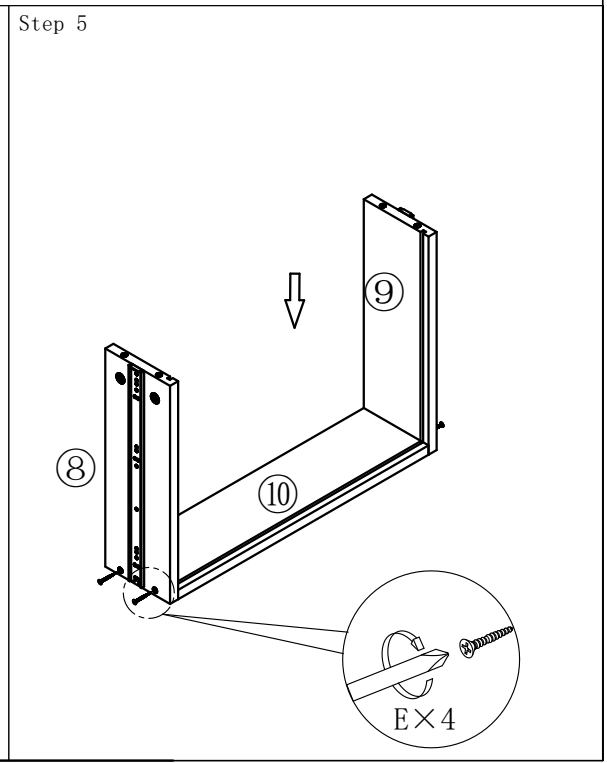
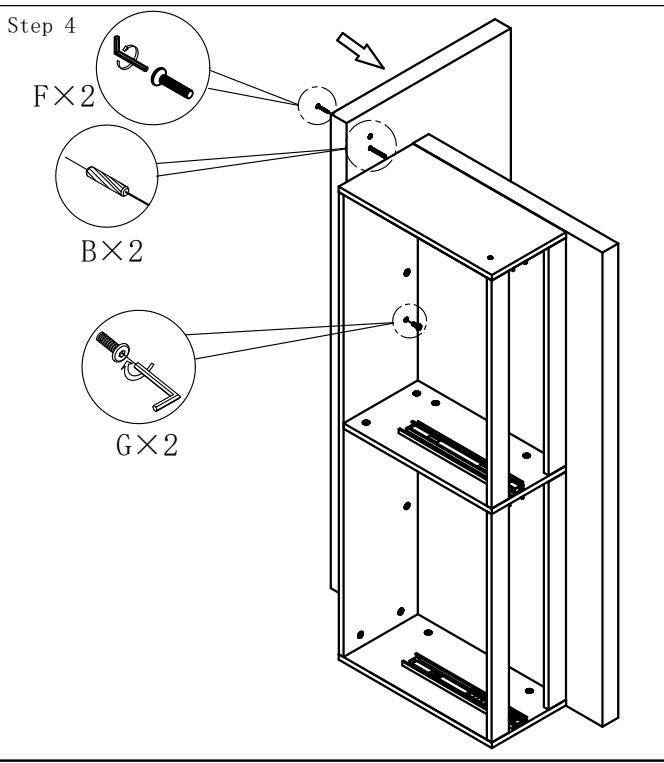
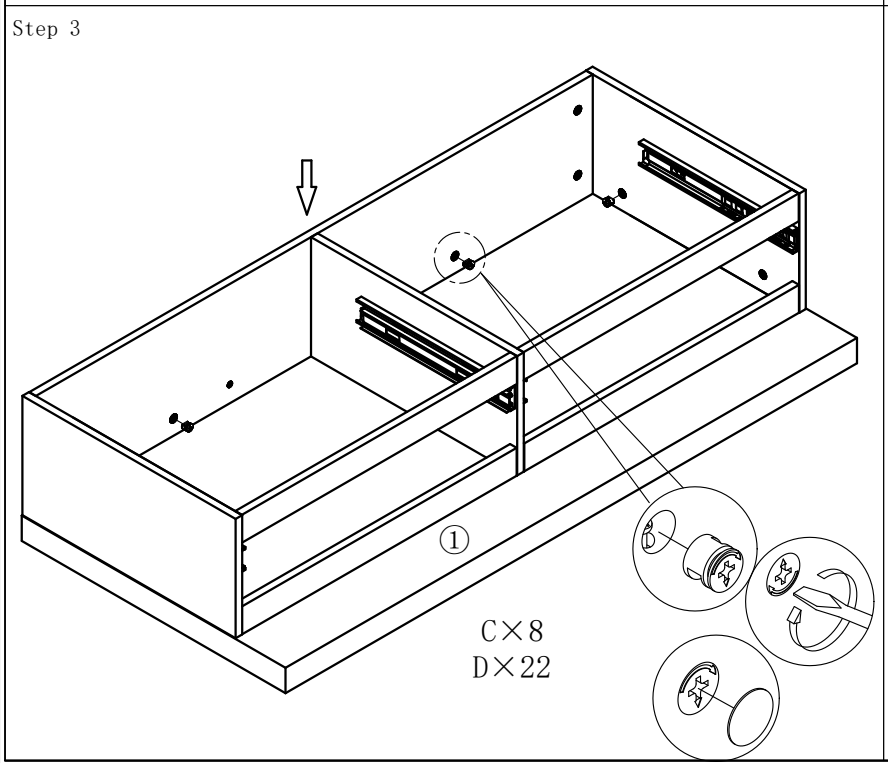
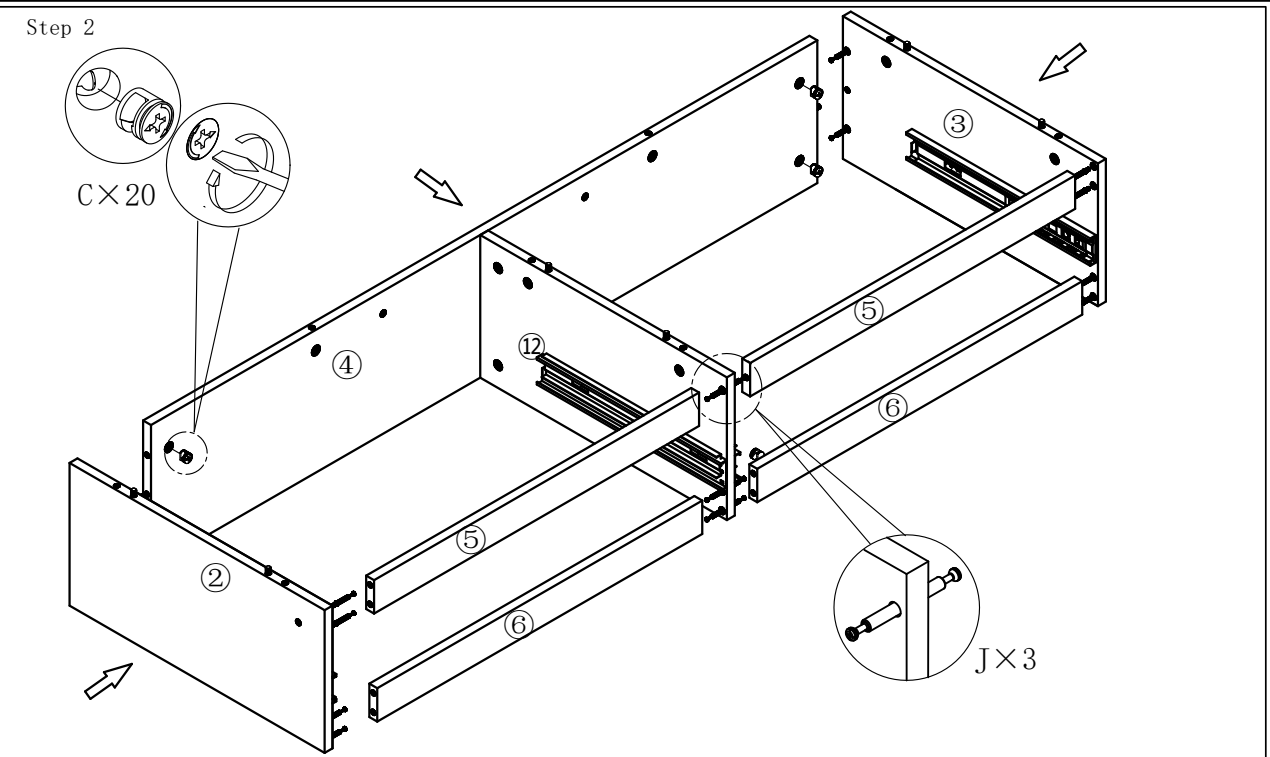
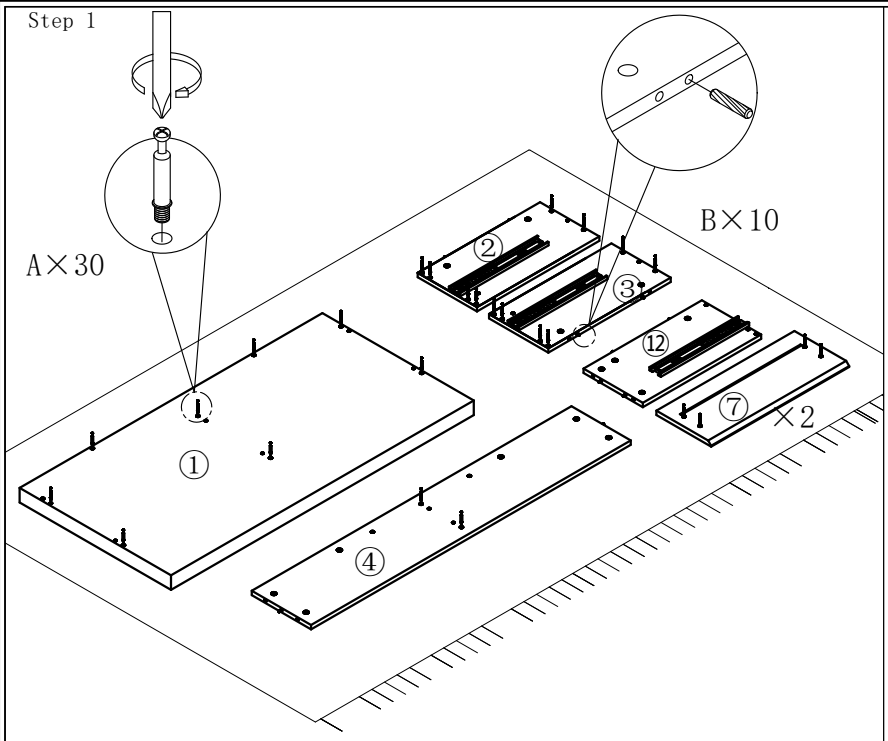
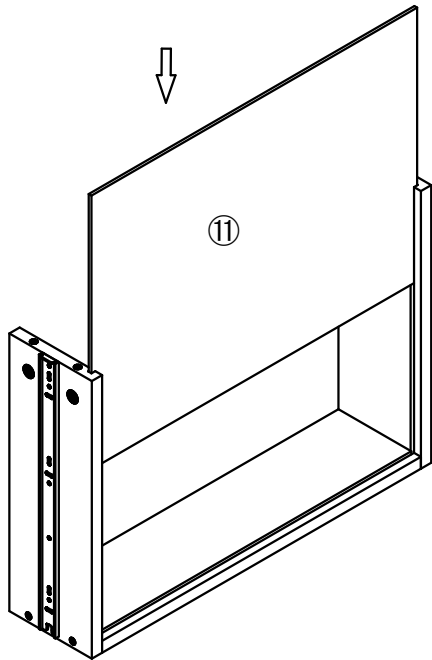


① 1×	② 1×	③ 1×	④ 1×	A. Cam pin 30+1×	B. Dowel 12+1×				
⑤ 2×	⑥ 2×	⑦ 2×	⑧ 2×	C. Cam Lock 36+1×	D. Cam cover 44+1×				
⑨ 2×	⑩ 2×	⑪ 2×	⑫ 1×	E. Screw 8×	F. Bolt (8*60) 2×				
⑬ 1×	⑭ 1×	⑮ 2×	⑯ 2×	G. Bolt (8*30) 2×	H. Screwdriver 1×				
				I. Anti-collision Angle protection 2×	J. Double connecting rod 3×				
				K. Hexagonal wrench 1×	L. Sheet iron 1×				
				M. Wood screw 6+1×	N. Bolt (6*20) 1×				
				O. Nut 1×					
				<table border="1"> <tbody> <tr> <td>MODEL :</td> <td>QTY-GFS901-2</td> </tr> <tr> <td>SIZE :</td> <td>1300W*750D*900H</td> </tr> </tbody> </table>		MODEL :	QTY-GFS901-2	SIZE :	1300W*750D*900H
MODEL :	QTY-GFS901-2								
SIZE :	1300W*750D*900H								

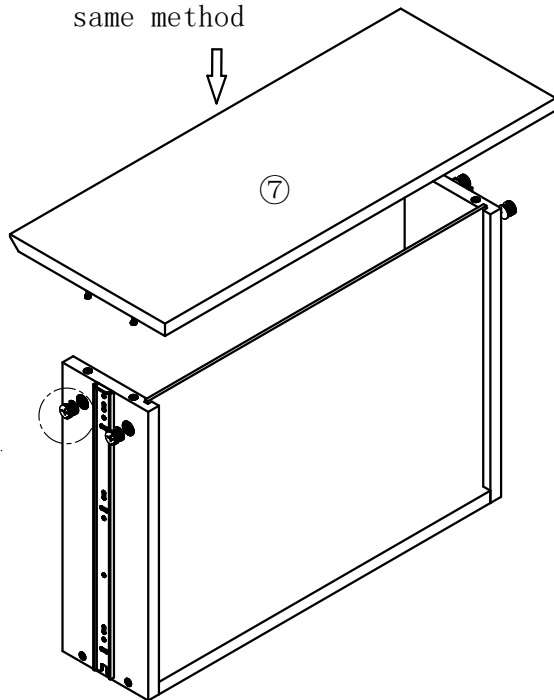


Step 6

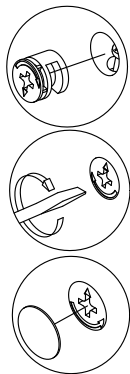


Step 7

Note: The other drawer has the same method

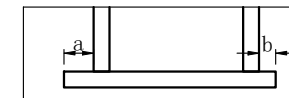


C×4
D×4

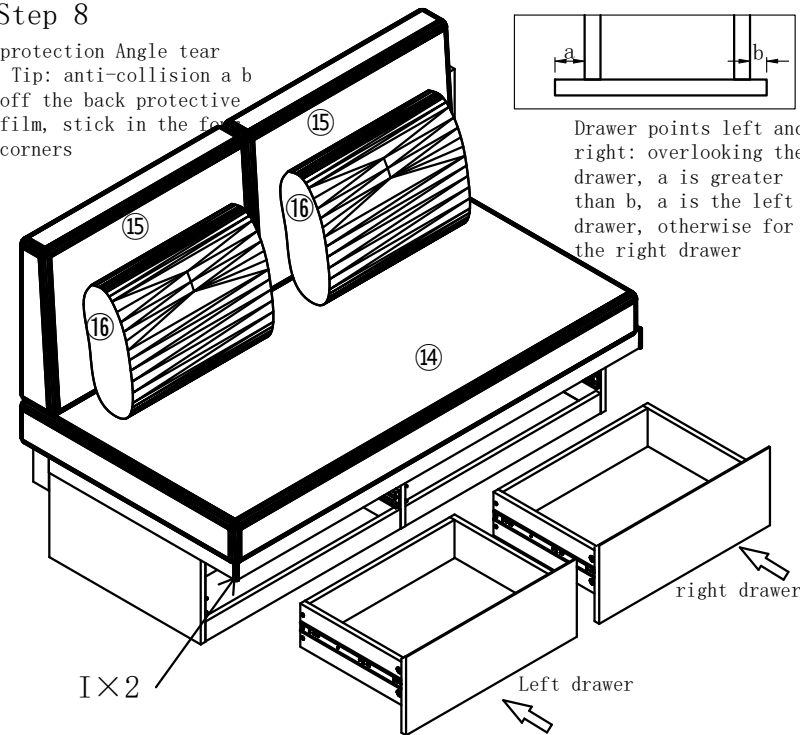


Step 8

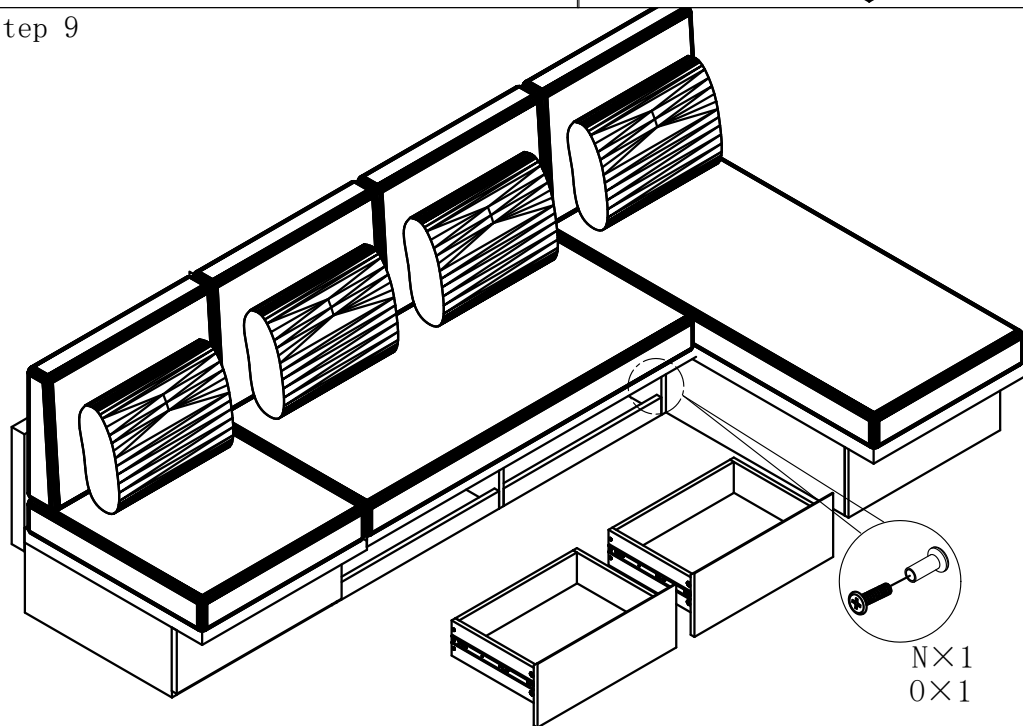
protection Angle tear
Tip: anti-collision a b
off the back protective
film, stick in the for
corners



Drawer points left and
right: overlooking the
drawer, a is greater
than b, a is the left
drawer, otherwise for
the right drawer

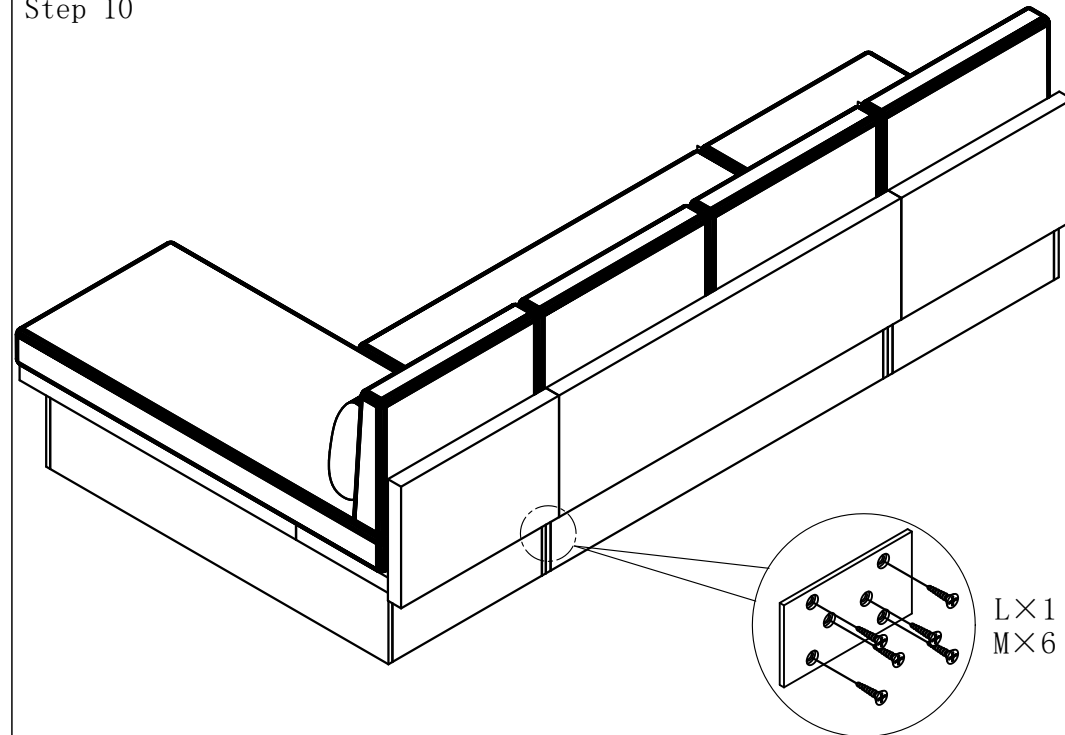


Step 9



N×1
O×1

Step 10



L×1
M×6