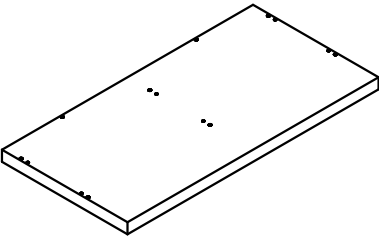
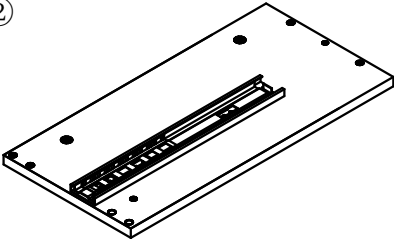
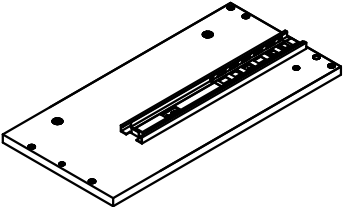
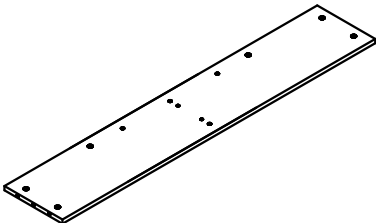

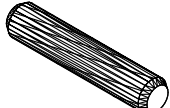
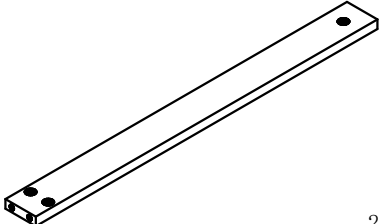
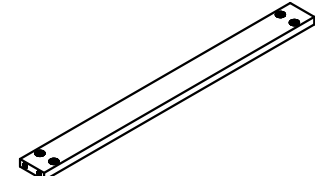
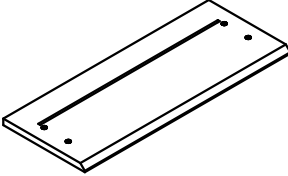
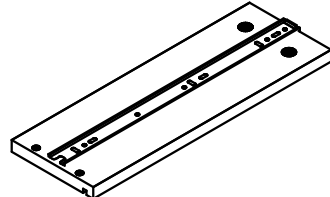


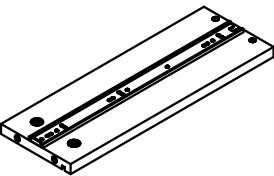
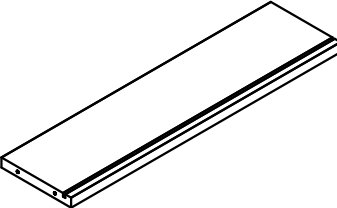
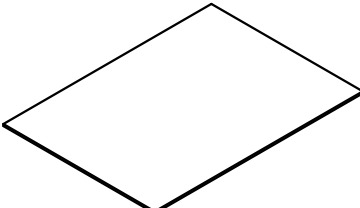
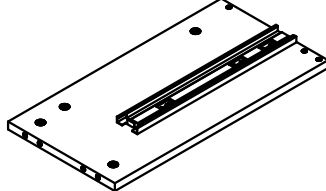
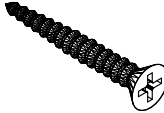

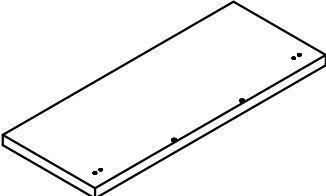
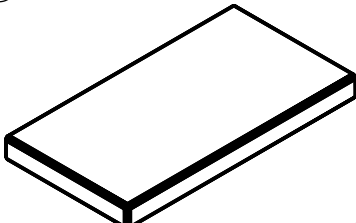
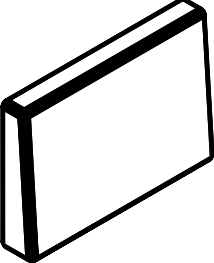
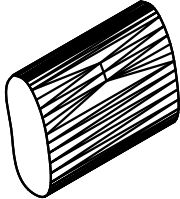

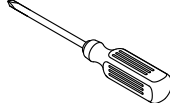
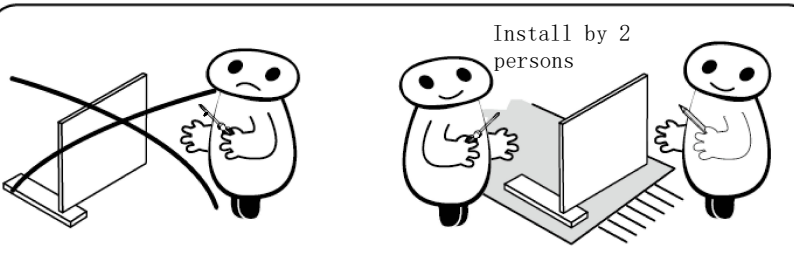

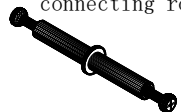

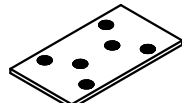
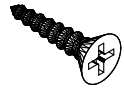

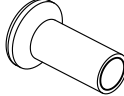
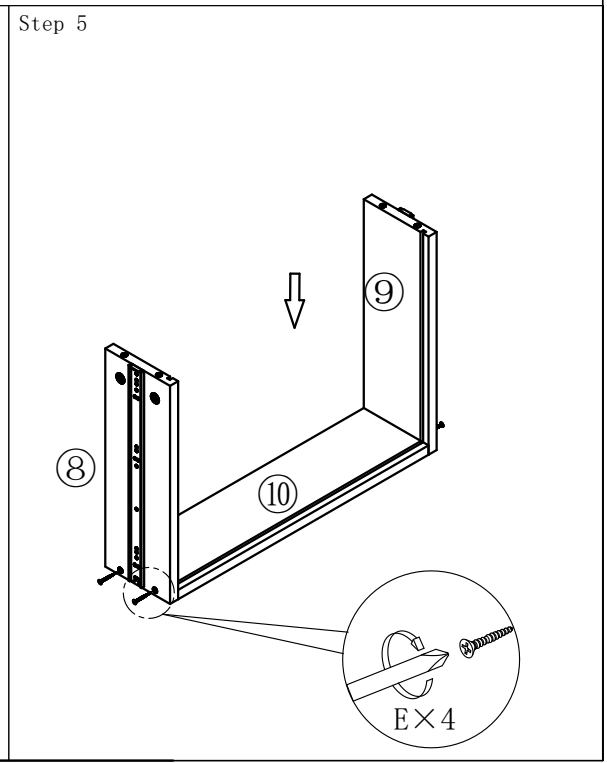
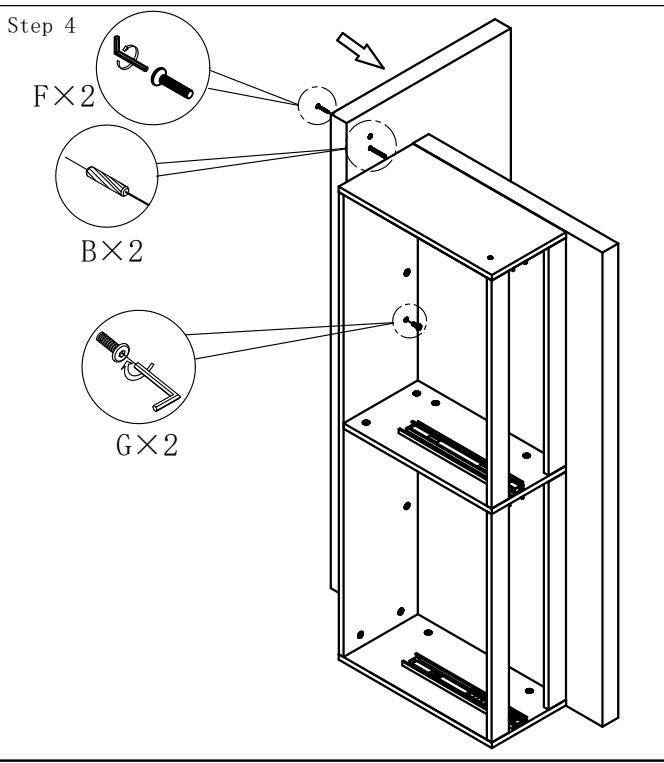
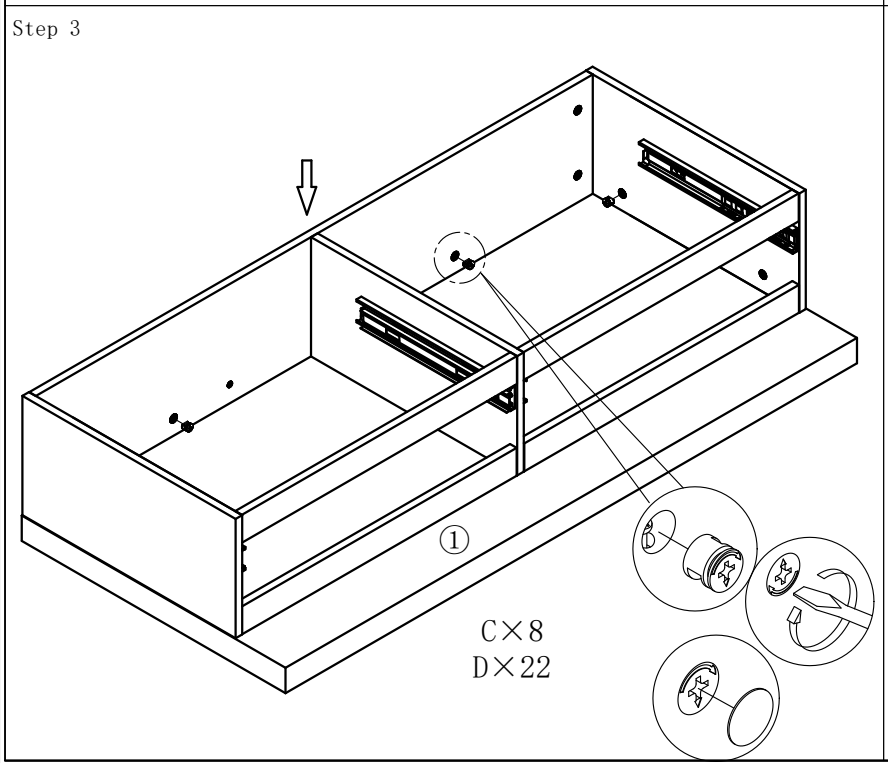
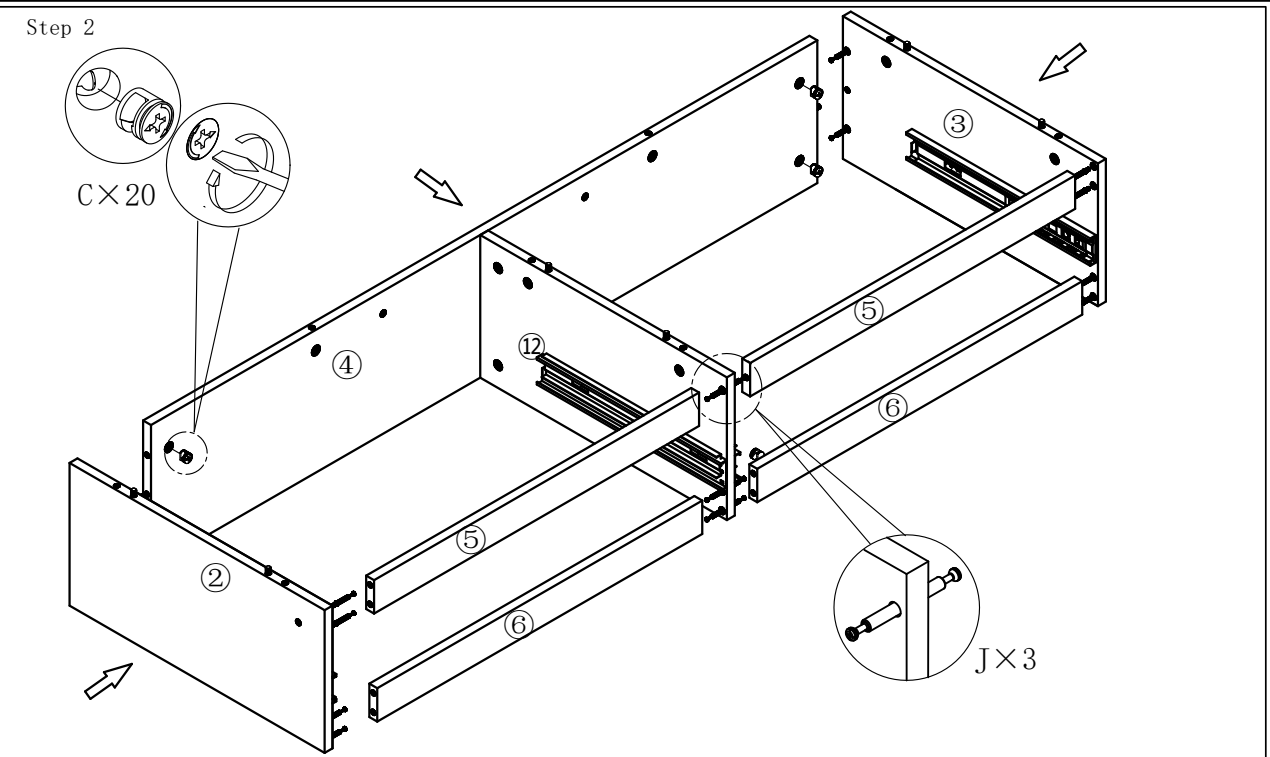
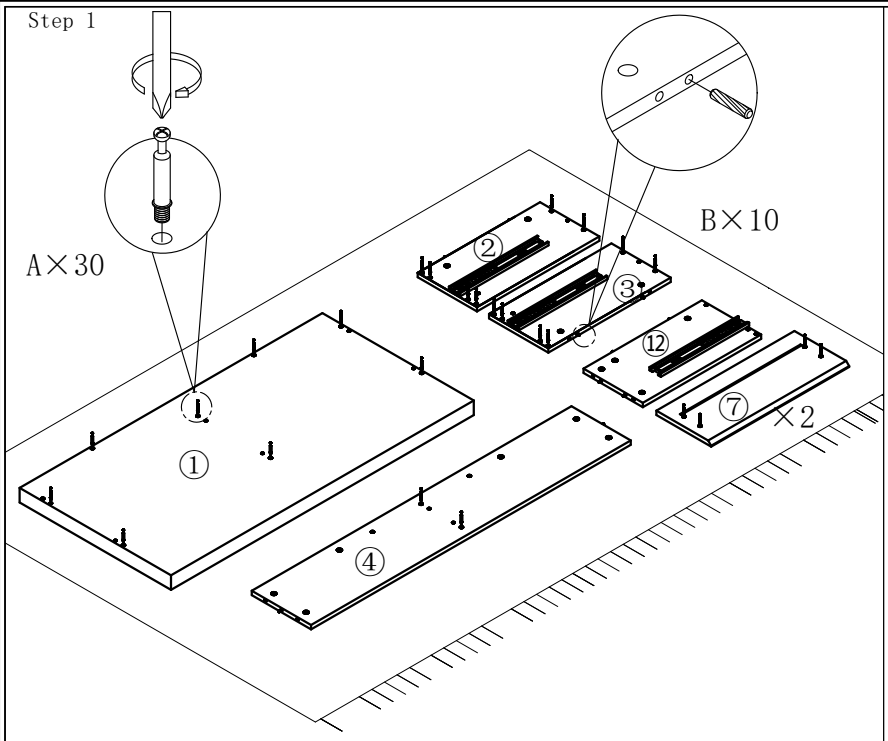
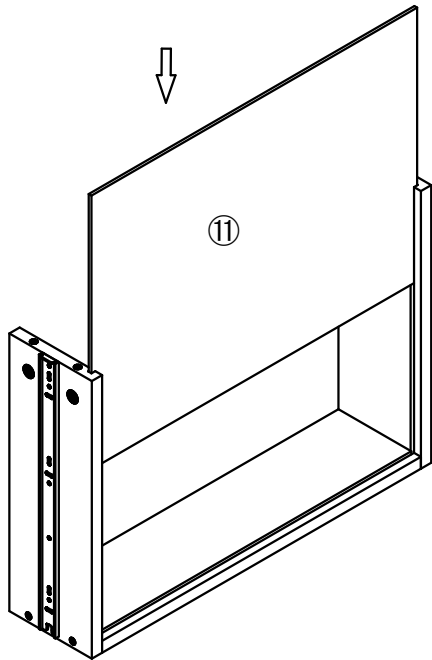


①  1×	②  1×	③  1×	④  1×	A. Cam pin  30+1×	B. Dowel  12+1×
⑤  2×	⑥  2×	⑦  2×	⑧  2×	C. Cam Lock  36+1×	D. Cam cover  44+1×
⑨  2×	⑩  2×	⑪  2×	⑫  1×	E. Screw  8×	F. Bolt (8*60)  2×
⑬  1×	⑭  1×	⑮  2×	⑯  2×	G. Bolt (8*30)  2×	H. Screwdriver  1×
 <p>Install by 2 persons</p>				I. Anti-collision Angle protection  2×	J. Double connecting rod  3×
				K. Hexagonal wrench  1×	L. Sheet iron  1×
				M. Wood screw  6+1×	N. Bolt (6*20)  1×
				O. Nut  1×	
				<p>MODEL : QTY-GFS901-2</p> <p>SIZE : 1300W*750D*900H</p>	

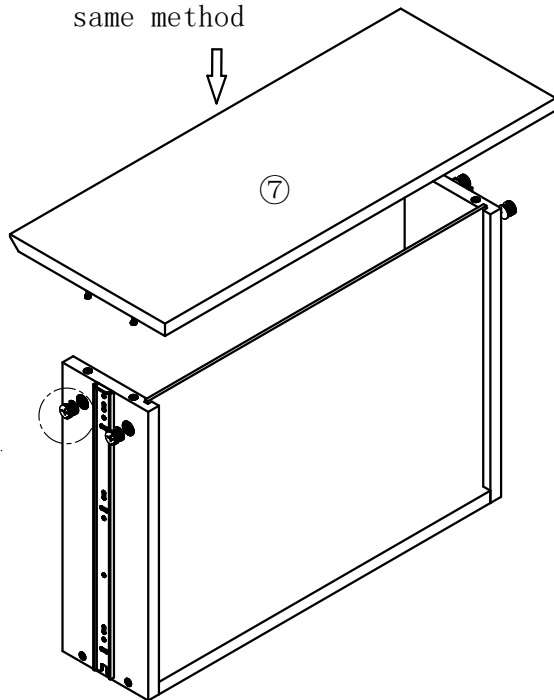


Step 6

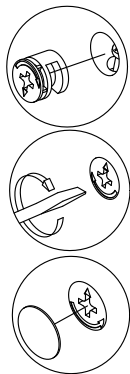


Step 7

Note: The other drawer has the same method

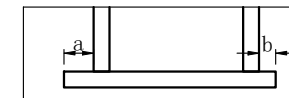


C×4  
D×4

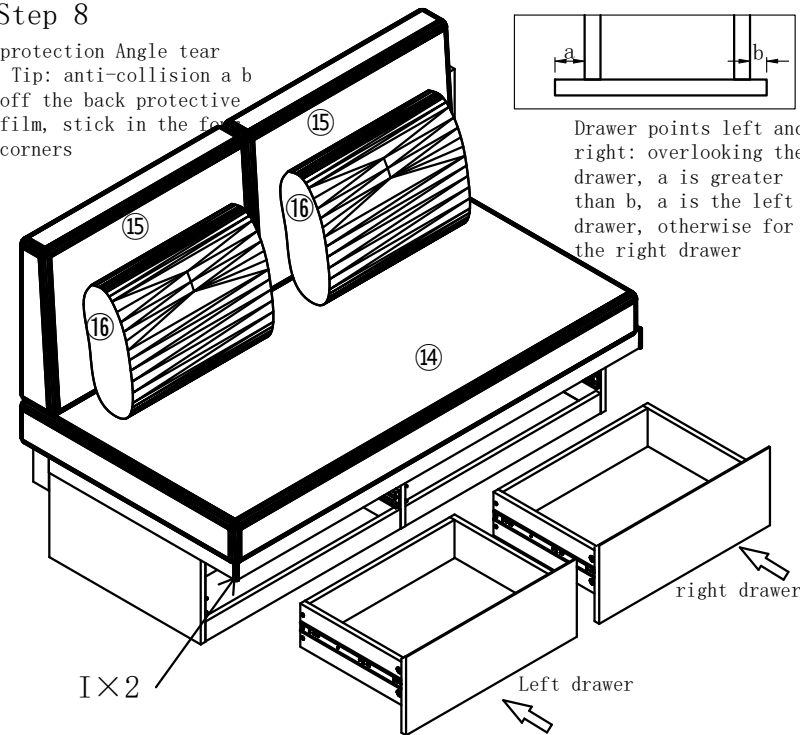


Step 8

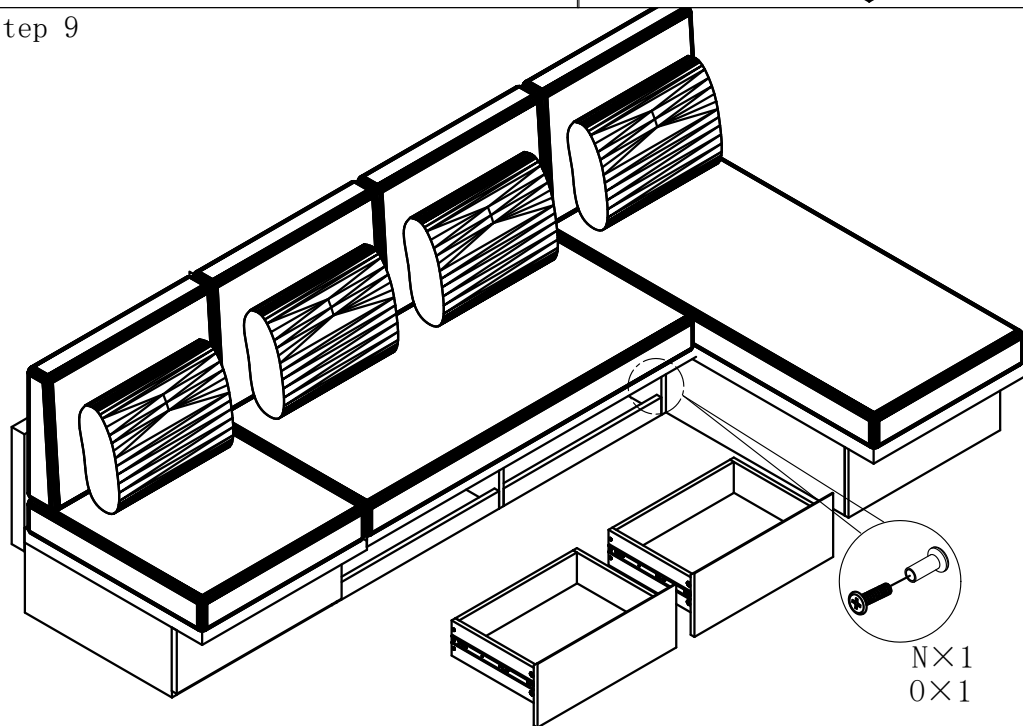
protection Angle tear  
Tip: anti-collision a b  
off the back protective  
film, stick in the for  
corners



Drawer points left and  
right: overlooking the  
drawer, a is greater  
than b, a is the left  
drawer, otherwise for  
the right drawer

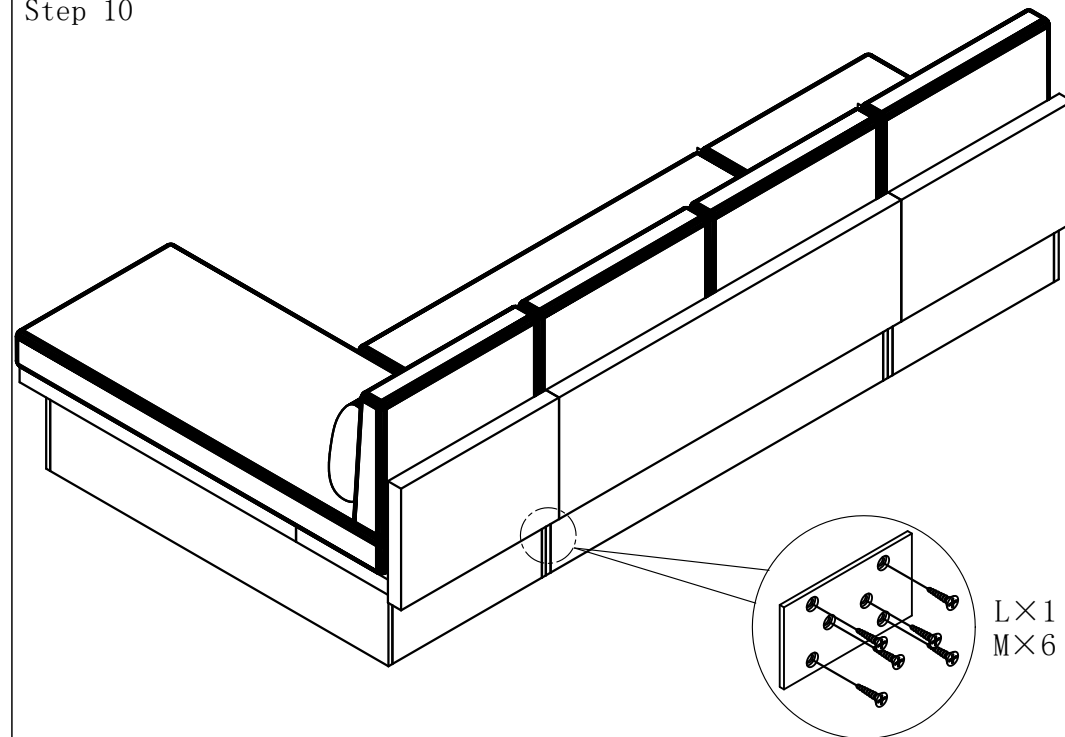


Step 9



N×1  
O×1

Step 10



L×1  
M×6