
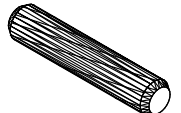
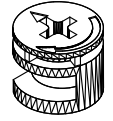
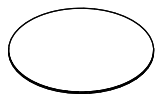
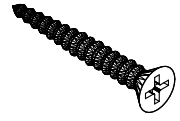


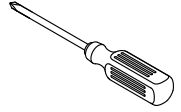


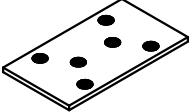
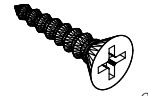

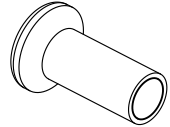
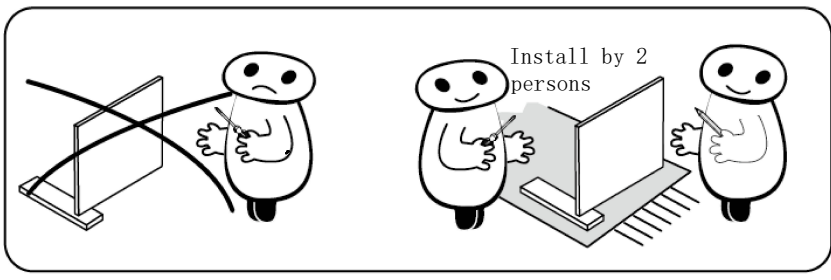
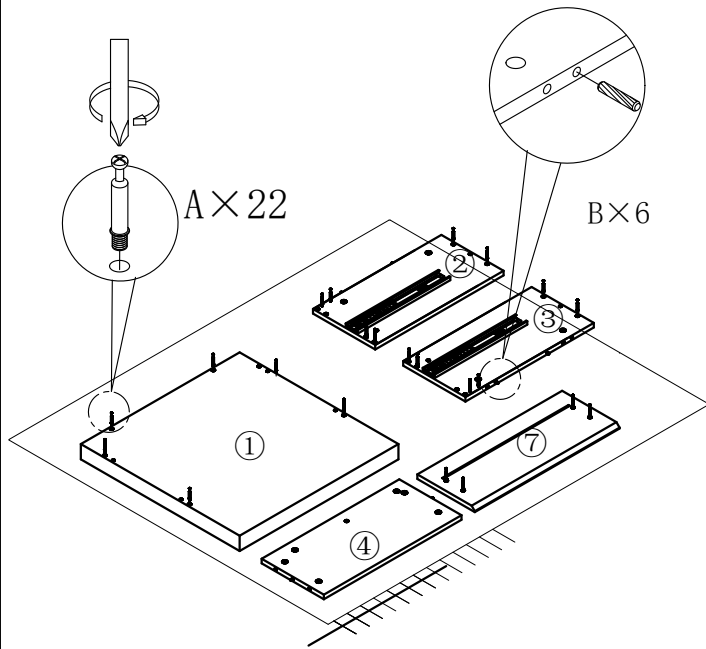


|   |  |
|---|--|
| A. Cam pin<br><br>22+1×                       | B. Dowel<br><br>8+1×           |
| C. Cam Lock<br><br>22+1×                     | D. Cam cover<br><br>27+1×     |
| E. Screw<br><br>4×                           | F. Bolt (8*30)<br><br>1×      |
| G. Bolt (8*60)<br><br>2×                     | H. Screwdriver<br><br>1×      |
| I. Anti-collision Angle protection<br><br>2× | K. Hexagonal wrench<br><br>1× |
| L. Sheet iron<br><br>1×                    | M. Wood screw<br><br>6+1×   |
| N. Bolt (6*20)<br><br>1×                   | O. Nut<br><br>1×            |

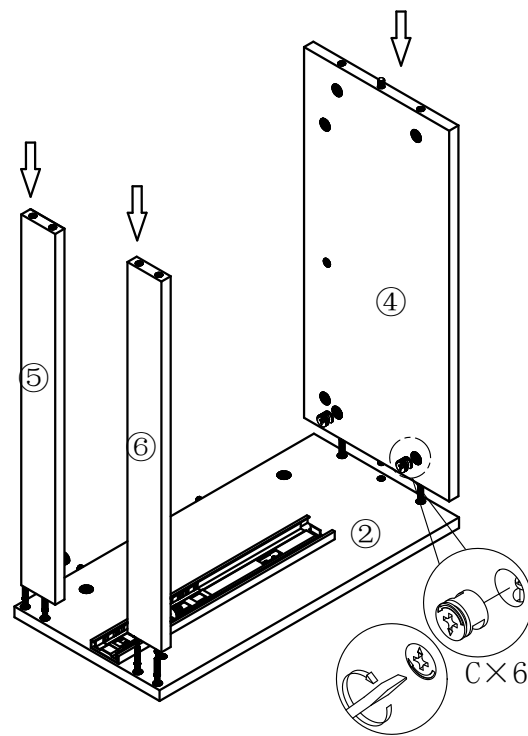


Model: QTY-GFS901-1  
Size: 650W\*750D\*900H

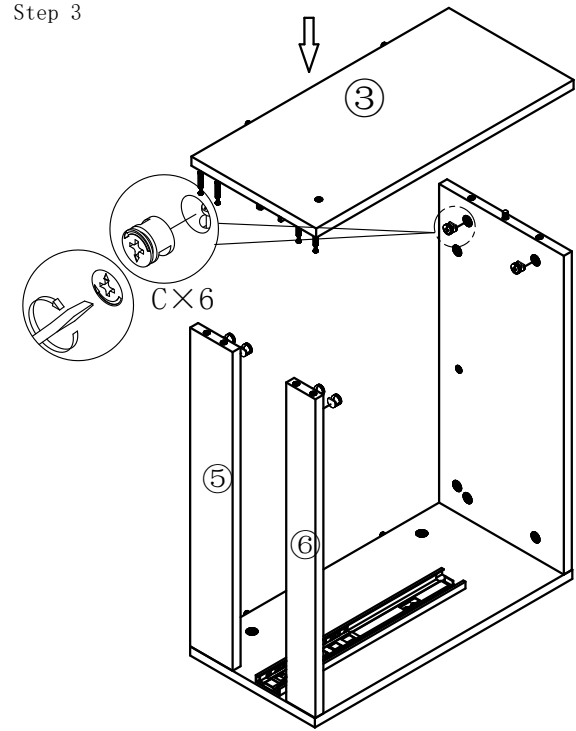
Step 1



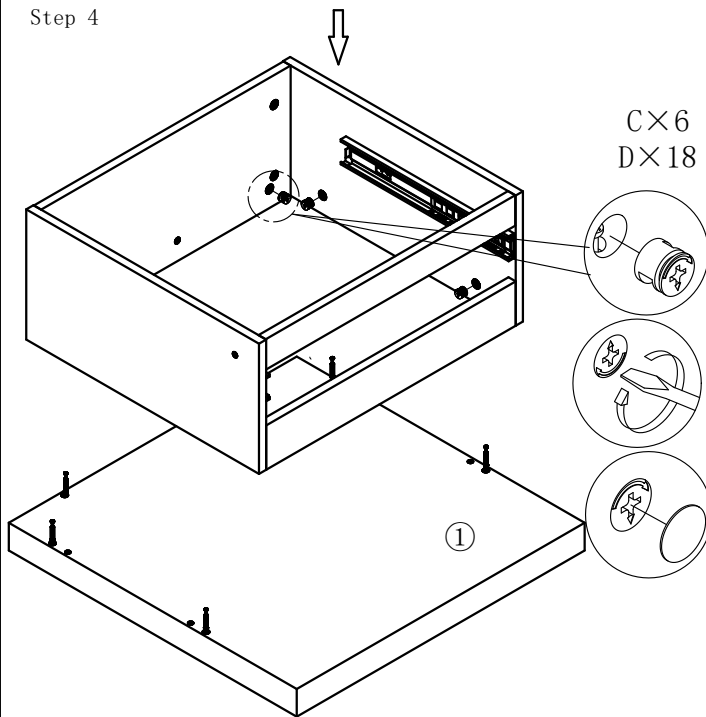
Step 2



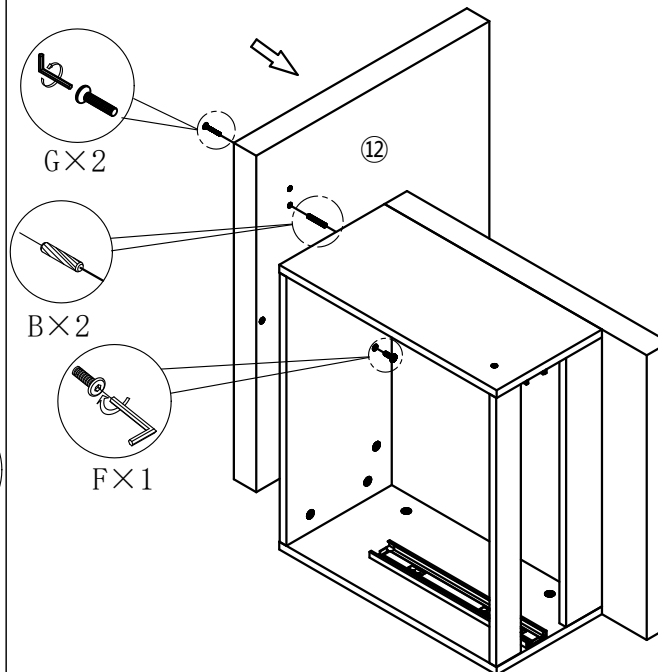
Step 3



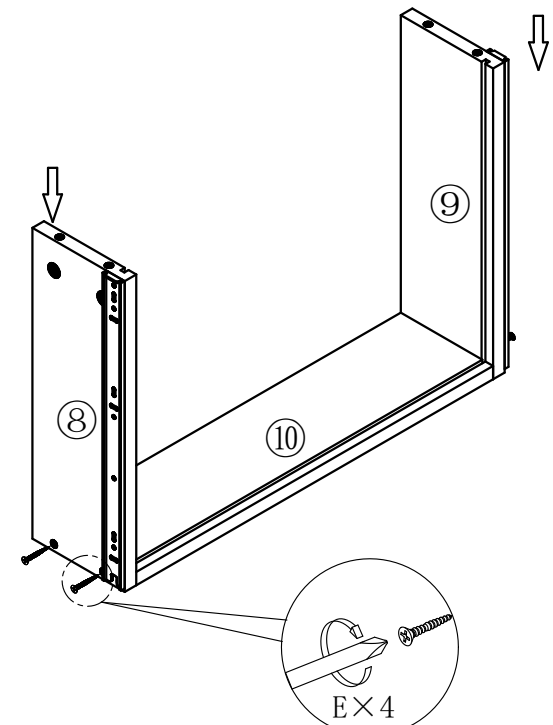
Step 4



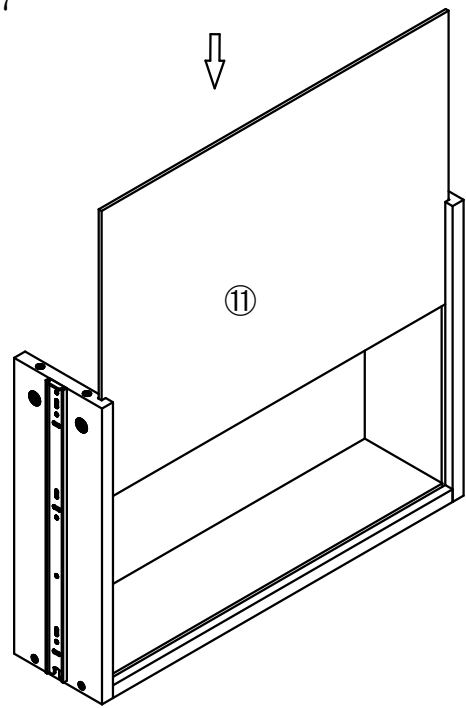
Step 5



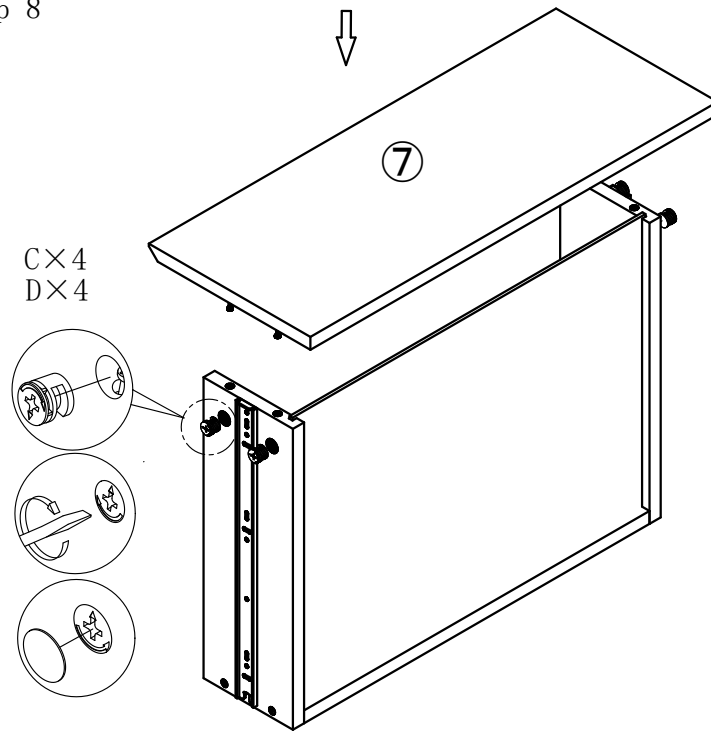
Step 6



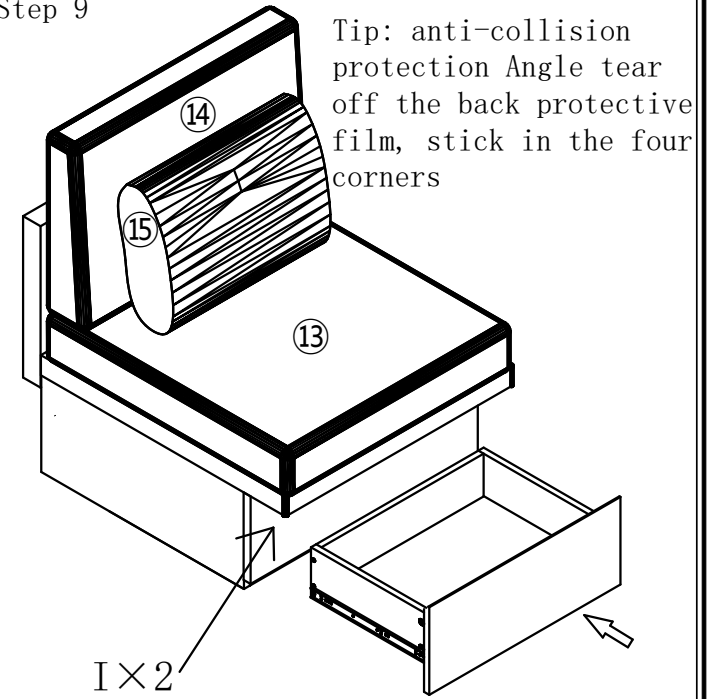
Step 7



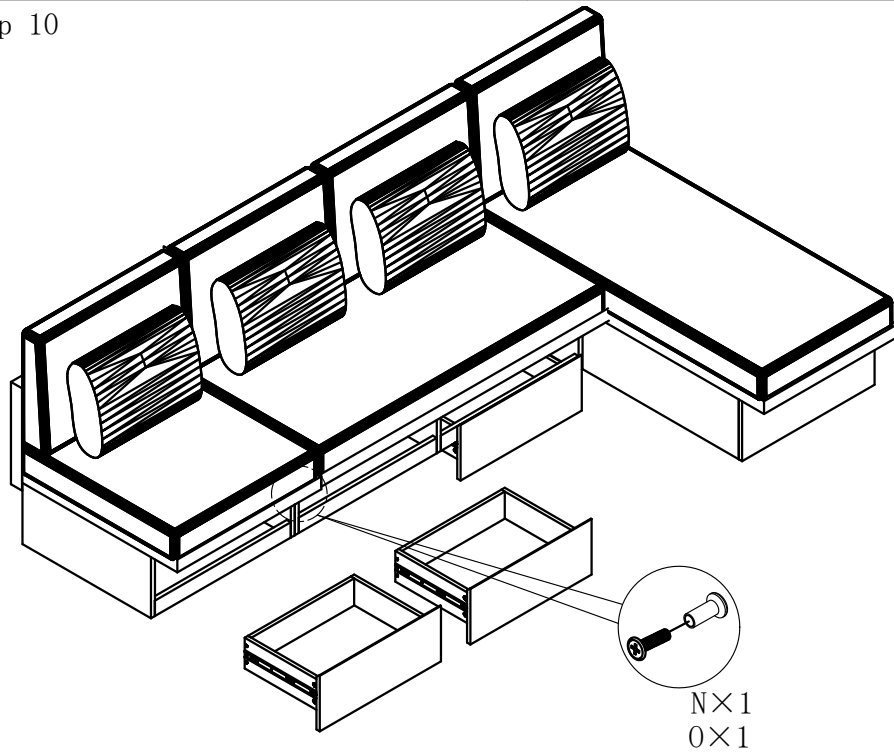
Step 8



Step 9



Step 10



Step 11

