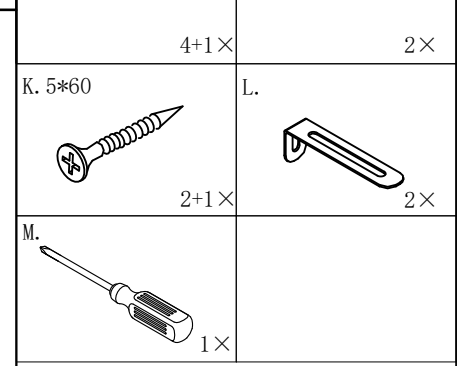
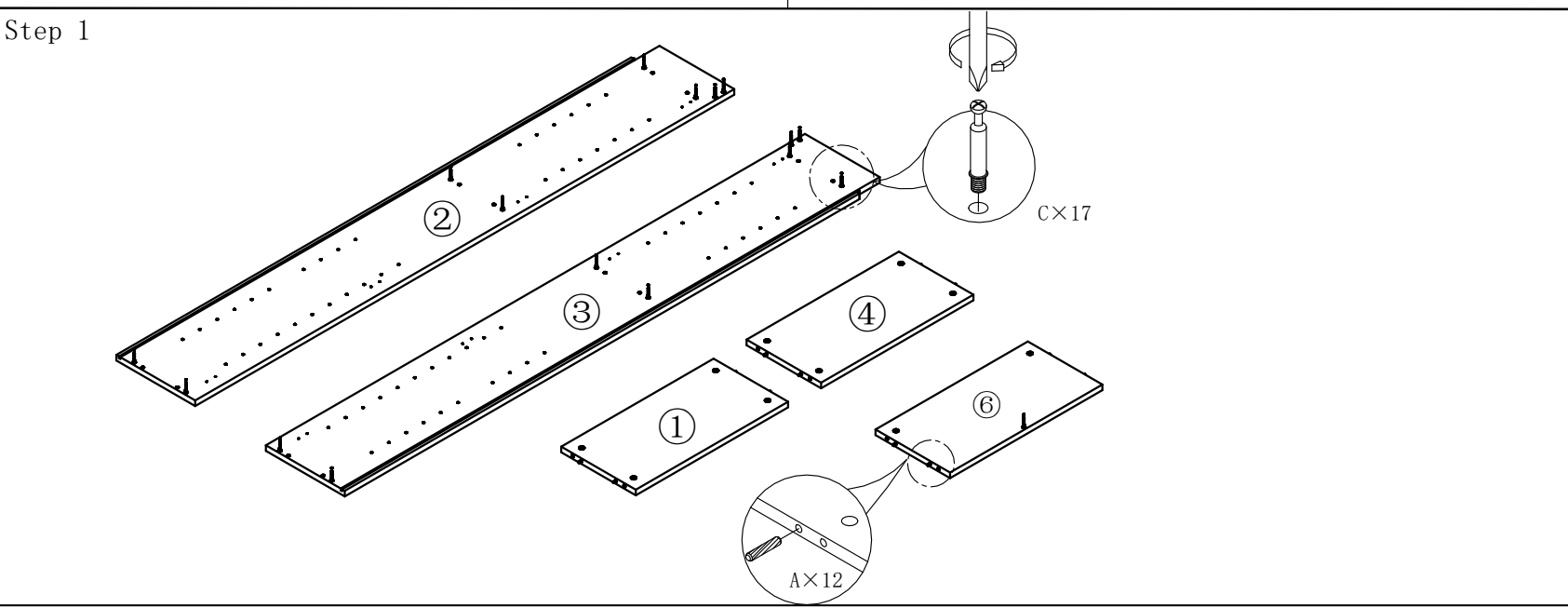
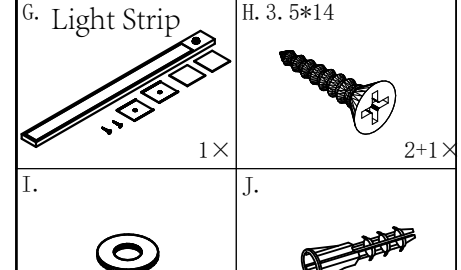
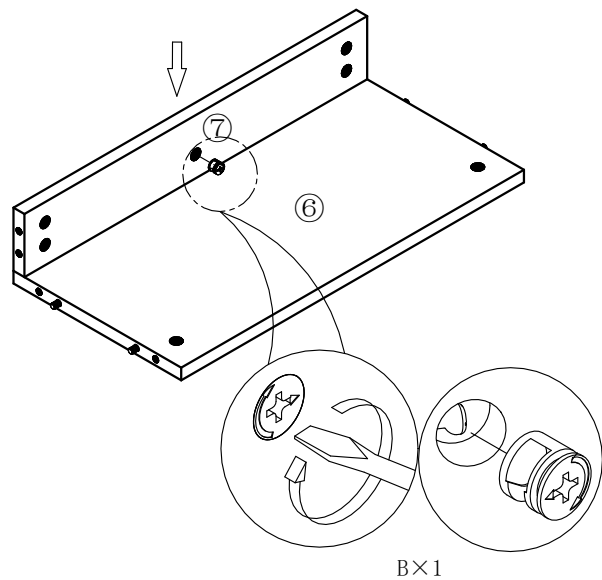


**Attention:**First of all, put a piece of carton or rug on the floor, and then begin to install the panels, so as to prevent the parts from scratch

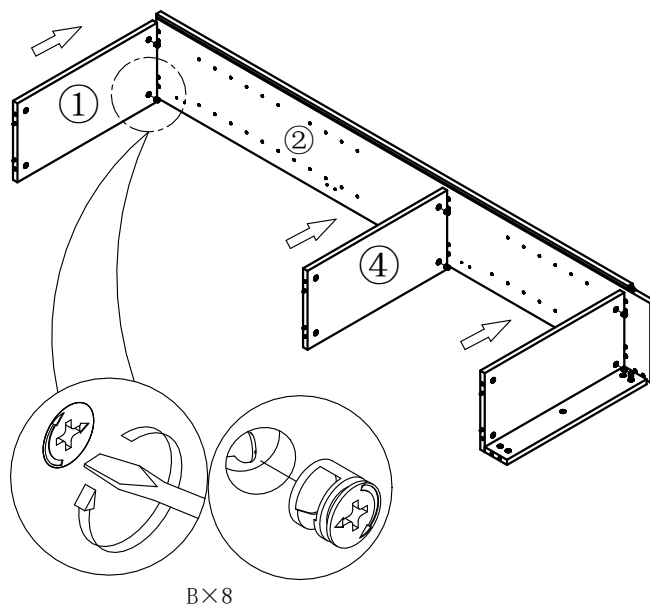


MODEL: GF797-0603  
 SIZE: 600\*292\*2000H

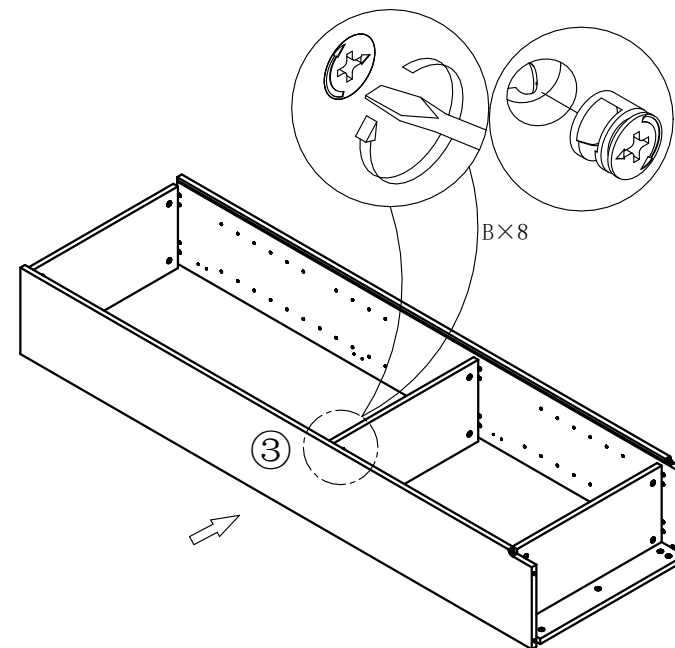
Step 2



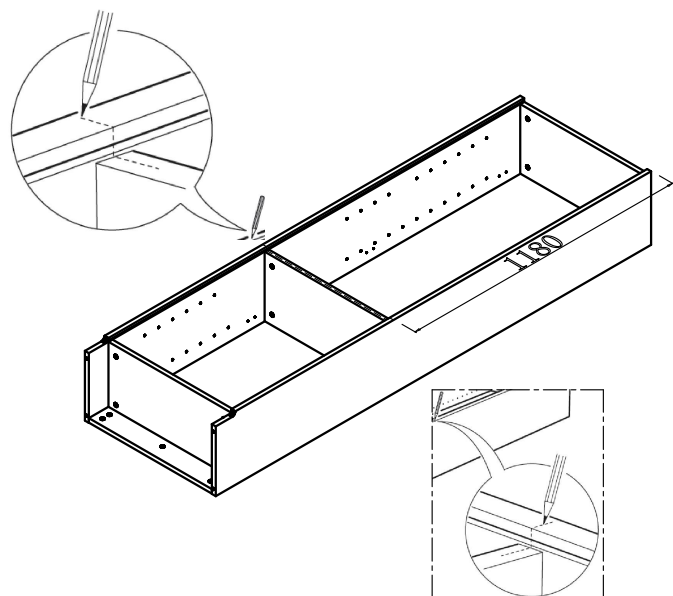
Step 3



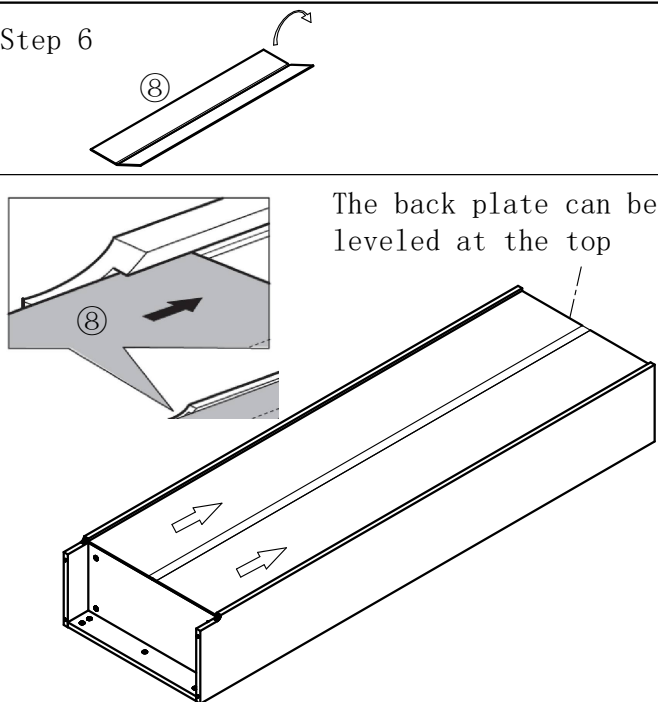
Step 4



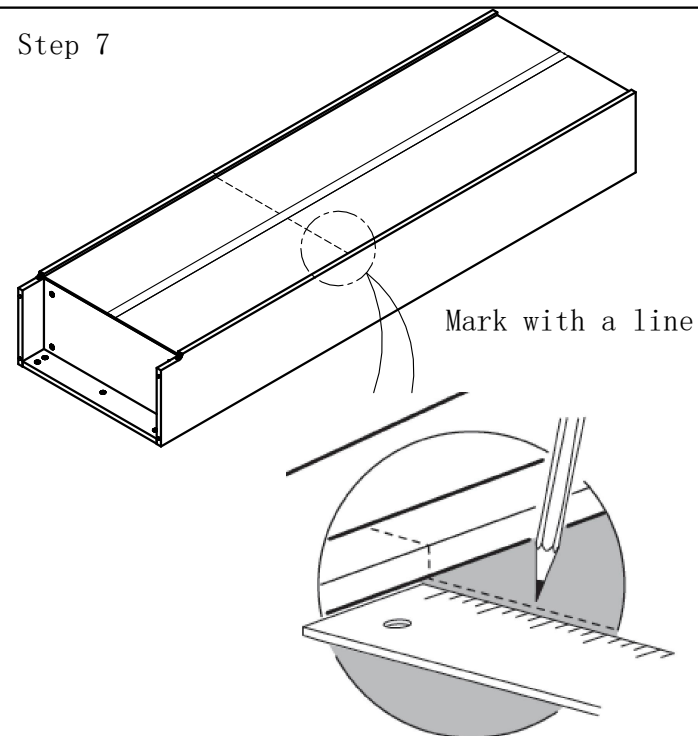
Step 5



Step 6

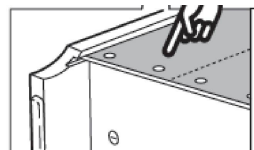
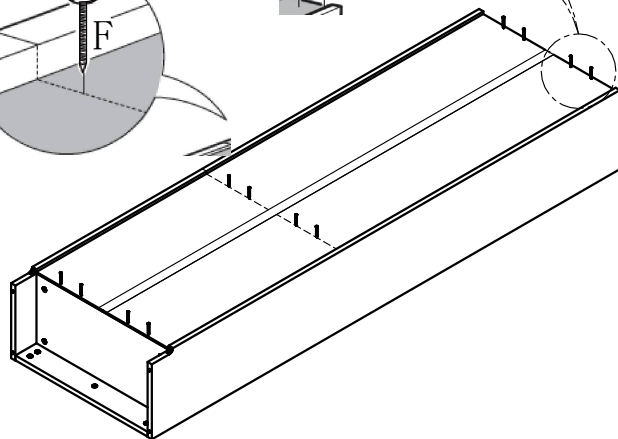
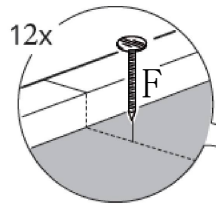


Step 7

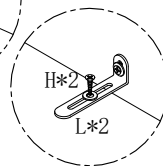
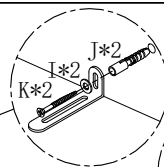
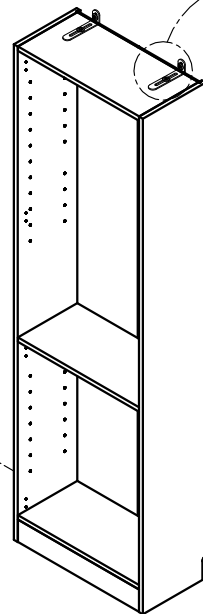


Step 8

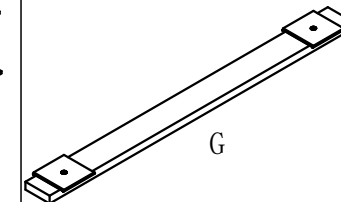
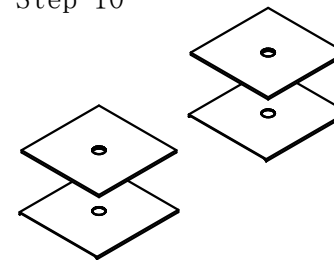
12x



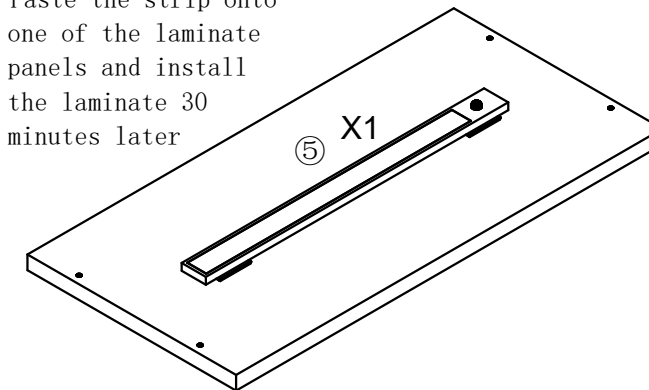
Step 9



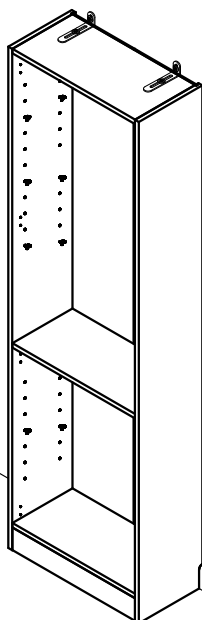
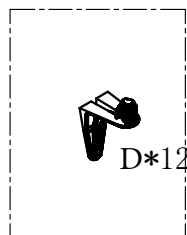
Step 10



Paste the strip onto one of the laminate panels and install the laminate 30 minutes later

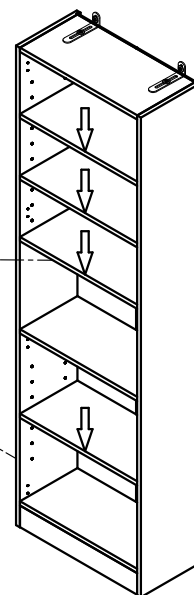


Step 11



Step 12

This laminate contains light strips



Step 13

