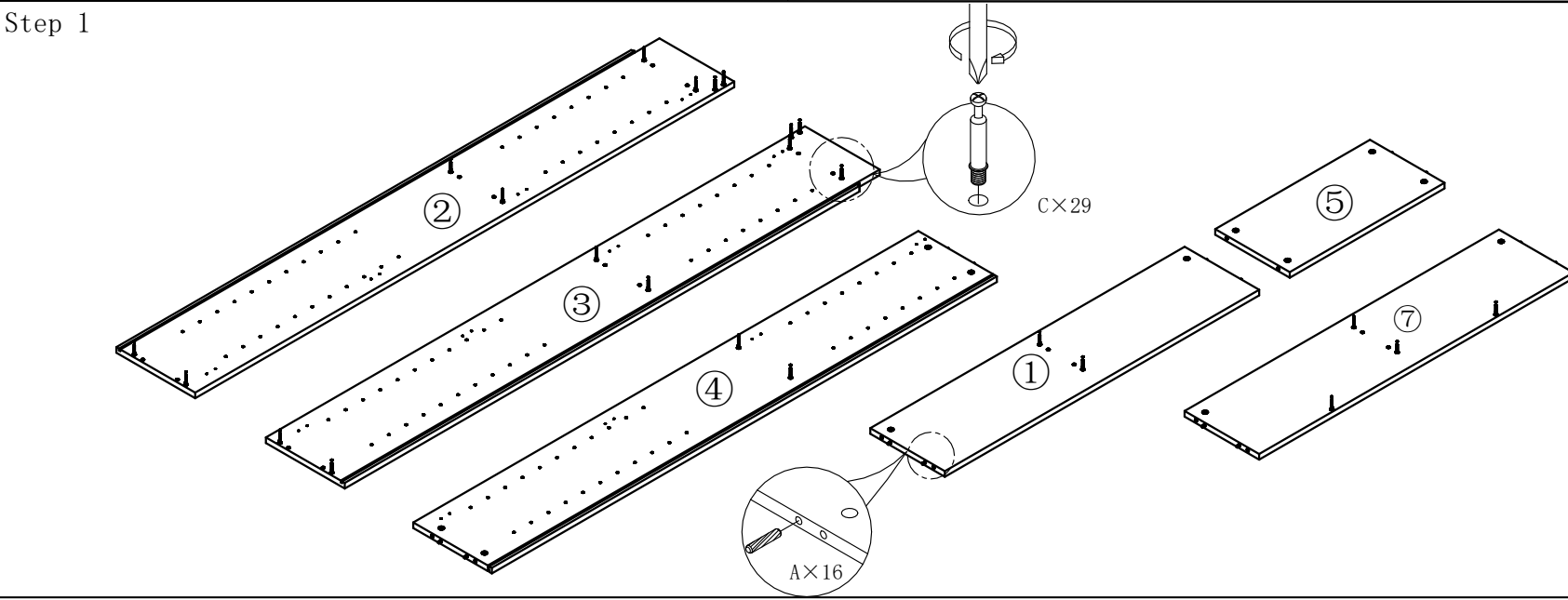
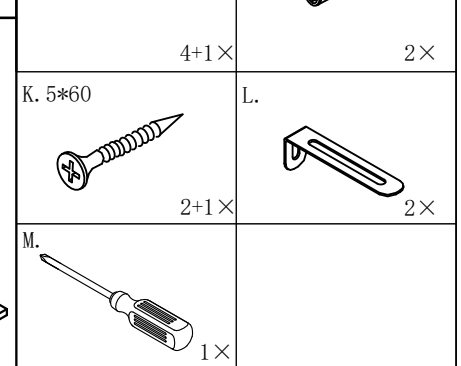
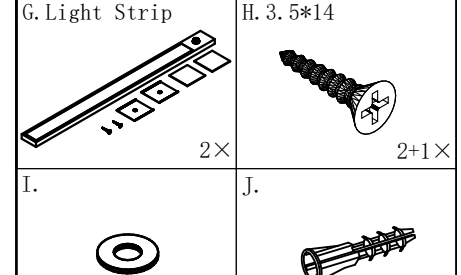
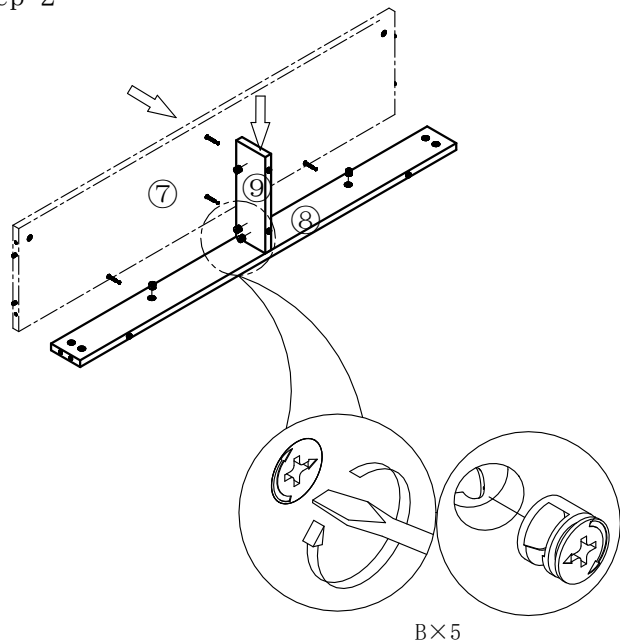


Attention: First of all, put a piece of carton or rug on the floor, and then begin to install the panels, so as to prevent the parts from scratch

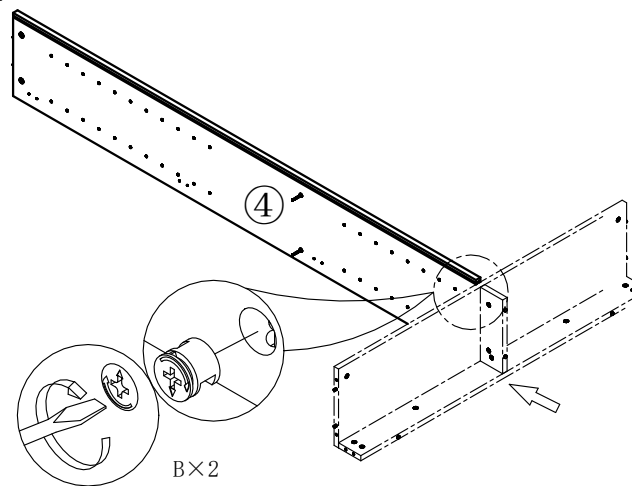


MODEL:	GF797-1203
SIZE:	1200*292*2000H

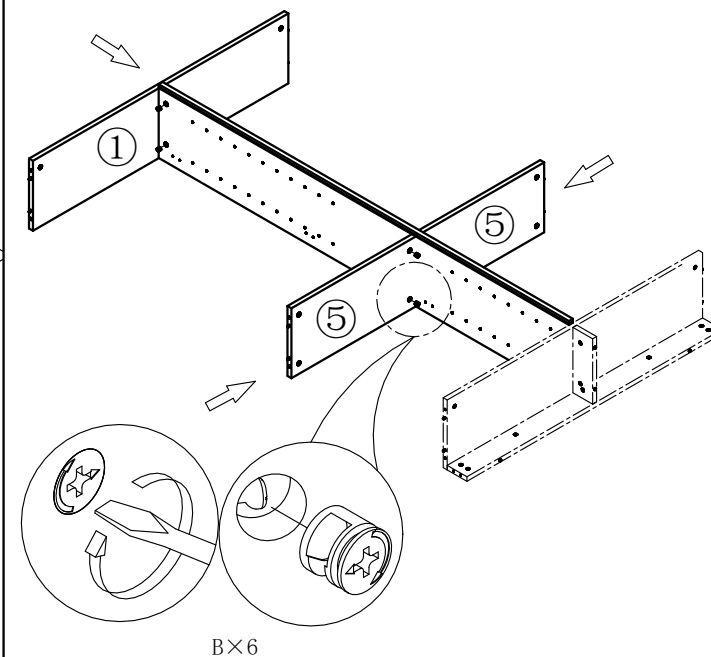
Step 2



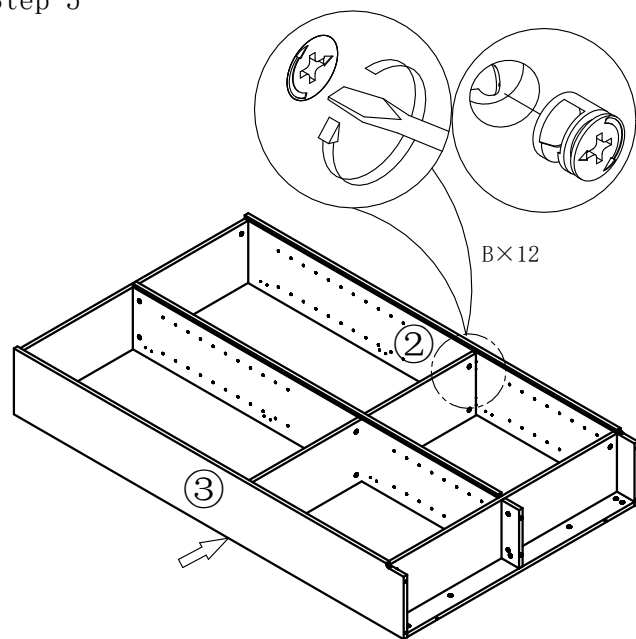
Step 3



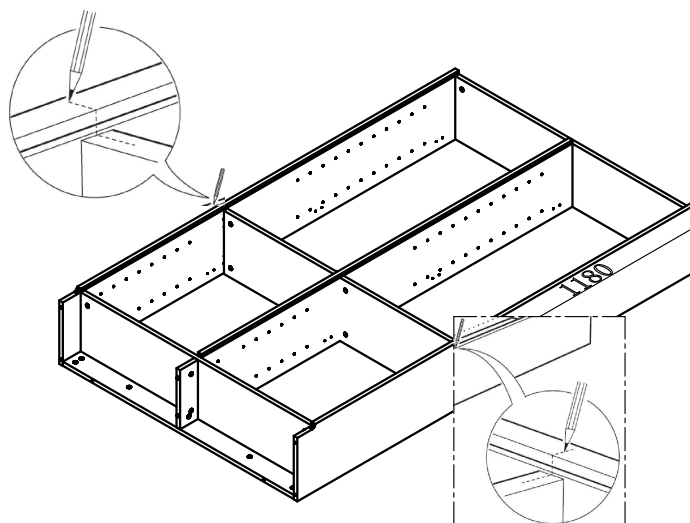
Step 4



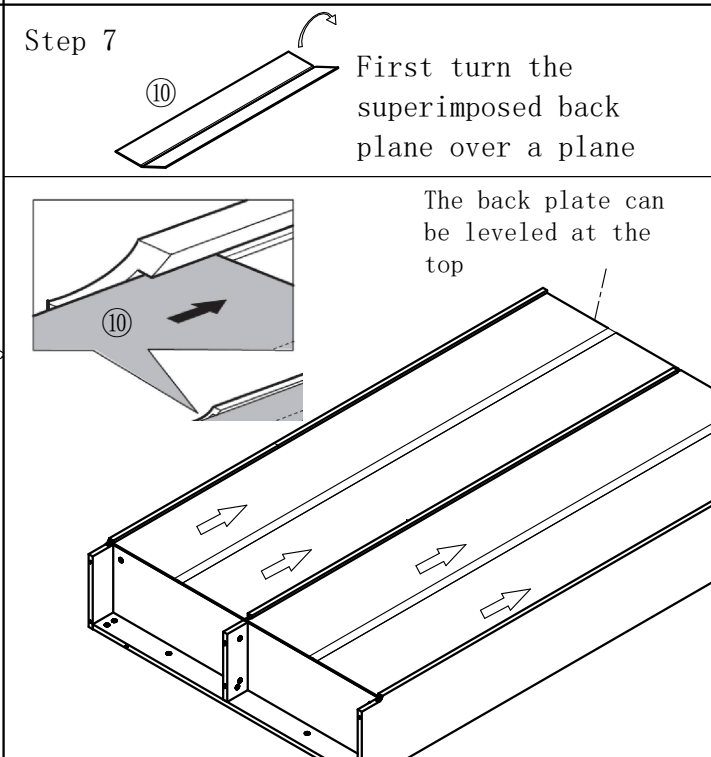
Step 5



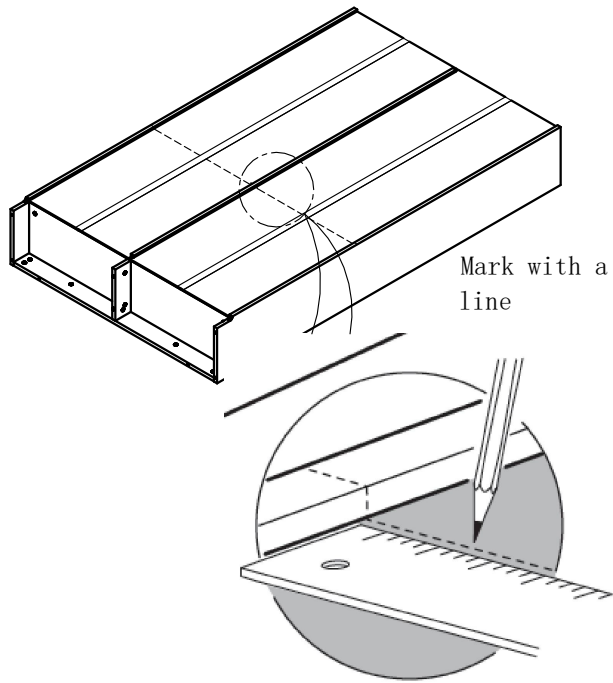
Step 6



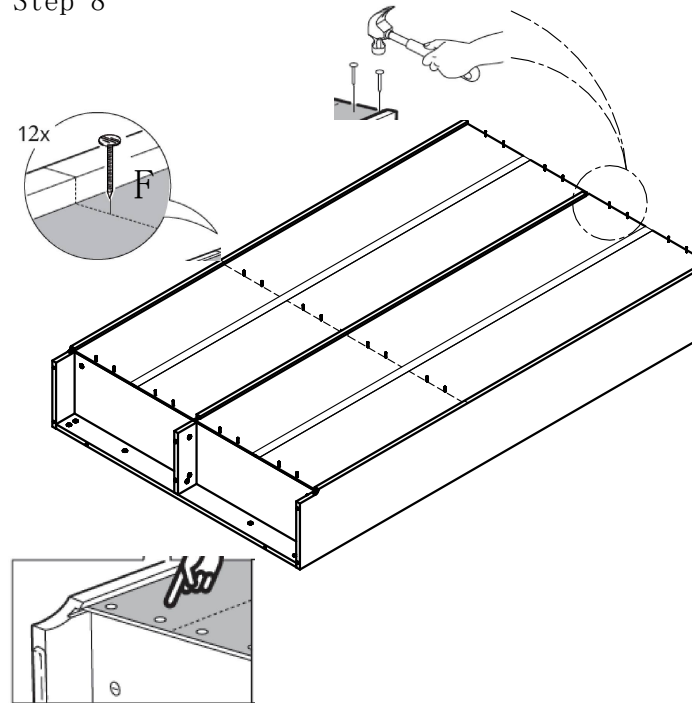
Step 7



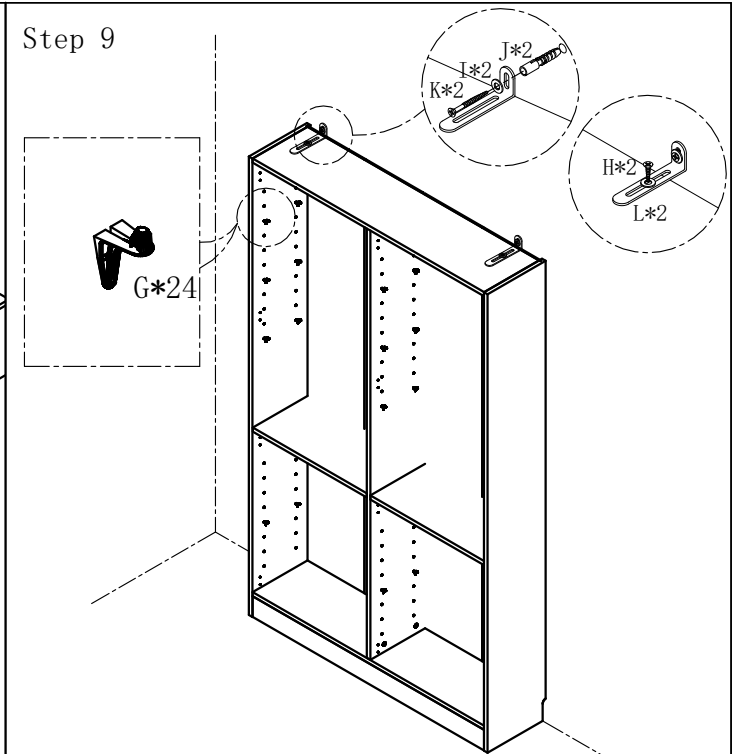
Step 7



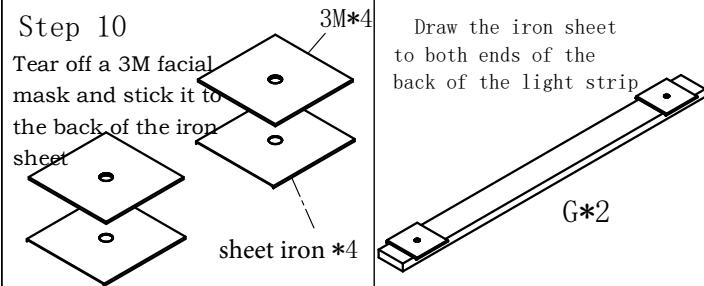
Step 8



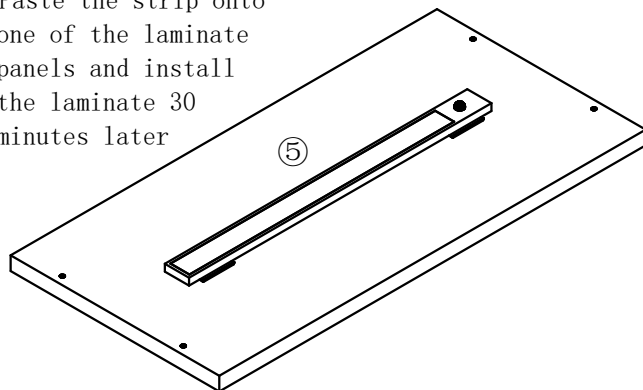
Step 9



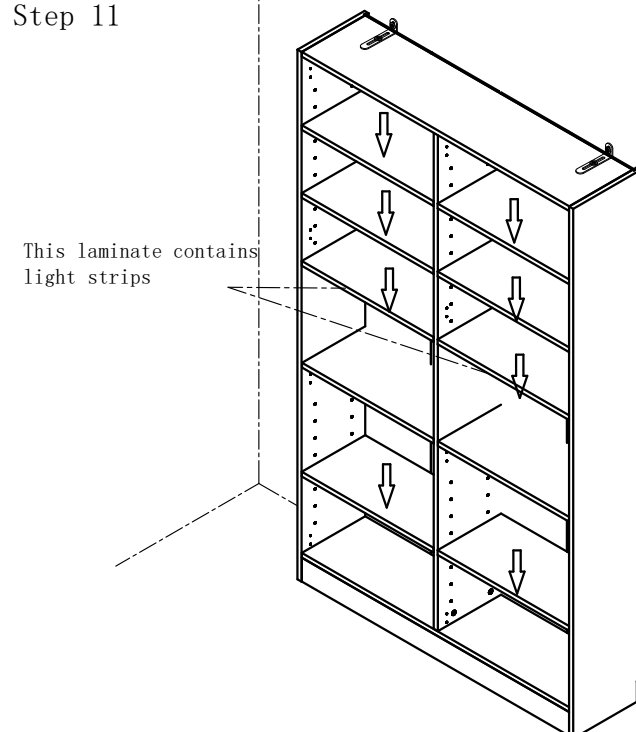
Step 10



Paste the strip onto one of the laminate panels and install the laminate 30 minutes later



Step 11



Step 12

