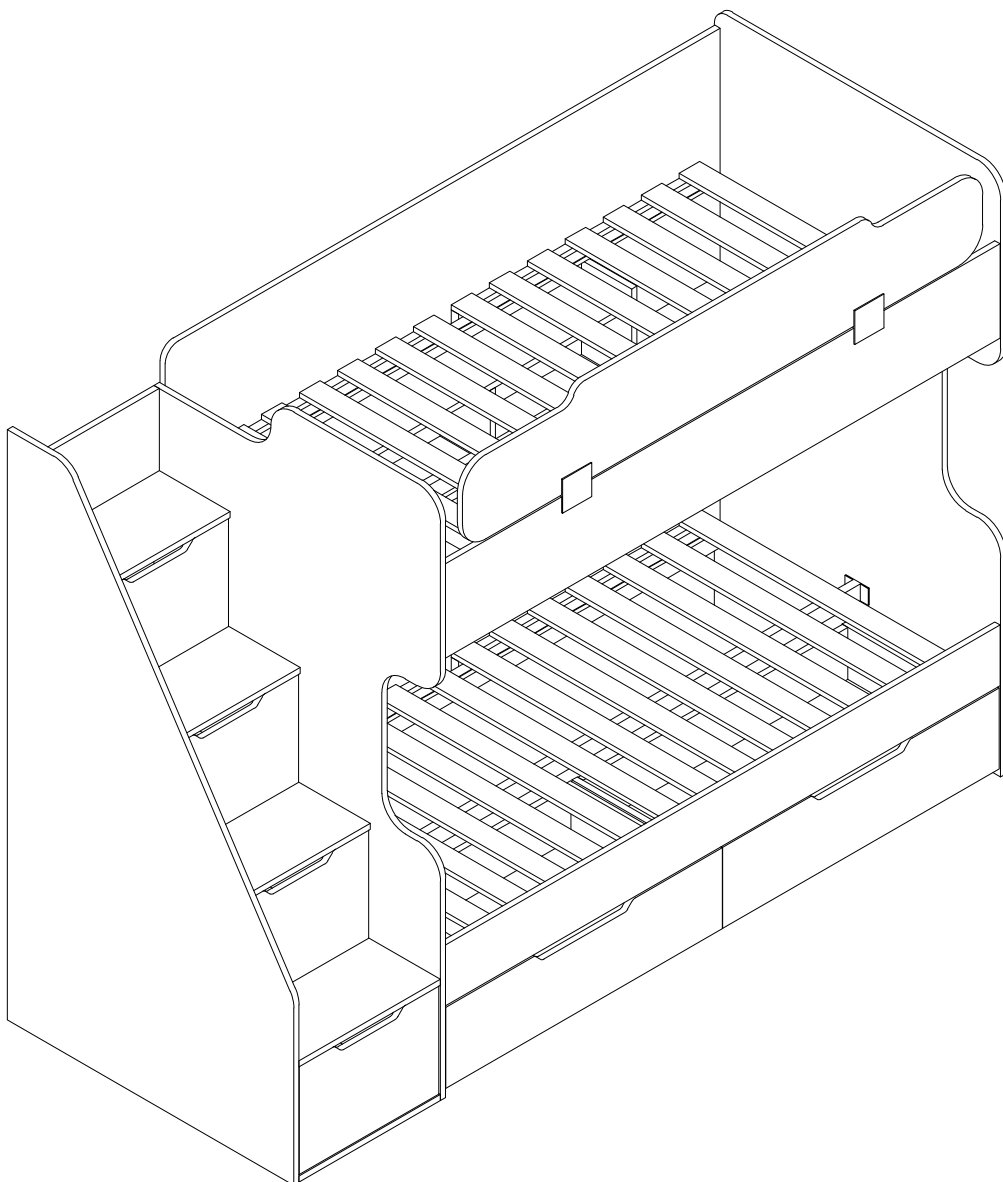




## Assembly Instructions

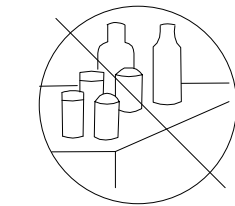
Item Code: 21MAWB001-N  
Description: Alpaka Kaia Bunk Bed



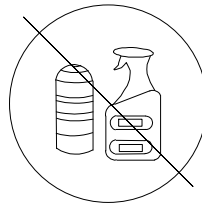
## Important Tips and Maintenance



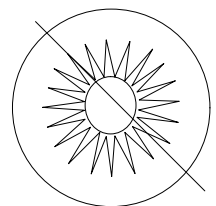
1. Keep children and animals away from working area as smaller parts may cause choking if swallowed.



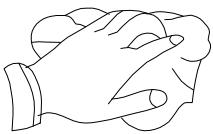
2. Never place liquids or anything damp upon furniture as it will mark. Ensure a coaster or running is beneath.



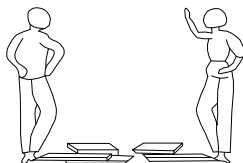
3. Never use ammonia based cleaning products as it will damage the finish.



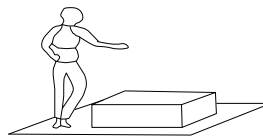
4. To avoid fading, keep furniture out of direct sunlight.



5. Use a soft or damp cloth (dry cloth) when wiping or cleaning surfaces.



6. Two person are required.



7. Lay a soft matt down to protect the furniture piece before and during assembly.

So your relationship is strong. But is it flat-pack furniture strong? Unless you're an aerospace engineer, assembling furniture can be slightly stressful. We recommend meditating quietly, pouring yourself a herbal tea (or slightly less herbal wine) and tackling things one step at a time. If you feel a passive aggressive remark coming on, try a compliment instead. E.g. "You're so good looking"

This 16-step assembly should take around 3.5 hours with an Allen Key - or 2 hours with an electric drill.  
Godspeed.

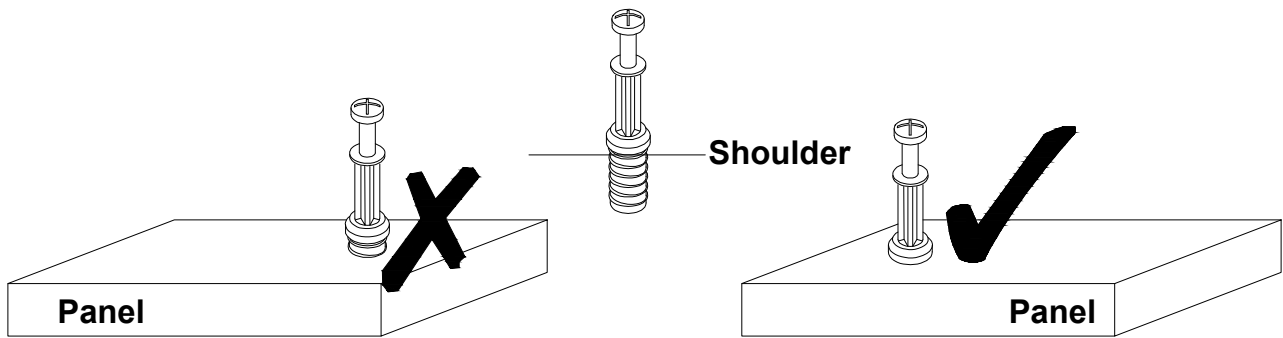
Designed for everyday

# Before Assembly

## Tips Before Your Start:

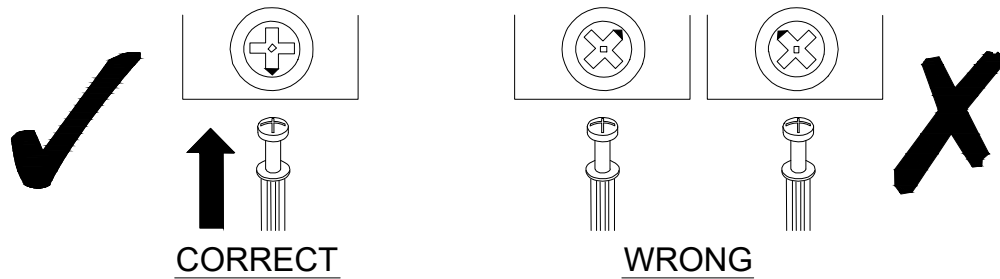
- Remove all wrapping material, including staples & packing straps before you start to assemble.
- DO NOT tighten all screws and bolts until completely assembled.
- Keep all hardware parts out of reach of children.

## QUICKFIT



Tighten quickfit until shoulder is flush with panel. Do not overtighten or undertighten.

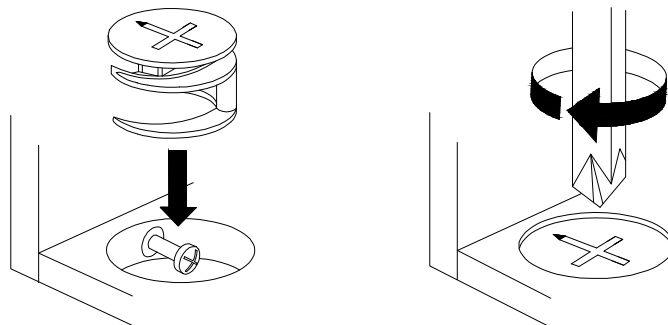
## CAM LOCK



When fitting cam lock, ensure starting position is correct before you insert connecting quickfit.

Quickfit head should be in the centre of the cam lock when the two panels are joined.

Cam lock should be inserted before quickfit.



Turn cam lock clockwise to tighten.

## Component Hardware

Please check you have all the fittings part or tools are listed in below.

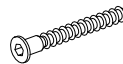
No. A  
Quantity:135Pcs  
Cam Lock Dowel  
φ15



No. B  
Quantity:72Pcs  
Dowel  
8\*30mm



No. C  
Quantity:2Pcs  
Screw  
6\*50mm



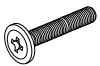
No. D  
Quantity:16Pcs  
Screw  
6\*12mm



No. E  
Quantity:8Pcs  
Wheel



No. F  
Quantity:32Pcs  
Screw  
6\*35mm



No. G  
Quantity:20Pcs  
Screw  
6\*60mm



No. H  
Quantity:20Pcs  
Screw Nut  
M6\*13



No. I  
Quantity:1Pc  
Allen Key  
4#



No. J  
Quantity:2Pcs  
H Connector



No. K  
Quantity:40 Pcs  
Screw  
4\*16mm



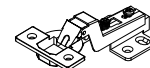
No. L  
Quantity:70Pcs  
Screw  
4\*30mm



No. M  
Quantity:32Pcs  
Screw  
4\*12mm



No. N  
Quantity:8Pcs  
Hinge  
φ35



No. O  
Quantity:16Pcs  
Foot Nail

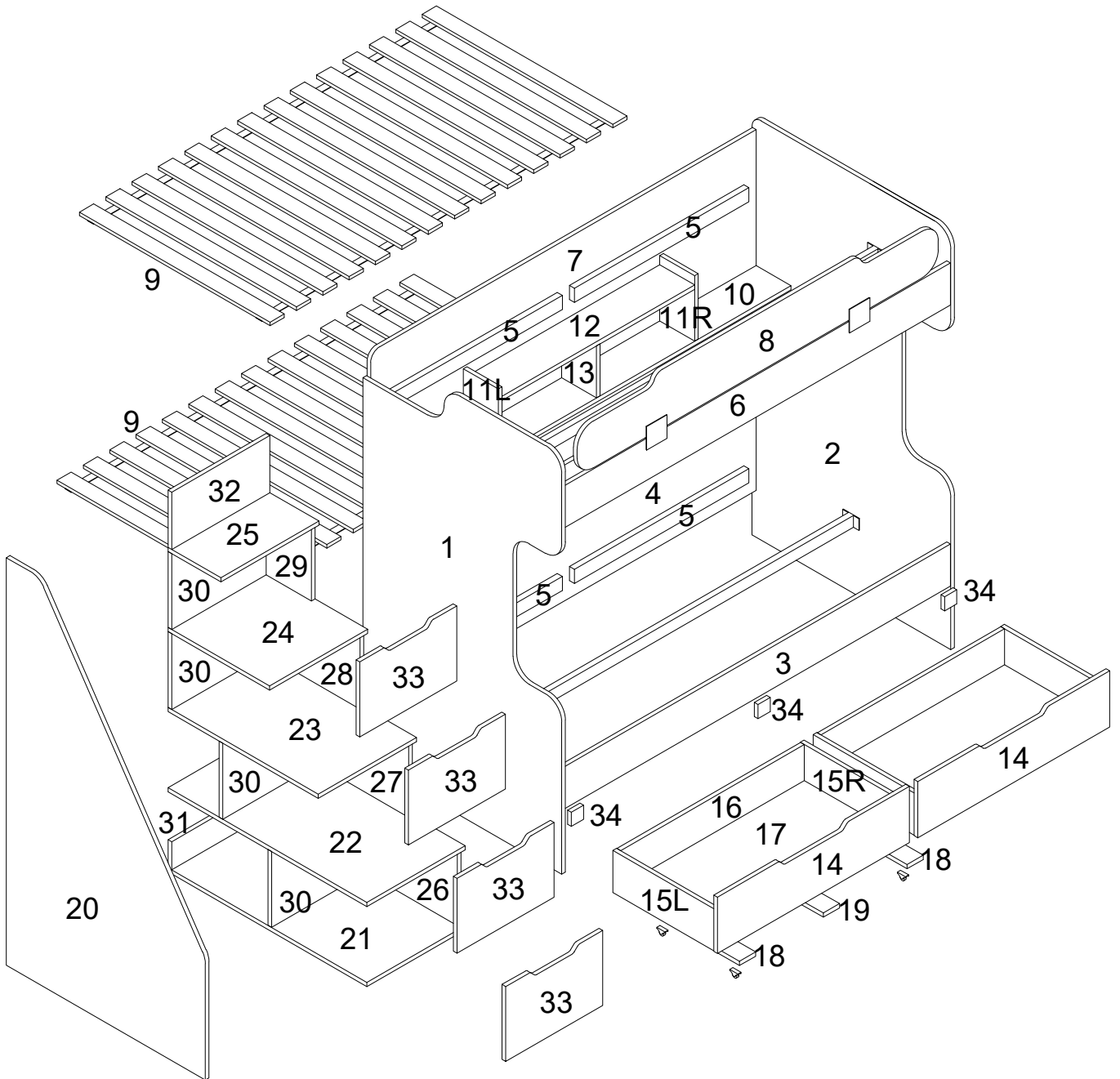


No. P  
Quantity:4 Pcs  
L Connector

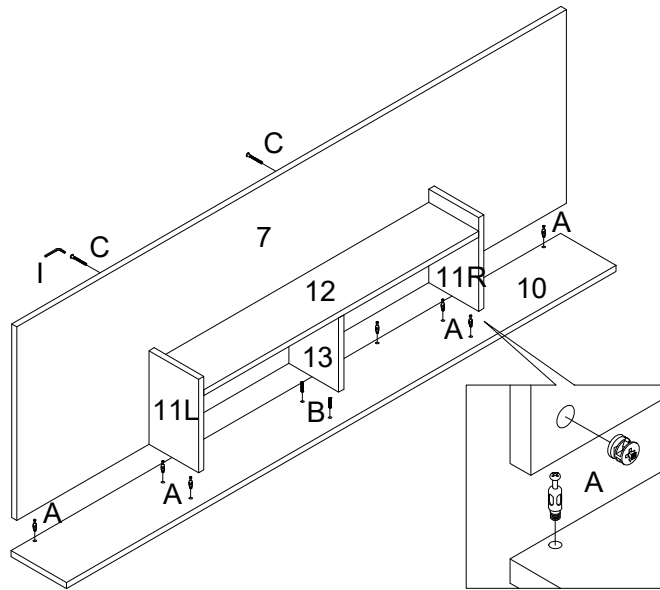


# Component Panels & Part List


Please check you have all the panels are listed below.



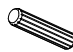
# STEP 1



**No. A**  
Quantity:12Pcs  
Cam Lock Dowel  
φ15



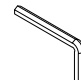
**No. B**  
Quantity:4Pcs  
Dowel  
8\*30mm



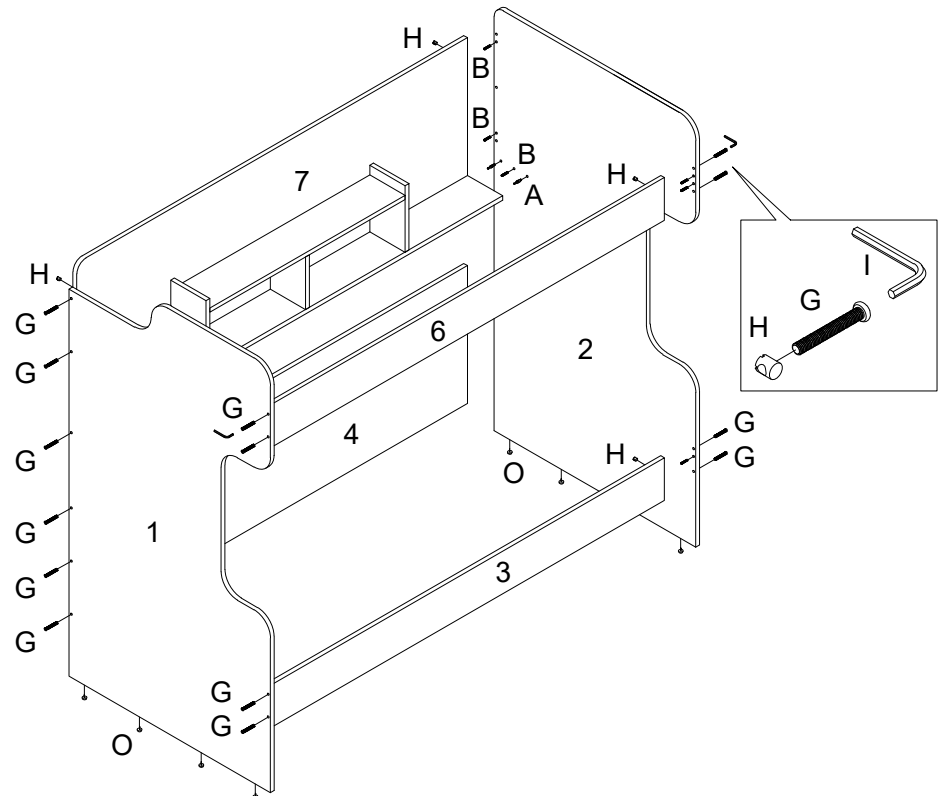
**No. C**  
Quantity:2Pcs  
Screw  
6\*50mm




**No. I**  
Quantity:1Pc  
Allen Key  
4#




# STEP 2



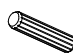
**No. O**  
Quantity:8Pcs  
Foot Nail



**No. A**  
Quantity:4Pcs  
Cam Lock Dowel  
φ15




**No. B**  
Quantity:16Pcs  
Dowel  
8\*30mm



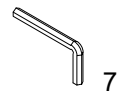
**No. G**  
Quantity:20Pcs  
Screw  
6\*60mm



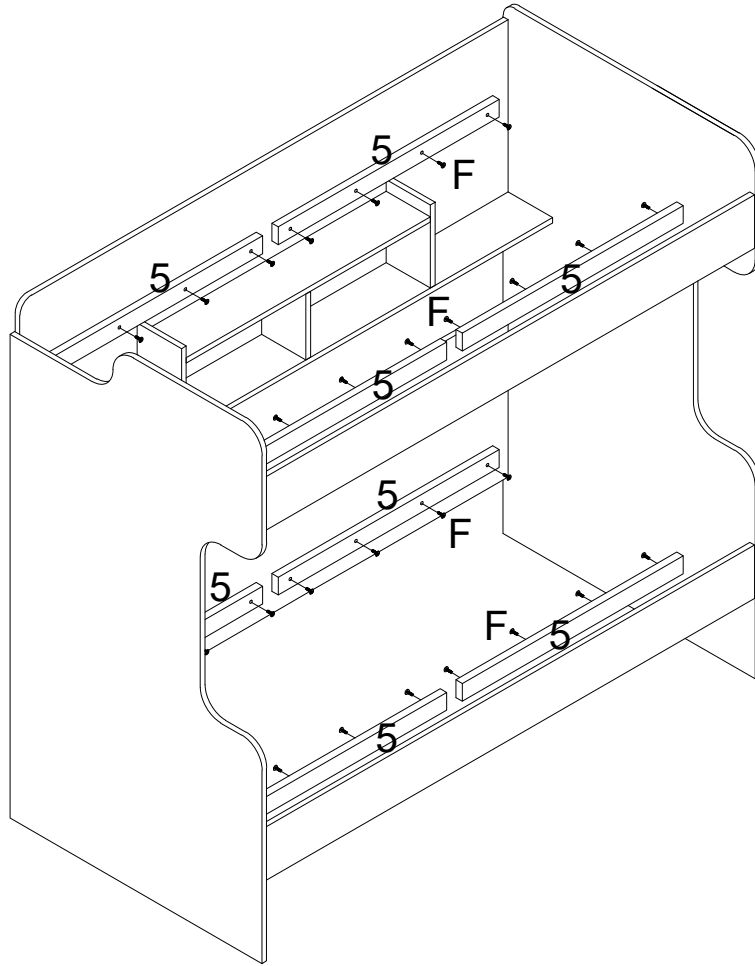
**No. H**  
Quantity:20Pcs  
Screw Nut  
M6\*13



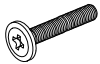
**No. I**  
Quantity:1Pc  
Allen Key  
4#



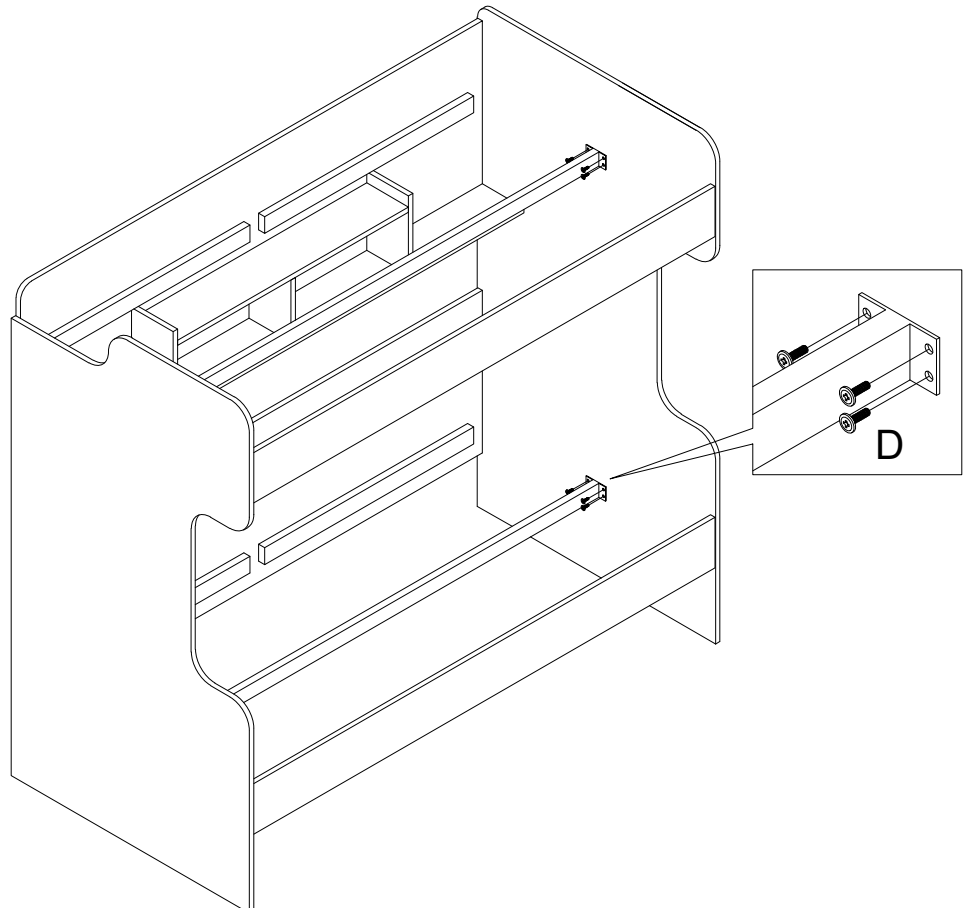
### STEP 3



No. F  
Quantity:32Pcs  
Screw  
6\*35mm



### STEP 4

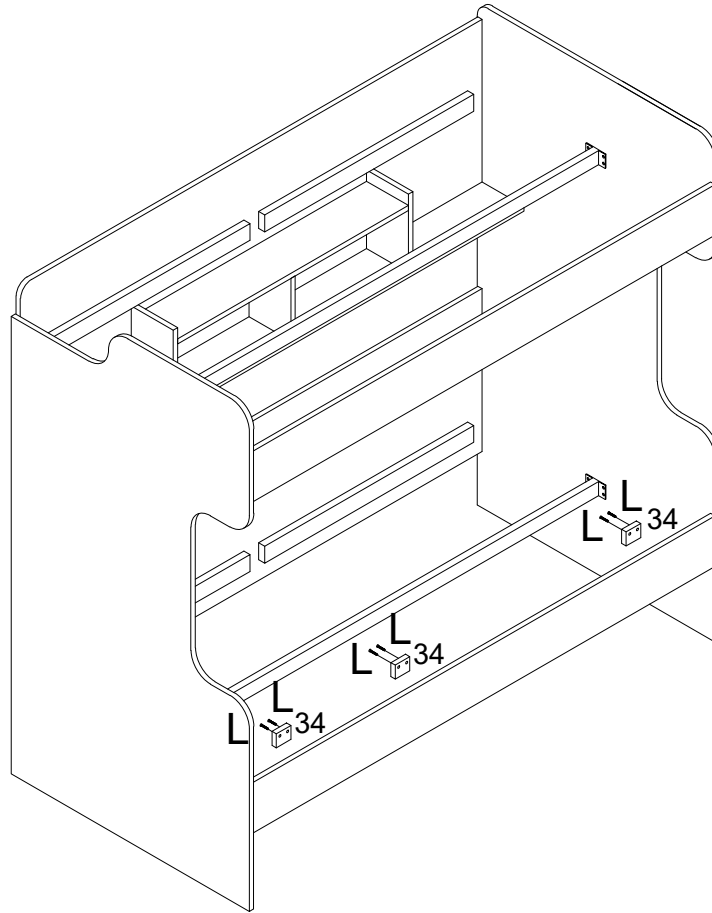


No. D  
Quantity:16Pcs  
Screw  
6\*12mm





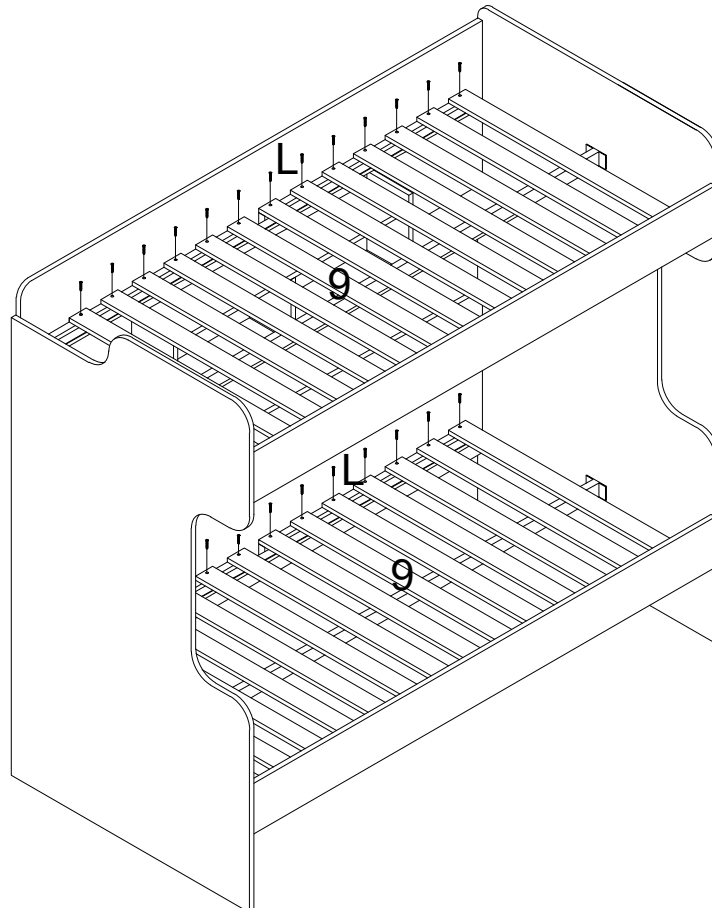
## STEP 5



No. L  
Quantity:6Pcs  
Screw  
4\*30mm



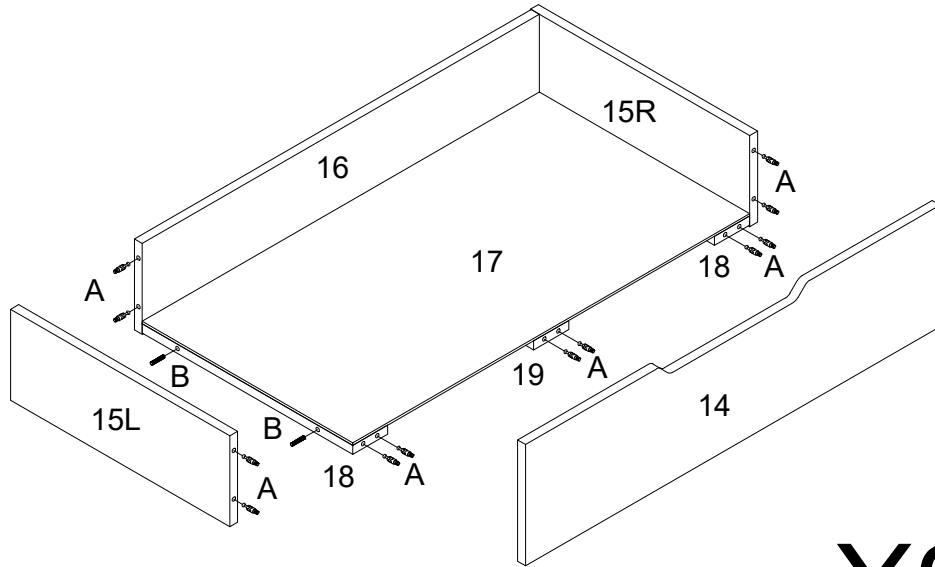
## STEP 6



No. L  
Quantity:56Pcs  
Screw  
4\*30mm



## STEP 7



# X2

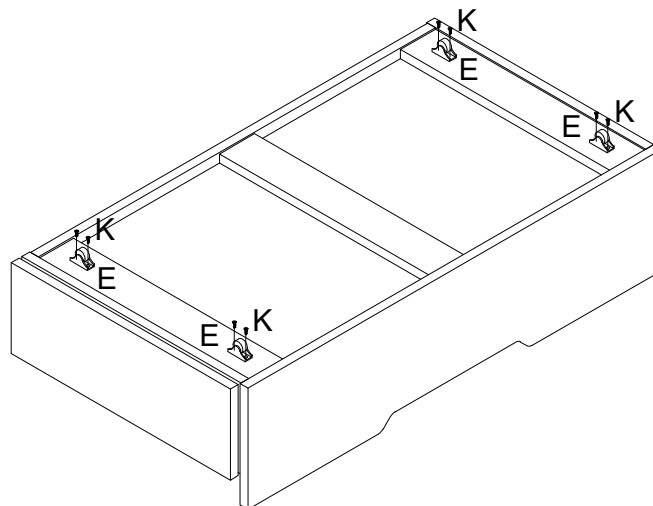
No. A  
Quantity:40Pcs  
Cam Lock Dowel  
φ15



No. B  
Quantity:8Pcs  
Dowel  
8\*30mm



## STEP 8



# X2

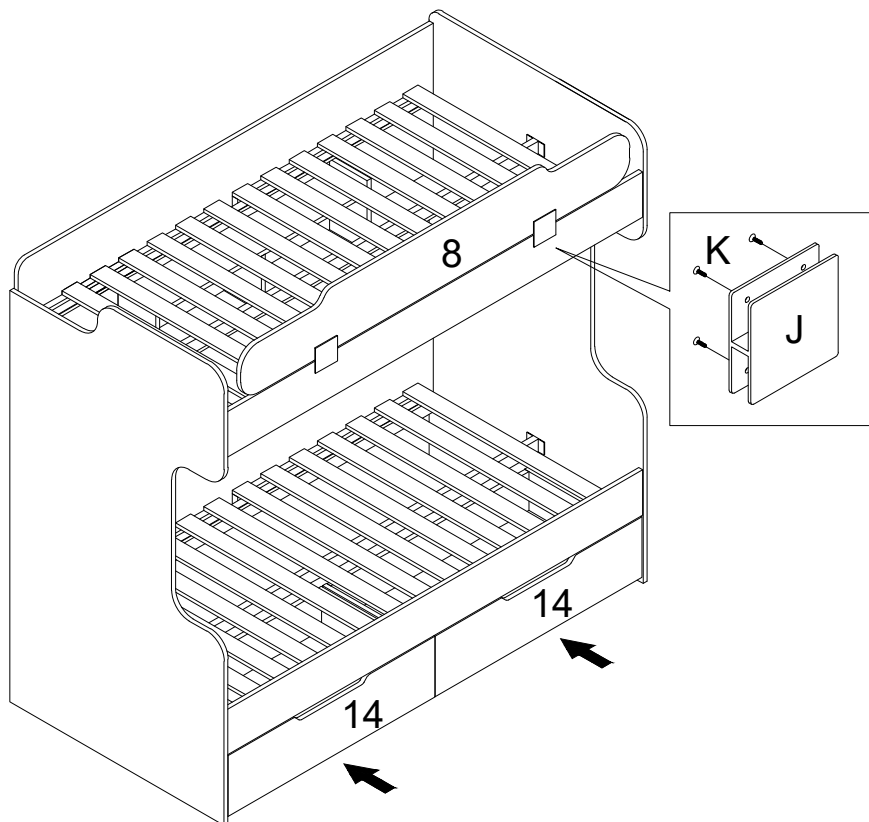
No. E  
Quantity:8Pc  
Wheel



No. K  
Quantity:16 Pcs  
Screw  
4\*16mm



# STEP 9



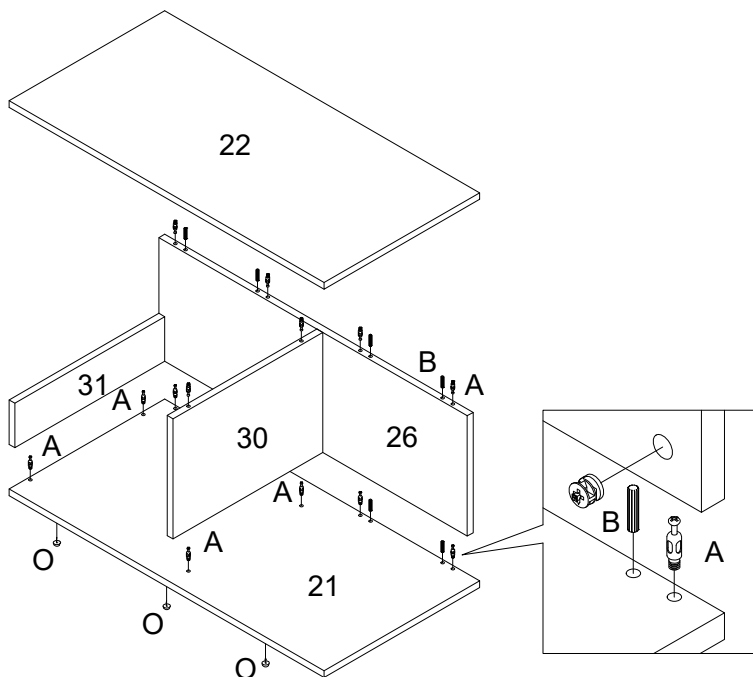
No. J  
Quantity: 2 Pcs  
H Connector



No. K  
Quantity: 8 Pcs  
Screw  
4\*16mm



# STEP 10



No. A  
Quantity: 18 Pcs  
Cam Lock Dowel  
φ15



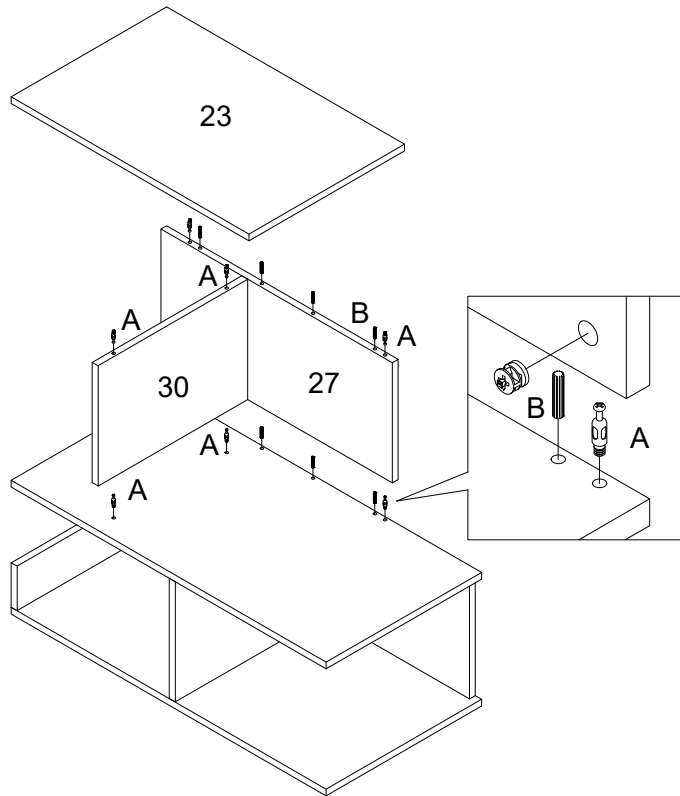
No. B  
Quantity: 8 Pcs  
Dowel  
8\*30mm



No. O  
Quantity: 6 Pcs  
Foot Nail



## STEP 11



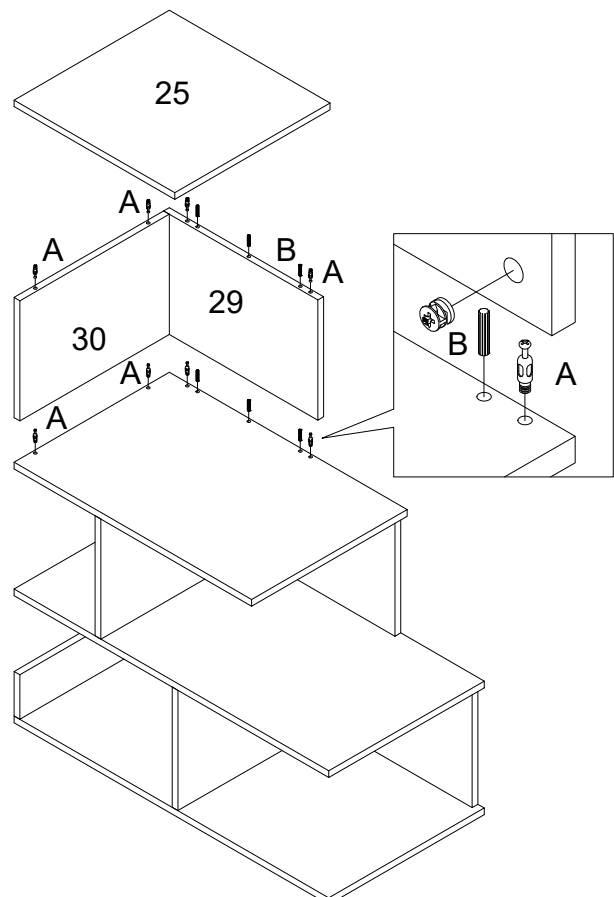
**No. A**  
Quantity:10Pcs  
Cam Lock Dowel  
φ15



**No. B**  
Quantity:8Pcs  
Dowel  
8\*30mm



## STEP 12



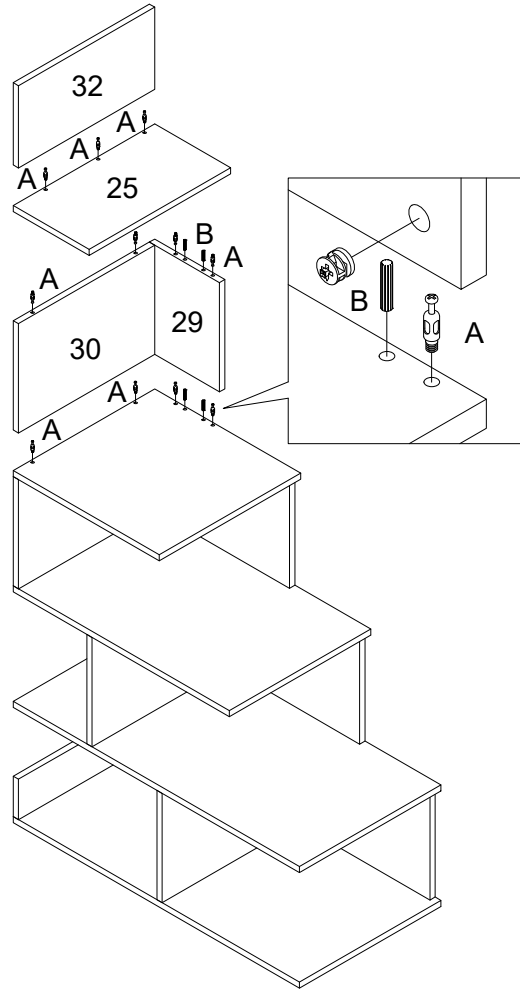
**No. A**  
Quantity:10Pcs  
Cam Lock Dowel  
φ15



**No. B**  
Quantity:6Pcs  
Dowel  
8\*30mm



# STEP 13



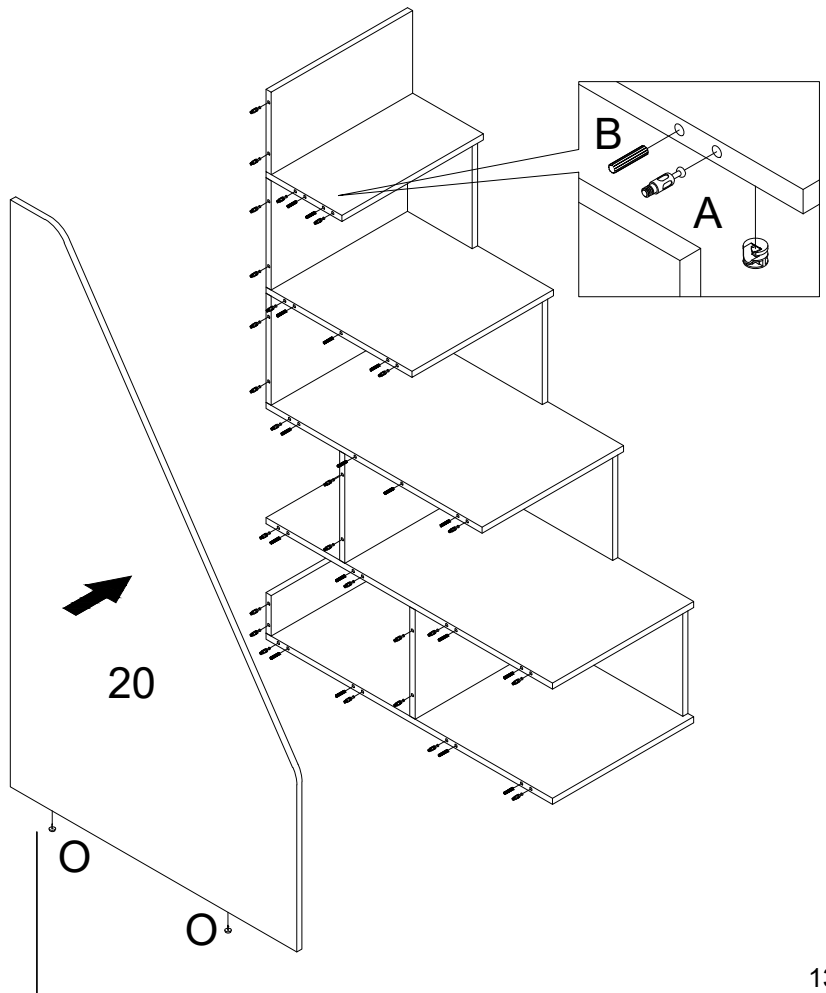
**No. A**  
Quantity:13Pcs  
Cam Lock Dowel  
φ15



**No. B**  
Quantity:4Pcs  
Dowel  
8\*30mm



# STEP 14



**No. O**  
Quantity:2Pcs  
Allen Key



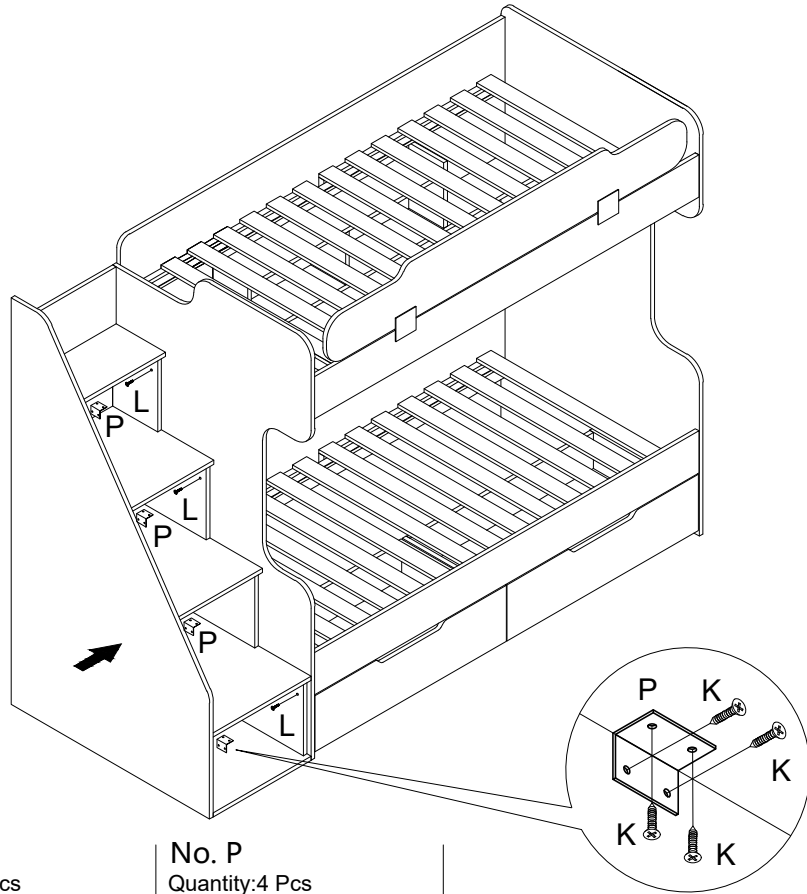
**No. A**  
Quantity:26Pcs  
Cam Lock Dowel  
φ15



**No. B**  
Quantity:17Pcs  
Dowel  
8\*30mm



## STEP 15



No. K  
Quantity:16 Pcs  
Screw  
4\*16mm



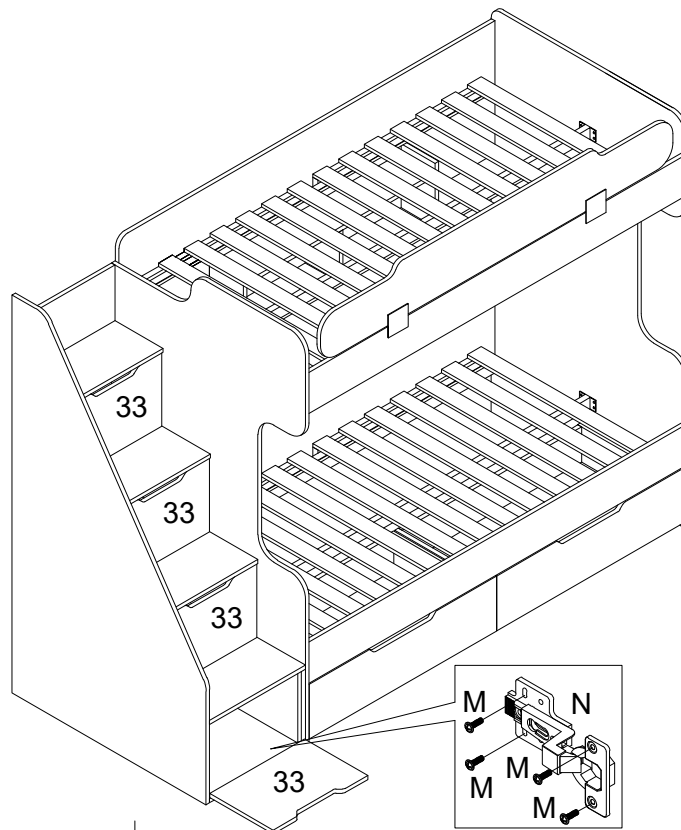
No. L  
Quantity:8Pcs  
Screw  
4\*30mm



No. P  
Quantity:4 Pcs  
L Connector



## STEP 16



No. M  
Quantity:32Pcs  
Screw  
4\*12mm



No. N  
Quantity:8Pcs  
Hinge  
φ35

