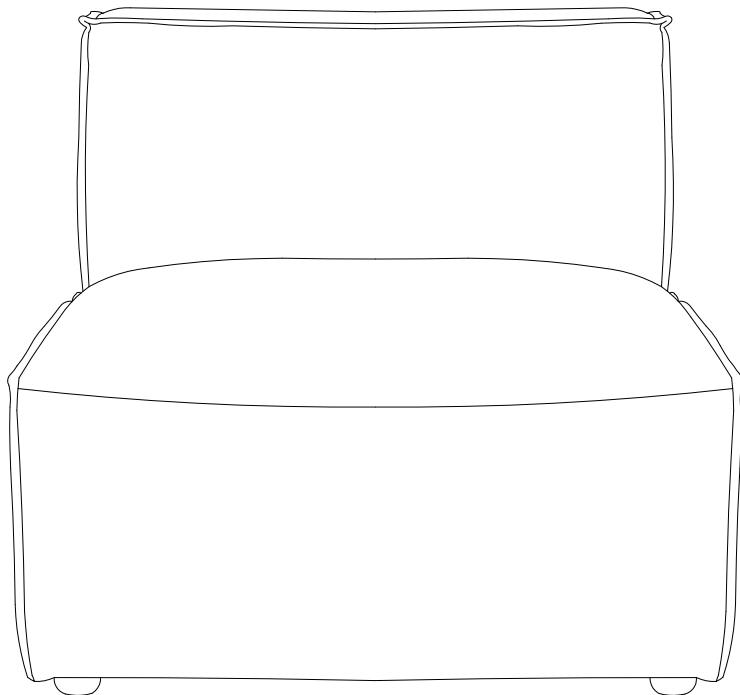


# Assembly Instructions

## Bradley Series



# Lifely\*

### Product Code

BRDY-SOFA Bradley Armless Sofa

### Dimensions (W x H x D)

77cm X68.5cm X86.5cm

---

### Important

Please read through instruction carefully before assembly and keep for future reference.

For our full catalogue of assembly instructions, visit: [lifely.com.au/assembly](http://lifely.com.au/assembly).

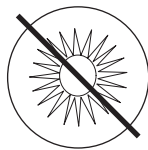
## Important Tips and Maintenance



1. Keep children and animals away from working area as smaller parts may cause choking if swallowed.



2. Never place liquids or anything damp upon furniture as it will mark. Ensure a coaster or running is beneath.



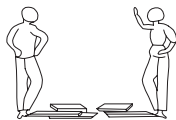
3. Never use ammonia based cleaning products as it will damage the finish.



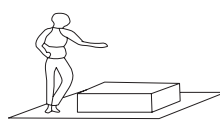
4. To avoid fading, keep furniture out of direct sunlight.



5. Use a soft or damp cloth (dry cloth) when wiping or cleaning surfaces.



6. Two person are required.



7. Lay a soft matt down to protect the furniture piece before and during assembly.

So your relationship is strong. But is it flat-pack furniture strong? Unless you're an aerospace engineer, assembling furniture can be slightly stressful. We recommend meditating quietly, pouring yourself a herbal tea (or slightly less herbal wine) and tackling things one step at a time. If you feel a passive aggressive remark coming on, try a compliment instead. E.g. "You're so good looking."

This 2-step assembly should take around 15 minutes.  
Godspeed.

Designed for everyday

### Component Hardware

Please check you have all the fittings  
part or tools are listed in below.

**No. A**  
Quantity: 6 Pcs

**Legs**  
H30mm



**No. B**  
Quantity: 3 Pcs

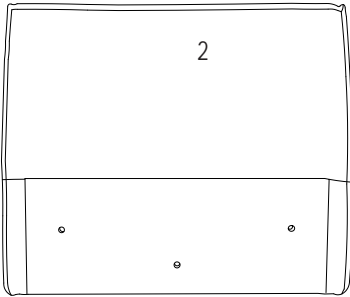
**Allen Key**  
M10x50mm



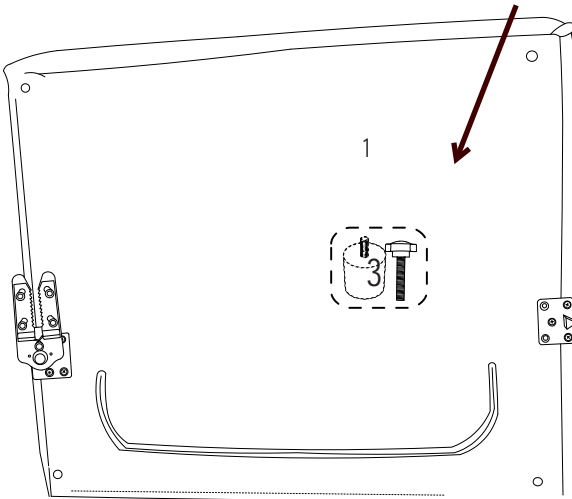
## Component Panels & Part List

Please check you have all the panels  
are listed below.

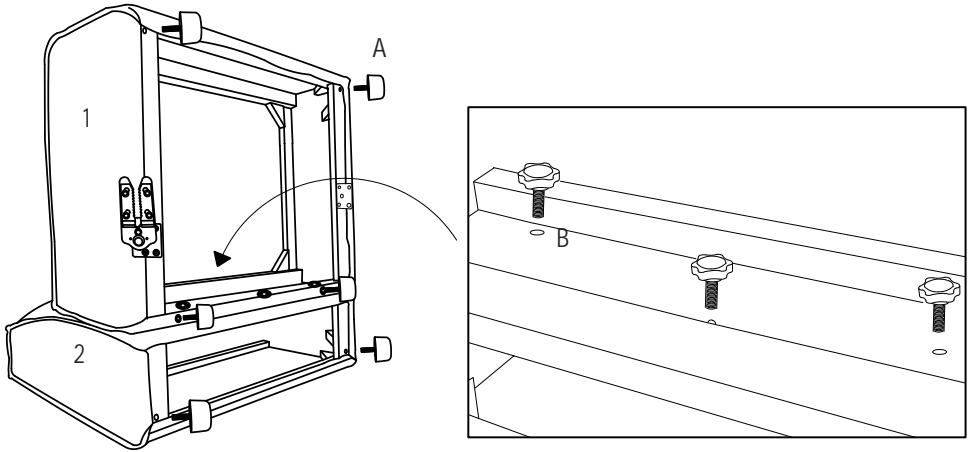
1. The body of the armless sofa .....x1
2. The back of the sofa ..... x1
3. Hardware package ..... x1



Unzip the bottom fabric and take out the part 3



STEP 1



No. A  
Quantity: 6 Pcs  
Legs  
H30mm



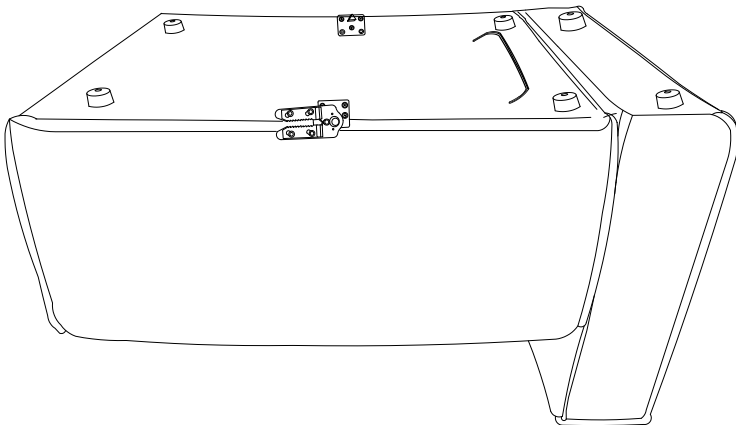
No. B  
Quantity: 3 Pcs  
Allen Key  
M10x50mm

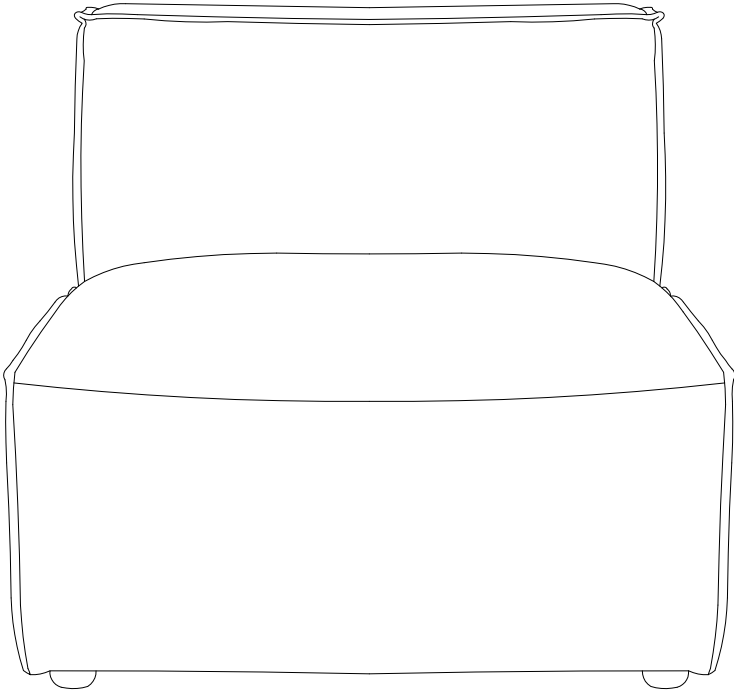


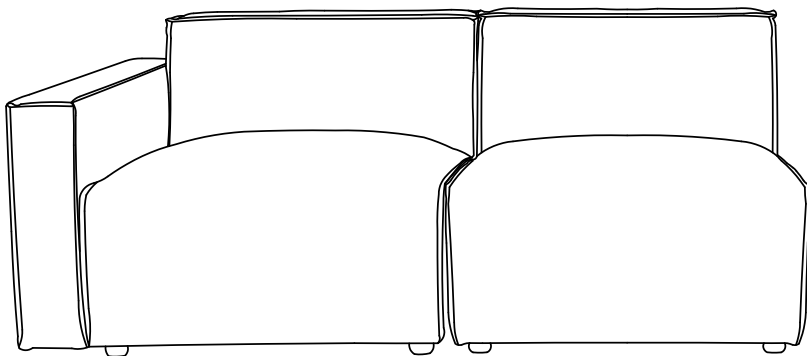
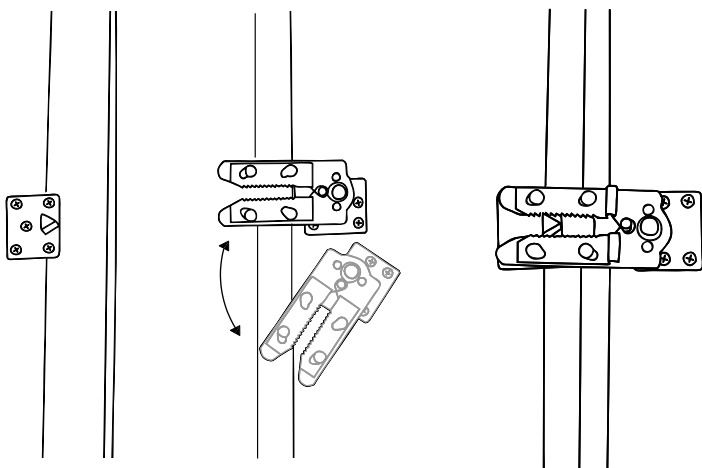
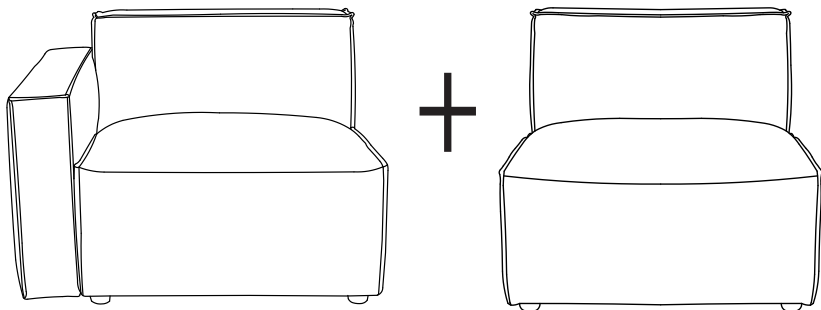
---

STEP 2

Zipper the bottom fabric









Great job. You're done!

Don't forget to share how it looks in your space and tag us on Instagram.

@lifelyhome#homewithlifely!