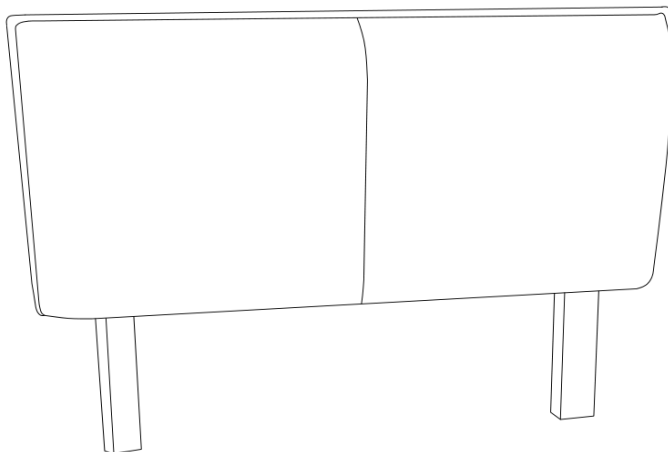


# Assembly Instructions

## Fernando Bed Head Series



# Lifely\*

### Product Code

FRND-BH- Q Fernando Bed Head - Queen

FRND-BH-D Fernando Bed Head - Double

### Dimensions (W x H x D)

Queen :1680 x 1150 x 220 mm (Q)

Double: 1450 x 1150 x 220 mm (D)

---

### Important

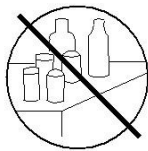
Please read through instruction carefully before assembly and keep for future reference.

For our full catalogue of assembly instructions, visit: [lifely.com.au/assembly](http://lifely.com.au/assembly).

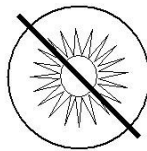
## Important Tips and Maintenance



1. Keep children and animals away from working area as smaller parts may cause choking if swallowed.



2. Never place liquids or anything damp upon furniture as it will mark. Ensure a coaster or running is beneath.



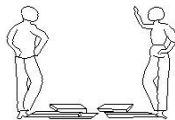
3. Never use ammonia based cleaning products as it will damage the finish.



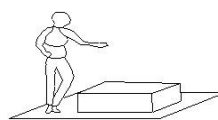
4. To avoid fading, keep furniture out of direct sunlight.



5. Use a soft or damp cloth (dry cloth) when wiping or cleaning surfaces.



6. Two person are required.



7. Lay a soft matt down to protect the furniture piece before and during assembly.

So your relationship is strong. But is it flat-pack furniture strong? Unless you're an aerospace engineer, assembling furniture can be slightly stressful. We recommend meditating quietly, pouring yourself a herbal tea (or slightly less herbal wine) and tackling things one step at a time. If you feel a passive aggressive remark coming on, try a compliment instead. E.g. "You're so good looking."

This 3-step assembly should take around 10 minutes with an Allen key-or 5 minutes with an electric drill. Godspeed.

Designed for everyday

## Component Hardware

Please check you have all the fittings part or tools are listed in below.

**No. A**  
Quantity: 4 Pcs  
**Screw**  
M8x30mm



**No. B**  
Quantity: 4 Pcs  
**Spring washer**  
M 8



**No. C**  
Quantity: 1 Pc  
**Allen key**  
M 8



**No. D**  
Quantity: 12 Pcs  
**Screw**  
30 mm



**No. E**  
Quantity: 2 Pcs  
**Angle**  
30X30 mm

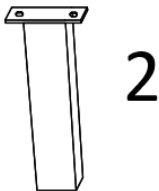
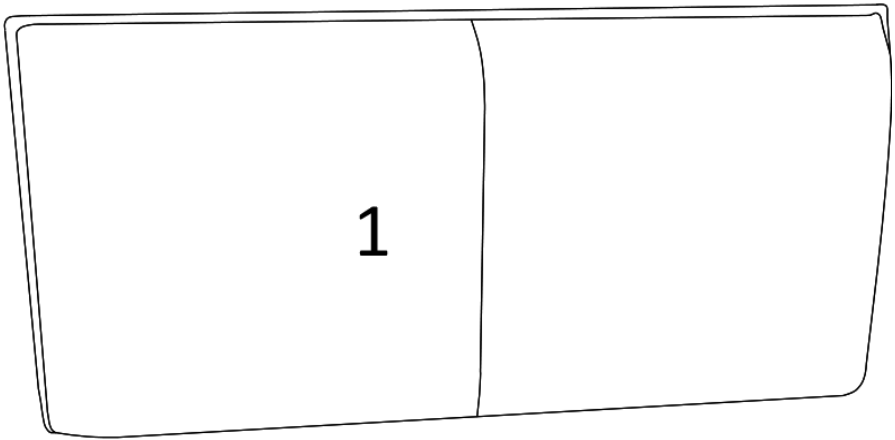


**Component Panels & Part List**

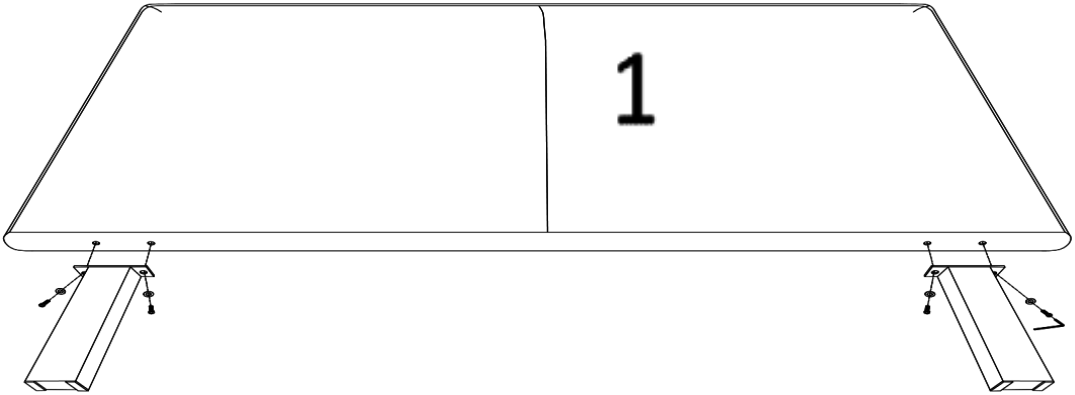
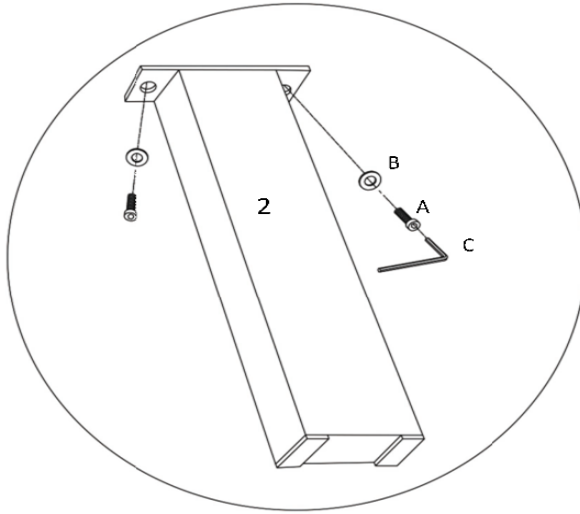
Please check you have all the  
panels are listed below.

1.Headboard ----- x1

2:Legs ----- x2



STEP 1



**No. A**  
Quantity: 4 Pcs  
**Screw**  
M8x30mm



**No. B**  
Quantity: 4 Pcs  
**Spring washer**  
M 8



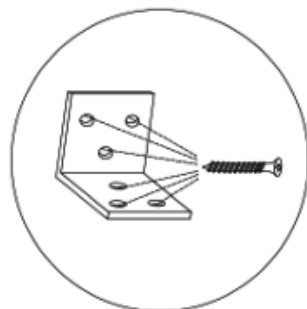
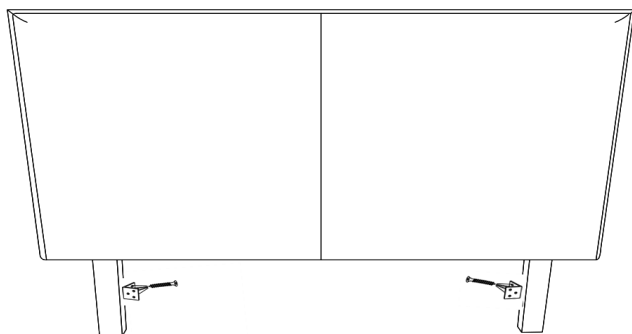
**No. C**  
Quantity: 1 Pc  
**Allen key**  
M 8



STEP 2



STEP 3



Do this step if you need the headboard connect with the bedbase .  
Otherwise please ignore this step

**No. E**

Quantity: 2 Pcs

**Angle**

30X30 mm



**No. D**

Quantity: 12 Pcs

**Screw**

30 mm



Great job. You're done!

Don't forget to share how it looks in your space  
and tag us on Instagram.

@lifelyhome #homewithlifely!