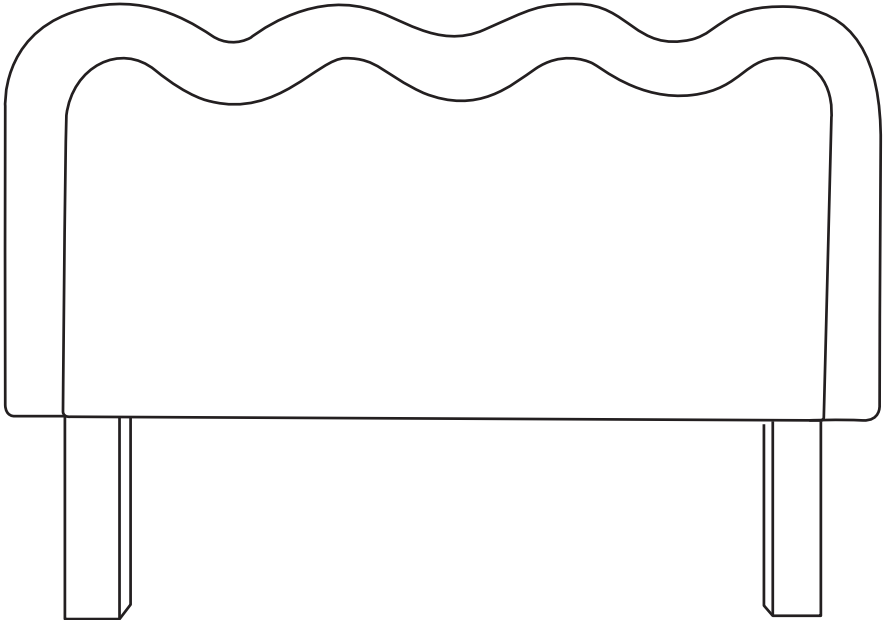


Assembly Instructions

Duet Bed Head Series



Lifely*

Product Code

DUET-BH-Q Duet Bed Head- Queen

DUET-BH-D Duet Bed Head- Double

Dimensions (W x H x D)

Queen: 1640x 1200x 120mm(Q)

Double: 1490x 1200x 120mm(D)

Important

Please read through instruction carefully before assembly and keep for future reference.

For our full catalogue of assembly instructions, visit: lifely.com.au/assembly.

Important Tips and Maintenance



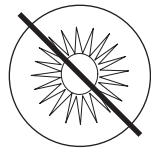
1. Keep children and animals away from working area as smaller parts may cause choking if swallowed.



2. Never place liquids or anything damp upon furniture as it will mark. Ensure a coaster or running is beneath.



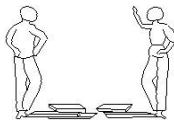
3. Never use ammonia based cleaning products as it will damage the finish.



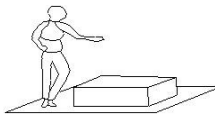
4. To avoid fading, keep furniture out of direct sunlight.



5. Use a soft or damp cloth (dry cloth) when wiping or cleaning surfaces.



6. Two person are required.



7. Lay a soft matt down to protect the furniture piece before and during assembly.

So your relationship is strong. But is it flat-pack furniture strong? Unless you're an aerospace engineer, assembling furniture can be slightly stressful. We recommend meditating quietly, pouring yourself a herbal tea (or slightlyless herbal wine) and tackling things one step at a time. If you feel a passive aggressive remark coming on, try a compliment instead. E.g. "You're so good looking."

This 3-step assembly should take around 10 minutes with an Allen key-or 5 minutes with an electric drill. Godspeed.

Designed for everyday

Component Hardware

Please check you have all the fittings
part or tools are listed in below.

No. A

Quantity: 4 Pcs

Screw

M8x 25mm



No. B

Quantity: 1 Pc

Allen Key



No. C

Quantity: 12 Pcs

Bolt

M5x 20mm



No. D

Quantity: 2 Pcs

Angle

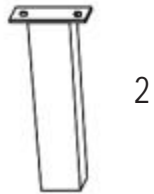
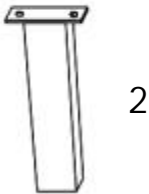
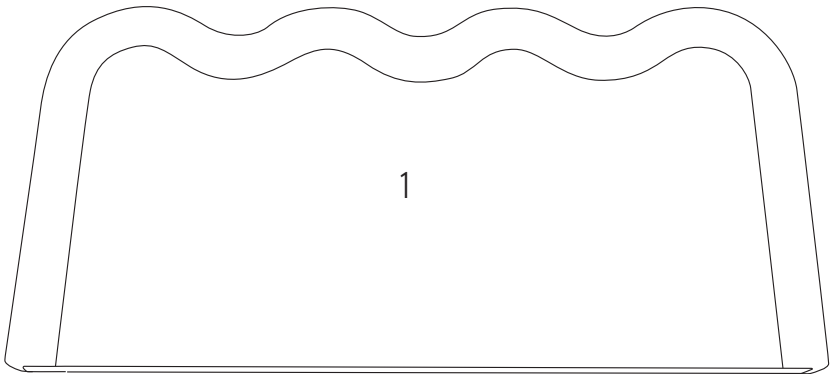
30x 30x 2mm



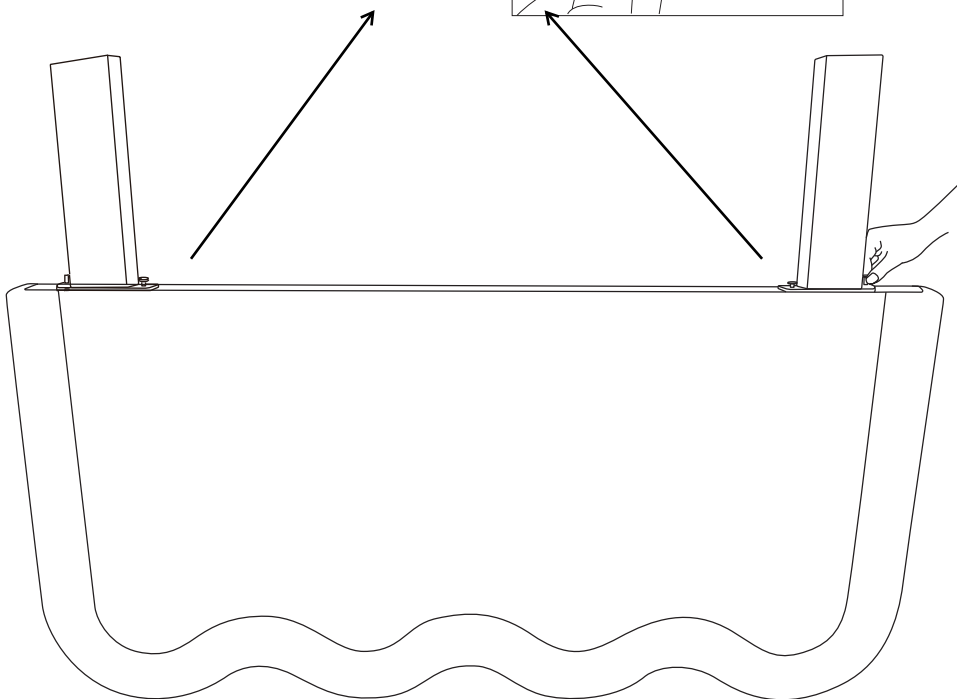
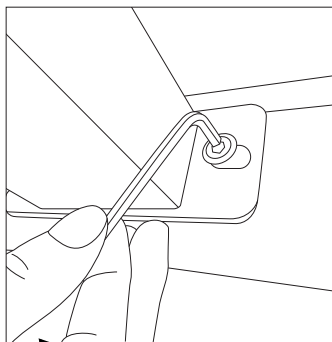
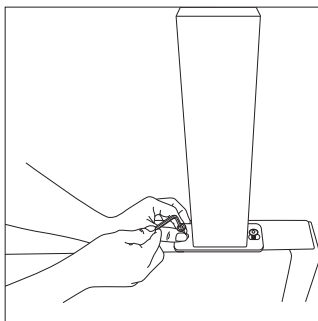
Component Panels & Part List

Please check you have all the
panels are listed below.

- 1.Headboardx1
- 2.Legsx2



Step 1:



No. A

Quantity: 4 Pcs

Screw

M8x 25mm



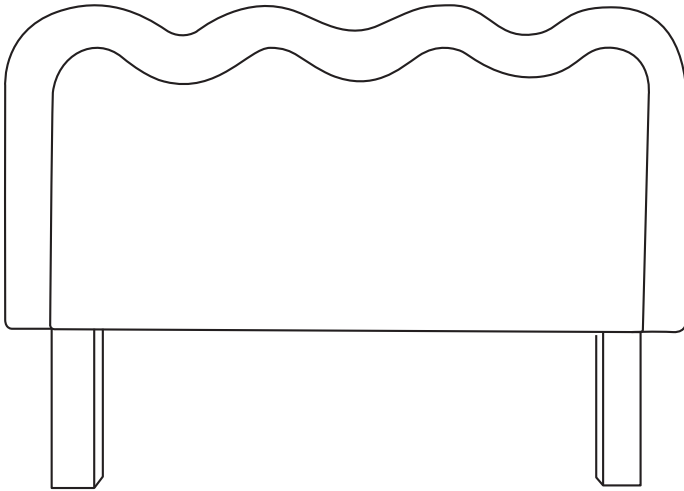
No. B

Quantity: 1 Pc

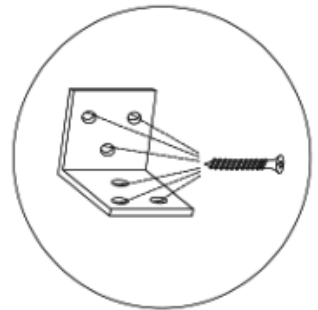
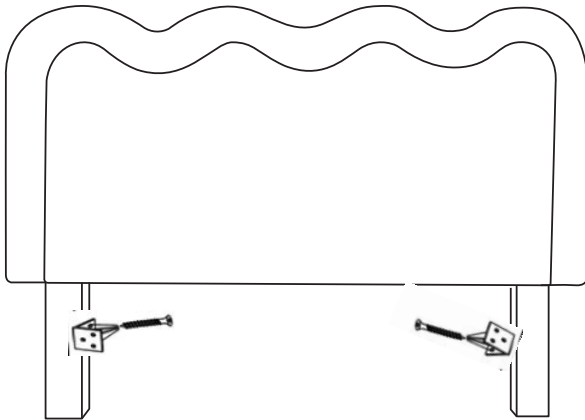
Allen Key



Step 2:



Step 3:



Do this step if you need the headboard connect with the bedbase .
Otherwise please ignore this step

No. C

Quantity: 12 Pcs

Bolt
M5x 20mm



No. D

Quantity: 2 Pcs

Angle
30x 30x 2mm



Great job. You're done!

Don't forget to share how it looks in your space
and tag us on Instagram.

@lifelyhome #homewithlifely!