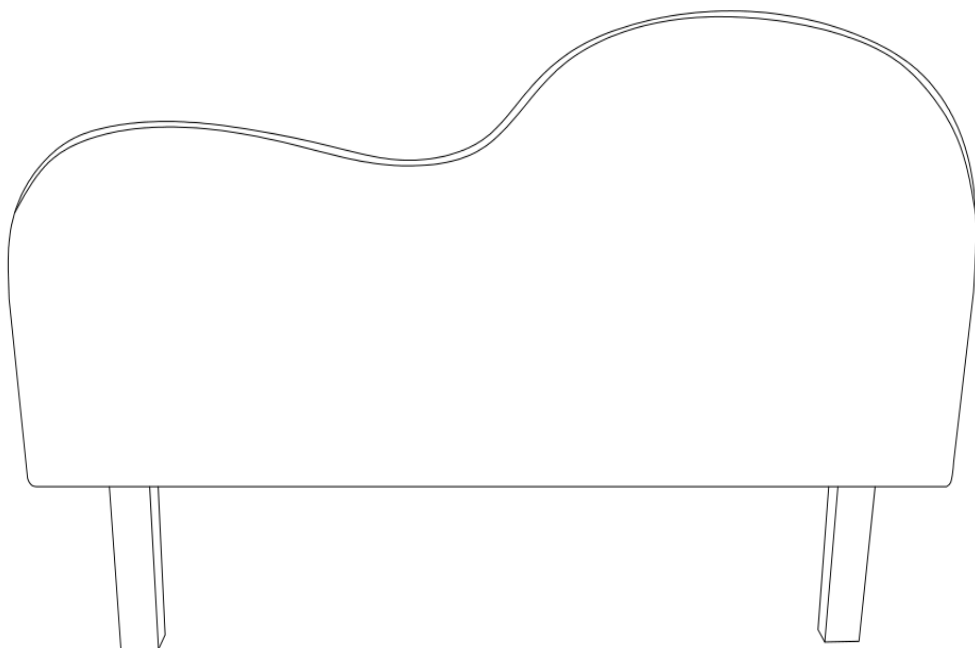


Assembly Instructions

Arch Bed Head Series



Lifely*

Product Code

ARCH-BH-K/ Q / D Arch Bed Head - King / Queen / Double

Dimensions (W x H x D)

1900 x 130 x 10 mm (K)

1600 x 130 x 10 mm (Q)

1450 x 130 x 10 mm (D)

Important

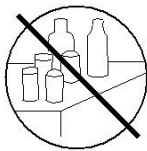
Please read through instruction carefully before assembly and keep for future reference.

For our full catalogue of assembly instructions, visit: lifely.com.au/assembly.

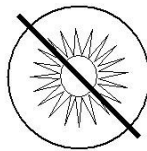
Important Tips and Maintenance



1. Keep children and animals away from working area as smaller parts may cause choking if swallowed.



2. Never place liquids or anything damp upon furniture as it will mark. Ensure a coaster or running is beneath.



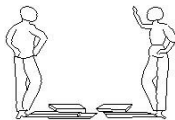
3. Never use ammonia based cleaning products as it will damage the finish.



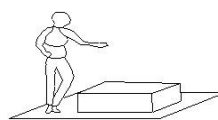
4. To avoid fading, keep furniture out of direct sunlight.



5. Use a soft or damp cloth (dry cloth) when wiping or cleaning surfaces.



6. Two person are required.



7. Lay a soft matt down to protect the furniture piece before and during assembly.

So your relationship is strong. But is it flat-pack furniture strong? Unless you're an aerospace engineer, assembling furniture can be slightly stressful. We recommend meditating quietly, pouring yourself a herbal tea (or slightly less herbal wine) and tackling things one step at a time. If you feel a passive aggressive remark coming on, try a compliment instead. E.g. "You're so good looking."

This 2-step assembly should take around 10 minutes with an Allen key-or 5 minutes with an electric drill. Godspeed.

Designed for everyday

Component Hardware

Please check you have all the fittings
part or tools are listed in below.

No. A
Quantity: 4 Pcs
Screw
M8x30mm



No. B
Quantity: 4 Pcs
Spring washer
M 8



No. C
Quantity: 4 Pcs
Washer
M 8



No. D
Quantity: 2 Pcs
Allen key
M5



No. E
Quantity: 2 Pcs
Angle
30X30mm



No. F
Quantity: 12 Pcs
Screw
30 mm

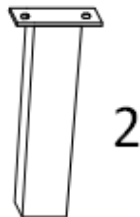
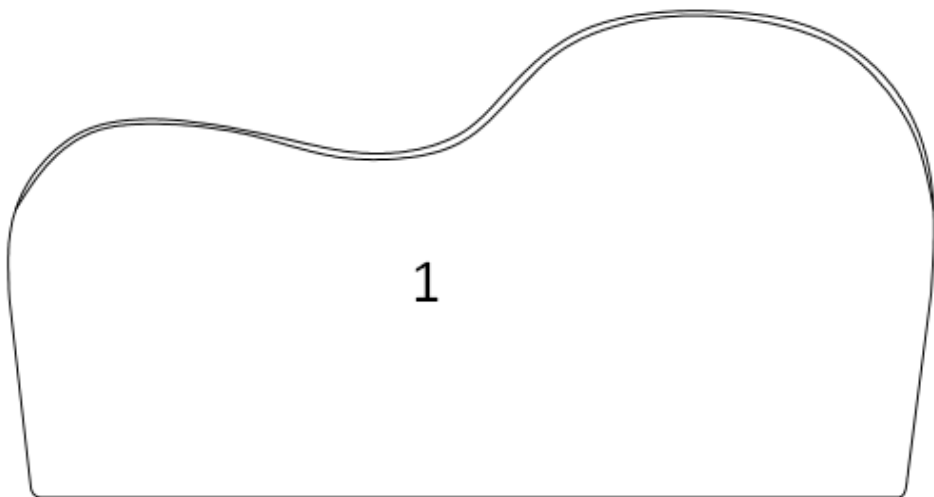


Component Panels & Part List

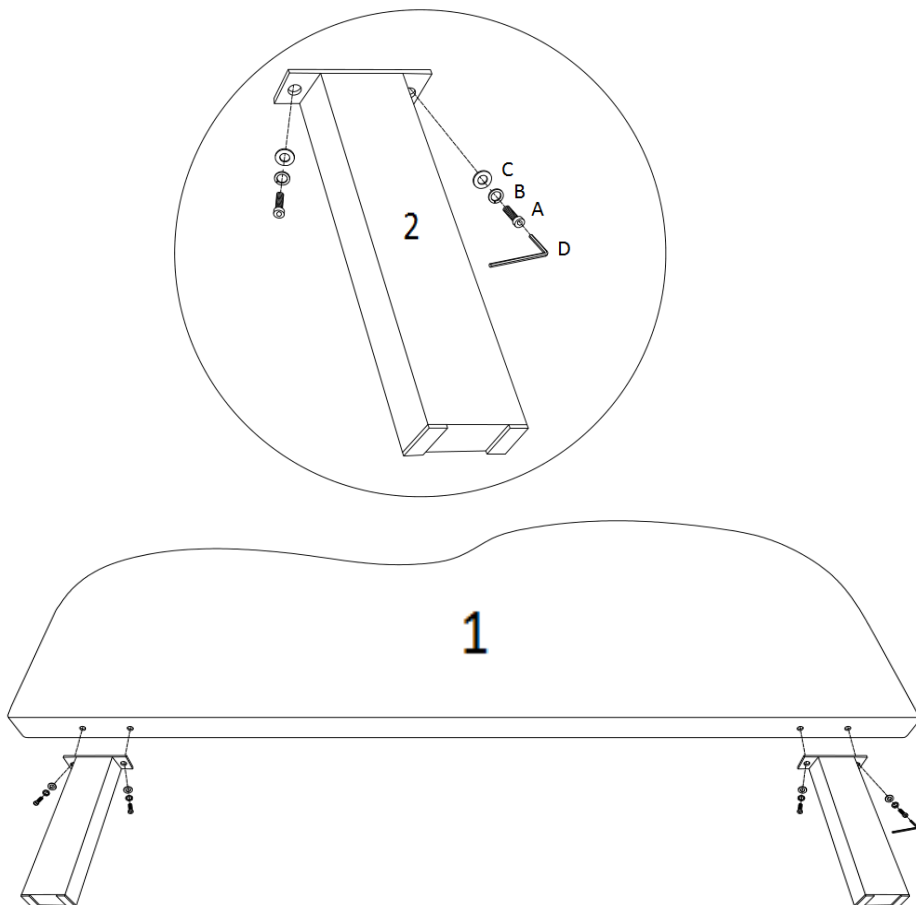
Please check you have all the
panels are listed below.

1.Headboard ----- x1

2:Legs ----- x2



STEP 1



No. A
Quantity: 4 Pcs
Screw
M8x30mm



No. B
Quantity: 4 Pcs
Spring washer
M 8



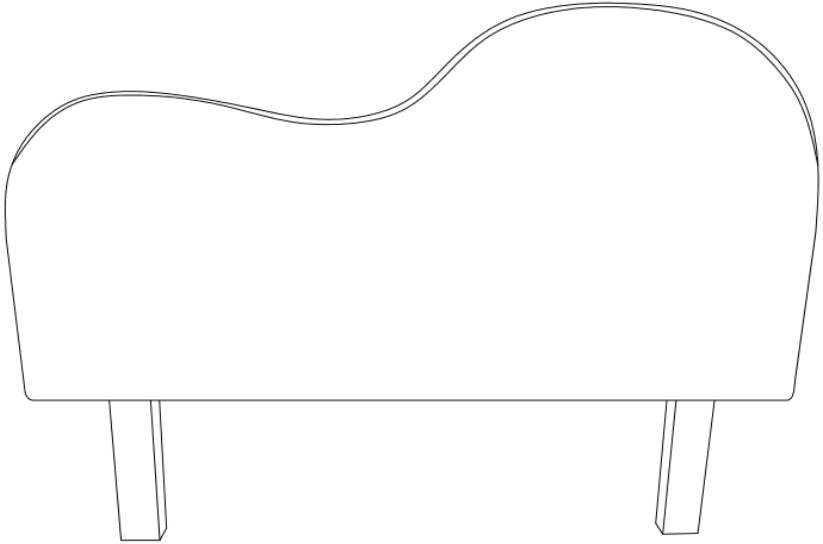
No. C
Quantity: 46 Pcs
Washer
M 8



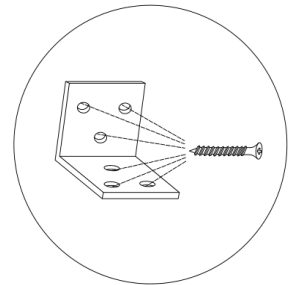
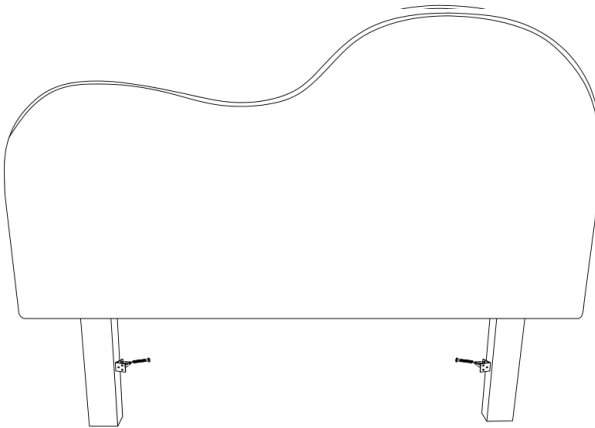
No. D
Quantity: 1 Pcs
Allen key
M5



STEP 2



STEP 3



Do this step if you need the headboard connect with the bedbase .
Otherwise please ignore this step

No. E

Quantity: 2 Pcs

Angle

30X30 mm



No. F

Quantity: 12 Pcs

Screw

30 mm



Great job. You're done!

Don't forget to share how it looks in your space
and tag us on Instagram.

@lifelyhome #homewithlifely!