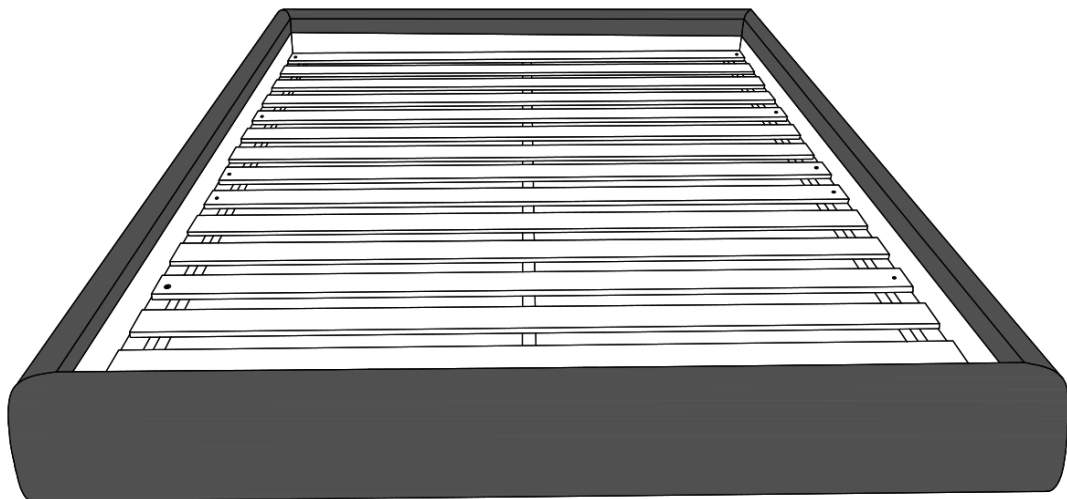


# Assembly Instructions

## Felix Bed Base Series



# Lifely\*

### Product Code

FELX-BB- K Felix Bed Base - King

### Dimensions (W x H x D)

2020 x 2210 x 320 mm (King)

---

### Important

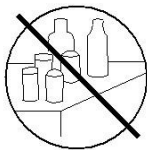
Please read through instruction carefully before assembly and keep for future reference.

For our full catalogue of assembly instructions, visit: [lifely.com.au/assembly](http://lifely.com.au/assembly).

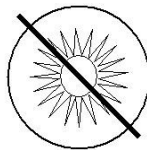
## Important Tips and Maintenance



1. Keep children and animals away from working area as smaller parts may cause choking if swallowed.



2. Never place liquids or anything damp upon furniture as it will mark. Ensure a coaster or running is beneath.



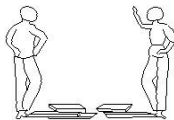
3. Never use ammonia based cleaning products as it will damage the finish.



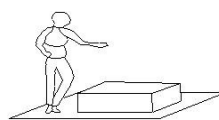
4. To avoid fading, keep furniture out of direct sunlight.



5. Use a soft or damp cloth (dry cloth) when wiping or cleaning surfaces.



6. Two person are required.



7. Lay a soft matt down to protect the furniture piece before and during assembly.

So your relationship is strong. But is it flat-pack furniture strong? Unless you're an aerospace engineer, assembling furniture can be slightly stressful. We recommend meditating quietly, pouring yourself a herbal tea (or slightly less herbal wine) and tackling things one step at a time. If you feel a passive aggressive remark coming on, try a compliment instead. E.g. "You're so good looking."

This 5-step assembly should take around 30 minutes with an Allen key-or 20 minutes with an electric drill. Godspeed.

Designed for everyday

### Component Hardware

Please check you have all the fittings  
part or tools are listed in below.

#### No. A

Quantity : 2 Pcs

Legs

25\*25mm



#### No. B

Quantity : 4 Pcs

Connection



#### No. C

Quantity : 20Pcs

Screw



#### No. D

Quantity : 1 Pc

Allen key



#### No. E

Quantity : 12 Pcs

Screw



FELX-BB 4

**Component Panels & Part List**

Please check you have all the panels are listed below.

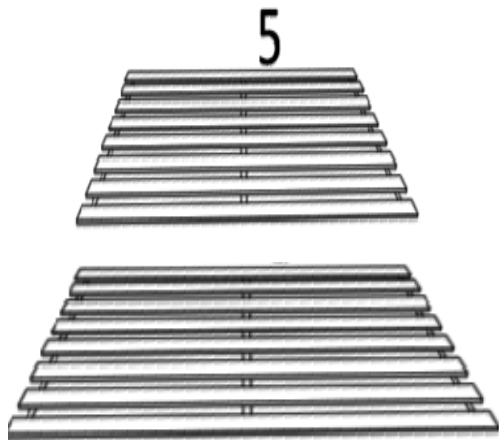
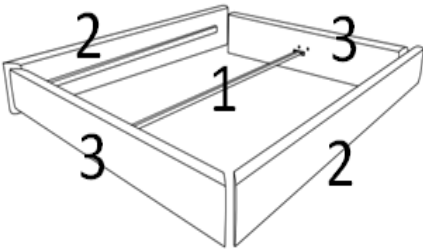
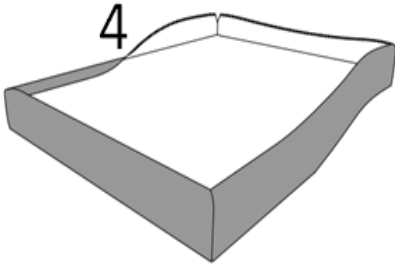
1:Central rail ----- x1 CTN 1/3

2:Side rail ----- x2 CTN 1/3

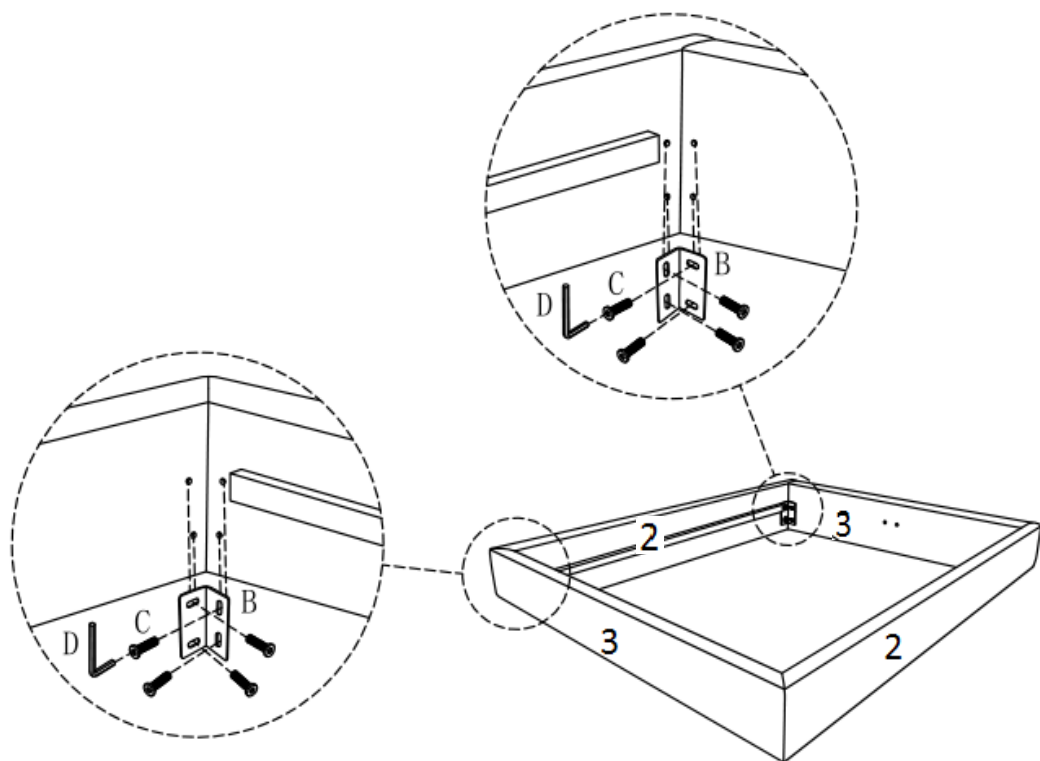
3: Head / end rail ----- x2 CTN 2/3

4.Farbic cover - ----- x1 CNT 2/3

5: Slat ----- x2 CNT 3/3



STEP 1



**No. B**  
Quantity: 4 Pcs  
connection



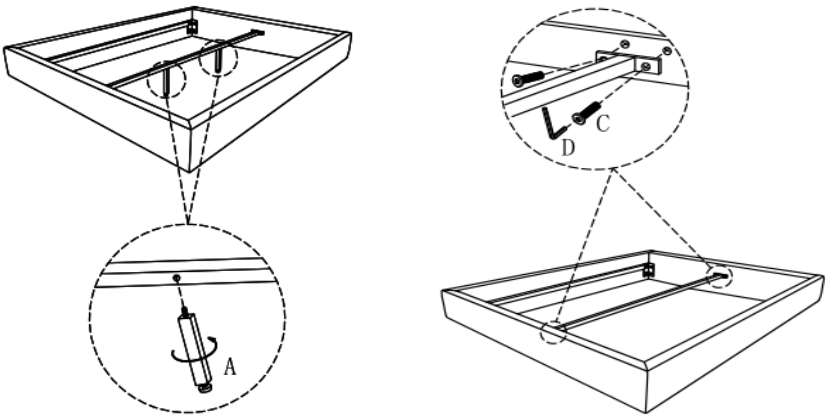
**No. c**  
Quantity: 16 Pcs  
Bolts



**No. D**  
Quantity: 1 Pc  
Allen key



STEP 2



**No. A**  
Quantity : 2 Pcs  
Legs  
25\*25mm



**No. C**  
Quantity: 4 Pcs  
Spring washer



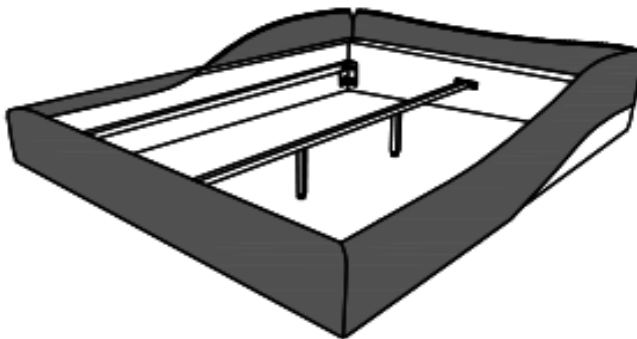
**No. D**  
Quantity: 1 Pc  
Allen key



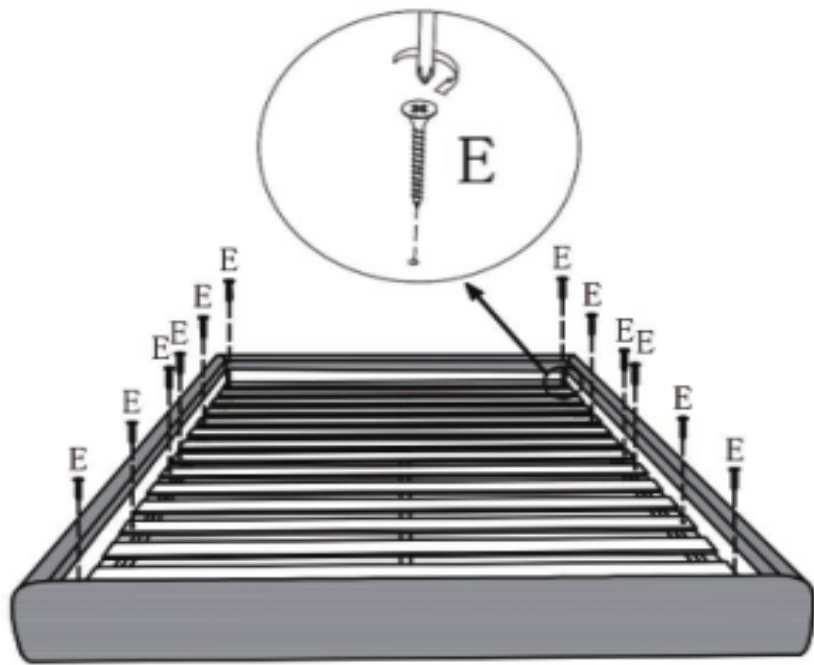
---

STEP 3

Put the slip cover on side rails of bed base ,sticked it by velcro which stitched on the fabric, please note the notch side of cover towards up .



STEP 4



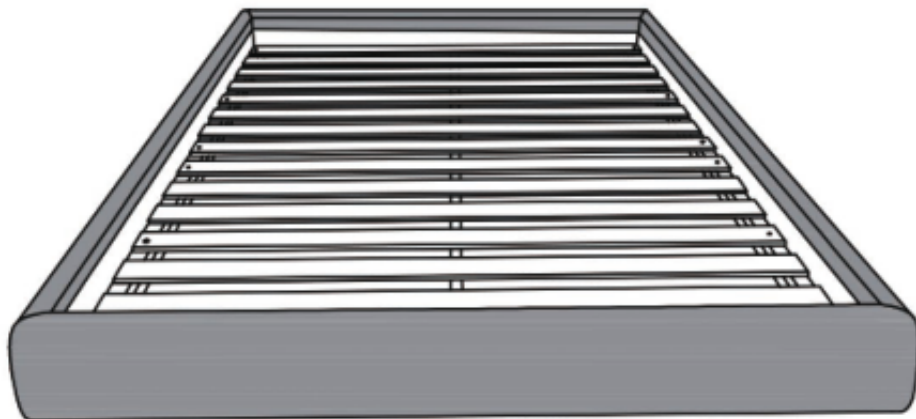
**No. E**

Quantity : 12 Pcs

**Screw**



STEP 5





Great job. You're done!

Don't forget to share how it looks in your space  
and tag us on Instagram.

@lifelyhome #homewithlifely!