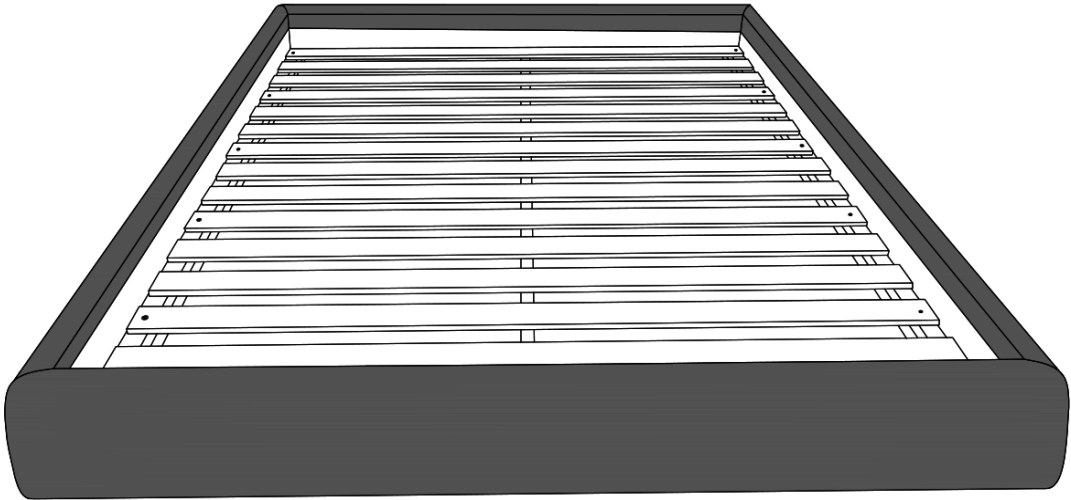


Assembly Instructions

Felix Bed Base Series



Lifely*

Product Code

FELX-BB- Q Felix Bed Base - Queen

FELX-BB- D Felix Bed Base - Double

Dimensions (W x H x D)

1730 x 2210 x 320 mm (Queen)

1580 x 2070 x 320 mm (Double)

Important

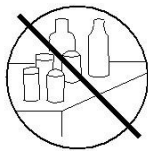
Please read through instruction carefully before assembly and keep for future reference.

For our full catalogue of assembly instructions, visit: lifely.com.au/assembly.

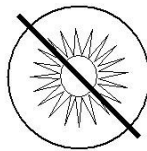
Important Tips and Maintenance



1. Keep children and animals away from working area as smaller parts may cause choking if swallowed.



2. Never place liquids or anything damp upon furniture as it will mark. Ensure a coaster or running is beneath.



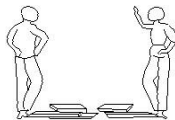
3. Never use ammonia based cleaning products as it will damage the finish.



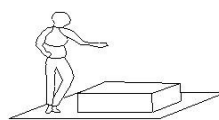
4. To avoid fading, keep furniture out of direct sunlight.



5. Use a soft or damp cloth (dry cloth) when wiping or cleaning surfaces.



6. Two person are required.



7. Lay a soft matt down to protect the furniture piece before and during assembly.

So your relationship is strong. But is it flat-pack furniture strong? Unless you're an aerospace engineer, assembling furniture can be slightly stressful. We recommend meditating quietly, pouring yourself a herbal tea (or slightly less herbal wine) and tackling things one step at a time. If you feel a passive aggressive remark coming on, try a compliment instead. E.g. "You're so good looking."

This 5-step assembly should take around 30 minutes with an Allen key-or 20 minutes with an electric drill. Godspeed.

Designed for everyday

Component Hardware

Please check you have all the fittings
part or tools are listed in below.

No. A

Quantity : 2 Pcs

Legs

25*25mm



No. B

Quantity : 4 Pcs

Connection



No. C

Quantity : 20Pcs

Screw



No. D

Quantity : 1 Pc

Allen key



No. E

Quantity : 12 Pcs

Screw



FELX-BB 4

Component Panels & Part List

Please check you have all the
panels are listed below.

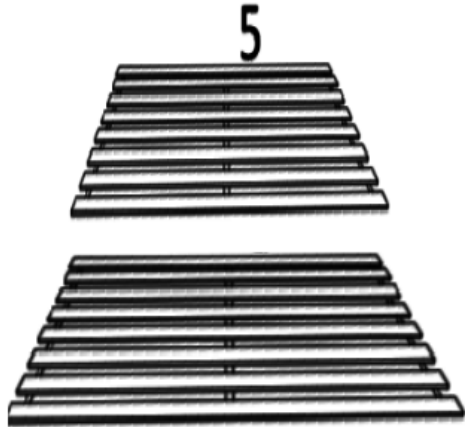
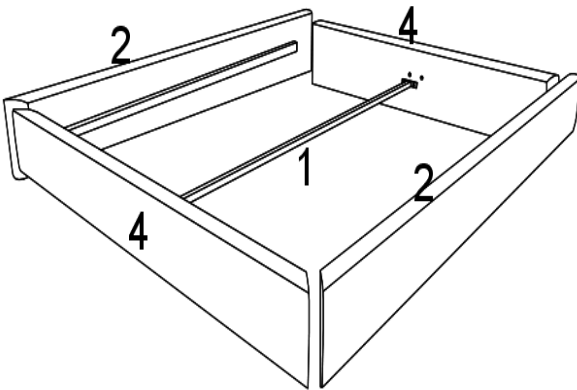
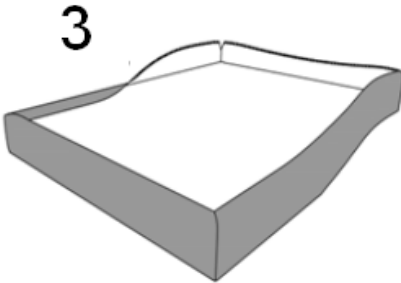
1: Central rail ----- x1 CTN 1/2

2: Side rail ----- x2 CTN 1/2

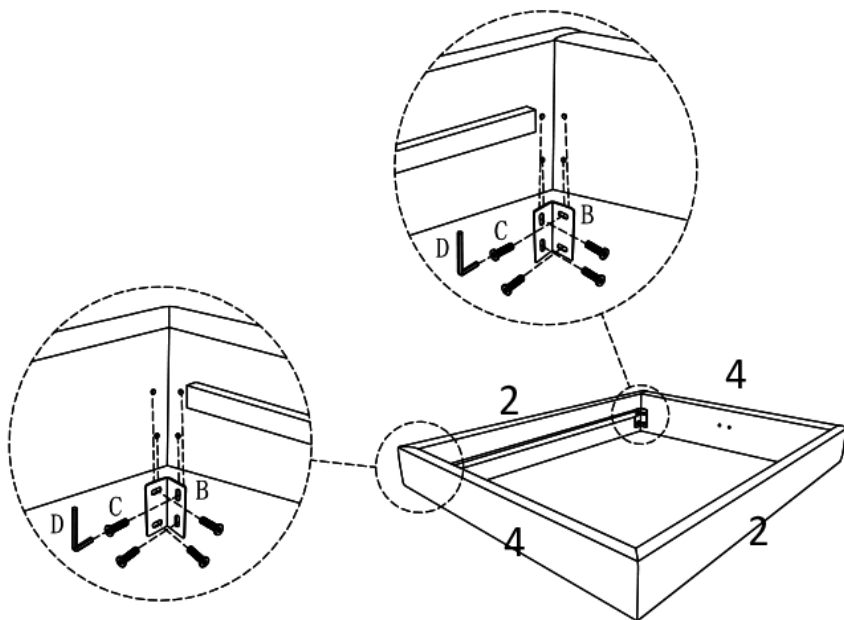
3: Fabric cover - ----- x1 CNT 1/2

4: Head / end rail ----- x2 CTN 2/2

5: Slat ----- x2 CNT 2/2



STEP 1



No. B
Quantity: 4 Pcs
connection



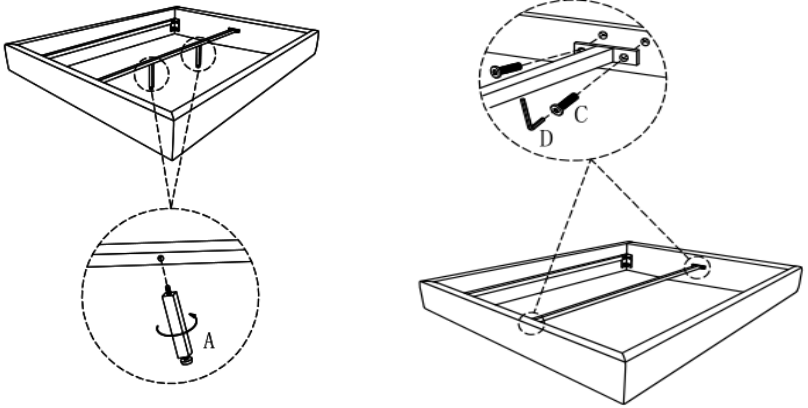
No. c
Quantity: 16 Pcs
Bolts



No. D
Quantity: 1 Pc
Allen key



STEP 2



No. A
Quantity : 2 Pcs
Legs
25*25mm



No. C
Quantity: 4 Pcs
Spring washer

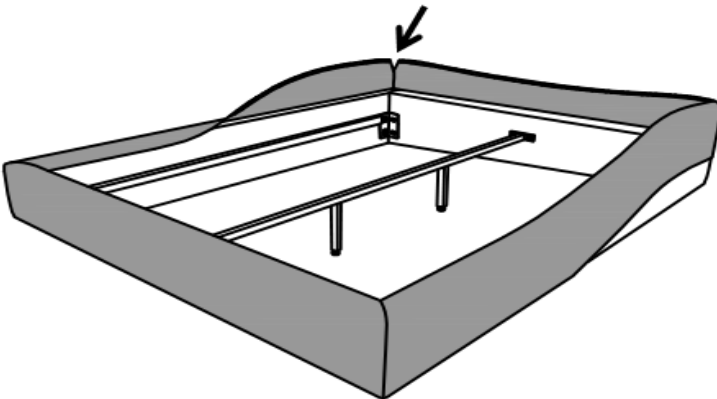


No. D
Quantity: 1 Pc
Allen key

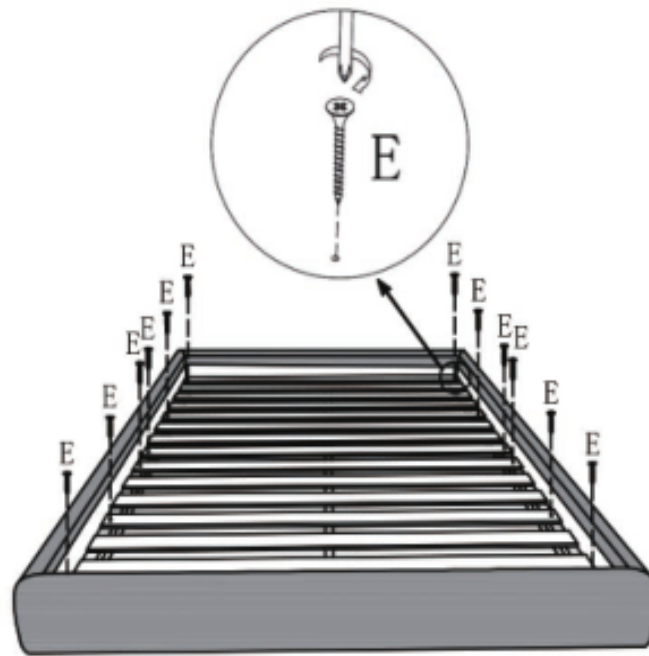


STEP 3

Put the slip cover on side rails of bed base ,sticked it by velcro which stitched on the fabric, please note the notch side of cover towards up .



STEP 4



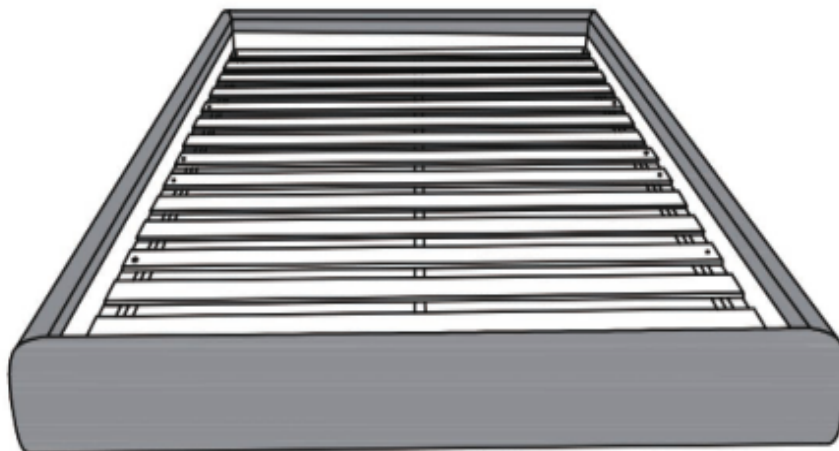
No. E

Quantity : 12 Pcs

Screw



STEP 5



Great job. You're done!

Don't forget to share how it looks in your space
and tag us on Instagram.

@lifelyhome #homewithlifely!