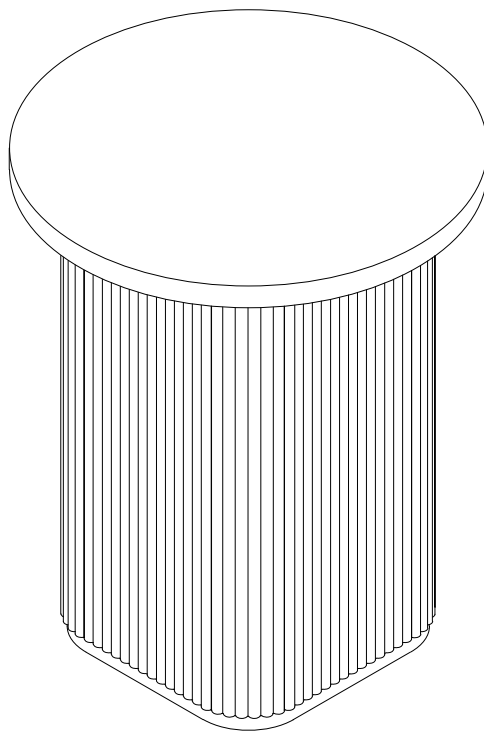


# Assembly Instructions

## Tate Series



# Eliving

### Product Code

TATE-ST-BLACK Side Table  
TATE-ST-NATURAL Side Table  
Dimensions(W x D x H)  
450x450x550mm

---

### Important

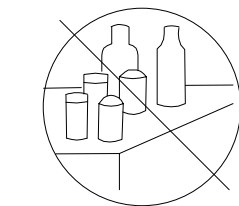
Please read through instruction carefully  
Before assembly and keep for future reference.

For our full catalogue of assembly instructions,  
Visit: [eliving.com.au/assembly](http://eliving.com.au/assembly).

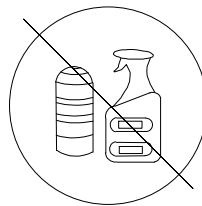
## Important Tips and Maintenance



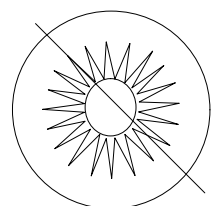
1. Keep children and animals away from working area as smaller parts may cause choking if swallowed.



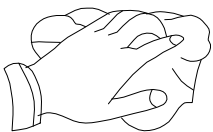
2. Never place liquids or anything damp upon furniture as it will mark. Ensure a coaster or running is beneath.



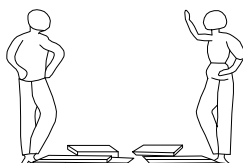
3. Never use ammonia based cleaning products as it will damage the finish.



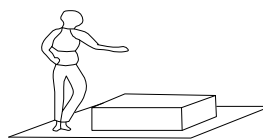
4. To avoid fading, keep furniture out of direct sunlight.



5. Use a soft or damp cloth (dry cloth) when wiping or cleaning surfaces.



6. Two person are required.



7. Lay a soft matt down to protect the furniture piece before and during assembly.

So your relationship is strong. But is it flat-pack furniture strong? Unless you're an aerospace engineer, assembling furniture can be slightly stressful. We recommend meditating quietly, pouring yourself a herbal tea (or slightly less herbal wine) and tackling things one step at a time. If you feel a passive aggressive remark coming on, try a compliment instead. E.g. "You're so good looking"

This 7-step assembly should take around 1 hour with an Allen Key - or 30 minutes with an electric drill. Godspeed.

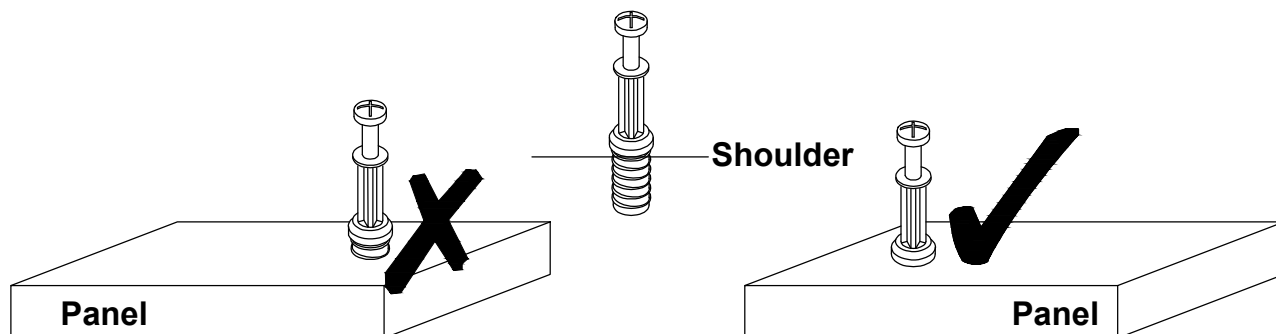
Designed for everyday

# Before Assembly

## Tips Before Your Start:

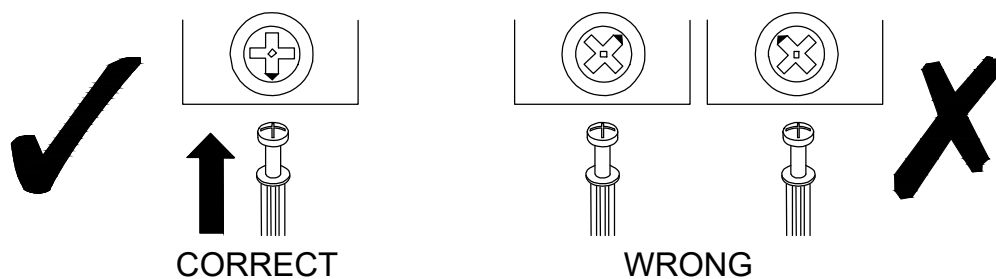
- Remove all wrapping material, including staples & packing straps before you start to assemble.
- DO NOT tighten all screws and bolts until completely assembled.
- Keep all hardware parts out of reach of children.

## QUICKFIT



Tighten quickfit until shoulder is flush with panel. Do not overtighten or undertighten.

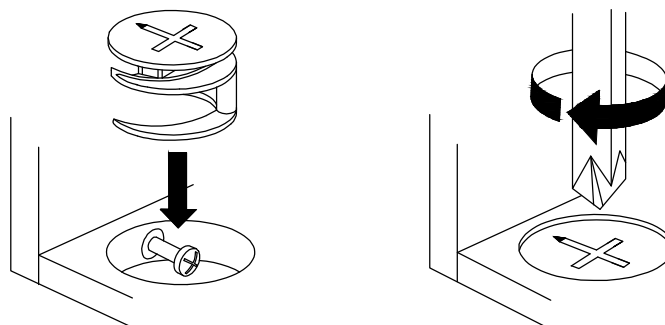
## CAM LOCK



When fitting cam lock, ensure starting position is correct before you insert connecting quickfit.

Quickfit head should be in the centre of the cam lock when the two panels are joined.

Cam lock should be inserted before quickfit.




Turn cam lock clockwise to tighten.


## Component Hardware

Please check you have all the fittings  
part or tools are listed in below.


No. A  
Quantity:20Pcs  
Cam Lock Dowel  
8\*28mm




No. B  
Quantity:24Pcs  
Dowel  
8\*30mm




No. C  
Quantity:20Pcs  
Cam Lock  
φ15mm




No. D  
Quantity:4Pcs  
Screw  
M6\*50



No. E  
Quantity:1Pc  
Allen Key  
4#



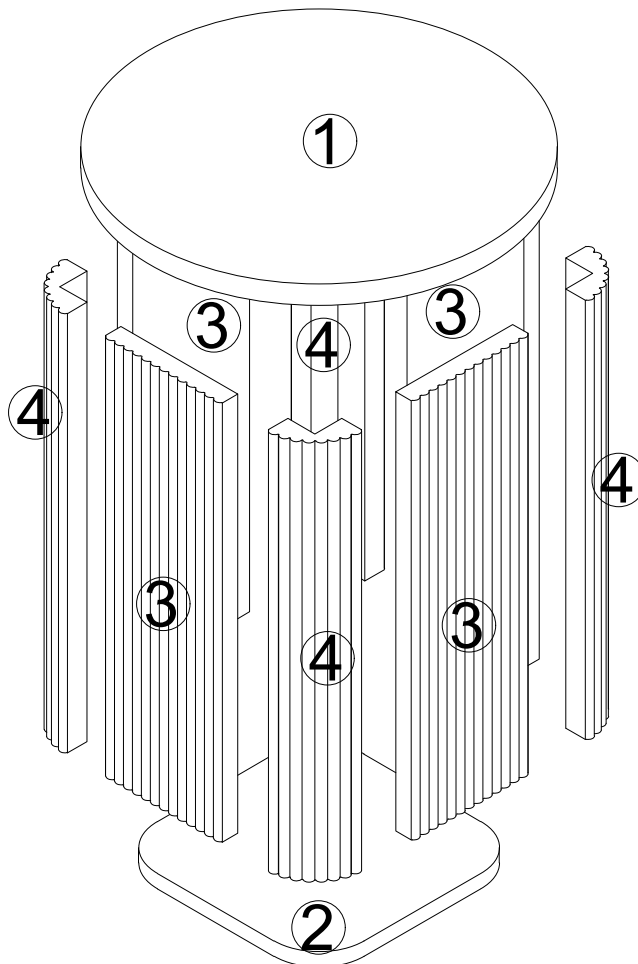
No. F  
Quantity:4Pc  
Foot Pad  
φ20



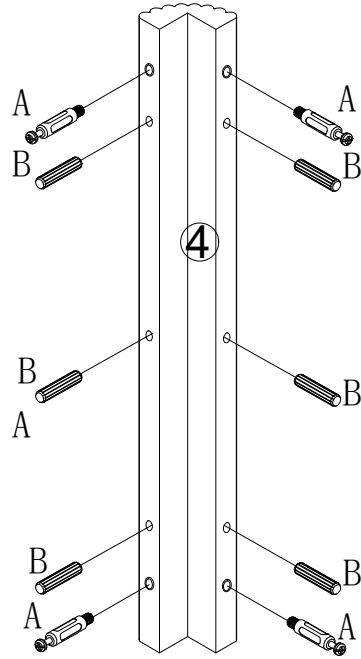
## Component Panels & part List

Please check you have all the panels  
are listed below.

1. Table Top ————— x1
2. Bottom Panel of Base ——— x1
3. Side Panel of Base ——— x4
4. Corner Rail of Base ——— x4



# STEP 1



No. A  
Quantity:16 Pcs  
Cam Lock Dowel  
8\*28mm

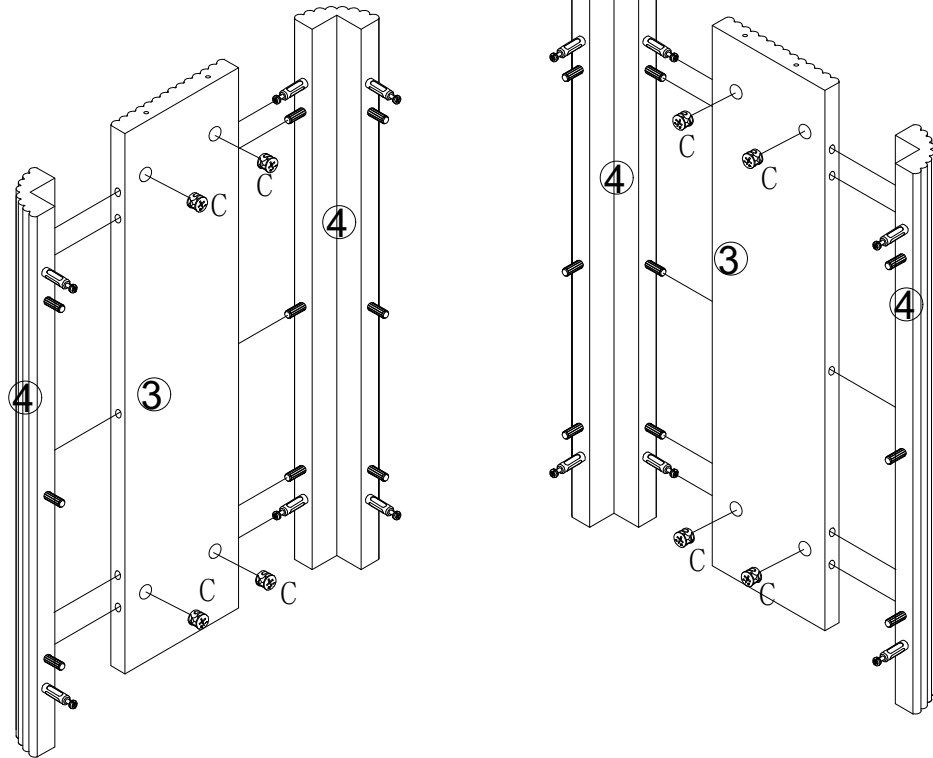


No. B  
Quantity:24 Pcs  
Dowel  
8\*30mm



# x4

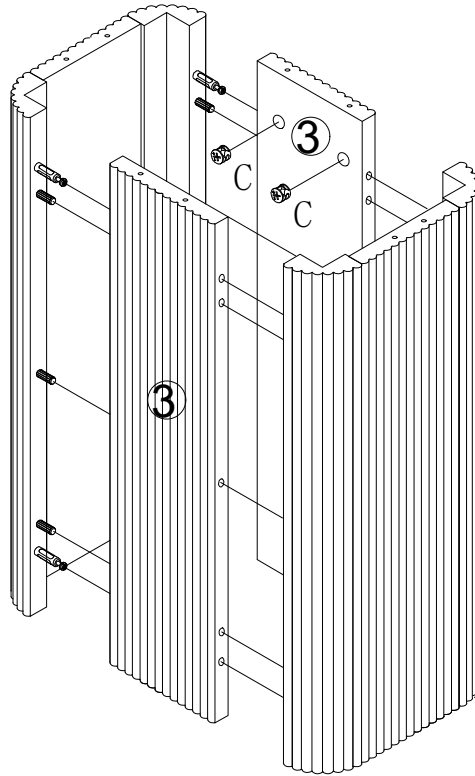
# STEP 2



No. C  
Quantity:8Pcs  
Cam Lock



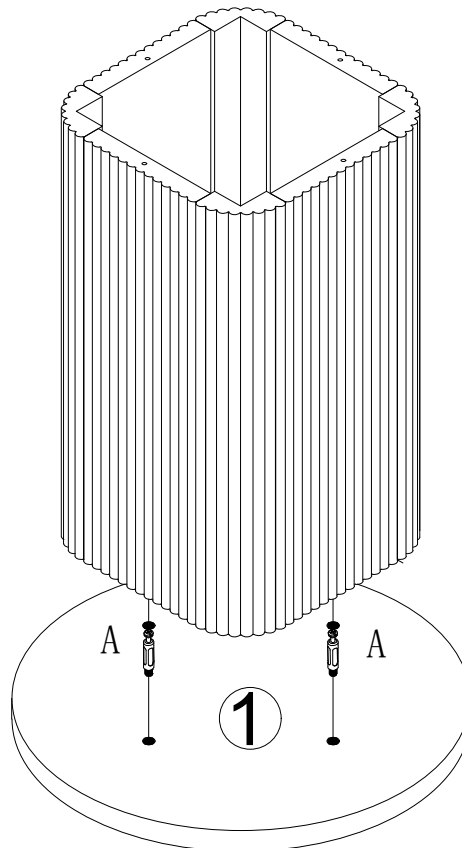
### STEP 3



No. C  
Quantity: 8 Pcs  
Cam Lock



### STEP 4



No. B  
Quantity: 4 Pcs  
Cam Lock Dowel  
8\*28mm

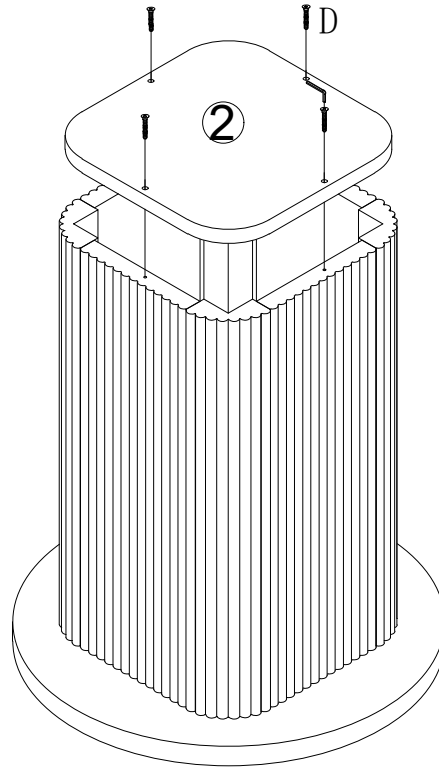


No. C  
Quantity: 4 Pcs  
Cam Lock  
φ15mm





## STEP 5



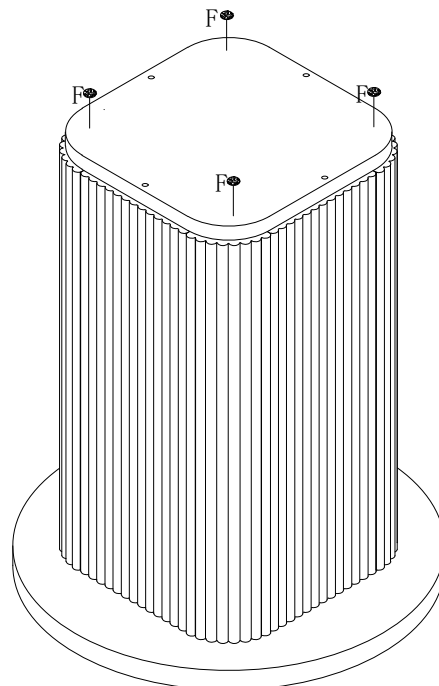
No. D  
Quantity:4 Pcs  
Screw  
M6\*50mm



No. E  
Quantity:1 Pc  
Allen Key  
4#



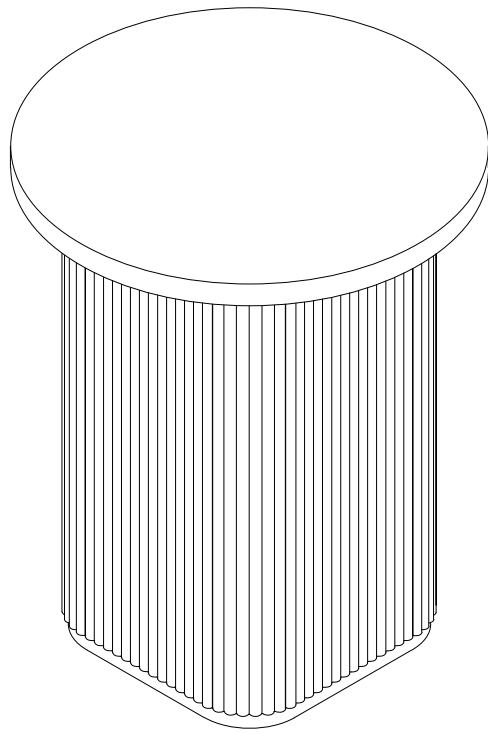
## STEP 6



No. F  
Quantity:4 Pcs  
Foot Pad  
 $\phi$ 20mm



STEP 7



[elivingfurniture.com.au](http://elivingfurniture.com.au)

**Great job. You're done!**

Don't forget to share how it looks in  
your space and tag us on Instagram.