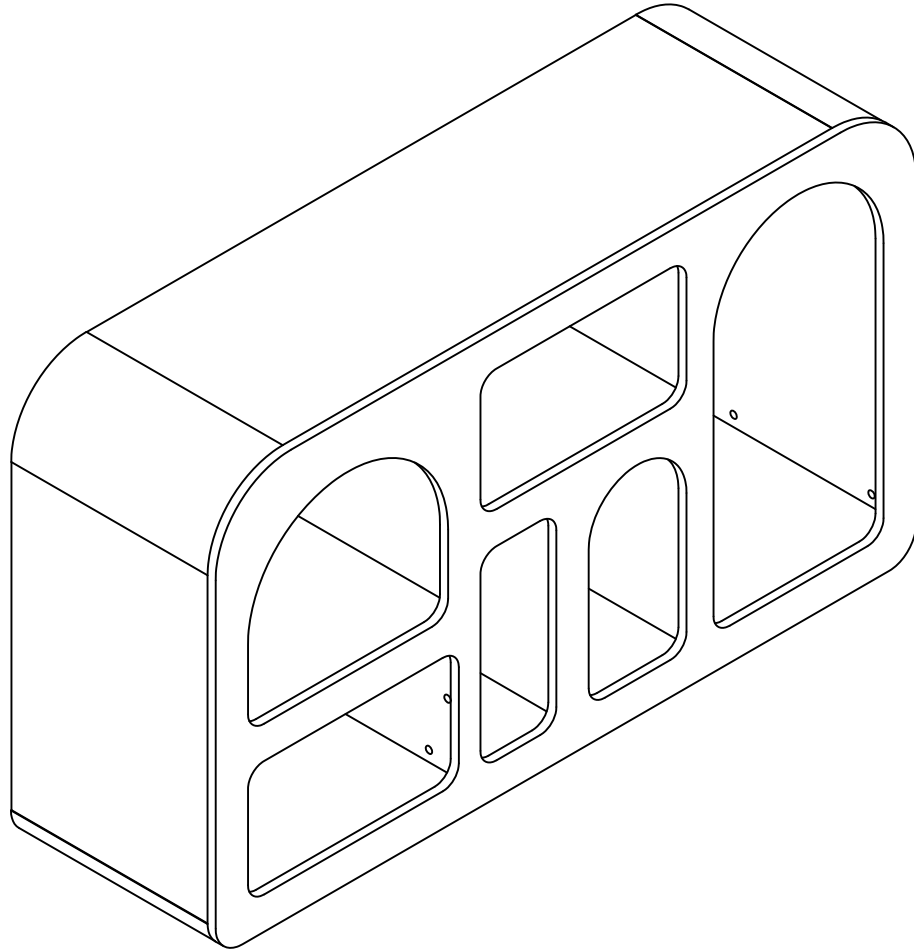


Assembly Instructions

Sorrento Series



Lifely*

Product Code

SRT-SB130-WHT Sideboard

Dimensions (W x D x H)

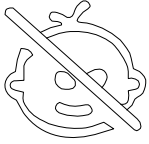
1300*380*750mm

Important

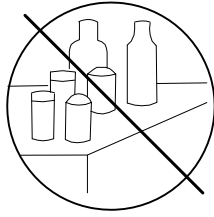
Please read through instruction carefully
Before assembly and keep for future reference.

For our full catalogue of assembly instructions,
Visit: lifely.com.au/assembly.

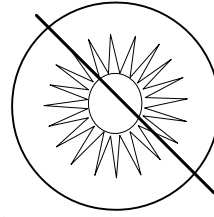
Important Tips and Maintenance



1. Keep children and animals away from working area as smaller parts may cause choking if swallowed.



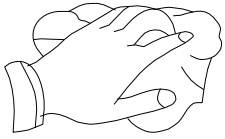
2. Never place liquids or anything damp upon furniture as it will mark. Ensure a coaster or running is beneath.



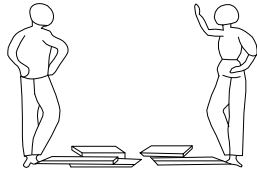
3. Never use ammonia based cleaning products as it will damage the finish.



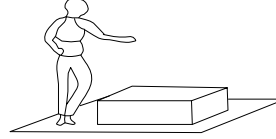
4. To avoid fading, keep furniture out of direct sunlight.



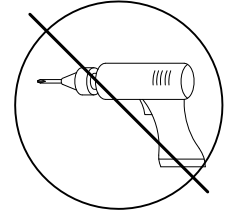
5. Use a soft or damp cloth (dry cloth) when wiping or cleaning surfaces.



6. Two person are required.



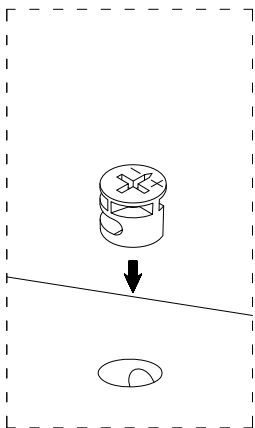
7. Lay a soft matt down to protect the furniture piece before and during assembly.



8. NO POWER TOOLS

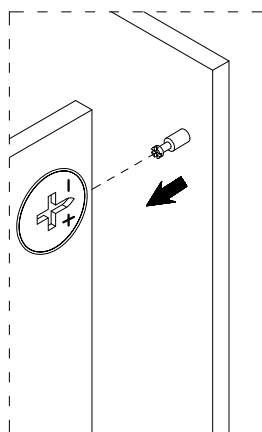
Important assemble Tips:

1



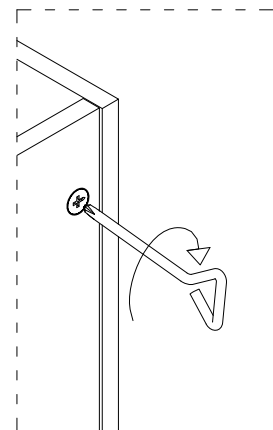
Clean the hole before put the Cam Lock into the hole on panel

2



Ensure the cam Lock on the right direction as drawing shows before Cam dowel insert to Cam lock

3



Do not tighten cam lock too much to avoid the potential board damage. Do not use electronic power tools to assemble.

So your relationship is strong. But is it flat-pack furniture strong? Unless you're an aerospace engineer, assembling furniture can be slightly stressful. We recommend meditating quietly, pouring yourself a herbal tea (or slightly less herbal wine) and tackling things one step at a time. If you feel a passive aggressive remark coming on, try a compliment instead. E.g. "You're so good looking" .

This 19-step assembly should take around one hour with an Allen key .

Designed for everyday

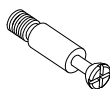
Component Hardware

Please check you have all the fittings
part or tools are listed in below.

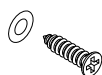
No. A
Quantity:66Pcs
Cam
 ϕ 15*10mm



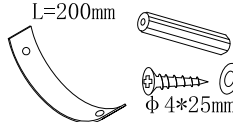
No. B
Quantity:66Pcs
Cam Lock Dowel
 ϕ 7*25



No. C
Quantity:2Pcs
Screw
 ϕ 3.5*12mm



No. D
Quantity:2Pcs
Anti - dumping
L=200mm



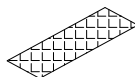
No. E
Quantity:1Pc
Key
5mm



No. F
Quantity:66Pc
Cover
 ϕ 20mm



No. G
Quantity:6Pcs
EVA Pad
25*40mm



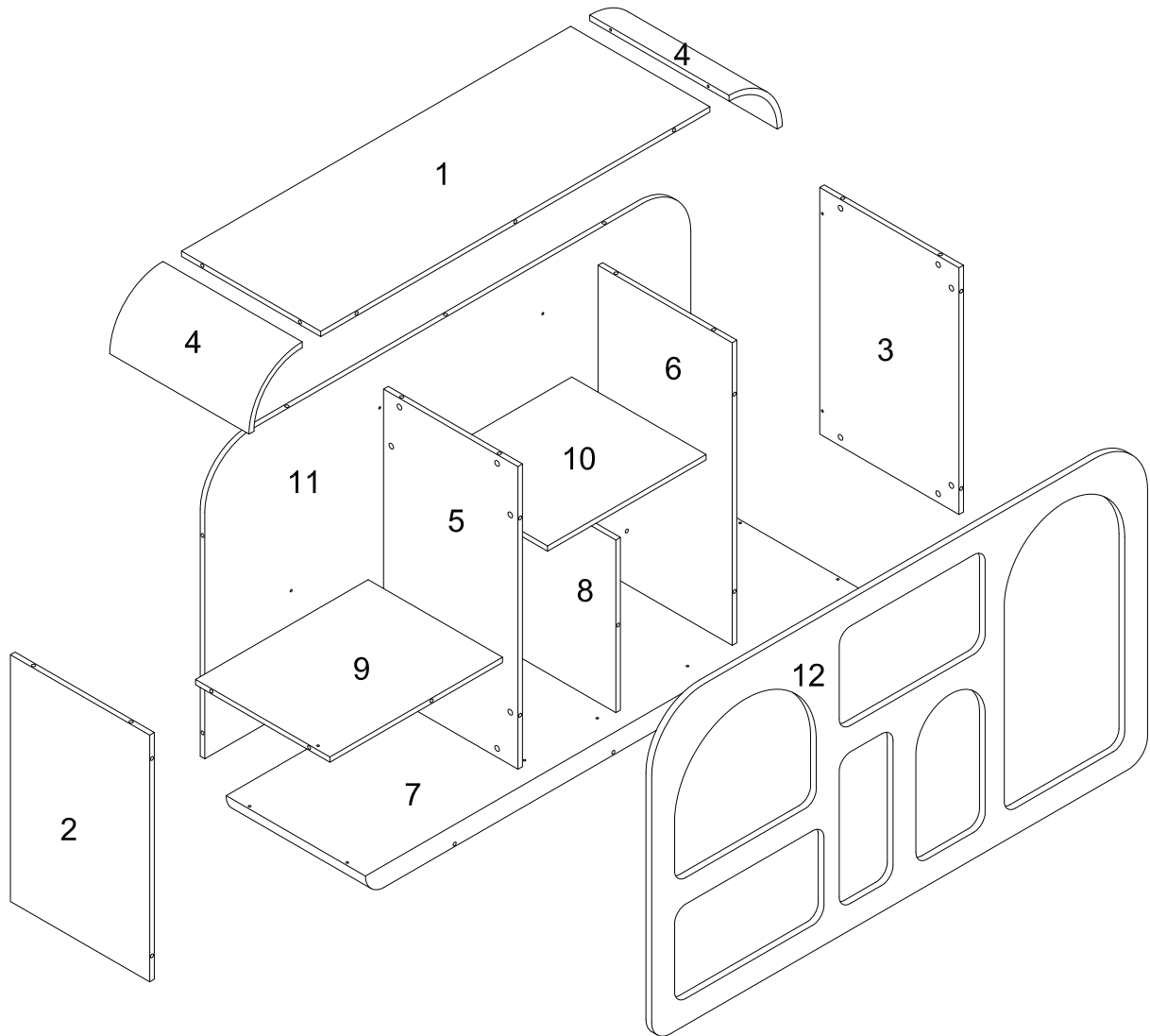
No. H
Quantity:1 Pair
Gloves



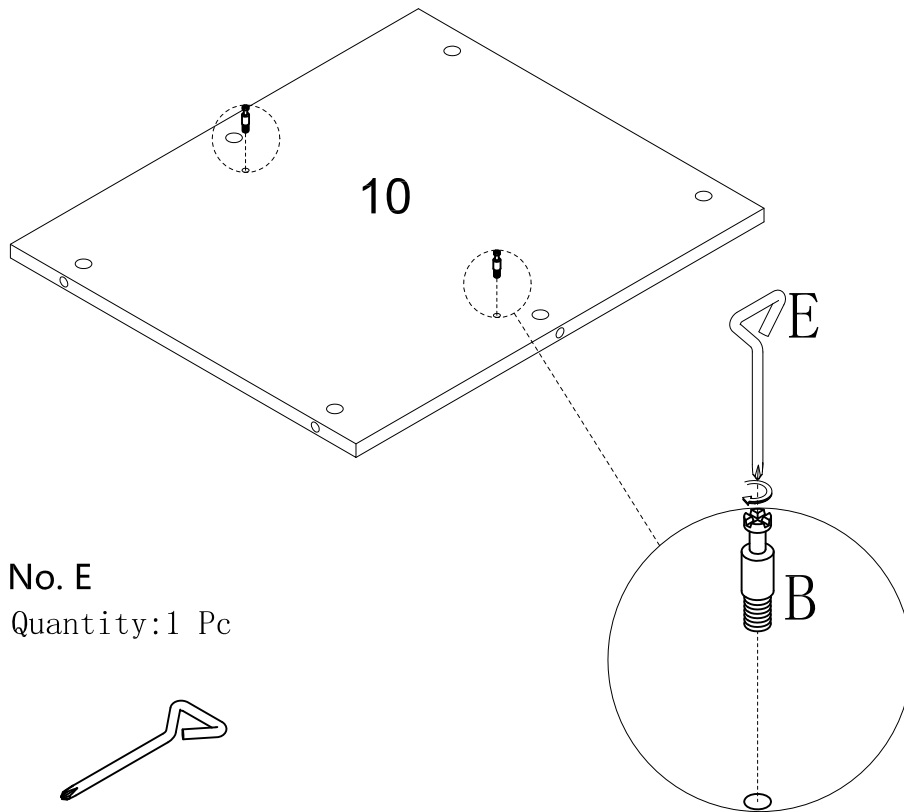
Component Panels & part List

Please check you have all the panels are listed below.

- | | | | |
|-----------------------------|---------|--------------------------------|---------|
| 1. Top panel-----x1 | CTN 2/2 | 8. Center support panel-----x1 | CTN 2/2 |
| 2. Side panel-Left-----x1 | CTN 1/2 | 9. Shelf-Left-----x1 | CTN 1/2 |
| 3. Side panel-Right-----x1 | CTN 1/2 | 10. Shelf-Middle-----x1 | CTN 1/2 |
| 4. Arc edge-----x2 | CTN 1/2 | 11. Back panel-----x1 | CTN 2/2 |
| 5. Middle panel-Left-----x1 | CTN 2/2 | 12. Front panel-----x1 | CTN 2/2 |
| 6. Middle panel-Right----x1 | CTN 1/2 | | |
| 7. Bottom panel-----x1 | CTN 1/2 | | |



STEP 1



No. B
Quantity: 2 Pcs

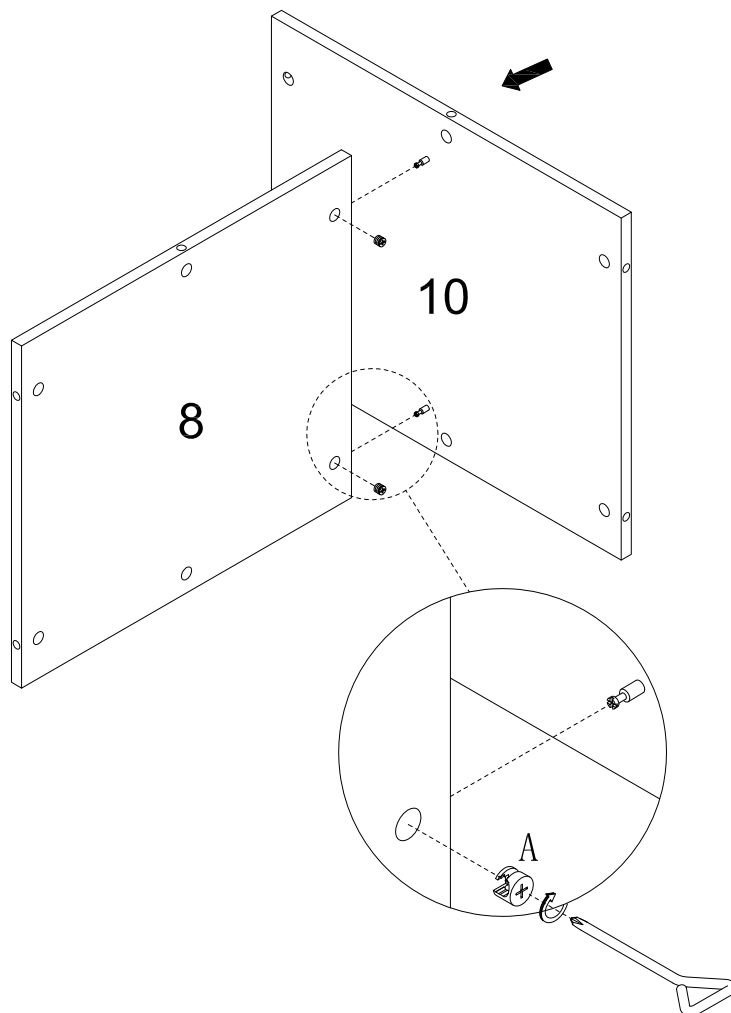
Ø7*25mm



No. E
Quantity: 1 Pc



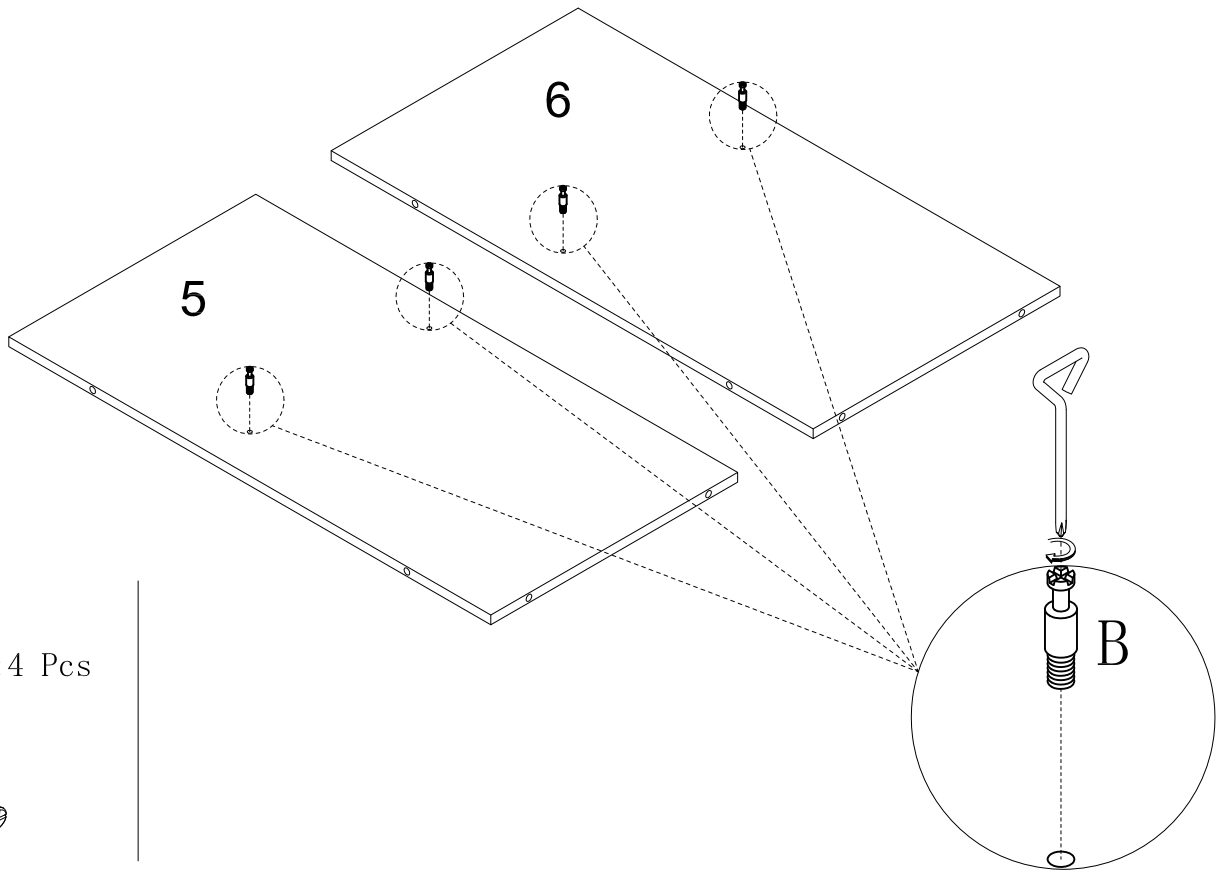
Do not tighten bolts until cam lock dowel are aligned then fully tighten
STEP 2



No. A
Quantity: 2Pcs

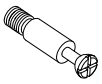


STEP 3

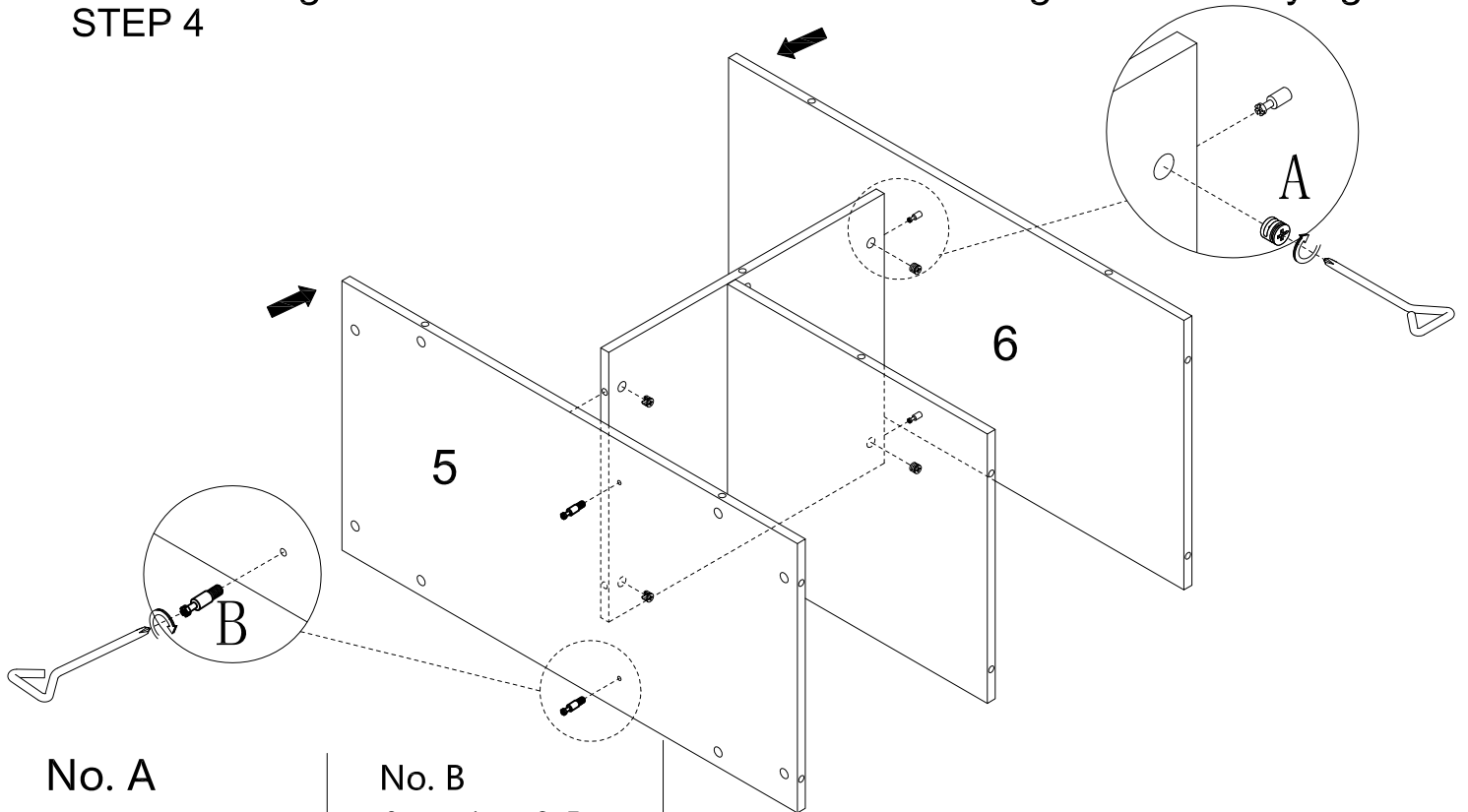


No. B
Quantity: 4 Pcs

Ø7*25mm



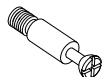
Do not tighten bolts until cam lock dowel are aligned then fully tighten
STEP 4



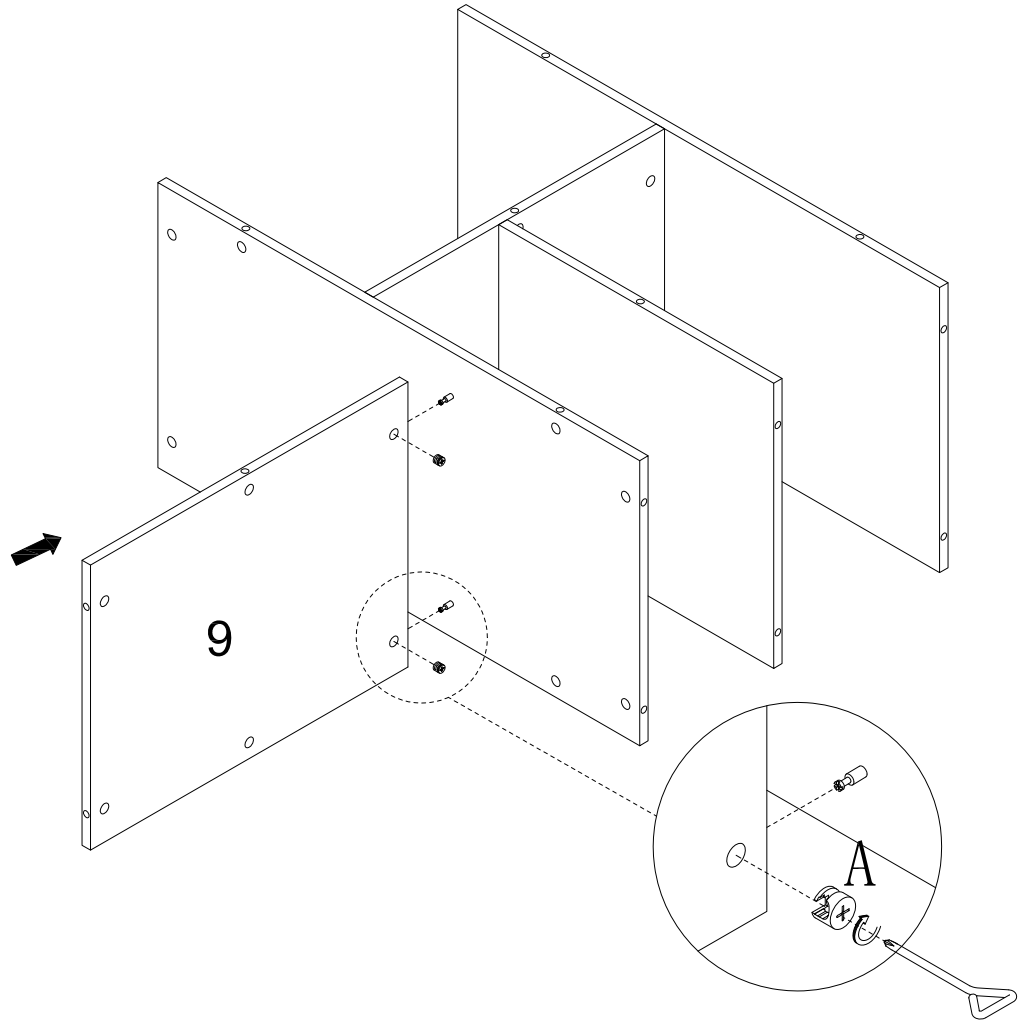
No. A
Quantity: 4 Pcs



No. B
Quantity: 2 Pcs



Do not tighten bolts until cam lock dowel are aligned then fully tighten
STEP 5

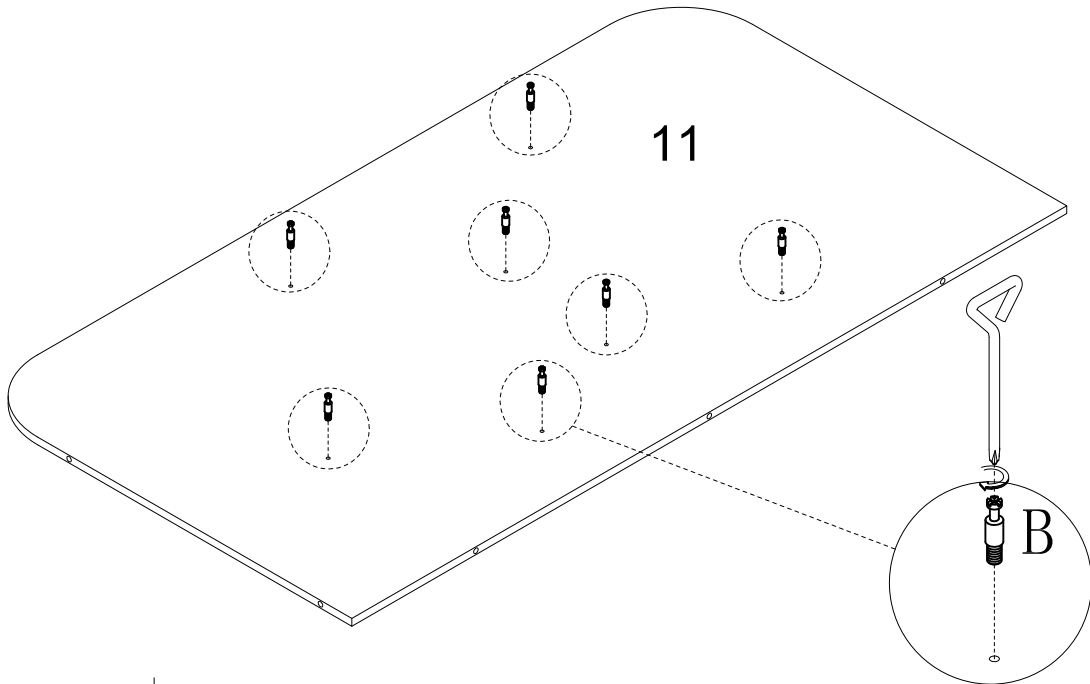


No. A

Quantity: 2Pcs



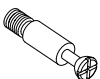
STEP 6



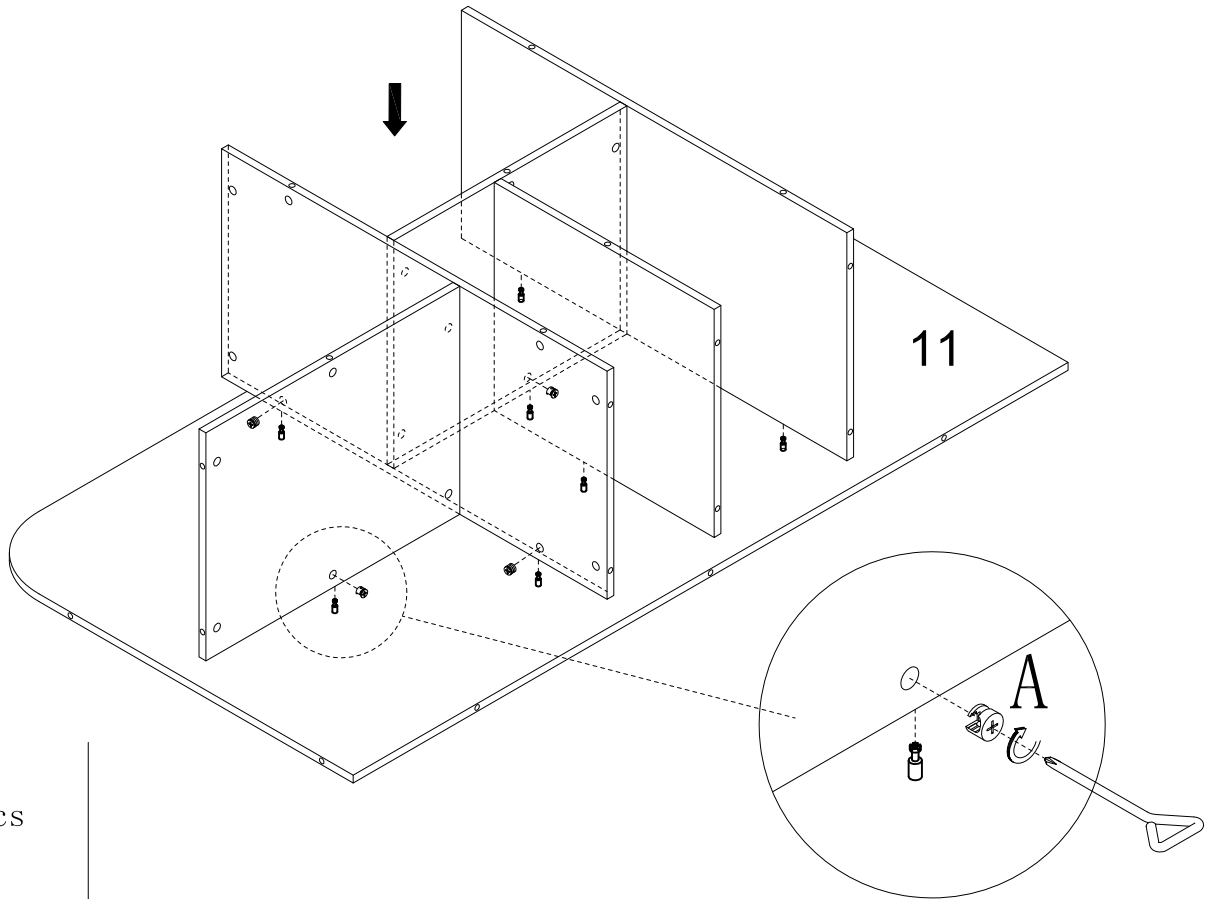
No. B

Quantity: 7 Pcs

Ø7*25mm



Do not tighten bolts until cam lock dowel are aligned then fully tighten
STEP 7

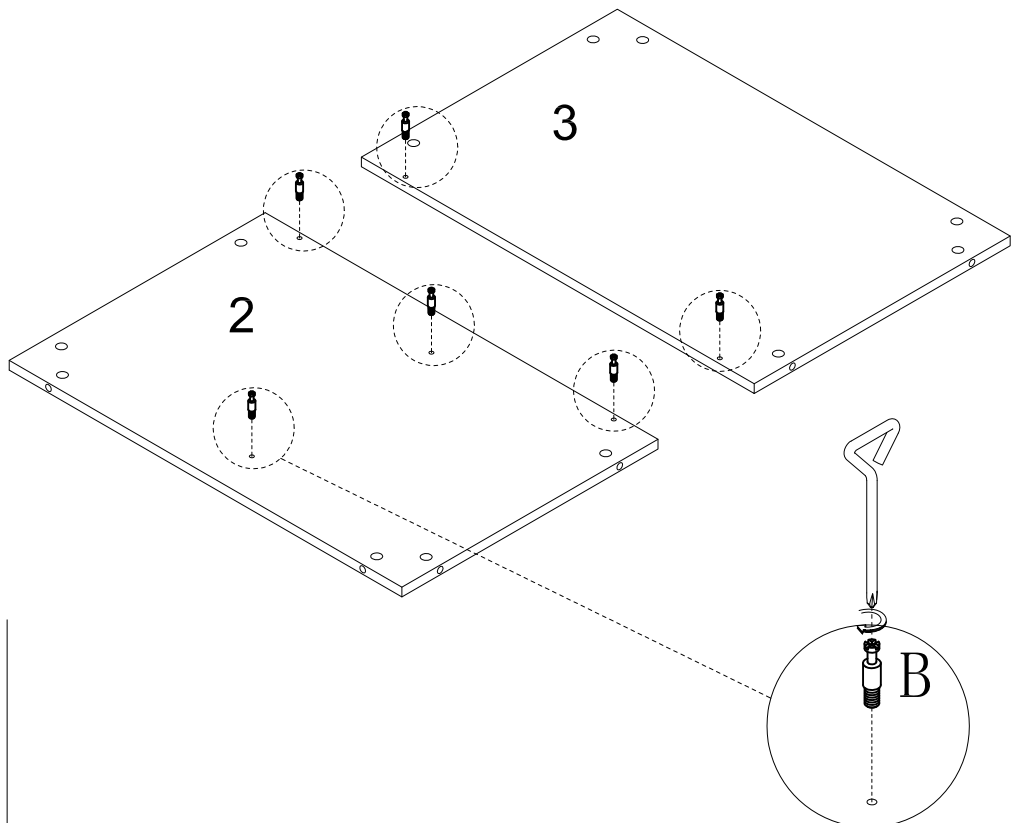


No. A

Quantity: 7Pcs



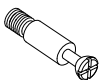
STEP 8



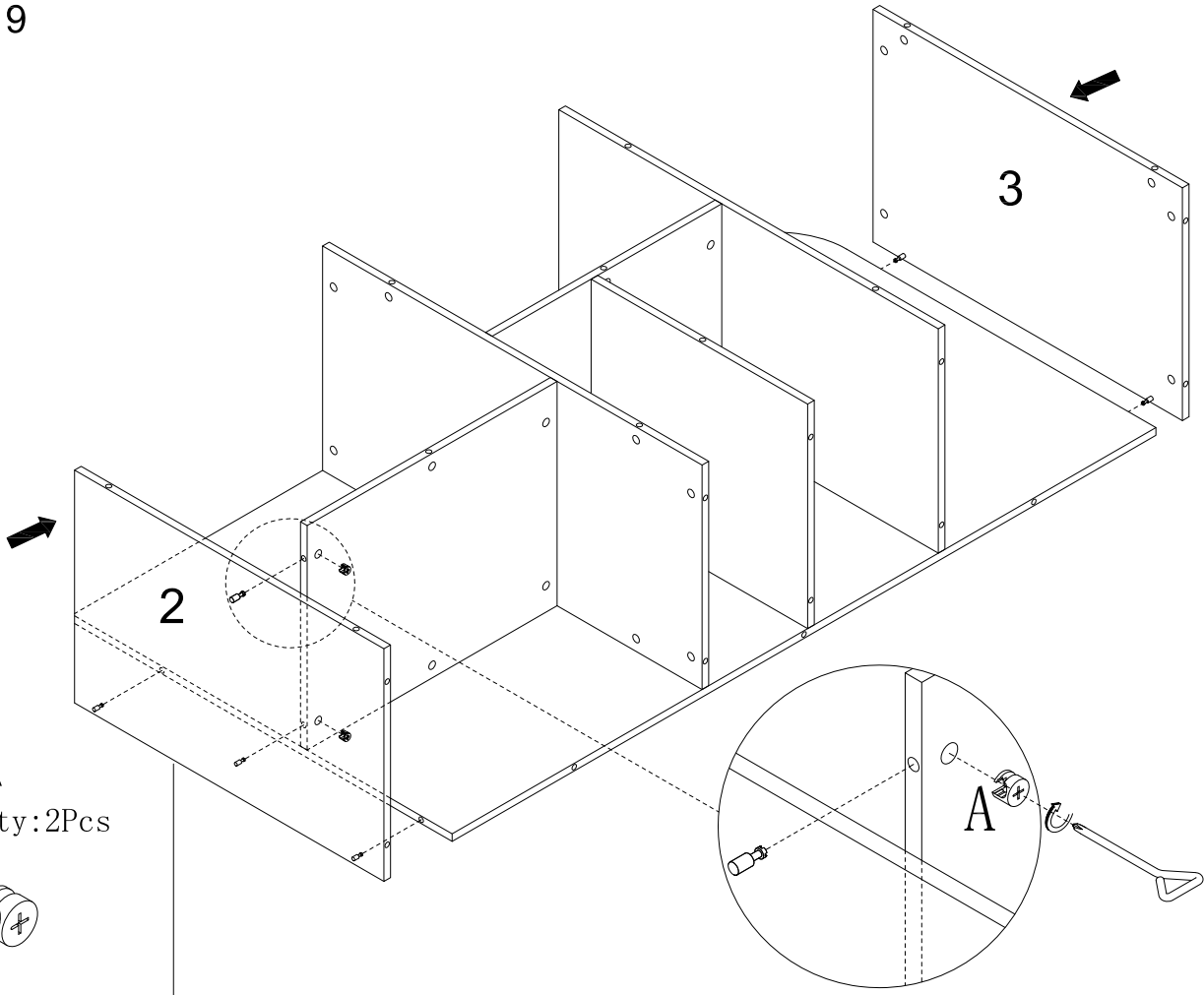
No. B

Quantity: 6 Pcs

Ø7*25mm



Do not tighten bolts until cam lock dowel are aligned then fully tighten
STEP 9

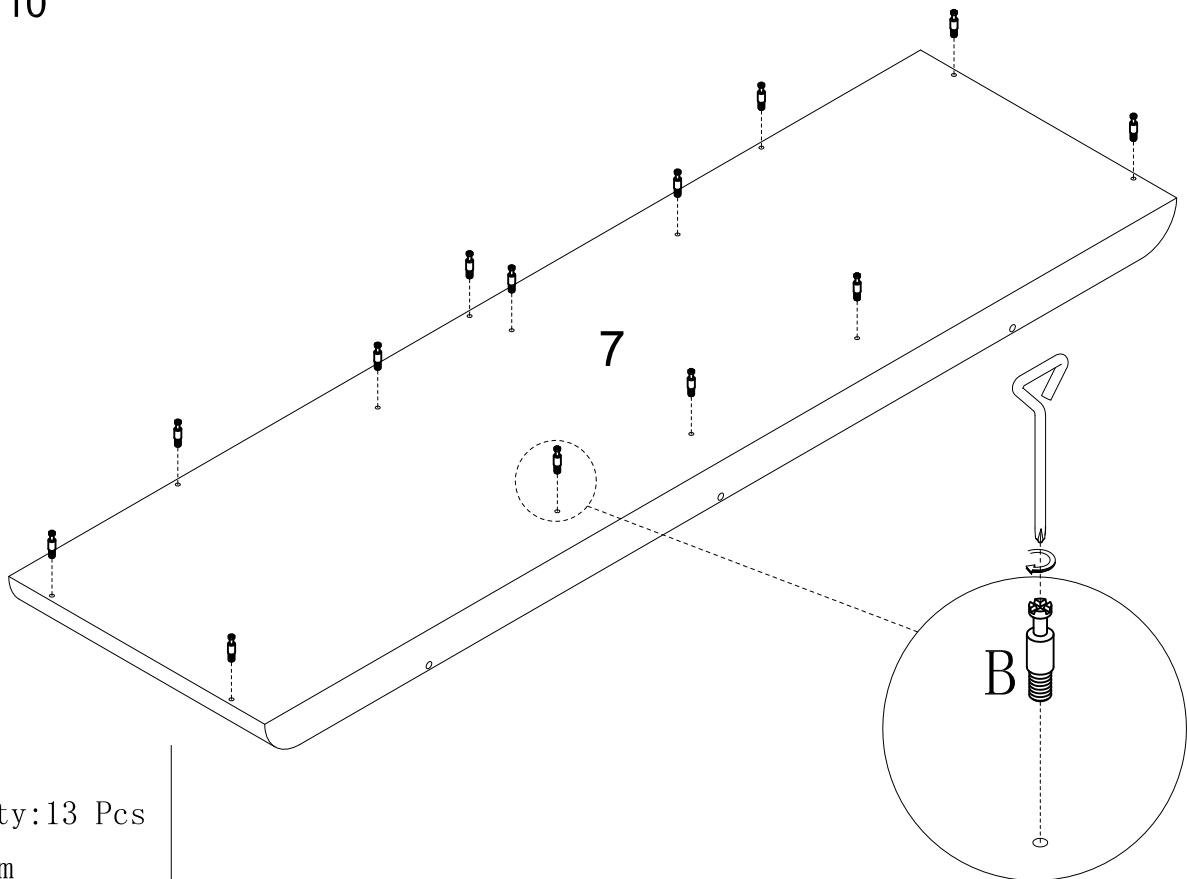


No. A

Quantity: 2Pcs



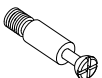
STEP 10



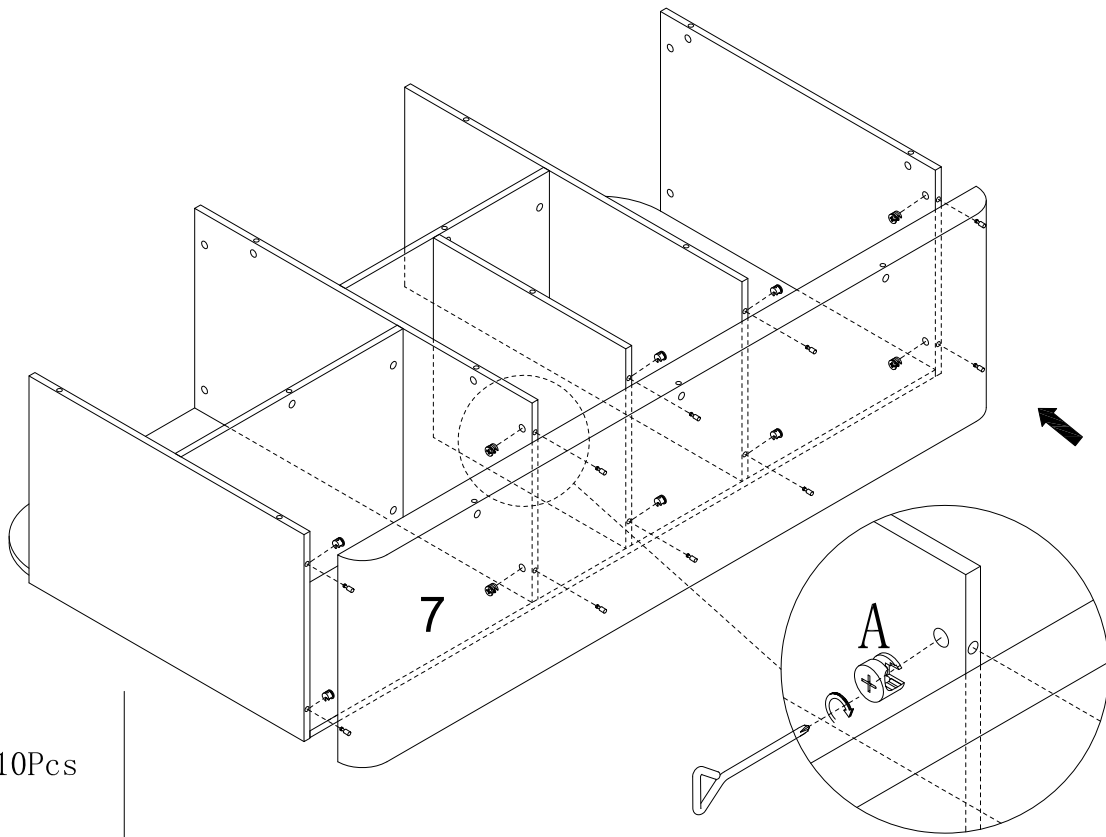
No. B

Quantity: 13 Pcs

Ø7*25mm



Do not tighten bolts until cam lock dowel are aligned then fully tighten
STEP 11

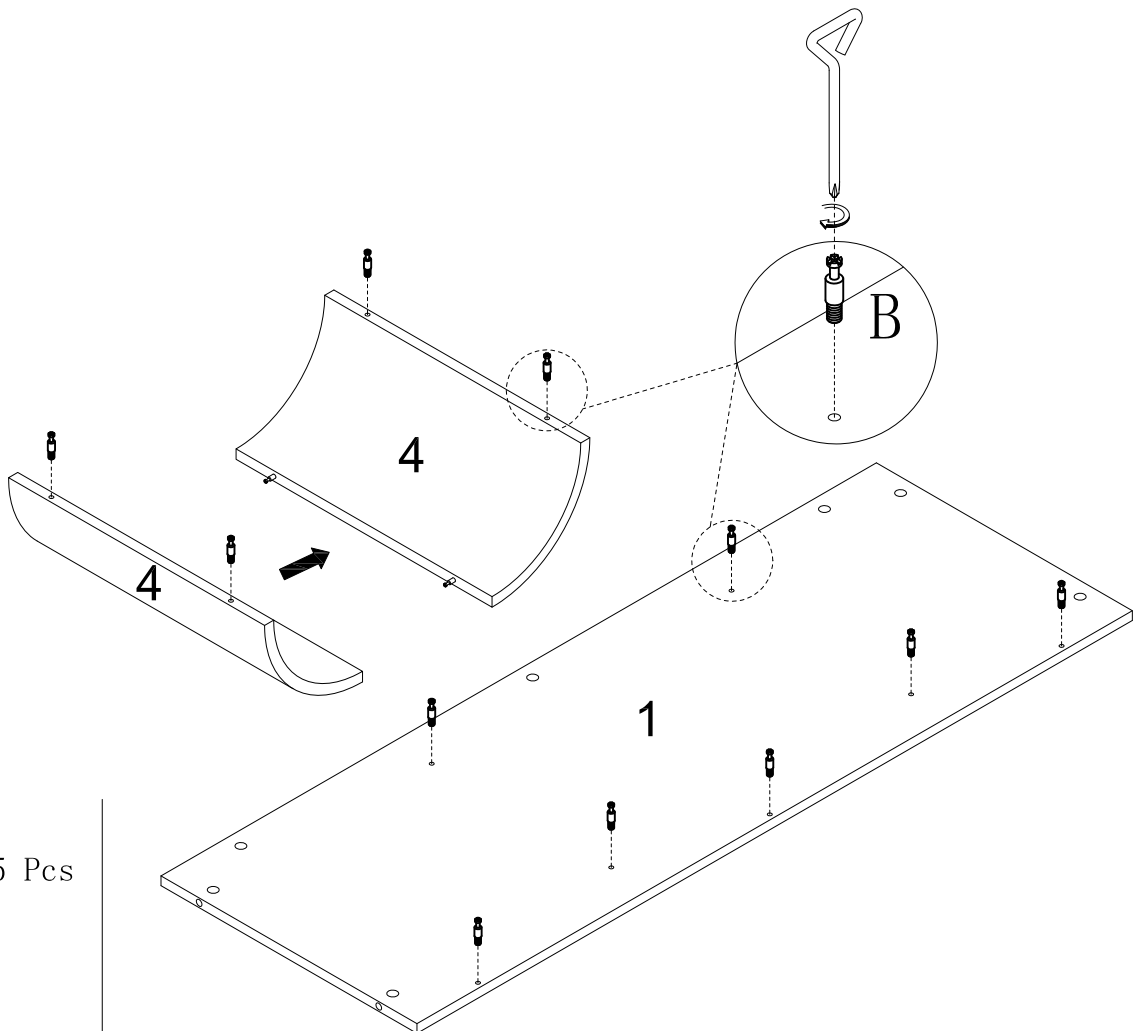


No. A

Quantity:10Pcs



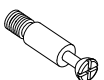
STEP 12



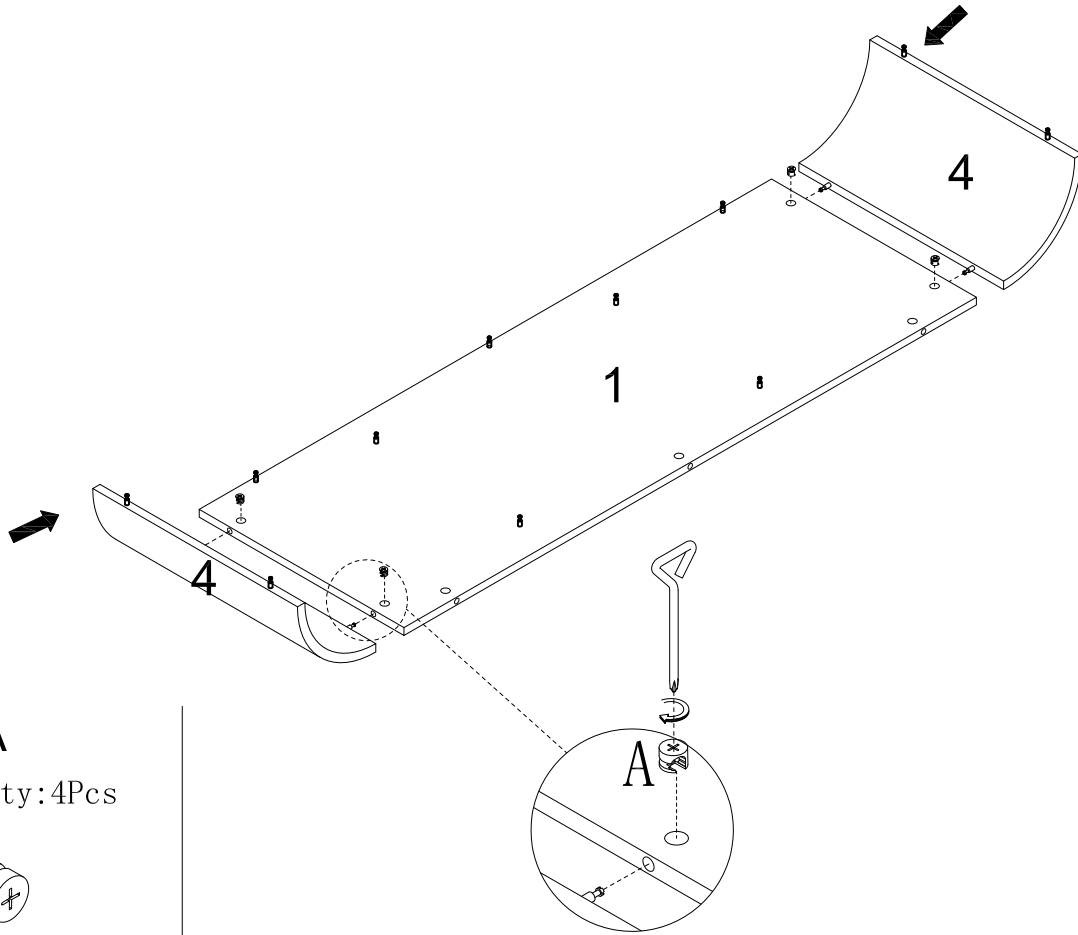
No. B

Quantity:15 Pcs

Ø7*25mm



Do not tighten bolts until cam lock dowel are aligned then fully tighten
STEP 13

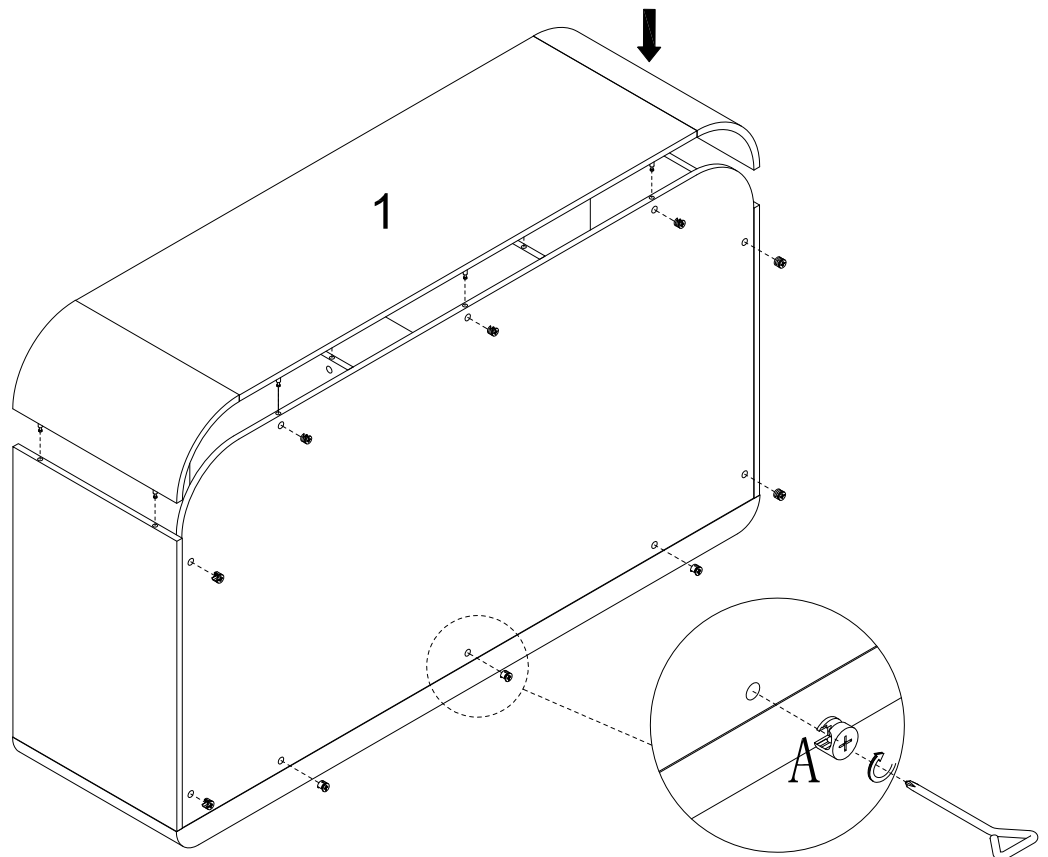


No. A

Quantity: 4Pcs



Do not tighten bolts until cam lock dowel are aligned then fully tighten
STEP 14

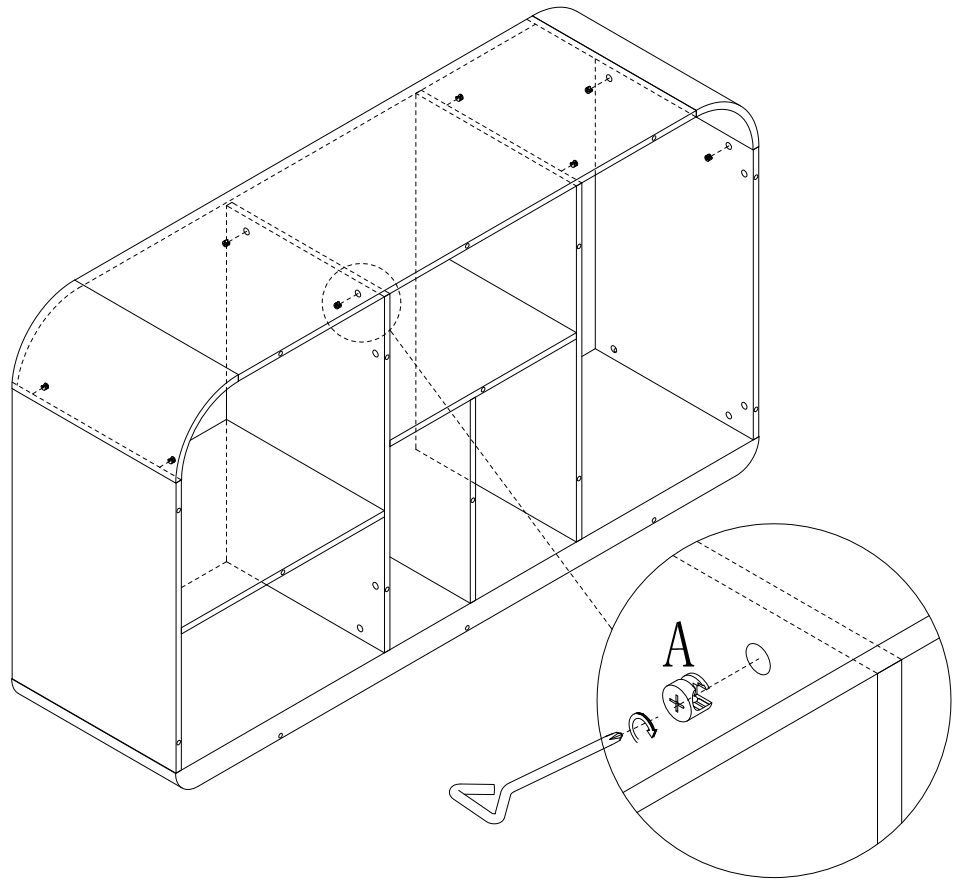


No. A

Quantity: 10Pcs



Do not tighten bolts until cam lock dowel are aligned then fully tighten
STEP 15

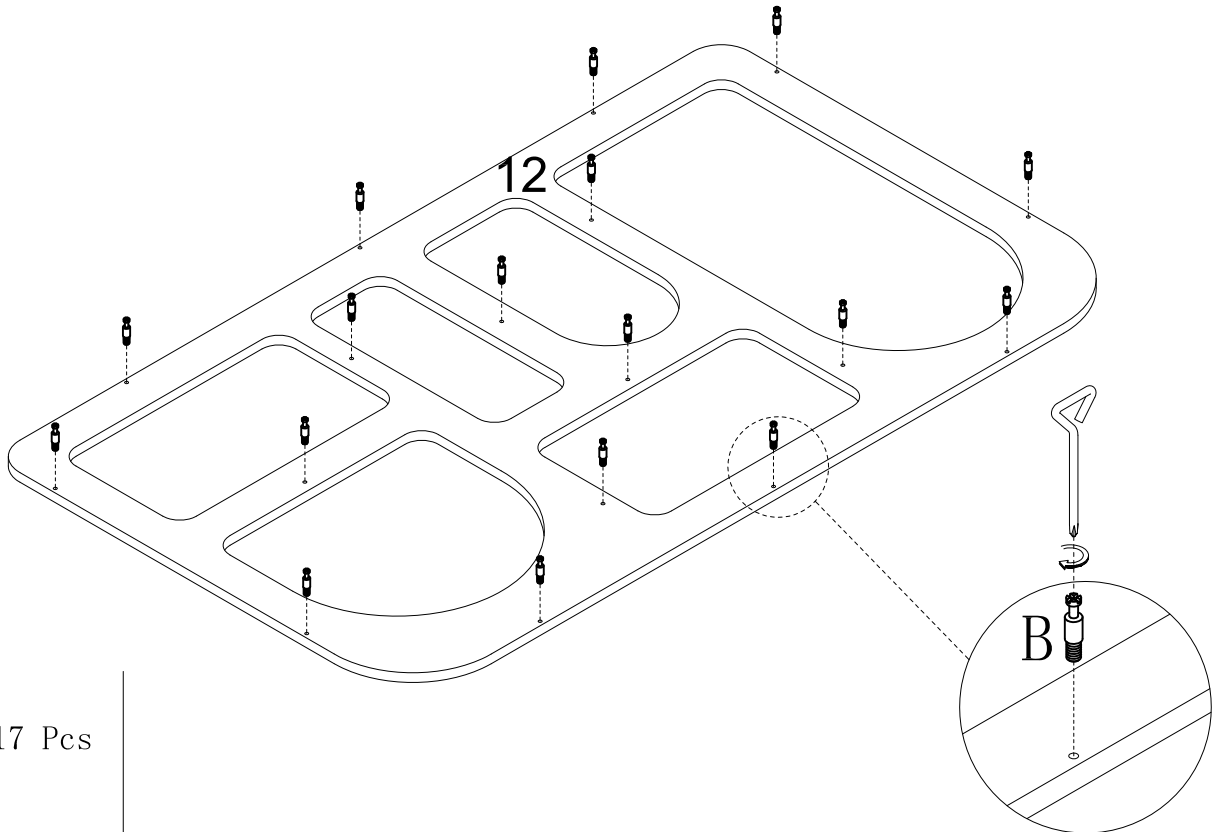


No. A

Quantity: 8Pcs



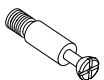
STEP 16



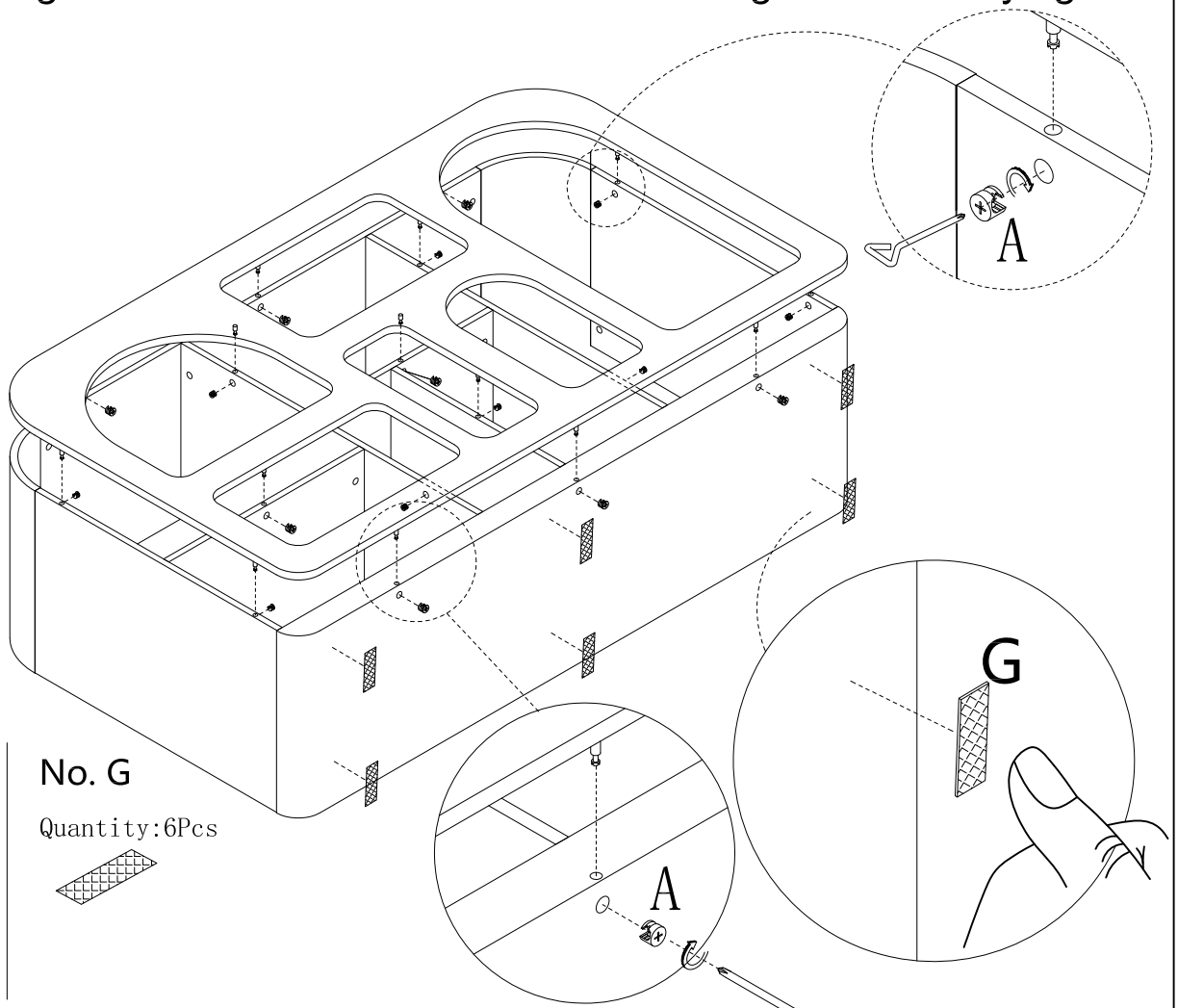
No. B

Quantity: 17 Pcs

Ø7*25mm



Do not tighten bolts until cam lock dowel are aligned then fully tighten
STEP 17



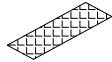
No. A

Quantity:17Pcs

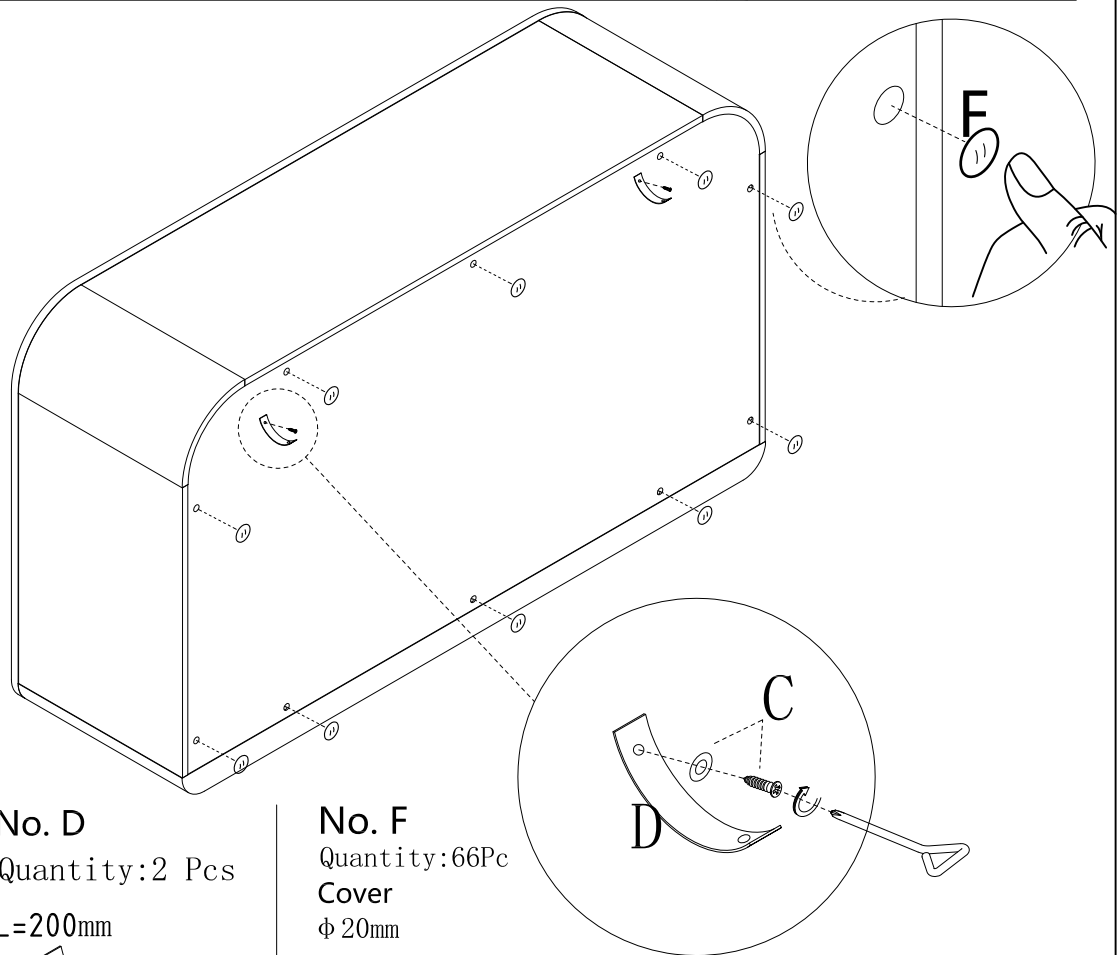


No. G

Quantity:6Pcs



STEP 18



No. C

Quantity:2 Pcs

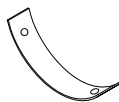
Ø3.5*12mm



No. D

Quantity:2 Pcs

L=200mm



No. F

Quantity:66Pc

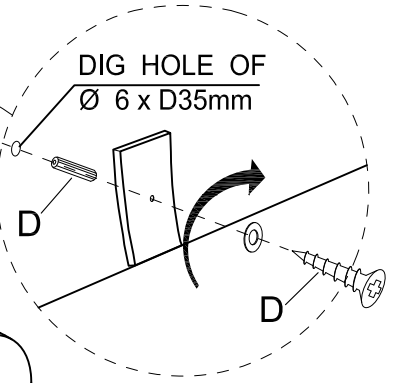
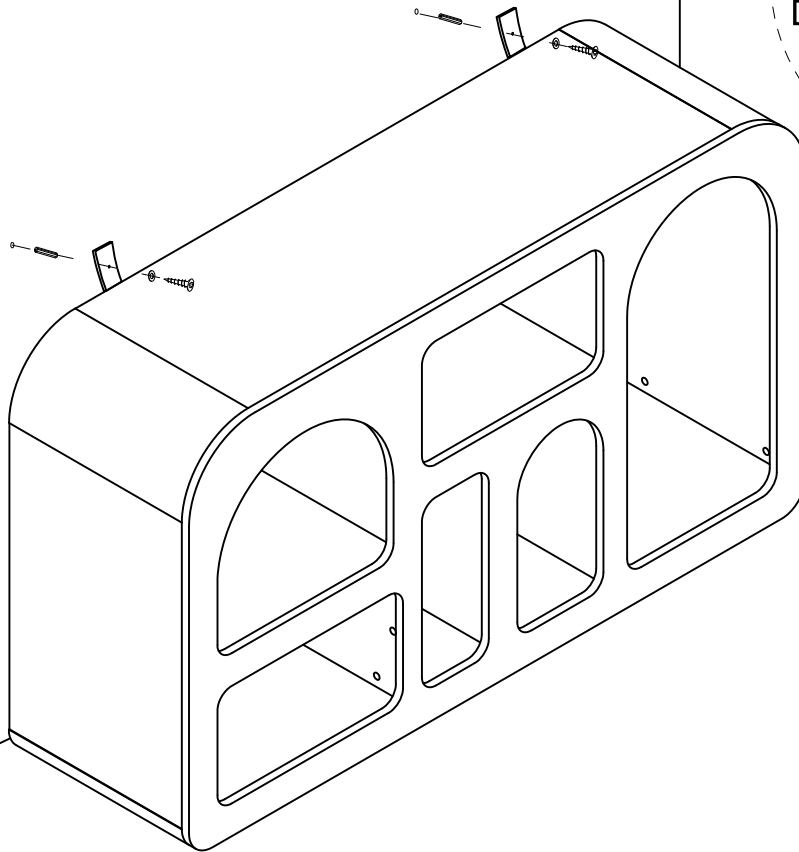
Cover

Φ 20mm

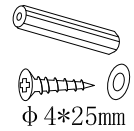


STEP 19

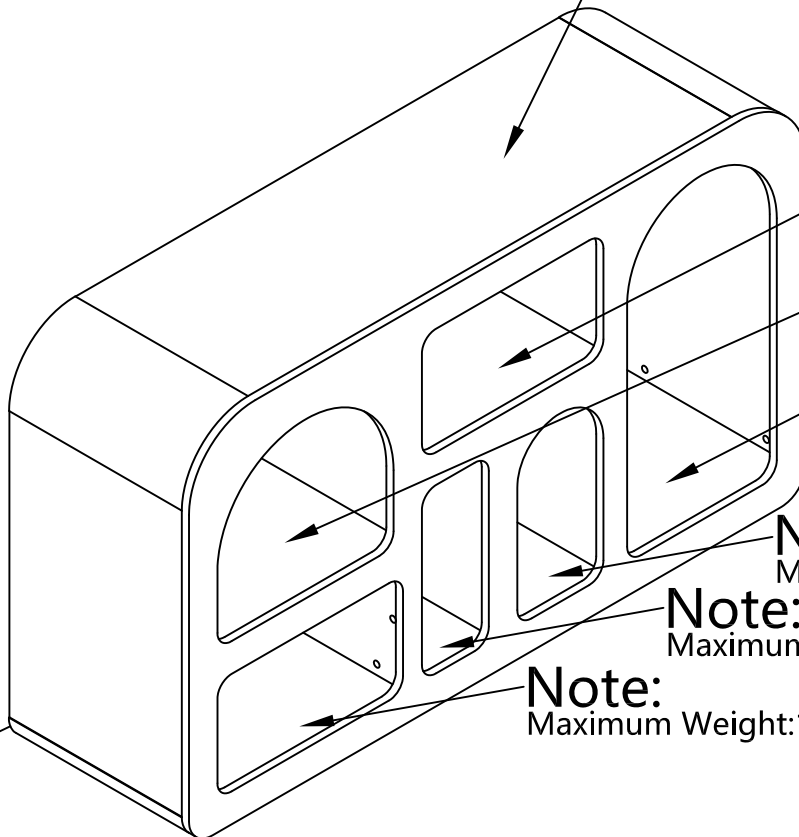
WALL



No. D
Quantity: 2Pcs



WALL



Note:
Maximum Weight: 30 Kgs

Note:
Maximum Weight: 10 Kgs

Note:
Maximum Weight: 10 Kgs

Note:
Maximum Weight: 10 Kgs

Note:
Maximum Weight: 10 Kgs

Note:
Maximum Weight: 10 Kgs

Note:
Maximum Weight: 10 Kgs