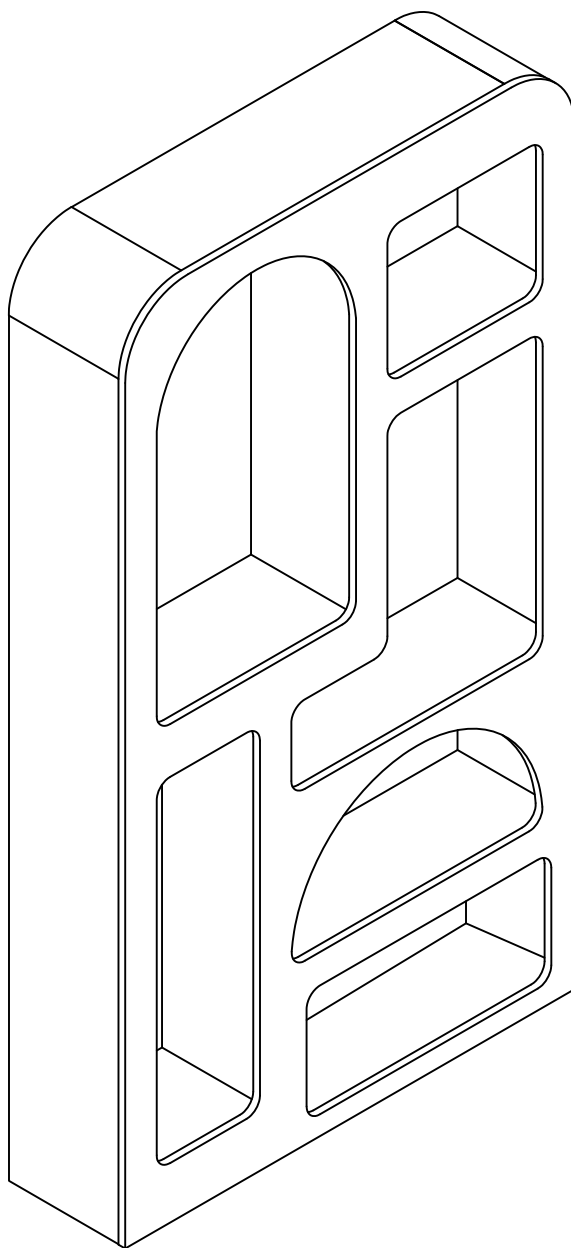


Assembly Instructions

Sorrento Series



Lifely*

Product Code

SRT-DS100-WHT Display Cabinet

Dimensions (W x D x H)

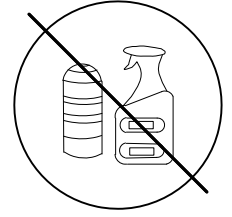
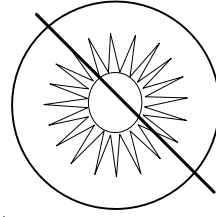
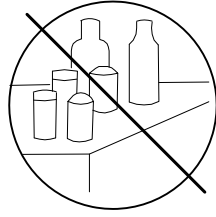
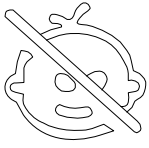
1000*260*1810mm

Important

Please read through instruction carefully
Before assembly and keep for future reference.

For our full catalogue of assembly instructions,
Visit: lifely.com.au/assembly.

Important Tips and Maintenance

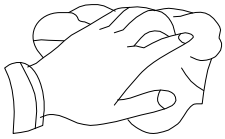


1. Keep children and animals away from working area as smaller parts may cause choking if swallowed.

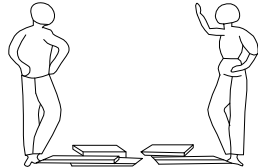
2. Never place liquids or anything damp upon furniture as it will mark. Ensure a coaster or running is beneath.

3. Never use ammonia based cleaning products as it will damage the finish.

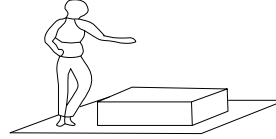
4. To avoid fading, keep furniture out of direct sunlight.



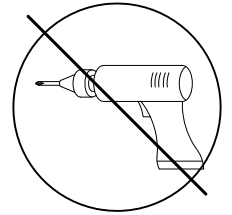
5. Use a soft or damp cloth (dry cloth) when wiping or cleaning surfaces.



6. Two person are required.



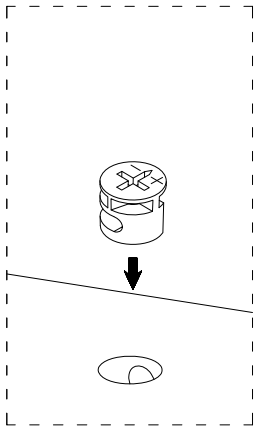
7. Lay a soft mat down to protect the furniture piece before and during assembly.



8. NO POWER TOOLS

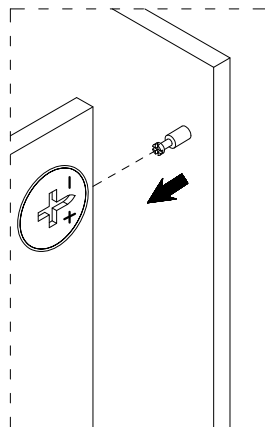
Important assemble Tips:

1



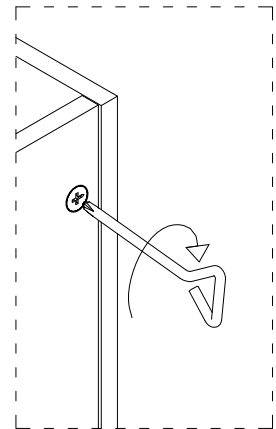
Clean the hole before put the Cam Lock into the hole on panel

2



Ensure the cam Lock on the right direction as drawing shows before Cam dowel insert to Cam lock

3



Do not tighten cam lock too much to avoid the potential board damage. Do not use electronic power tools to assemble.

So your relationship is strong. But is it flat-pack furniture strong? Unless you're an aerospace engineer, assembling furniture can be slightly stressful. We recommend meditating quietly, pouring yourself a herbal tea (or slightly less herbal wine) and tackling things one step at a time. If you feel a passive aggressive remark coming on, try a compliment instead. E.g. "You're so good looking" .

This 20-step assembly should take around 75 minutes with an Allen key.

Designed for everyday

Component Hardware

Please check you have all the fittings part or tools are listed in below.

No. A

Quantity:94Pcs

Cam

ϕ 15*10mm

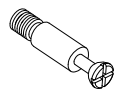


No. B

Quantity:94Pcs

Cam lock dowel

ϕ 7*25



No. C

Quantity:2Pcs

Screw

ϕ 3.5*12mm



No. D

Quantity:2Pcs

Anti - dumping

L=200mm



ϕ 4*25mm

No. E

Quantity:1Pcs

Key

5mm



No. F

Quantity:94Pcs

Cover

ϕ 20mm

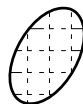


No. G

Quantity:6Pcs

EVA Pad

ϕ 15mm



No. H

Quantity:1 Pair

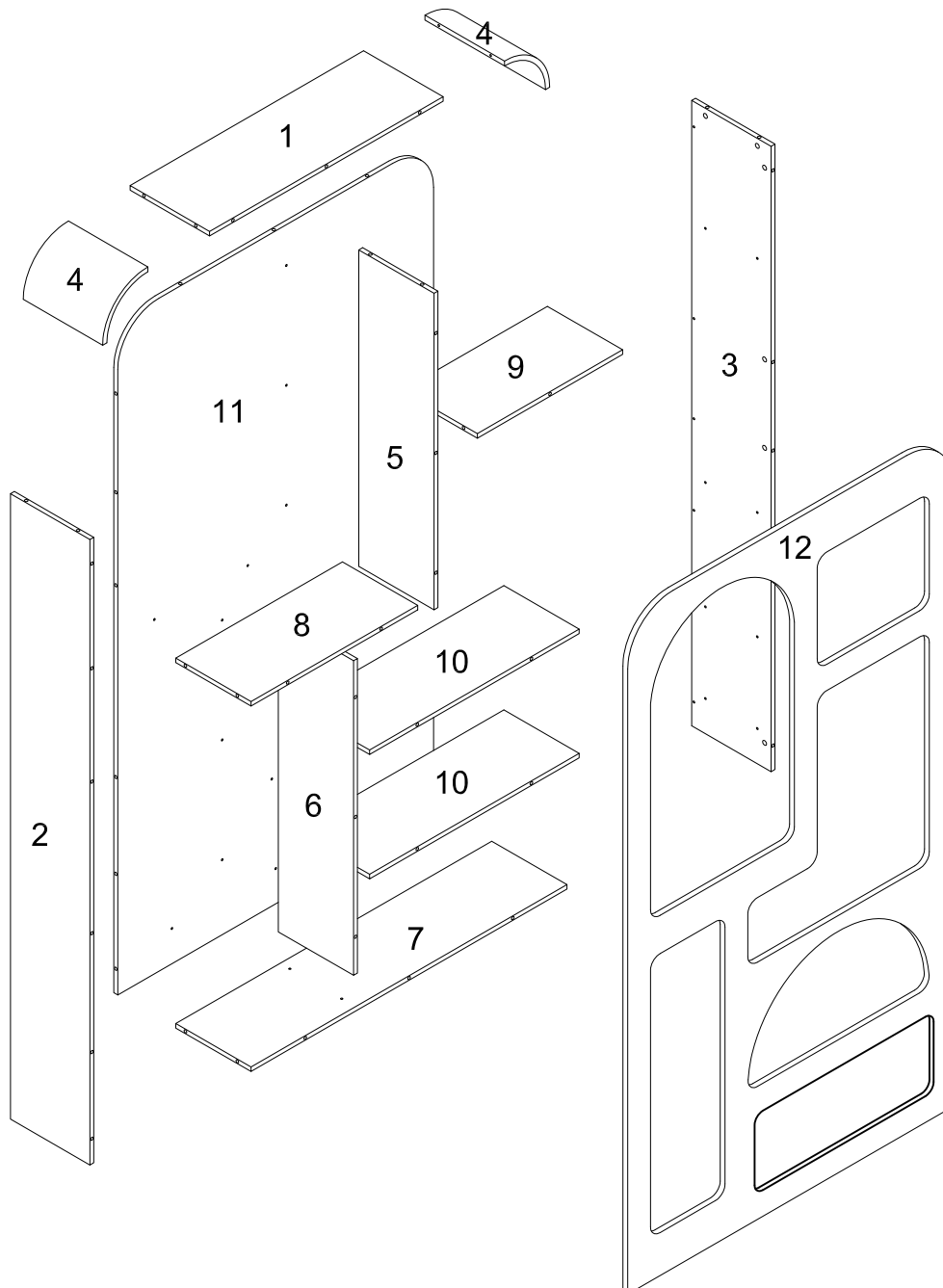
Gloves



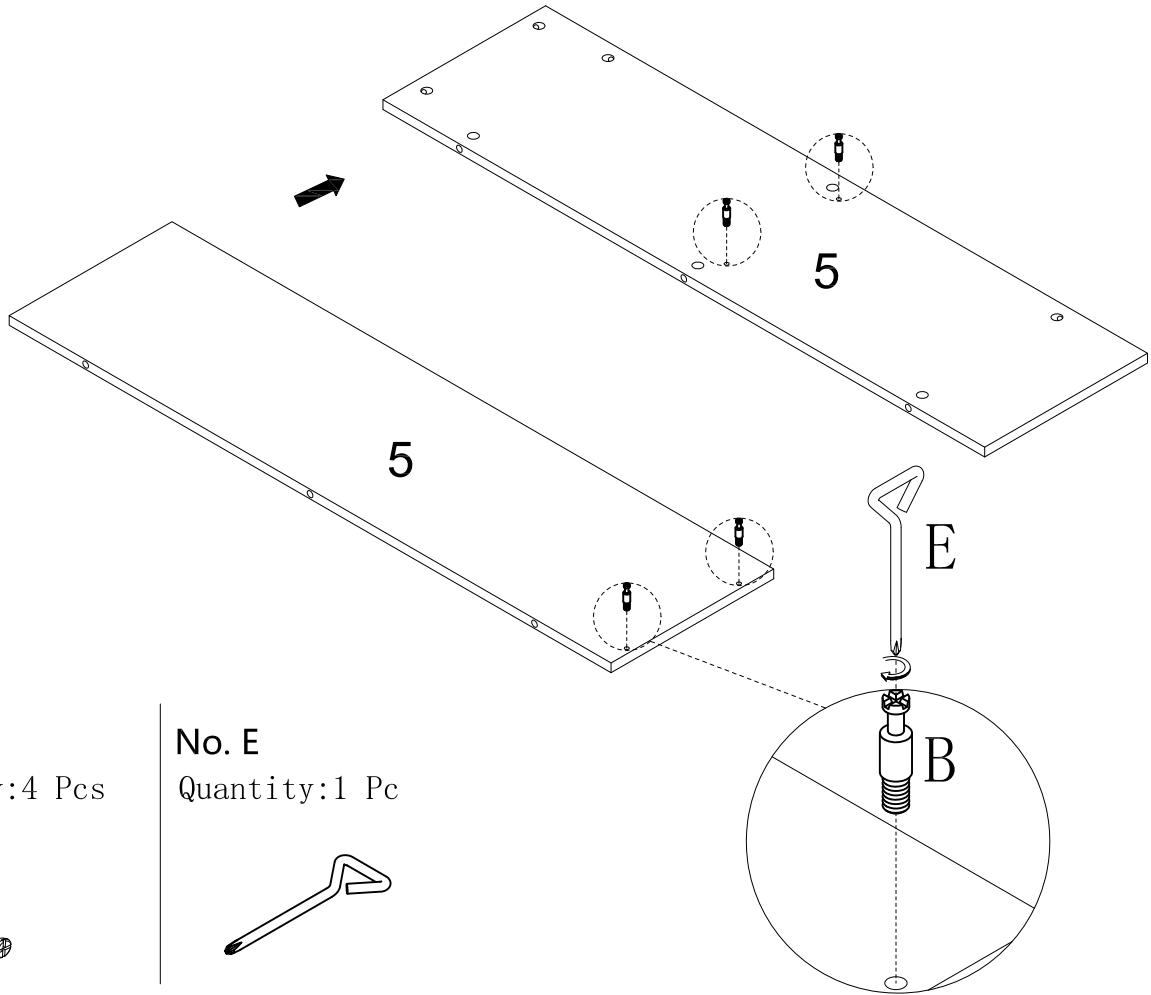
Component Panels & part List

Please check you have all the panels
are listed below.

- | | |
|--------------------------------------|-------------------------------------|
| 1. Top panel-----x1 CTN 1/2 | 8. Shelf-Left-----x1 CTN 1/2 |
| 2. Side panel-Left-----x1 CTN 1/2 | 9. Shelf-Right upper----x1 CTN 1/2 |
| 3. Side panel-Right-----x1 CTN 1/2 | 10. Shelf-Right base-----x2 CTN 1/2 |
| 4. Arc edge-----x2 CTN 1/2 | 11. Back panel-----x1 CTN 2/2 |
| 5. Middle panel-Upper-----x1 CTN 1/2 | 12. Front panel-----x1 CTN 2/2 |
| 6. Middle panel-Base-----x1 CTN 1/2 | |
| 7. Bottom panel-----x1 CTN 1/2 | |



STEP 1



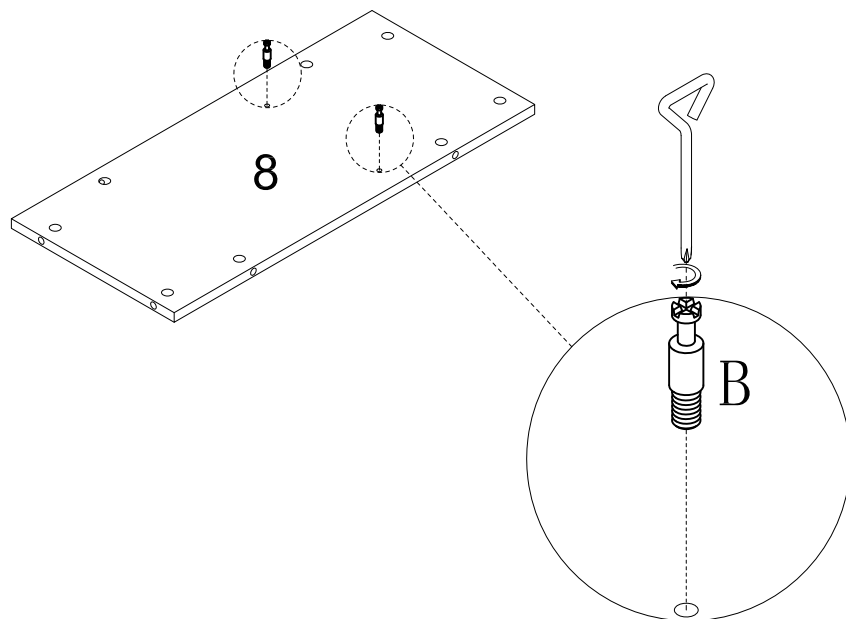
No. B
Quantity: 4 Pcs
Ø7*25mm



No. E
Quantity: 1 Pc



STEP 2

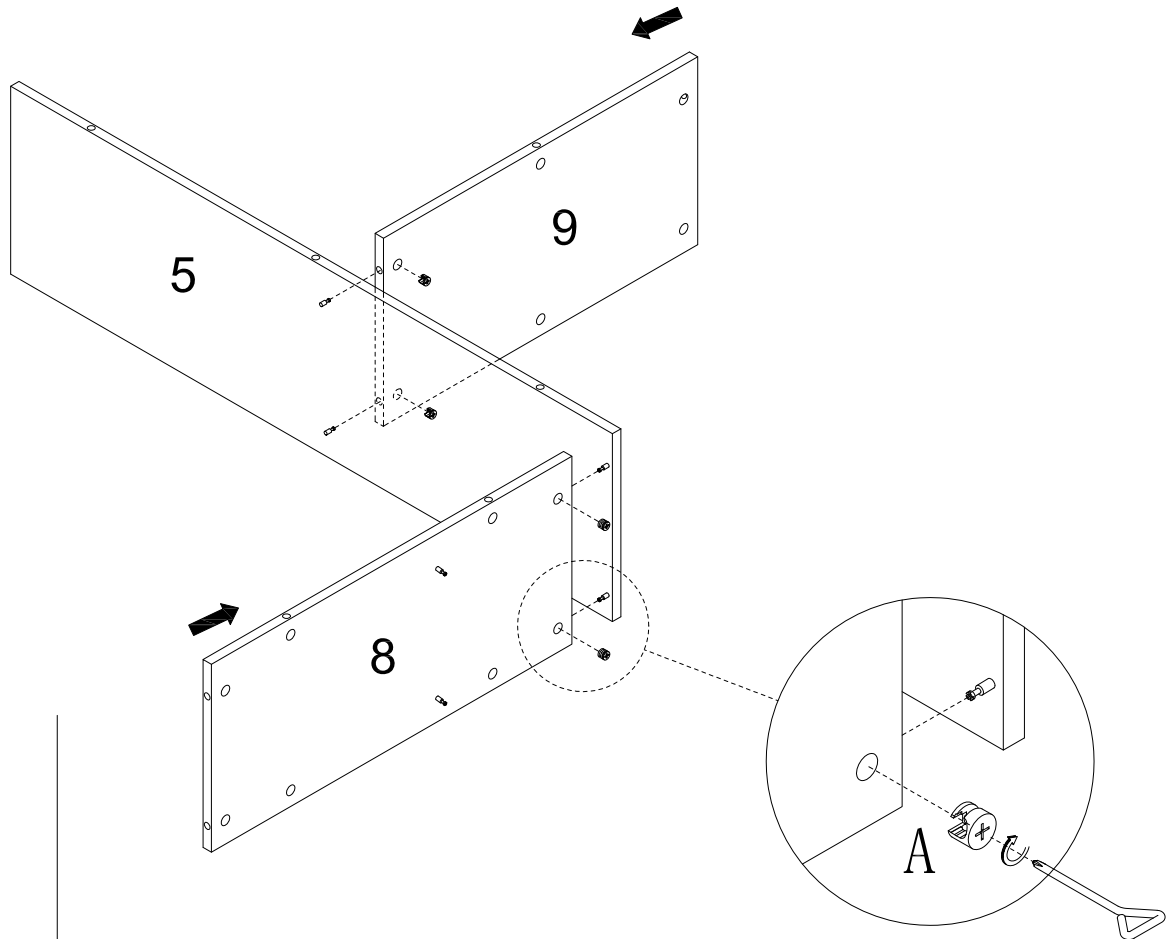


No. B
Quantity: 2 Pcs
Ø7*25mm



Do not tighten bolts until cam lock dowel are aligned then fully tighten

STEP 3

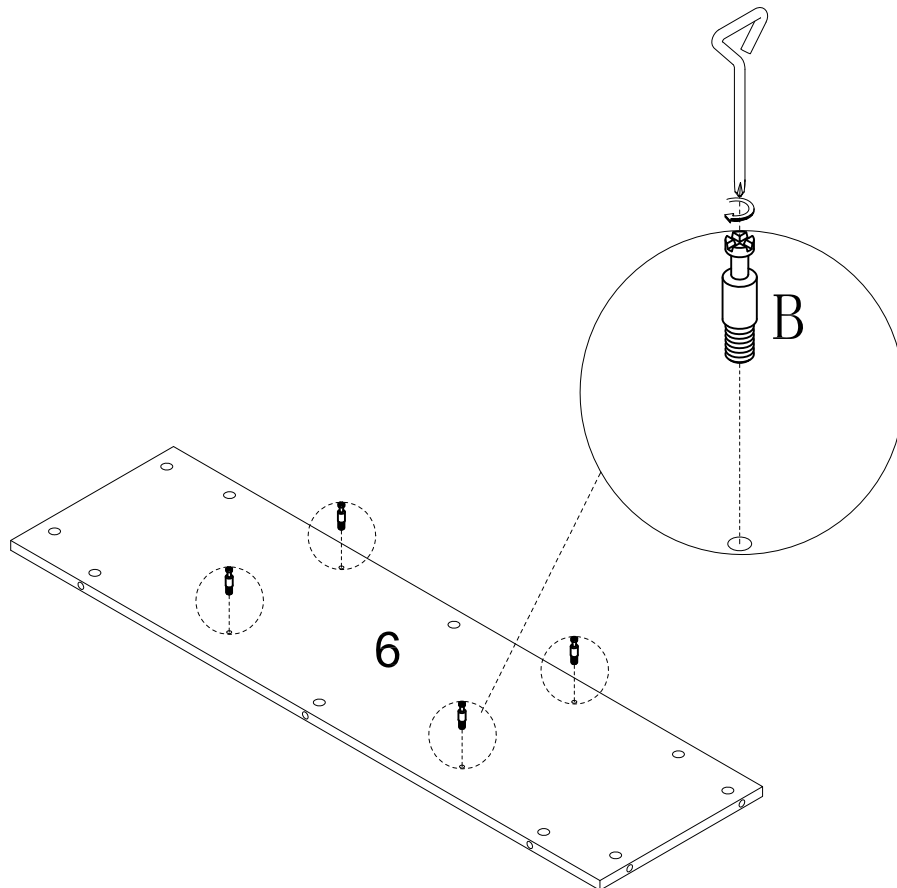


No. A

Quantity: 4Pcs



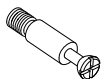
STEP 4



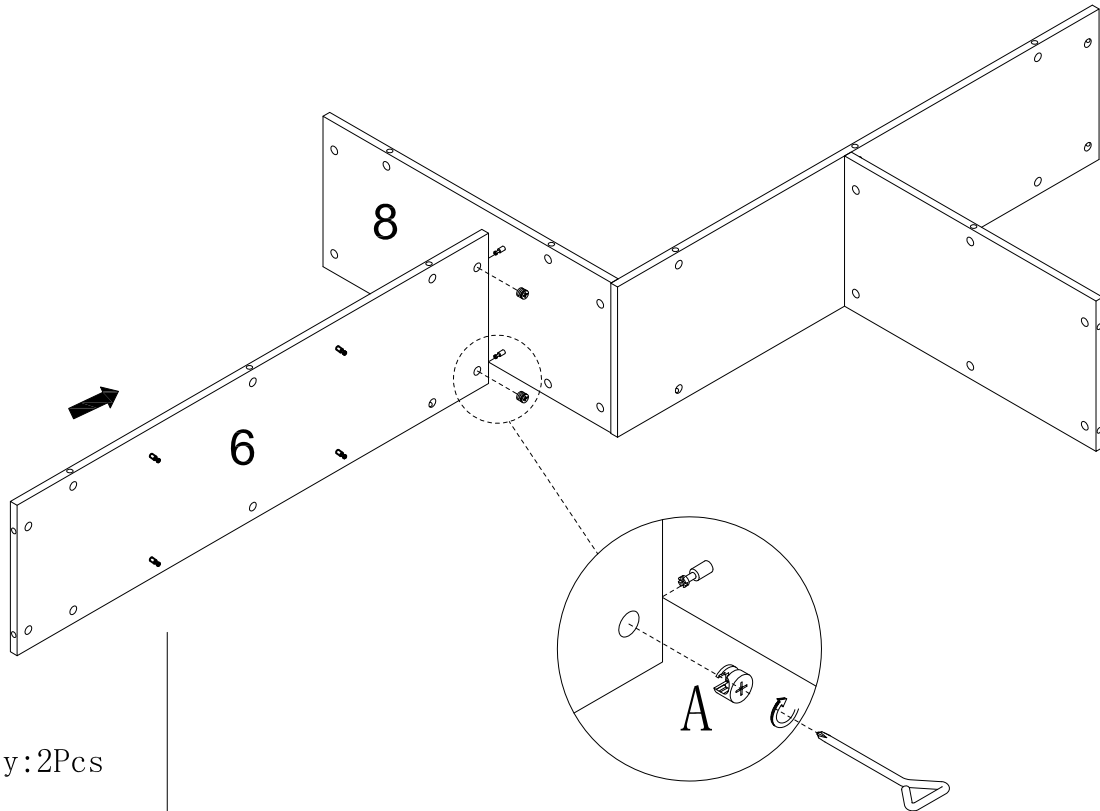
No. B

Quantity: 4 Pcs

Ø7*25mm



Do not tighten bolts until cam lock dowel are aligned then fully tighten
STEP 5

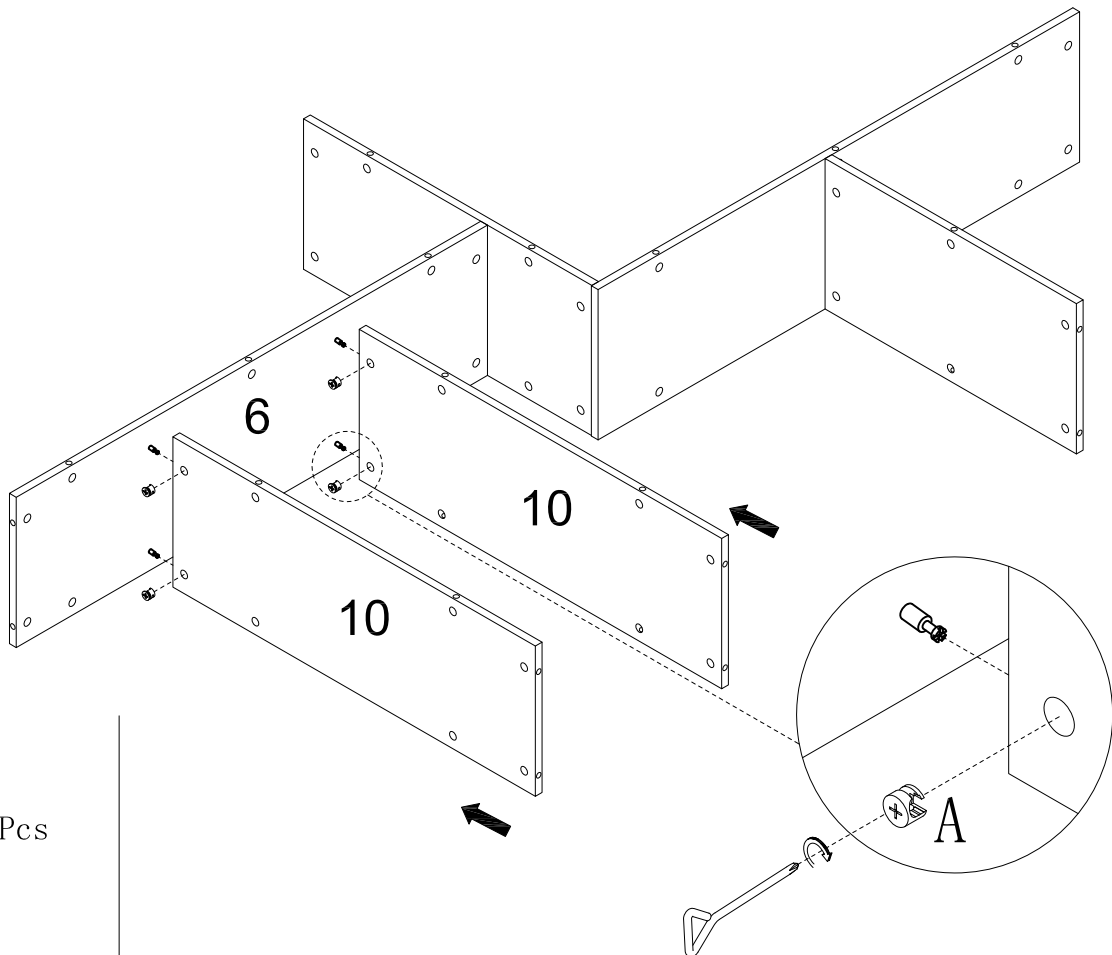


No. A

Quantity:2Pcs



Do not tighten bolts until cam lock dowel are aligned then fully tighten
STEP 6

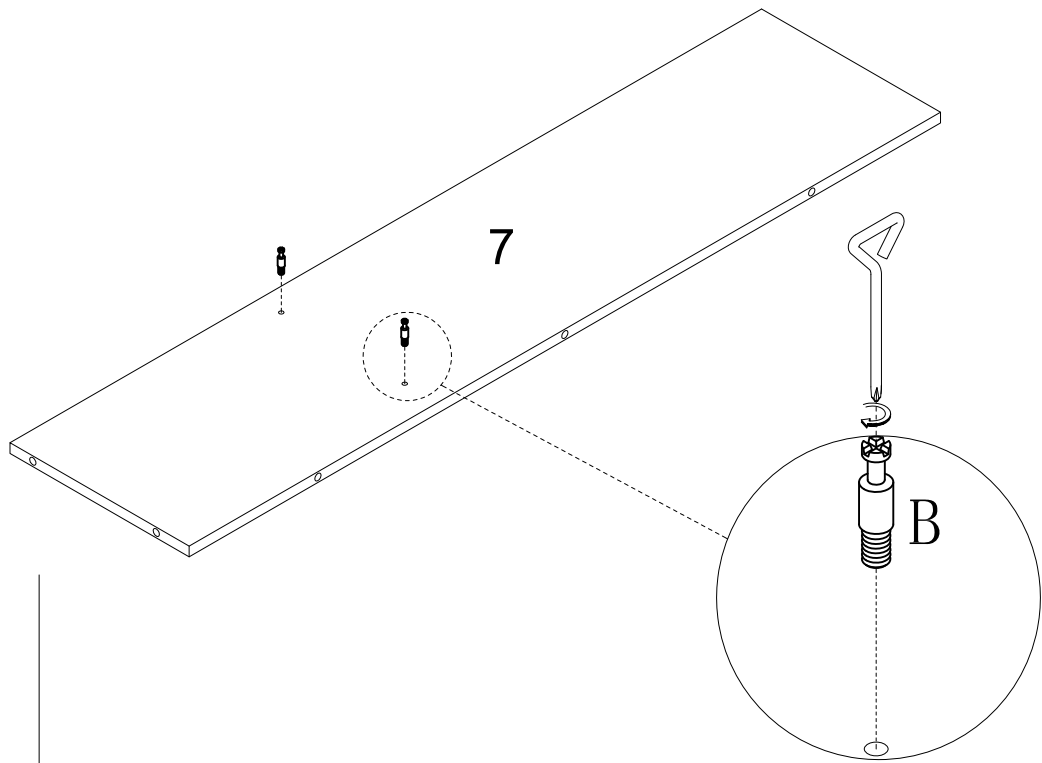


No. A

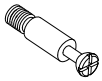
Quantity:4Pcs



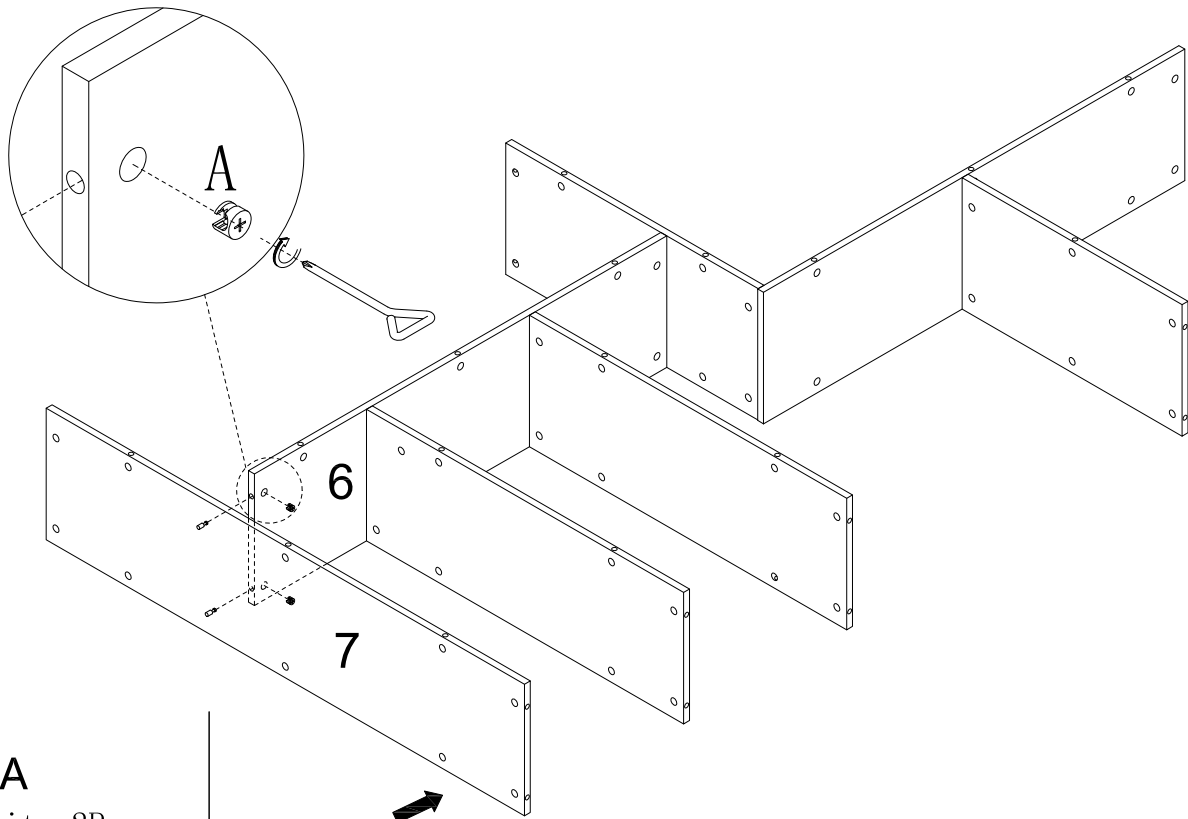
STEP 7



No. B
Quantity: 2 Pcs
Ø7*25mm



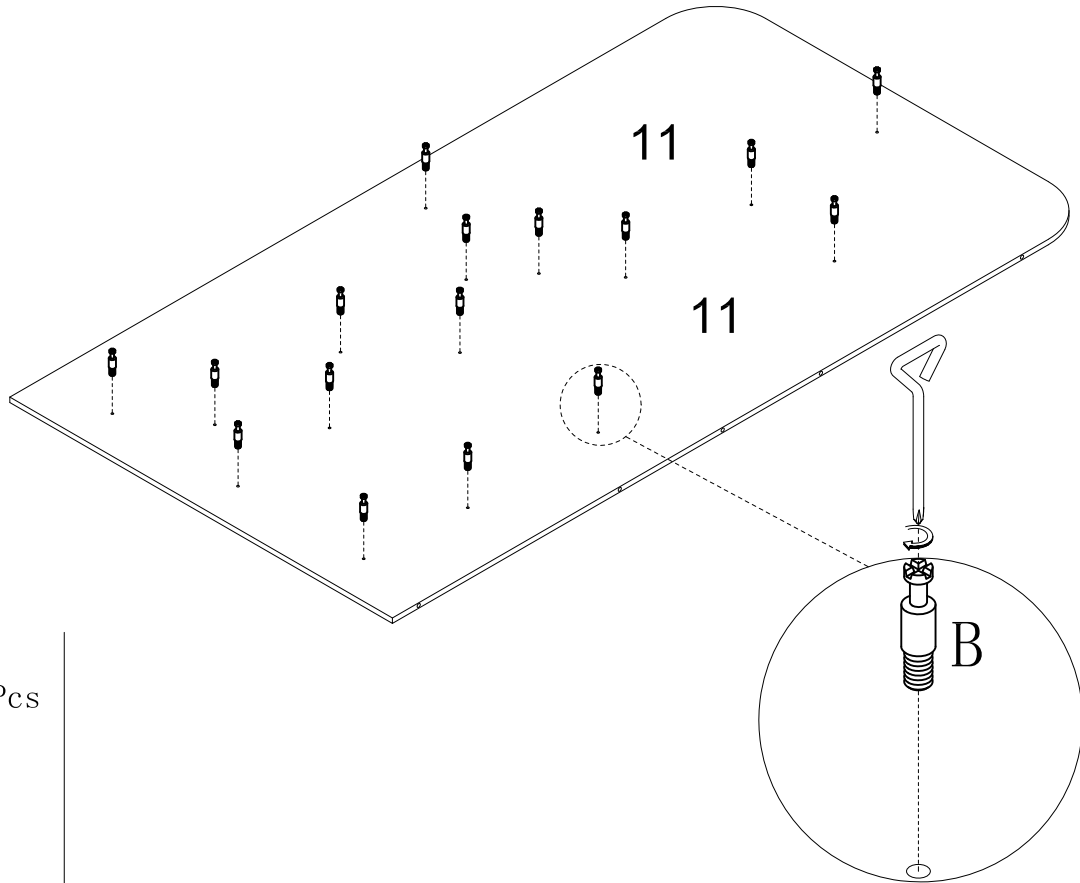
Do not tighten bolts until cam lock dowel are aligned then fully tighten
STEP 8



No. A
Quantity: 2Pcs



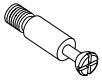
STEP 9



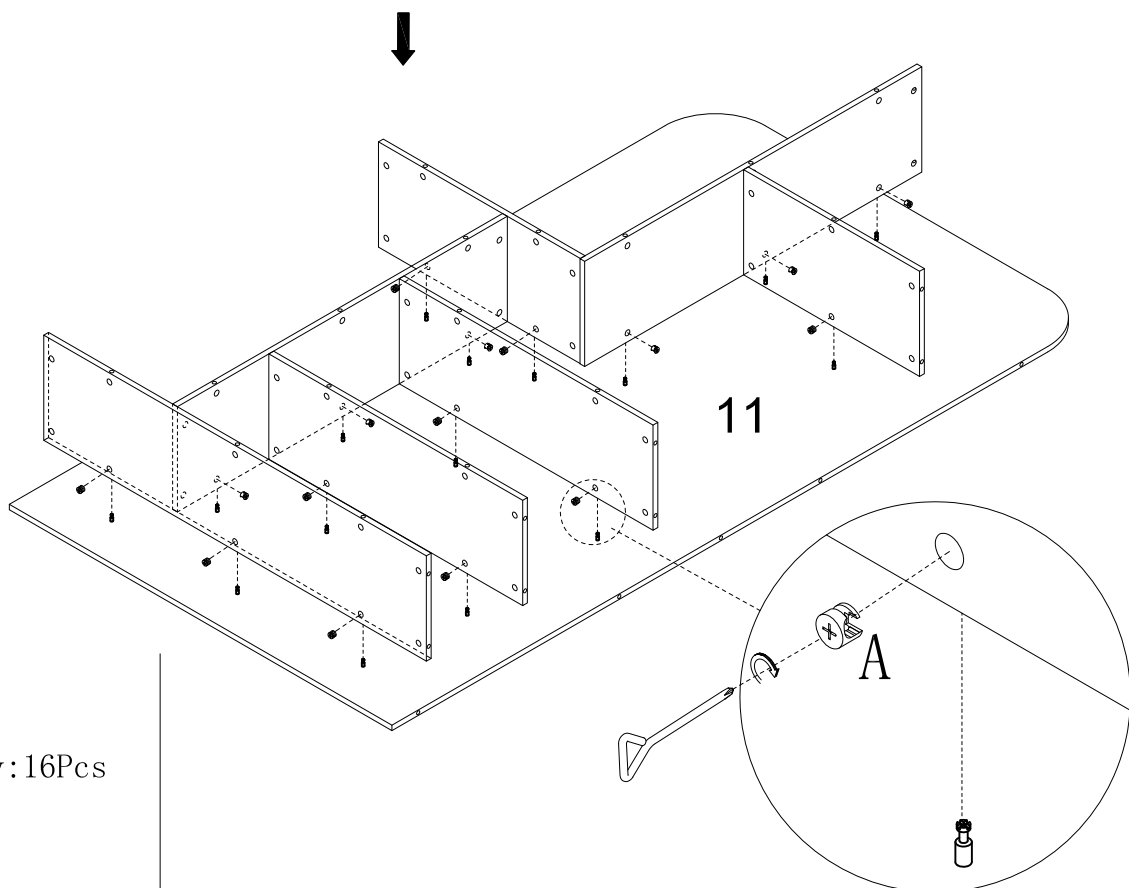
No. B

Quantity: 16 Pcs

Ø7*25mm



Do not tighten bolts until cam lock dowel are aligned then fully tighten
STEP 10

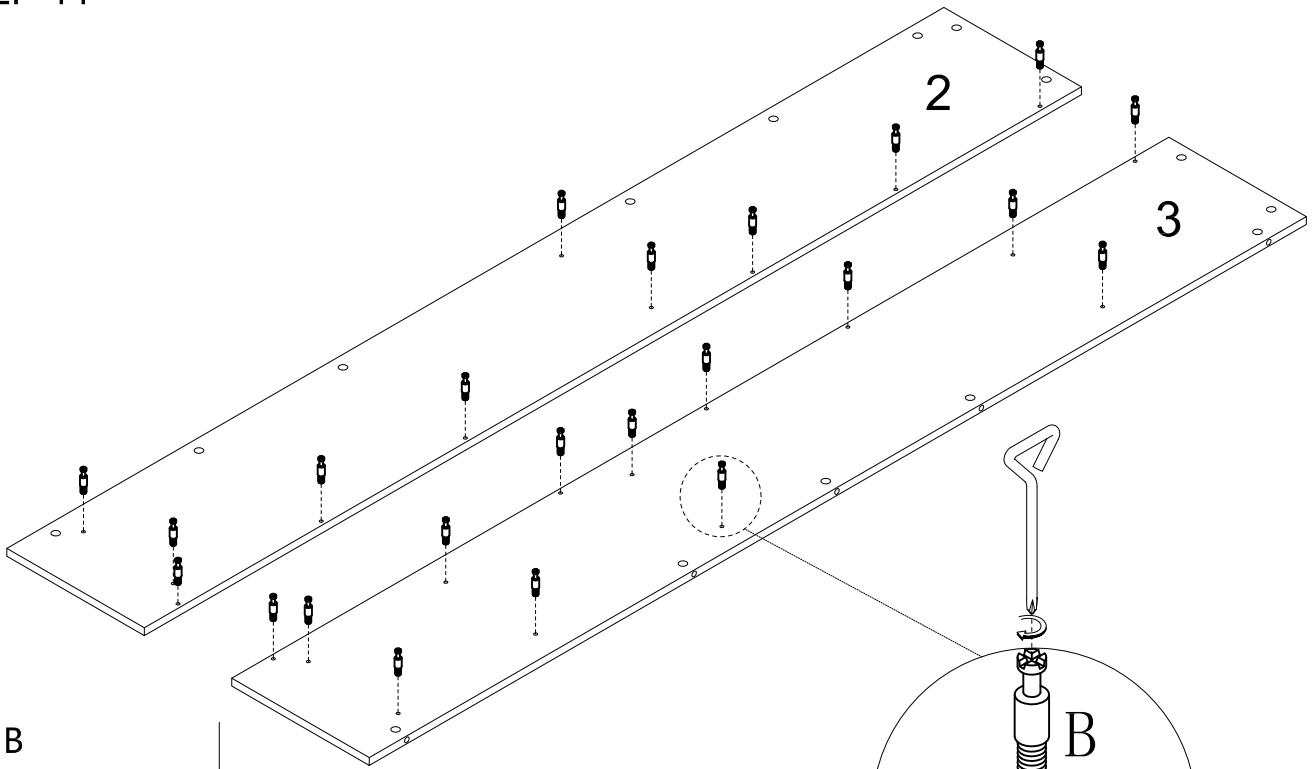


No. A

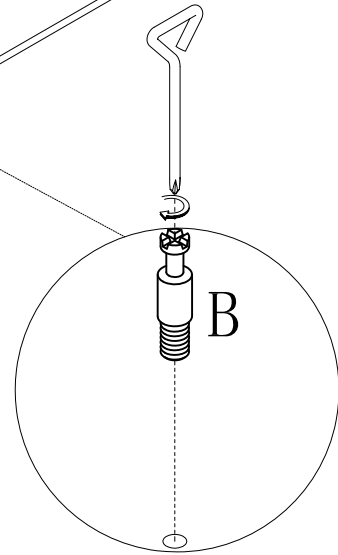
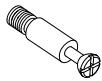
Quantity: 16Pcs



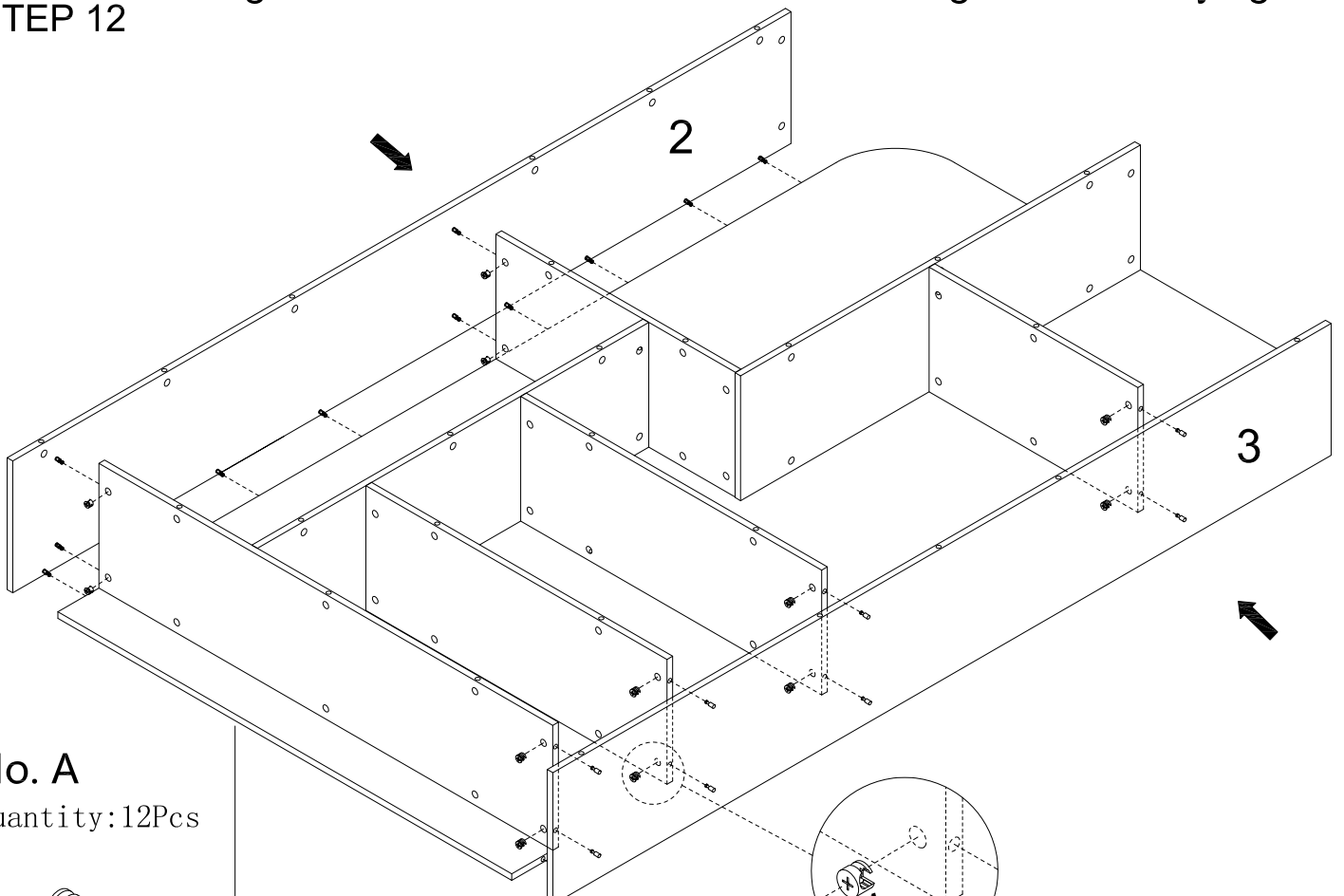
STEP 11



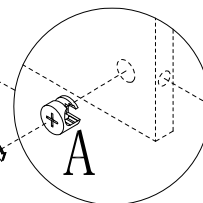
No. B
Quantity: 23 Pcs
 $\phi 7 * 25 \text{mm}$



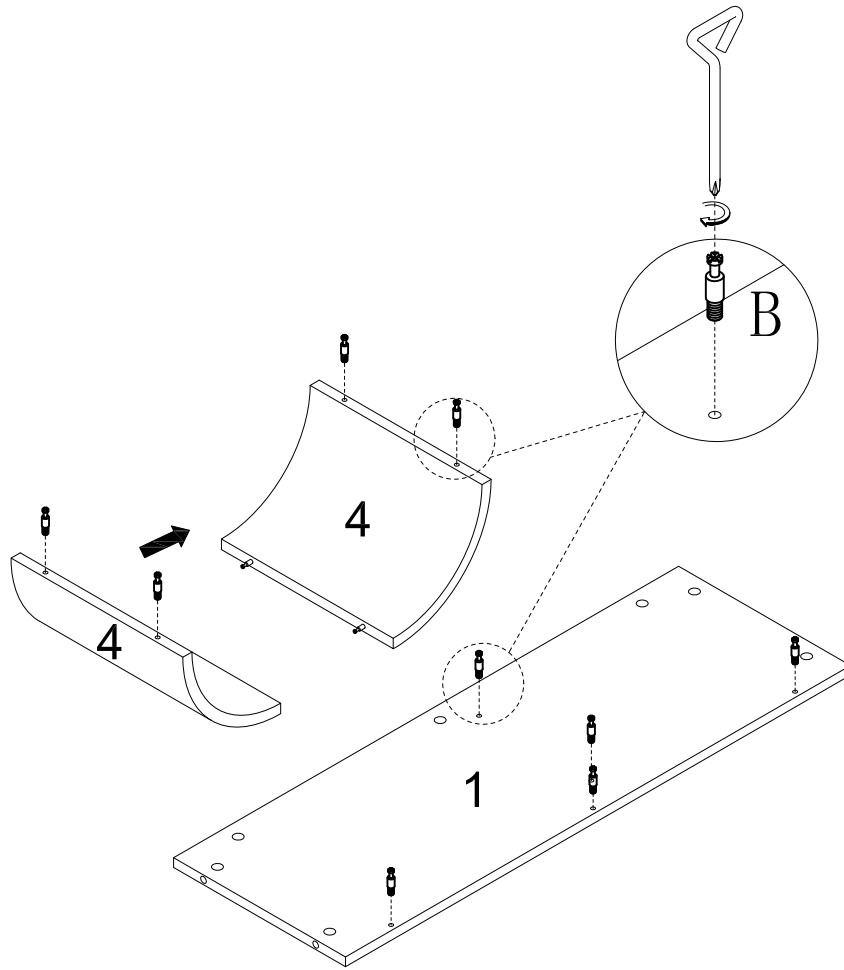
Do not tighten bolts until cam lock dowel are aligned then fully tighten
STEP 12



No. A
Quantity: 12 Pcs



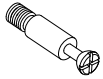
STEP 13



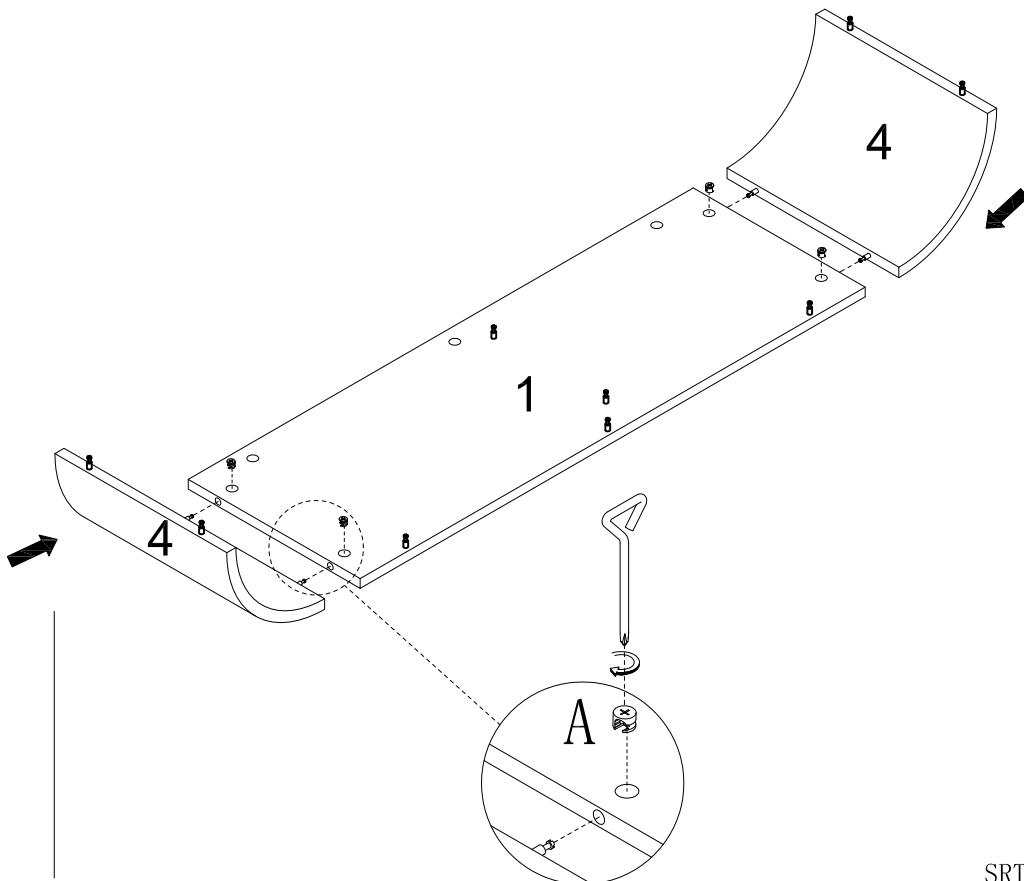
No. B

Quantity: 13 Pcs

φ7*25mm



Do not tighten bolts until cam lock dowel are aligned then fully tighten
STEP 14

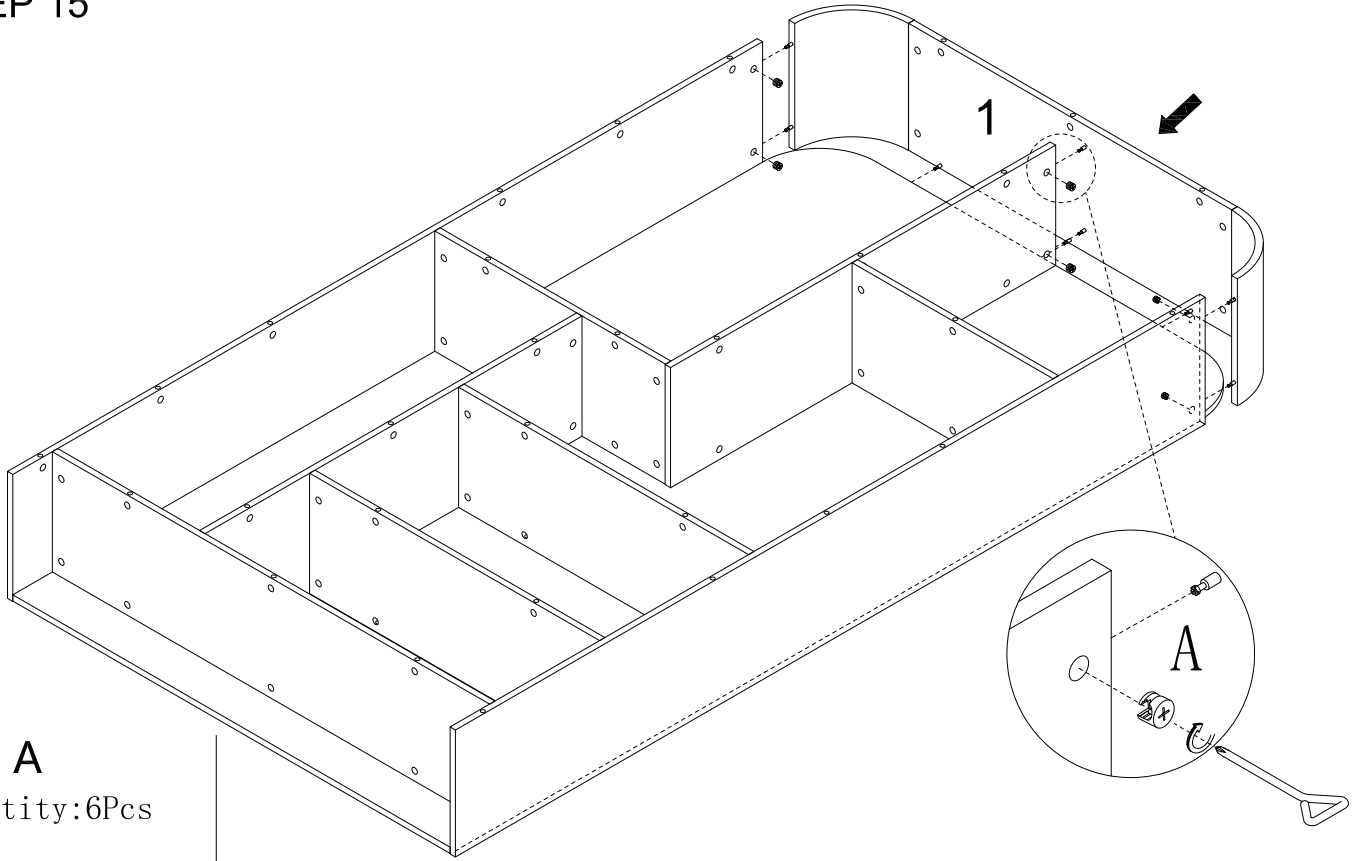


No. A

Quantity: 4Pcs



Do not tighten bolts until cam lock dowel are aligned then fully tighten
STEP 15

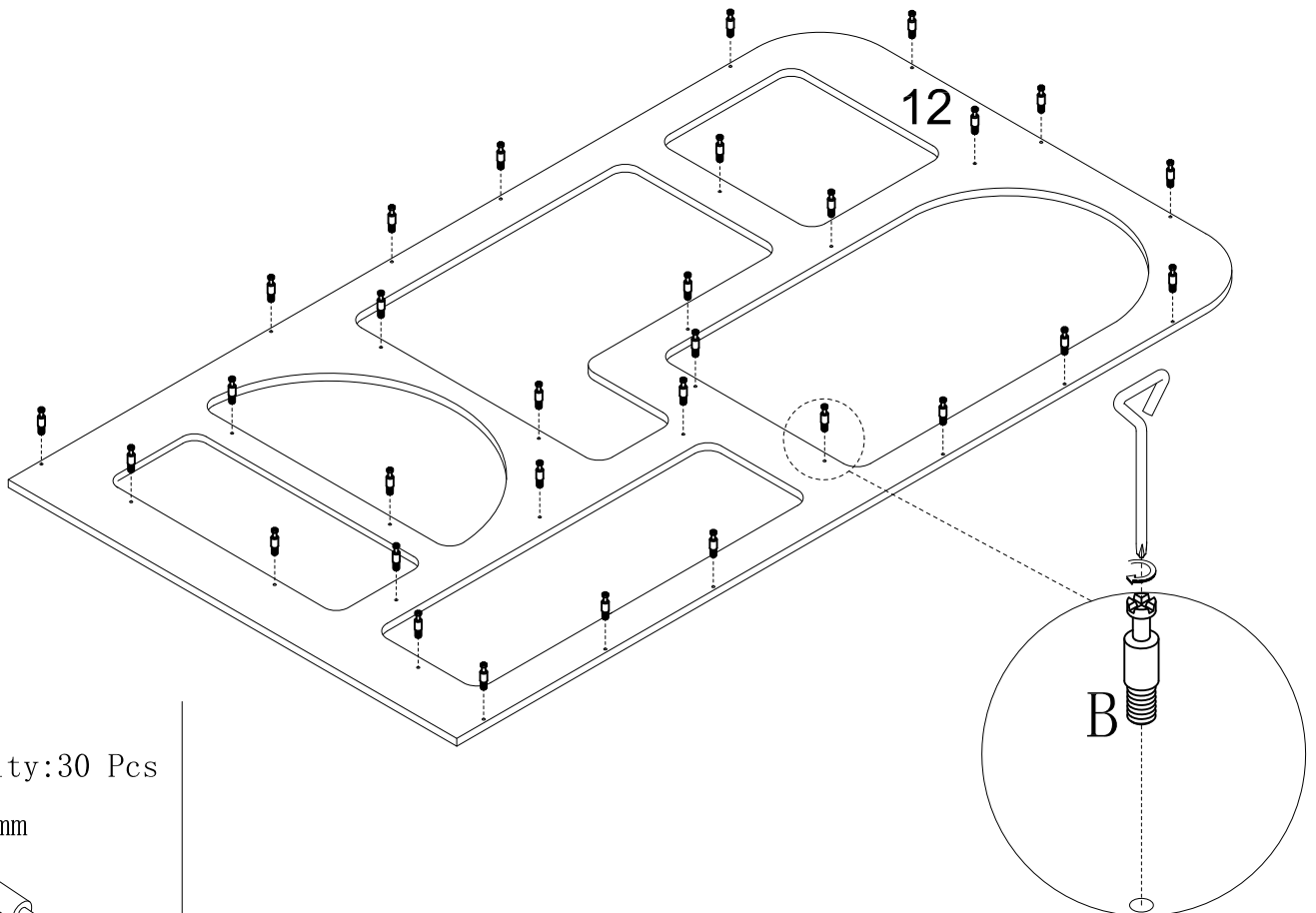


No. A

Quantity:6Pcs



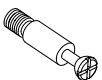
STEP 16



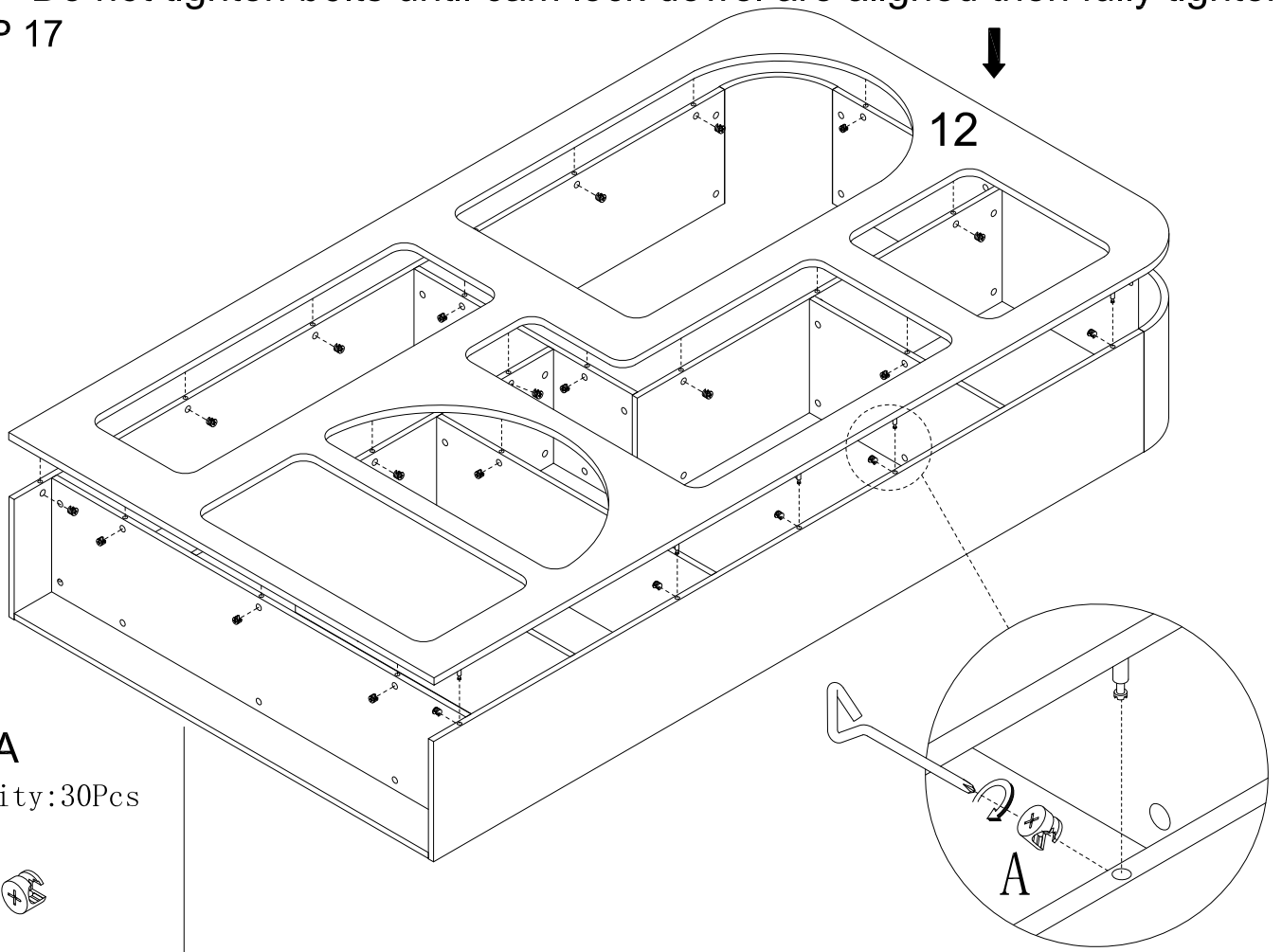
No. B

Quantity:30 Pcs

Ø7*25mm



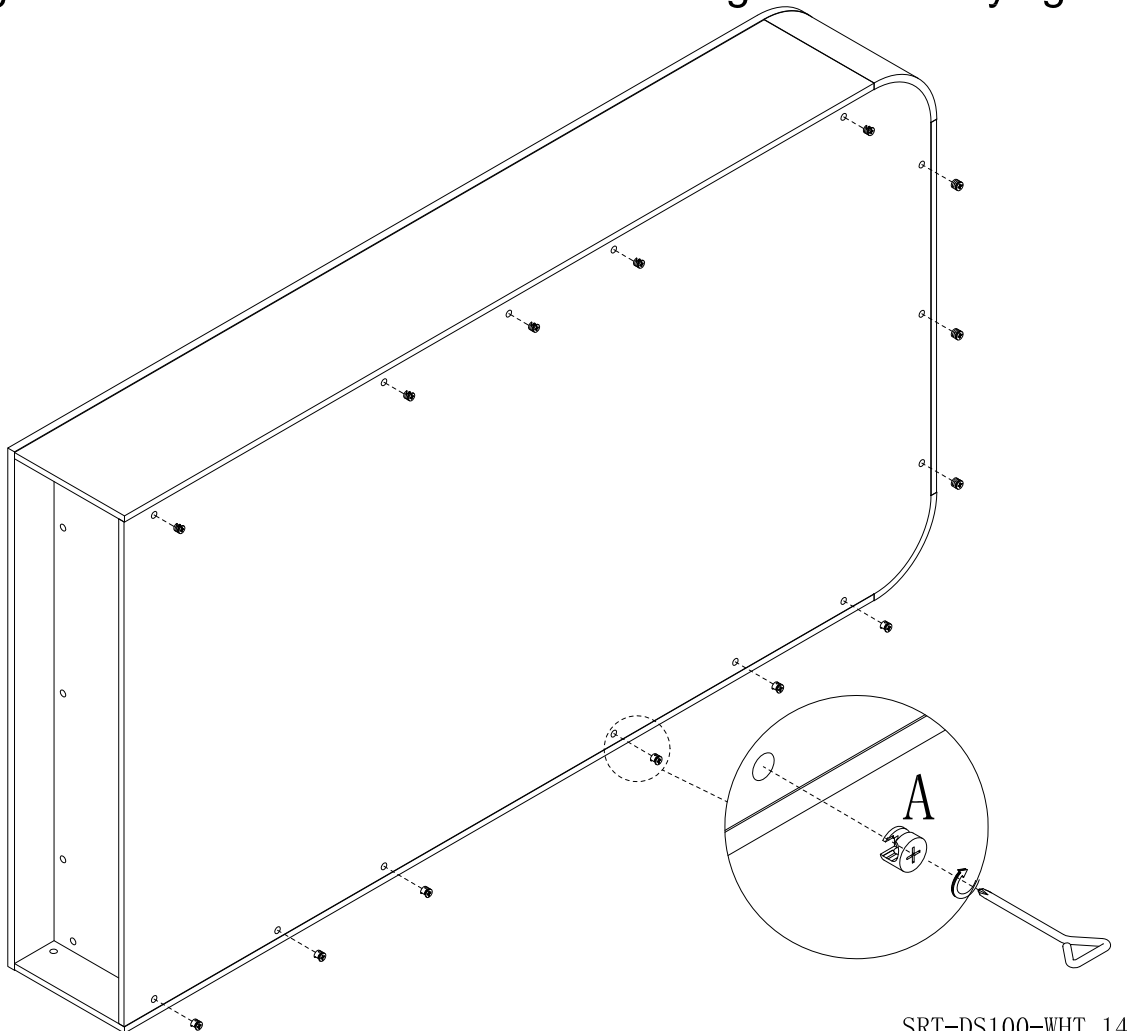
Do not tighten bolts until cam lock dowel are aligned then fully tighten
STEP 17



No. A
Quantity:30Pcs



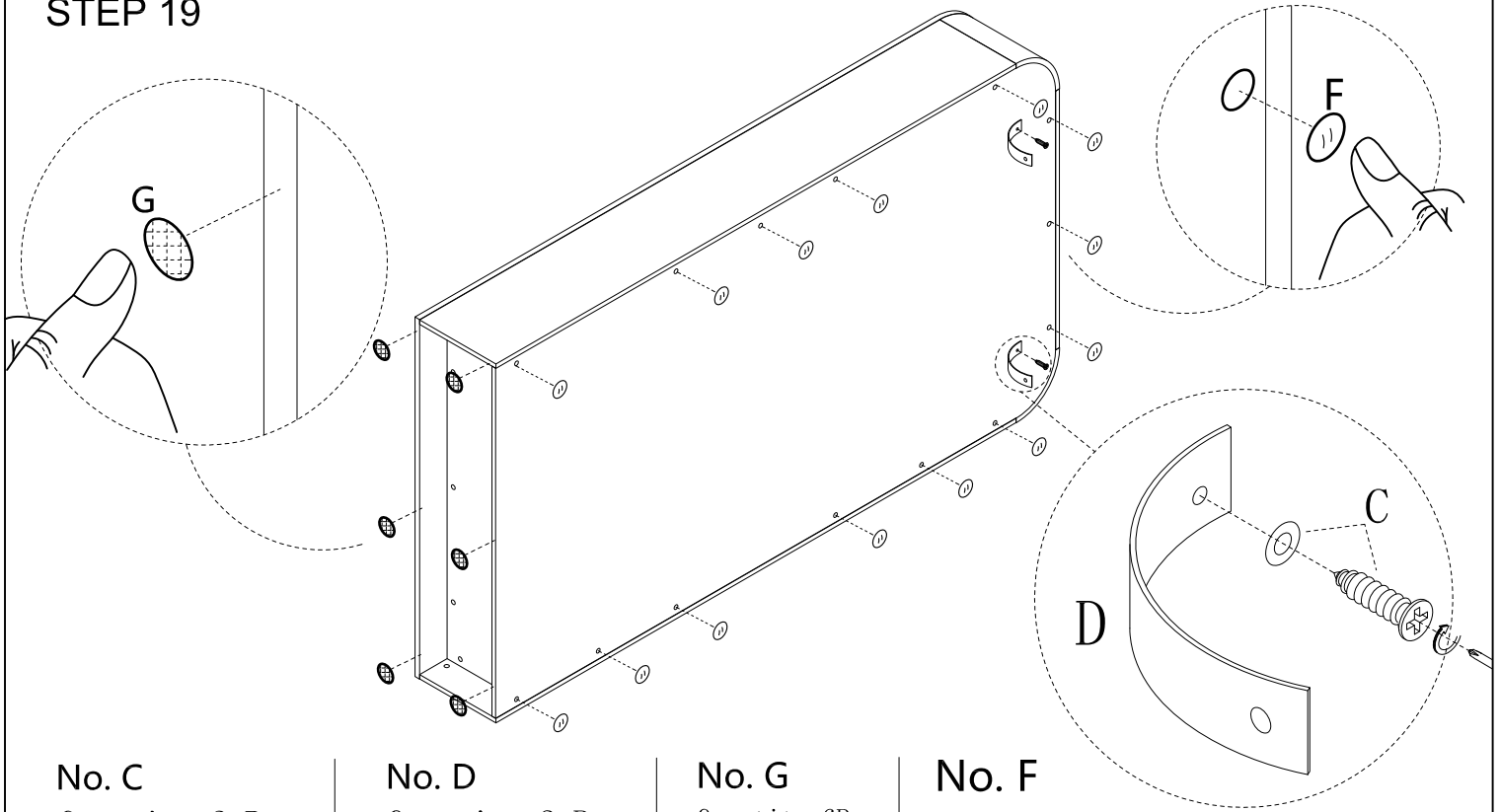
Do not tighten bolts until cam lock dowel are aligned then fully tighten
STEP 18



No. A
Quantity:14Pcs



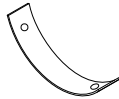
STEP 19



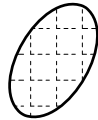
No. C
Quantity: 2 Pcs
Ø 3.5*12mm



No. D
Quantity: 2 Pcs
L=200mm



No. G
Quantity: 6 Pcs
Ø 15mm

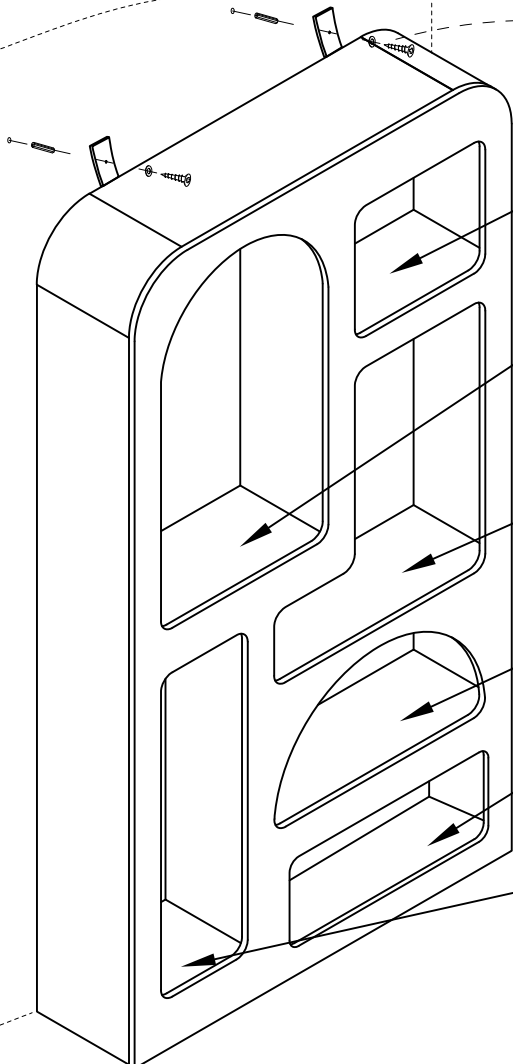


No. F
Quantity: 94 Pcs
Ø 20mm



STEP 20

WALL



Note:
Maximum Weight: 10 Kgs

Note:
Maximum Weight: 10 Kgs

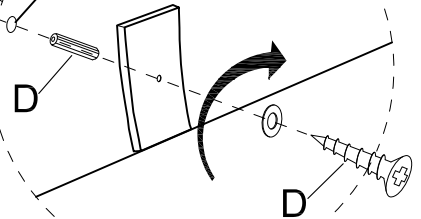
Note:
Maximum Weight: 10 Kgs

Note:
Maximum Weight: 10 Kgs

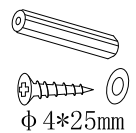
Note:
Maximum Weight: 10 Kgs

Note:
Maximum Weight: 10 Kgs

DIG HOLE OF
Ø 6 x D35mm



No. D
Quantity: 2 Pcs



lifely.com.au

Great job. You're done!

Don't forget to share how it looks in
your space and tag us on Instagram.

@lifelyhome #homewithlifely!