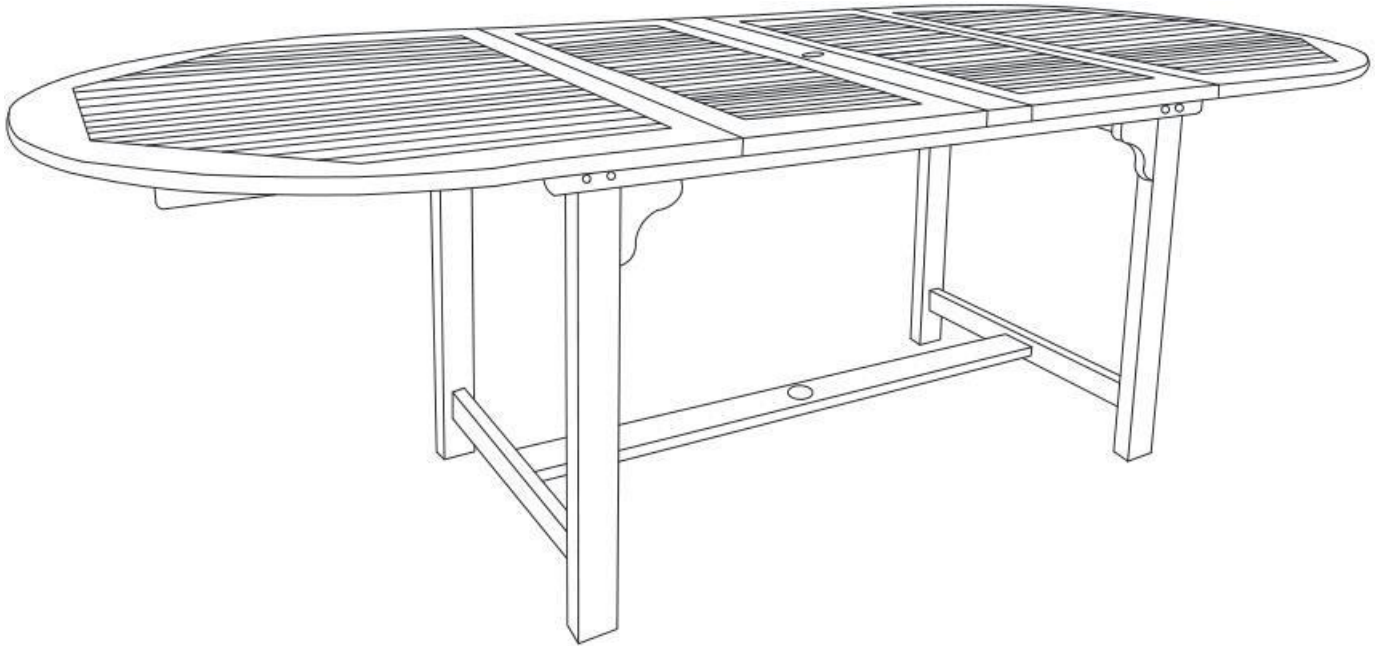


Assembly Instructions

Norita Series



Lifely*

Product Code

NRTA-7PDS-OTDR-LWNT

Dimensions(W xD xH)

1000/1600 extend 2000/2400*750mm

Important

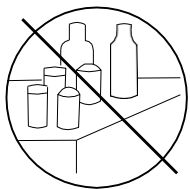
Please read through instruction carefully
Before assembly and keep for future reference.

For our full catalogue of assembly instructions,
Visit: lifely.com.au/assembly.

Important Tips and Maintenance



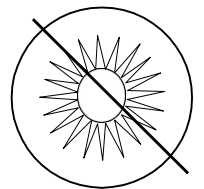
1. Keep children and animals away from working area as smaller parts may cause choking if swallowed.



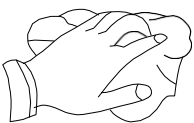
2. Never place liquids or anything damp upon furniture as it will mark. Ensure a coaster or running is beneath.



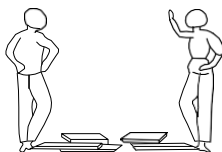
3. Never use ammonia based cleaning products as it will damage the finish.



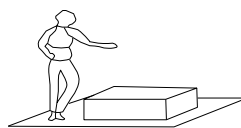
4. To avoid fading, keep furniture out of direct sunlight.



5. Use a soft or damp cloth (dry cloth) when wiping or cleaning surfaces.



6. Two people are required.



7. Lay a soft mat down to protect the furniture piece before and during assembly.

So your relationship is strong. But is it flat-pack furniture strong? Unless you're an aerospace engineer, assembling furniture can be slightly stressful. We recommend meditating quietly, pouring yourself a herbal tea (or slightly less herbal wine) and tackling things one step at a time. If you feel a passive aggressive remark coming on, try a compliment instead. E.g. "You're so good looking".

This 2 step assembly should take around 20 minutes with an Allen key – or 15 minutes with an electric drill. Godspeed.

Component Hardware

Please check you have all the fittings part or tools are listed in below.

No. A
Quantity: 2 Pcs
Screw 7*60mm



No. B
Quantity: 8 Pcs
Bolts
8*30mm



No. C
Quantity: 8 Pcs
Screw 6*45mm



No. D
Quantity: 8 Pcs
Bulong



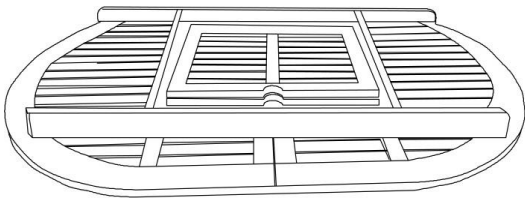
No. E
Quantity: 1 Pc
Allen key



Component Panels & partList

Please check you have all the panels are listed below.

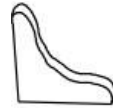
1. Tabletop.....**x1**
2. Table legs.....**x2**
3. Corners.....**x4**
4. Spindle.....**x1**



1



2

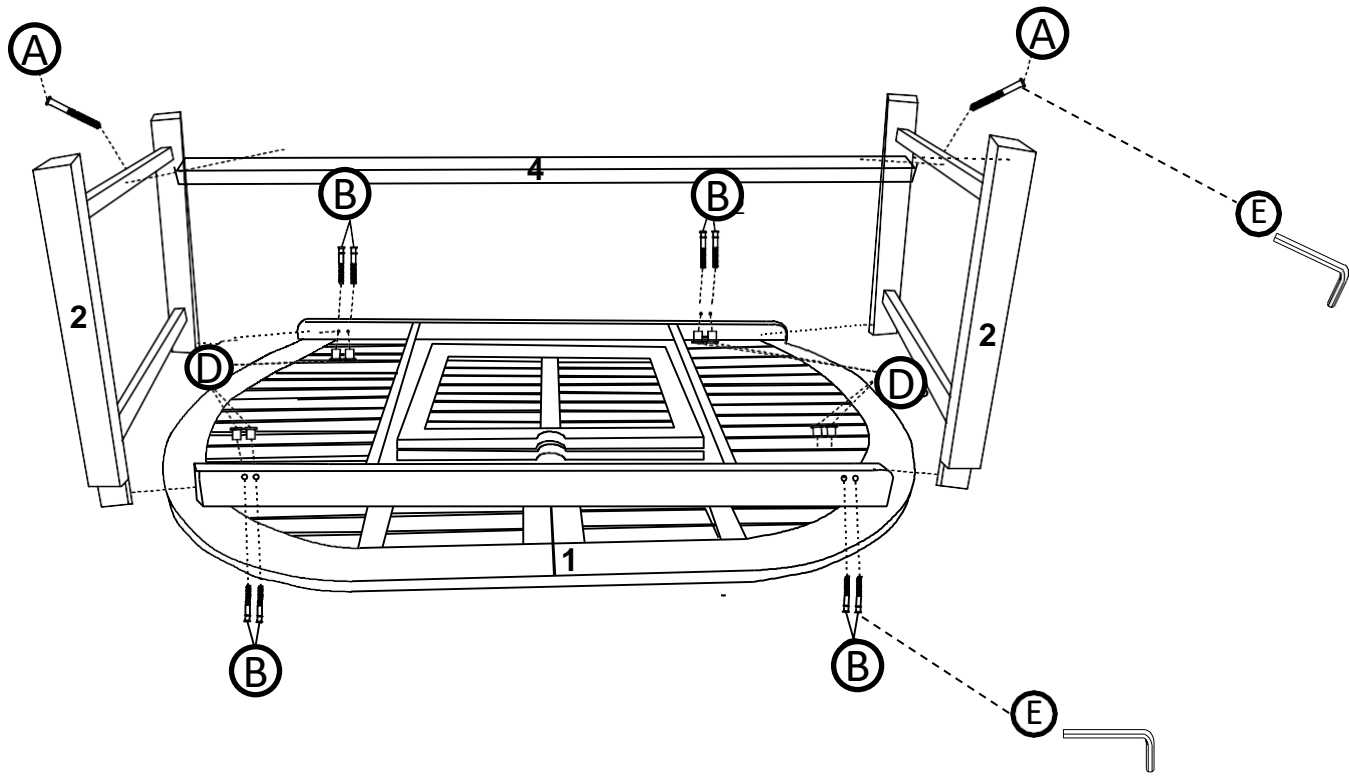


3



4

STEP 1



No. A
Quantity: 2 Pcs
Screw 7*60mm



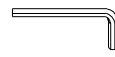
No. B
Quantity: 8 Pcs
Bolts
8*30mm



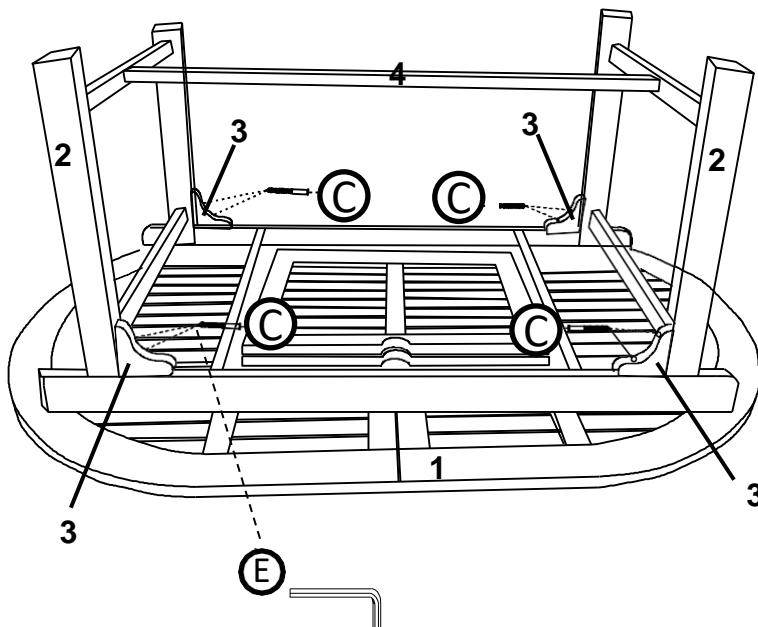
No. D
Quantity: 8 Pcs
Bulong
8*15mm



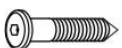
No. E
Quantity: 1 Pc
Allen key



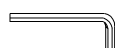
STEP 2



No. C
Quantity: 8 Pcs
Screw 6*45mm



No. E
Quantity: 1 Pc
Allen key



Great job. You're done!

**Don't forget to share how it looks in
your space and tag us on Instagram.
@lifelyhome#homewithlifely!**