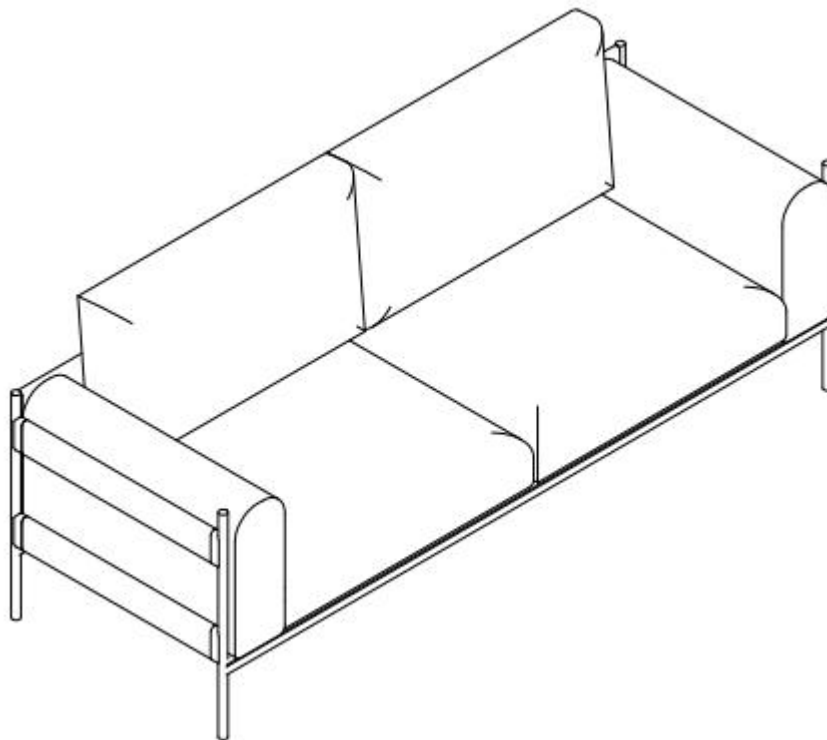


## Assembly Instructions Nash Series



# Lifely\*

### **Product Code**

NASH-SOFA-3SCWHT

Dimensions(WxDxH)

2080x790x860mm

---

### Important

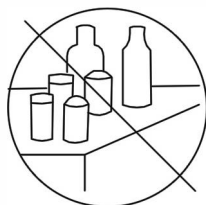
Please read through instruction carefully  
Before assembly and keep for future  
reference.

For our full catalogue of assembly  
instructions, Visit: [lifely.com.au/assembly](http://lifely.com.au/assembly).

## Important Tips and Maintenance



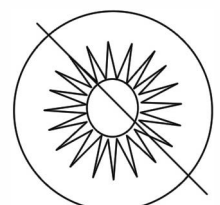
1. Keep children and animals away from working area as smaller parts may cause choking if swallowed.



2. Never place liquids or anything damp upon furniture as it will mark. Ensure a coaster or running is beneath.



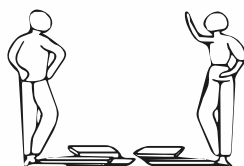
3. Never use ammonia based cleaning products as it will damage the finish.



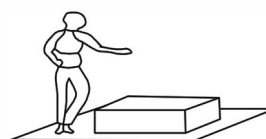
4. To avoid fading, keep furniture out of direct sunlight.



5. Use a soft or damp cloth (dry cloth) when wiping or cleaning surfaces.



6. Two person are required.



7. Lay a soft matt down to protect the furniture piece before and during assembly.

So your relationship is strong. But is it flat-pack furniture strong? Unless you're an aerospace engineer, assembling furniture can be slightly stressful. We recommend meditating quietly, pouring yourself a herbal tea (or slightly less herbal wine) and tackling things one step at a time. If you feel a passive aggressive remark coming on, try a compliment instead. E.g. "You're so good looking".

This 4-Step assembly should take around 35 minutes with an Allen Key-or 30 minutes with an electric drill. Godspeed.

Designed for everyday

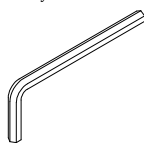
# Component Hardware

Please check you have all the fittings  
part or tools are listed below.

No. A  
Quantity:14Pcs  
Screw M8



No. B  
Quantity:1Pc  
Allen key:M8



No. C  
Quantity:16Pcs  
Screw 4\*15



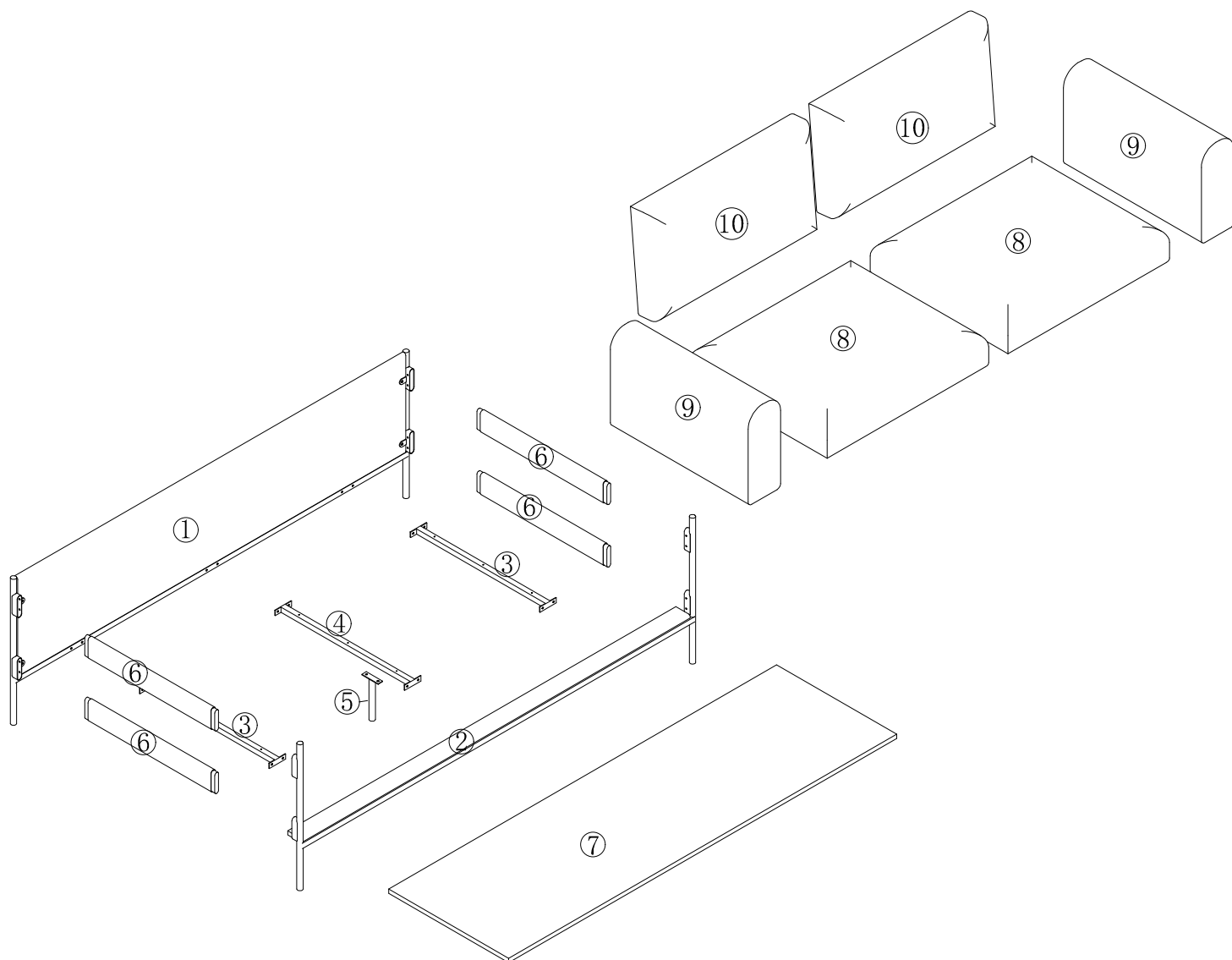
No. D  
Quantity:9Pcs  
Screw 4\*35



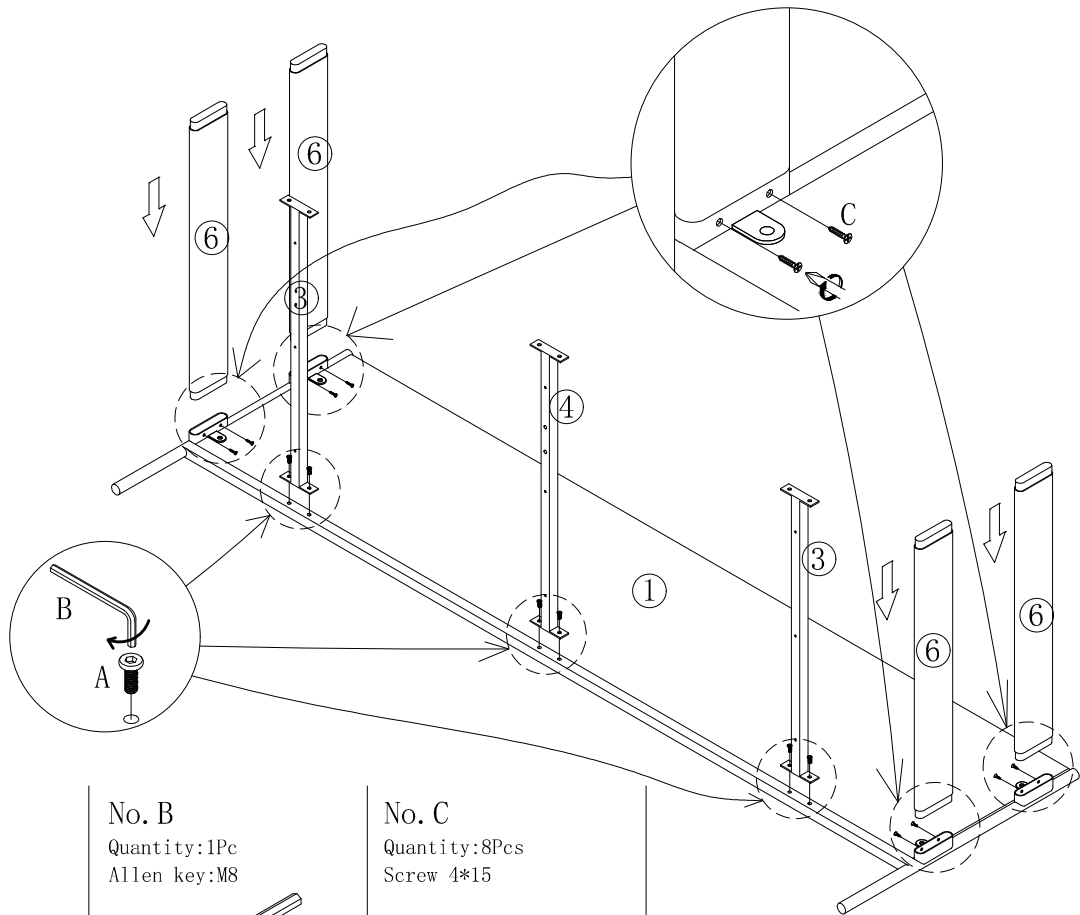
# Component Panels & Part List

Please check you have all the panels are listed below.

1.Backrest and back legs-----	x1	Carton	1/2
2.Front legs and support panel-----	x1	Carton	1/2
3.Bottom support strips-----	x2	Carton	2/2
4.Bottom support strips(middle) ---	x1	Carton	2/2
5.Middle leg -----	x1	Carton	2/2
6.Armrest panel -----	x4	Carton	2/2
7.Bottom support panel -----	x1	Carton	1/2
8.Seat cushion -----	x2	Carton	2/2
9.Armrest cushion -----	x2	Carton	2/2
10.Back cushion -----	x2	Carton	2/2



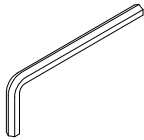
# STEP 1



No. A  
Quantity:6Pcs  
Screw M8



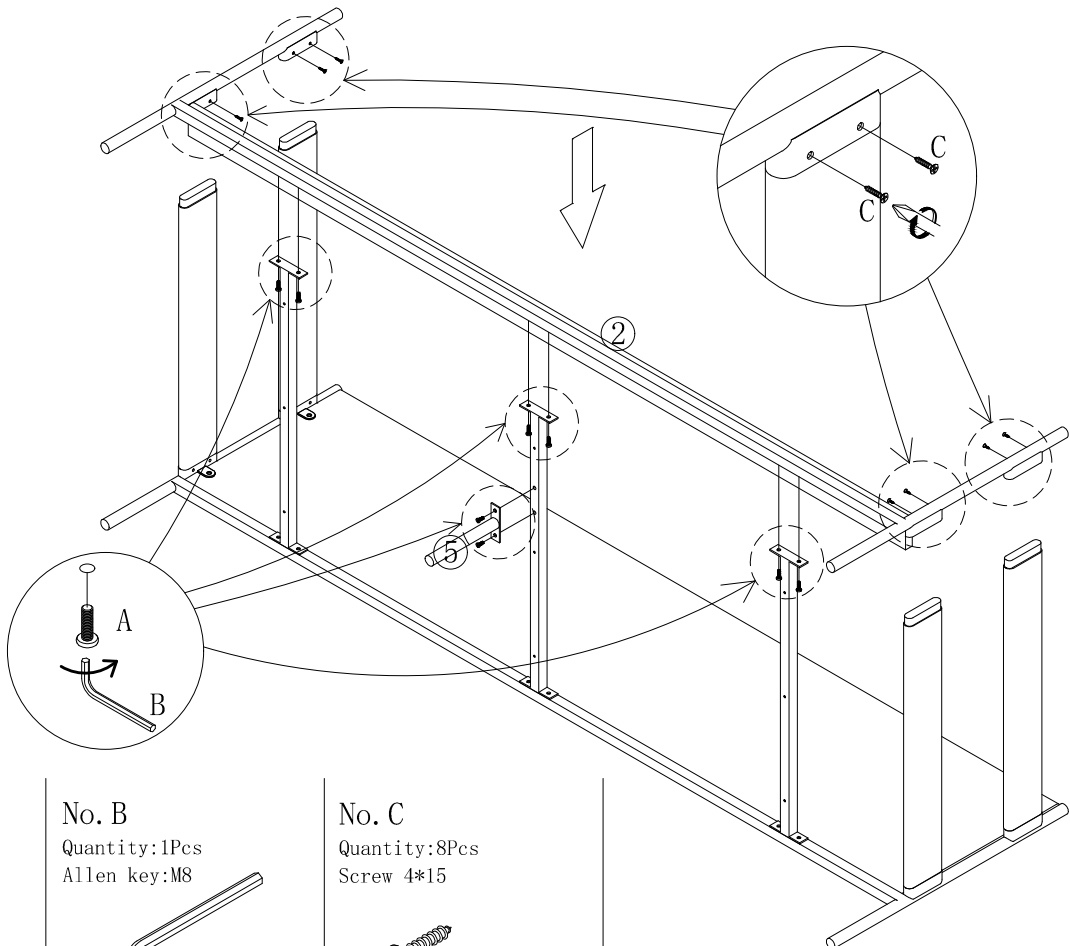
No. B  
Quantity:1Pc  
Allen key:M8



No. C  
Quantity:8Pcs  
Screw 4\*15



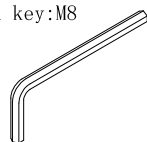
# STEP 2



No. A  
Quantity:8Pcs  
Screw M8



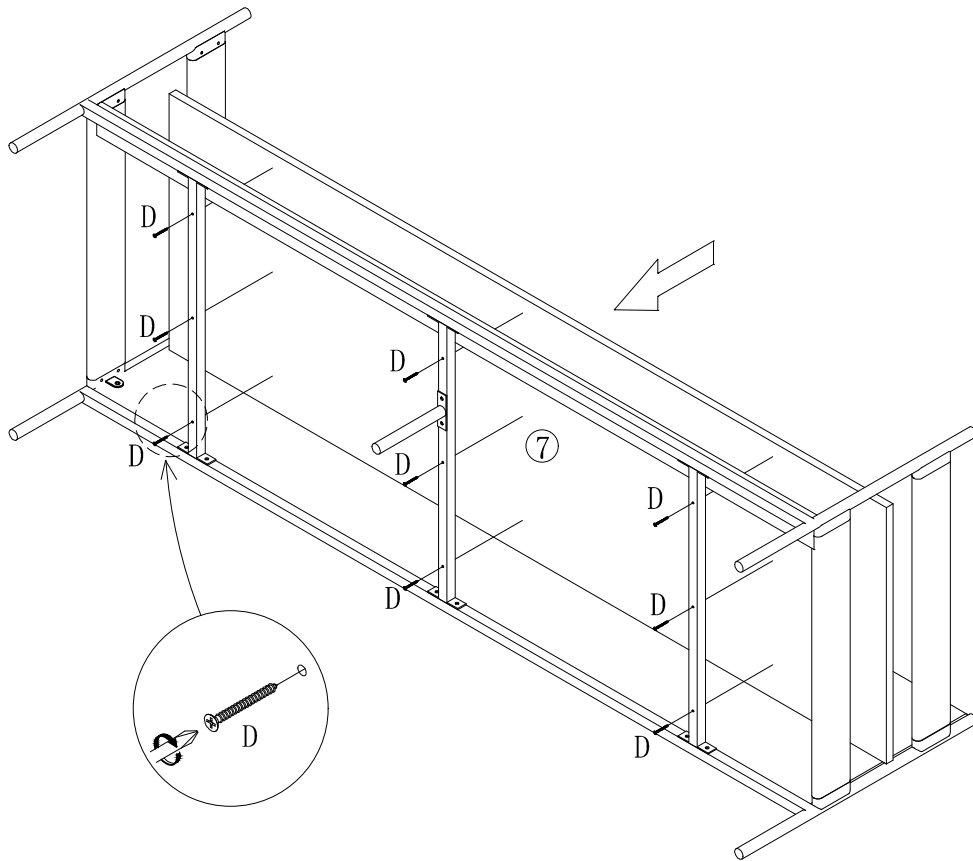
No. B  
Quantity:1Pcs  
Allen key:M8



No. C  
Quantity:8Pcs  
Screw 4\*15



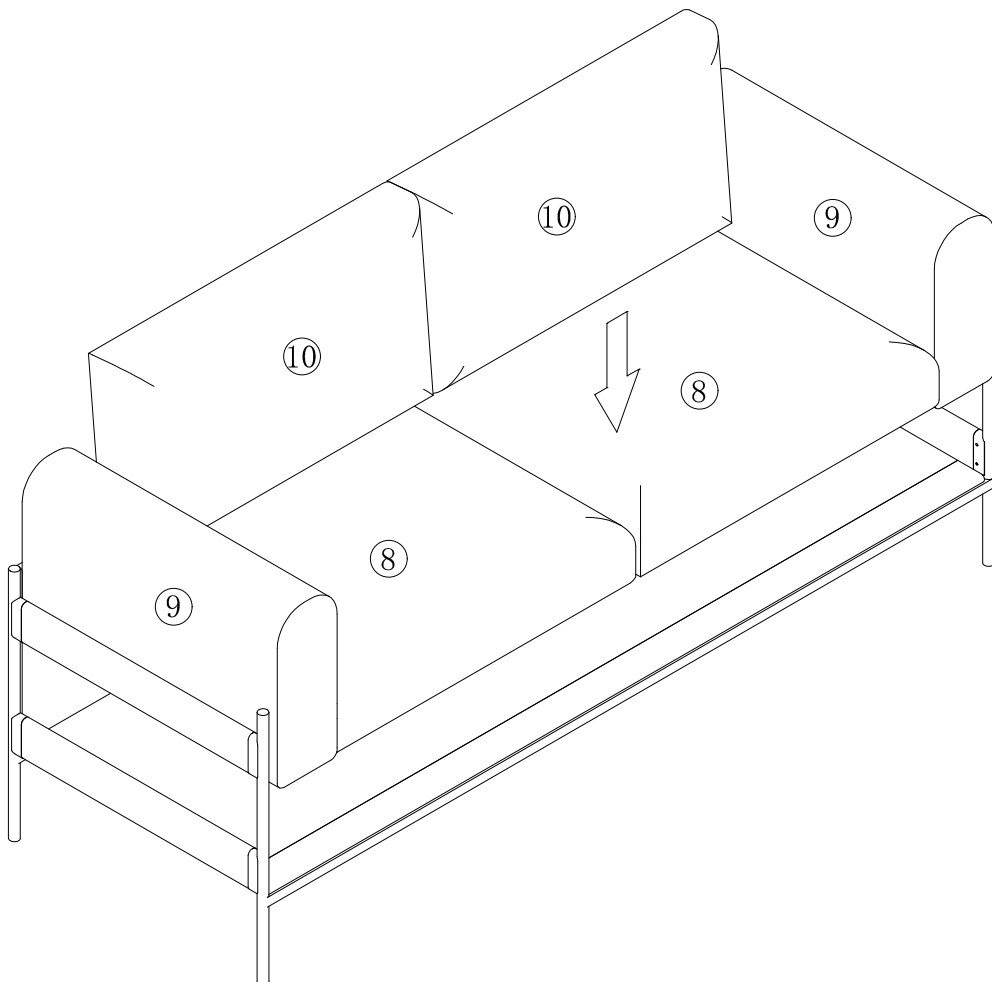
### STEP 3

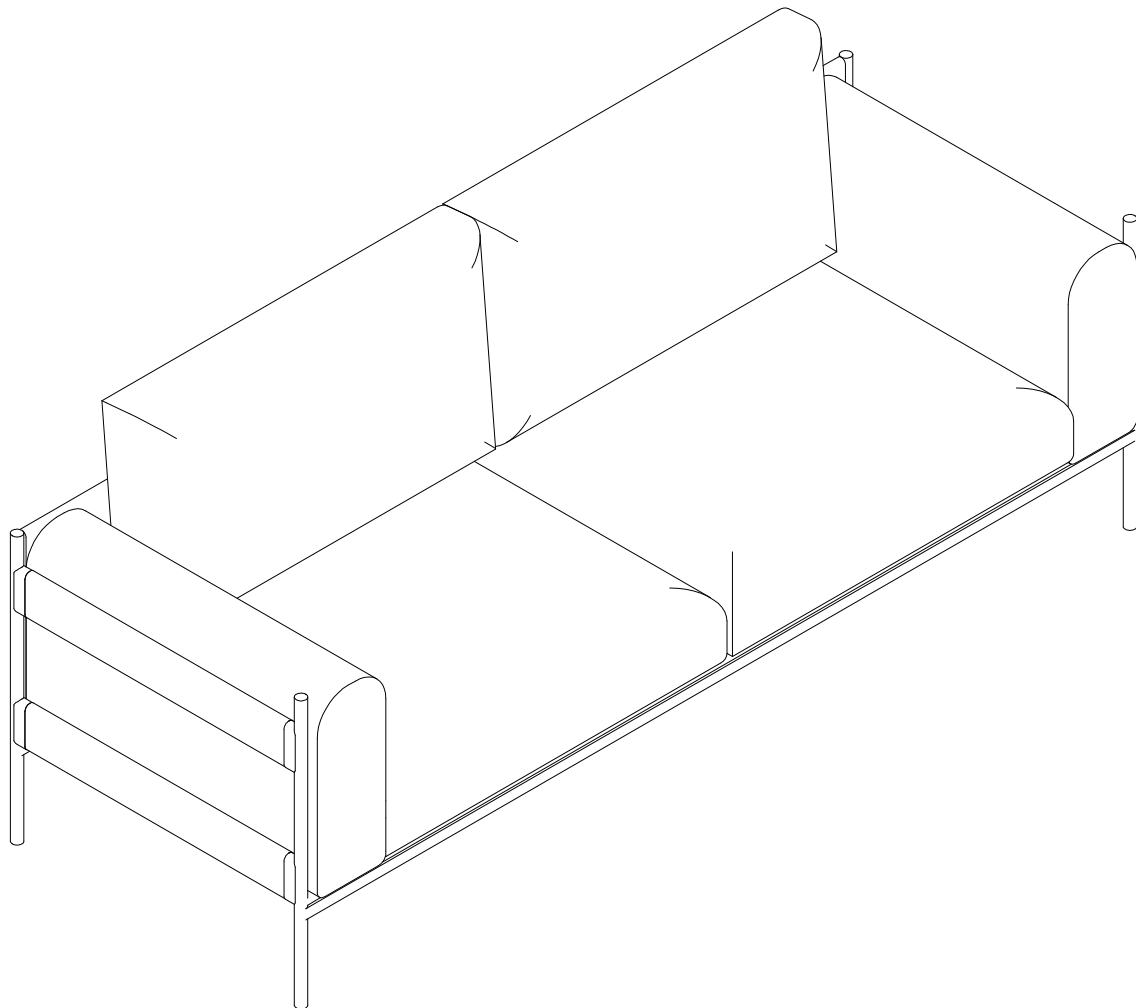


No. D  
Quantity: 9Pcs  
Screw 4\*35



### STEP 4







Great job. You're done!

Don't forget to share how it looks in  
your space and tag us on Instagram.  
[@lifelyhome](#) [#homewithlifely!](#)