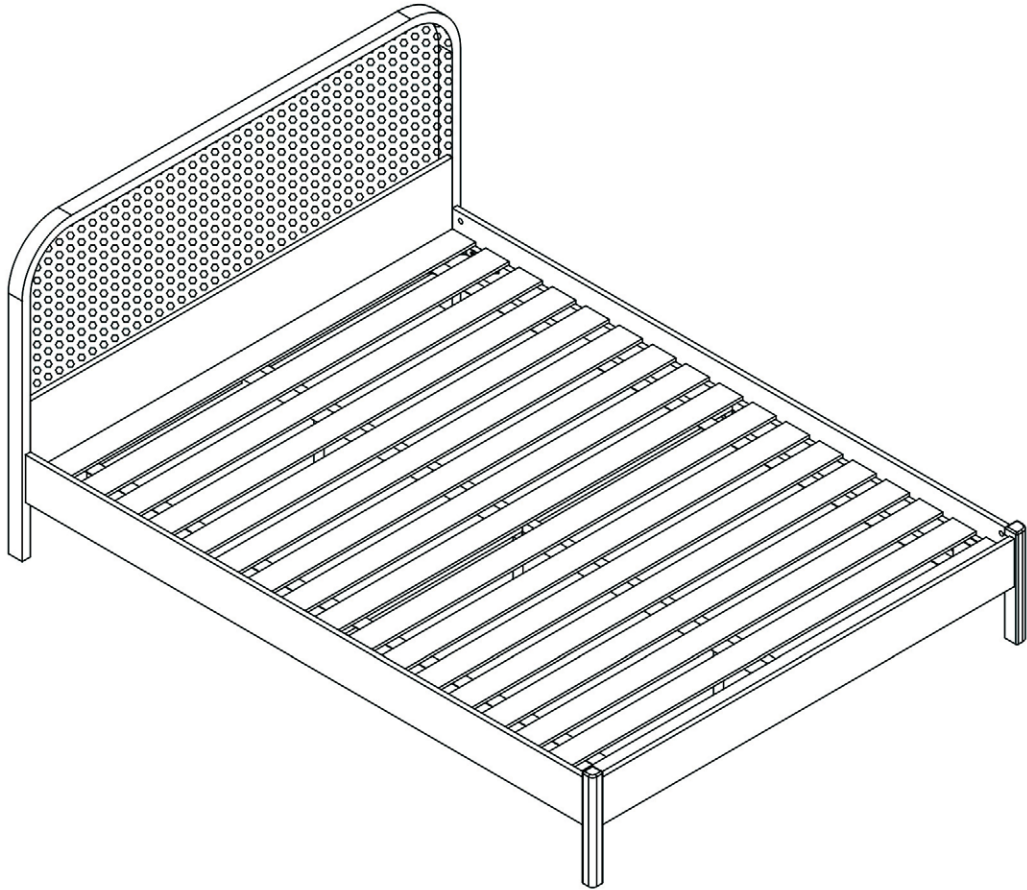


# Assembly Instructions

## LANA SERIES



# Lifely\*

Product Name  
Lana Wooden Bed Frame -King

Dimensions(W x D x H)  
King Size:1912x2121x1000mm

---

### Important

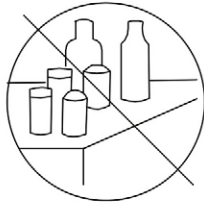
Please read through instruction carefully  
Before assembly and keep for future reference.

For our full catalogue of assembly instructions,  
Visit: [lifely.com.au/assembly](http://lifely.com.au/assembly).

## Important Tips and Maintenance



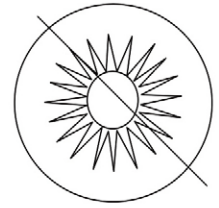
1. Keep children and animals away from working area as smaller parts may cause choking if swallowed.



2. Never place liquids or anything damp upon furniture as it will mark. Ensure a coaster or running is beneath.



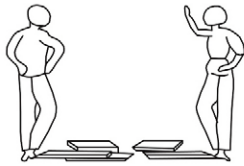
3. Never use ammonia based cleaning products as it will damage the finish.



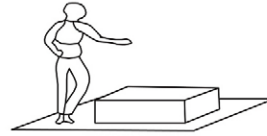
4. To avoid fading, keep furniture out of direct sunlight.



5. Use a soft or damp cloth (dry cloth) when wiping or cleaning surfaces.



6. Two person are required.



7. Lay a soft mat down to protect the furniture piece before and during assembly.



8. SET-UP TIME:30 MINUTE

### NOTICE:

**DRAGGING MAY CAUSE THE CENTRAL LEGS FAILURE AFTER FINISH THE INSTALLATION, SUGGEST LIFTING THE BEDFRAME BY TWO PERSONS WHEN YOU WANT TO MOVE THE BEDFRAME.**

### IMPORTANT

**PLEASE READ THESE INSTRUCTION CAREFULLY BEFORE STARTING ASSEMBLY**

So your relationship is strong. But is it flat-pack furniture strong? Unless you're an aerospace engineer, assembling furniture can be slightly stressful. We recommend meditating quietly, pouring yourself a herbal tea (or slightly less herbal wine) and tackling things one step at a time. If you feel a passive aggressive remark coming on, try a compliment instead. E.g. "You're so good looking".

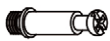
This 11-Step assembly should take around 40 minutes with an Allen Key or 25 minutes with an electric drill. Godspeed.

Designed for everyday

## Component Hardware

Please check you have all the fittings  
part or tools are listed in below.

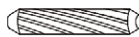
No. A  
Quantity:2Pcs  
Cam Bolt



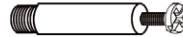
No. B  
Quantity:6Pcs  
Cam Nut



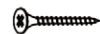
No. C  
Quantity:10Pcs  
Dowel 8mm



No. D  
Quantity:4Pcs  
Cam Bolt



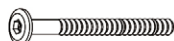
No. E  
Quantity:24Pcs  
Screw 4\*20mm



No. F  
Quantity:1Pc  
Allen Key (M4)



No. G  
Quantity:4Pcs  
Screw M8\*80mm



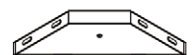
No. H  
Quantity:4Pcs  
Hammer Nut 12\*15mm



No. I  
Quantity:3Pcs  
Iron sheets 50\*30mm



No. J  
Quantity:2Pcs  
Corner connector



No. K  
Quantity:8Pcs  
Screw M8\*15mm



No. L  
Quantity:16Pcs  
Screw 2\*24mm



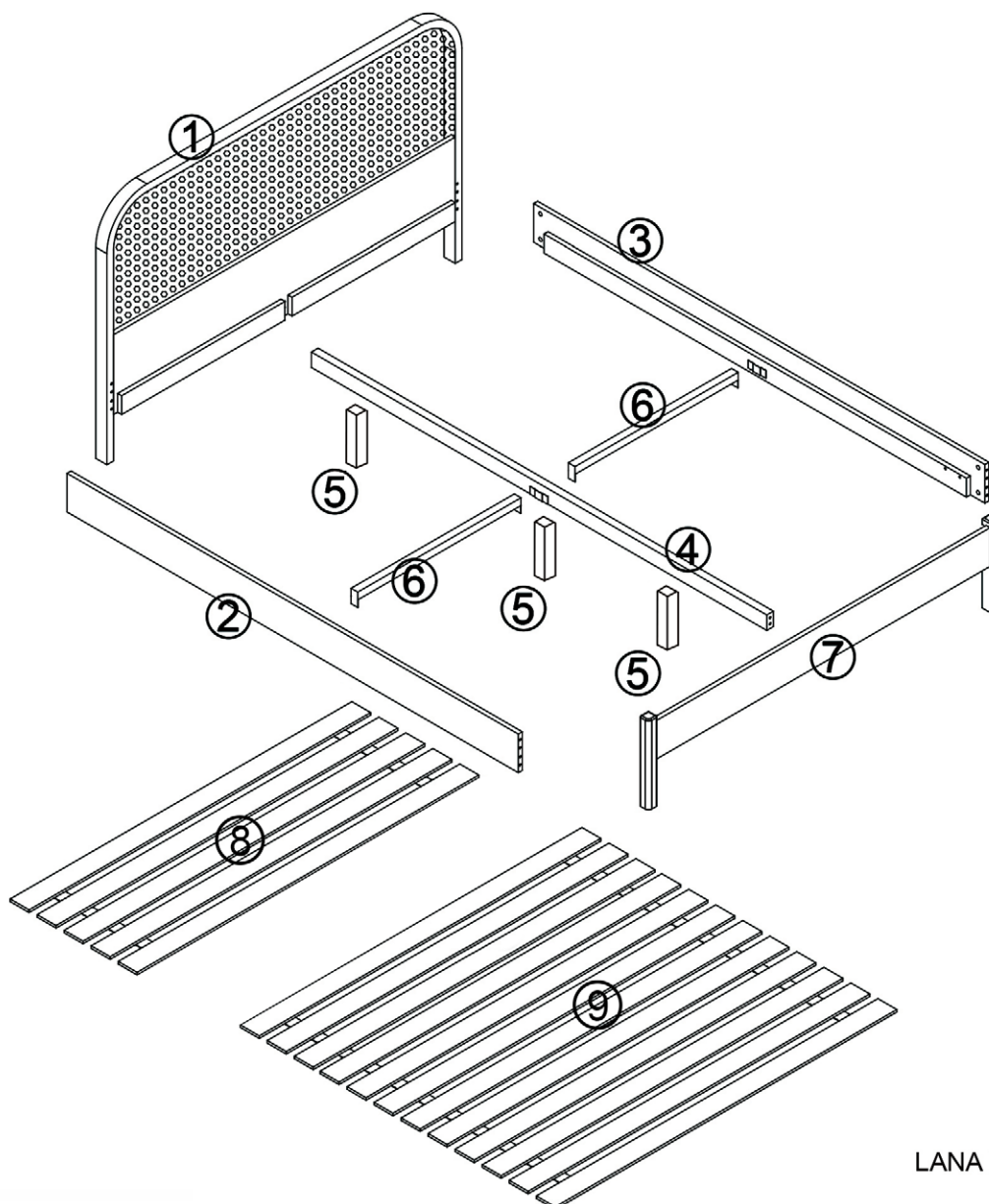
No. M  
Quantity:1Pc  
Allen Key (M6)



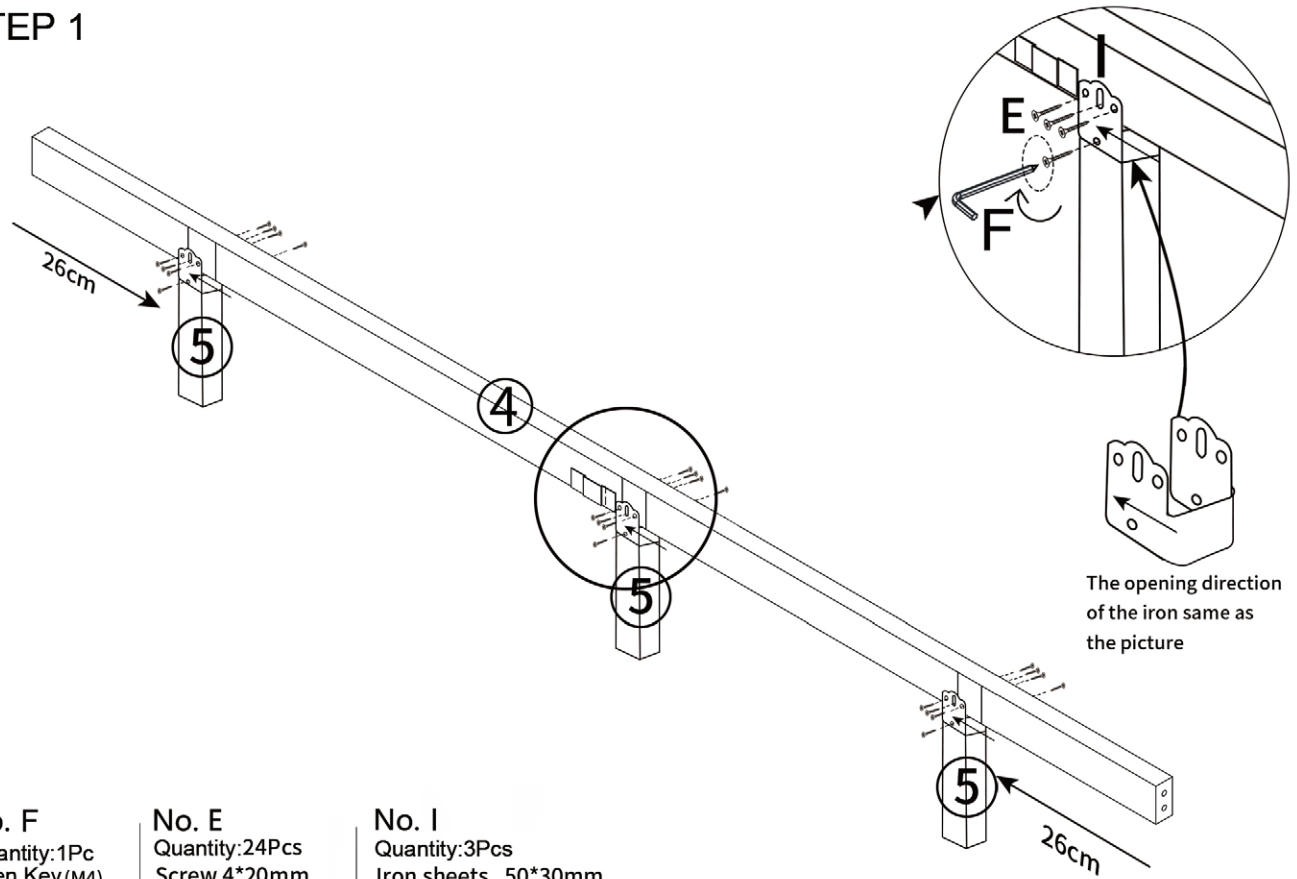
## Component Panels & part List

Please check you have all the panels  
are listed below.

- |    |                    |       |    |            |
|----|--------------------|-------|----|------------|
| 1. | BED HEADBOARD      | ----- | x1 | Carton 1/2 |
| 2. | SIDE RAIL-R        | ----- | x1 | Carton 2/2 |
| 3. | SIDE RAIL-L        | ----- | x1 | Carton 2/2 |
| 4. | CENTRAL RAIL       | ----- | x1 | Carton 2/2 |
| 5. | MIDDLE SUPPORT LEG | ----- | x3 | Carton 2/2 |
| 6. | CONNECTING BAR     | ----- | x2 | Carton 1/2 |
| 7. | BED END            | ----- | x1 | Carton 1/2 |
| 8. | BED SLATS A        | ----- | x1 | Carton 1/2 |
| 9. | BED SLATS B        | ----- | x1 | Carton 2/2 |



# STEP 1



The opening direction of the iron same as the picture

**No. F**  
Quantity:1Pc  
Allen Key (M4)



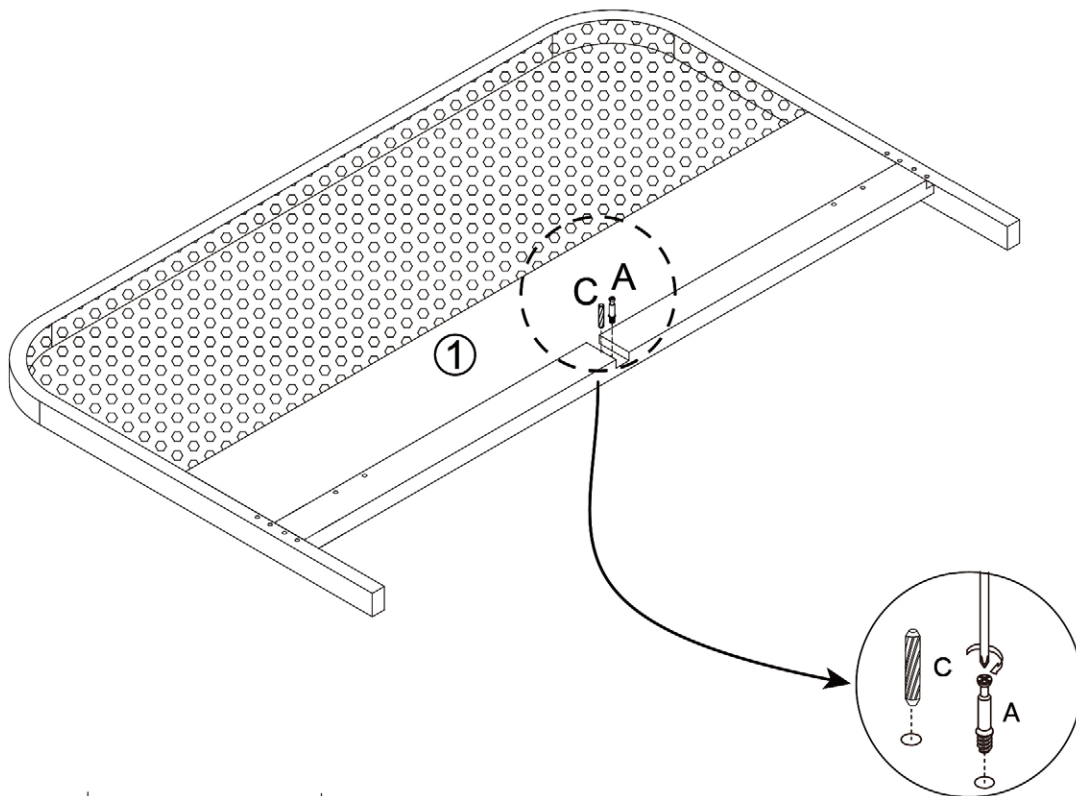
**No. E**  
Quantity:24Pcs  
Screw 4\*20mm



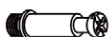
**No. I**  
Quantity:3Pcs  
Iron sheets 50\*30mm



# STEP 2



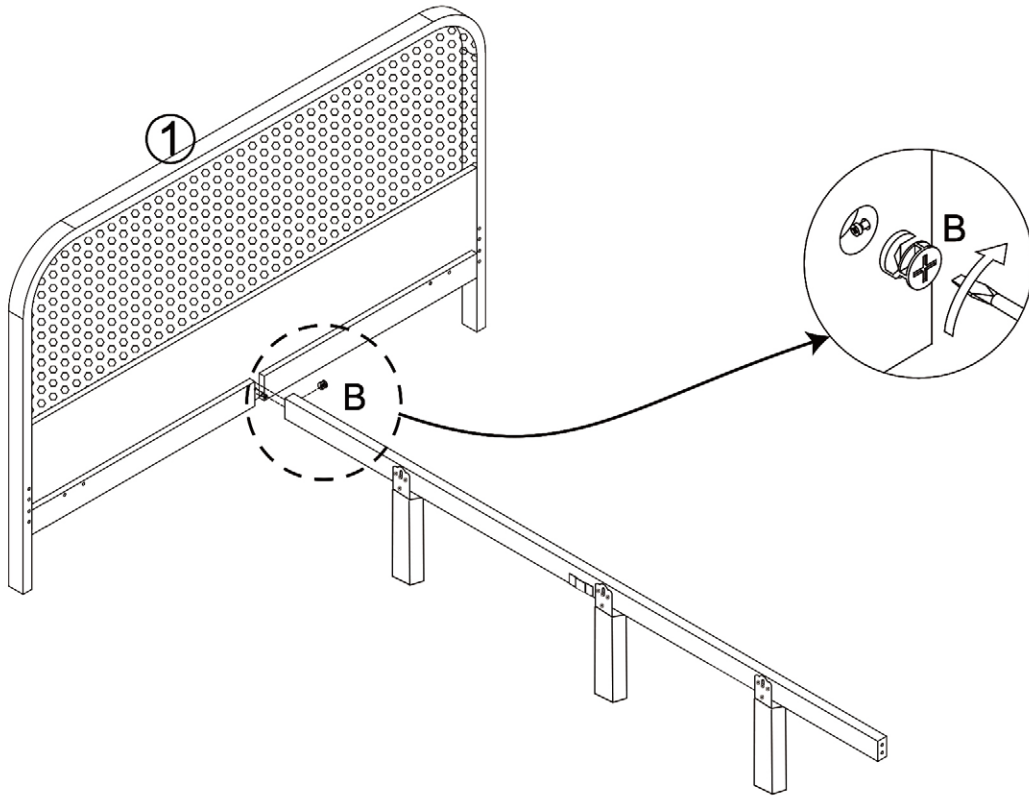
**No. A**  
Quantity:1Pc  
Cam Bolt



**No. C**  
Quantity:1Pc  
Dowel



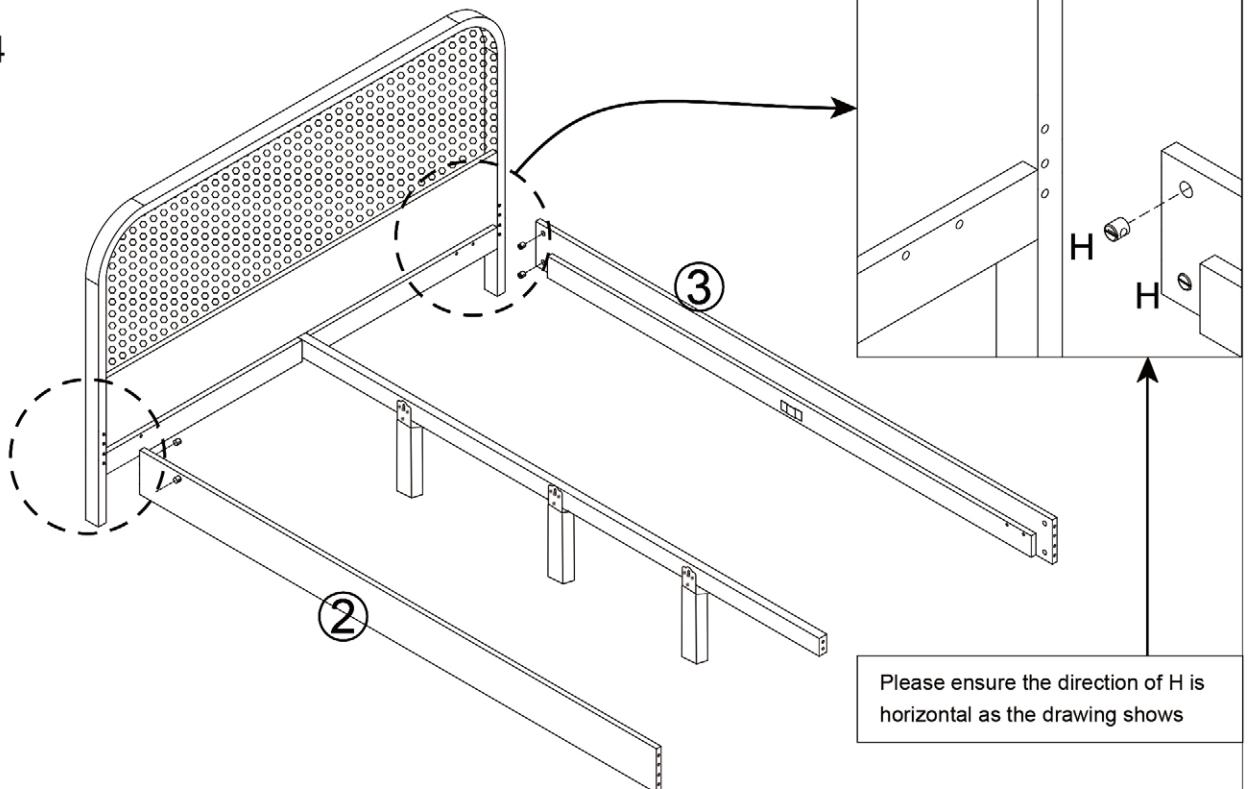
### STEP 3



No. B  
Quantity:1Pc  
Cam Nut



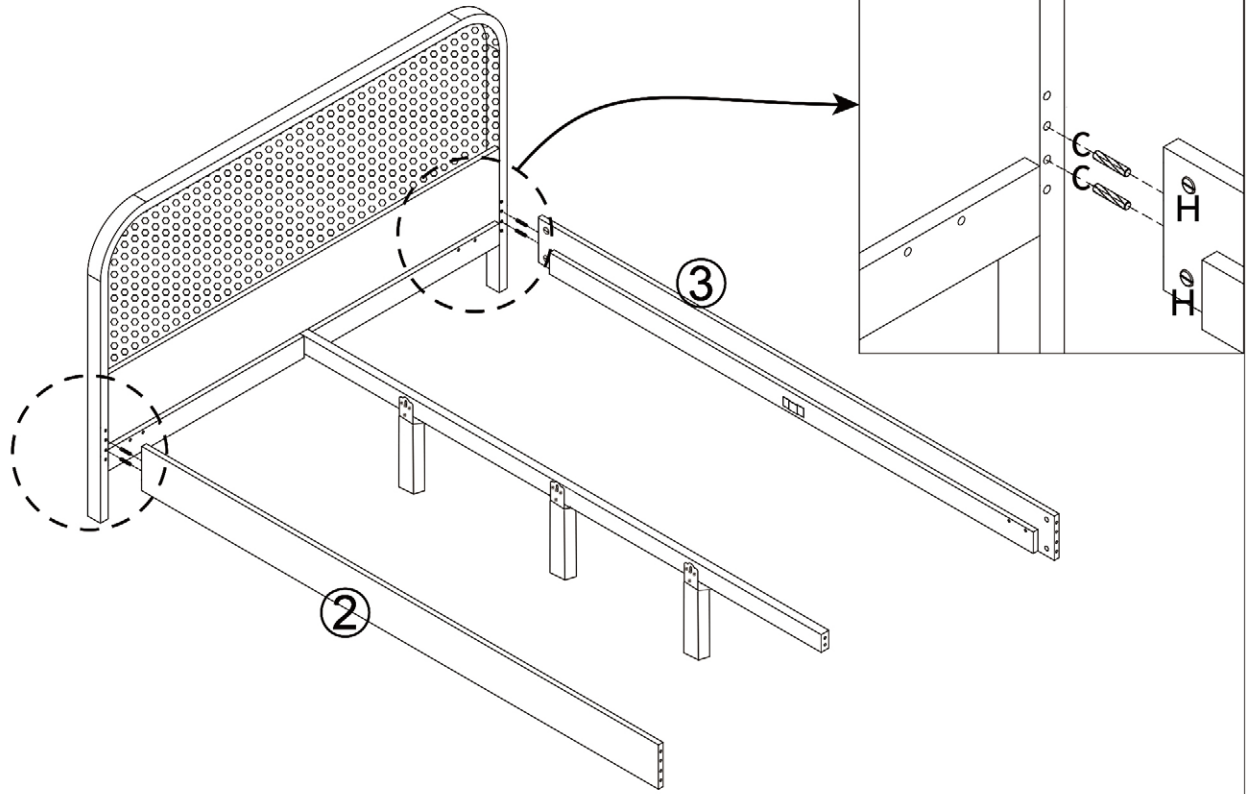
### STEP 4



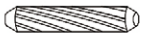
No. H  
Quantity:4Pcs  
Hammer Nut 12\*15mm



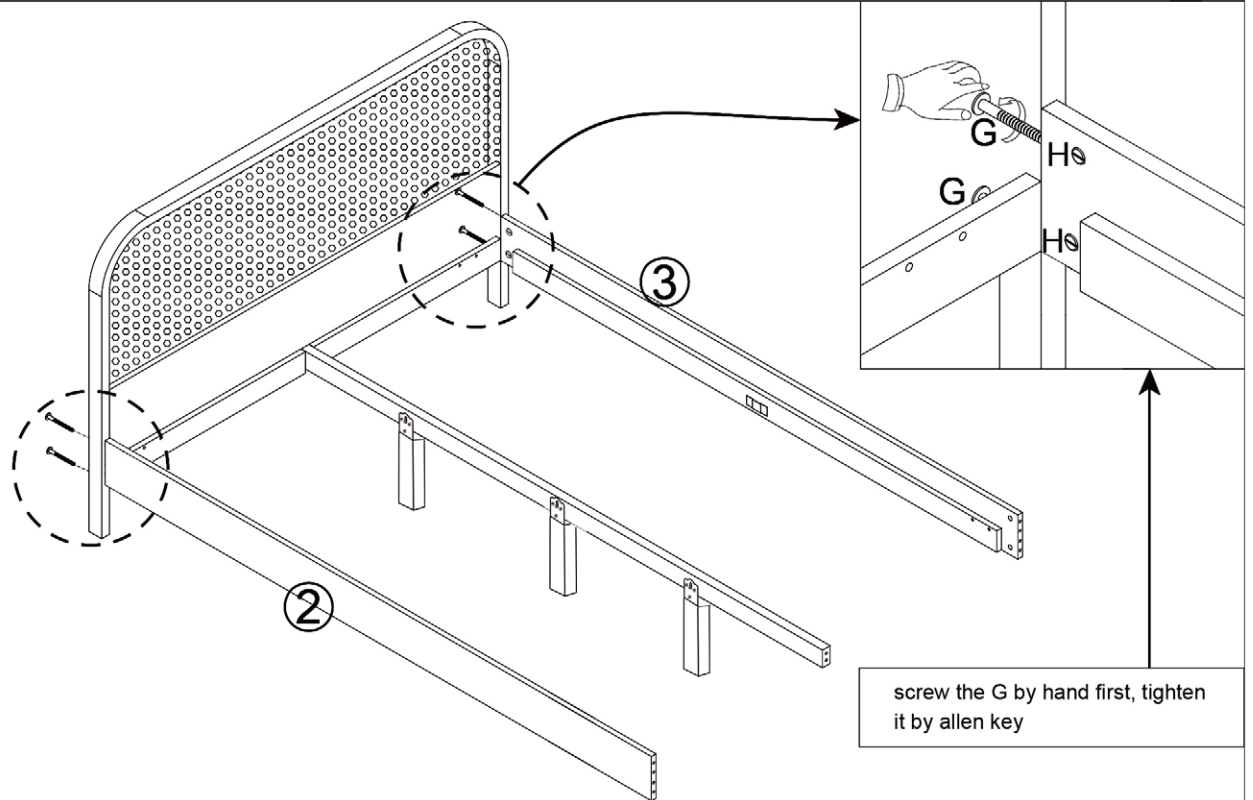
# STEP 5



No. C  
Quantity: 4Pcs  
Dowel 8mm



# STEP 6



No. G  
Quantity: 4Pcs  
Screw M8\*80mm

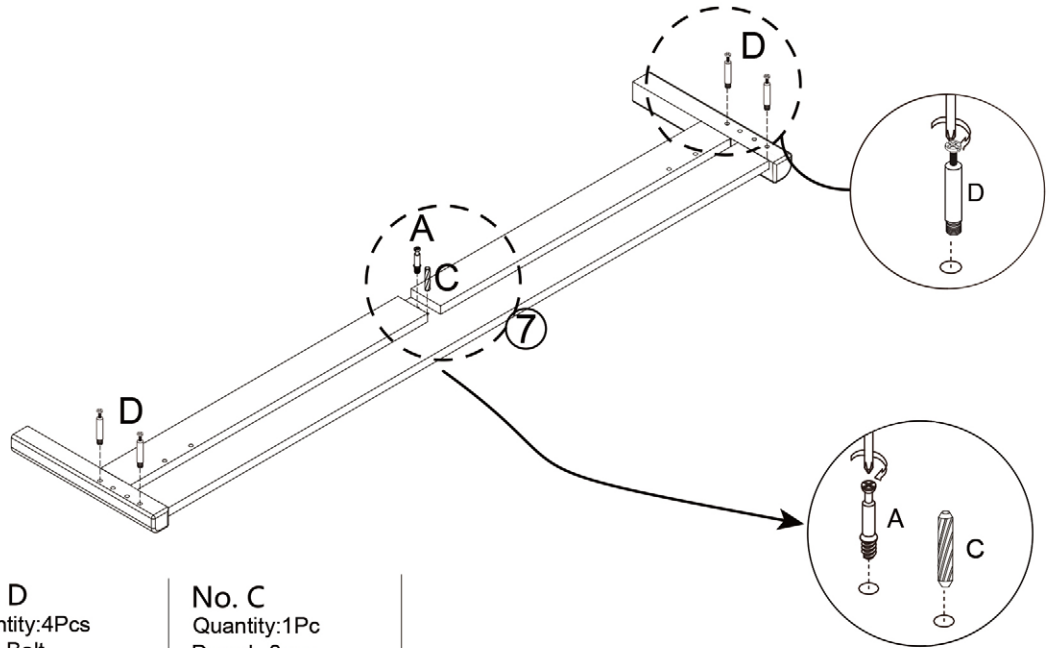


No. M  
Quantity: 1Pc  
Allen Key (M6)

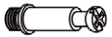




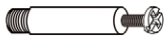
# STEP 7



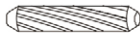
No. A  
Quantity: 1Pc  
Cam Bolt



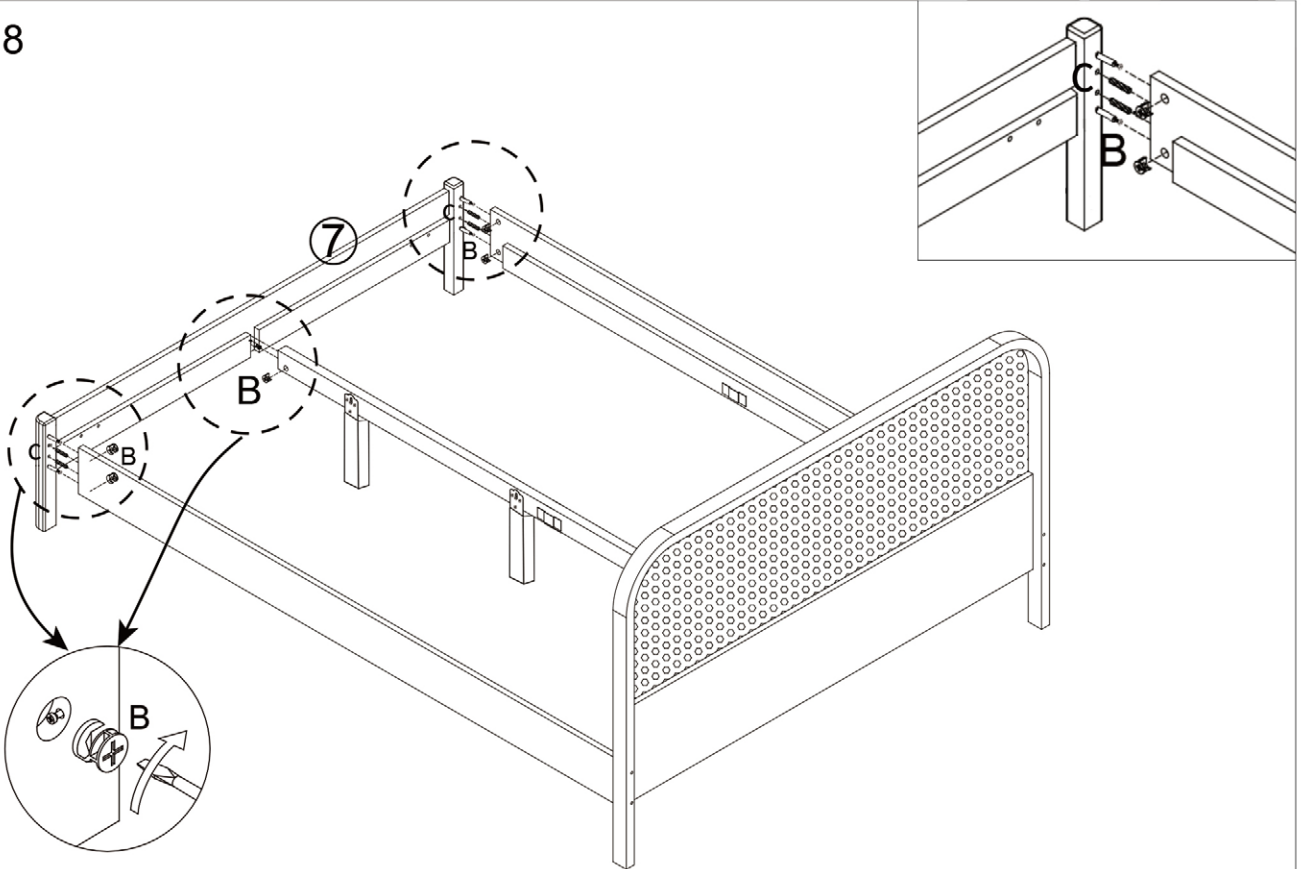
No. D  
Quantity: 4Pcs  
Cam Bolt



No. C  
Quantity: 1Pc  
Dowel 8mm



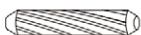
# STEP 8



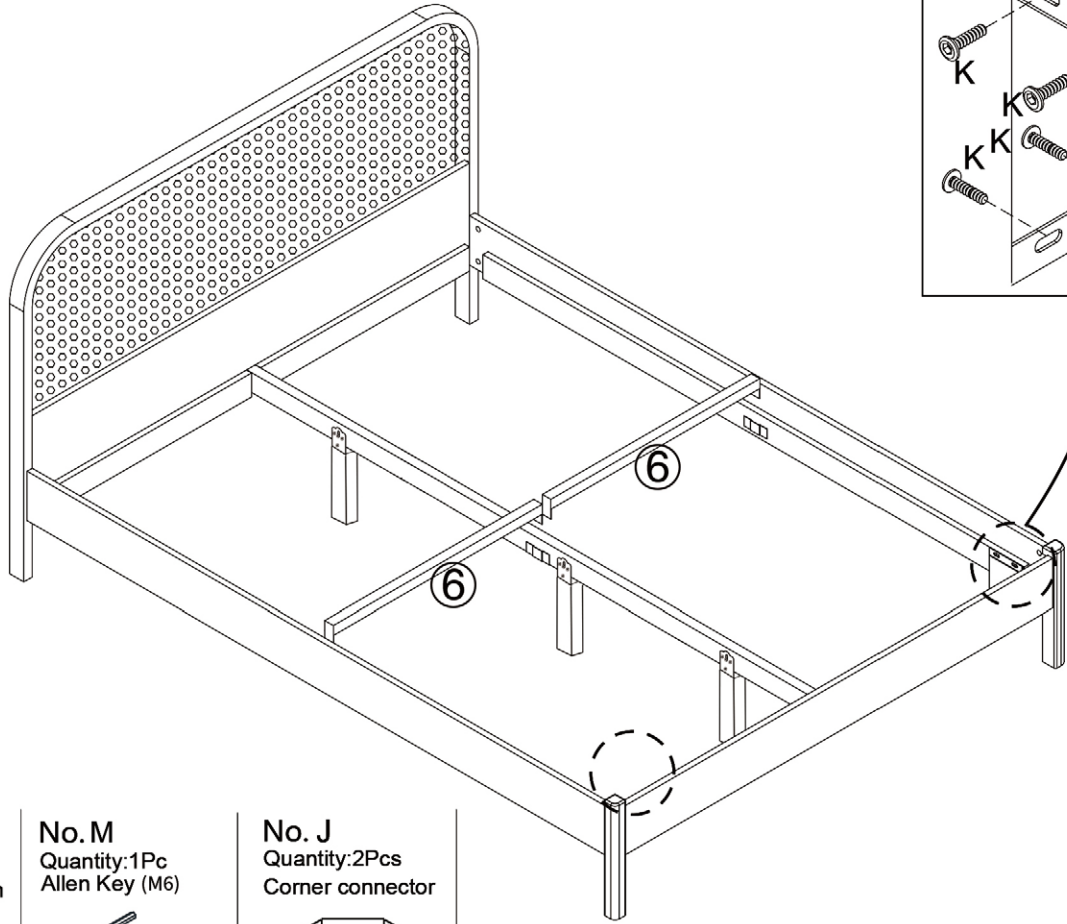
No. B  
Quantity: 5Pcs  
Cam Nut



No. C  
Quantity: 4Pcs  
Dowel 8mm



# STEP 9



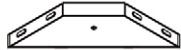
**No. K**  
Quantity: 8Pcs  
Screw M8\*15mm



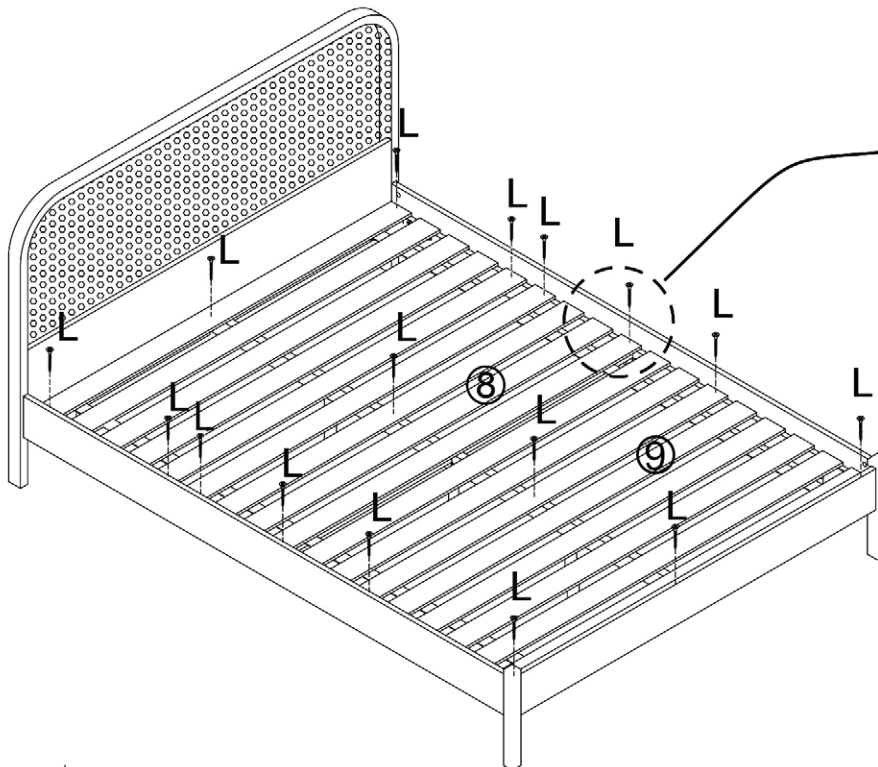
**No. M**  
Quantity: 1Pc  
Allen Key (M6)



**No. J**  
Quantity: 2Pcs  
Corner connector



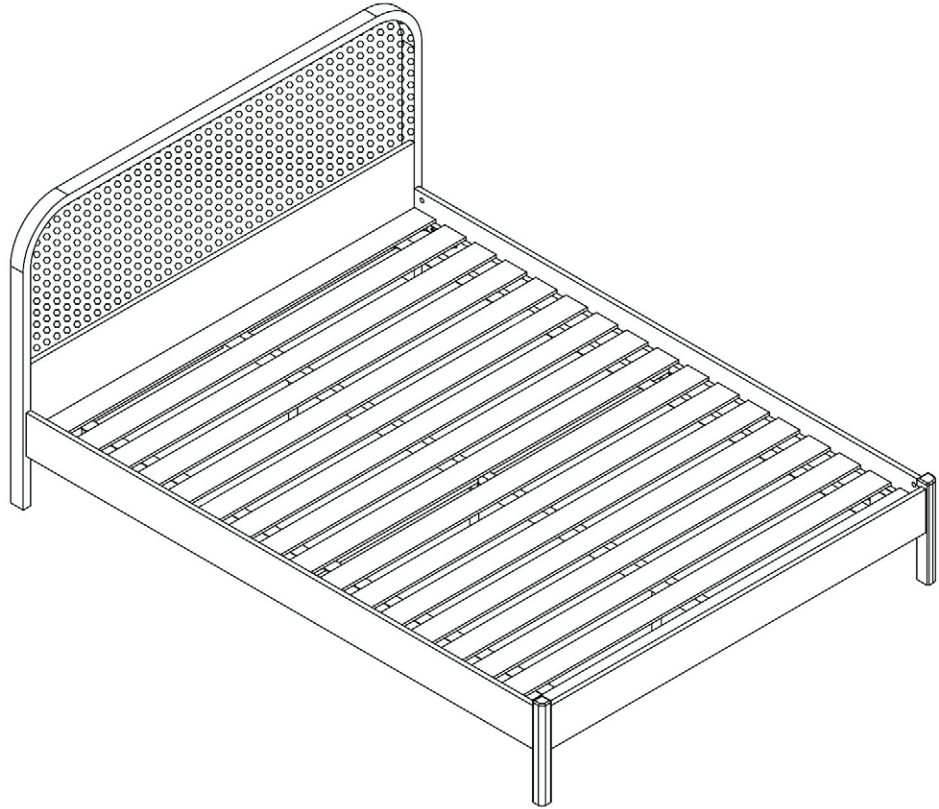
# STEP 10



**No. L**  
Quantity: 16Pcs  
Screw 2\*24mm



STEP 11



[lifely.com.au](https://lifely.com.au)

Great job. You're done!

Don't forget to share how it looks in  
your space and tag us on Instagram.  
[@lifelyhome](https://www.instagram.com/lifelyhome) [#homewithlifely](https://www.instagram.com/homewithlifely)!