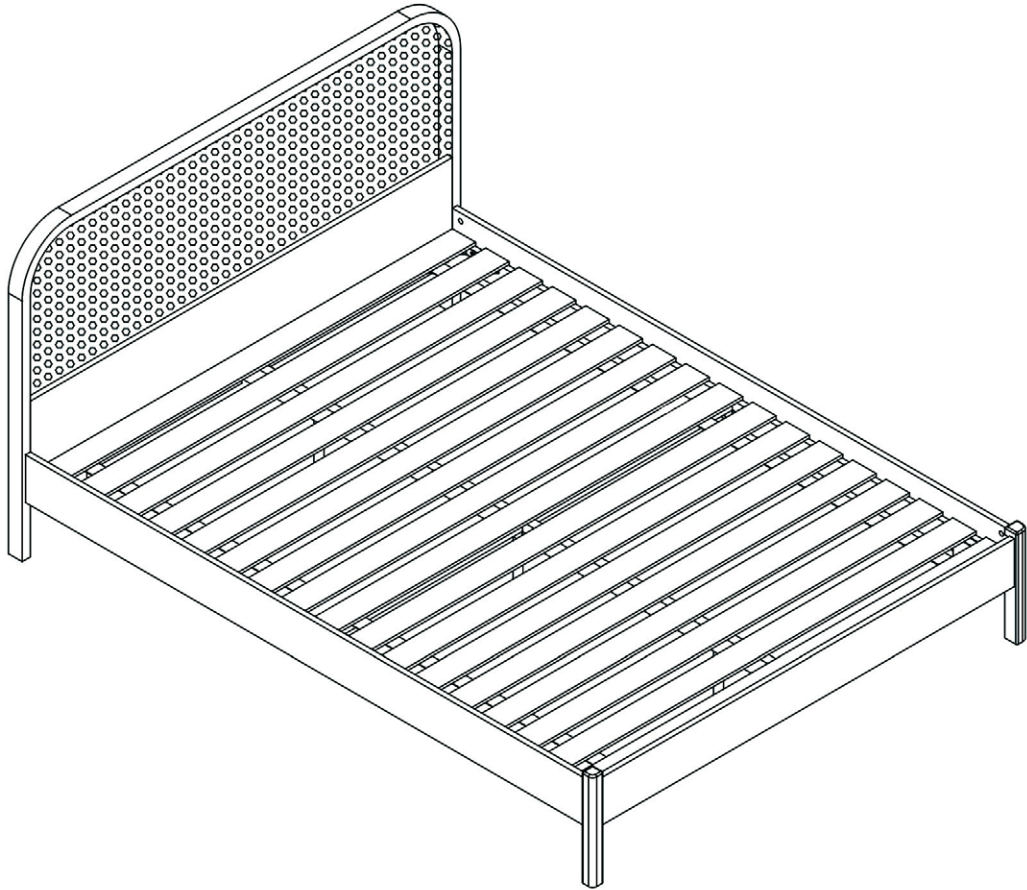


Assembly Instructions

LANA SERIES



Lifely*

Product Name
Lana Wooden Bed Frame -Queen

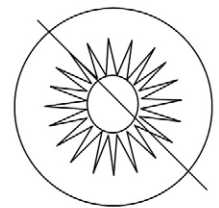
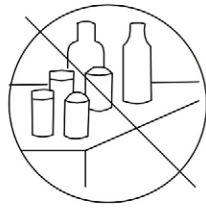
Dimensions(W x D x H)
Queen Size:1594x2121x1000mm

Important

Please read through instruction carefully
Before assembly and keep for future reference.

For our full catalogue of assembly instructions,
Visit: lifely.com.au/assembly.

Important Tips and Maintenance

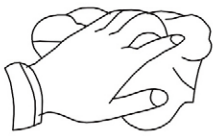


1. Keep children and animals away from working area as smaller parts may cause choking if swallowed.

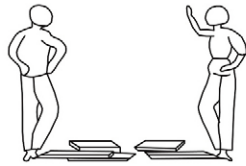
2. Never place liquids or anything damp upon furniture as it will mark. Ensure a coaster or running is beneath.

3. Never use ammonia based cleaning products as it will damage the finish.

4. To avoid fading, keep furniture out of direct sunlight.



5. Use a soft or damp cloth (dry cloth) when wiping or cleaning surfaces.



6. Two person are required.



7. Lay a soft mat down to protect the furniture piece before and during assembly.



8. SET-UP TIME:30 MINUTE

NOTICE:

DRAGGING MAY CAUSE THE CENTRAL LEGS FAILURE AFTER FINISH THE INSTALLATION, SUGGEST LIFTING THE BEDFRAME BY TWO PERSONS WHEN YOU WANT TO MOVE THE BEDFRAME.

IMPORTANT

PLEASE READ THESE INSTRUCTION CAREFULLY BEFORE STARTING ASSEMBLY

So your relationship is strong. But is it flat-pack furniture strong? Unless you're an aerospace engineer, assembling furniture can be slightly stressful. We recommend meditating quietly, pouring yourself a herbal tea (or slightly less herbal wine) and tackling things one step at a time. If you feel a passive aggressive remark coming on, try a compliment instead. E.g. "You're so good looking".

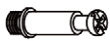
This 11-Step assembly should take around 40 minutes with an Allen Key or 25 minutes with an electric drill. Godspeed.

Designed for everyday

Component Hardware

Please check you have all the fittings
part or tools are listed in below.

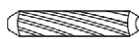
No. A
Quantity:2Pcs
Cam Bolt



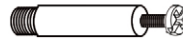
No. B
Quantity:6Pcs
Cam Nut



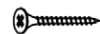
No. C
Quantity:10Pcs
Dowel 8mm



No. D
Quantity:4Pcs
Cam Bolt



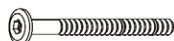
No. E
Quantity:24Pcs
Screw 4*20mm



No. F
Quantity:1Pc
Allen Key (M4)



No. G
Quantity:4Pcs
Screw M8*80mm



No. H
Quantity:4Pcs
Hammer Nut 12*15mm



No. I
Quantity:3Pcs
Iron sheets 50*30mm



No. J
Quantity:2Pcs
Corner connector



No. K
Quantity:8Pcs
Screw M8*15mm



No. L
Quantity:16Pcs
Screw 2*24mm



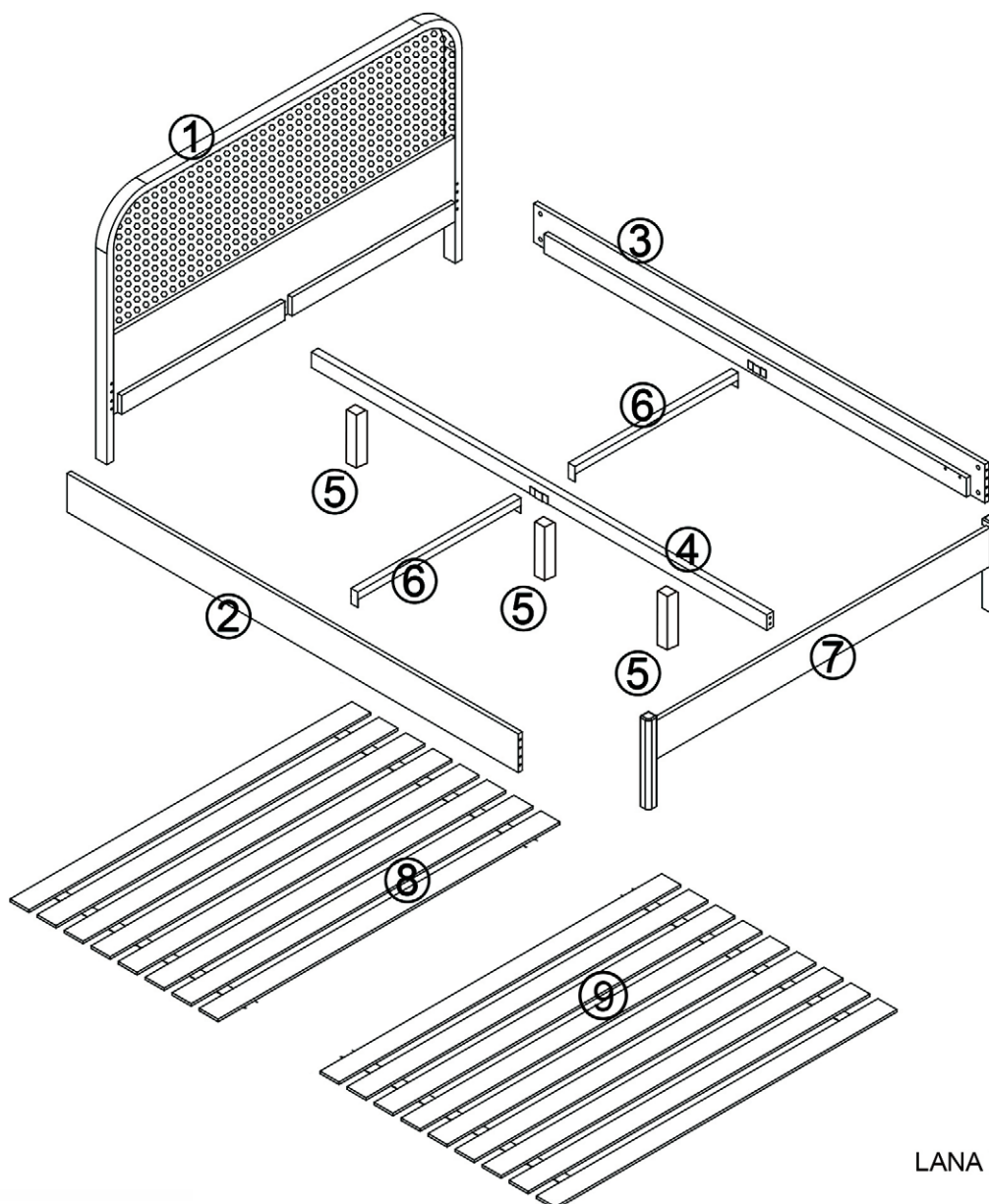
No. M
Quantity:1Pc
Allen Key (M6)



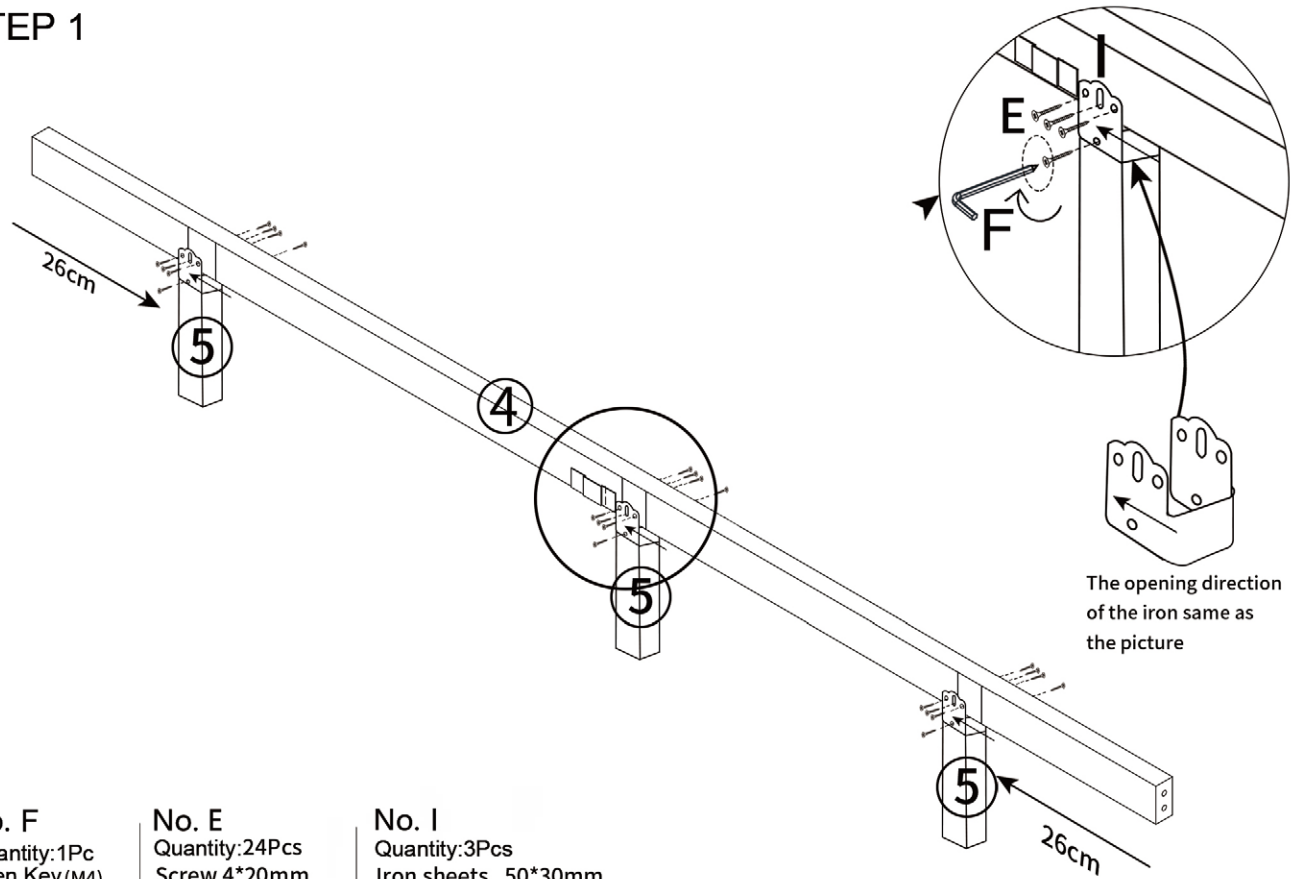
Component Panels & part List

Please check you have all the panels
are listed below.

- | | | | | |
|----|--------------------|-------|----|------------|
| 1. | BED HEADBOARD | ----- | x1 | Carton 1/2 |
| 2. | SIDE RAIL-R | ----- | x1 | Carton 2/2 |
| 3. | SIDE RAIL-L | ----- | x1 | Carton 2/2 |
| 4. | CENTRAL RAIL | ----- | x1 | Carton 2/2 |
| 5. | MIDDLE SUPPORT LEG | ----- | x3 | Carton 2/2 |
| 6. | CONNECTING BAR | ----- | x2 | Carton 1/2 |
| 7. | BED END | ----- | x1 | Carton 1/2 |
| 8. | BED SLATS A | ----- | x1 | Carton 2/2 |
| 9. | BED SLATS B | ----- | x1 | Carton 1/2 |



STEP 1



No. F
Quantity: 1Pc
Allen Key (M4)



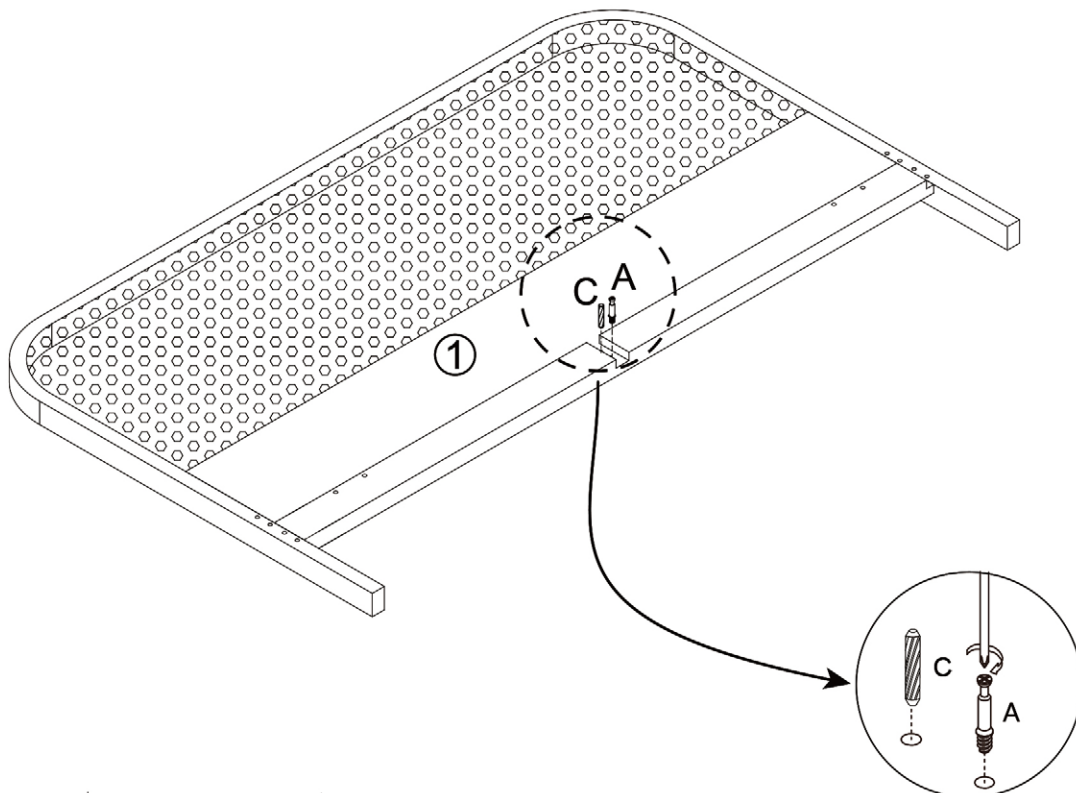
No. E
Quantity: 24Pcs
Screw 4*20mm



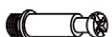
No. I
Quantity: 3Pcs
Iron sheets 50*30mm



STEP 2



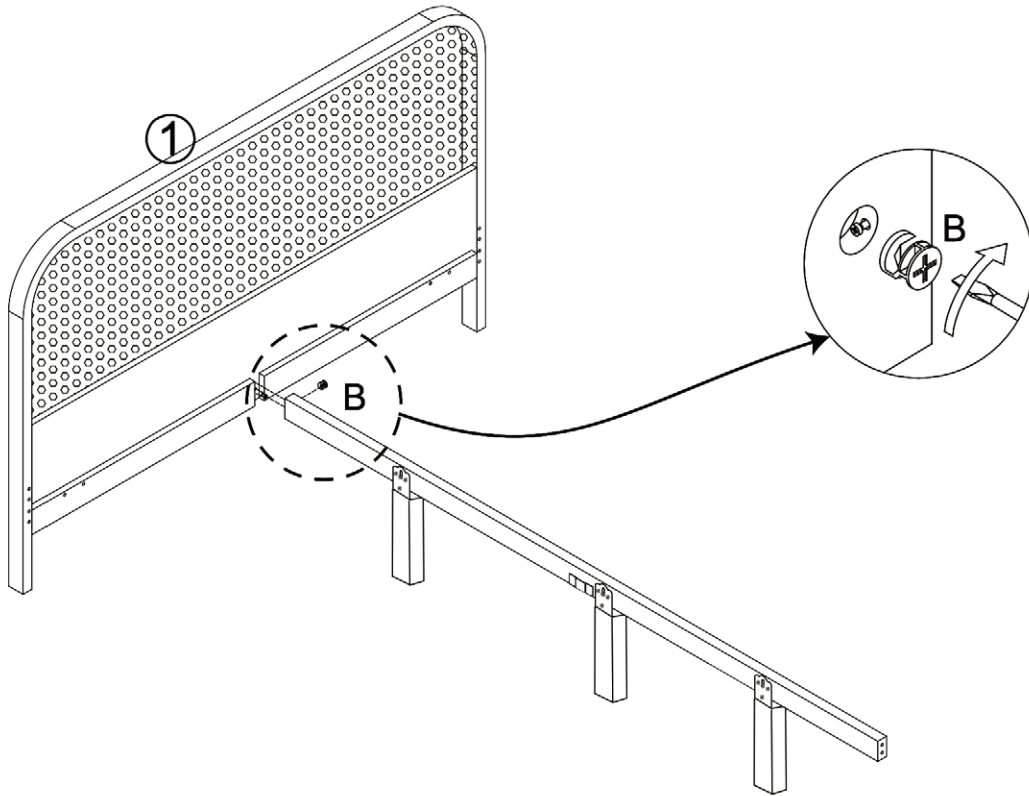
No. A
Quantity: 1Pc
Cam Bolt



No. C
Quantity: 1Pc
Dowel



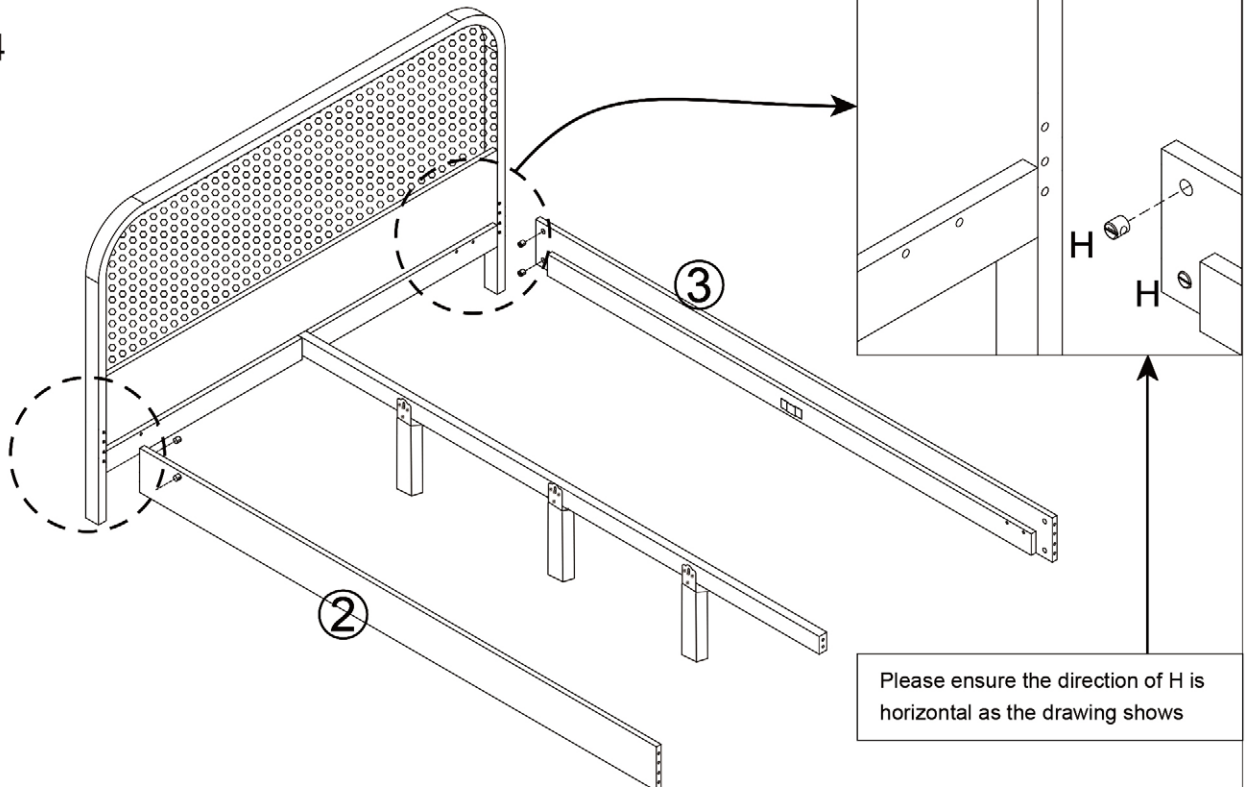
STEP 3



No. B
Quantity:1Pc
Cam Nut



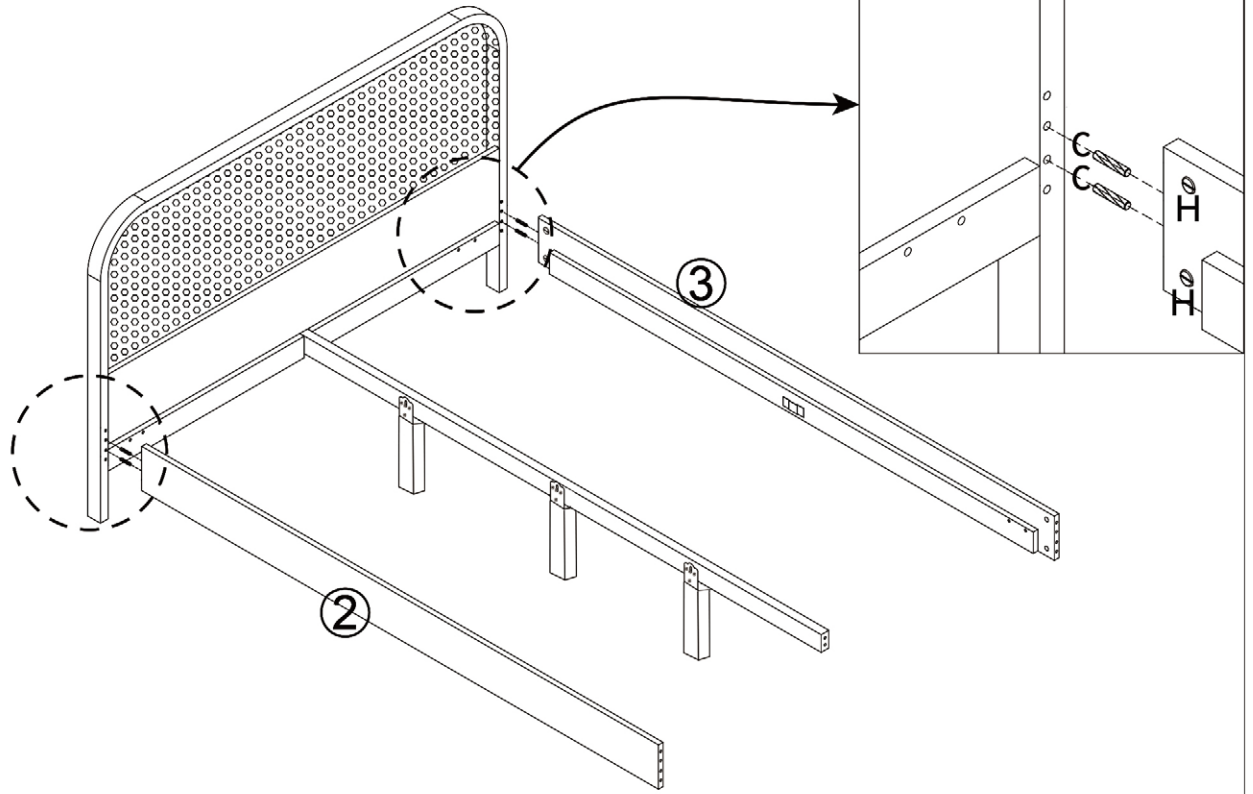
STEP 4



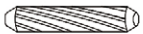
No. H
Quantity:4Pcs
Hammer Nut 12*15mm



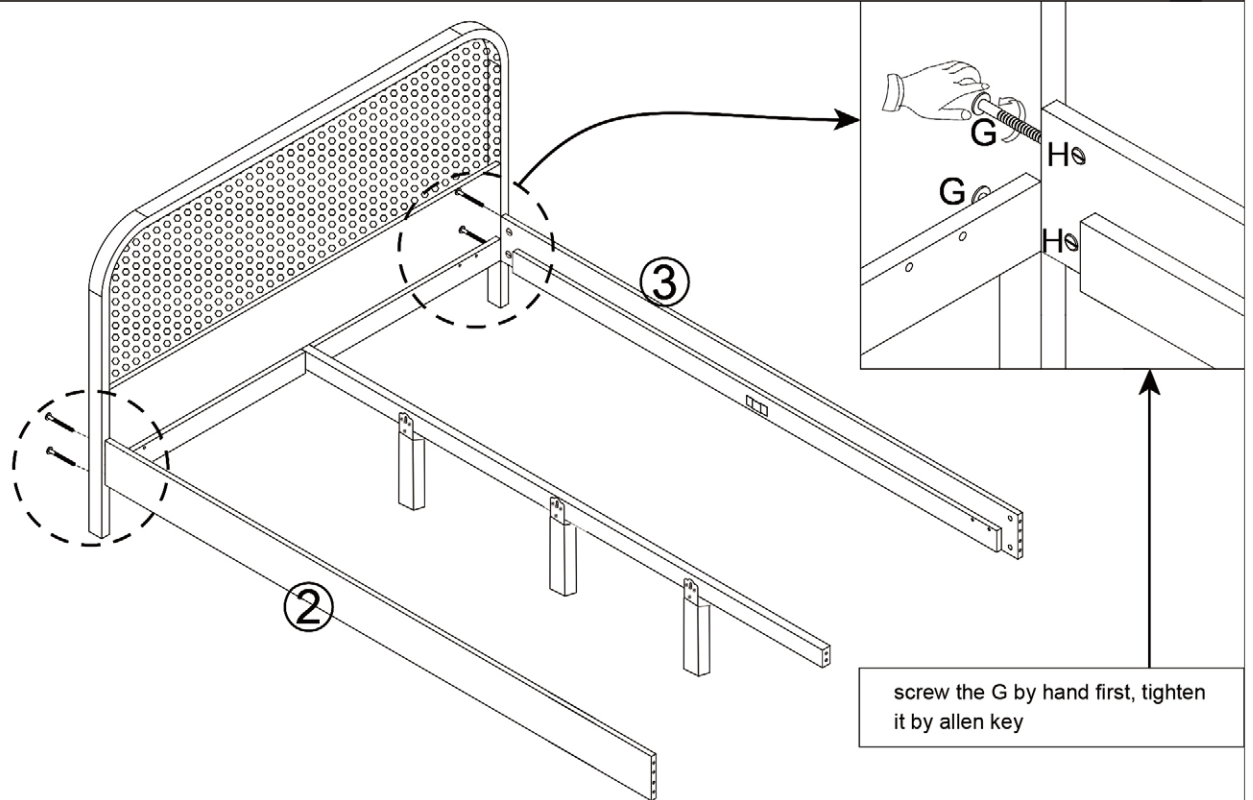
STEP 5



No. C
Quantity: 4Pcs
Dowel 8mm



STEP 6



screw the G by hand first, tighten it by allen key

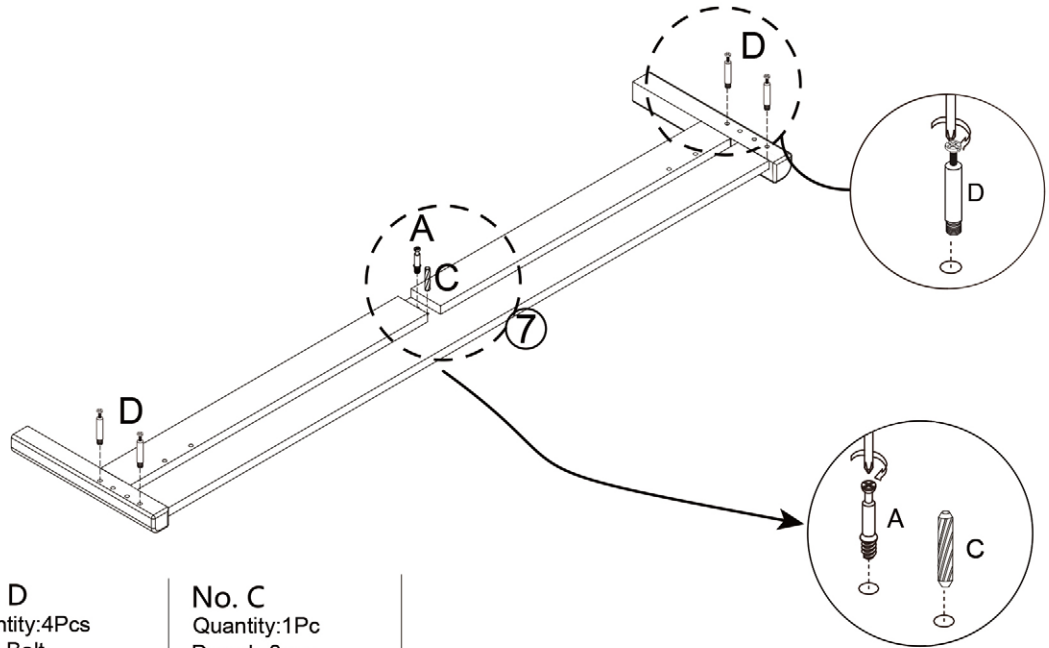
No. G
Quantity: 4Pcs
Screw M8*80mm



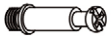
No. M
Quantity: 1Pc
Allen Key (M6)



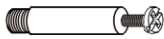
STEP 7



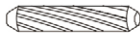
No. A
Quantity: 1Pc
Cam Bolt



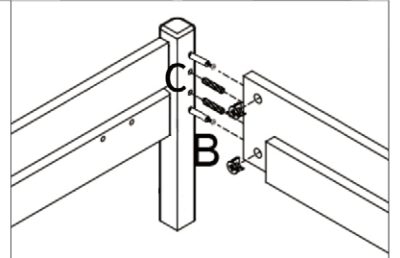
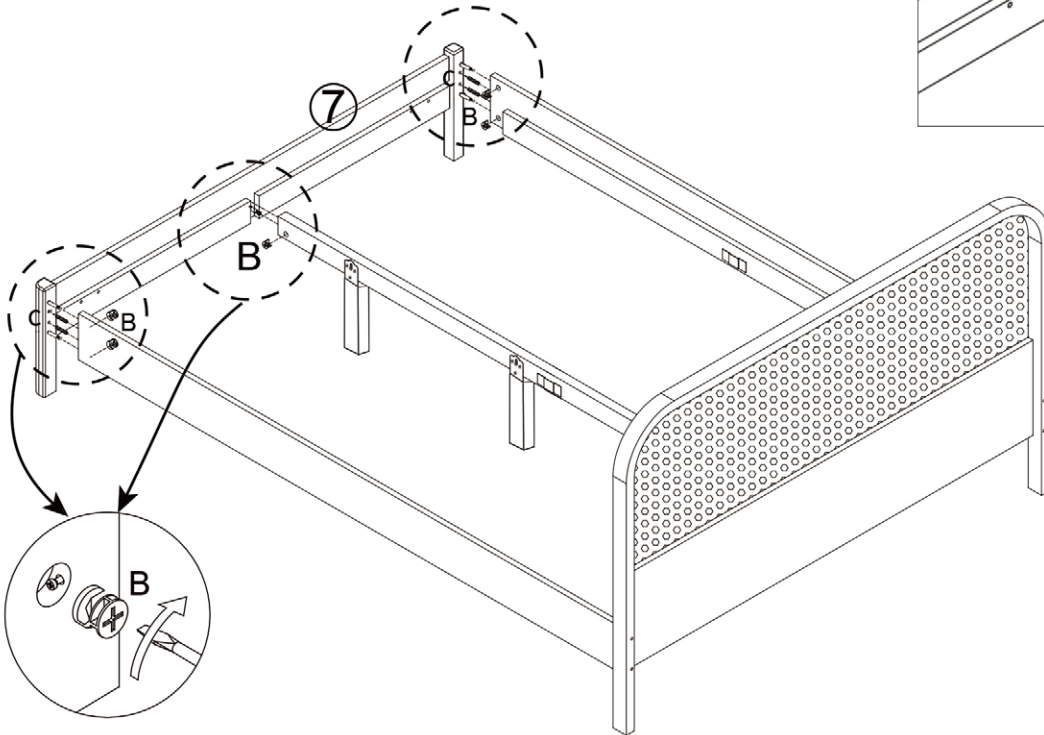
No. D
Quantity: 4Pcs
Cam Bolt



No. C
Quantity: 1Pc
Dowel 8mm



STEP 8



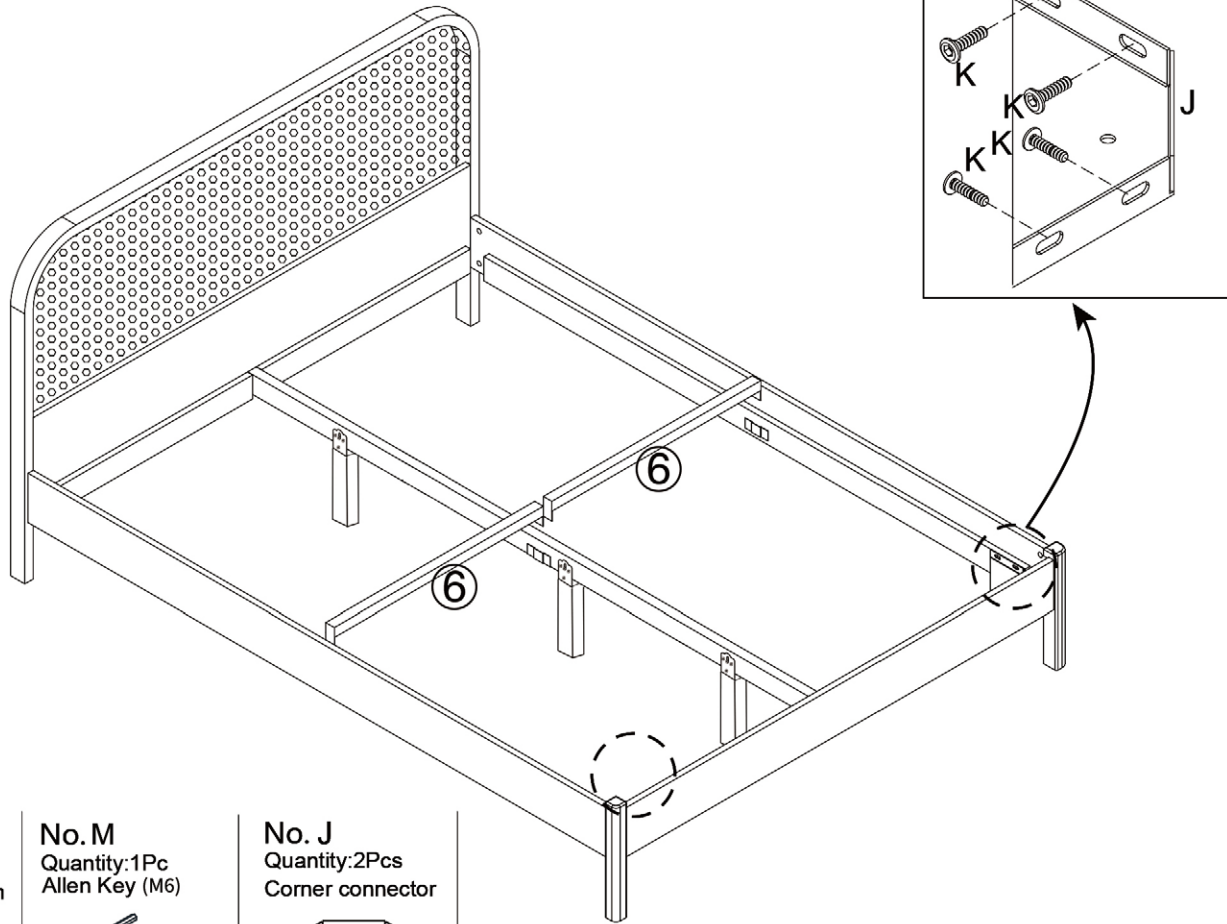
No. B
Quantity: 5Pcs
Cam Nut



No. C
Quantity: 4Pcs
Dowel 8mm



STEP 9



No. K
Quantity: 8Pcs
Screw M8*15mm



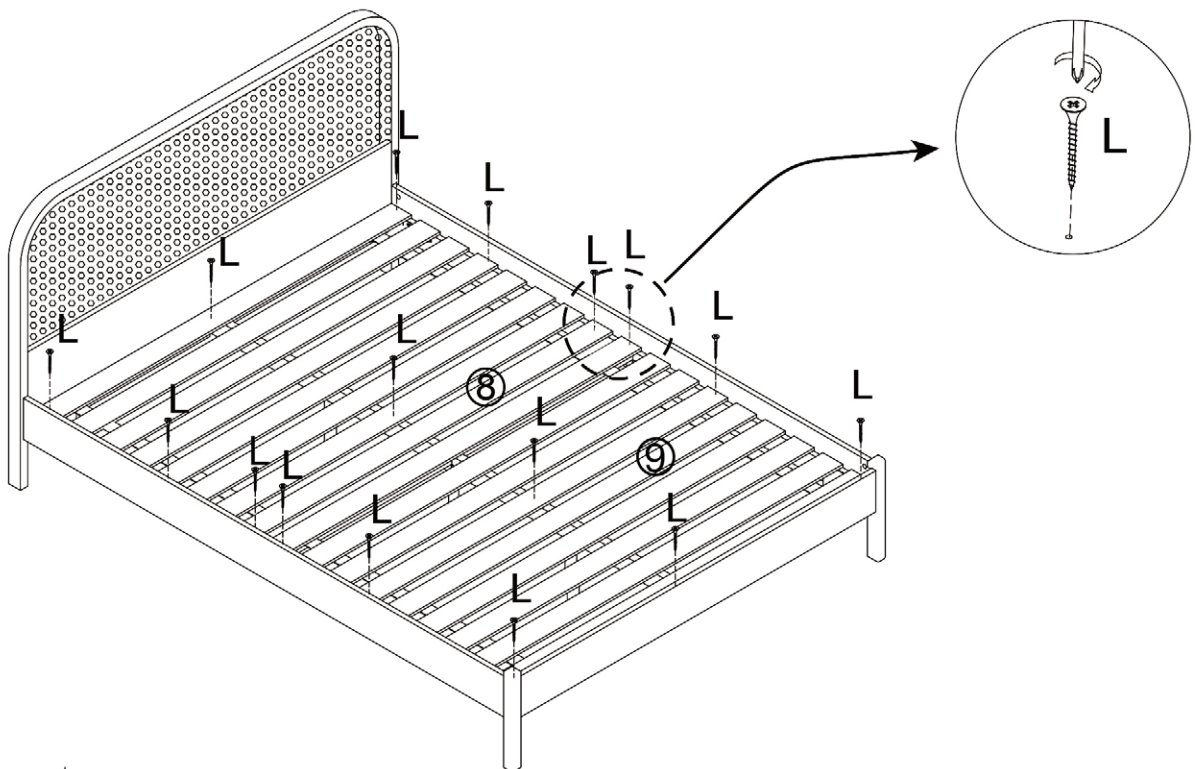
No. M
Quantity: 1Pc
Allen Key (M6)



No. J
Quantity: 2Pcs
Corner connector



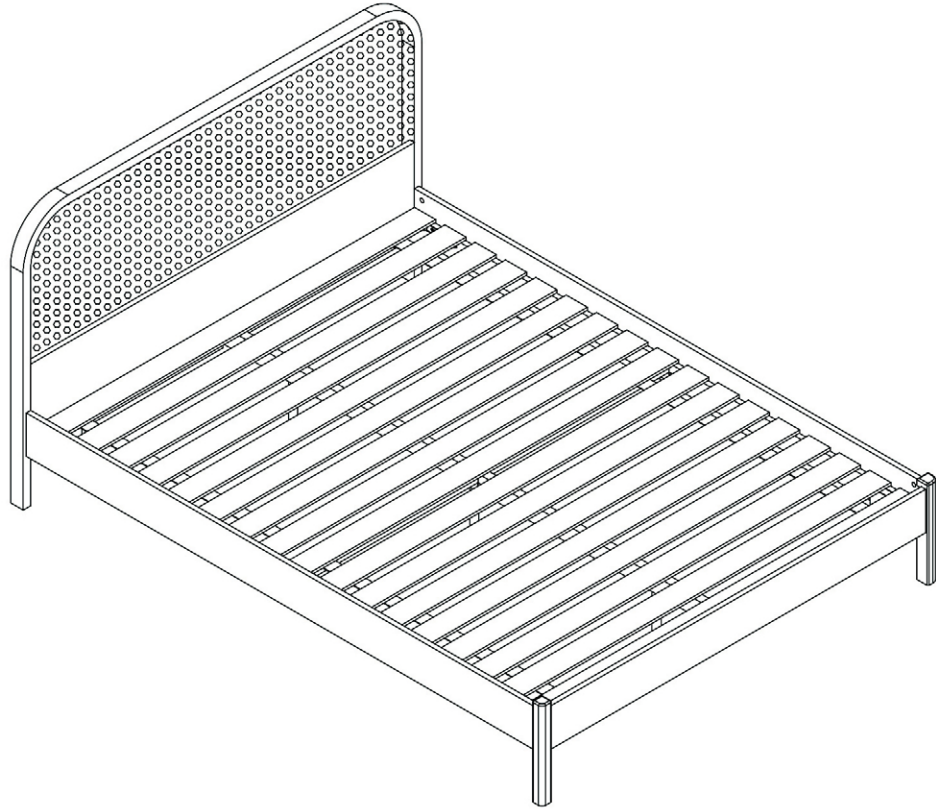
STEP 10



No. L
Quantity: 16Pcs
Screw 2*24mm



STEP 11



lifely.com.au

Great job. You're done!

Don't forget to share how it looks in
your space and tag us on Instagram.
[@lifelyhome](https://www.instagram.com/lifelyhome)#homewithlifely!