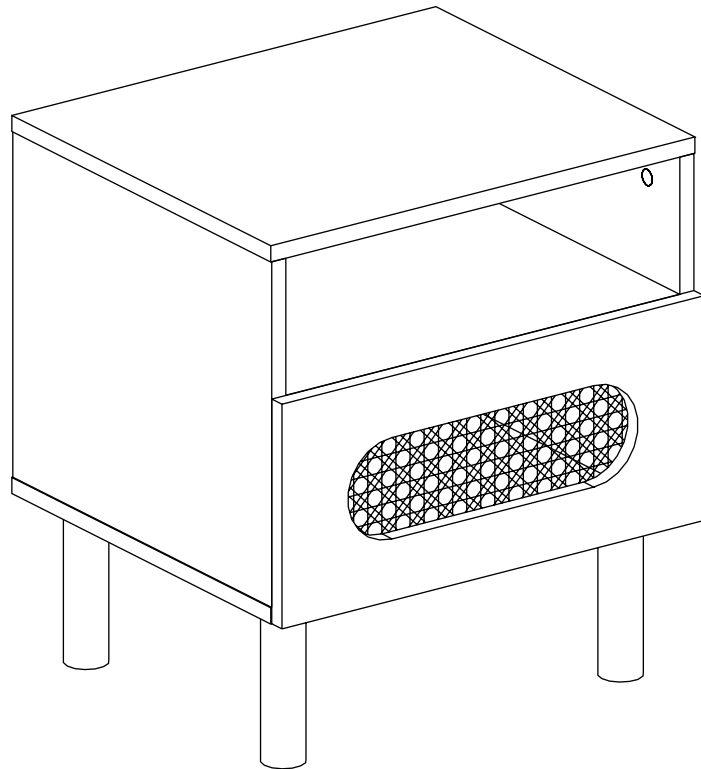


\*Please Keep For Future Reference Only.

# **KONA SERIES ASSEMBLY INSTRUCTION**



**Kona Bedside Table-Maple**

**Kona Bedside Table-White**

Dimensions: W450xD400xH500MM

IMPORTANT:-  
PLEASE READ THESE INSTRUCTION CAREFULLY BEFORE STARTING ASSEMBLY.

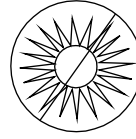
### IMPORTANT TIPS AND MAINTENANCE



i) Keep children and animal away to avoid choking hazard.



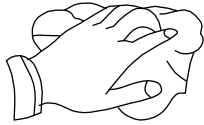
ii) Never put the liquid on the furniture.



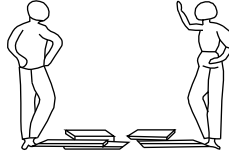
iii) To avoid dulling, do not place directly to the sunlight.



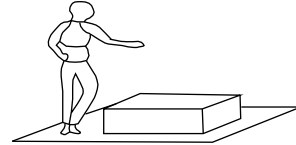
iv) Never use ammonia cleaning product, because it will damage the finish.



v) Use a dry cloth to wipe clean the surface.




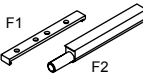



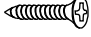

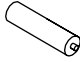
vi) Two person required.

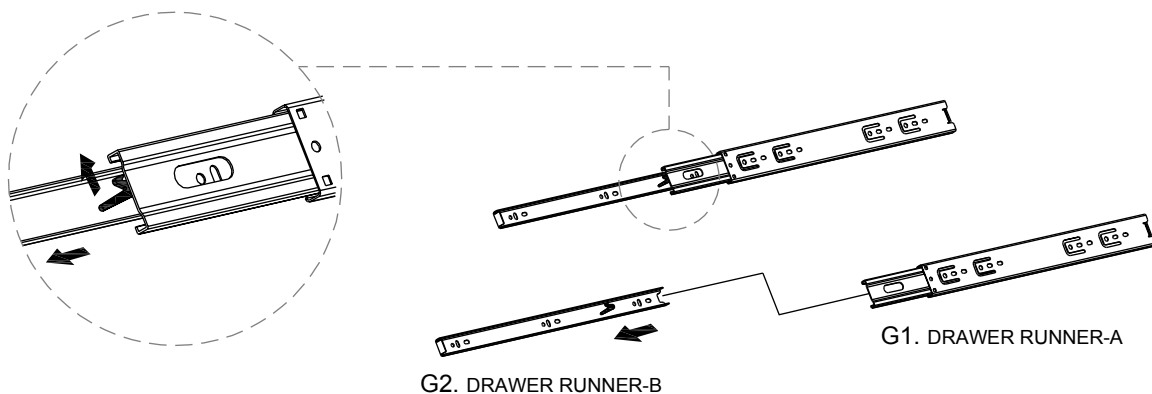


vii) Put a soft mat on the floor to protect the furniture before assembly.

#### COMPONENTS:- HARDWARE

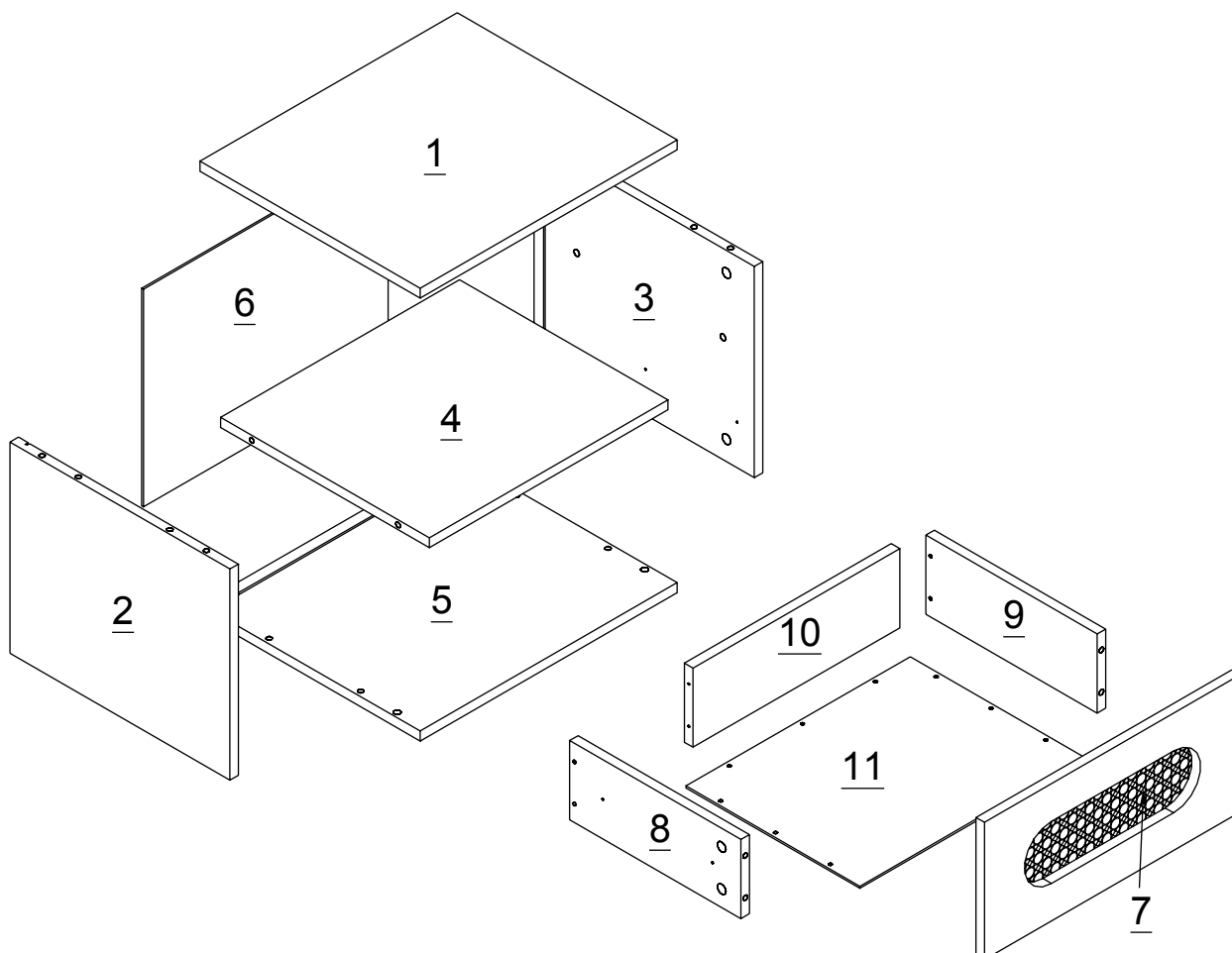
Please check you have all the fittings part or tools are listed in below.

NO.	FITTINGS/TOOLS	QTY	NO.	FITTINGS/TOOLS	QTY
A.	 DOWEL 8x40MM	8 Pcs	F.	 F1 F2 F3	1 Sets
B.	 CAMBOLT+CAMNUT	16 Sets	G.	 DRAWER RUNNER-A&B	2 Pcs
C.	 SCREW M3.5x14MM	36 Pcs	H.	 SCREW M3.5x35MM	4 Pcs
D.	 	4 Pcs			
E.	 	4 Pcs			



COMPONENTS:-  
PANELS



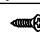

Please check you have all the panels are listed below.

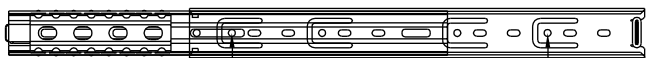
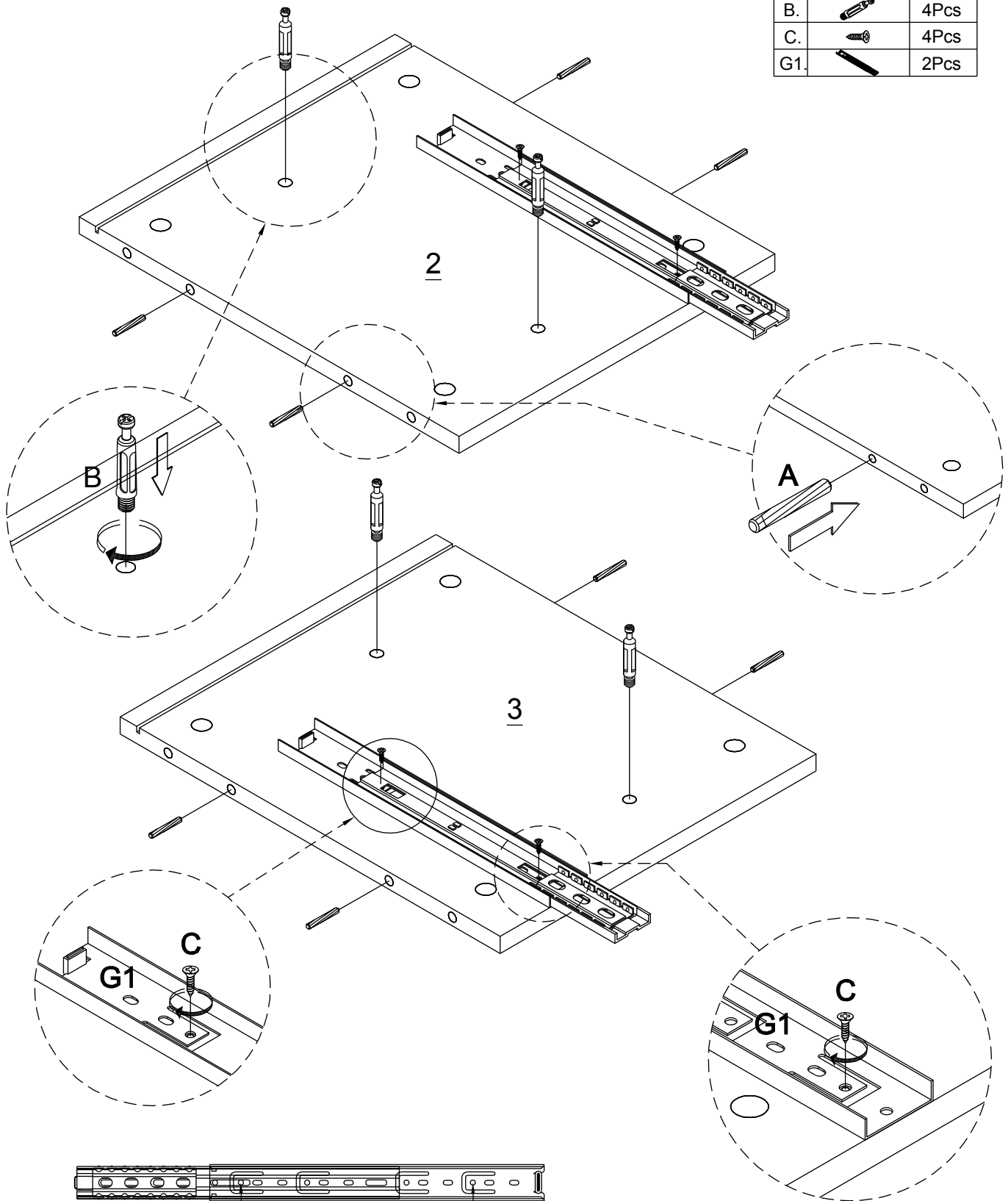


## PARTLIST

1	TOP PANEL	1pc	7	DRAWER FACE	1pc
2	SIDE PANEL-LEFT	1pc	8	DRAWER SIDE - LEFT	1pc
3	SIDE PANEL-RIGHT	1pc	9	DRAWER SIDE - RIGHT	1pc
4	CORSS SHELF	1pc	10	DRAWER END	1pc
5	BOTTOM PANEL	1pc	11	DRAWER BOTTOM	1pc
6	BACK PANEL	1pc			

# STEP1

HARDWARE NEEDED:		
A.		8Pcs
B.		4Pcs
C.		4Pcs
G1.		2Pcs



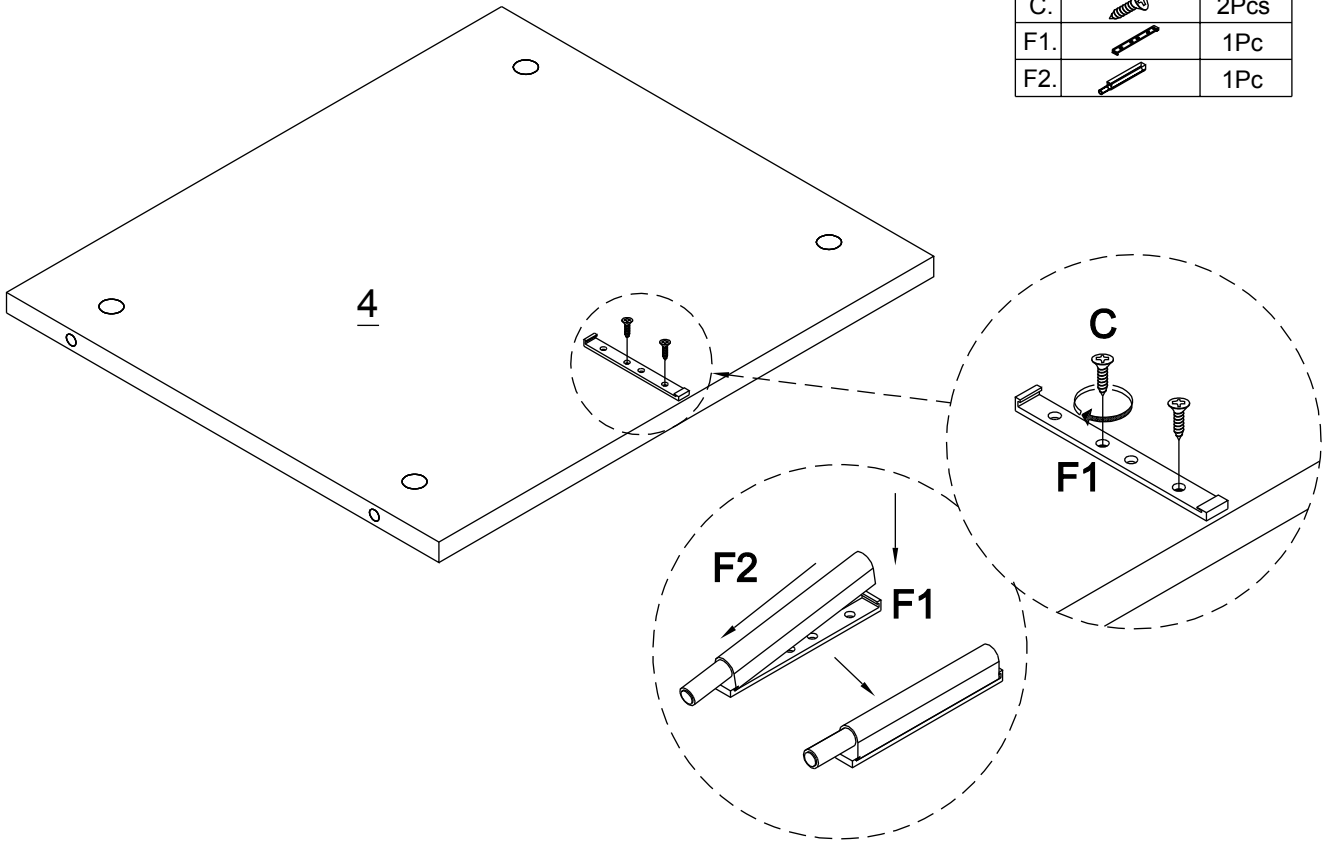
Second Hole

Last Third Hole


SCREW MUST BE INSERTED  
IN THE SECOND HOLE ON THE  
DRAWER RUNNER

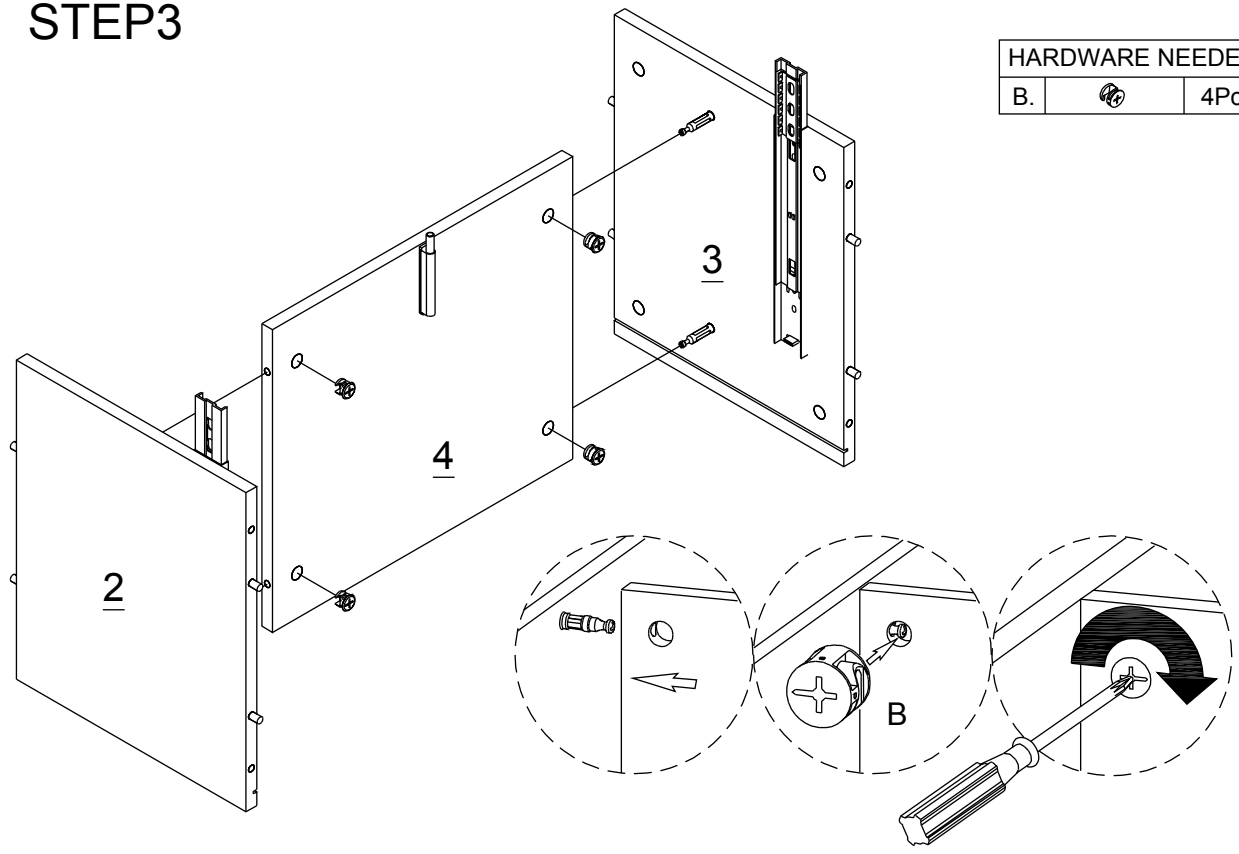
# STEP2

HARDWARE NEEDED:		
C.		2Pcs
F1.		1Pc
F2.		1Pc






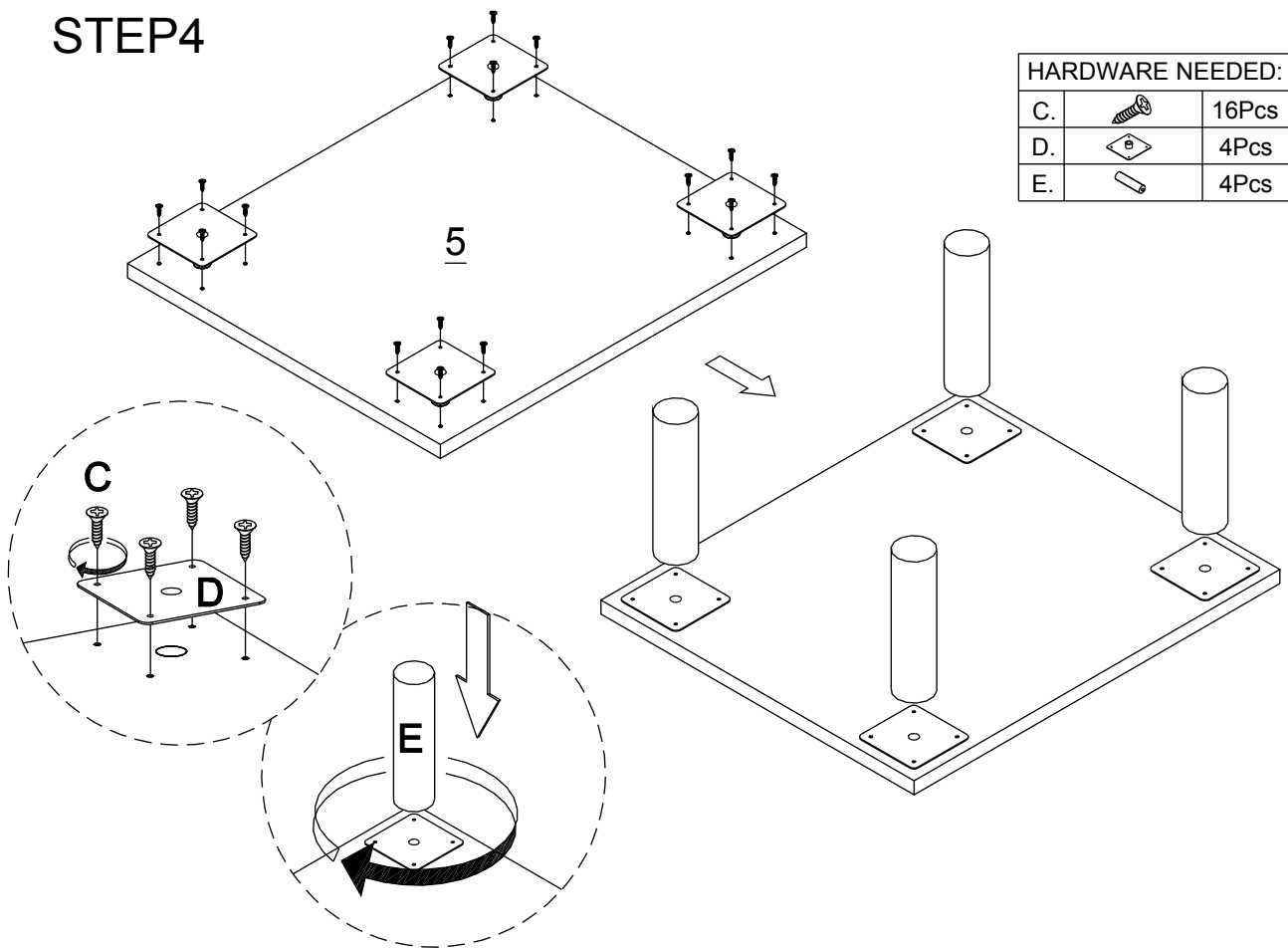
# STEP3

HARDWARE NEEDED:		
B.		4Pcs



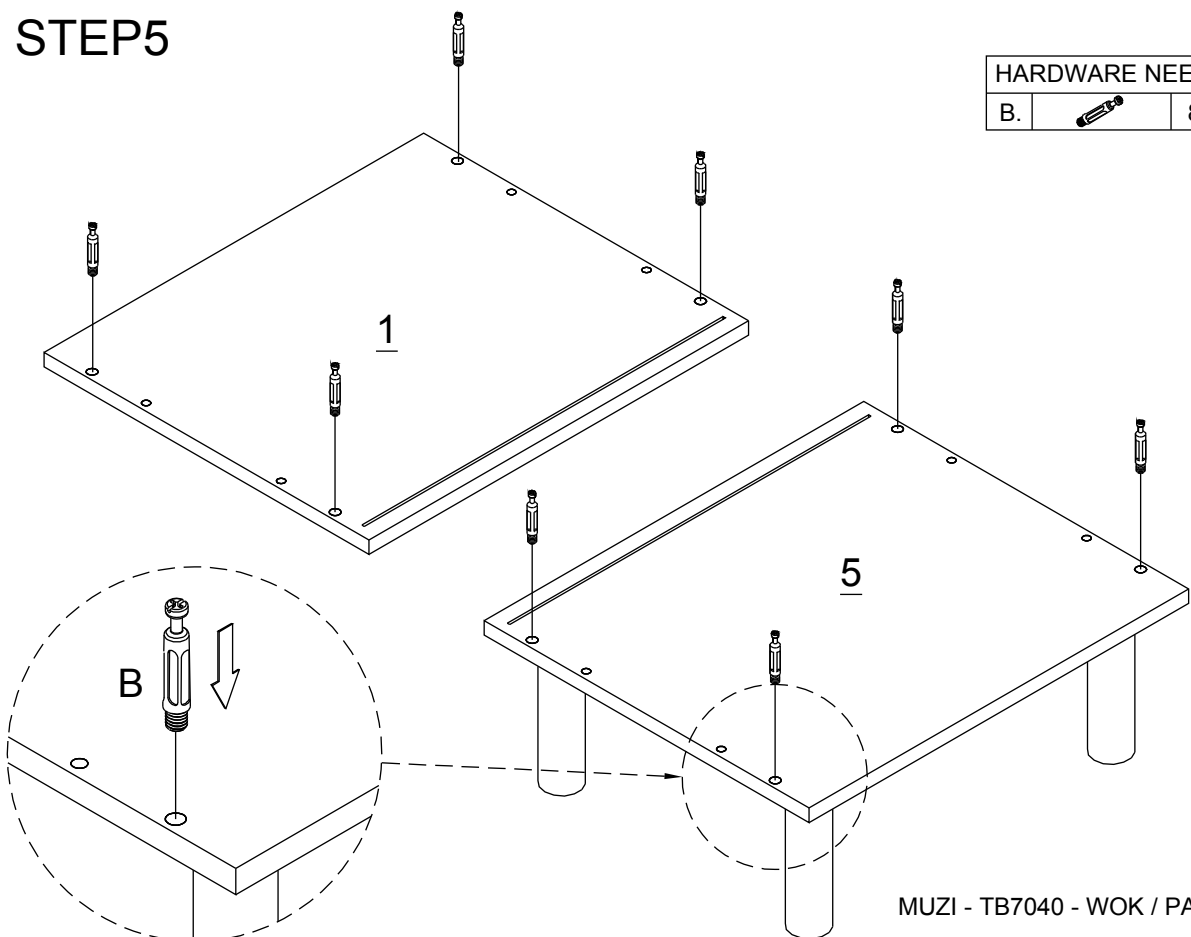
# STEP4

HARDWARE NEEDED:		
C.		16Pcs
D.		4Pcs
E.		4Pcs

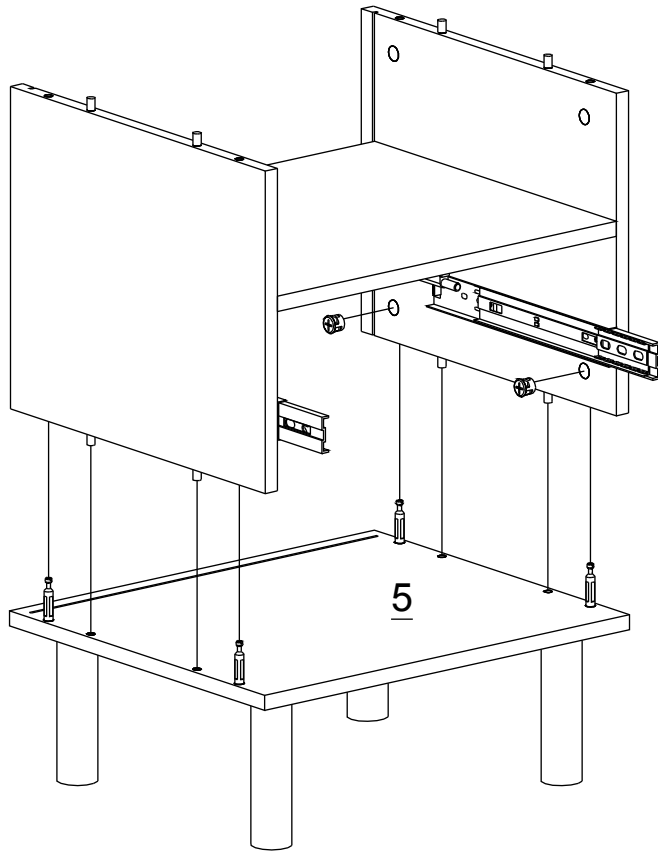


# STEP5

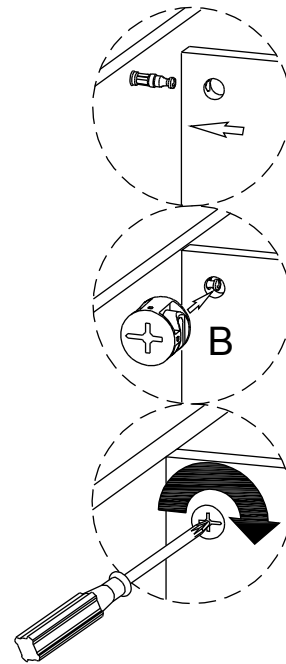
HARDWARE NEEDED:		
B.		8Pcs



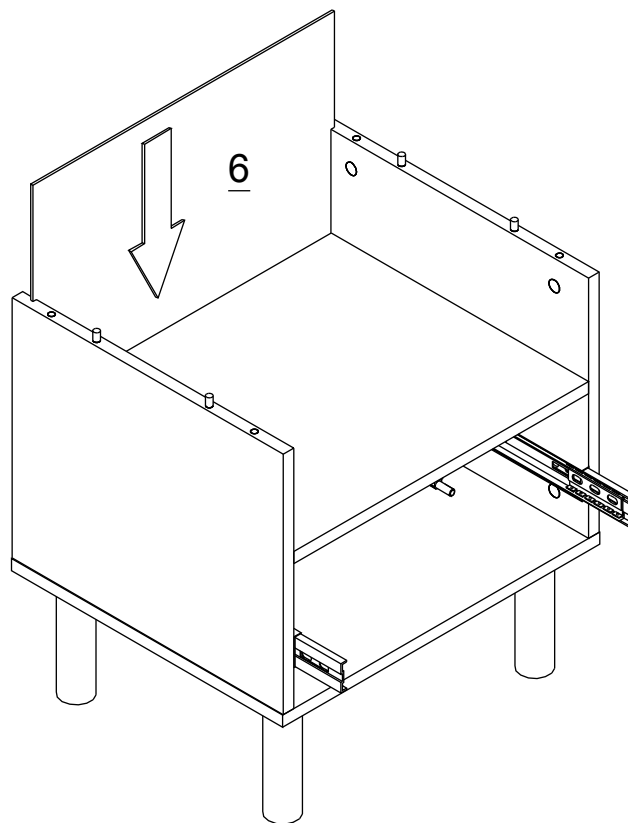
# STEP6



HARDWARE NEEDED:		
B.		4Pcs

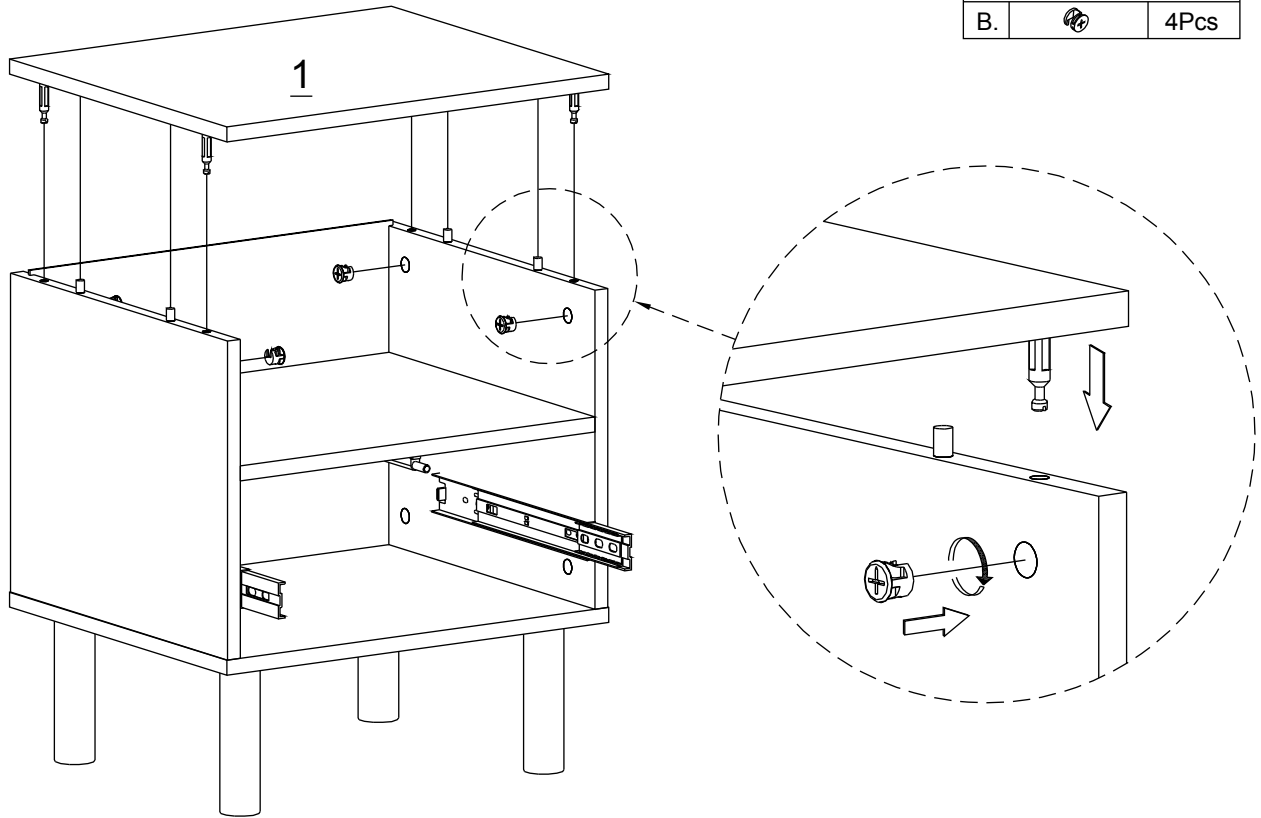


# STEP7





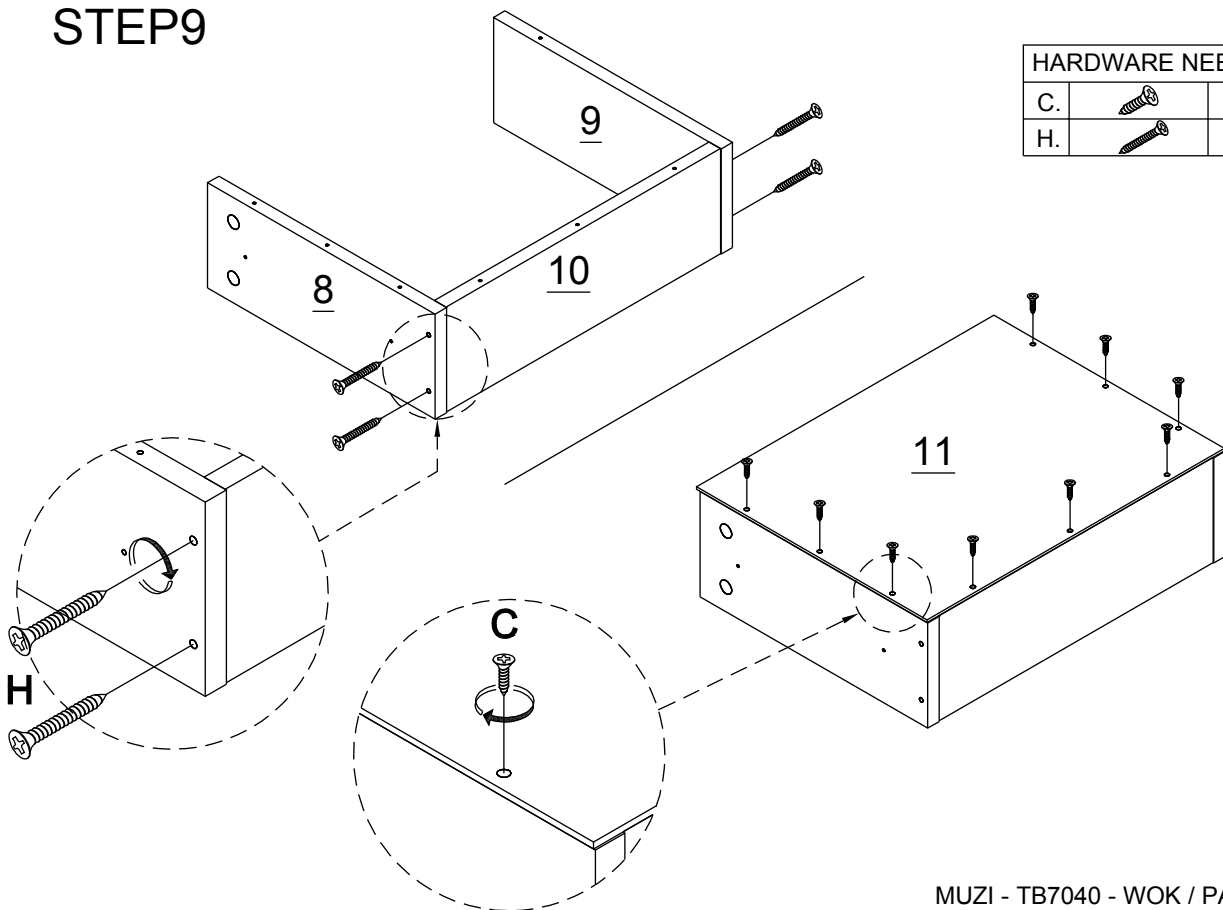
# STEP 8

HARDWARE NEEDED:		
B.		4Pcs



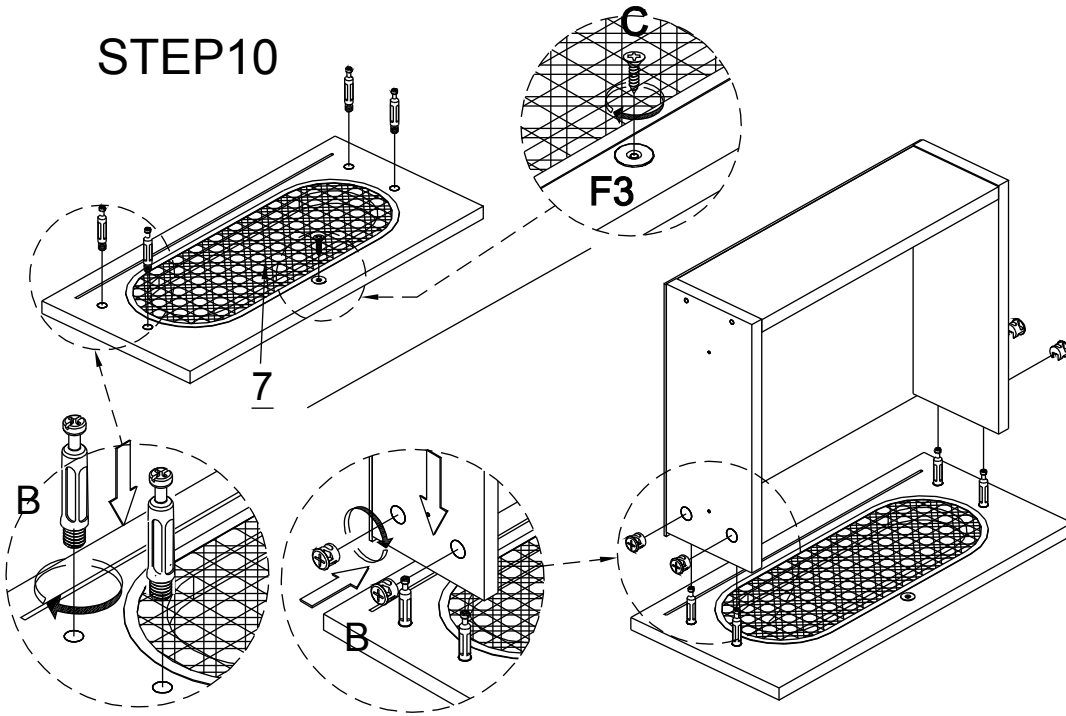
# STEP 9

HARDWARE NEEDED:		
C.		9Pcs
H.		4Pcs





# STEP10



HARDWARE NEEDED:		
B.		4Sets
C.		5Pcs
F3.		1Pc
G2.		2Pcs

