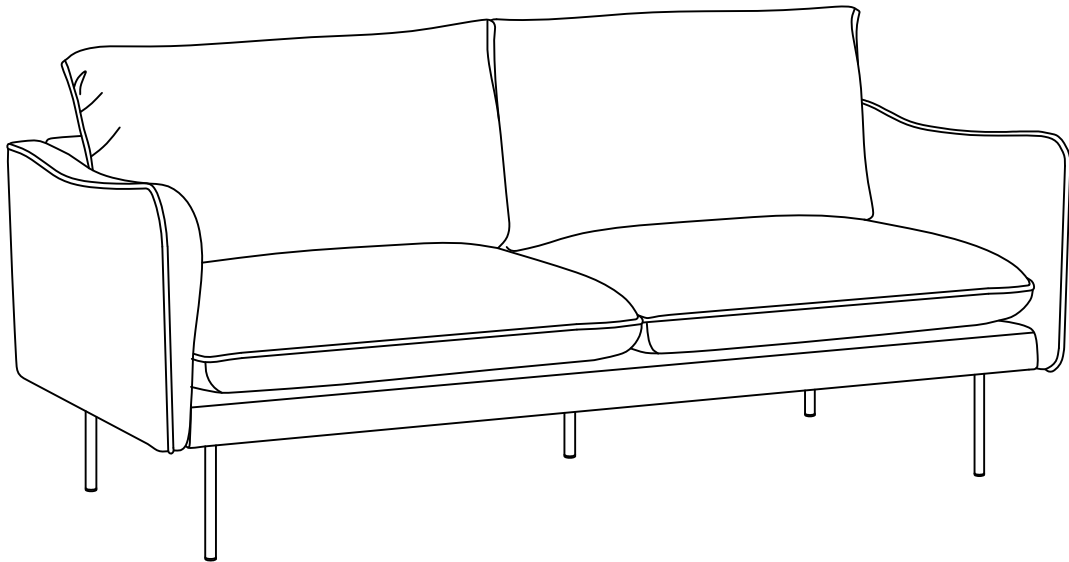


Assembly Instructions

Jasper Series



Lifely*

Product Code
JSP-SOFA-3S-CWHT Jasper 3 Seater Sofa

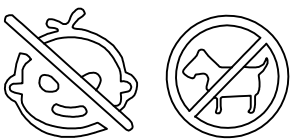
Dimensions(W x D x H)
1980x850x900mm

Important

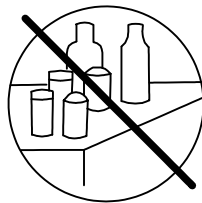
Please read through instruction carefully
Before assembly and keep for future reference.

For our full catalogue of assembly instructions,
Visit: lifely.com.au/assembly

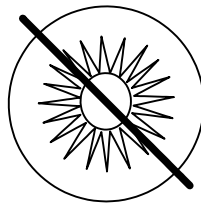
Important Tips and Maintenance



1. Keep children and animals away from working area as smaller parts may cause choking if swallowed.



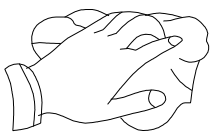
2. Never place liquids or anything damp upon furniture as it will mark. Ensure a coaster or running is beneath.



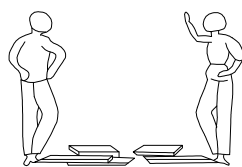
3. Never use ammonia based cleaning products as it will damage the finish.



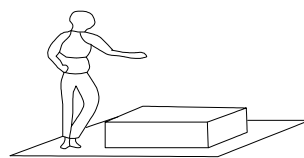
4. To avoid fading, keep furniture out of direct sunlight.



5. Use a soft or damp cloth (dry cloth) when wiping or cleaning surfaces.



6. Two person are required.



7. Lay a soft matt down to protect the furniture piece before and during assembly.

So your relationship is strong. But is it flat-pack furniture strong? Unless you're an aerospace engineer, assembling furniture can be slightly stressful. We recommend meditating quietly, pouring yourself a herbal tea (or slightly less herbal wine) and tackling things one step at a time. If you feel a passive aggressive remark coming on, try a compliment instead. E.g. "You're so good looking."

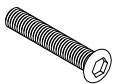
This 6-step assembly should take around 30 minutes with an Allen key-or 20 minutes with an electric drill. Godspeed.

Designed for everyday

Component Hardware

Please check you have all the fittings
part or tools are listed in below.

No. A
Quantity: 6 Pcs
Screw
M8x60mm



No. B
Quantity: 16 Pcs
Screw
M8x25mm



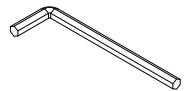
No. C
Quantity: 6 Pcs
Spring Washer
M8



No. D
Quantity: 6 Pcs
Washer
M8x20mm



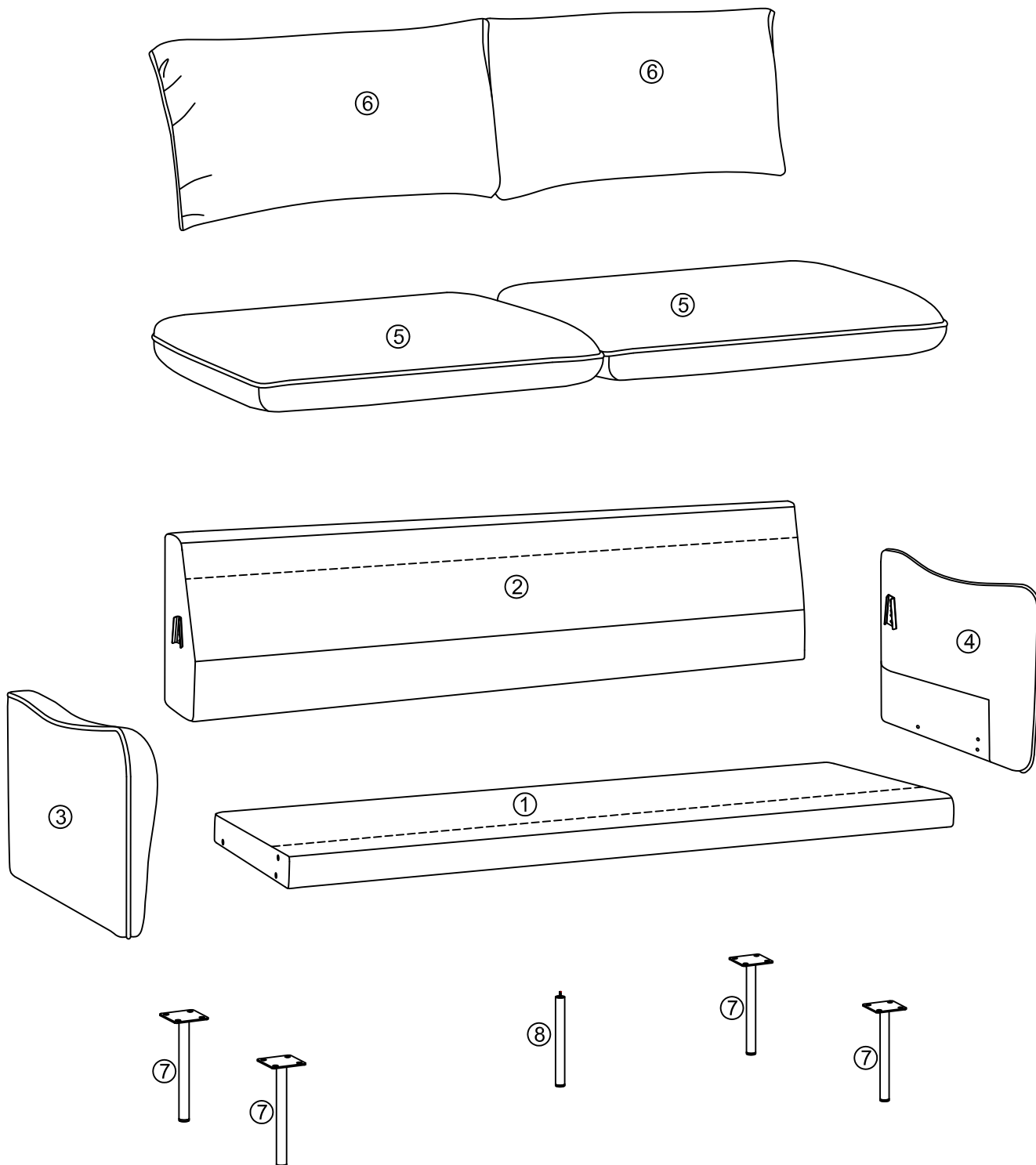
No. E
Quantity: 1 Pc
Allen Key
M5



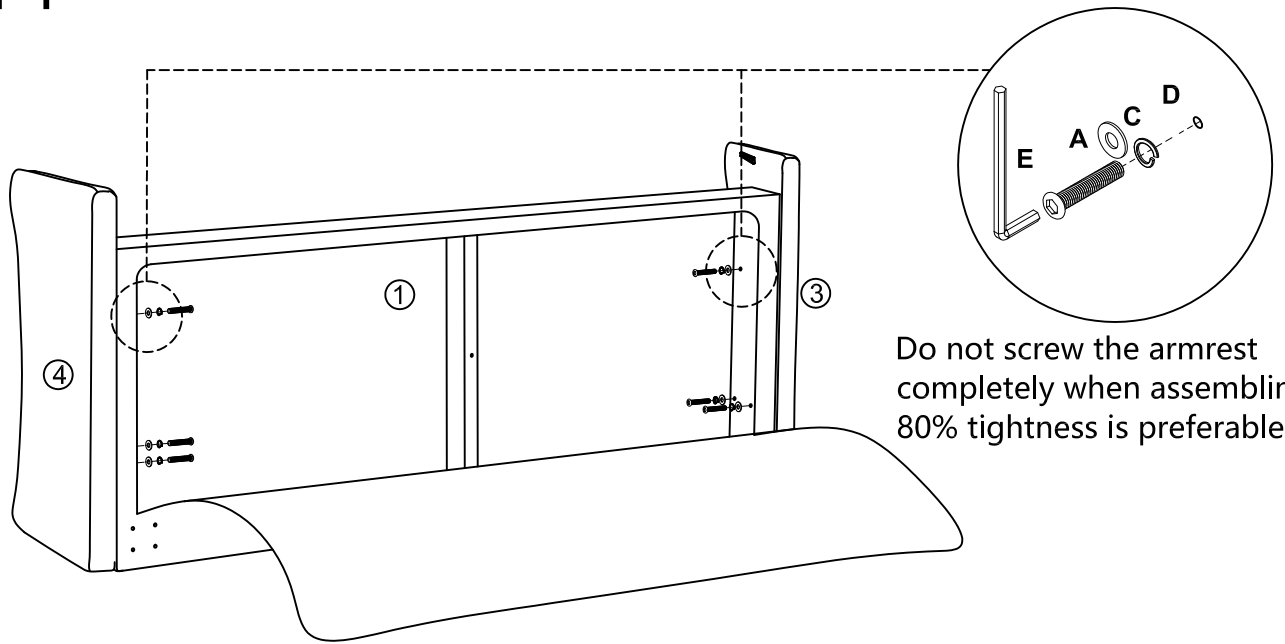
Component Panels & Part List

Please check you have all the panels are listed below.

1. Seat frame.....x1	CTN 1/2	2. Back frame.....x1	CTN 2/2
5.Seat cushion.....x2	CTN 1/2	3. Arm- L.....x1	CTN 2/2
7. Leg.....x4	CTN 1/2	4. Arm-R.....x1	CTN 2/2
8. Leg-central.....x1	CTN 1/2	6. Back cushion.....x2	CTN 2/2

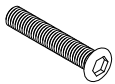


STEP 1



Do not screw the armrest completely when assembling, 80% tightness is preferable.

No. A
Quantity: 6 Pcs
Screw
M8x60mm



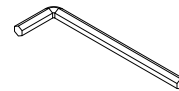
No. C
Quantity: 6 Pcs
Spring Washer
M8



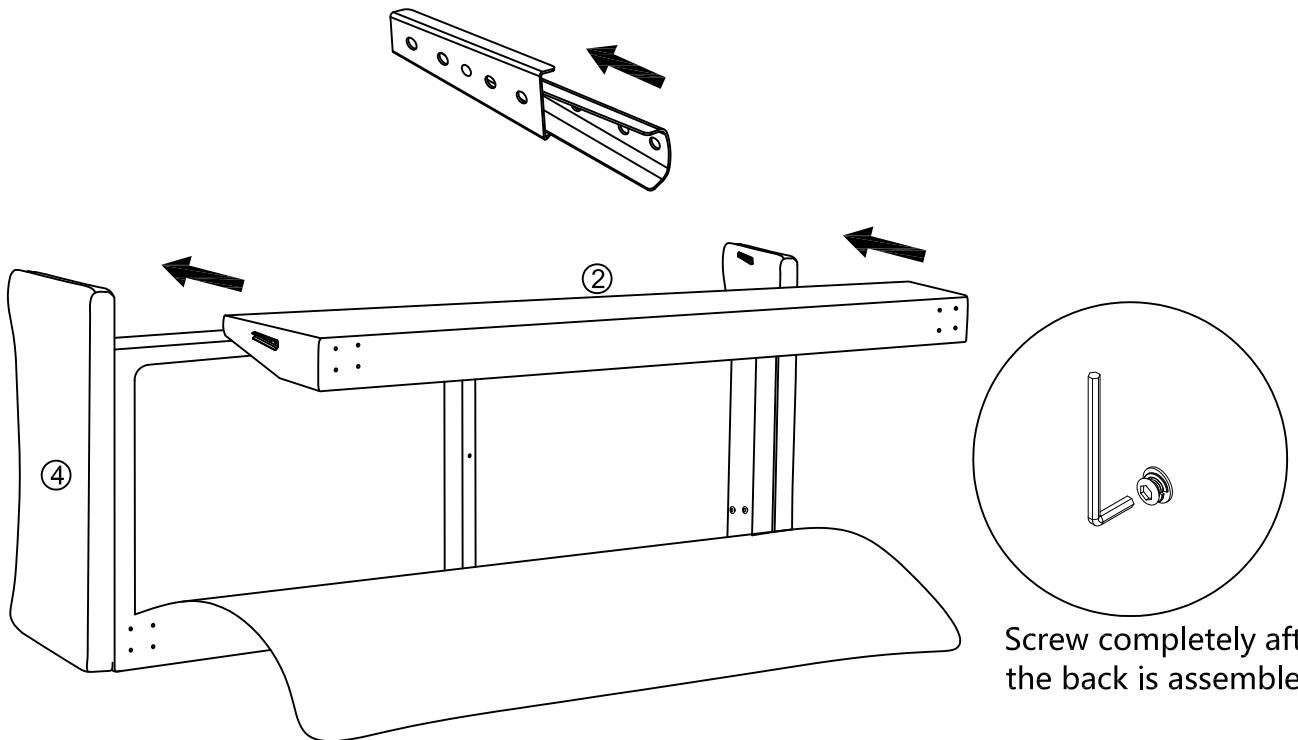
No. D
Quantity: 6 Pcs
Washer
M8x20mm



No. E
Quantity: 1 Pc
Allen Key
M5

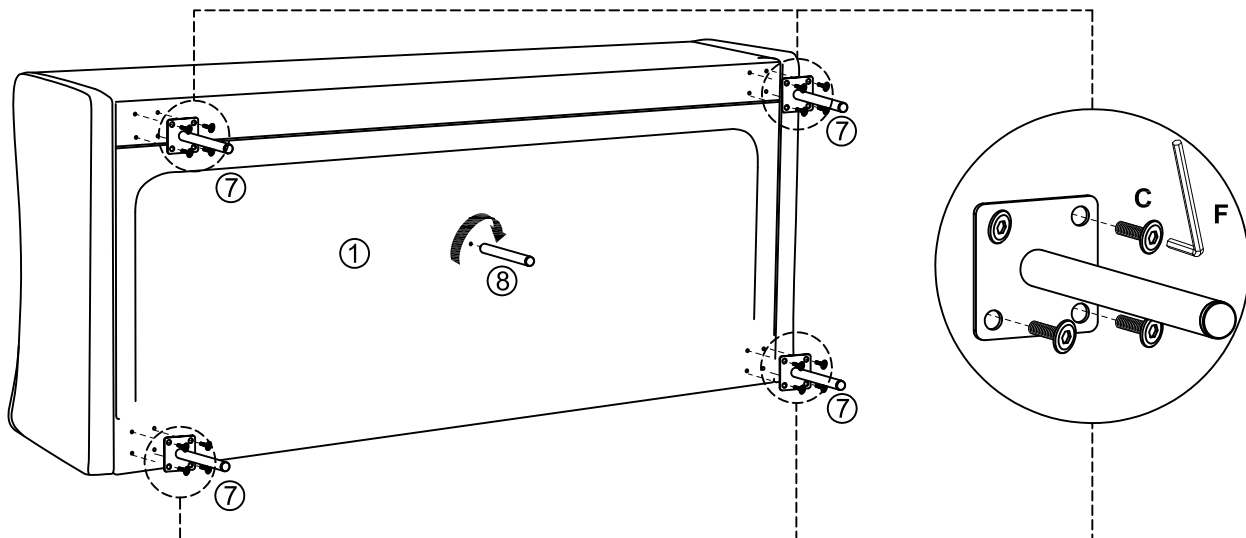


STEP 2



Screw completely after the back is assembled.

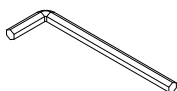
STEP 3



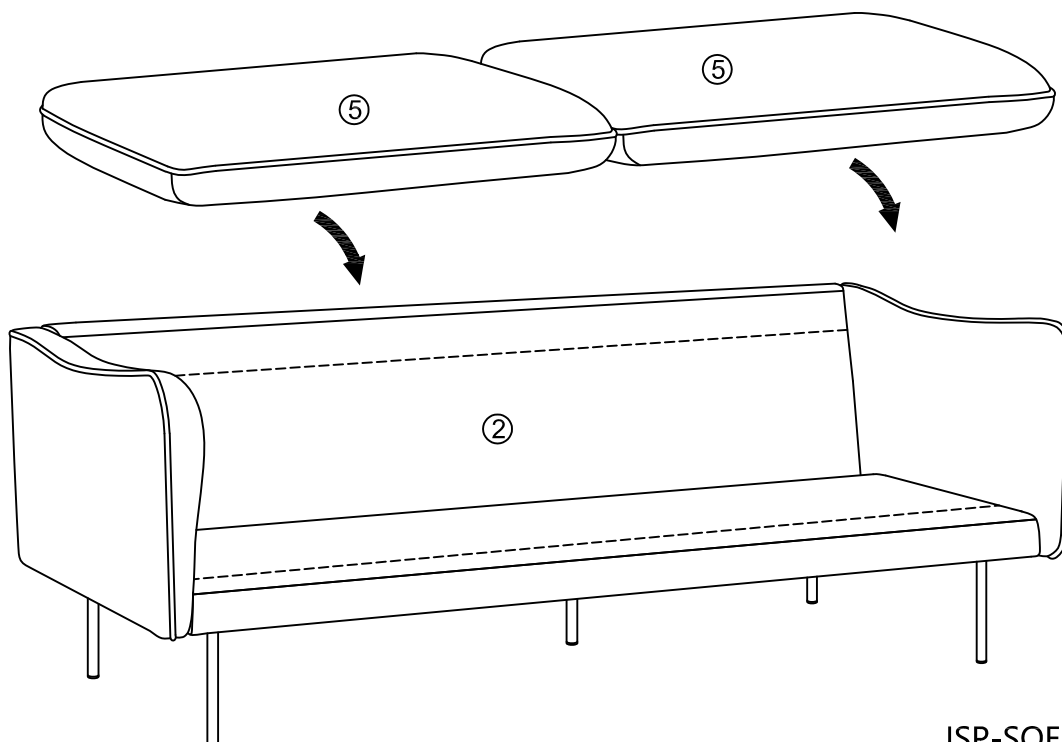
No. B
Quantity: 16 Pcs
Screw
M8x25mm



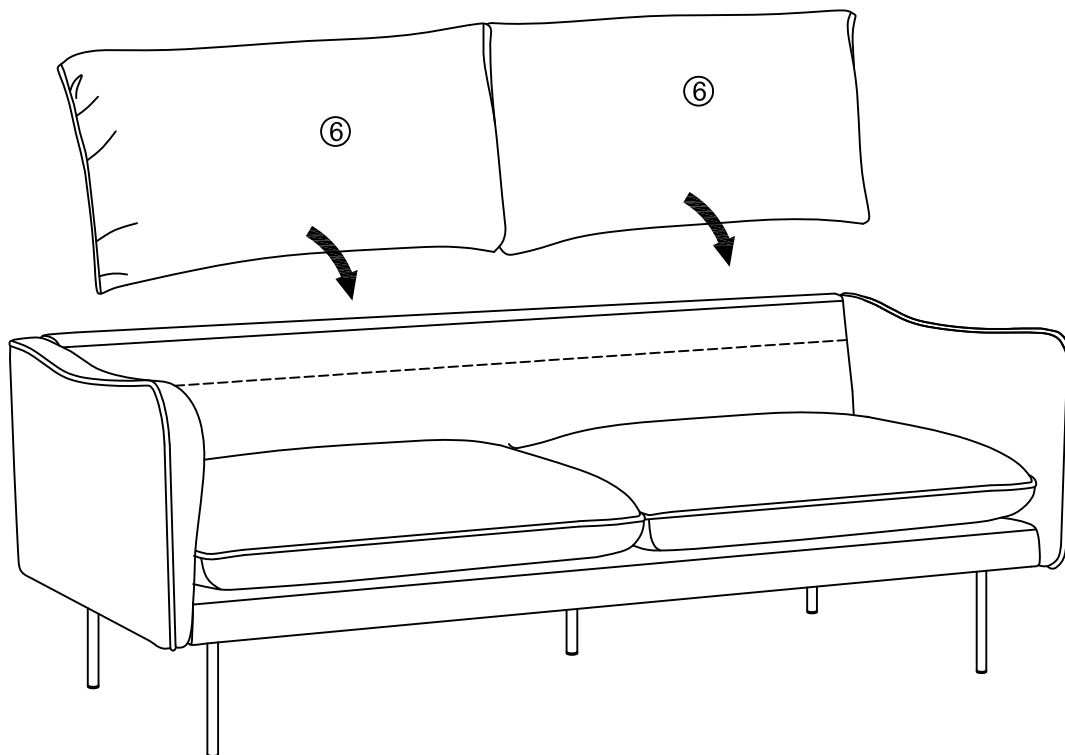
No. E
Quantity: 1 Pc
Allen Key
M5



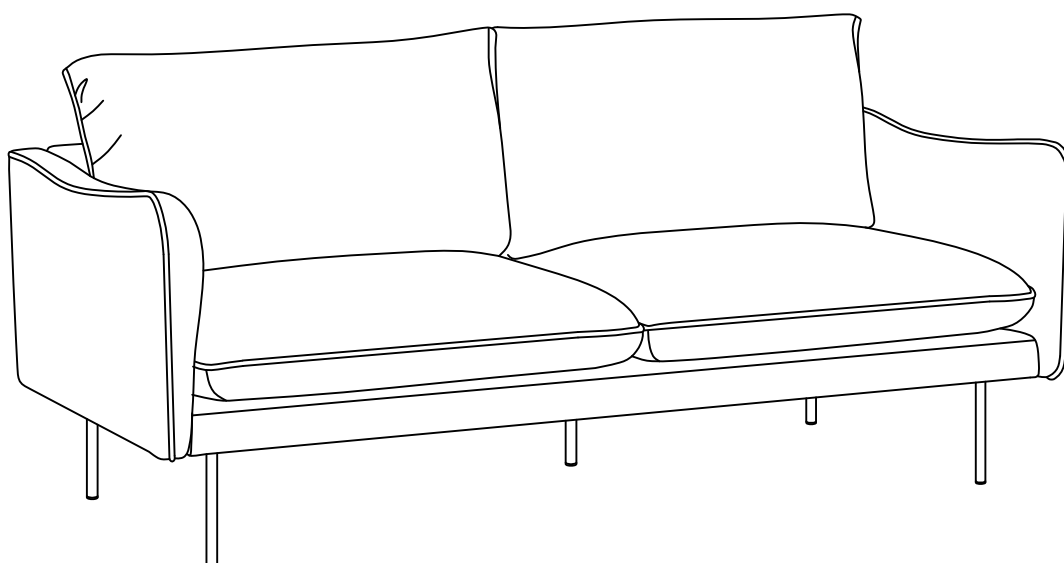
STEP 4



STEP 5



STEP 6



lifely.com.au

Great job. You're done!

Don't forget to share how it looks in
your space and tag us on Instagram.
[@lifelyhome](#) [#homewithlifely!](#)