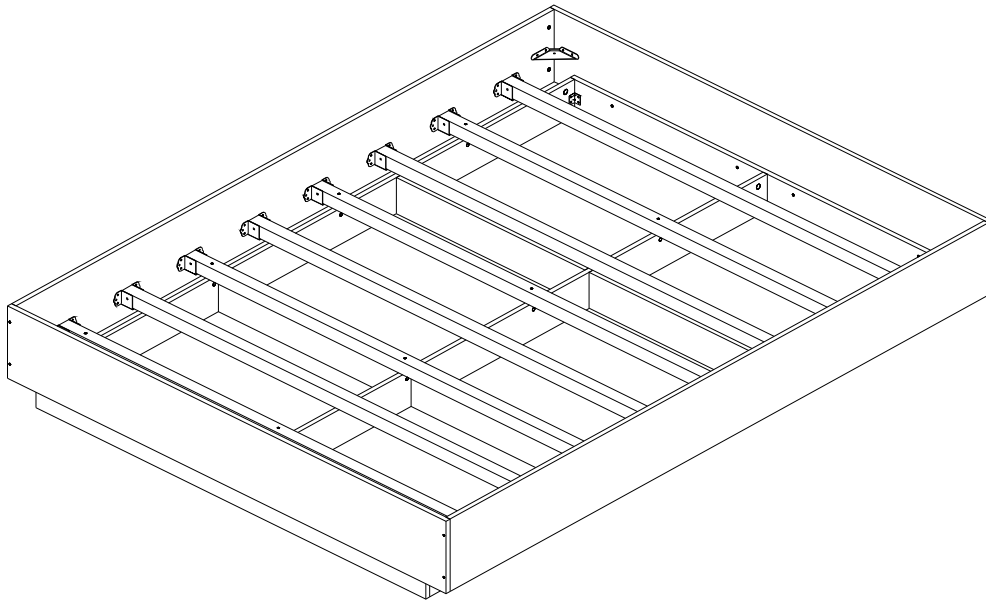


*Please Keep For Future Reference Only.

CUPPA SERIES ASSEMBLY INSTRUCTION



Dimensions

Width:1870mm

Depth:2070mm

Height:890/280mm

CUPPA KING SINGEL BED

IMPORTANT:-
PLEASE READ THESE INSTRUCTION CAREFULLY BEFORE STARTING ASSEMBLY.

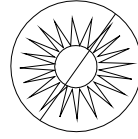
IMPORTANT TIPS AND MAINTENANCE



i) Keep children and animal away to avoid choking hazard.



ii) Never put the liquid on the furniture.



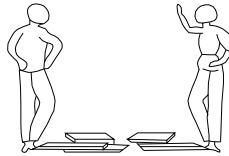
iii) To avoid dulling, do not place directly to the sunlight.



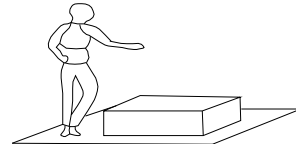
iv) Never use ammonia cleaning product, because it will damage the finish.



v) Use a dry cloth to wipe clean the surface.










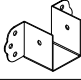

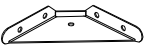

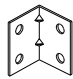
vi) Two person required.



vii) Put a soft mat on the floor to protect the furniture before assembly.

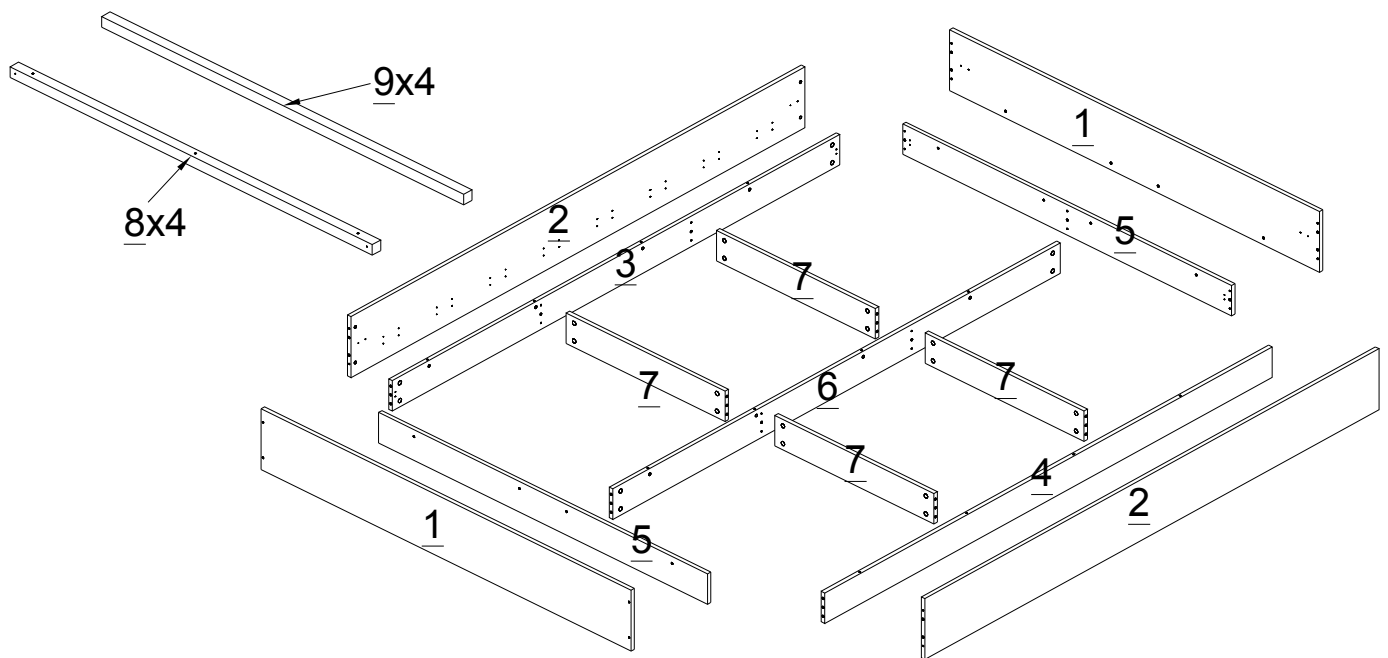
COMPONENTS:- HARDWARE

Please check you have all the fittings part or tools are listed in below.

NO.	FITTINGS/TOOLS	QTY	NO.	FITTINGS/TOOLS	QTY
A.	 DOWEL 8x40MM	18 Pcs	G.	 DOWEL 8x60MM	2 Pcs
B.	 CAMBOLT	20 Pcs	H.	 CAMBOLT	8 Pcs
C.	 SCREW M3.5x14MM	112 Pcs	I.	 CAMNUT	28 Pcs
D.	 SCREW M5x50MM	20 Pcs	J.	 Bracket	16 Pcs
E.	 Bracket	20 Pcs	K.	 Bracket	4 Pcs
F.	 SCREW M6x25MM	8 Pcs	L.	 Bracket	4 Pcs

COMPONENTS:-
PANELS

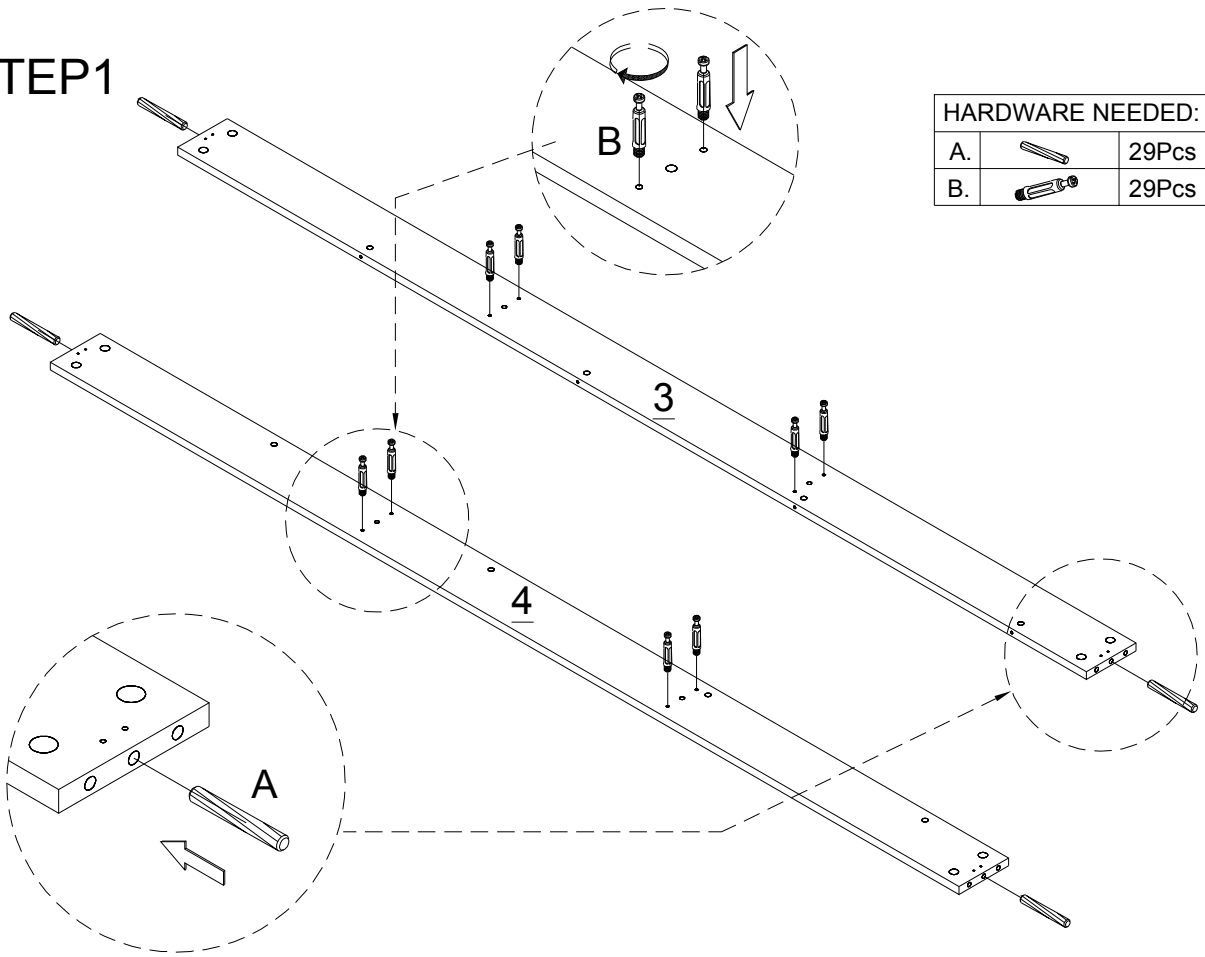
Please check you have all the panels are listed below.





PARTLIST

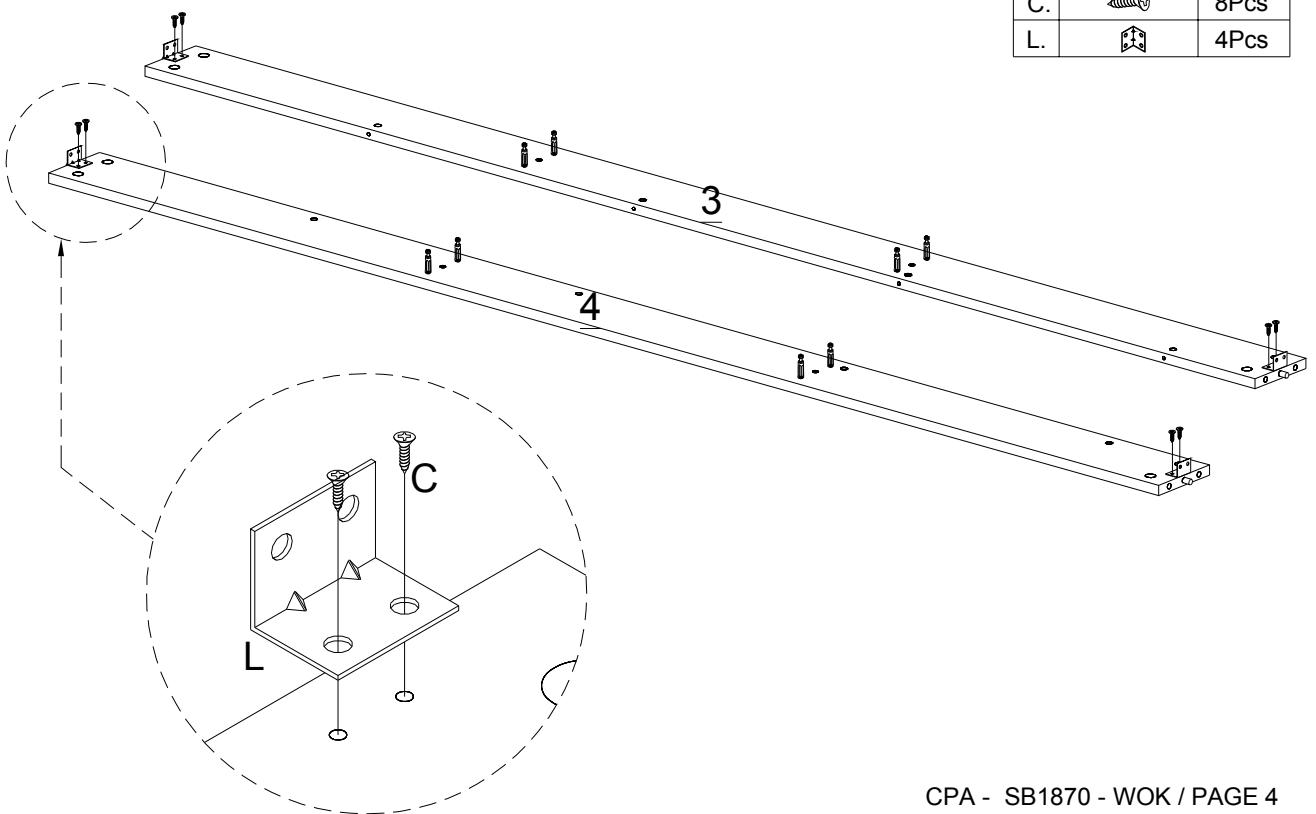
1	HEAD BOARD	2pcs	8	BED SLATS-1	4pcs
2	BED SIDE PANEL	2pcs	9	BED SLATS-2	4pcs
3	BASE	1pc			
4	BASE-1	1pc			
5	BASE SUPPORT-1	2pcs			
6	BASE SUPPORT-2	1pc			
7	BOTTOM PANEL	4pcs			



STEP1



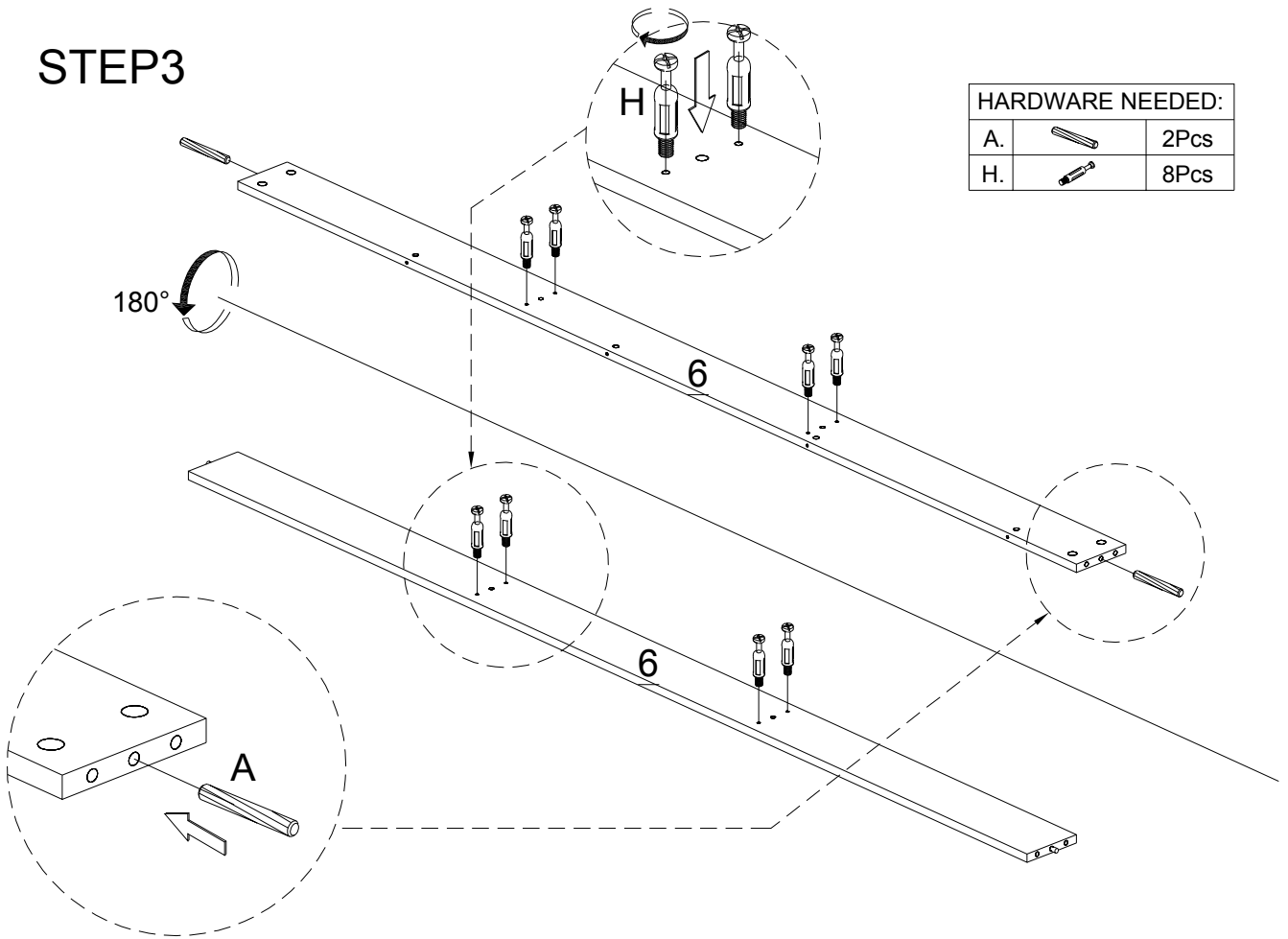
HARDWARE NEEDED:		
A.		29Pcs
B.		29Pcs



STEP2



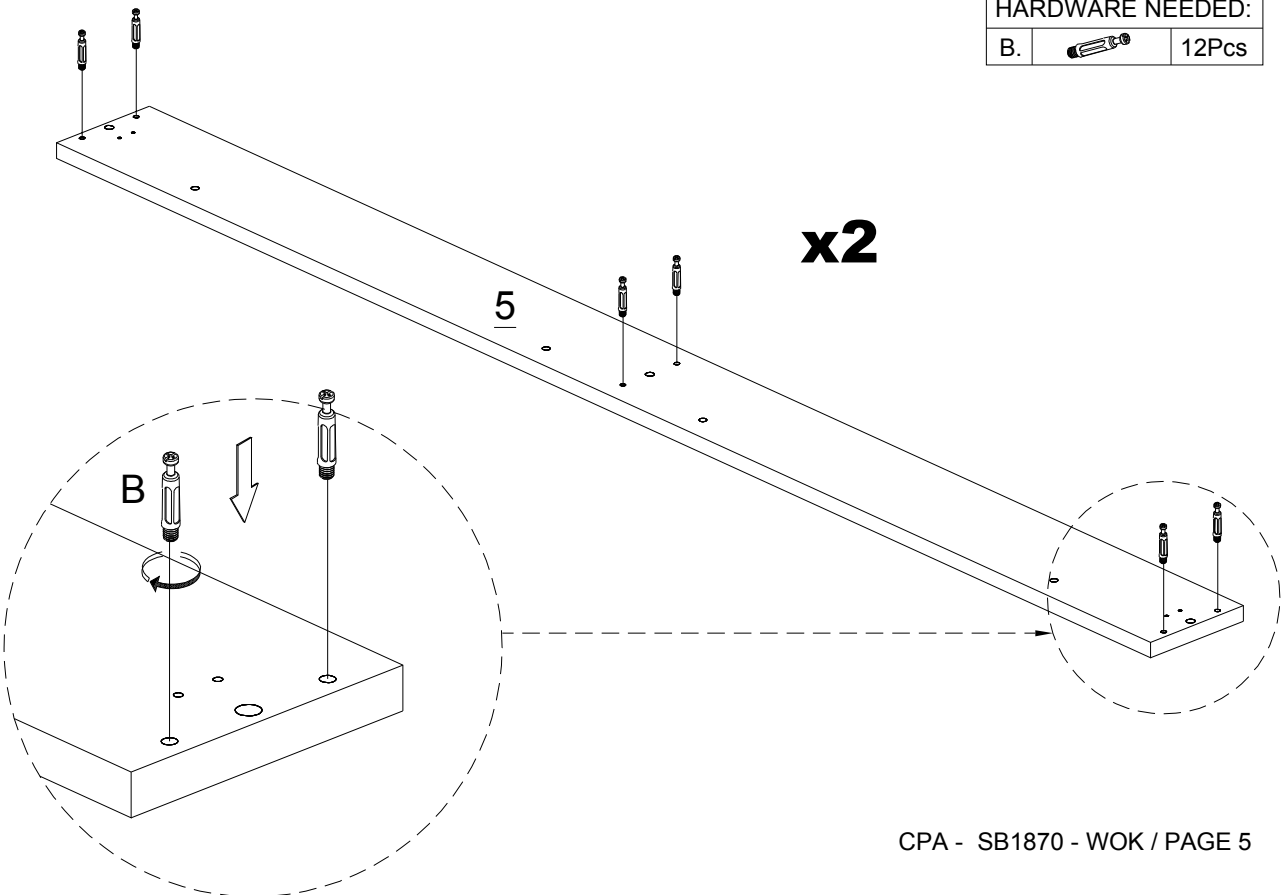
HARDWARE NEEDED:		
C.		8Pcs
L.		4Pcs

STEP3



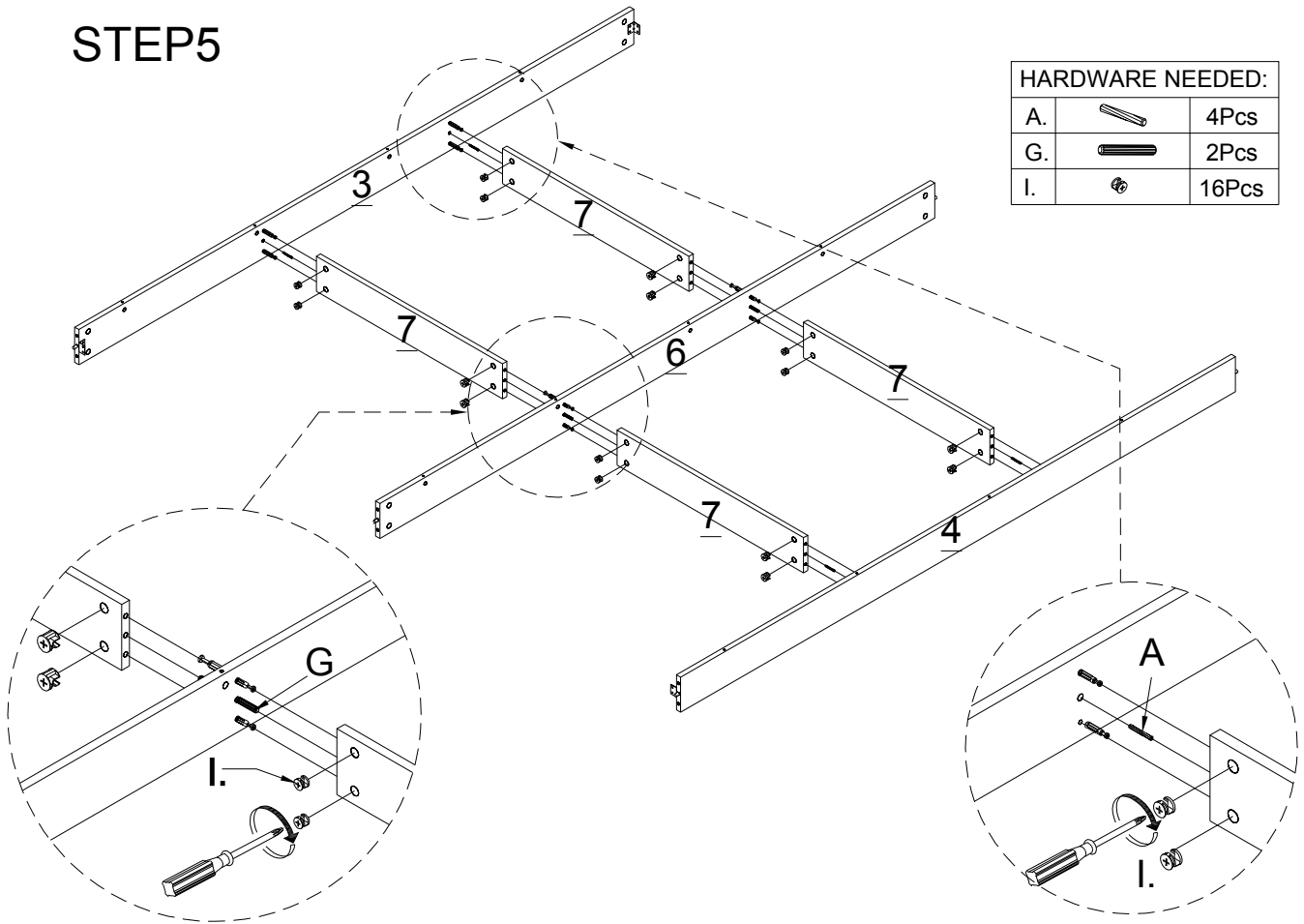
HARDWARE NEEDED:		
A.		2Pcs
H.		8Pcs




STEP4



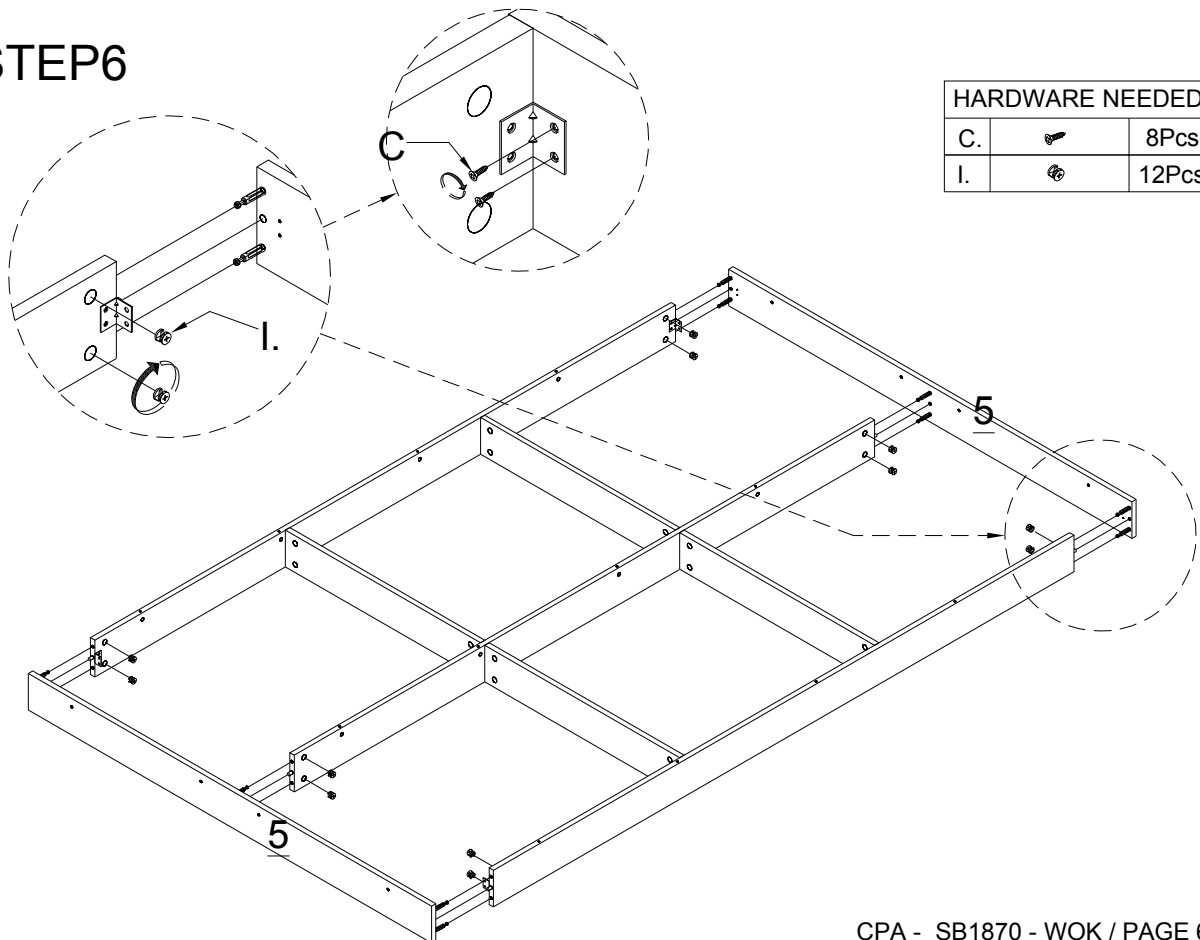
HARDWARE NEEDED:		
B.		12Pcs



STEP5






HARDWARE NEEDED:		
A.		4Pcs
G.		2Pcs
I.		16Pcs

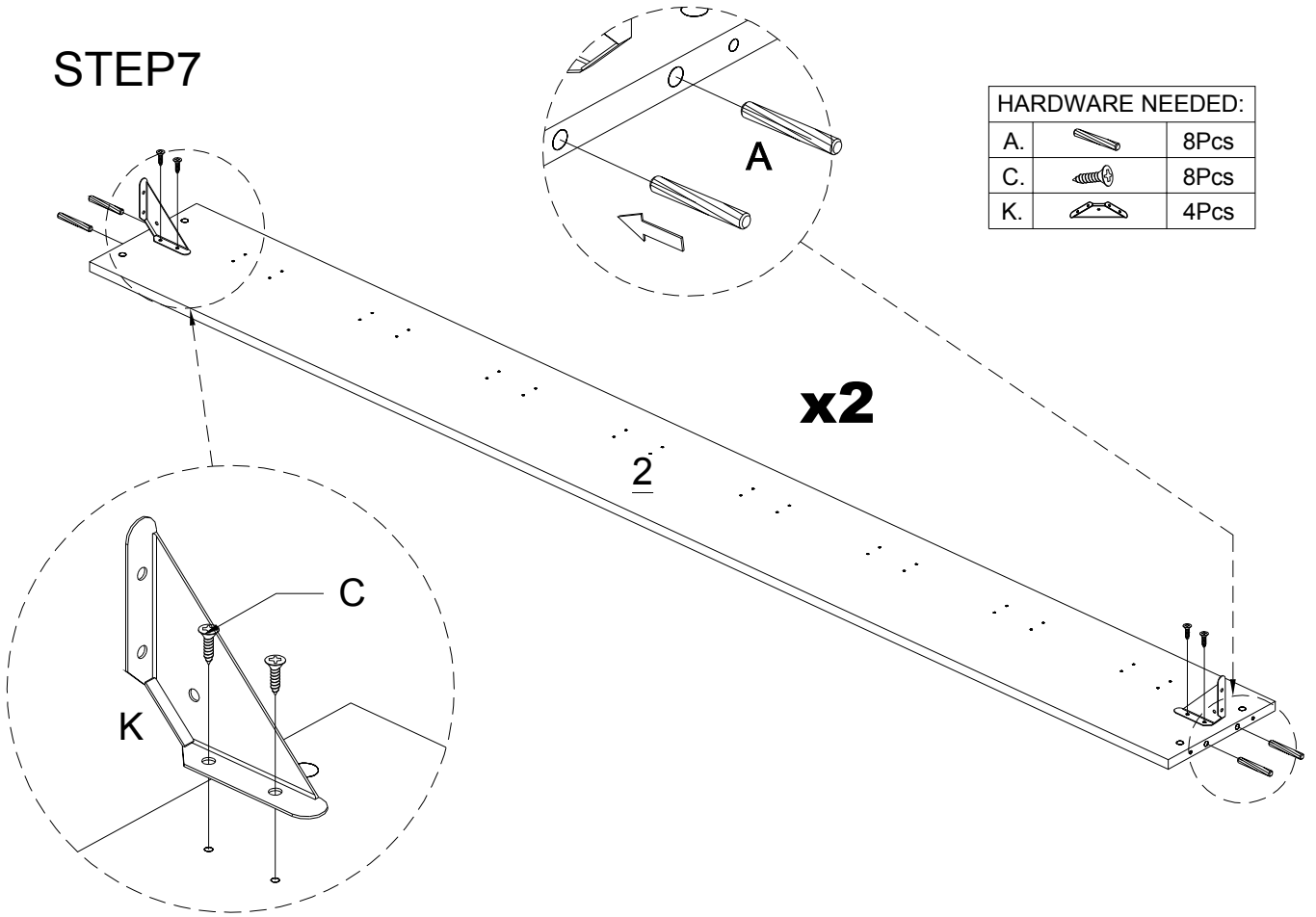
STEP6





HARDWARE NEEDED:		
C.		8Pcs
I.		12Pcs

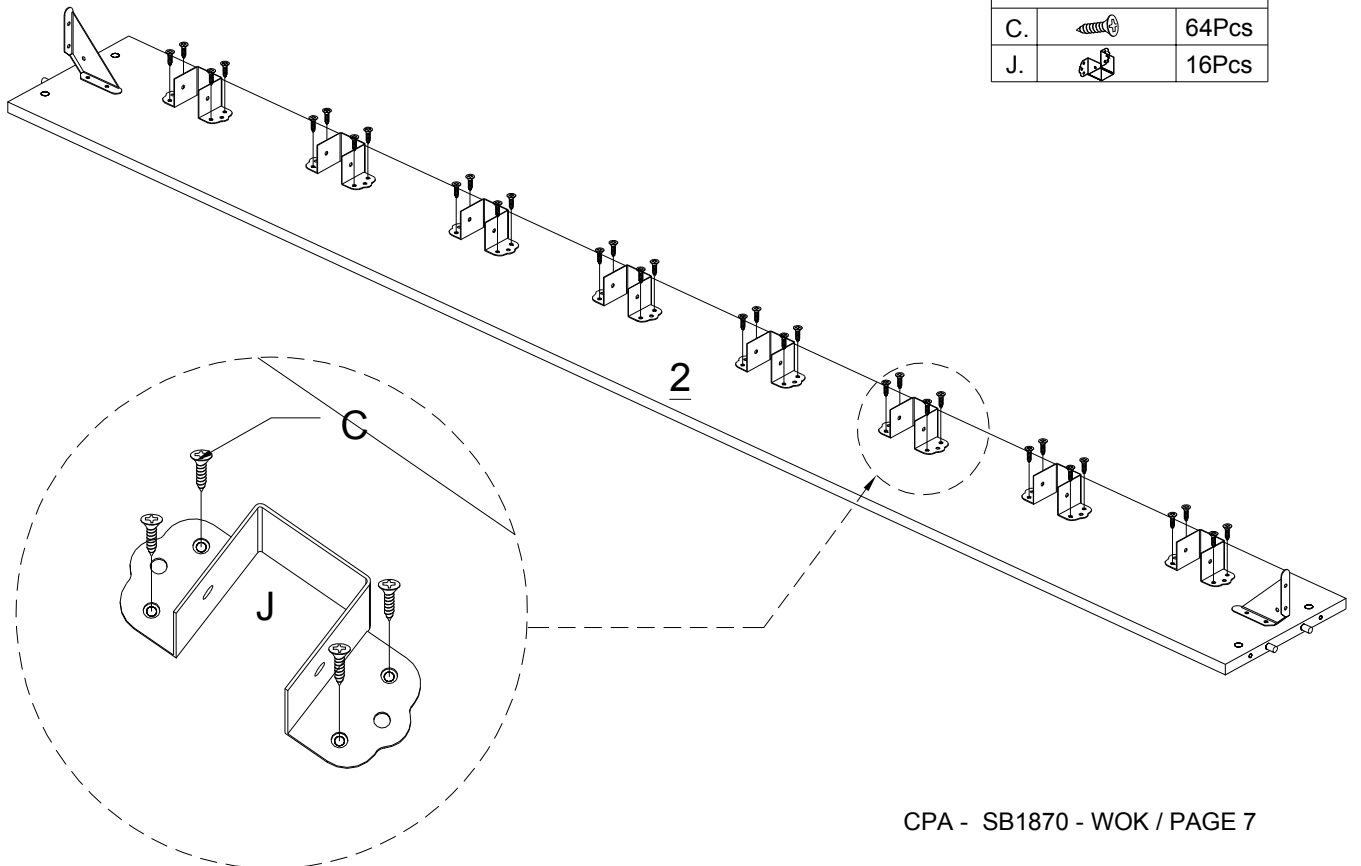
STEP7

HARDWARE NEEDED:		
A.		8Pcs
C.		8Pcs
K.		4Pcs






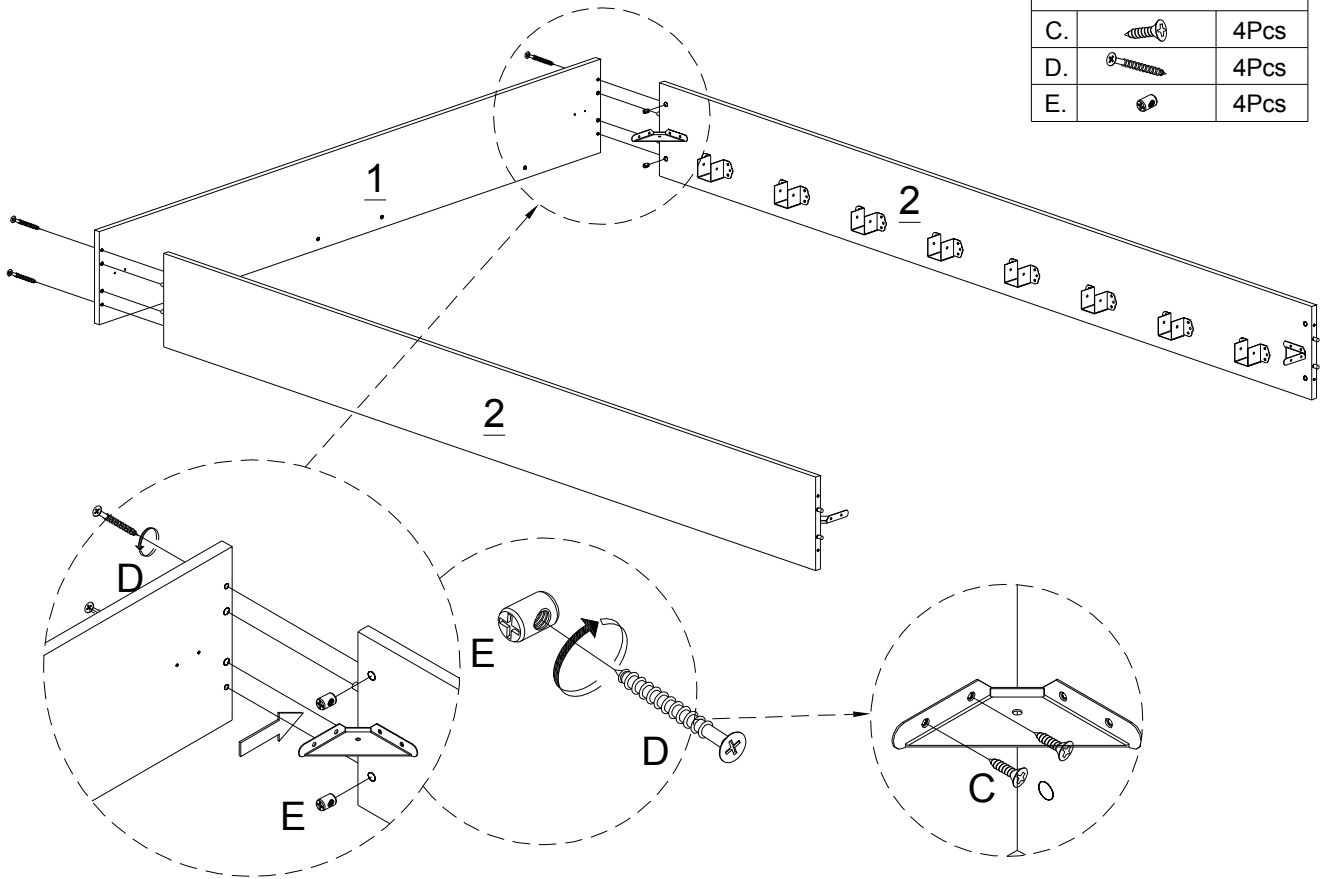
STEP8

HARDWARE NEEDED:		
C.		64Pcs
J.		16Pcs



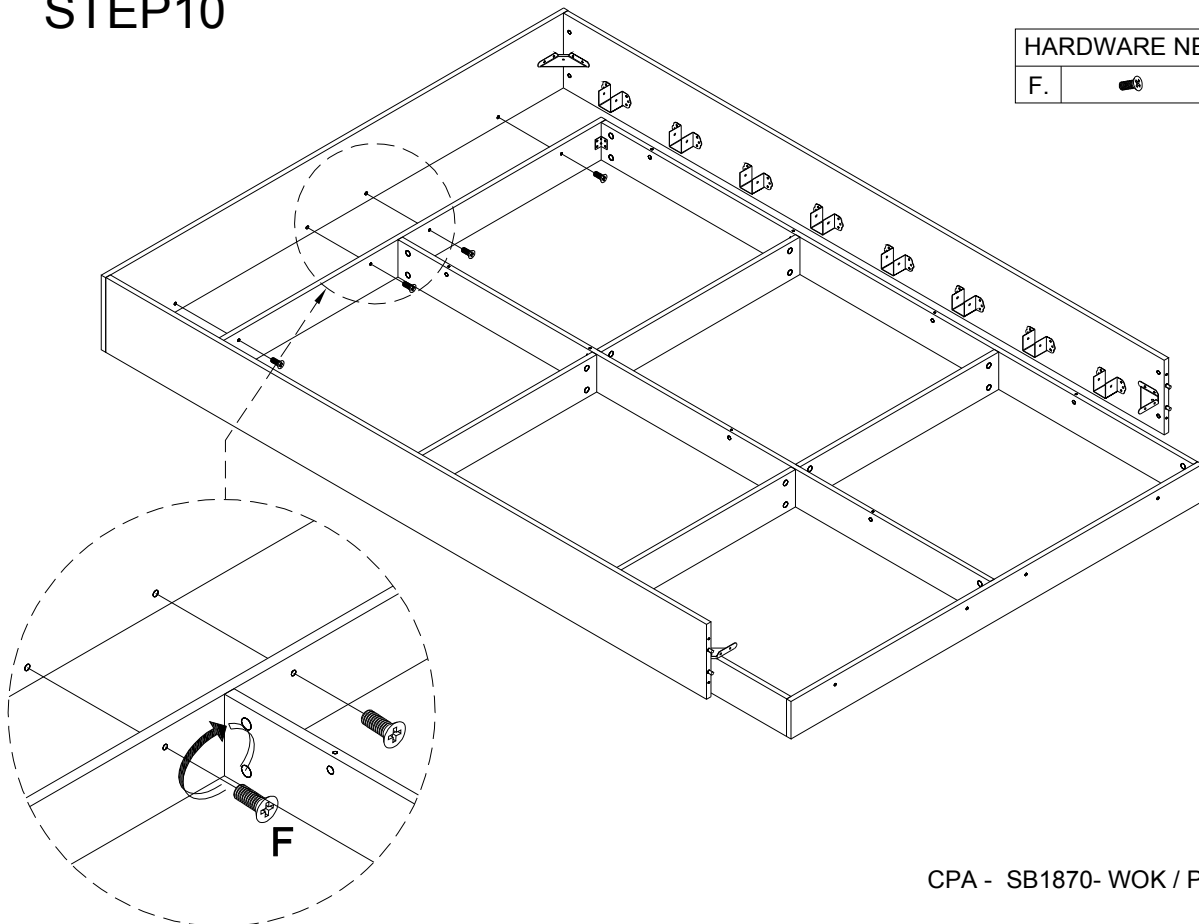
STEP9

HARDWARE NEEDED:		
C.		4Pcs
D.		4Pcs
E.		4Pcs






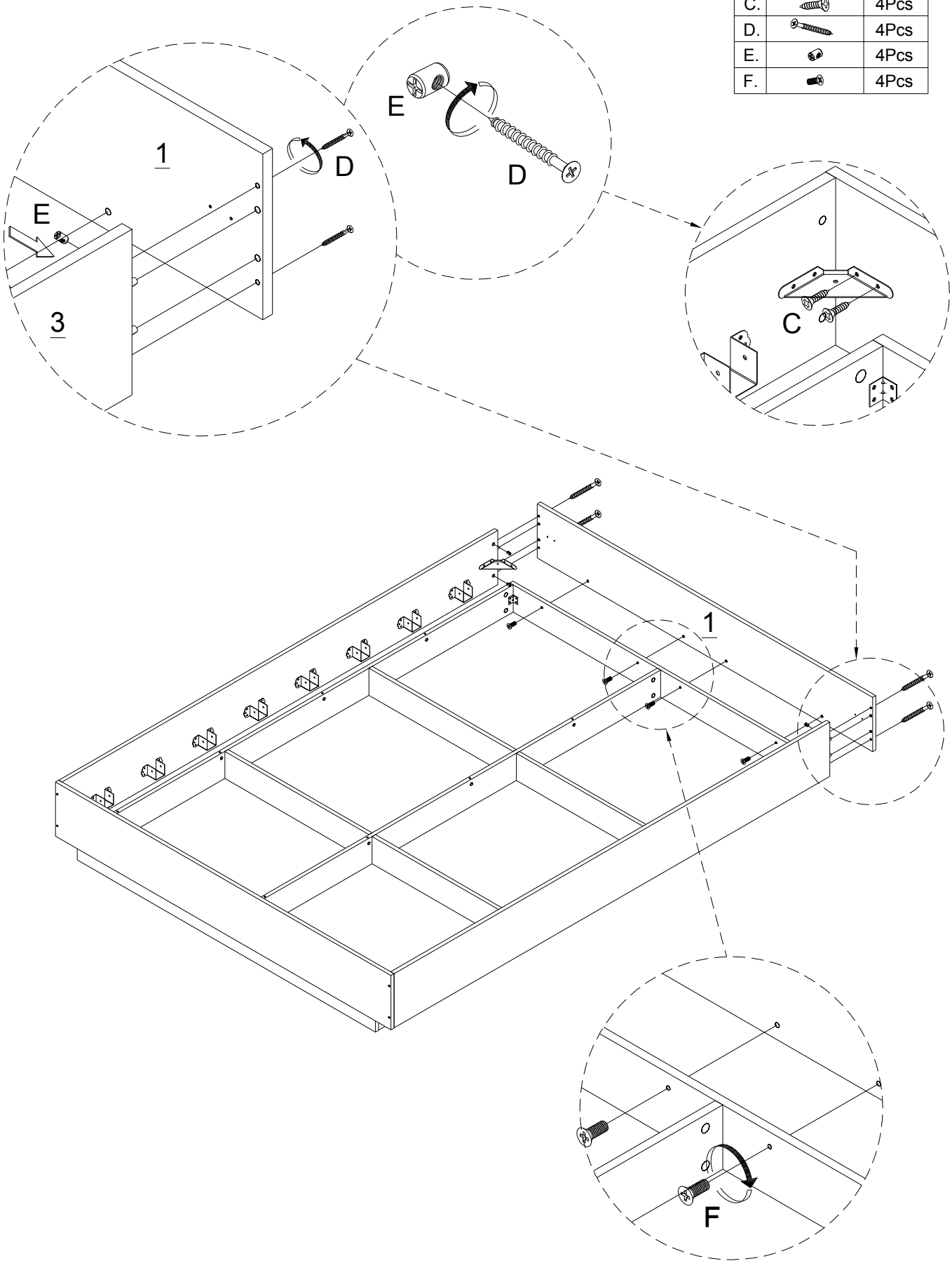
STEP10

HARDWARE NEEDED:		
F.		4Pcs






STEP11

HARDWARE NEEDED:		
C.		4Pcs
D.		4Pcs
E.		4Pcs
F.		4Pcs



STEP12

HARDWARE NEEDED:		
C.		16Pcs
D.		12Pcs
E.		12Pcs

