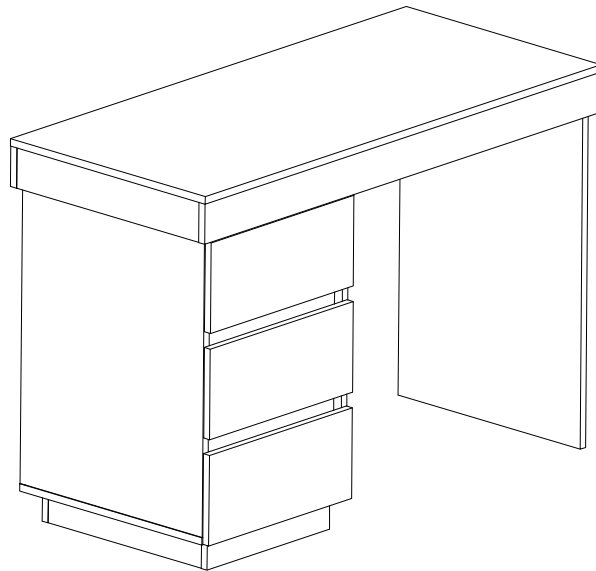


*Please Keep For Future Reference Only.

CUPPA SERIES ASSEMBLY INSTRUCTION



Dimensions
Width:1100mm
Depth:500mm
Height:760mm

CUPPA DESK

IMPORTANT:-
PLEASE READ THESE INSTRUCTION CAREFULLY BEFORE STARTING ASSEMBLY.

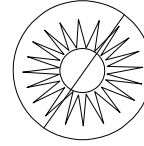
IMPORTANT TIPS AND MAINTENANCE



i) Keep children and animal away to avoid choking hazard.



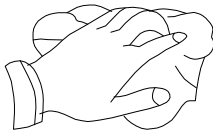
ii) Never put the liquid on the furniture.



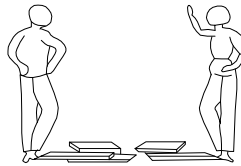
iii) To avoid dulling, do not place directly to the sunlight.



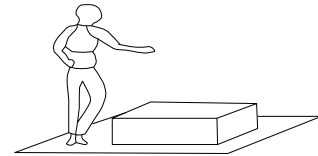
iv) Never use ammonia cleaning product, because it will damage the finish.



v) Use a dry cloth to wipe clean the surface.



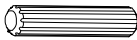





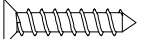

vi) Two person required.

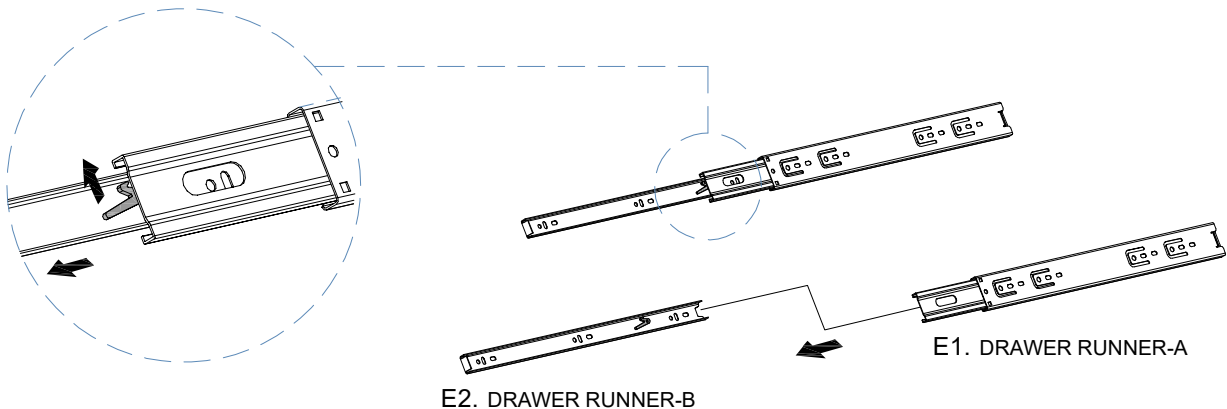


vii) Put a soft mat on the floor to protect the furniture before assembly.

COMPONENTS:- HARDWARE

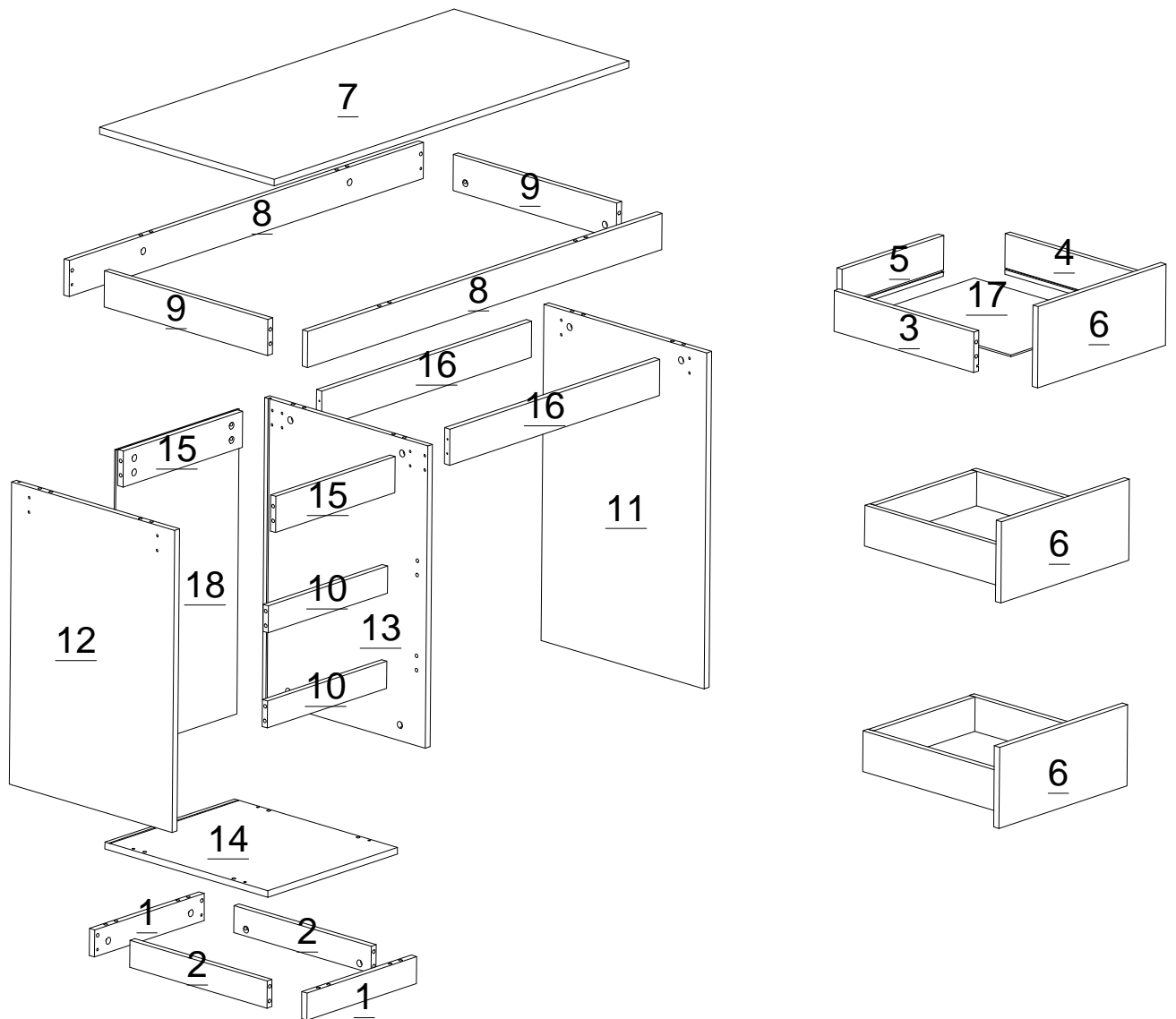
Please check you have all the fittings part or tools are listed in below.

NO.	FITTINGS/TOOLS	QTY	NO.	FITTINGS/TOOLS	QTY
A.	 DOWEL 8x40MM	38 Pcs	E.	 DRAWER RUNNER-A&B	6 Pcs
B.	 CAMBOLT+CAMNUT	50 Pcs	G.	 SCREW M3.5x14MM	8 Pcs
C.	 SCREW M3.5x14MM	30 Pcs	H.	 PIN	10 Pcs
D.	 SCREW M3.5x35MM	12 Pcs	I.	 BRACKET	6 Pcs



COMPONENTS:-
PANELS

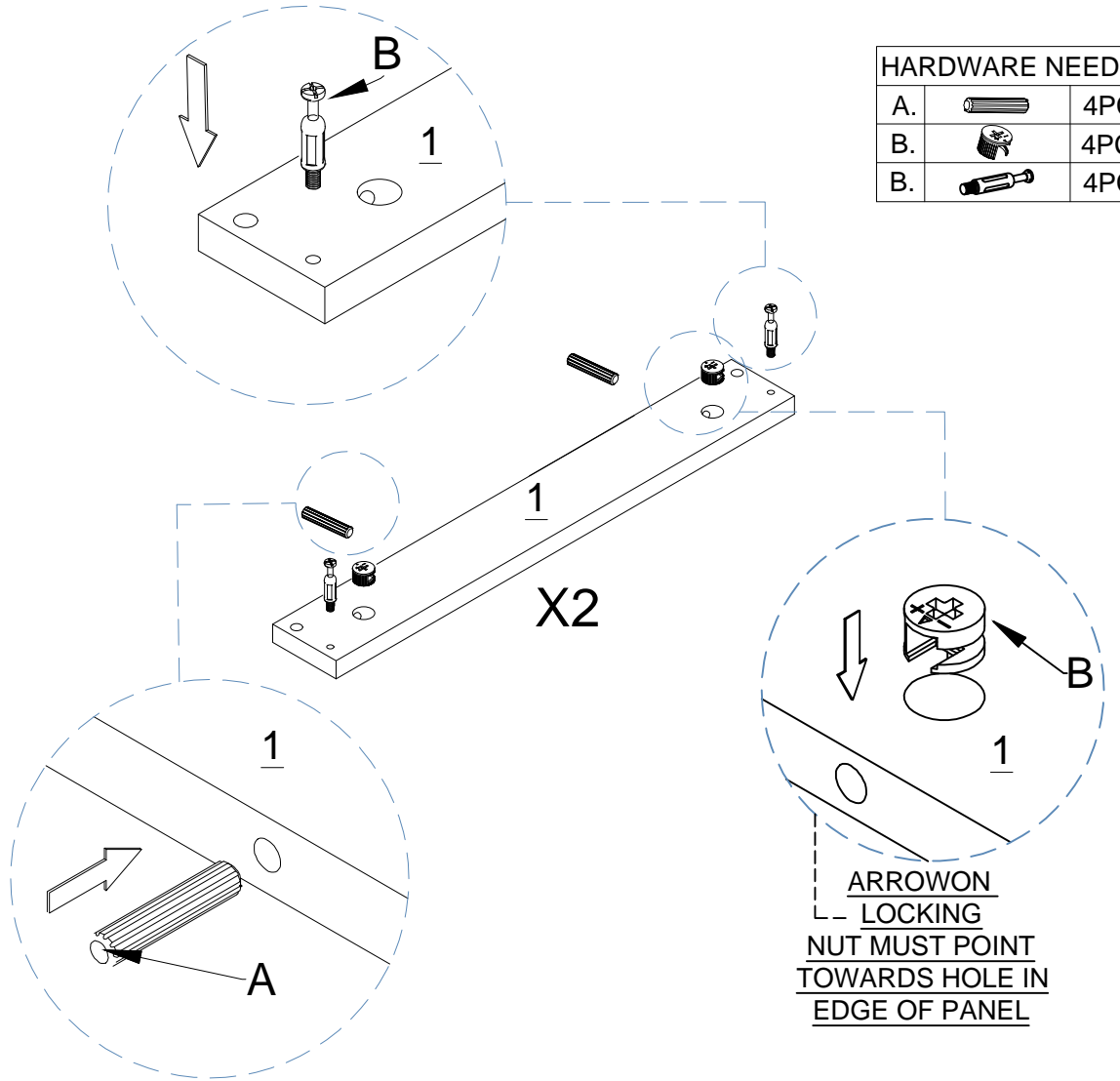
Please check you have all the panels are listed below.



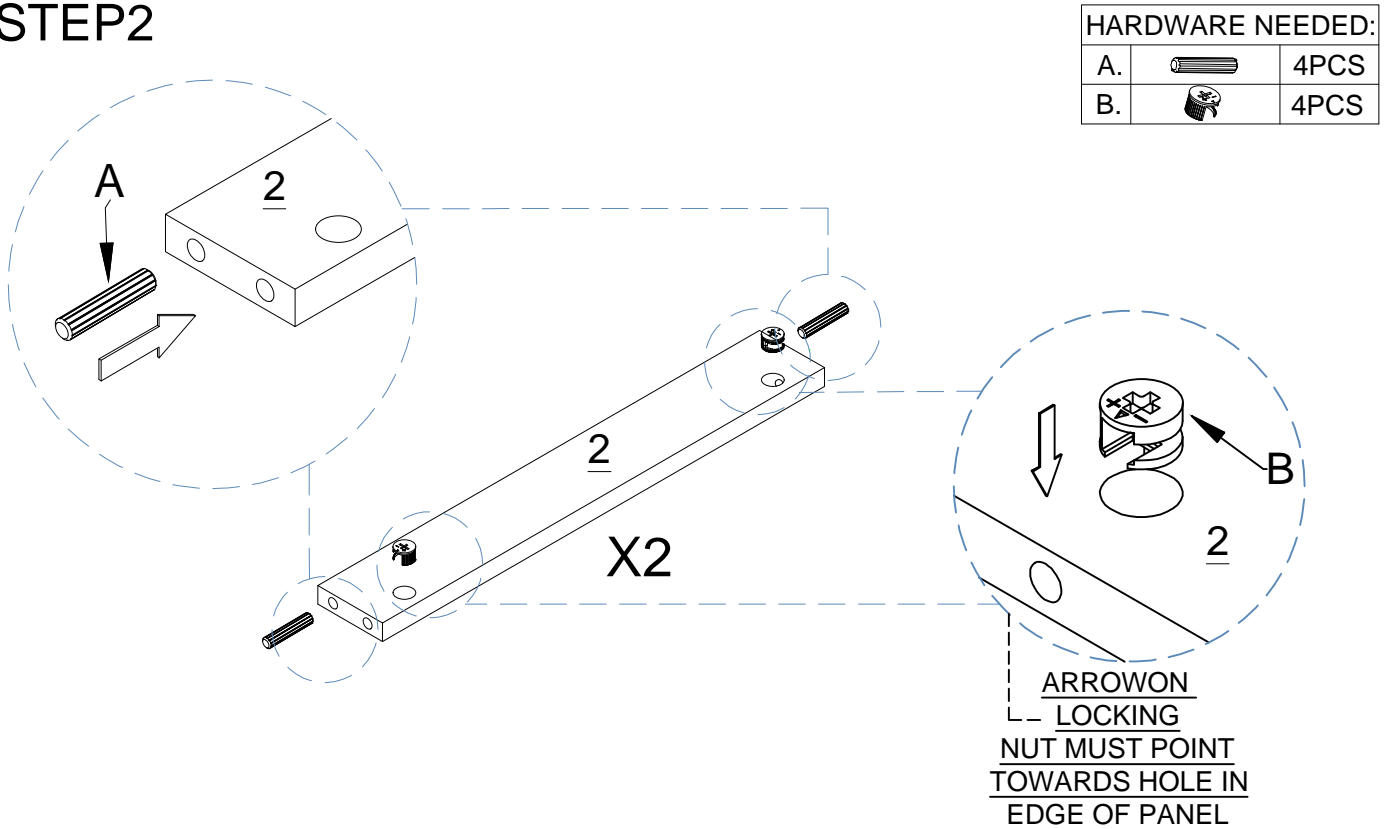
PARTLIST

1	BASE	2pcs	10	FRONT PANEL	2pcs
2	BASE SIDE	2pcs	11	TABLE LEG	1pc
3	DRAWER SIDE_L	3pcs	12	SIDE PANEL_L	1pc
4	DRAWER SIDE_R	3pcs	13	SIDE PANEL_R	1pc
5	DRAWER BACK	3pcs	14	BOTTOM PANEL	1pc
6	DRAWER FRONT	3pcs	15	CHEST BRACE PANEL	2pcs
7	TABLE TOP	1pc	16	TABLE BRACE PANEL	2pcs
8	LONG SKIRT	2pcs	17	DRAWER BASE	3pcs
9	SHORT SKIRT	2pcs	18	BACK PANEL	1pc

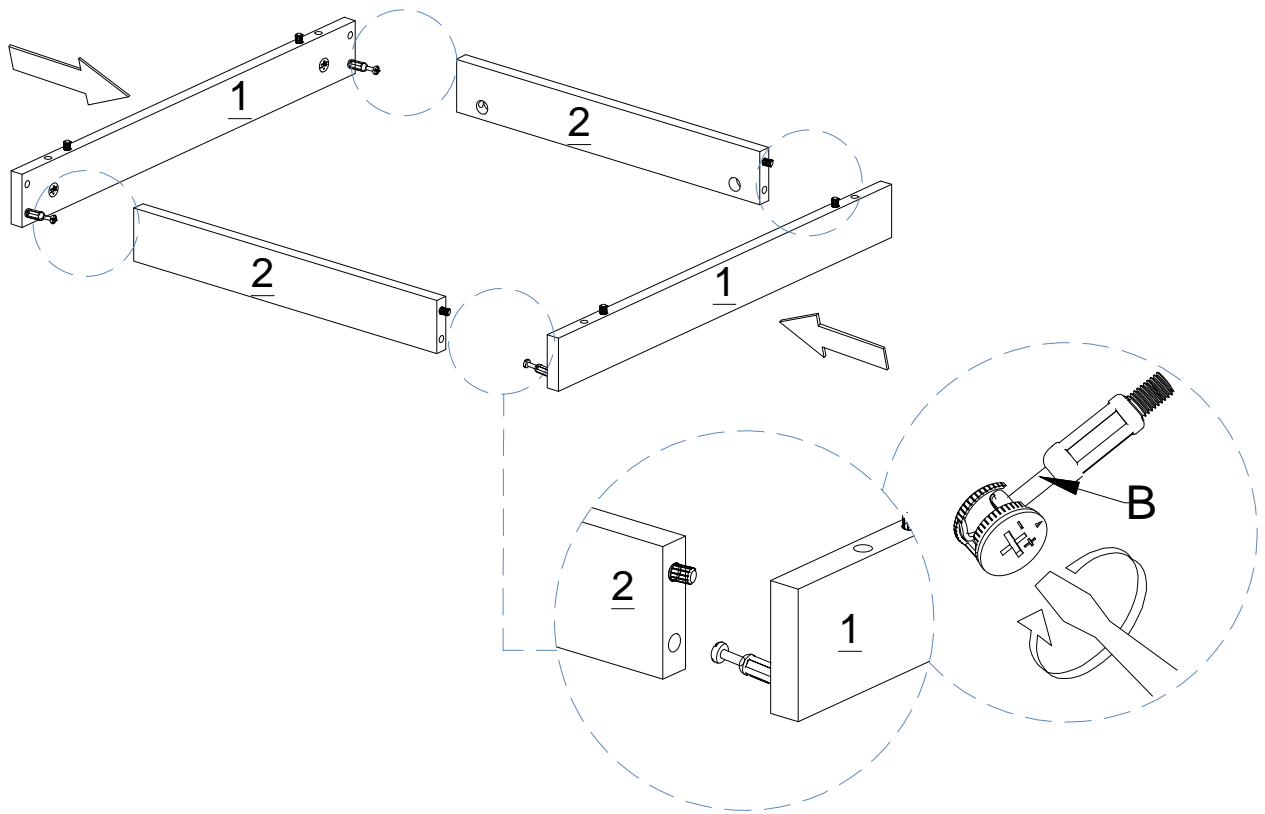
STEP1



STEP2

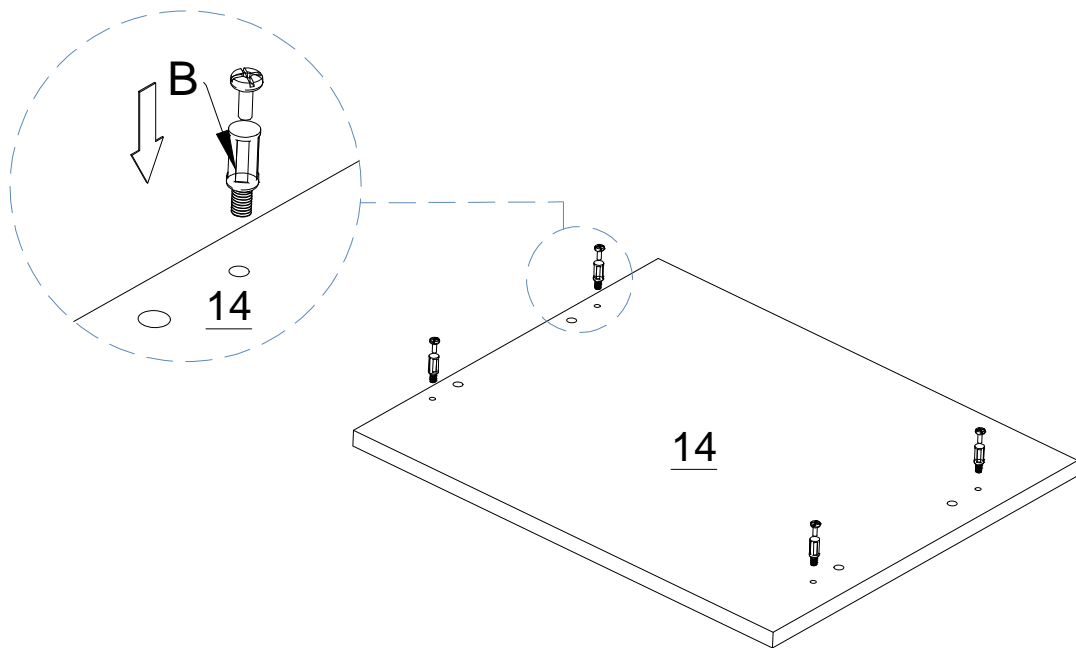


STEP3

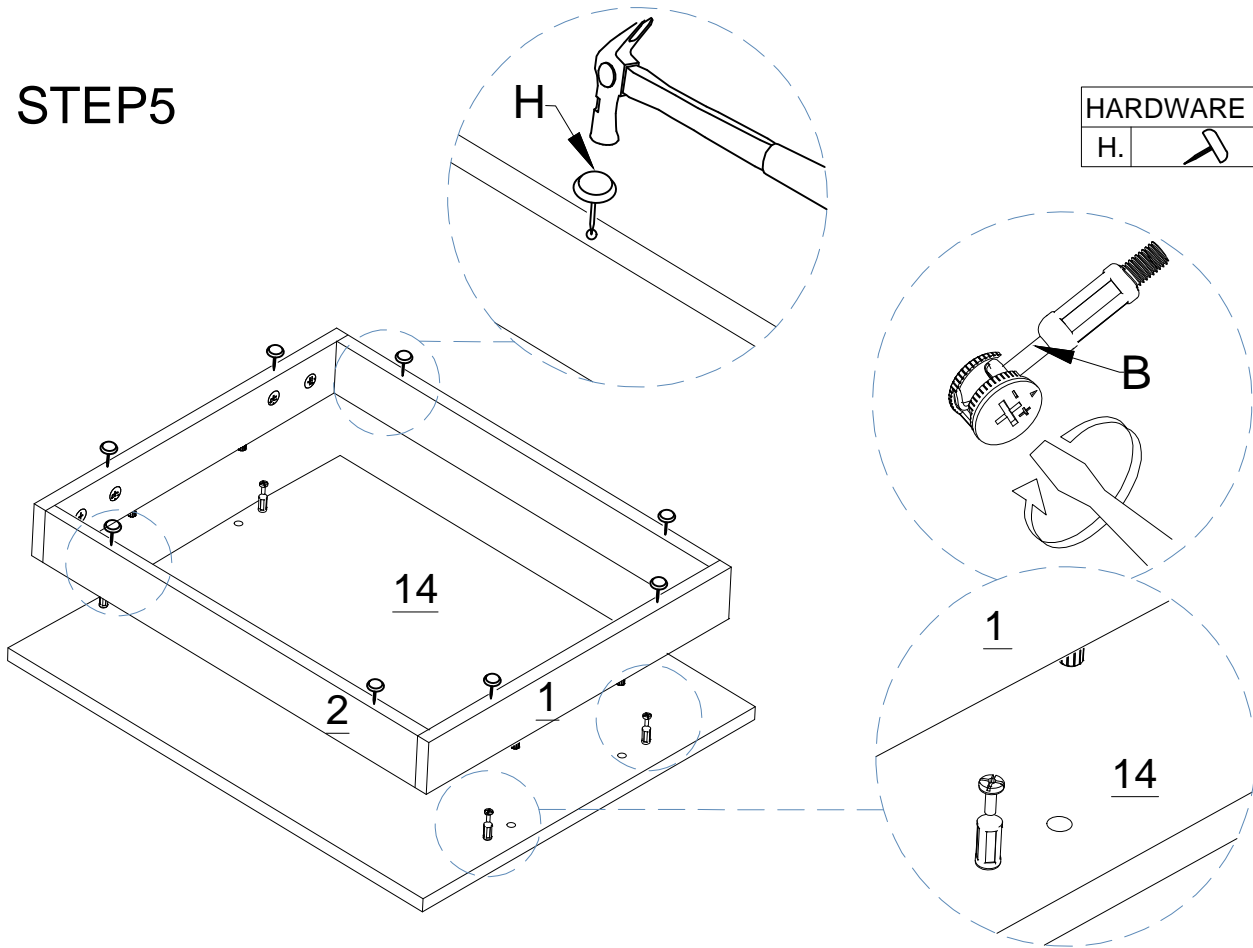


STEP4

HARDWARE NEEDED:		
B.		4PCS



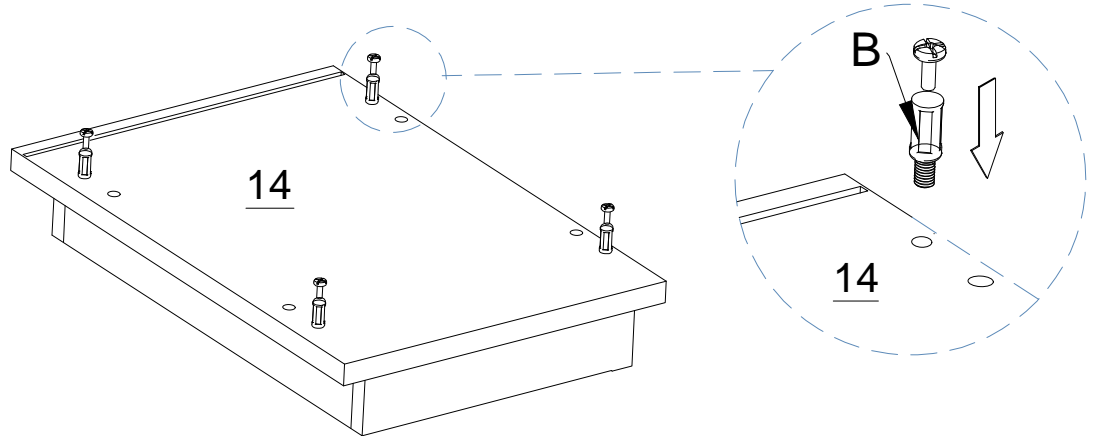
STEP5



HARDWARE NEEDED:

H.		8 PCS
----	---	-------



STEP6

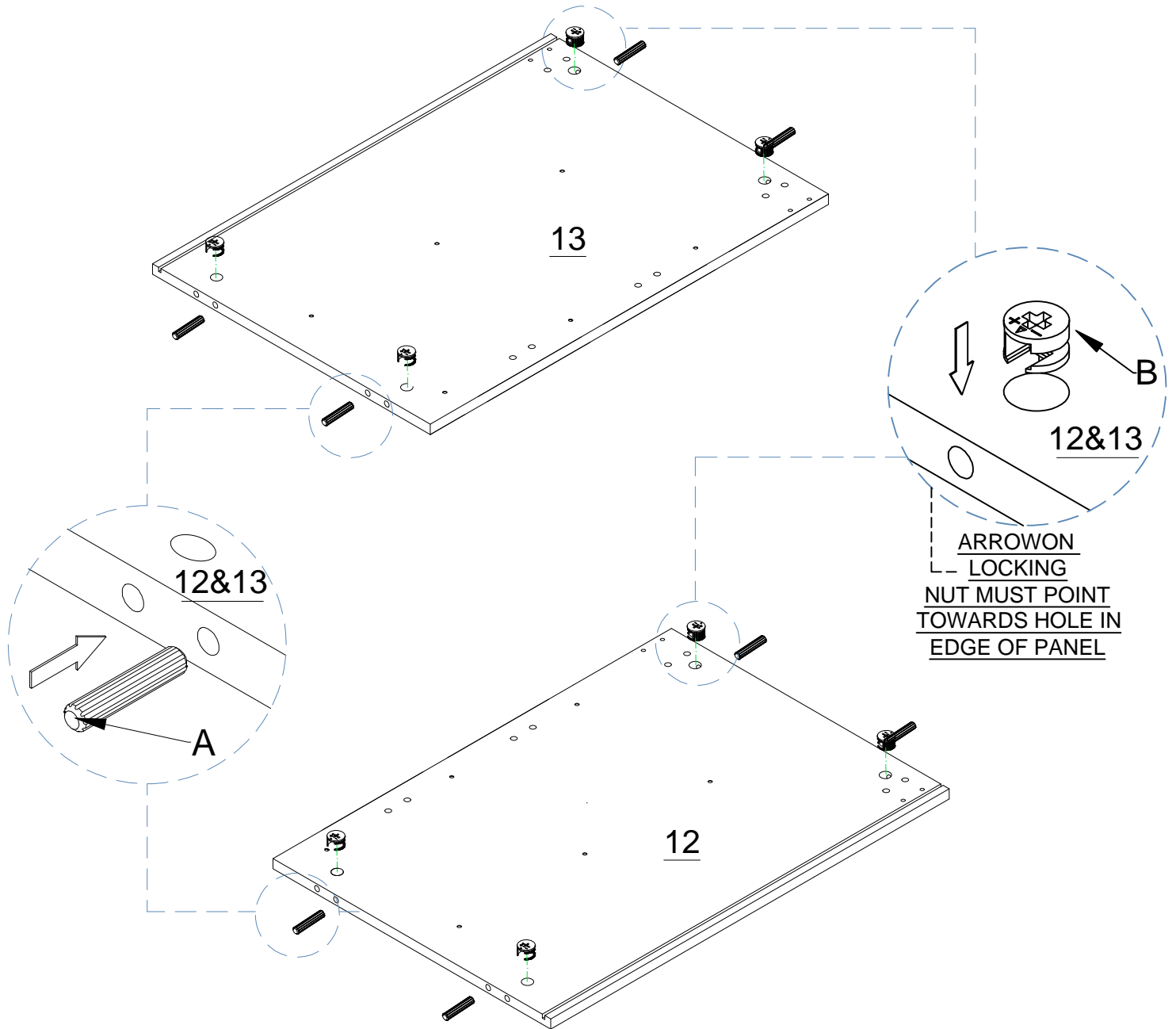


HARDWARE NEEDED:




B.		4PCS
----	---	------

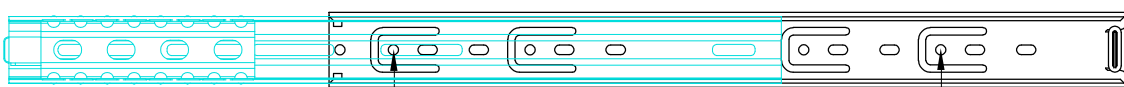
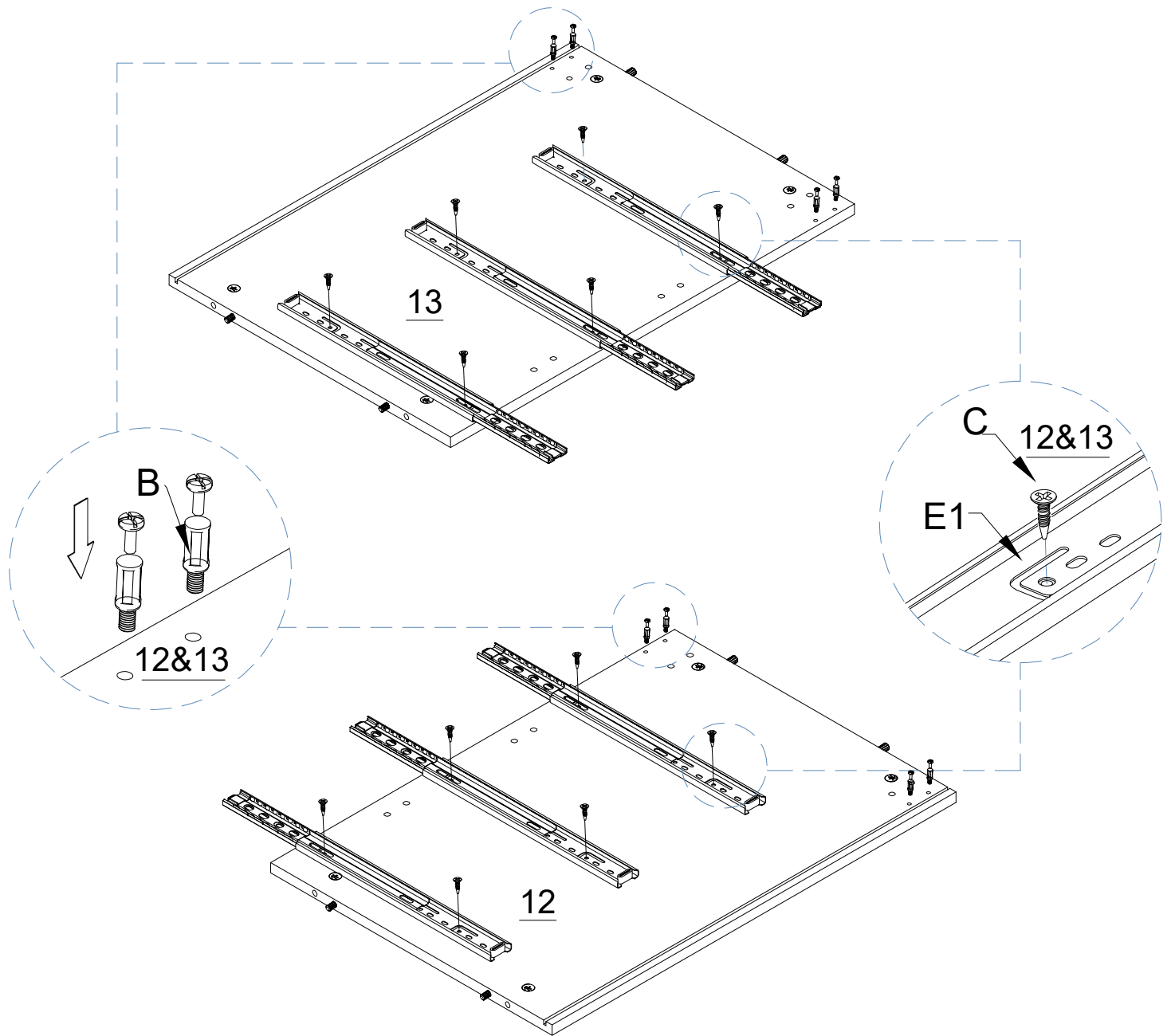
STEP 7

HARDWARE NEEDED:		
A.		8 PCS
B.		8 PCS



STEP 8

HARDWARE NEEDED:		
B.		8PCS
C.		12PCS
E1.		6PCS



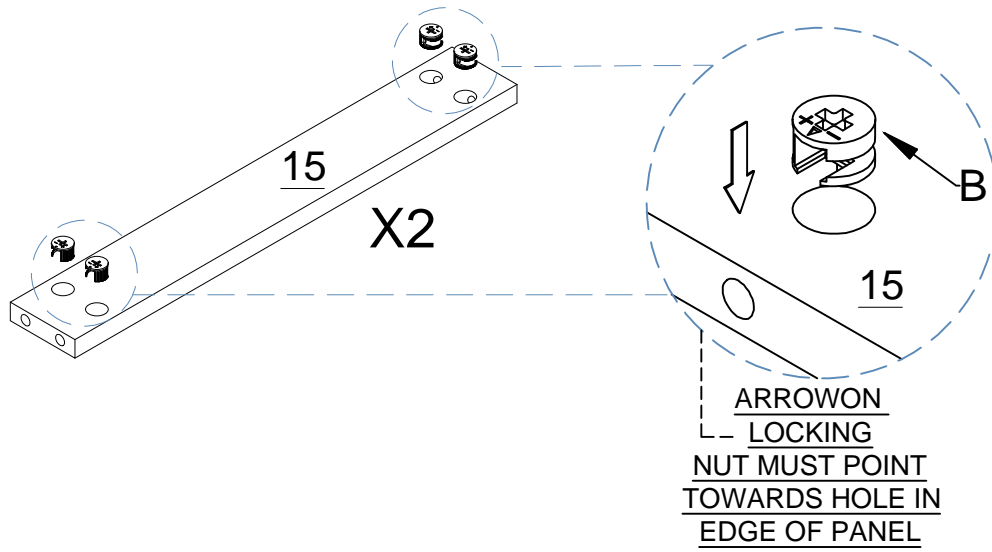
Second Hole

Last Third Hole

**SCREW MUST BE INSERTED
IN THE SECOND HOLE ON THE
DRAWER RUNNER**

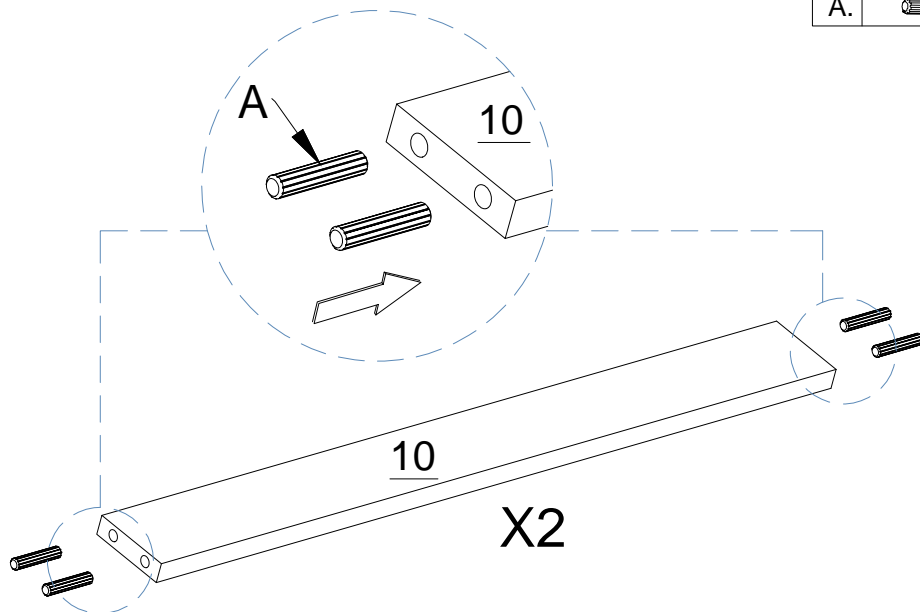
STEP 9

HARDWARE NEEDED:		
B.		8 PCS

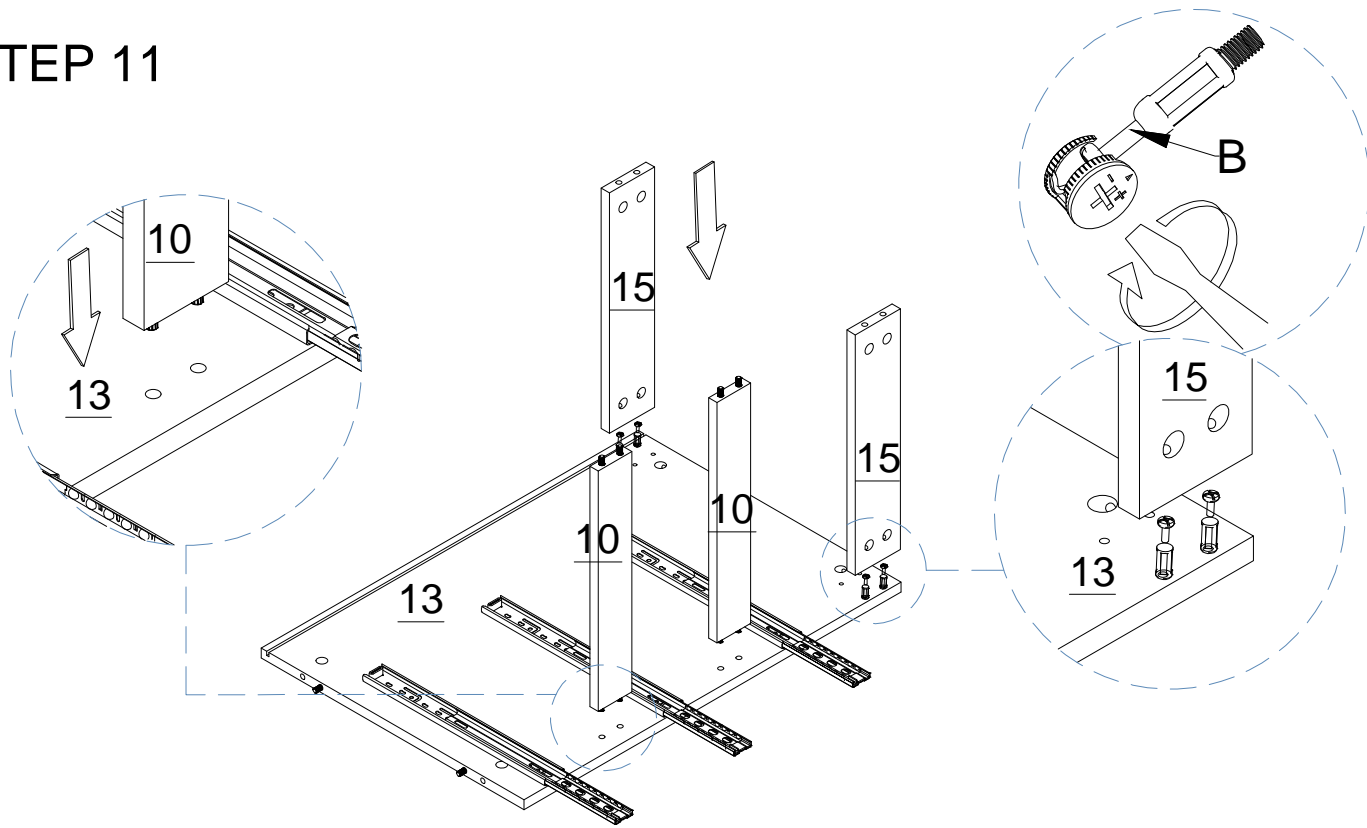


STEP 10

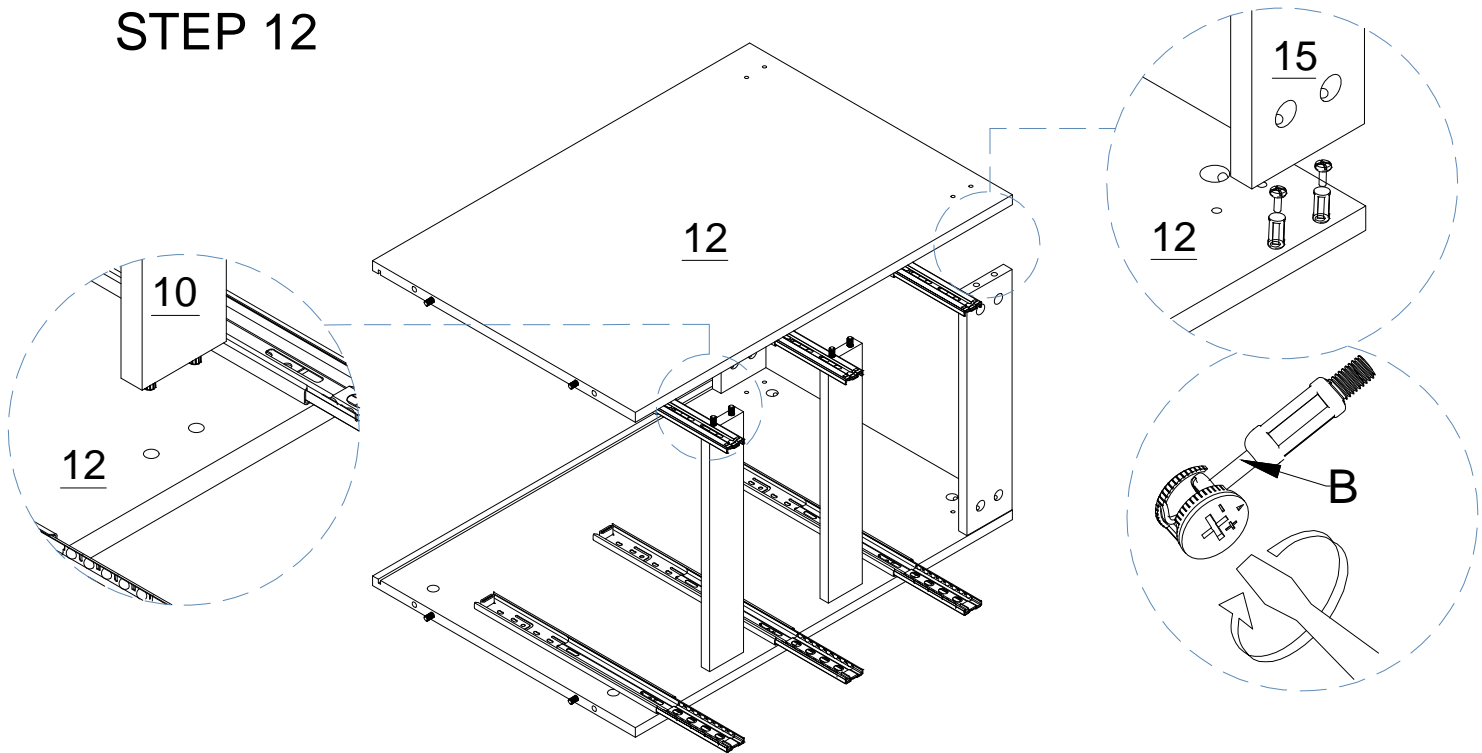
HARDWARE NEEDED:		
A.		8 PCS



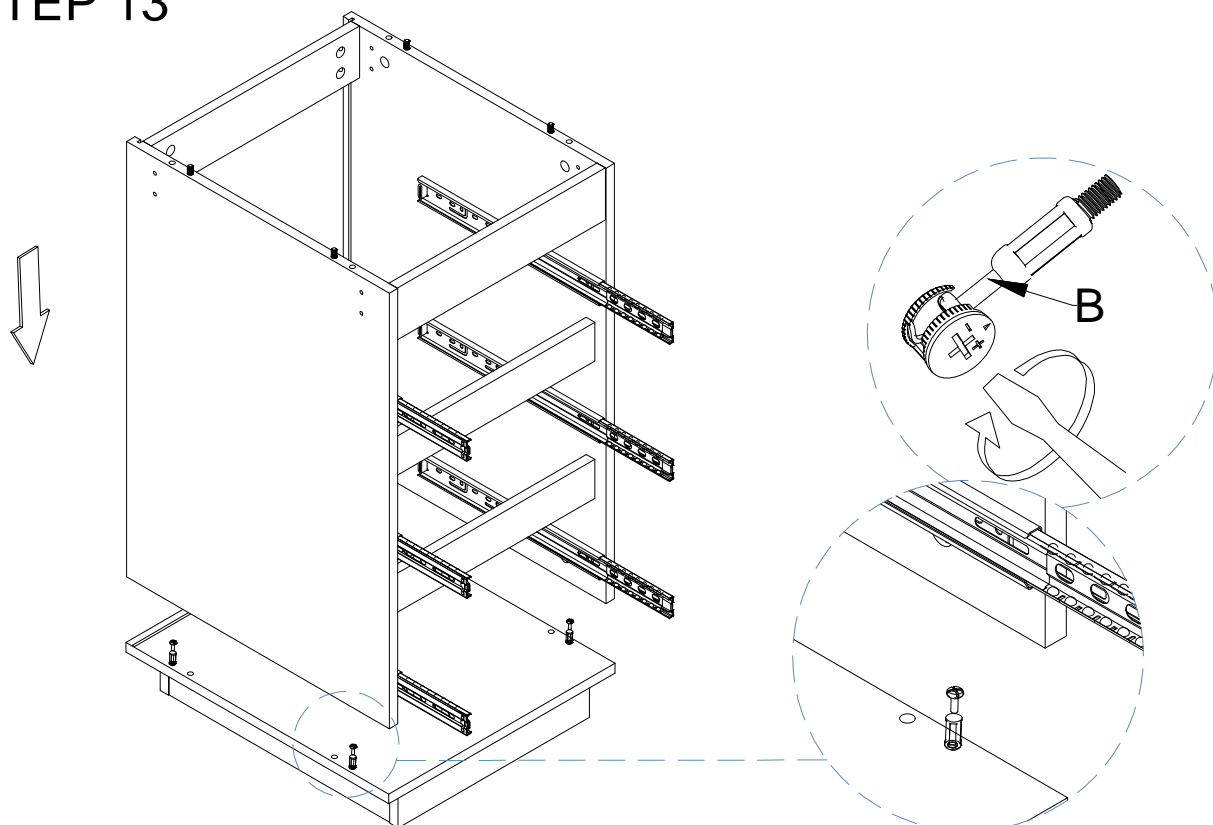
STEP 11



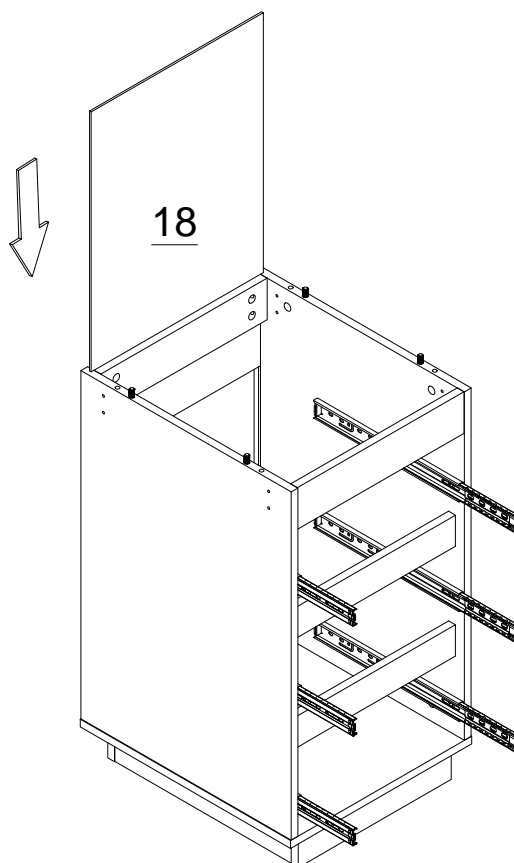
STEP 12



STEP 13

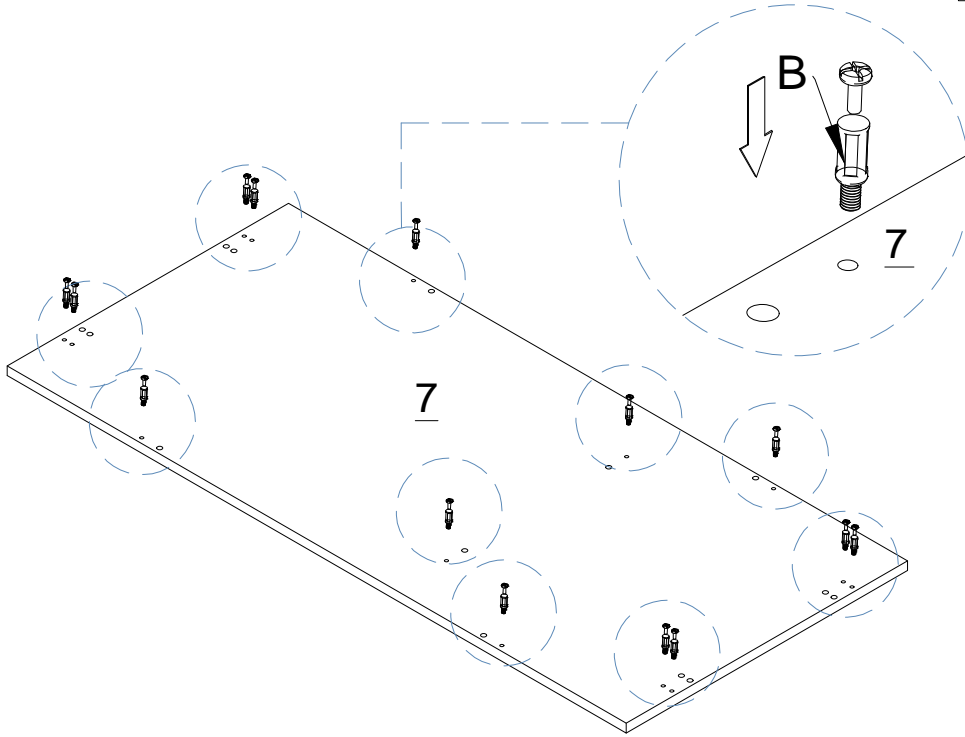


STEP 14






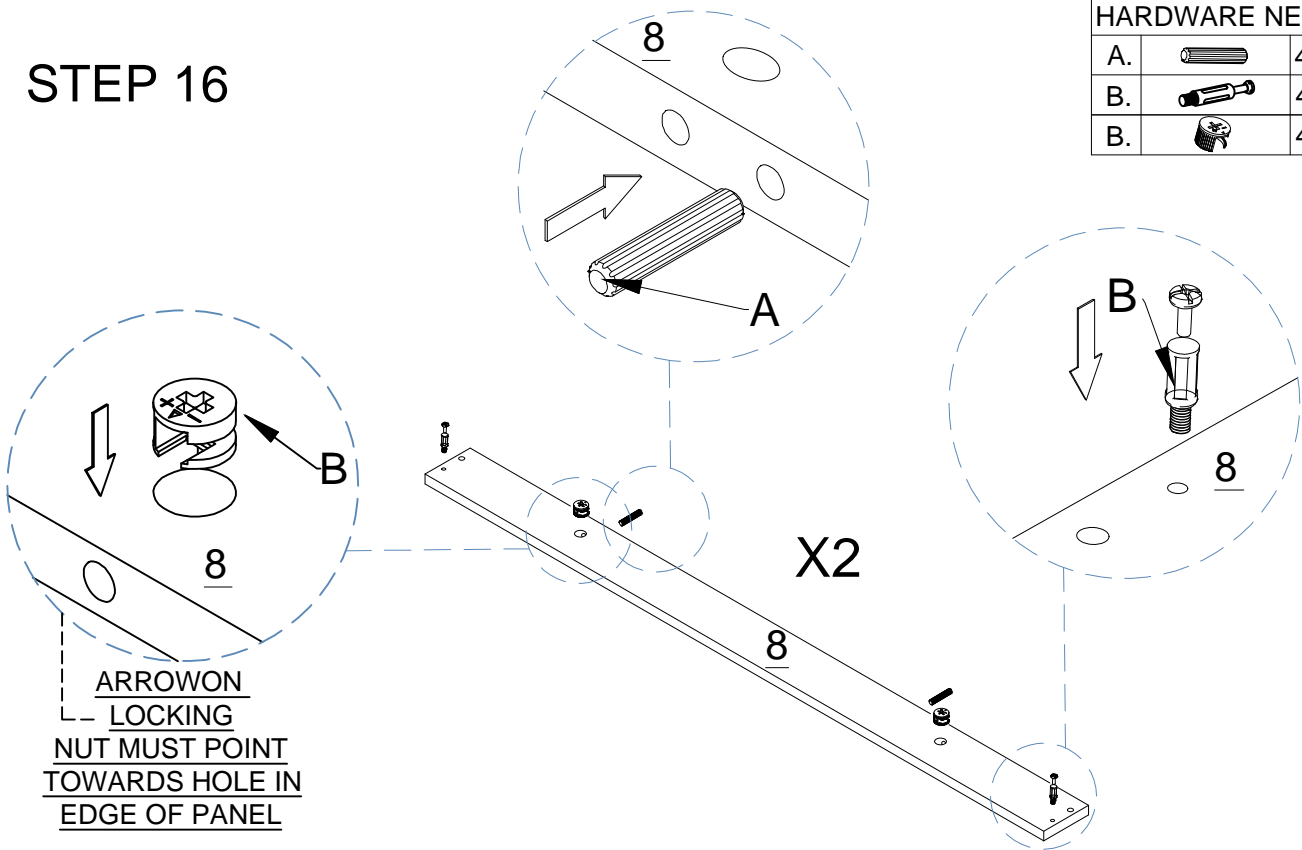
STEP 15

HARDWARE NEEDED:		
B.		14 PCS





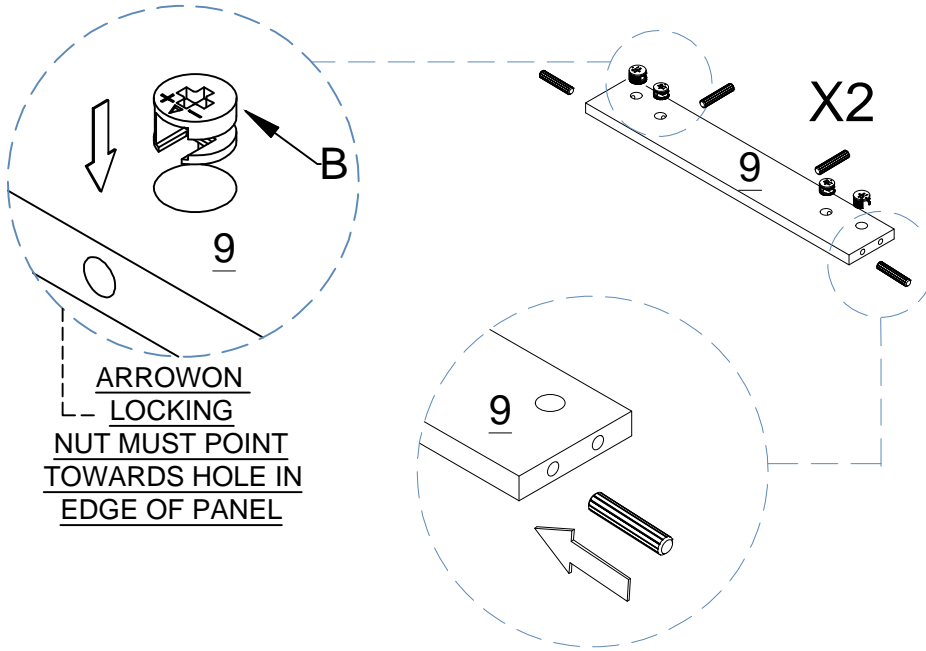
STEP 16

HARDWARE NEEDED:		
A.		4 PCS
B.		4 PCS
B.		4 PCS

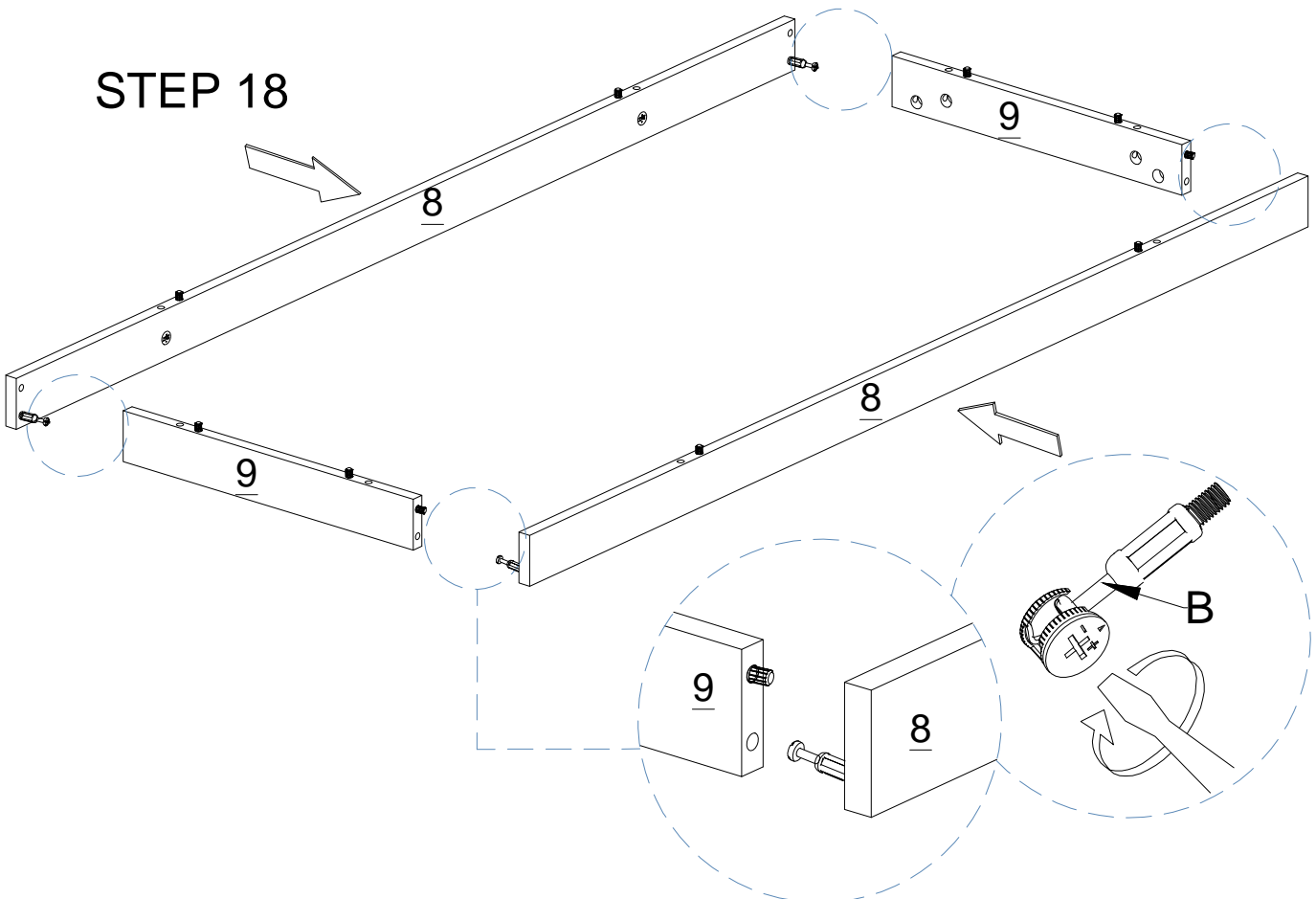


STEP 17

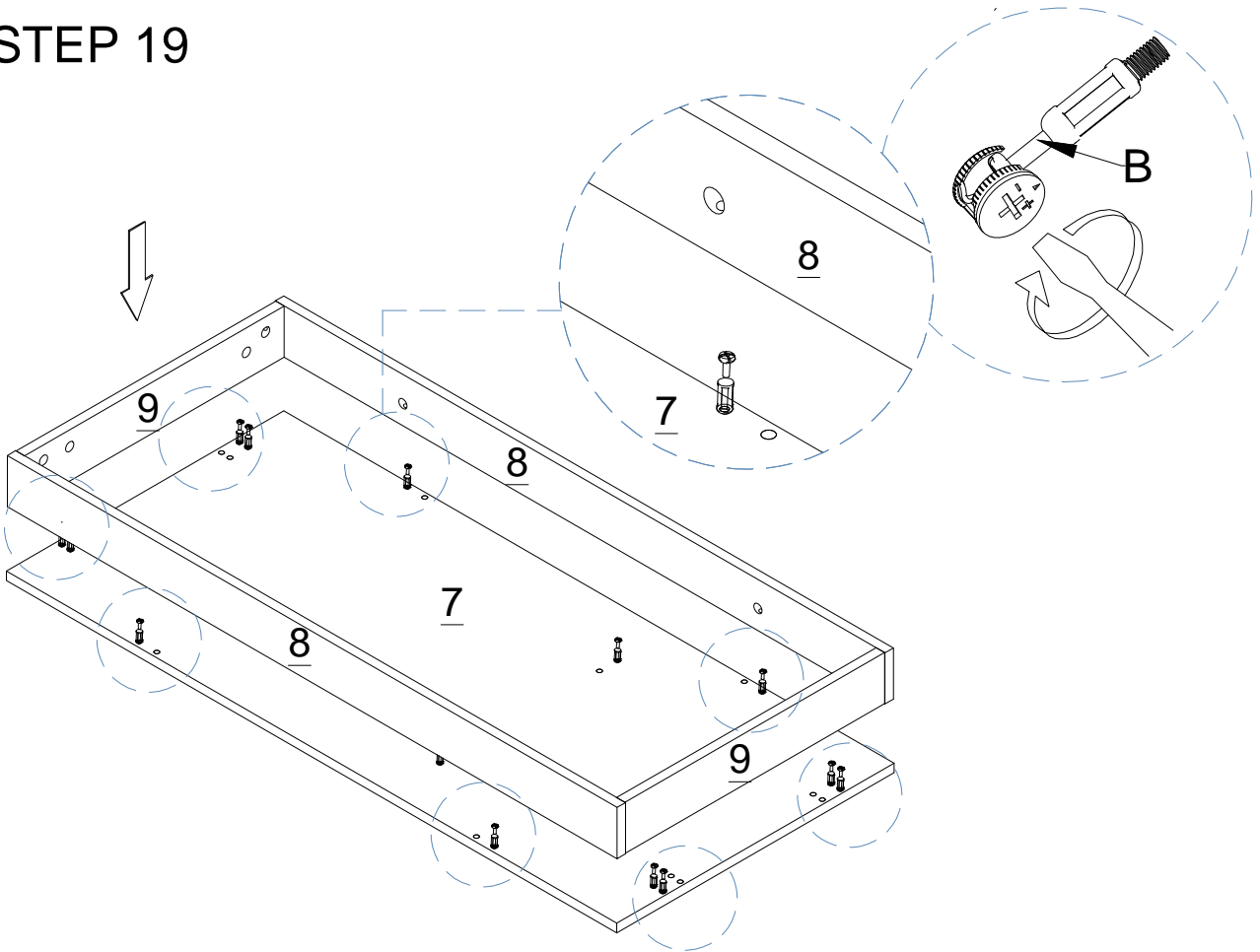
HARDWARE NEEDED:		
A.		8 PCS
B.		8 PCS



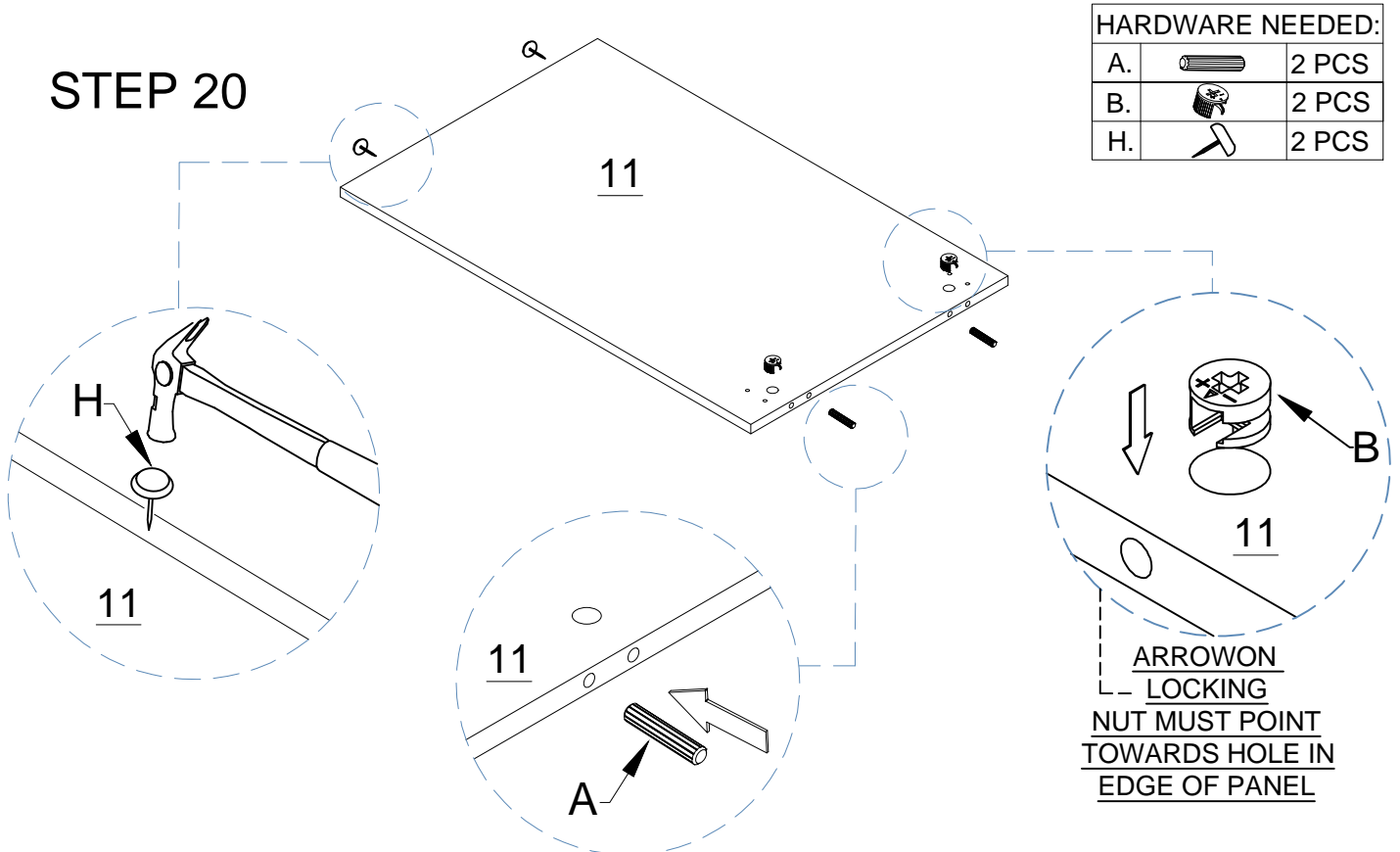
STEP 18






STEP 19



STEP 20

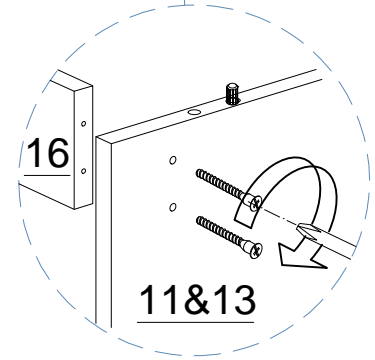
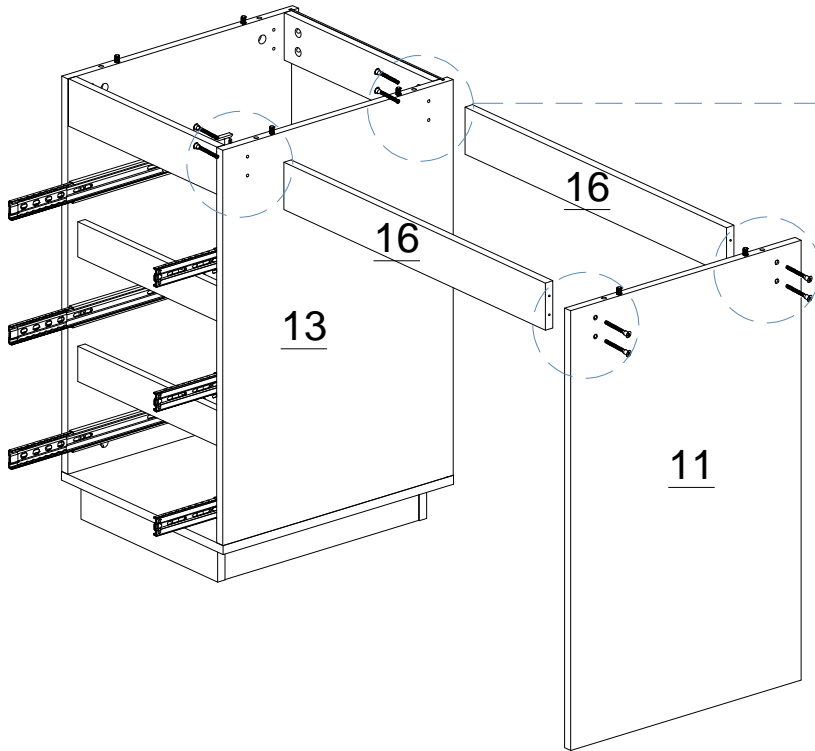


HARDWARE NEEDED:		
A.		2 PCS
B.		2 PCS
H.		2 PCS

ARROW ON
LOCKING
NUT MUST POINT
TOWARDS HOLE IN
EDGE OF PANEL

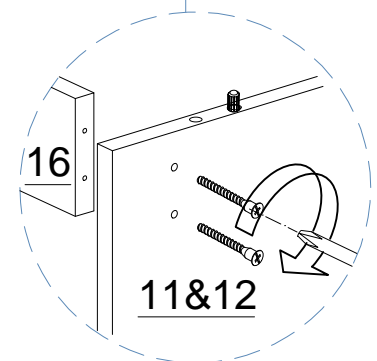
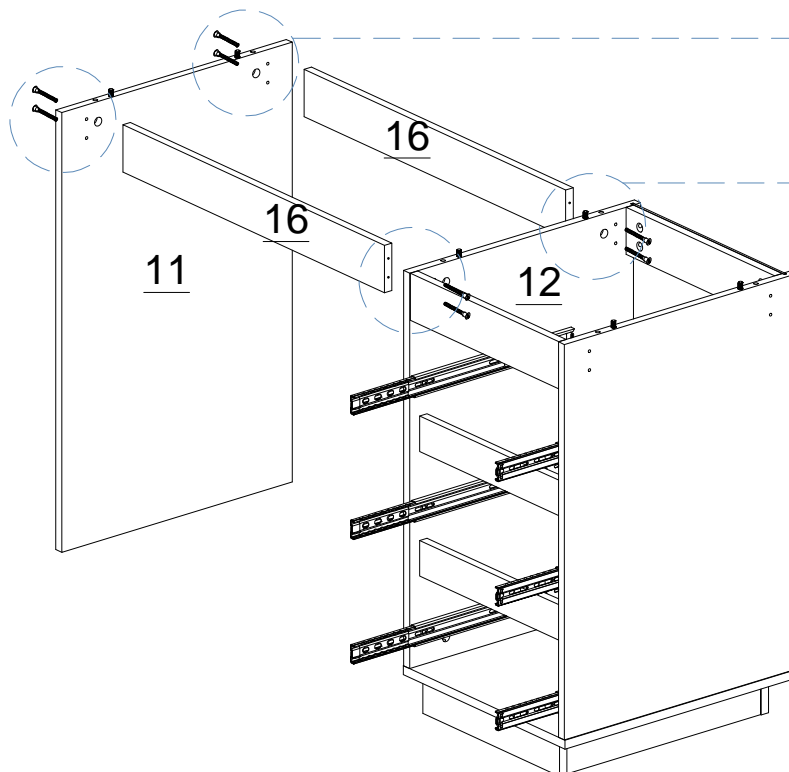
HARDWARE NEEDED:		
G.		8 PCS

STEP 21



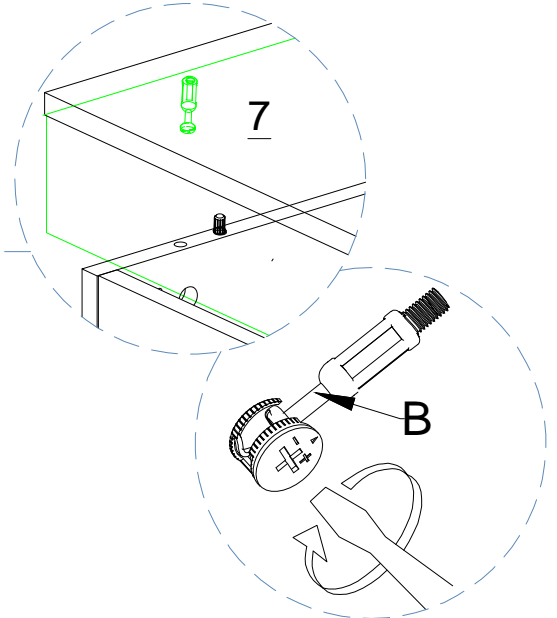
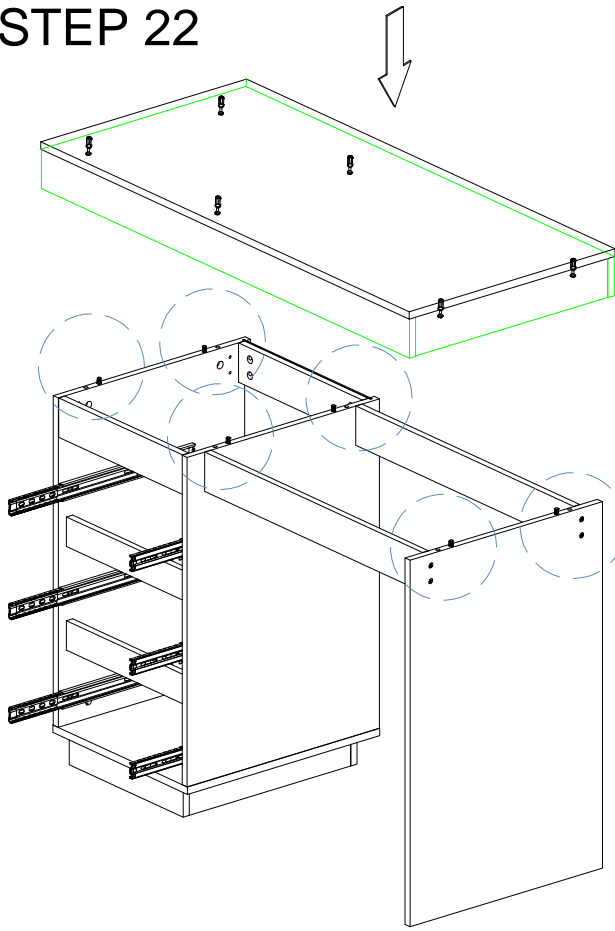
Drawers on the left

OR



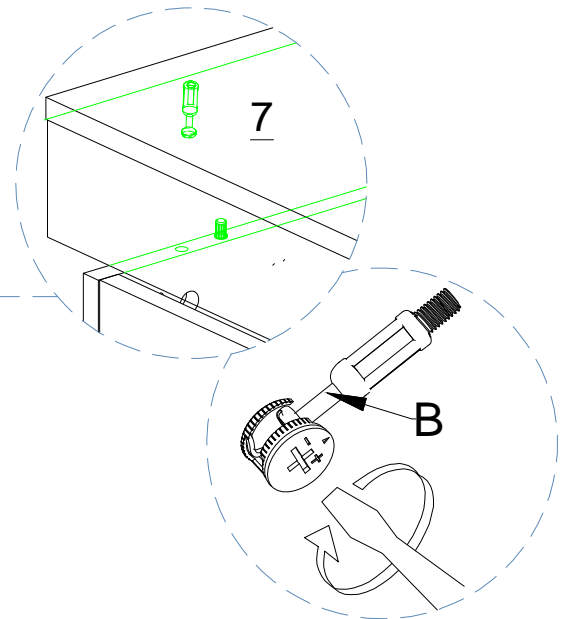
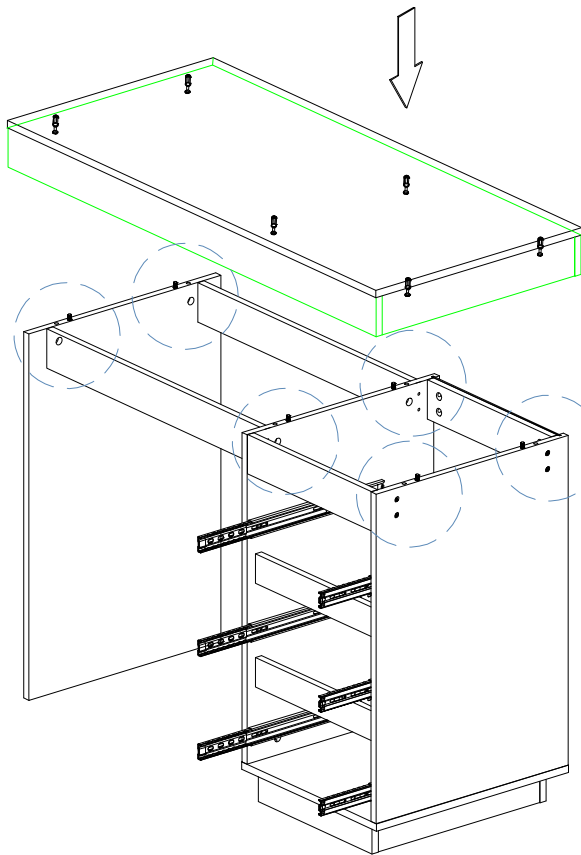
Drawers on the right

STEP 22



Drawers on the left

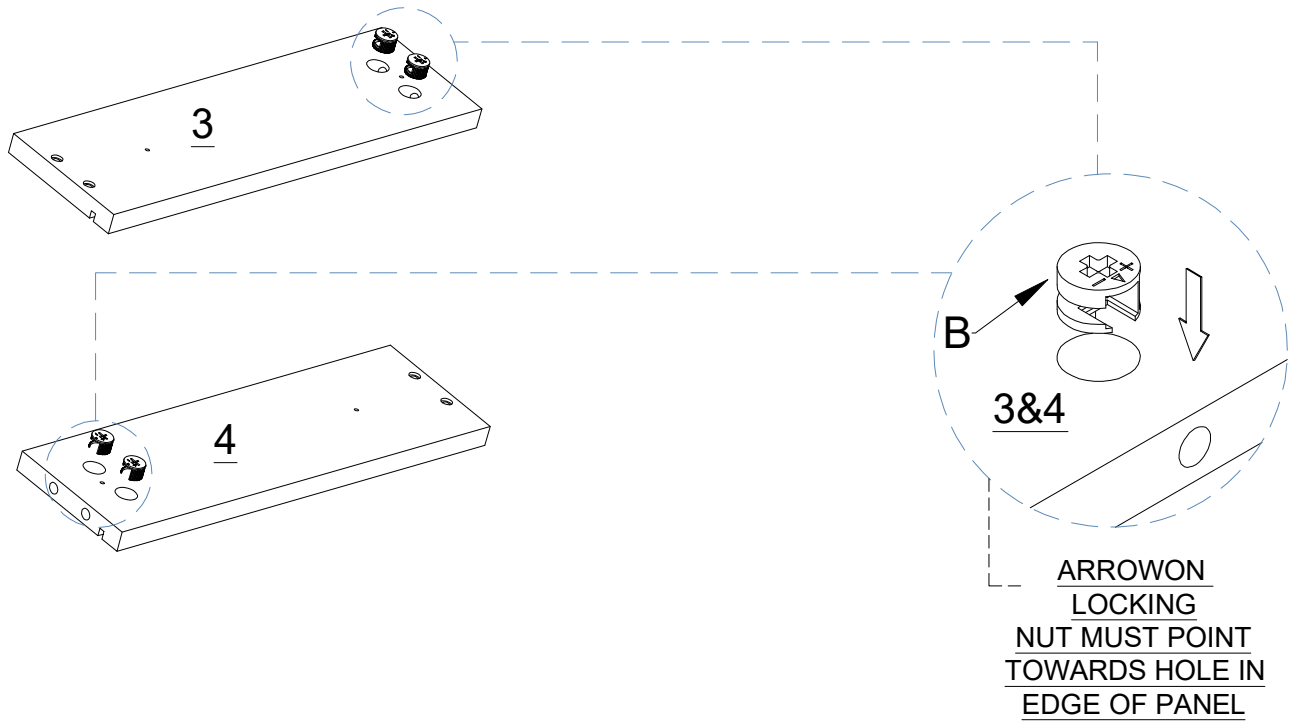
OR



Drawers on the right

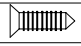

STEP 23

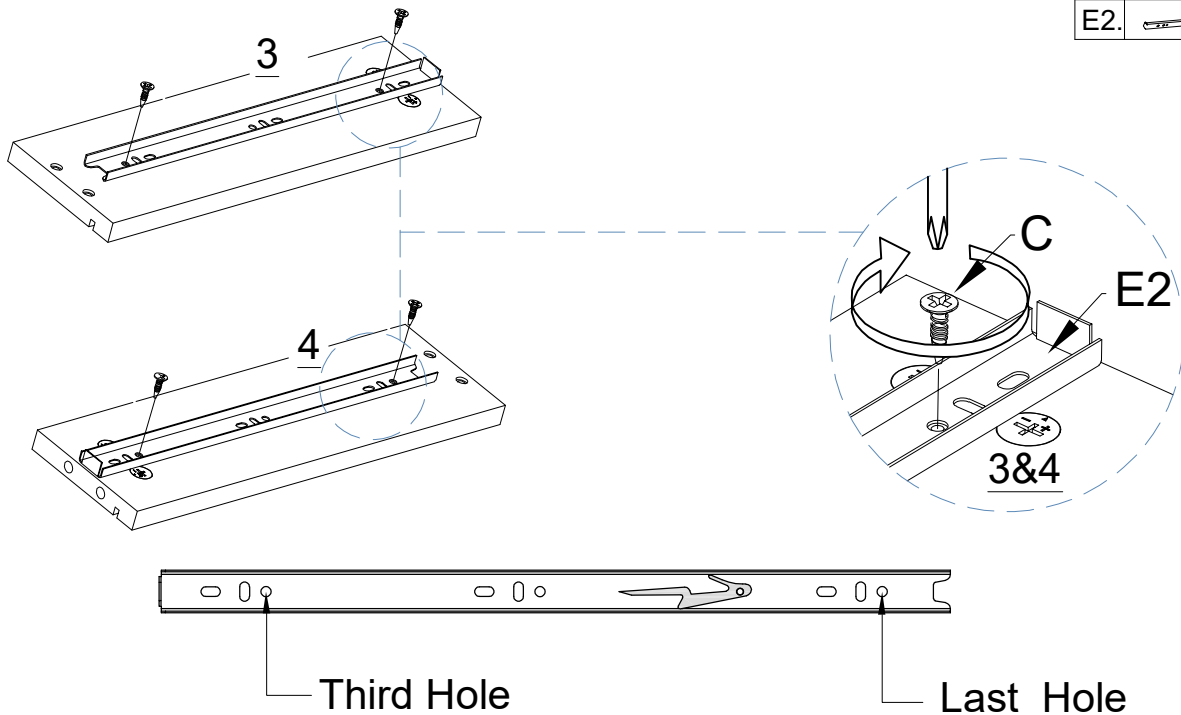
HARDWARE NEEDED:		
B.		12 PCS



DRAWER X3

STEP 24

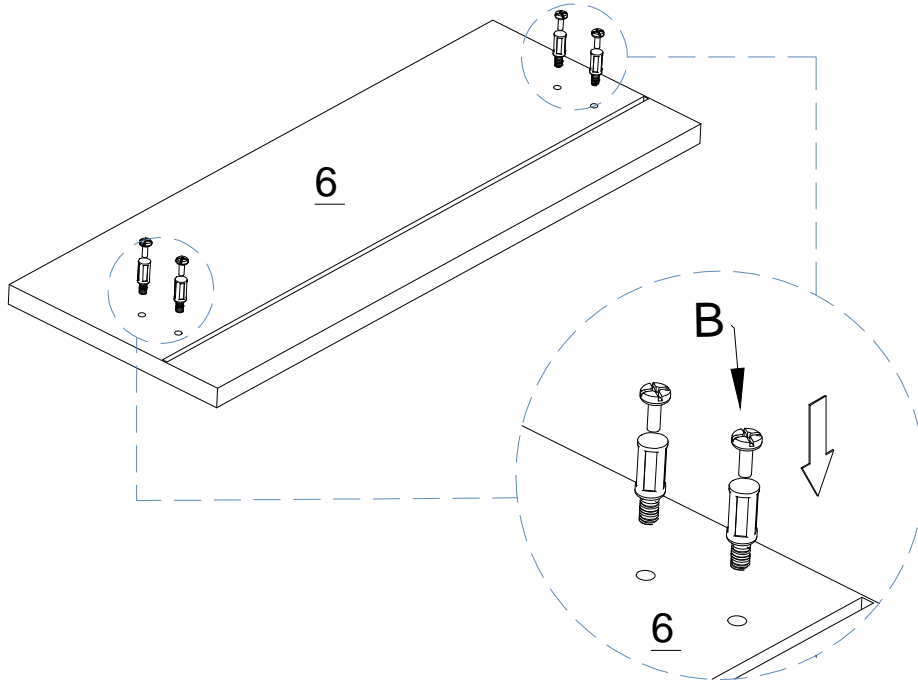
HARDWARE NEEDED:		
C.		12 PCS
E2.		6 PCS



DRAWER X3

STEP 25

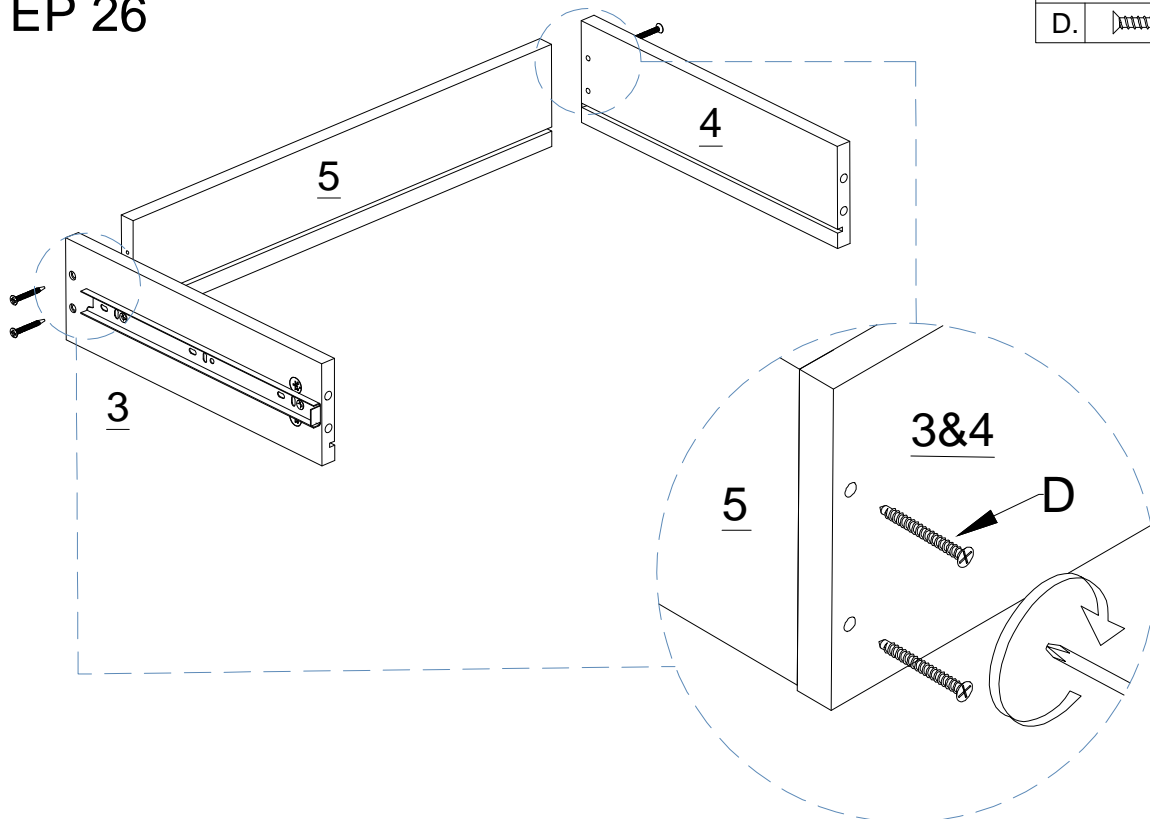
HARDWARE NEEDED:		
B.		12 PCS



DRAWER X3

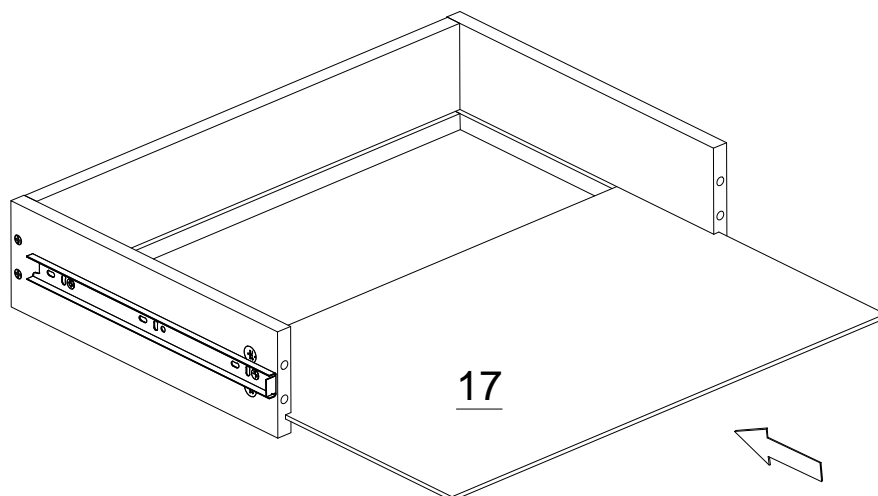
STEP 26

HARDWARE NEEDED:		
D.		12 PCS



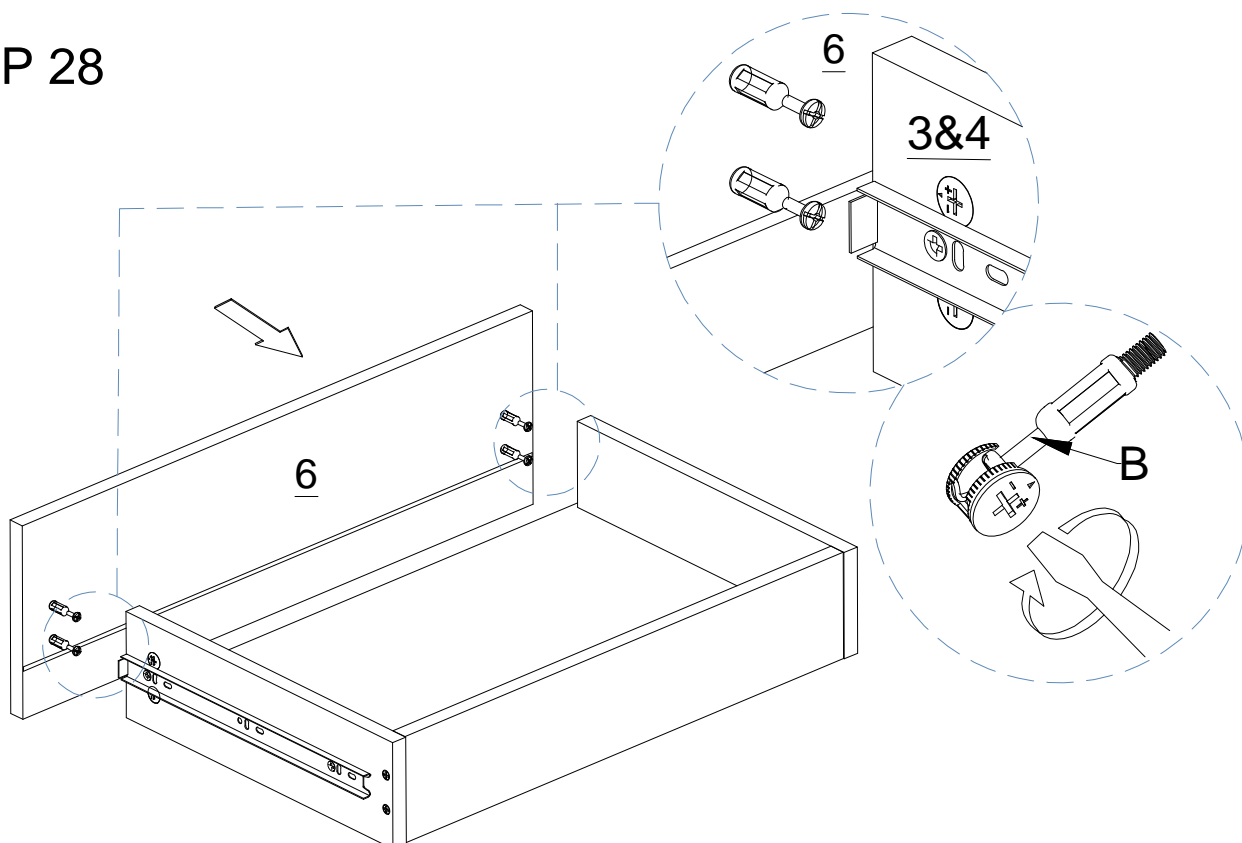
DRAWER X3

STEP 27



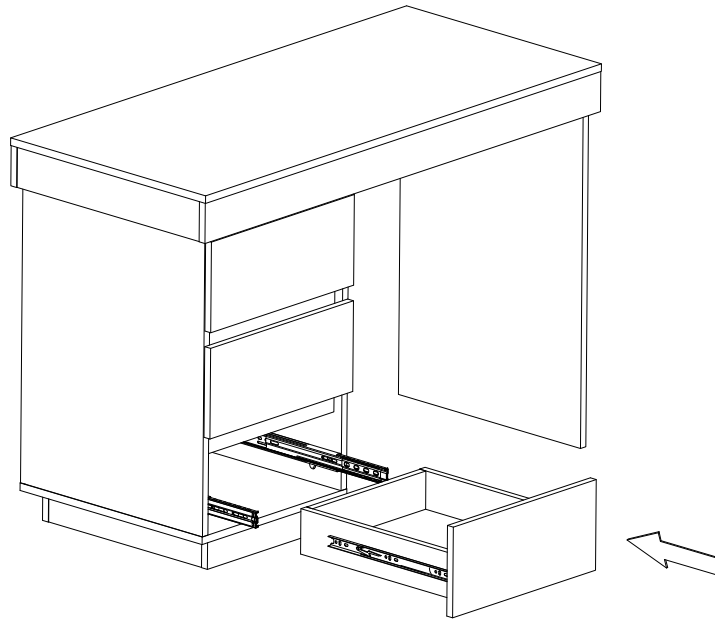
DRAWER X3

STEP 28





DRAWER X3

STEP 29



DRAWER X3

STEP 29

HARDWARE NEEDED:		
I.		6 PCS
C.		6 PCS

