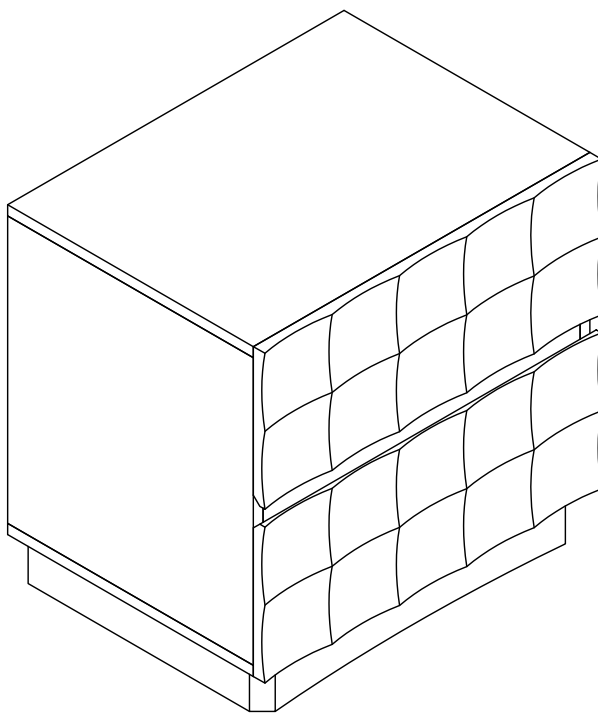


Assembly Instructions

Cayla Series



Lifely*

Product Code

CLA-BT Cayla Bedside Table

Dimensions(W x D x H)

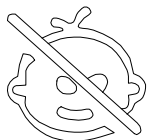
522x400x510mm

Important

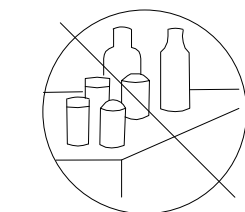
Please read through instruction carefully
Before assembly and keep for future reference.

For our full catalogue of assembly instructions,
Visit: lifely.com.au/assembly.

Important Tips and Maintenance



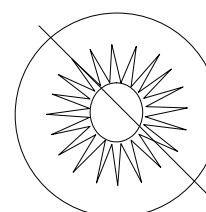
1. Keep children and animals away from working area as smaller parts may cause choking if swallowed.



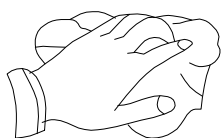
2. Never place liquids or anything damp upon furniture as it will mark. Ensure a coaster or running is beneath.



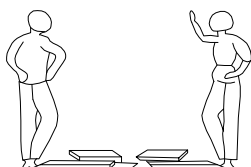
3. Never use ammonia based cleaning products as it will damage the finish.



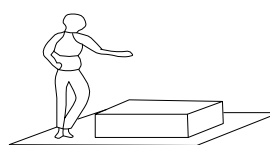
4. To avoid fading, keep furniture out of direct sunlight.



5. Use a soft or damp cloth (dry cloth) when wiping or cleaning surfaces.



6. Two person are required.



7. Lay a soft mat down to protect the furniture piece before and during assembly.

So your relationship is strong. But is it flat-pack furniture strong? Unless you're an aerospace engineer, assembling furniture can be slightly stressful. We recommend meditating quietly, pouring yourself a herbal tea (or slightly less herbal wine) and tackling things one step at a time. If you feel a passive aggressive remark coming on, try a compliment instead. E.g. "You're so good looking"

This 12-step assembly should take around 50 minutes with an Allen Key - or 45 minutes with an electric drill. Godspeed.

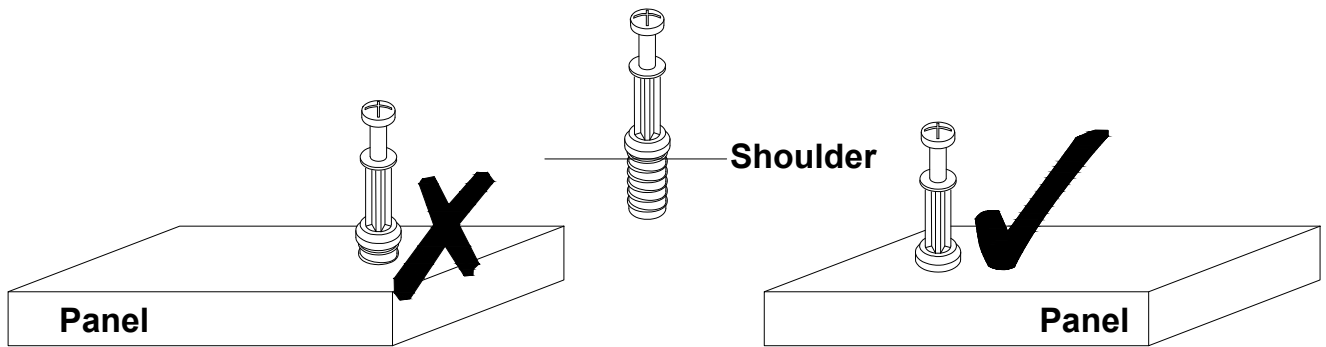
Designed for everyday

Before Assembly

Tips Before Your Start:

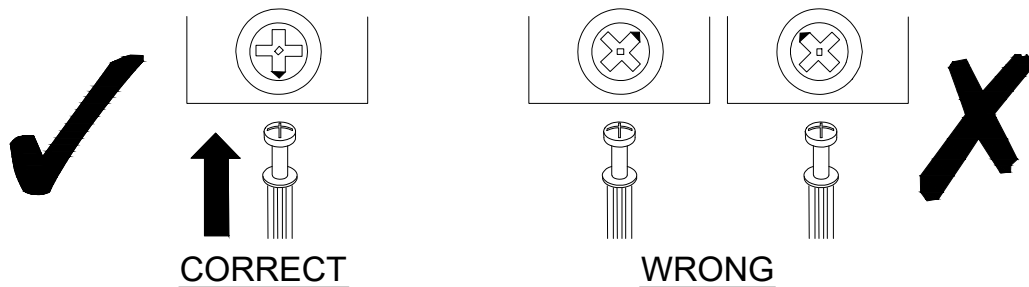
- Remove all wrapping material, including staples & packing straps before you start to assemble.
- DO NOT tighten all screws and bolts until completely assembled.
- Keep all hardware parts out of reach of children.

QUICKFIT



Tighten quickfit until shoulder is flush with panel. Do not overtighten or undertighten.

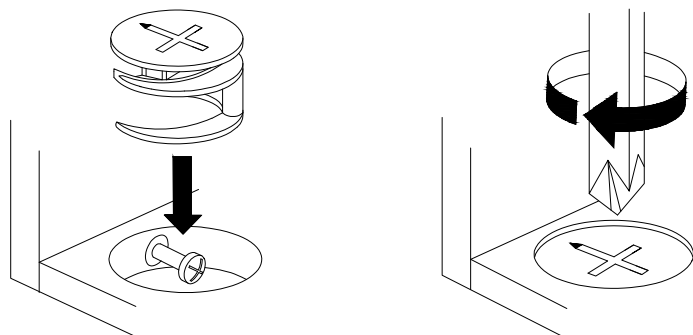
CAM LOCK



When fitting cam lock, ensure starting position is correct before you insert connecting quickfit.

Quickfit head should be in the centre of the cam lock when the two panels are joined.

Cam lock should be inserted before quickfit.



Turn cam lock clockwise to tighten.

Component Hardware

Please check you have all the fittings part or tools are listed in below.

No. A

Quantity:16Pcs
Cam Lock Dowel
8*28mm



No. B

Quantity:12Pcs
Dowel
8*30mm



No. C

Quantity:16Pcs
Cam
φ15



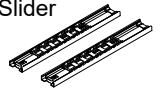
No. D

Quantity:24Pcs
Screw
3.5*15mm



No. E

Quantity:2Sets
Drawer Slider
10"



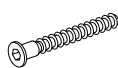
No. F

Quantity:8 Pcs
Screw
4*35mm



No. G

Quantity:4Pcs
Screw
M6*50



No. H

Quantity:1 Pcs
Allen Key
4#



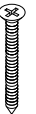
No. I

Quantity:4 Pcs
Plastic Wedge
3.5*15mm



No. J

Quantity:6Pcs
Screw
4*50mm



No. K

Quantity:4 Pcs
Foot Nail



No. L

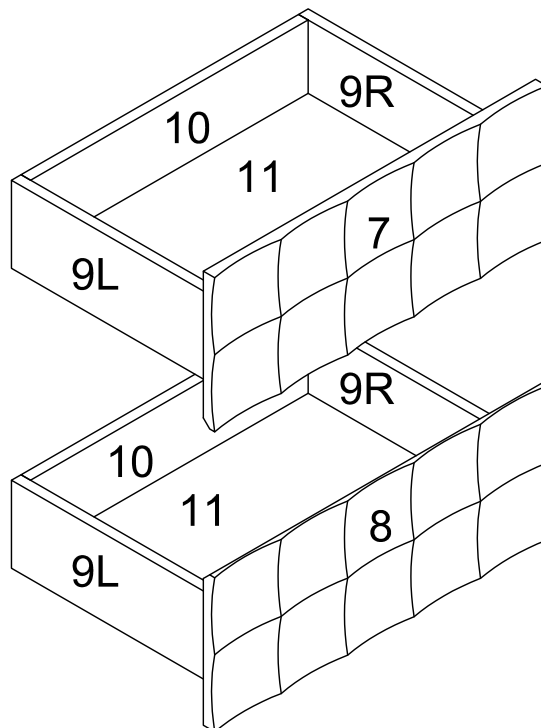
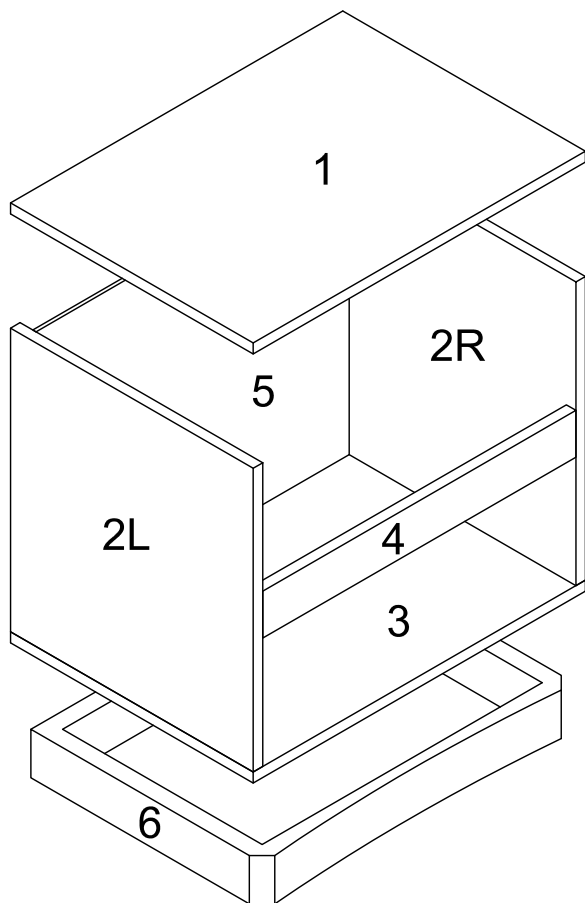
Quantity:16Pcs
Sticker



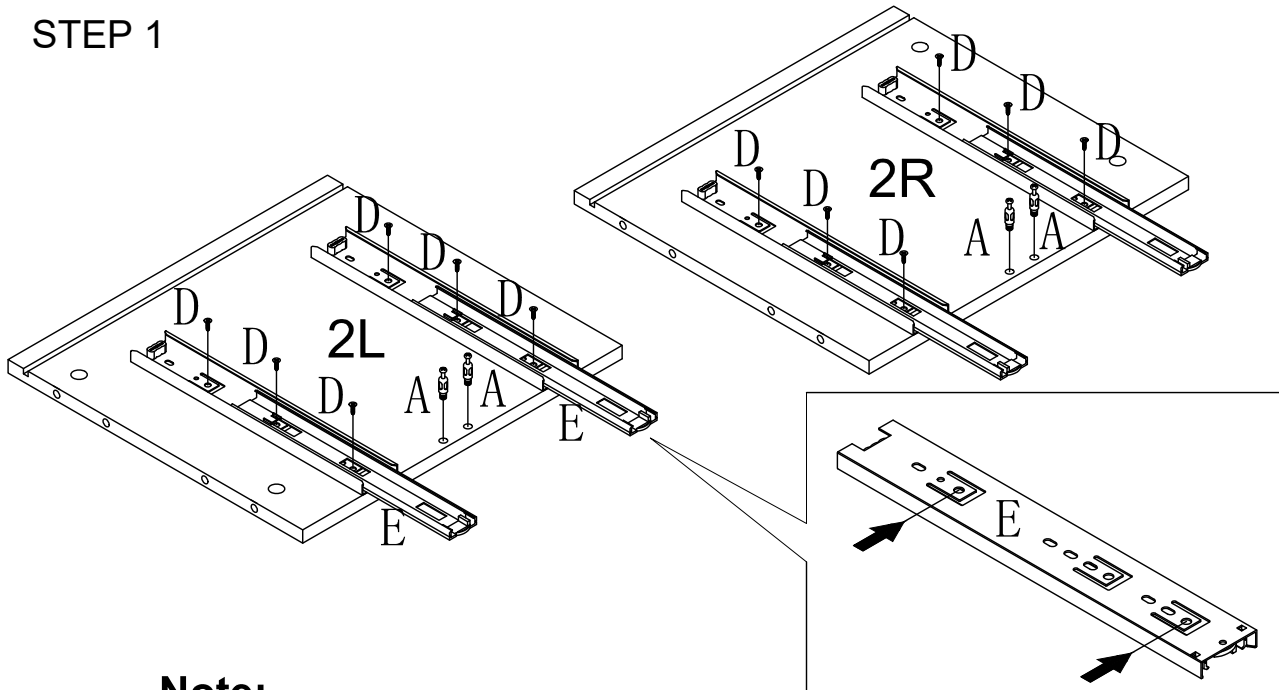
Component Panels & part List

Please check you have all the panels are listed below.

- | | | | |
|----------------------------|----|-----------------------------|----|
| 1. TOP PANEL | x1 | 7. DRAWER FRONT | x1 |
| 2L. SIDE PANEL-LEFT | x1 | 8. DRAWER FRONT | x1 |
| 2R. SIDE PANEL-RIGHT | x1 | 9L. DRAWER SIDE_LEFT | x2 |
| 3. BOTTOM PANEL | x1 | 9R. DRAWER SIDE_RIGHT | x2 |
| 4. SHIRT PANEL | x1 | 10. DRAWER BACK | x2 |
| 5. BACK PANEL | x1 | 11. DRAWER BOTTOM | x2 |
| 6. BASE | x1 | | |



STEP 1



Note:

This is the drawer rail back side for holes position reference only.

No. A

Quantity:4Pcs
Cam Lock Dowel
8*28mm



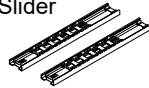
No. D

Quantity:12Pcs
Screw
3.5*15mm

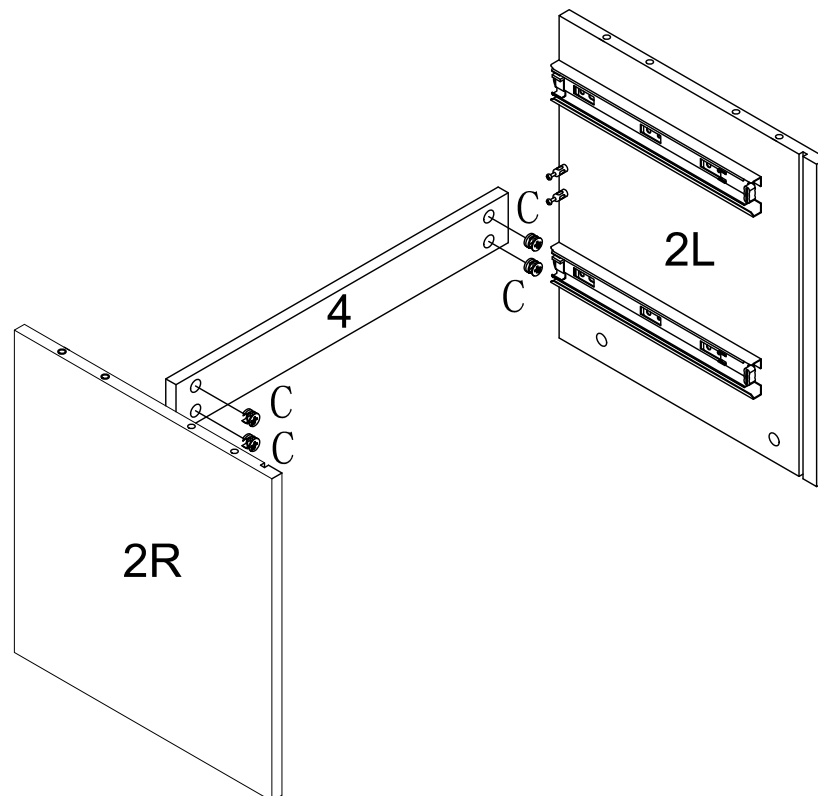


No. E

Quantity:2Sets
Drawer Slider
10"



STEP 2

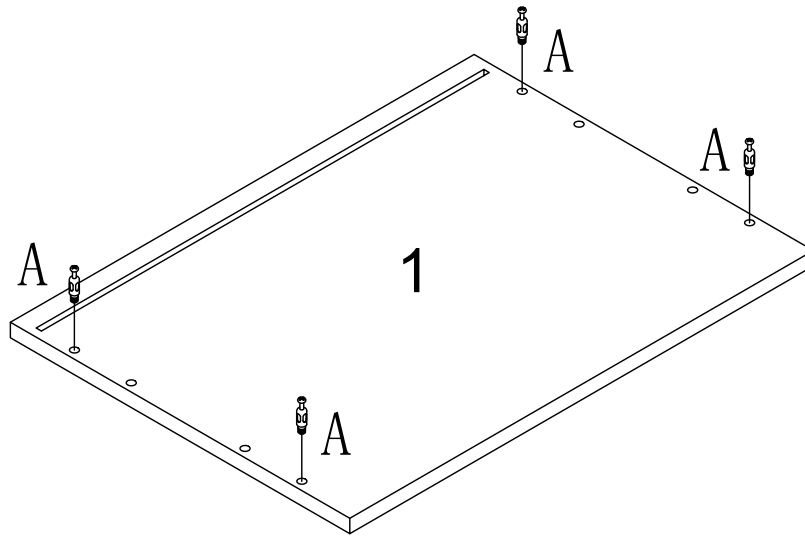


No. C

Quantity:4Pcs
Cam
φ15



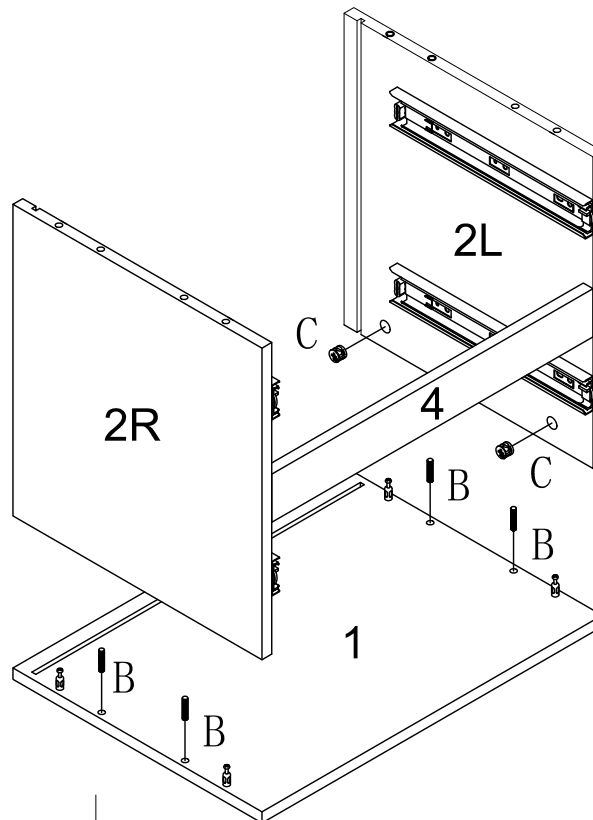
STEP 3



No. A
Quantity: 4Pcs
Cam Lock Dowel
8*28mm



STEP 4



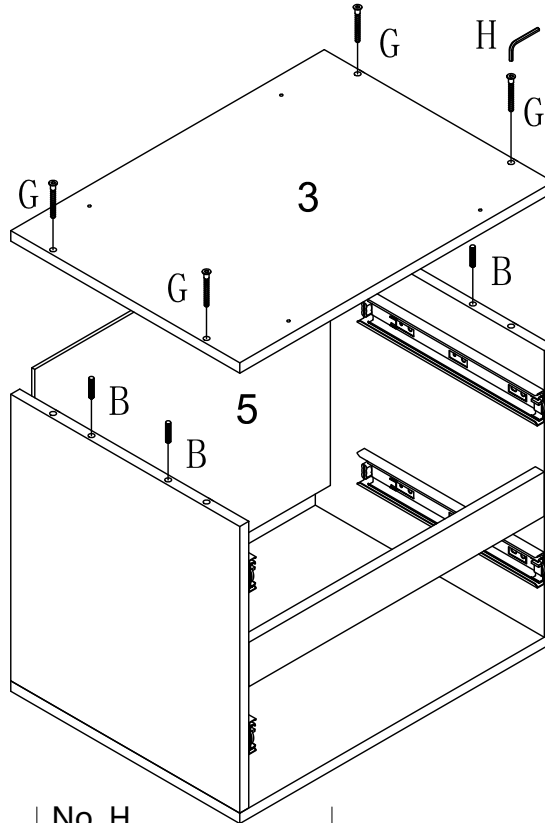
No. B
Quantity: 4Pcs
Dowel
8*30mm



No. C
Quantity: 4Pcs
Cam
φ15



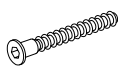
STEP 5



No. B
Quantity:4Pcs
Dowel
8*30mm



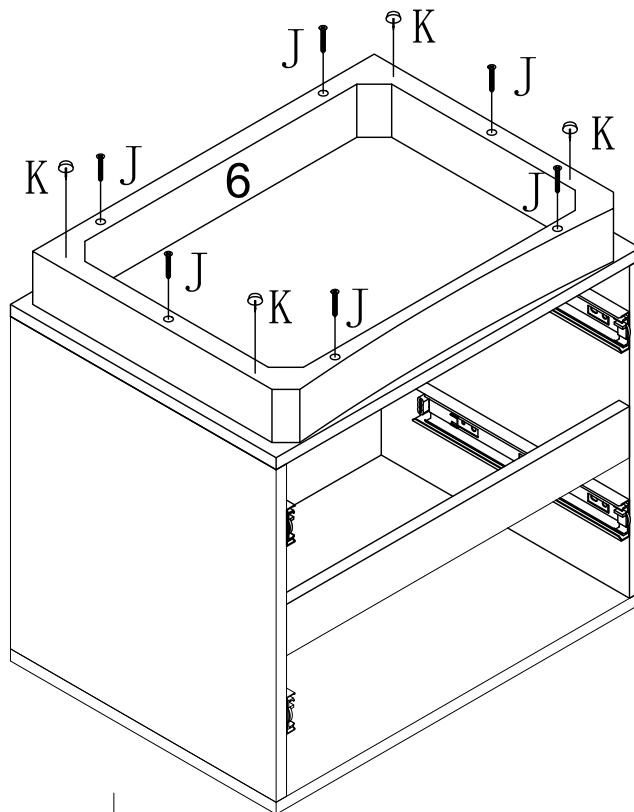
No. G
Quantity:4Pcs
Screw
M6*50



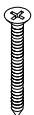
No. H
Quantity:1 Pcs
Allen Key
4#



STEP 6



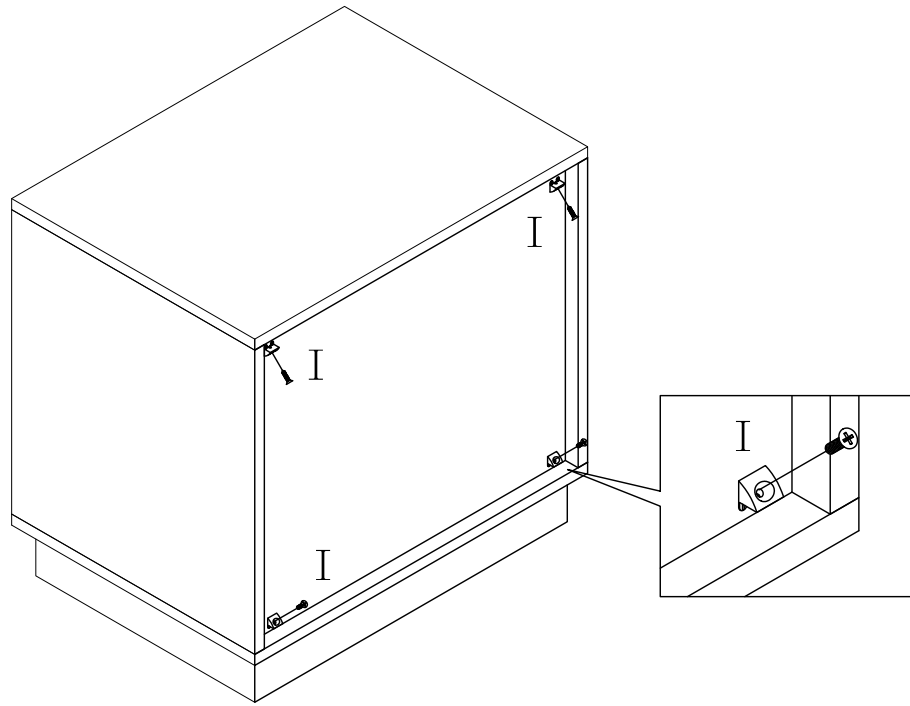
No. J
Quantity:6Pcs
Screw
4*50mm



No. K
Quantity:4 Pcs
Foot Nail



STEP 7

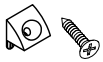


No. I

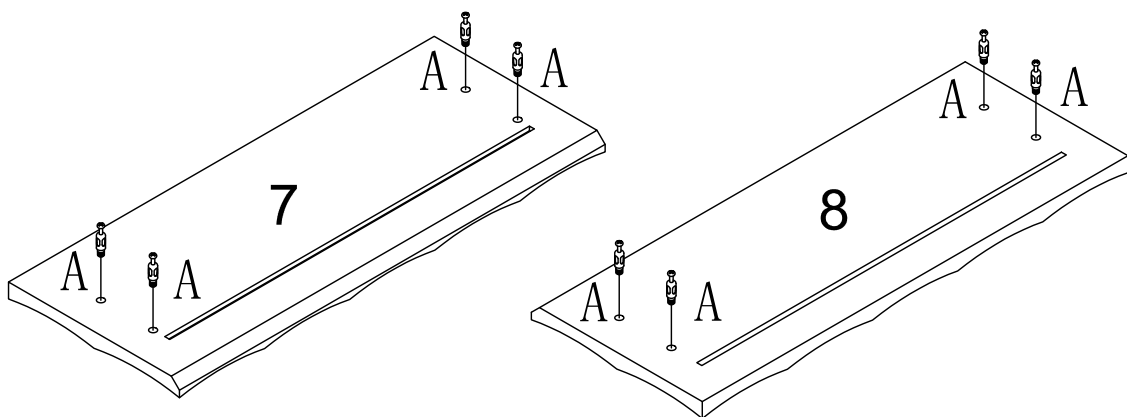
Quantity:4 Pcs

Plastic Wedge

3.5*15mm



STEP 8



No. A

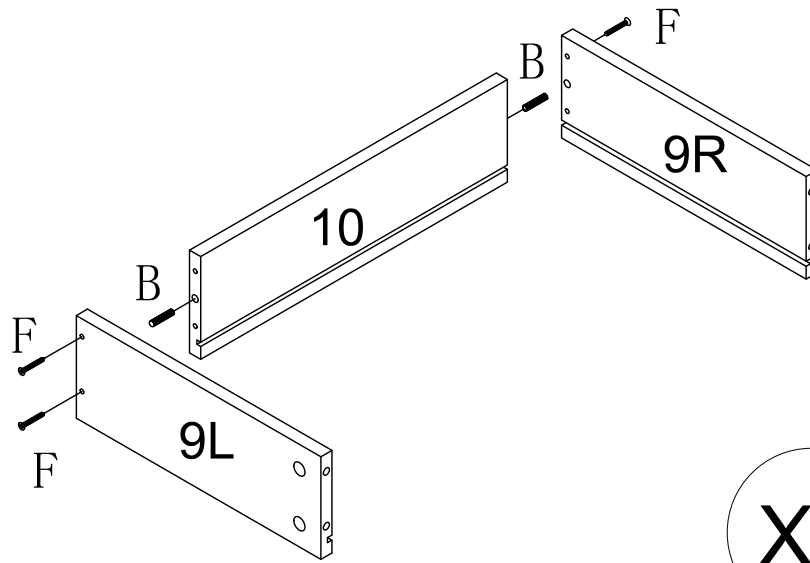
Quantity:8Pcs

Cam Lock Dowel

8*28mm



STEP 9



X2

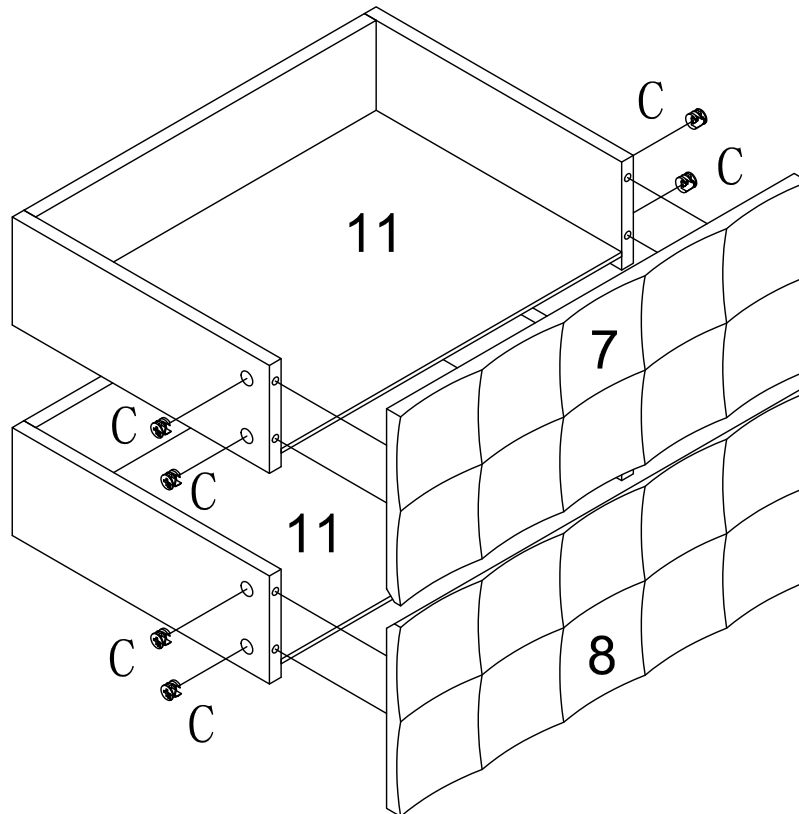
No. B
Quantity:4Pcs
Dowel
8*30mm



No. F
Quantity:8 Pcs
Screw
4*35mm



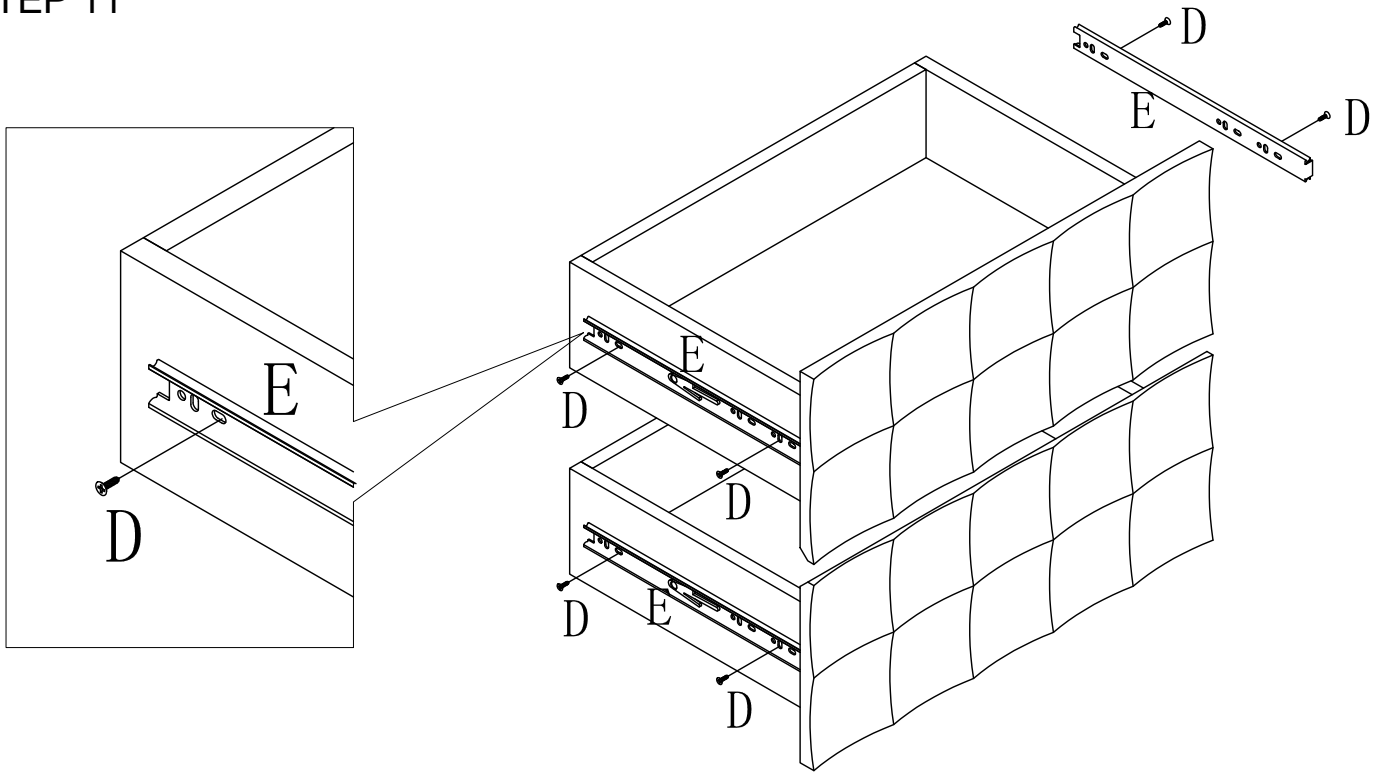
STEP 10



No. C
Quantity:8Pcs
Cam
φ15



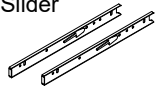
STEP 11



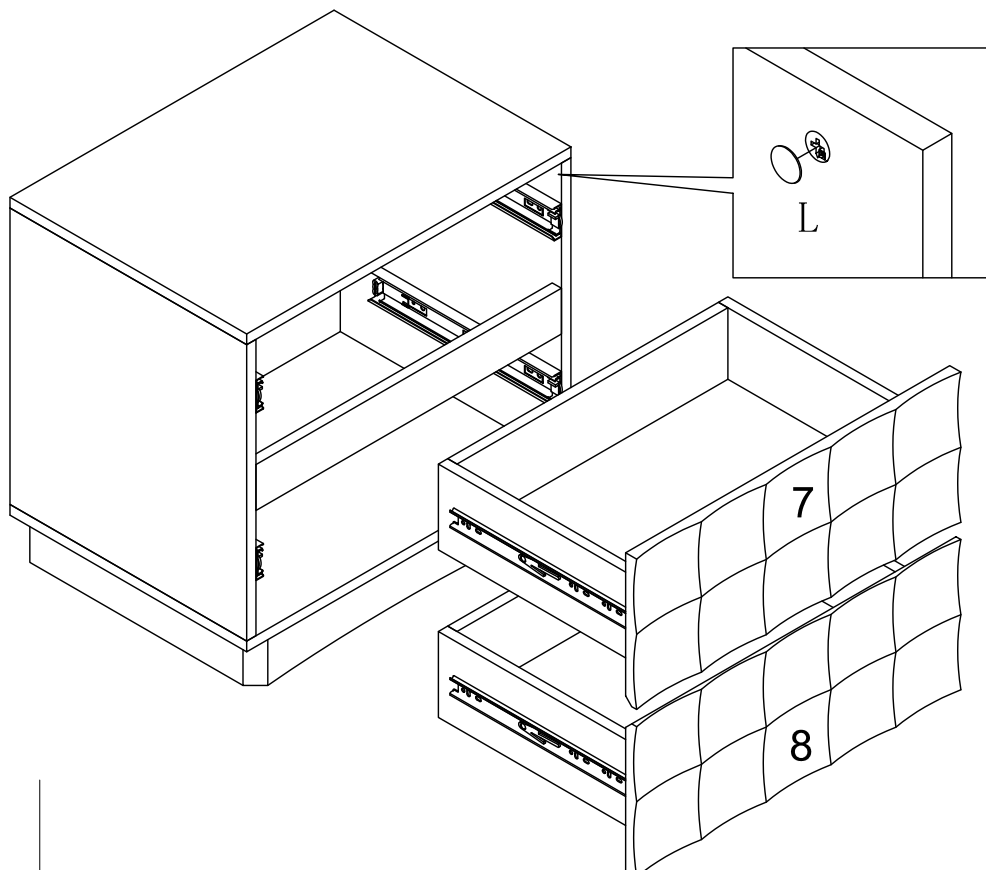
No. D
Quantity: 8Pcs
Screw
3.5*15mm



No. E
Quantity: 2Sets
Drawer Slider
10"



STEP 12



No. L
Quantity: 16Pcs
Sticker



lifely.com.au

Great job. You're done!

Don't forget to share how it looks in
your space and tag us on Instagram.
@lifelyhome#homewithlifely!