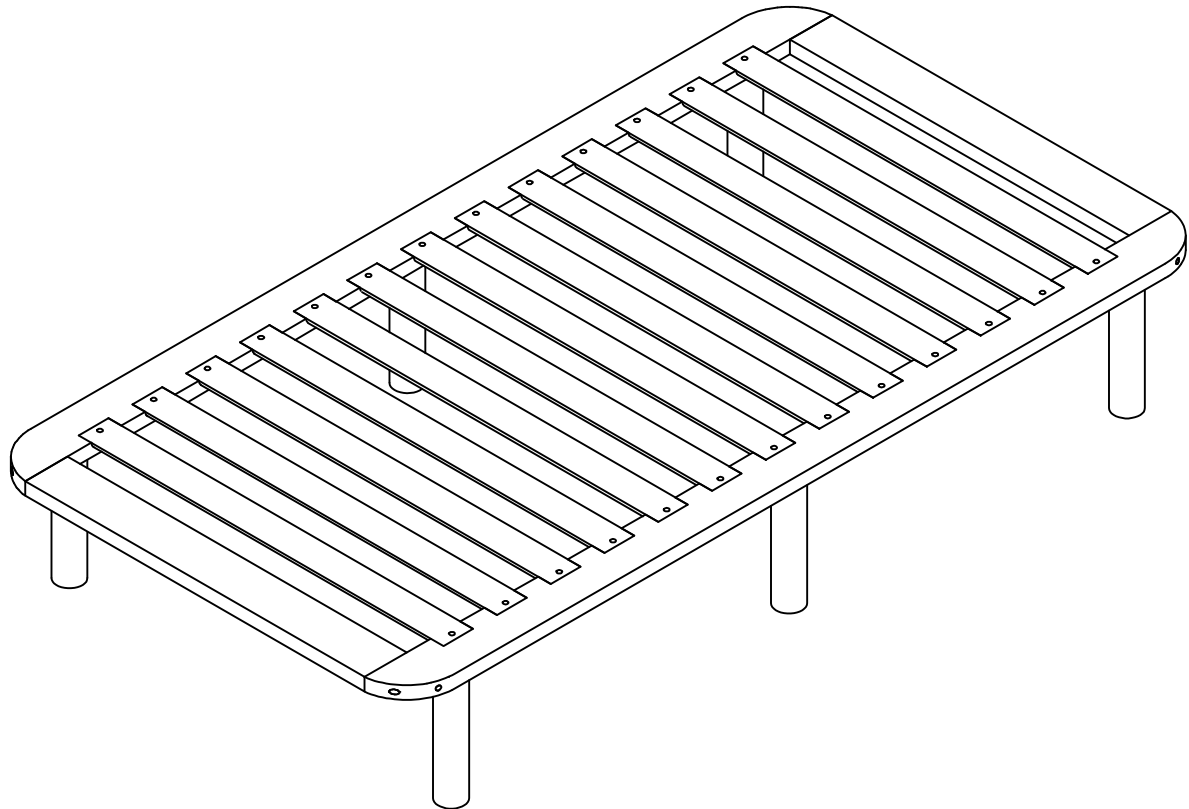


# Assembly Instructions

Cali Series



# Lifely\*

## Product Code

CL-WB102-S Cali Wooden Bed Base

## Dimension (W x D x H)

102x193x30cm

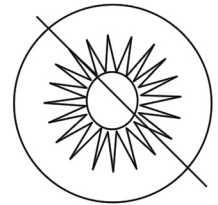
---

## Important

Please read through instruction carefully  
Before assembly and keep for future reference.

For our full catalogue of assembly instructions,  
Visit: [lifely.com.au/assembly](https://lifely.com.au/assembly).

## Important Tips and Maintenance



1.  
Keep children and animals away from working area as smaller parts may cause choking if swallowed.

2.  
Never place liquids or anything damp upon furniture as it will mark. Ensure a coaster or running is beneath.

3.  
Never use ammonia based cleaning products as it will damage the finish.

4.  
To avoid fading, keep furniture out of direct sunlight.



5.  
Use a soft or damp cloth (dry cloth) when wiping or cleaning surfaces.



6.  
Two person are required.



7.  
Lay a soft matt down to protect the furniture piece before and during assembly.

So your relationship is strong. But is it flat-pack furniture strong? Unless you're an aerospace engineer, assembling furniture can be slightly stressful. We recommend meditating quietly, pouring yourself a herbal tea (or slightly less herbal wine) and tackling things one step at a time. If you feel a passive aggressive remark coming on, try a compliment instead .E.g."You're so good looking".

This 4-Step assembly should take around 25 minutes with an Allen Key-or 15 minutes with an electric drill. Godspeed.

Designed for everyday

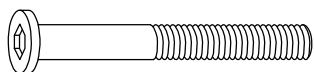
## Component Hardware

Please check you have all the fittings  
part or tools are listed in below.

**No. A**

Quantity: 4Pcs

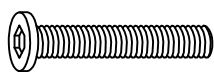
Screw M8x120mm



**No. B**

Quantity: 4Pcs

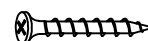
Screw M8x70mm



**No. C**

Quantity: 26Pcs

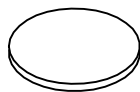
Screw M4x25mm



**No. D**

Quantity: 6Pcs

Felt



**No. E**

Quantity: 1Pc

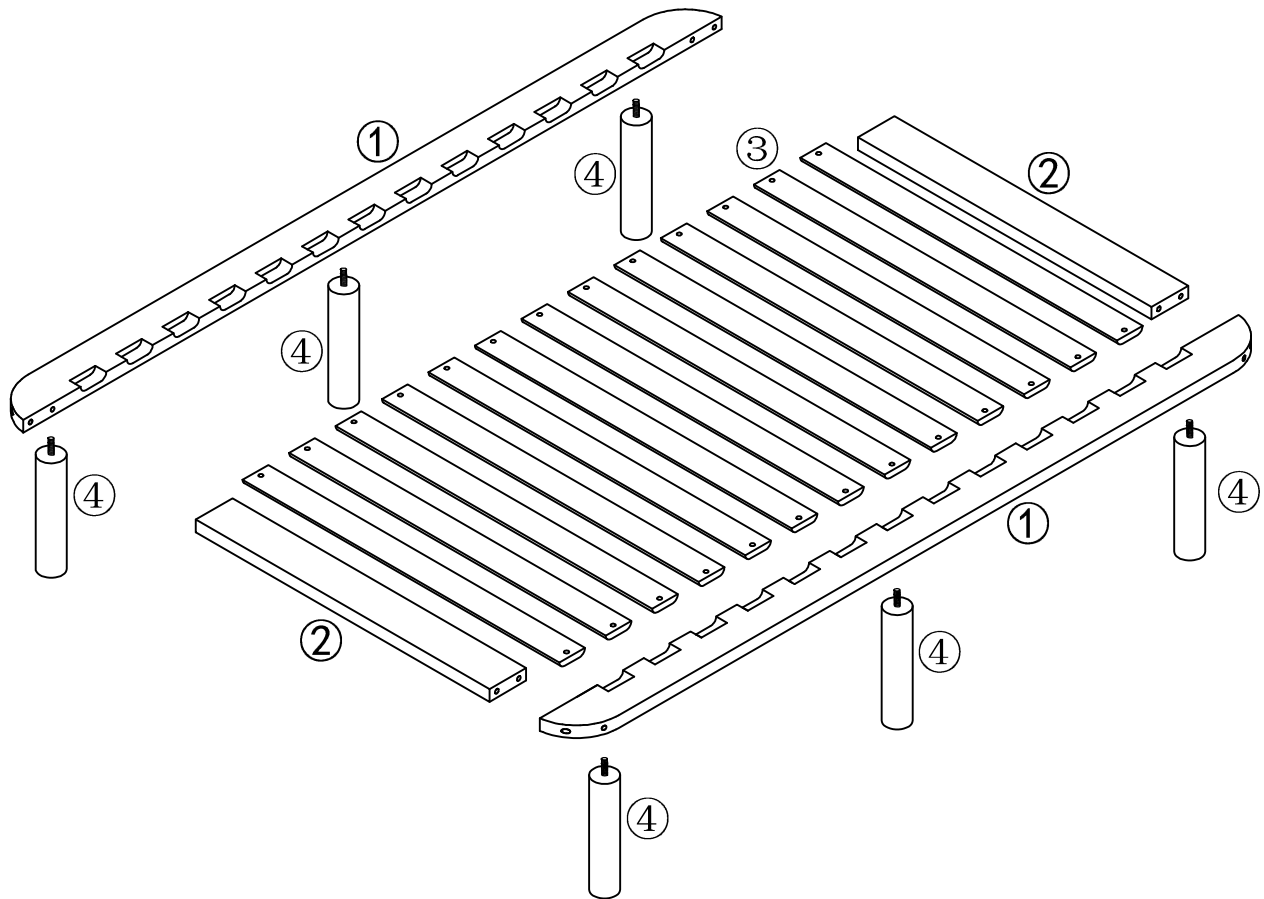
Allen Key N5



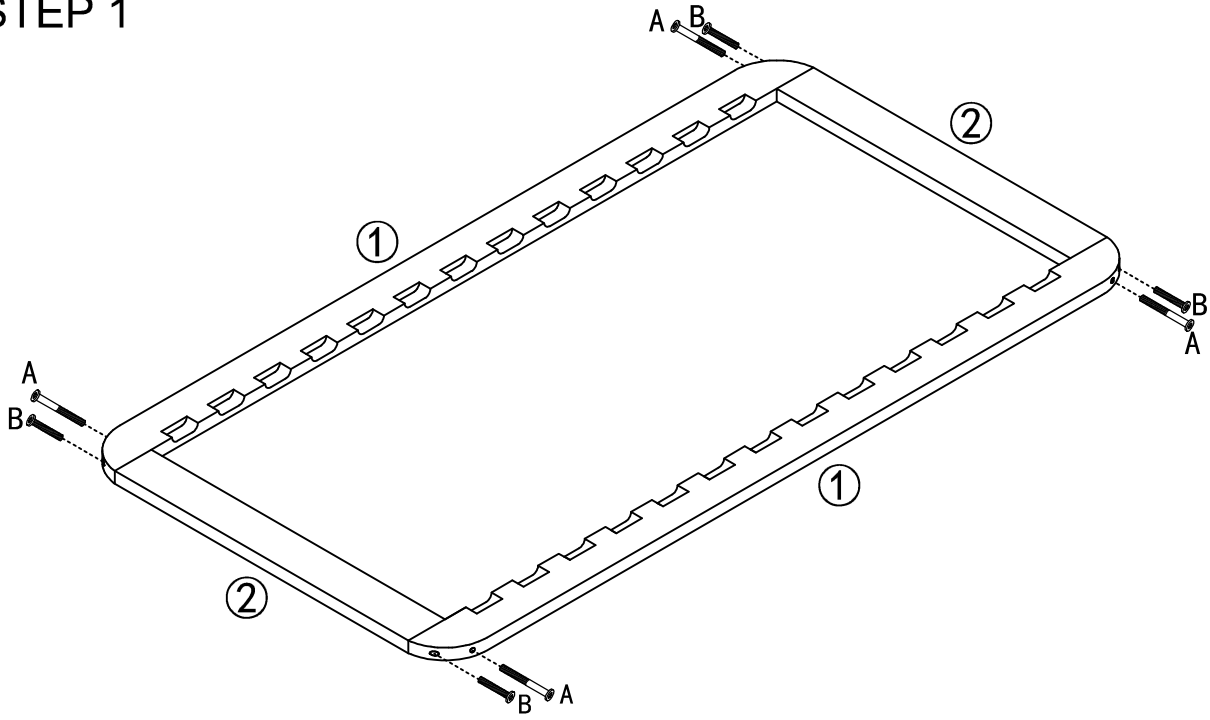
# Component Part List

Please check you have all the parts are listed below.

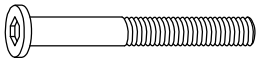
- 1. Side rail -----x2
- 2. End/Front rail -----x2
- 3. Bed slats -----x13
- 4. Bed legs -----x6



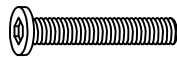
# STEP 1



No. A  
Quantity: 4Pcs  
Screw M8x120mm



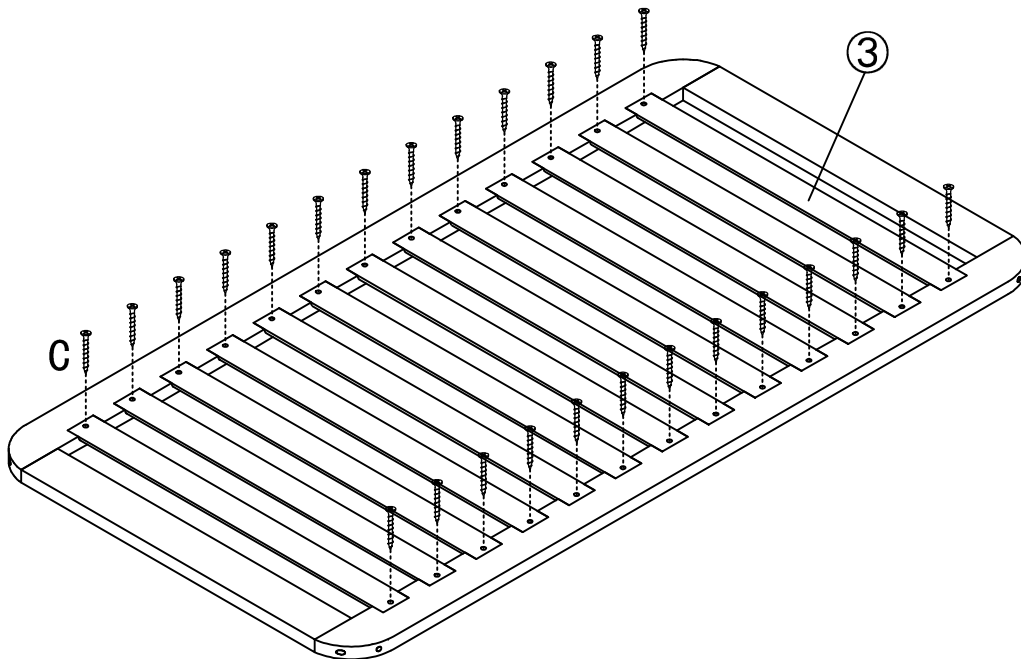
No. B  
Quantity: 4Pcs  
Screw M8x70mm



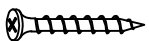
No. E  
Quantity: 1Pc  
Allen Key N5



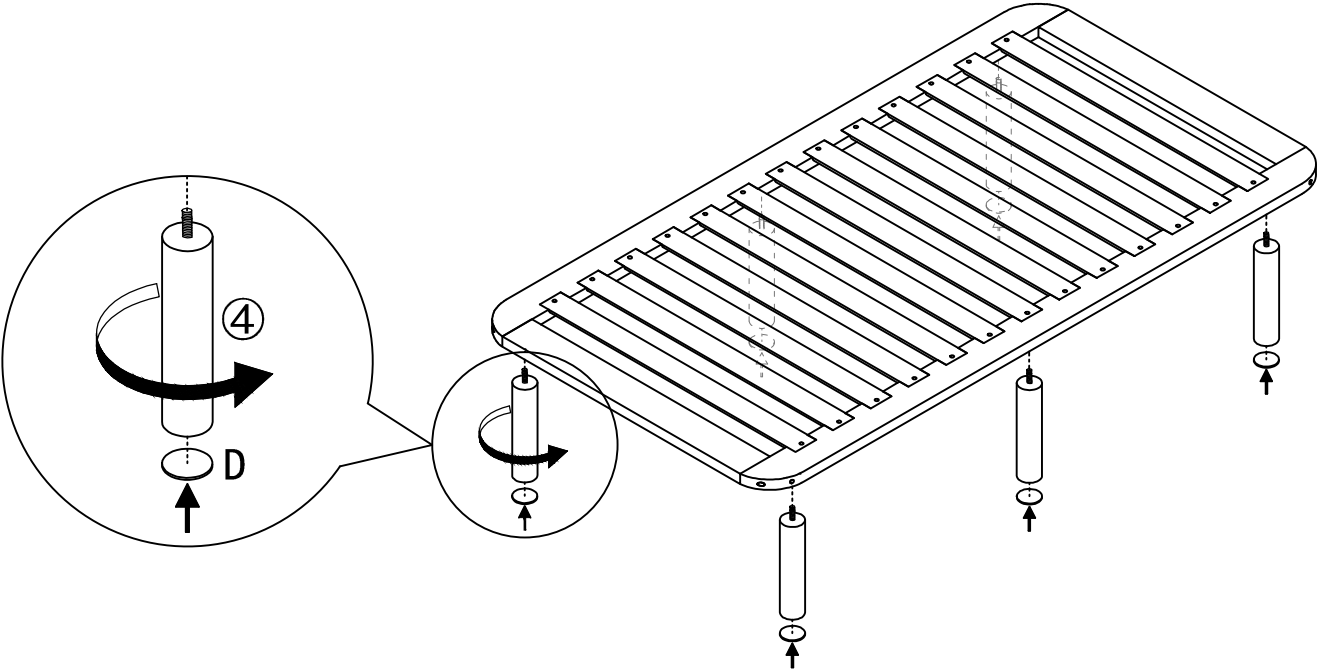
# STEP 2



No. C  
Quantity: 26Pcs  
Screw M4x25mm



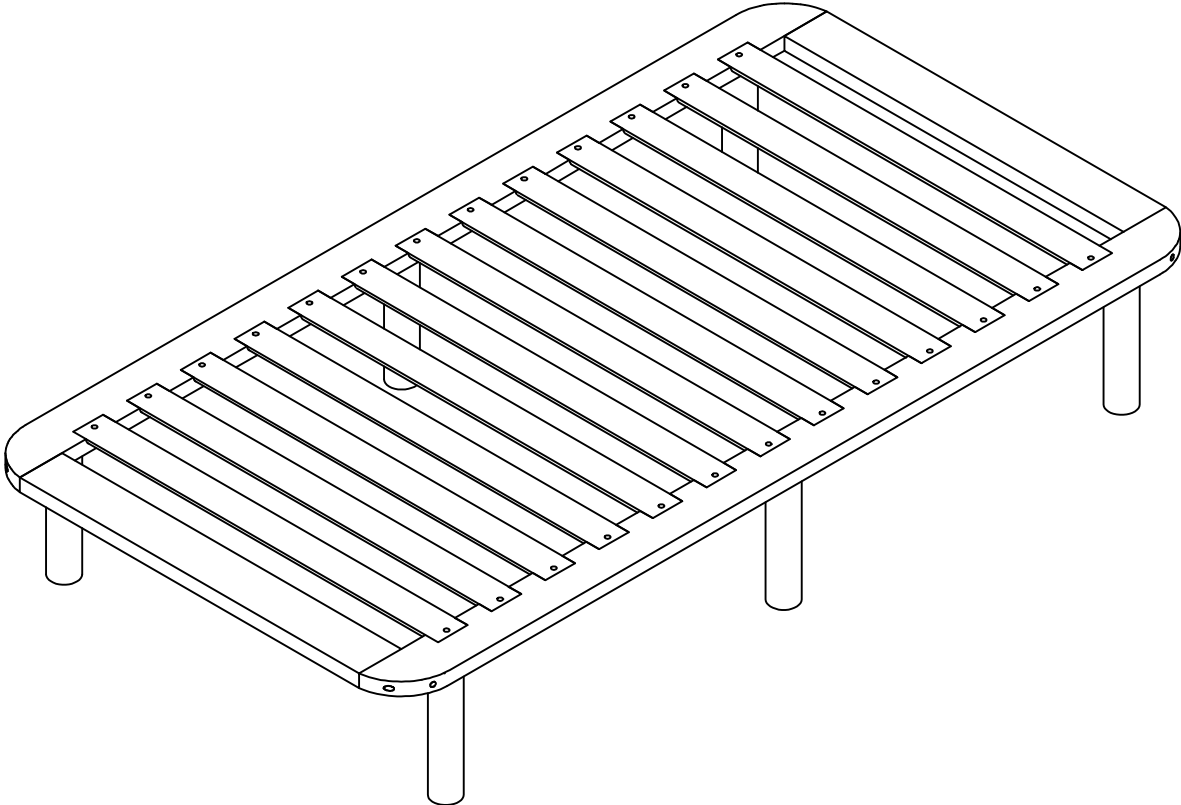
# STEP 3



No. D  
Quantity: 6Pcs  
Felt



# STEP 4



Great job. You're done!

Don't forget to share how it looks in  
your space and tag us on Instagram.

@lifelyhome#homewithlifely!