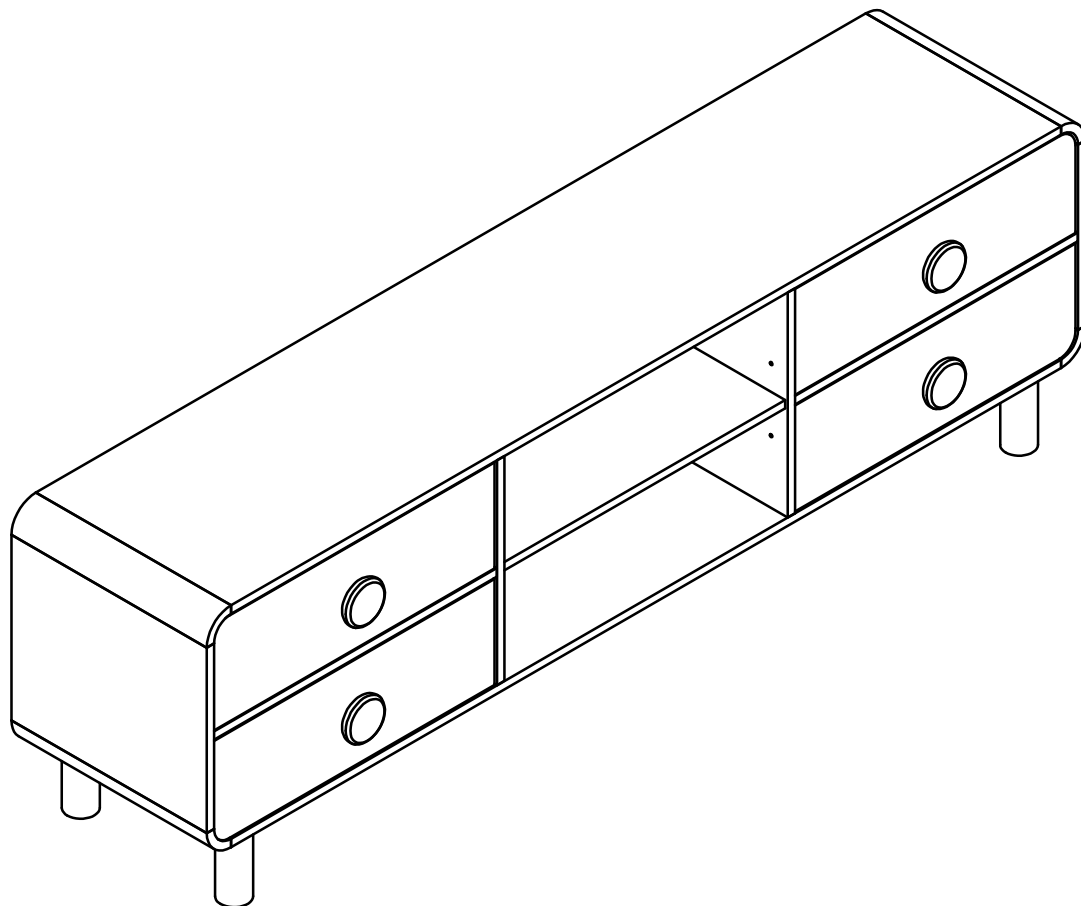


Assembly Instructions

Button Series



Lifely*

Product Code

BTN-TV180-NAL Button TV Stand

Dimensions(W x D x H)

1800*400*560mm

Important

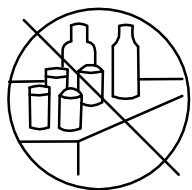
Please read through instruction carefully
Before assembly and keep for future reference.

For our full catalogue of assembly instructions,
Visit: lifely.com.au/assembly.

Important Tips and Maintenance



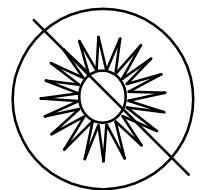
1. Keep children and animals away from working area as smaller parts may cause choking if swallowed.



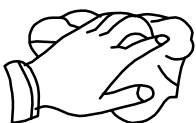
2. Never place liquids or anything damp upon furniture as it will mark. Ensure a coaster or running is beneath.



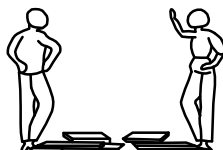
3. Never use ammonia based cleaning products as it will damage the finish.



4. To avoid fading, keep furniture out of direct sunlight.



5. Use a soft or damp cloth (dry cloth) when wiping or cleaning surfaces.



6. Two person are required.



7. Lay a soft matt down to protect the furniture piece before and during assembly.

So your relationship is strong. But is it flat-pack furniture strong? Unless you're an aerospace engineer, assembling furniture can be slightly stressful. We recommend meditating quietly, pouring yourself a herbal tea (or slightly less herbal wine) and tackling things one step at a time. If you feel a passive aggressive remark coming on, try a compliment instead. E.g. "You're so good looking".

This 27-step assembly should take around 60 minutes with an Allen key – or 40 minutes with an electric drill. Godspeed.

Component Hardware

Please check you have all the fittings
part or tools are listed in below.

No. A
Quantity:40Pcs
Dowel
8*30mm



No.B
Quantity:60Pcs
Cam Bolt
φ5*35



No. C
Quantity:60Pcs
Canm Nut
φ15*11



No. D
Quantity:60Pcs
Disc sticker
φ30



No. E
Quantity:5Pcs
Iron Sheet



No. F
Quantity:20Pcs
Screw
φ3.5*14



No. G
Quantity:20Pcs
Screw
φ4*32



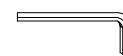
No.H
Quantity:4Pcs
Shelf Support Pin
φ5*17



No.I
Quantity:8Pcs
Plastic cover
φ8*6



No. J
Quantity:1Pc
Allen key



No. K
Quantity:48Pcs
Screw
Ø3*12



No. L
Quantity:4Pcs
Slider



No. M
Quantity:4Pcs
Screw
Ø4x22mm



No. N
Quantity:4Pcs
handle



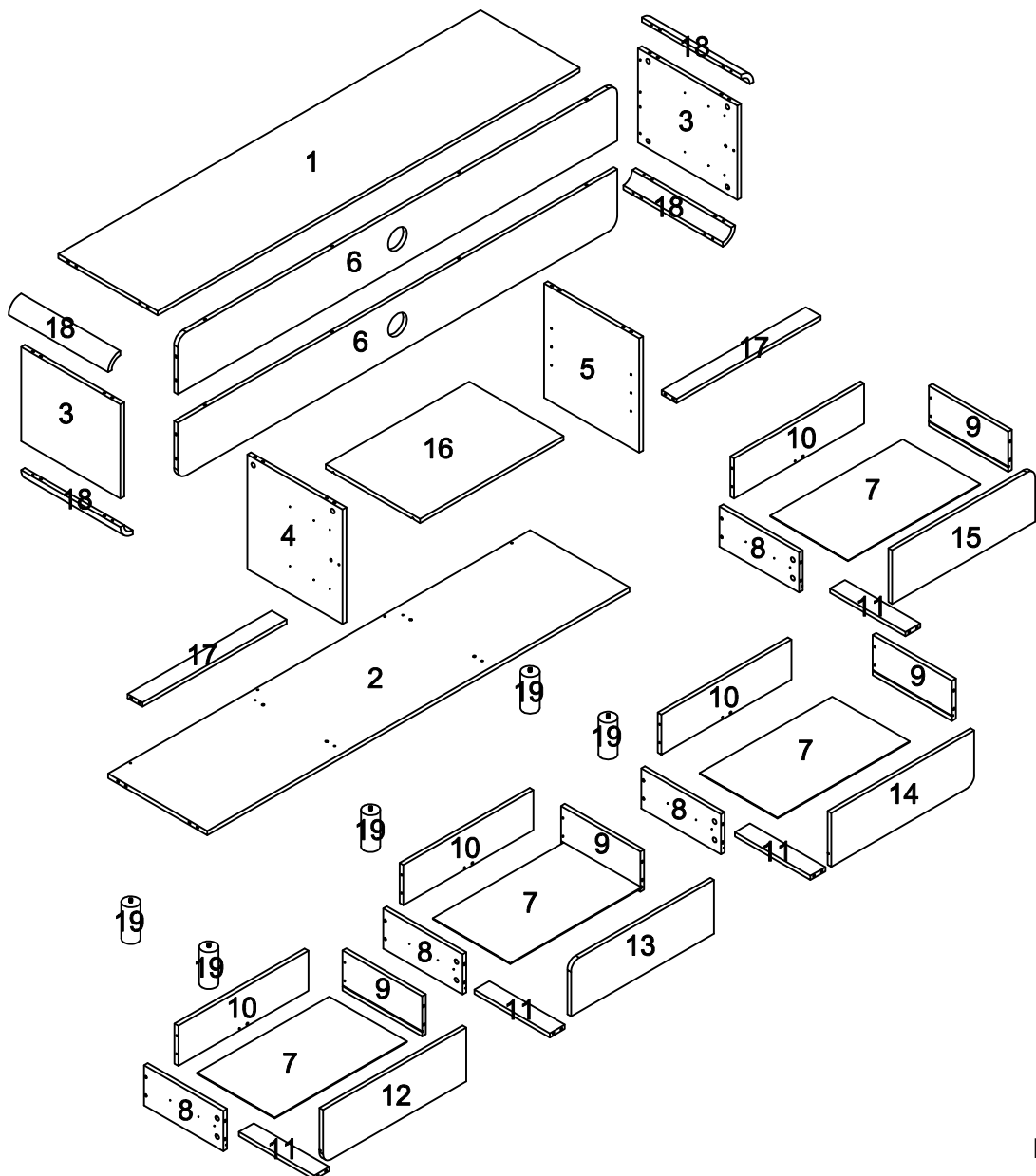
No. O
Quantity:4Pcs
Bolt
M6*50



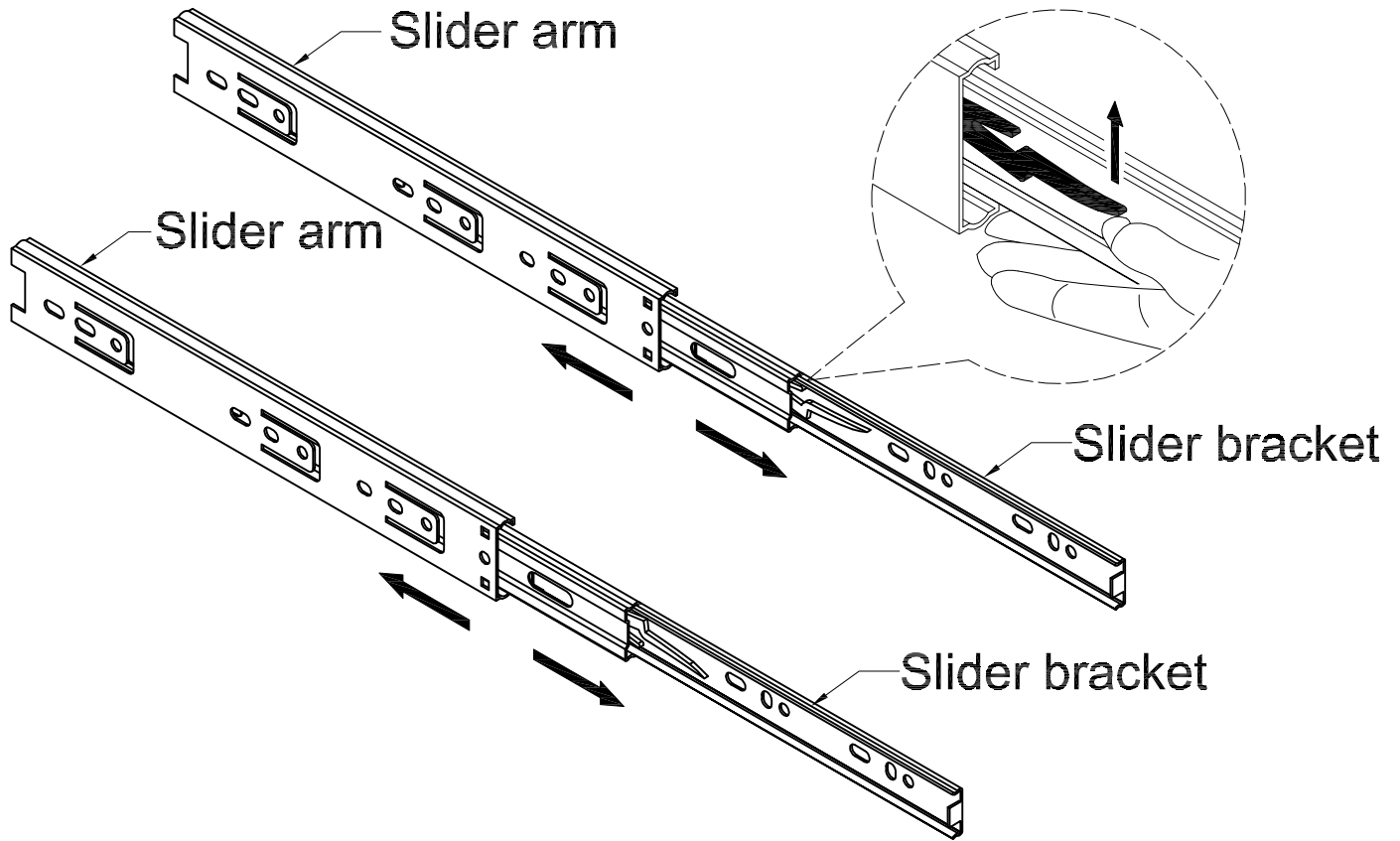
Component Panels & part List

Please check you have all the panels are listed below.

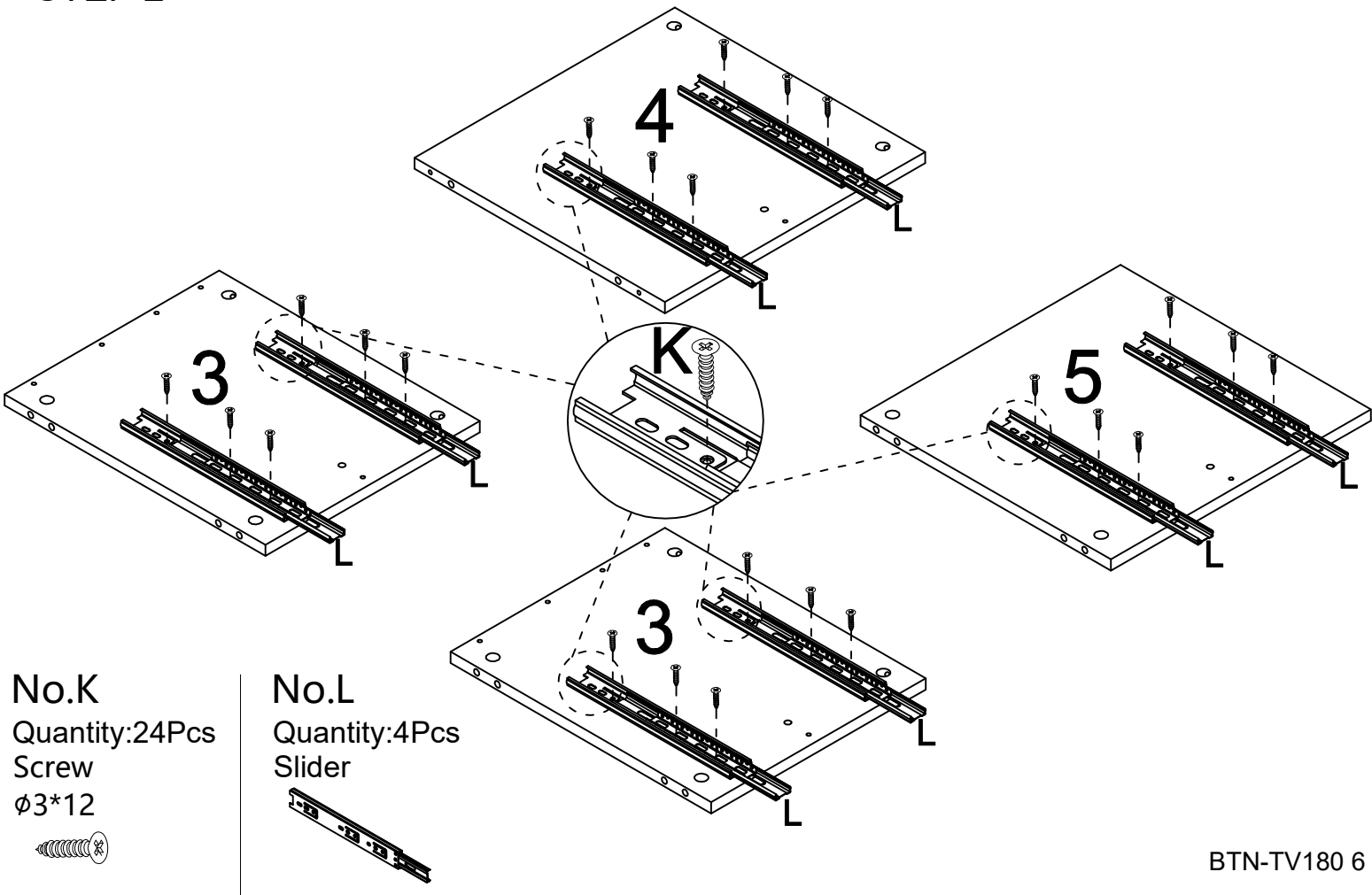
- | | | | |
|--------------------------------|-------------|------------------------------|------------|
| 1. Top panel | x1 Ctn(1/2) | 10. Drawer back Panel | x4Ctn(2/2) |
| 2. Bottom panel | x1 Ctn(1/2) | 11. Bottom bracket strip | x4Ctn(2/2) |
| 3. Side panel | x2 Ctn(1/2) | 12. Lower left draw surface | x1Ctn(2/2) |
| 4. Support Panel-Left | x1 Ctn(1/2) | 13. Upper left draw surface | x1Ctn(2/2) |
| 5. Support Panel-Right | x1 Ctn(1/2) | 14. Lower right draw surface | x1Ctn(2/2) |
| 6. Black Panel | x2Ctn(1/2) | 15. Upper right draw surface | x1Ctn(2/2) |
| 7. Drawer Base Plate | x4 Ctn(1/2) | 16. Movable laminate | x1Ctn(2/2) |
| 8. Left extraction side panel | x4Ctn(2/2) | 17. Connection bar | x2Ctn(2/2) |
| 9. Right extraction side panel | x4Ctn(2/2) | 18. Solid wood corners | x4Ctn(2/2) |
| | | 19. Legs | x5Ctn(2/2) |



STEP 1

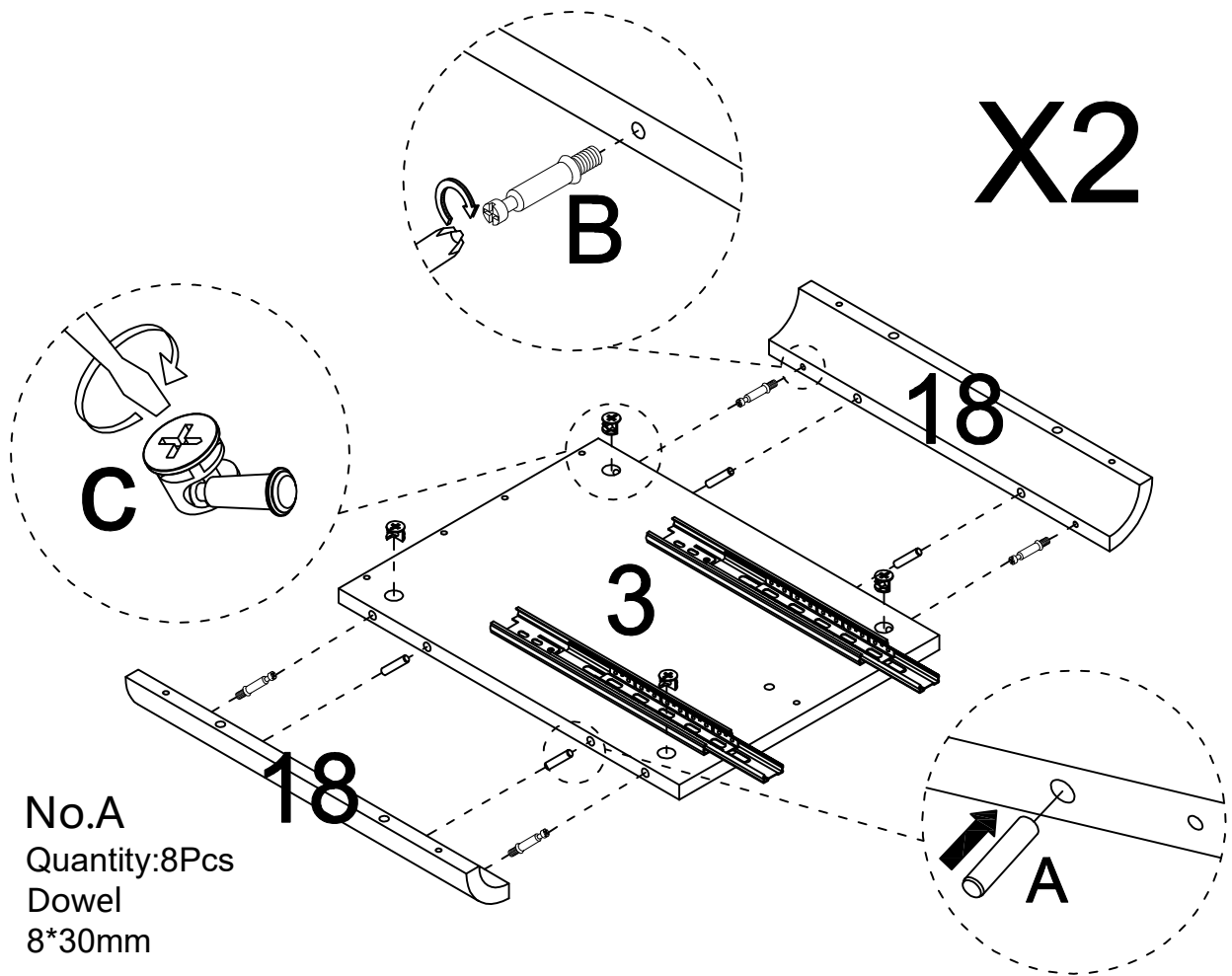


STEP 2



STEP 3

X2



No.C
Quantity:8Pcs
Cam Nut
φ15*11



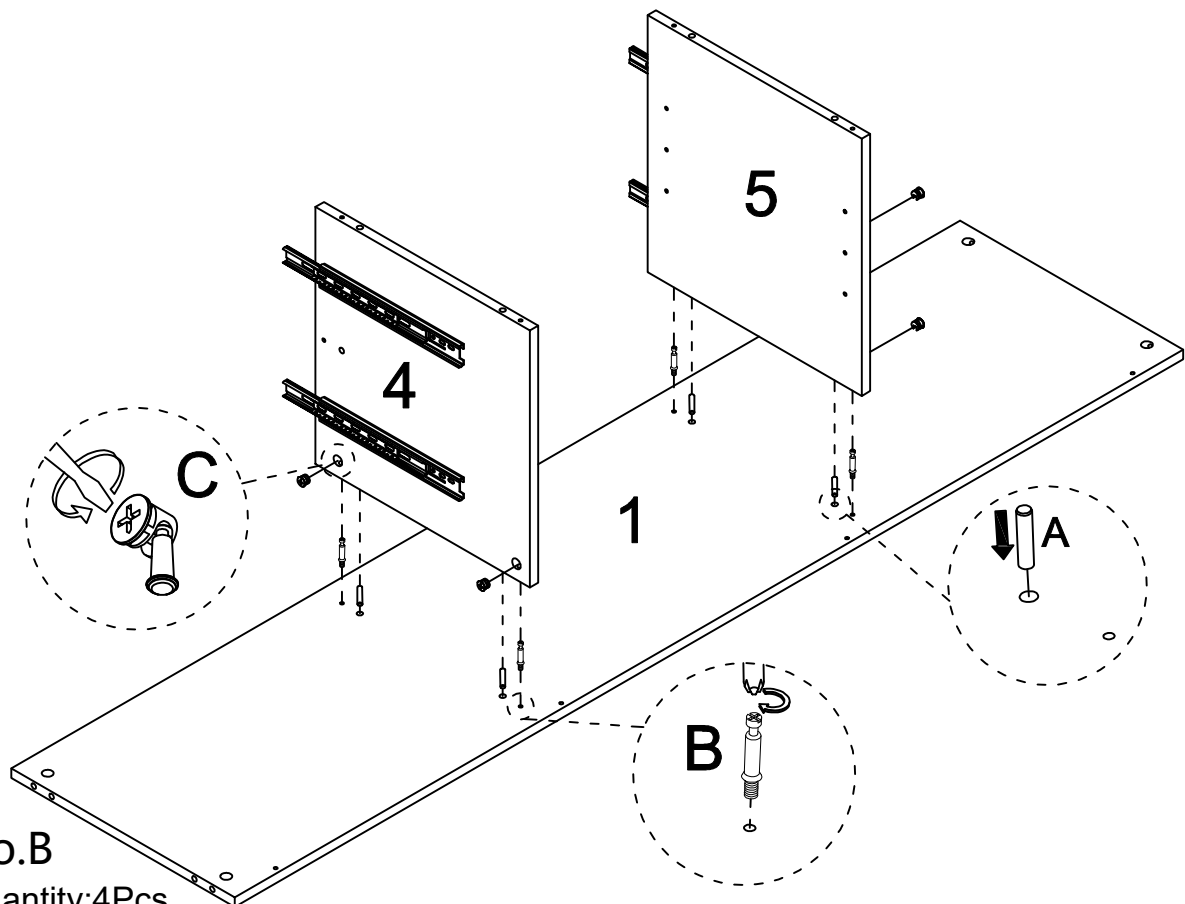
No.B
Quantity:8Pcs
Cam Bolt
φ5*35



No.A
Quantity:8Pcs
Dowel
8*30mm



STEP 4



No.C
Quantity:4Pcs
Cam Nut
φ15*11



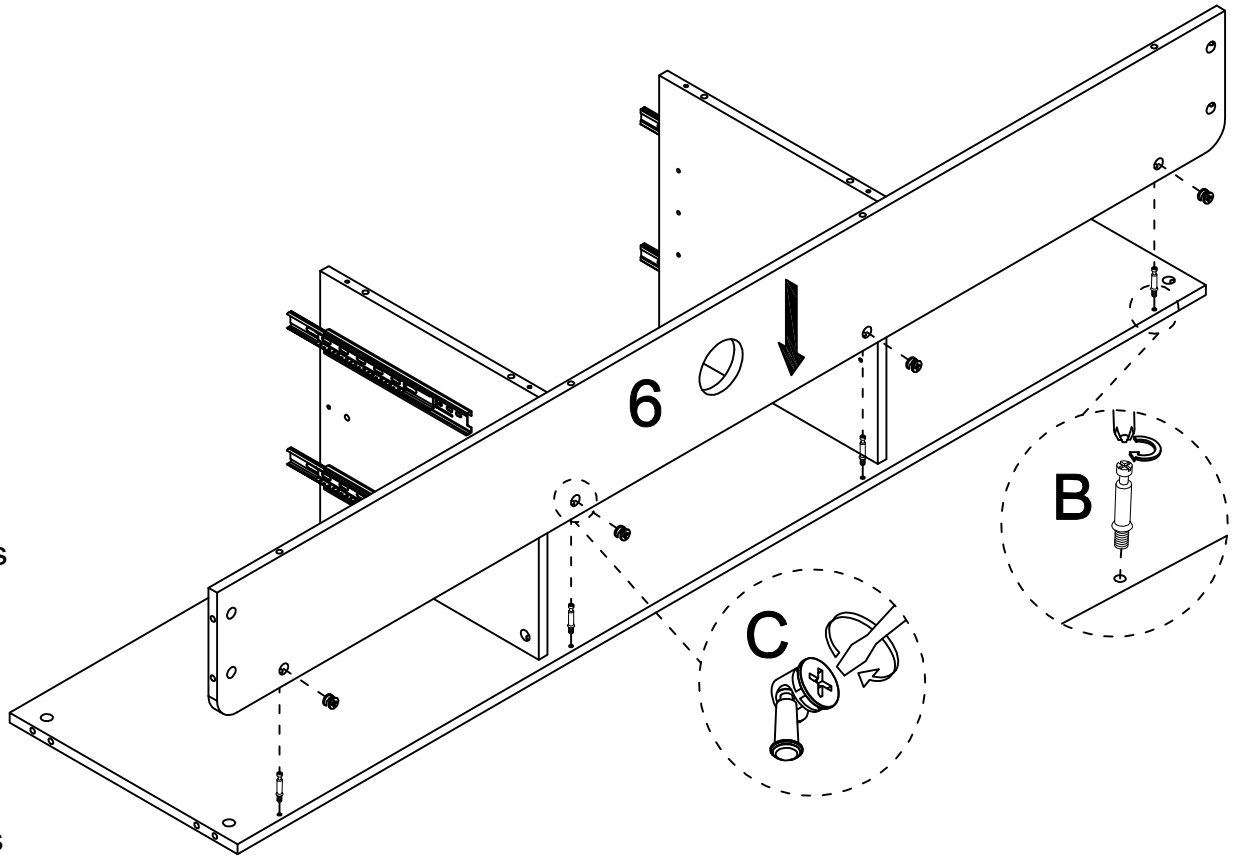
No.A
Quantity:4Pcs
Dowel
8*30mm



No.B
Quantity:4Pcs
Cam Bolt
φ5*35



STEP 5



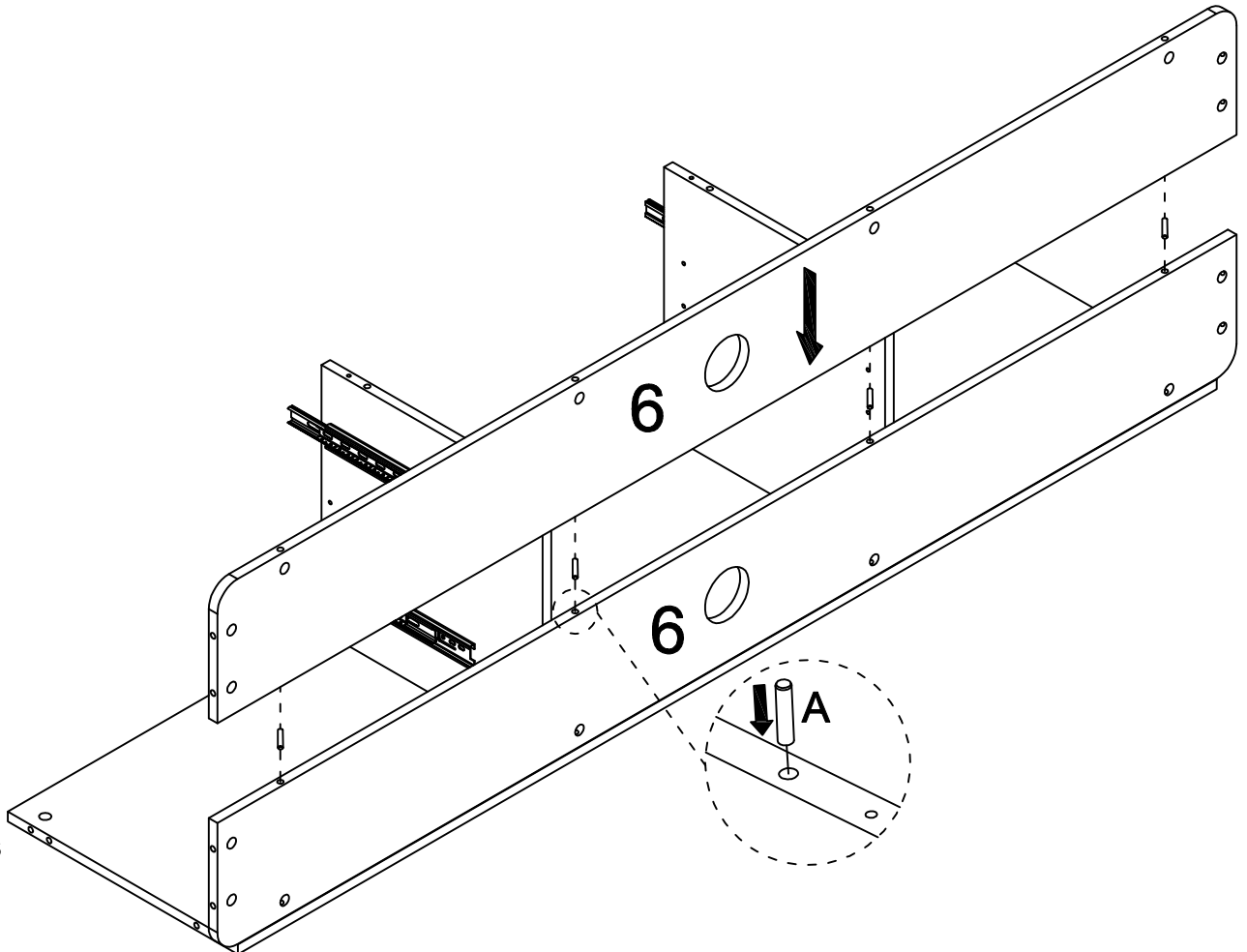
No.C
Quantity:4Pcs
Cam Nut
 $\phi 15 \times 11$



No.B
Quantity:4Pcs
Cam Bolt
 $\phi 5 \times 35$



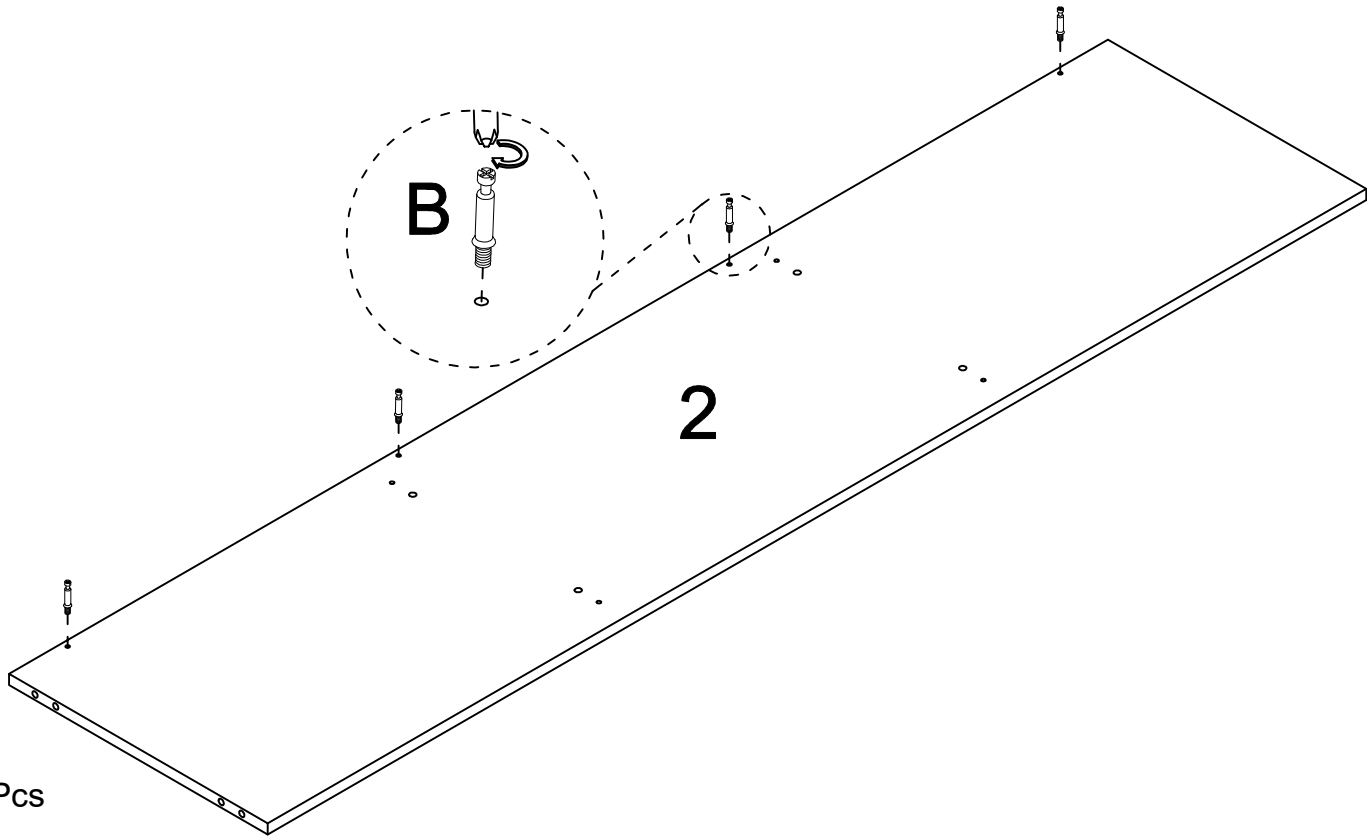
STEP 6



No.A
Quantity:4Pcs
Dowel
8*30mm



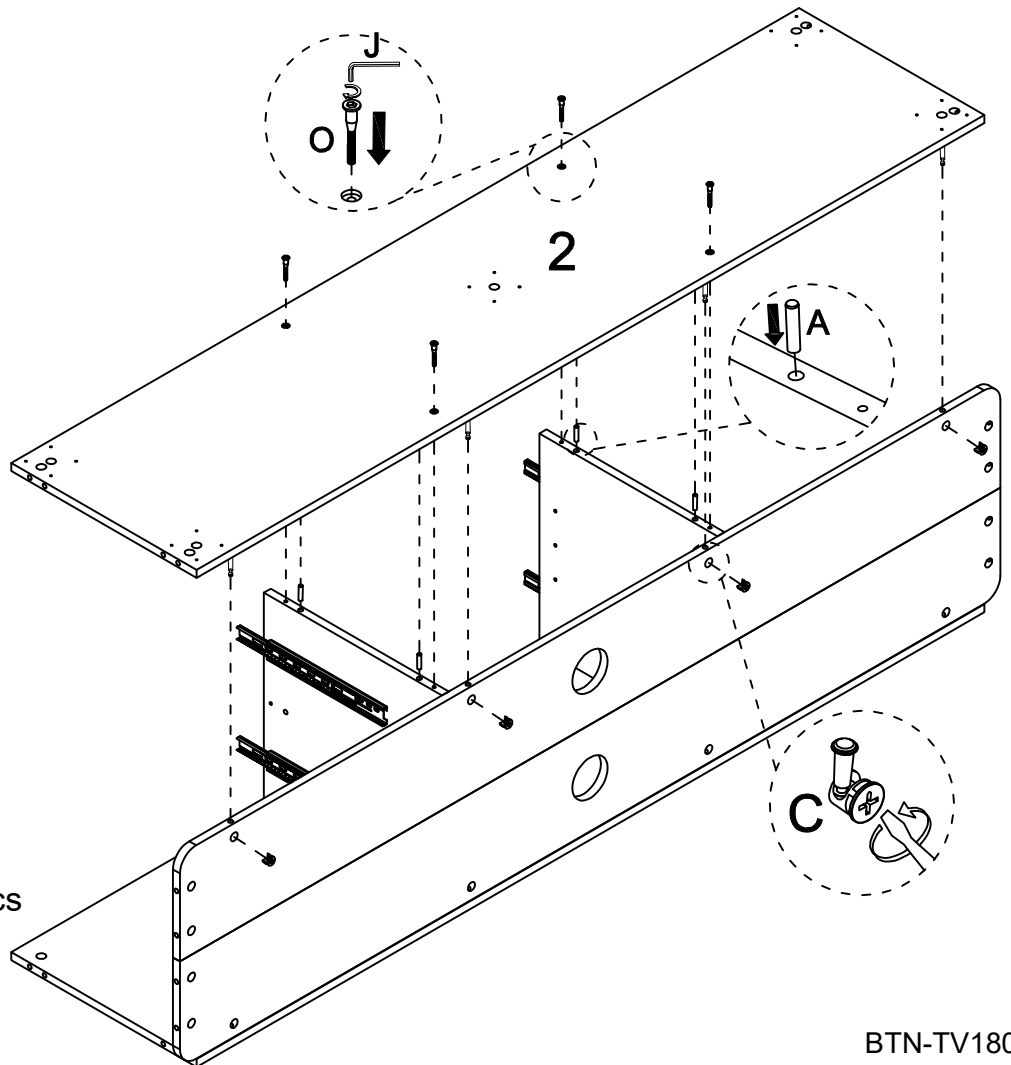
STEP 7



No.B
Quantity:4Pcs
Cam Bolt
φ5*35



STEP 8



No.J
Quantity:1Pcs
Allen key



No.C
Quantity:4Pcs
Cam Nut
φ15*11



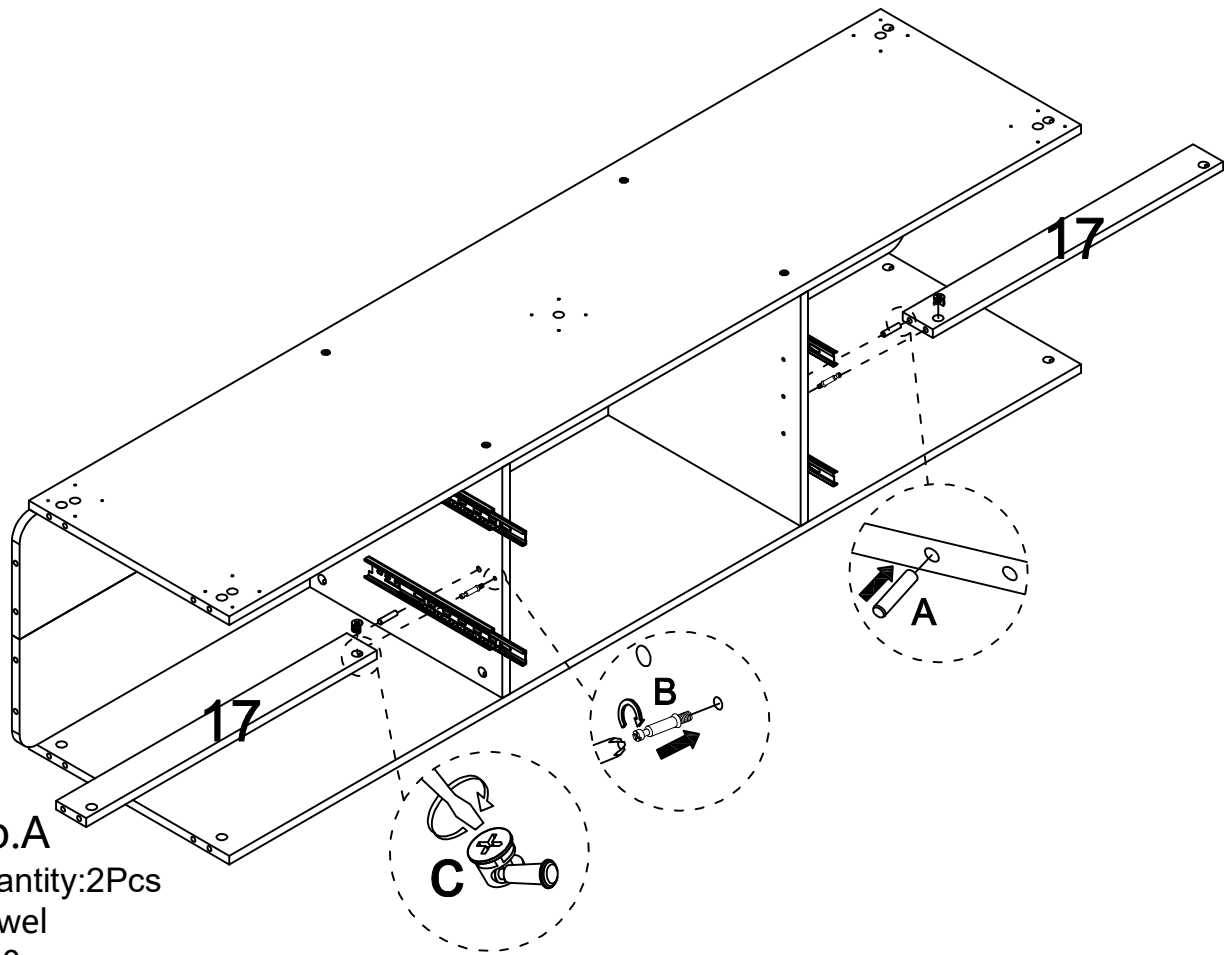
No.A
Quantity:4Pcs
Dowel
8*30mm



No.O
Quantity:4Pcs
Bolt
M6*50



STEP 9



No.C
Quantity:2Pcs
Cam Nut
φ15*11



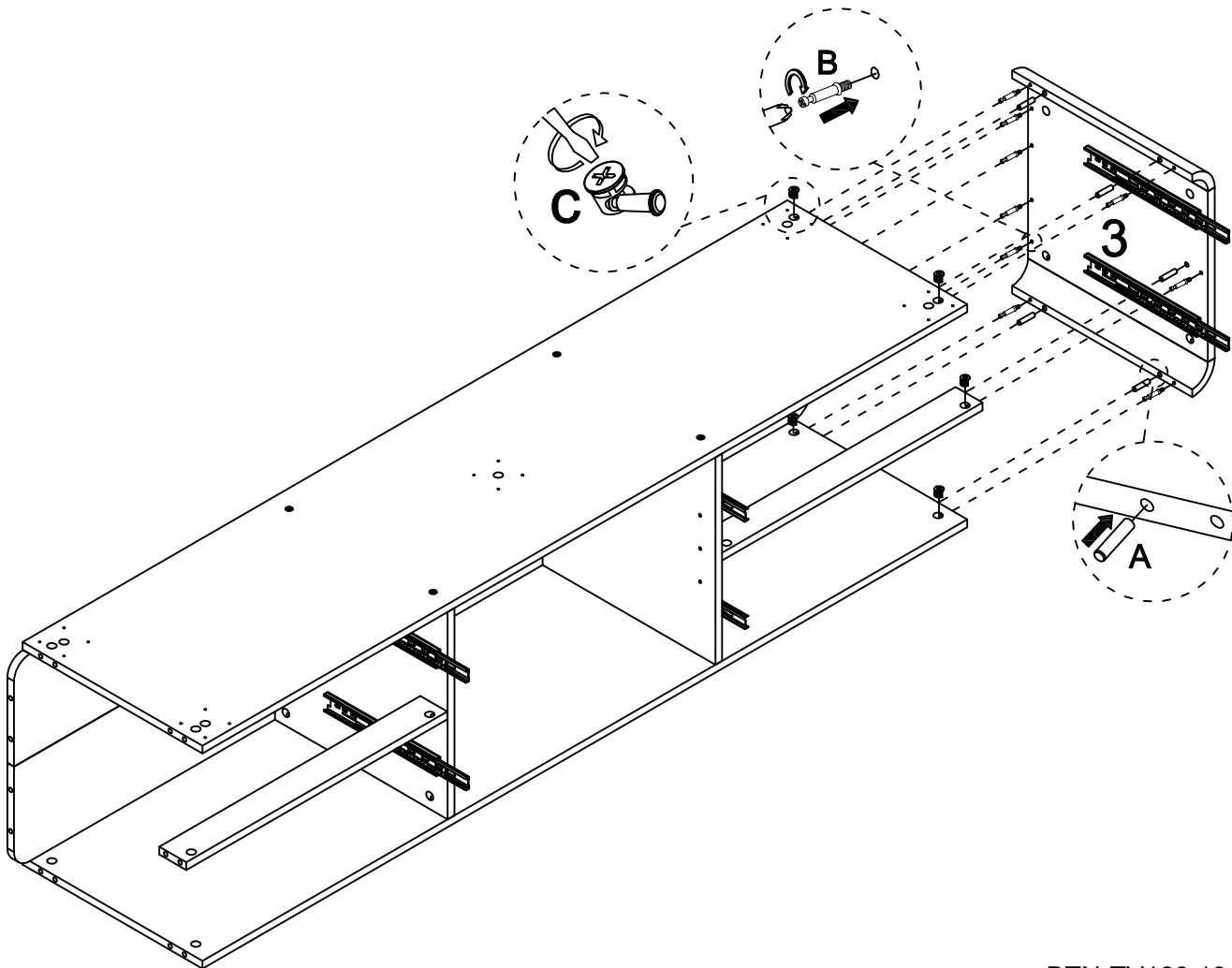
No.B
Quantity:2Pcs
Cam Bolt
φ5*35



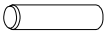
No.A
Quantity:2Pcs
Dowel
8*30mm



STEP 10



No.A
Quantity:5Pcs
Dowel
8*30mm



No.C
Quantity:5Pcs
Cam Nut
φ15*11



No.B
Quantity:9Pcs
Cam Bolt
φ5*35



STEP 11

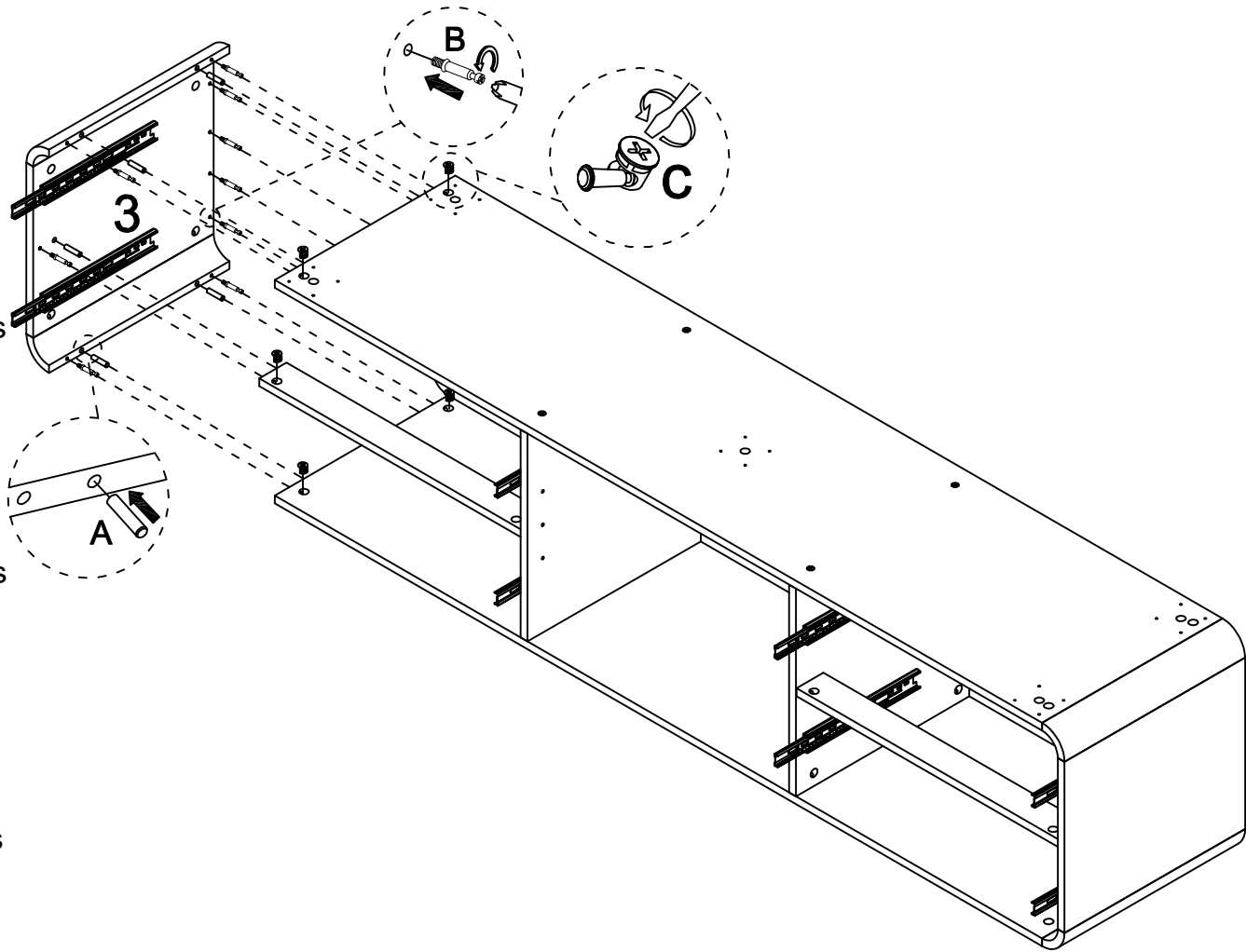
No.A
Quantity:5Pcs
Dowel
8*30mm



No.C
Quantity:5Pcs
Cam Nut
φ15*11

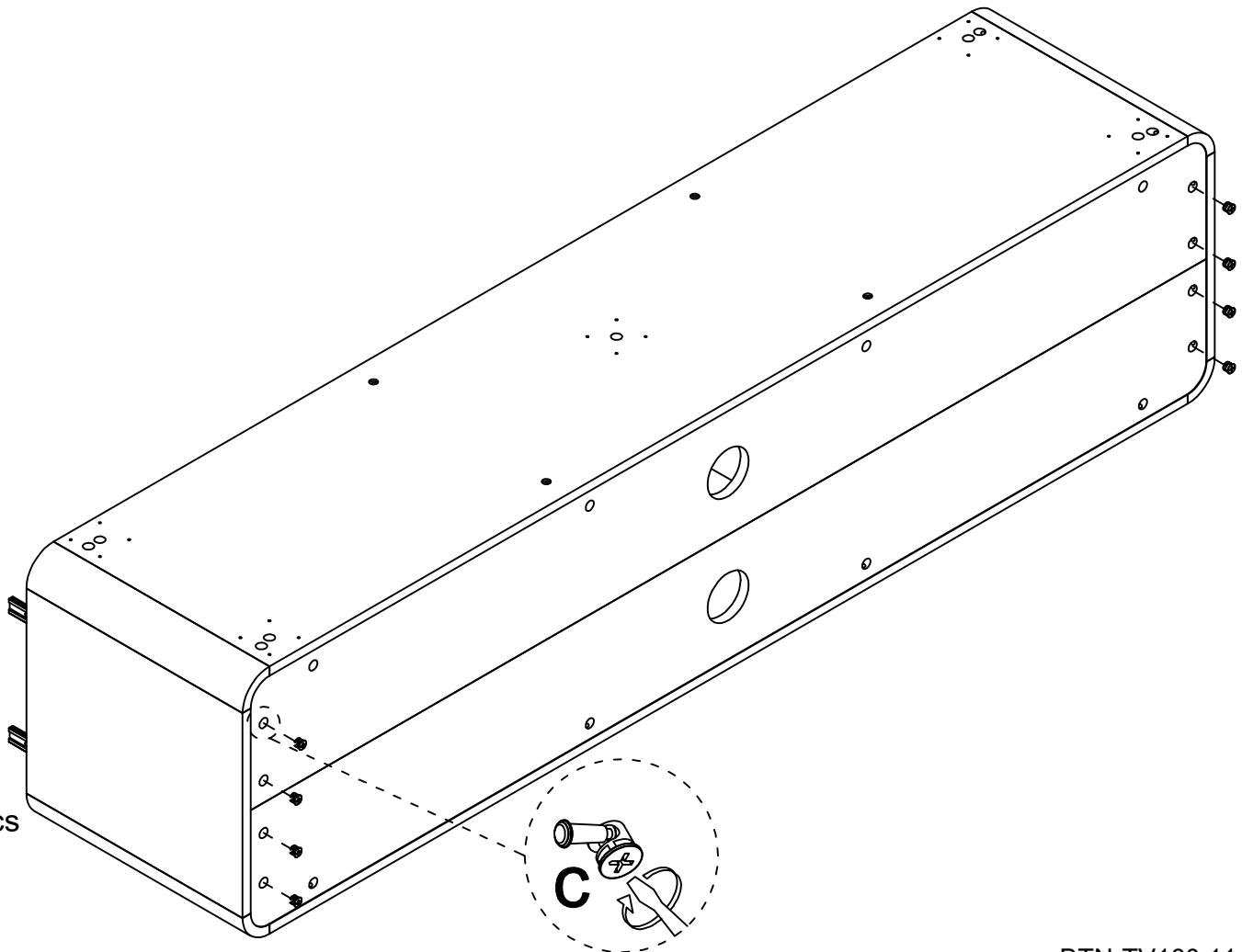


No.B
Quantity:9Pcs
Cam Bolt
φ5*35

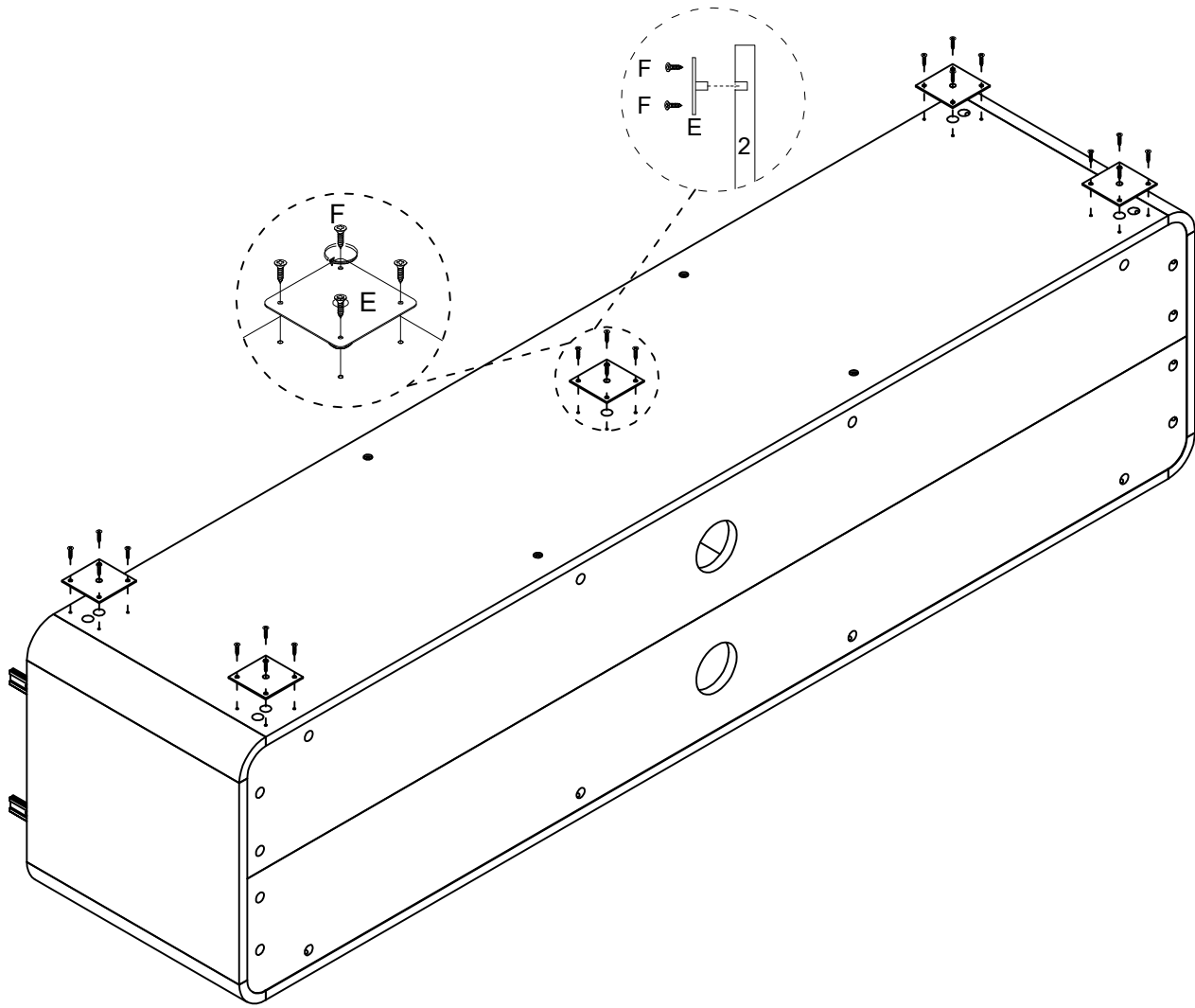


STEP 12

No.C
Quantity:8Pcs
Cam Nut
φ15*11



STEP 13



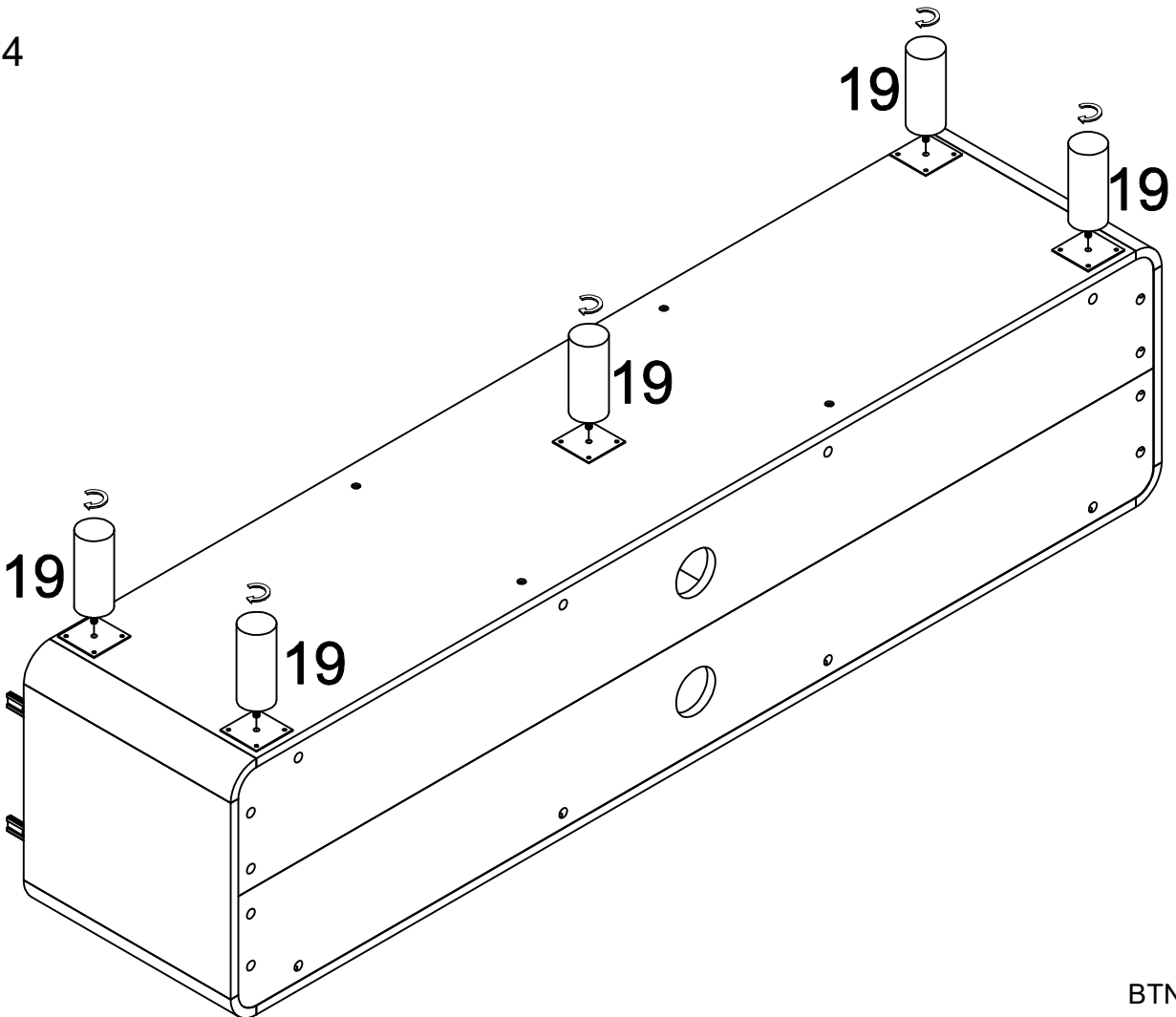
No.F
Quantity:20Pcs
Screw
Ø3.5*14



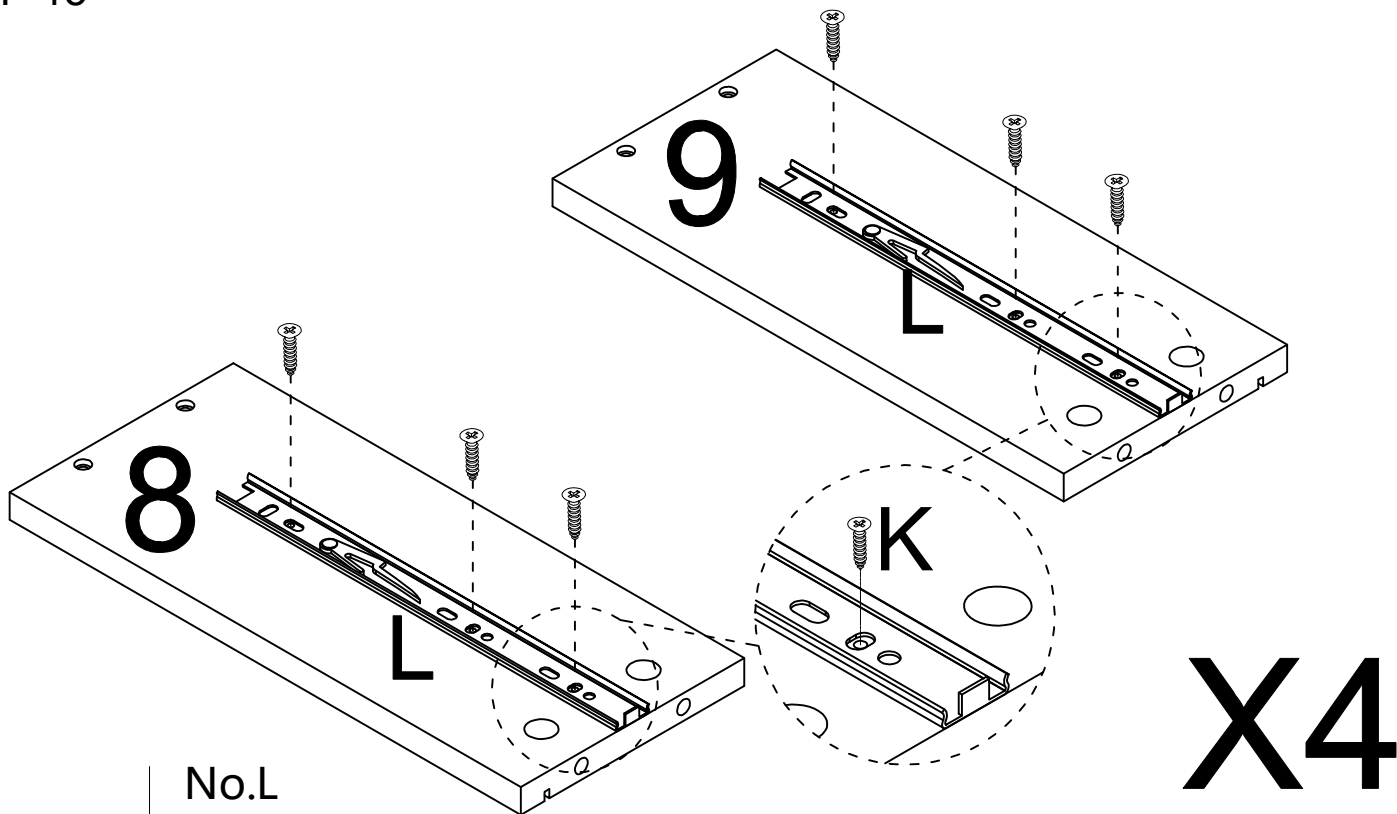
No.E
Quantity:5Pcs
Iron Sheet



STEP 14



STEP 15



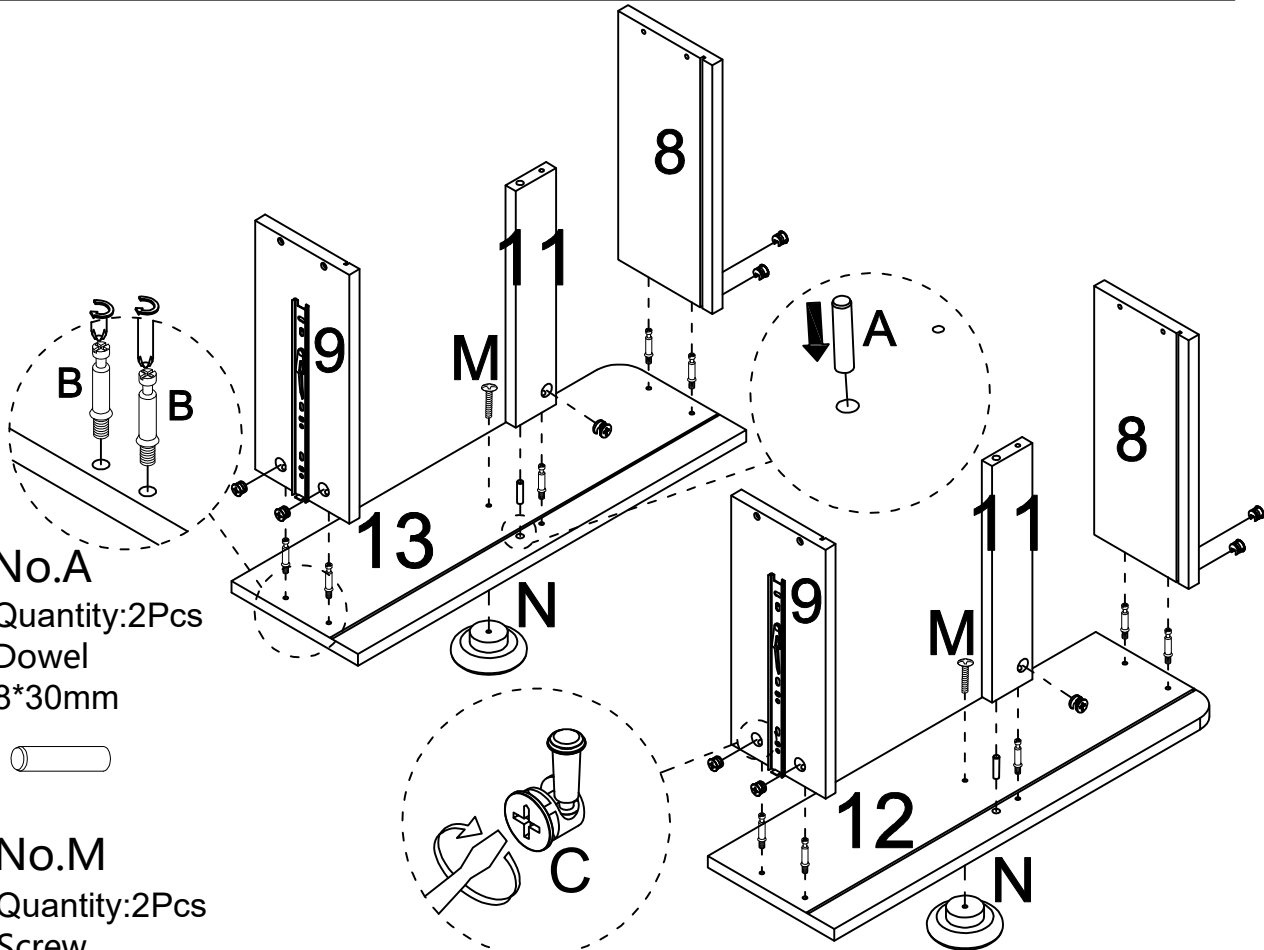
No.K
Quantity:24Pcs
Screw
φ3*12



No.L
Quantity:4Pcs
Slider



STEP 16



No.N
Quantity:2Pcs
handle



No.C
Quantity:10Pcs
Cam Nut
φ15*11



No.B
Quantity:10Pcs
Cam Bolt
φ5*35



No.A
Quantity:2Pcs
Dowel
8*30mm



No.M
Quantity:2Pcs
Screw
Ø4x22mm



STEP 17

No.N
Quantity:2Pcs
handle



No.C
Quantity:10Pcs
Cam Nut
φ15*11



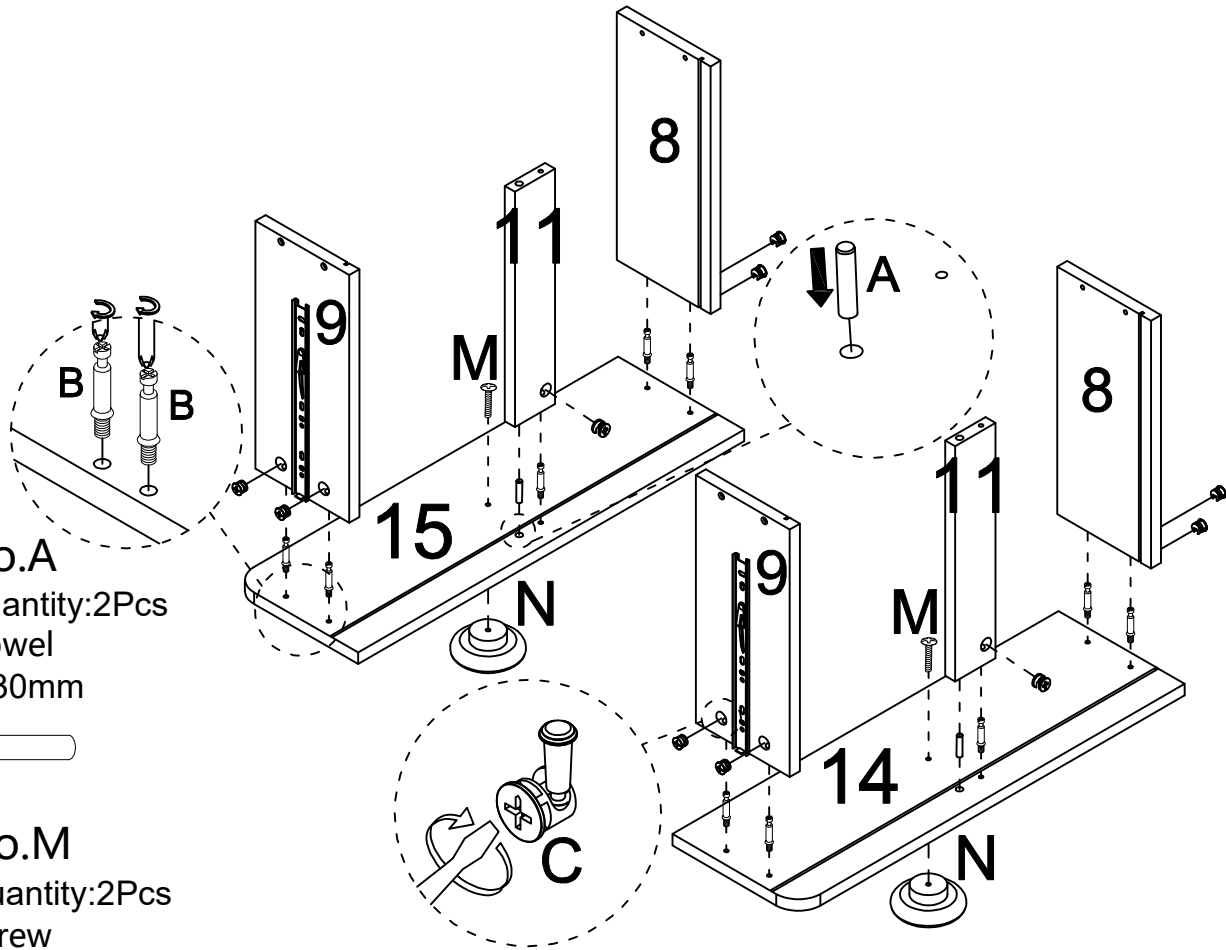
No.B
Quantity:10Pcs
Cam Bolt
φ5*35



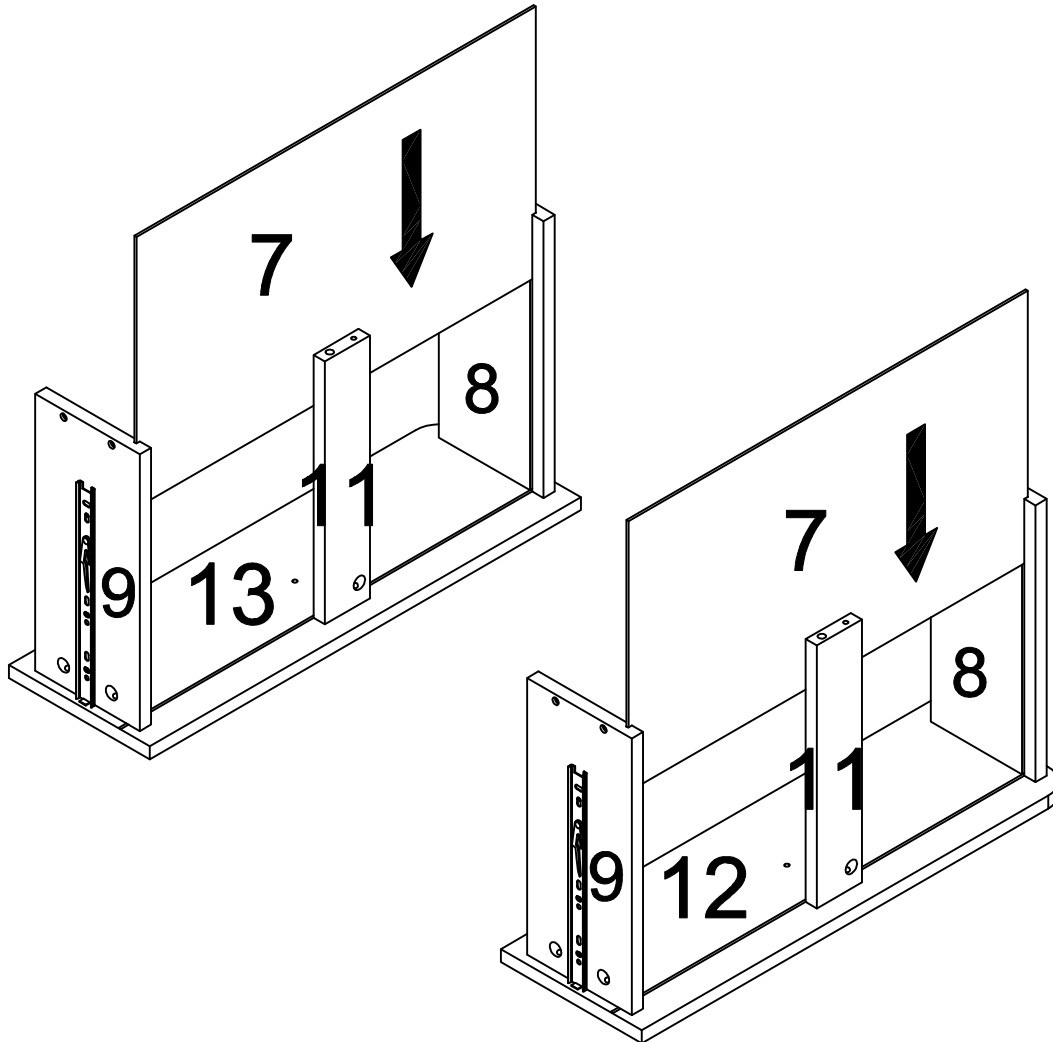
No.A
Quantity:2Pcs
Dowel
8*30mm



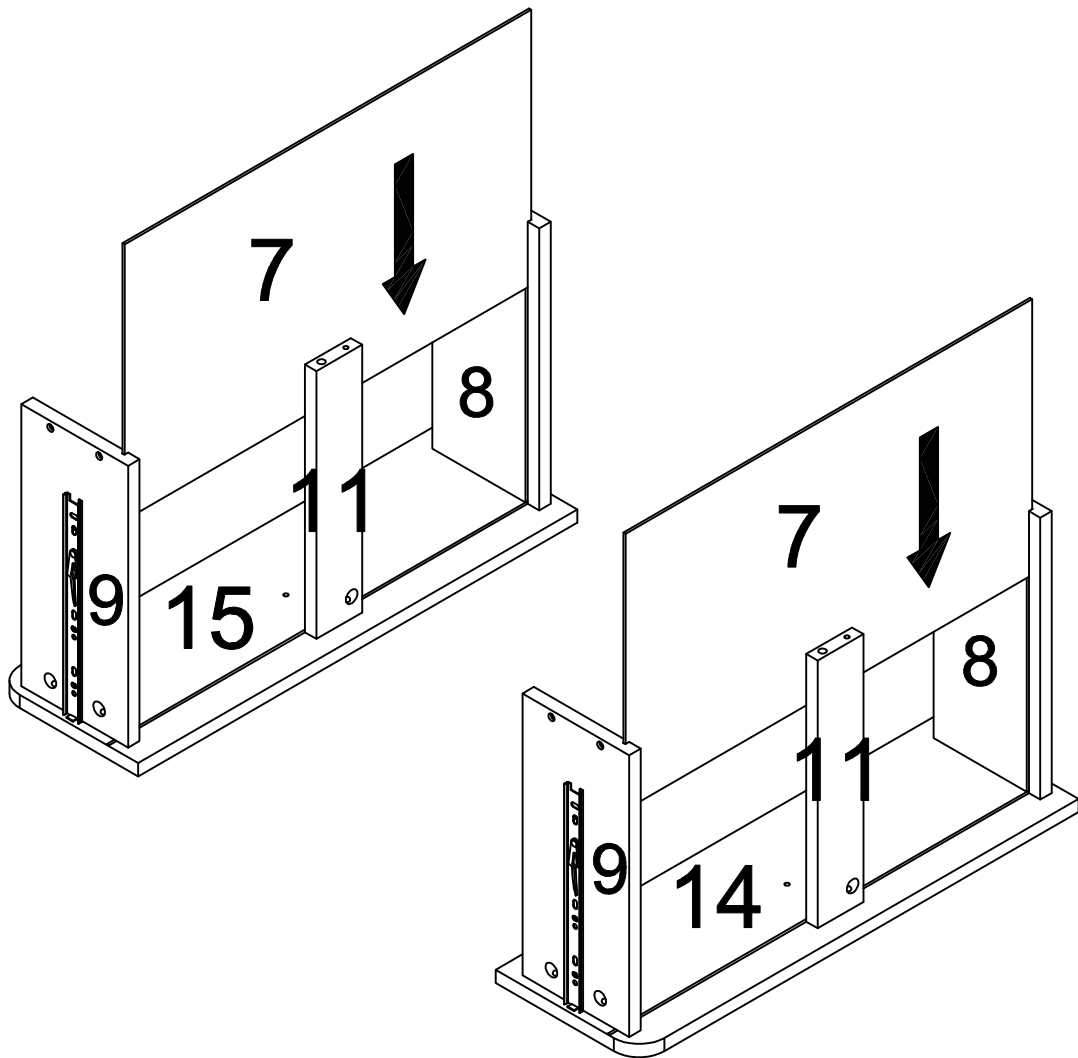
No.M
Quantity:2Pcs
Screw
Ø4x22mm



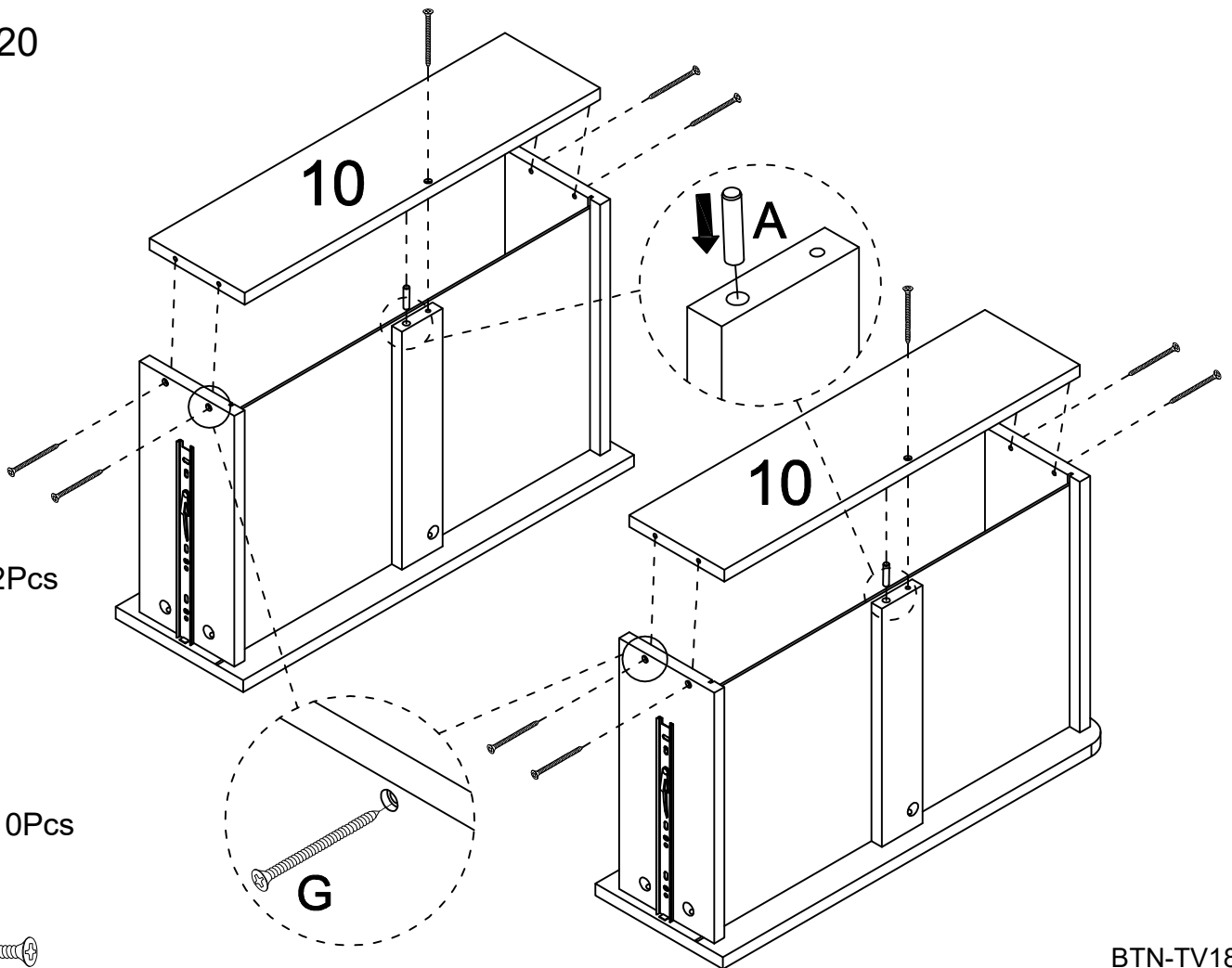
STEP 18



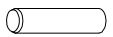
STEP 19



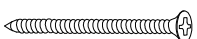
STEP 20



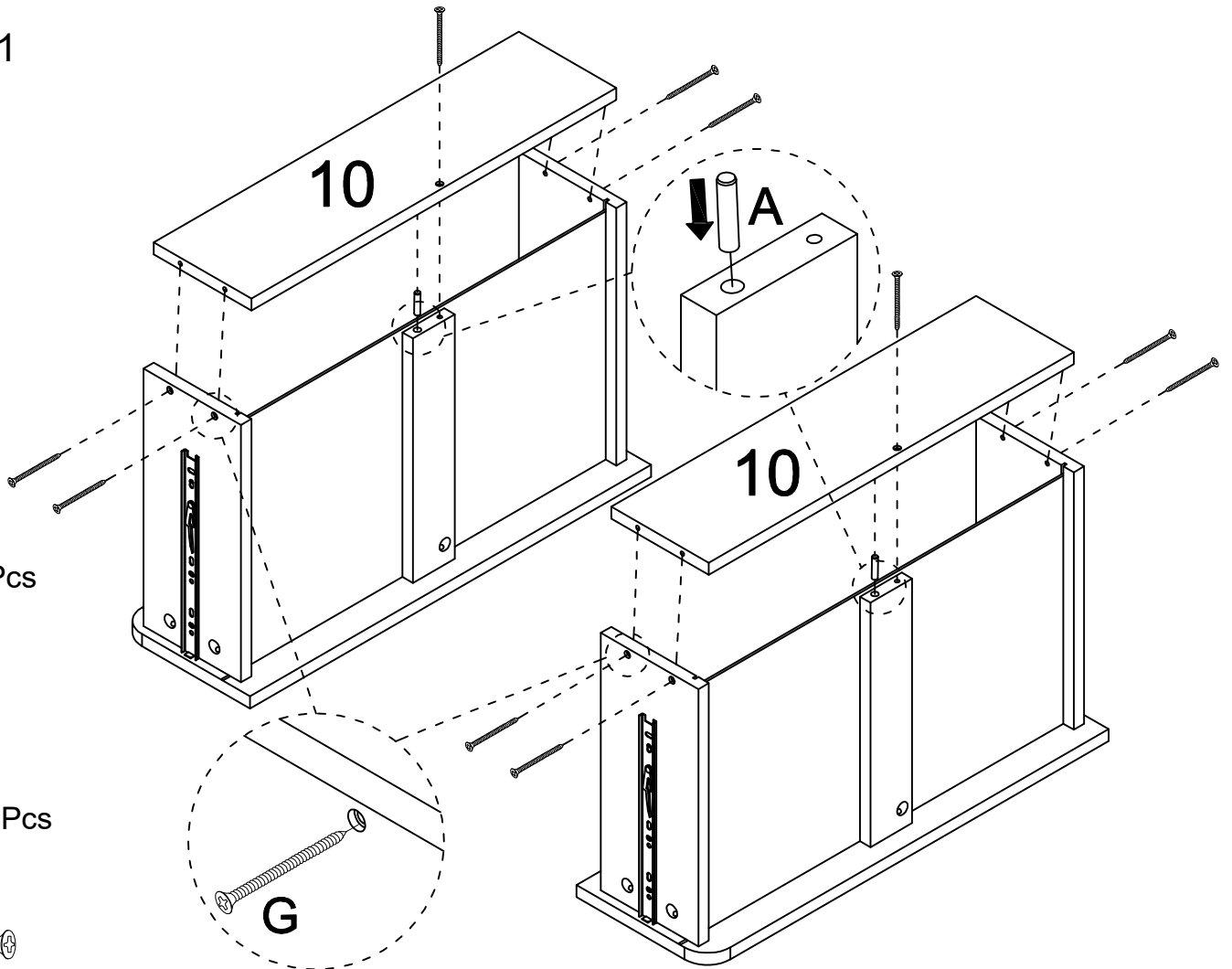
No.A
Quantity:2Pcs
Dowel
8*30mm



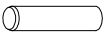
No.G
Quantity:10Pcs
Screw
φ4*32



STEP 21



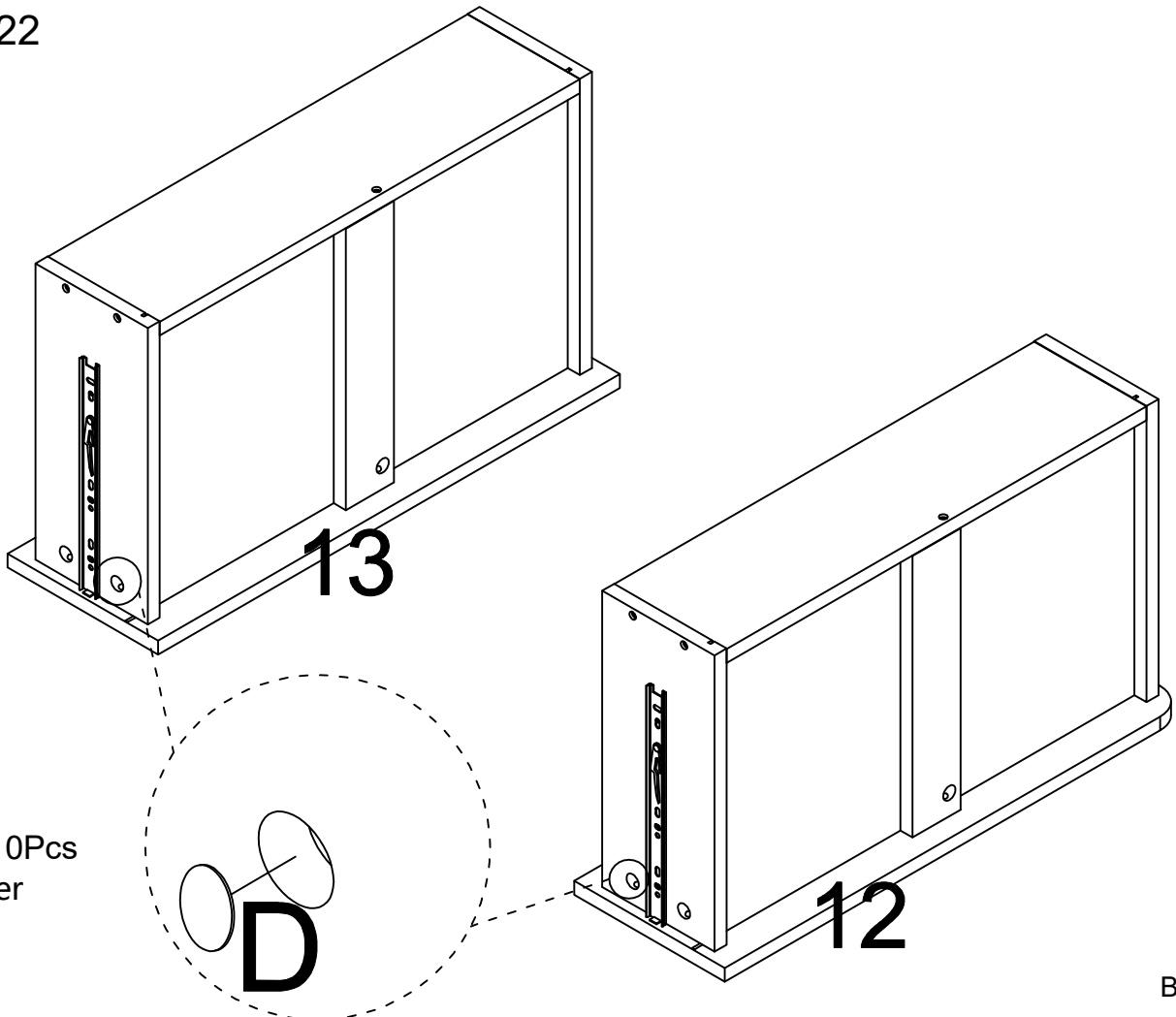
No.A
Quantity:2Pcs
Dowel
8*30mm



No.G
Quantity:10Pcs
Screw
 $\phi 4 \times 32$



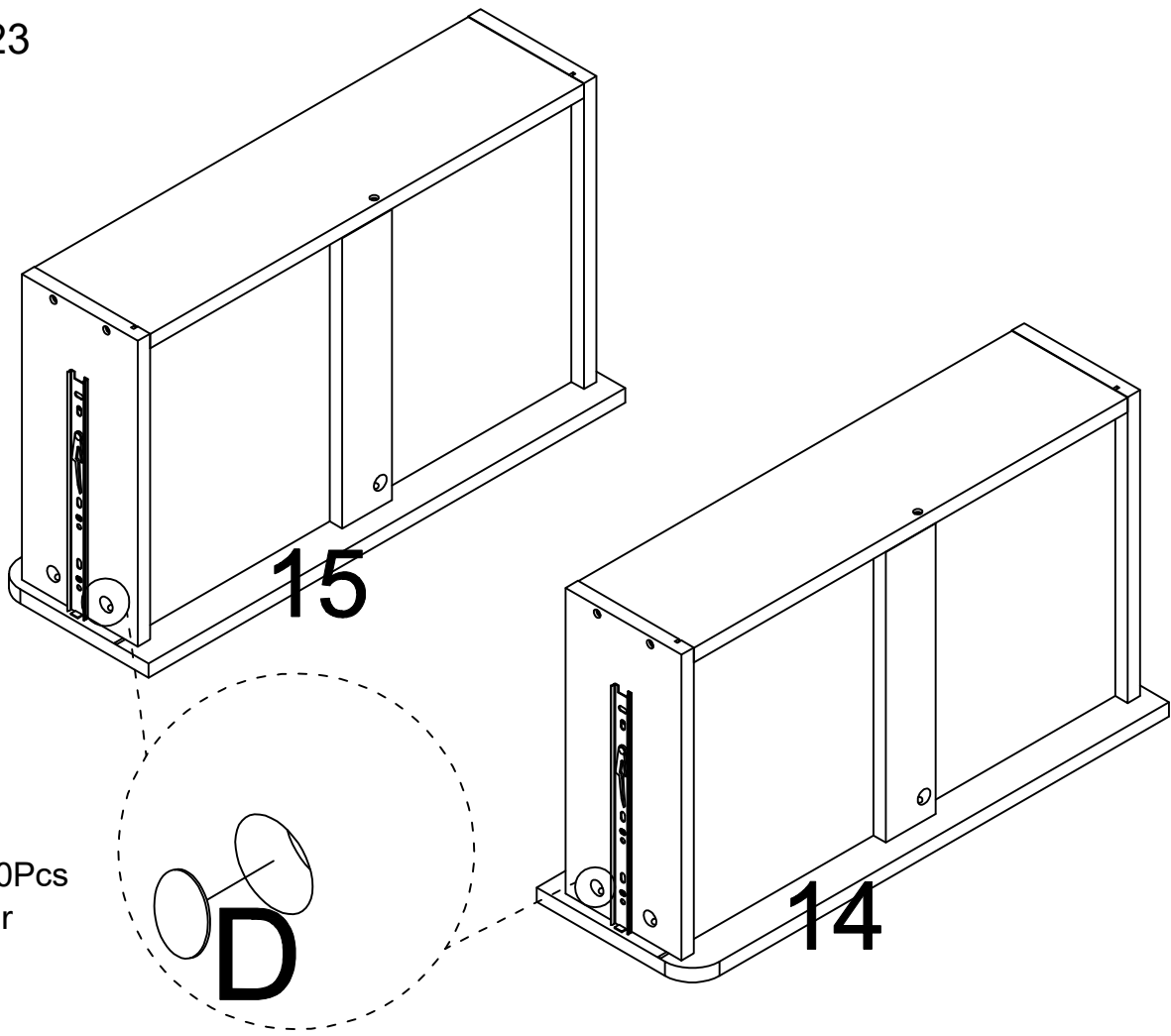
STEP 22



No.D
Quantity:10Pcs
Disc sticker
 $\phi 30$



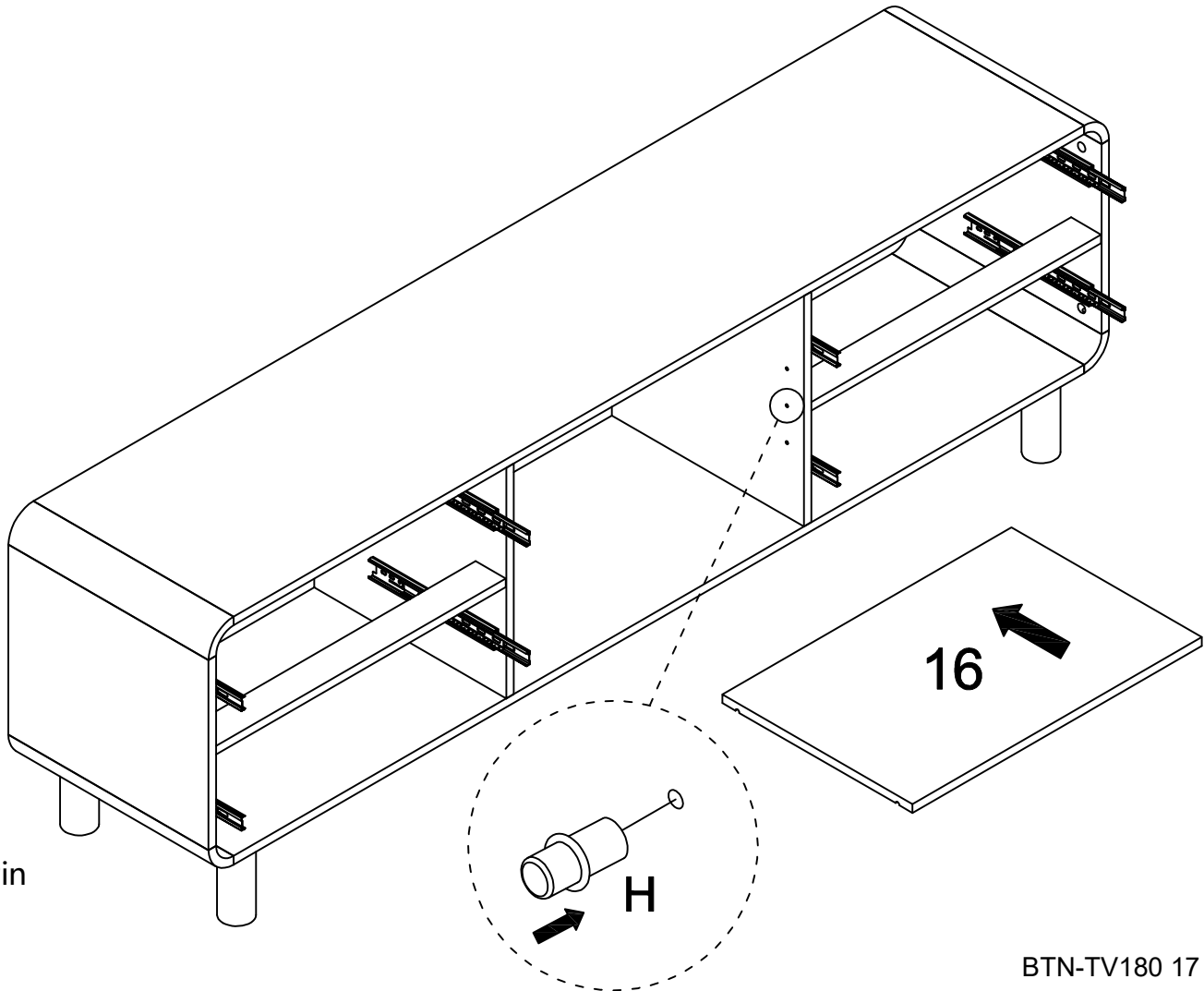
STEP 23



No.D
Quantity:10Pcs
Disc sticker
φ30



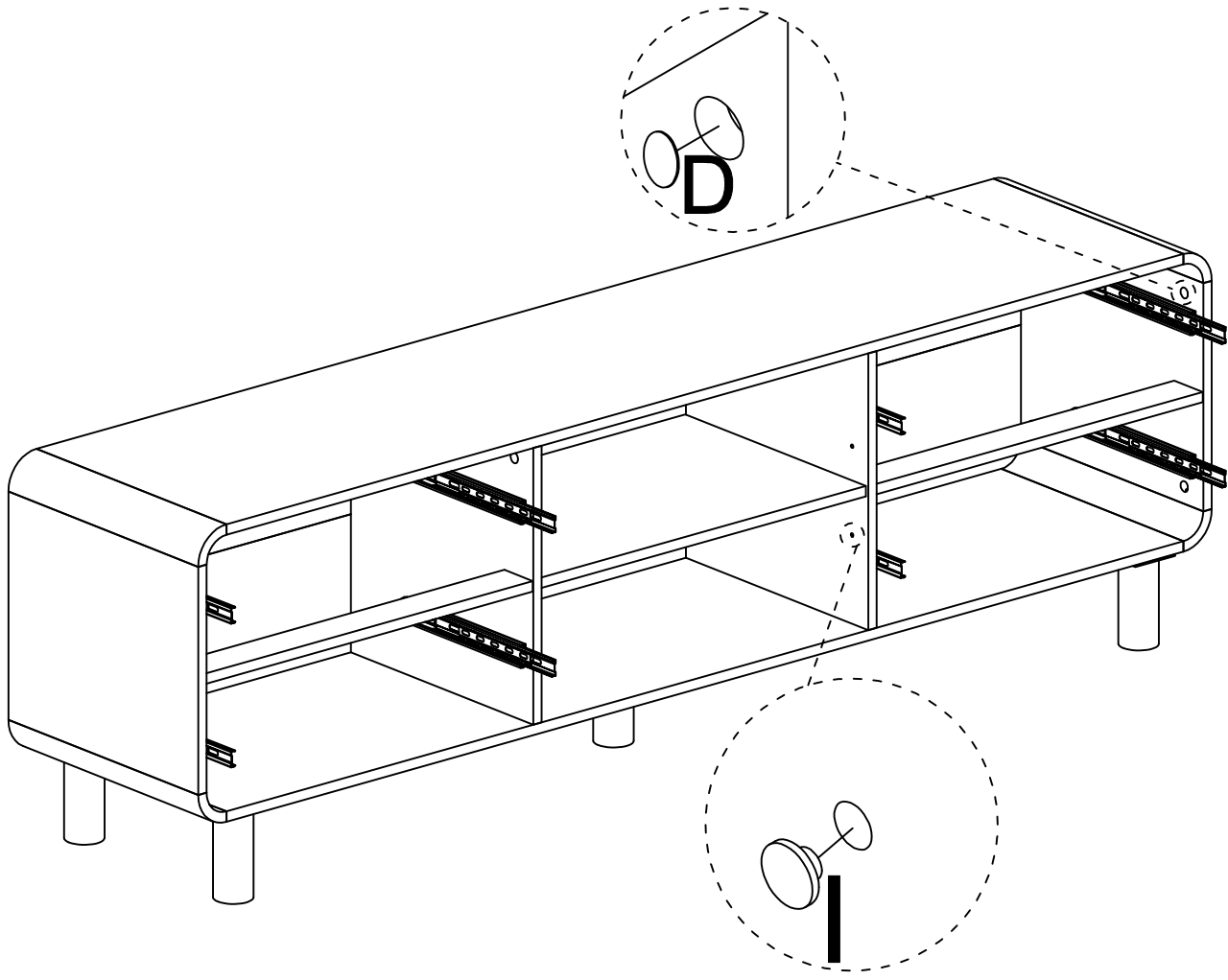
STEP 24



No.H
Quantity:4Pcs
Shelf Support Pin
φ5*17



STEP 25



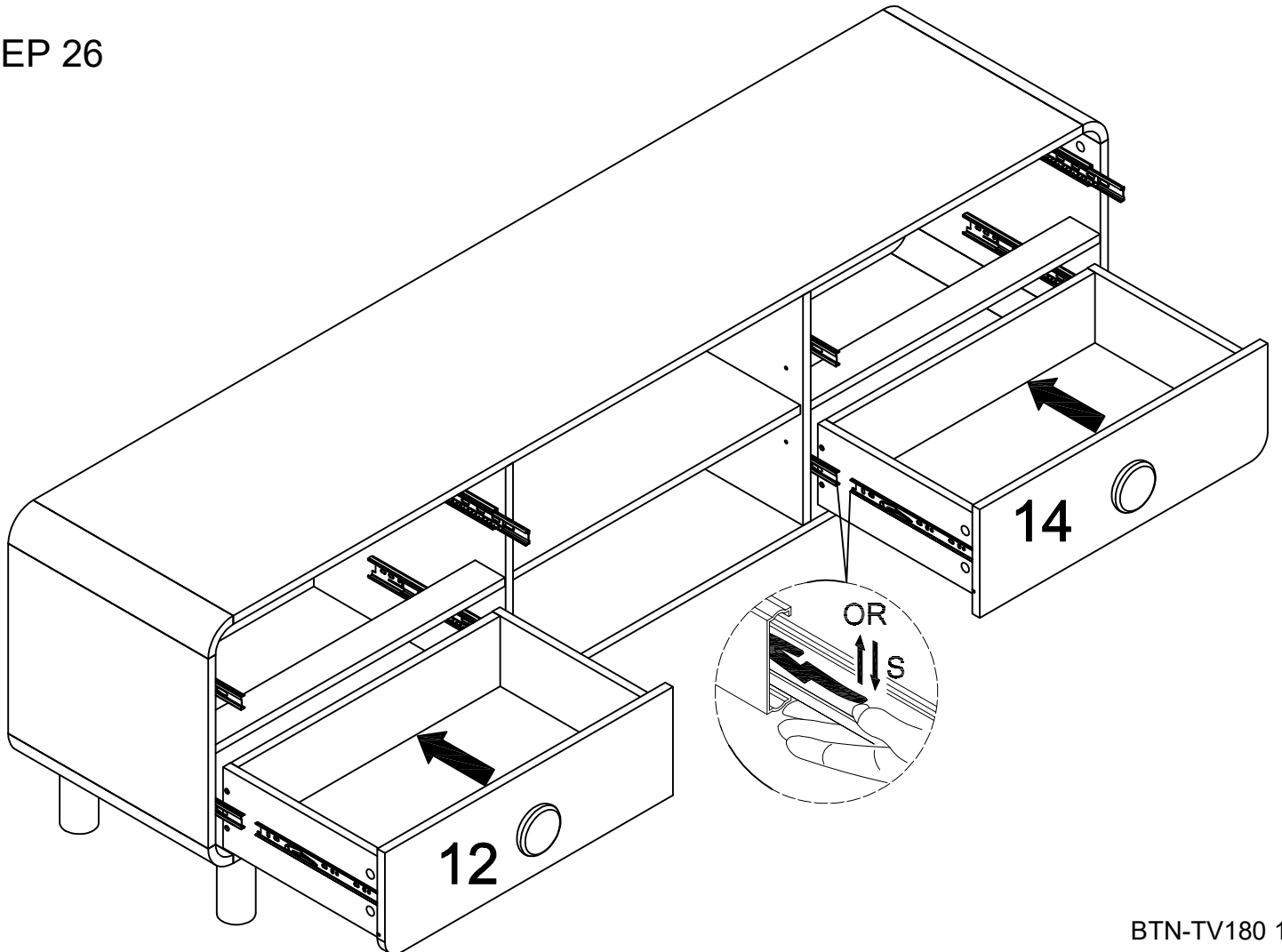
No.D
Quantity:36Pcs
Disc sticker
φ30



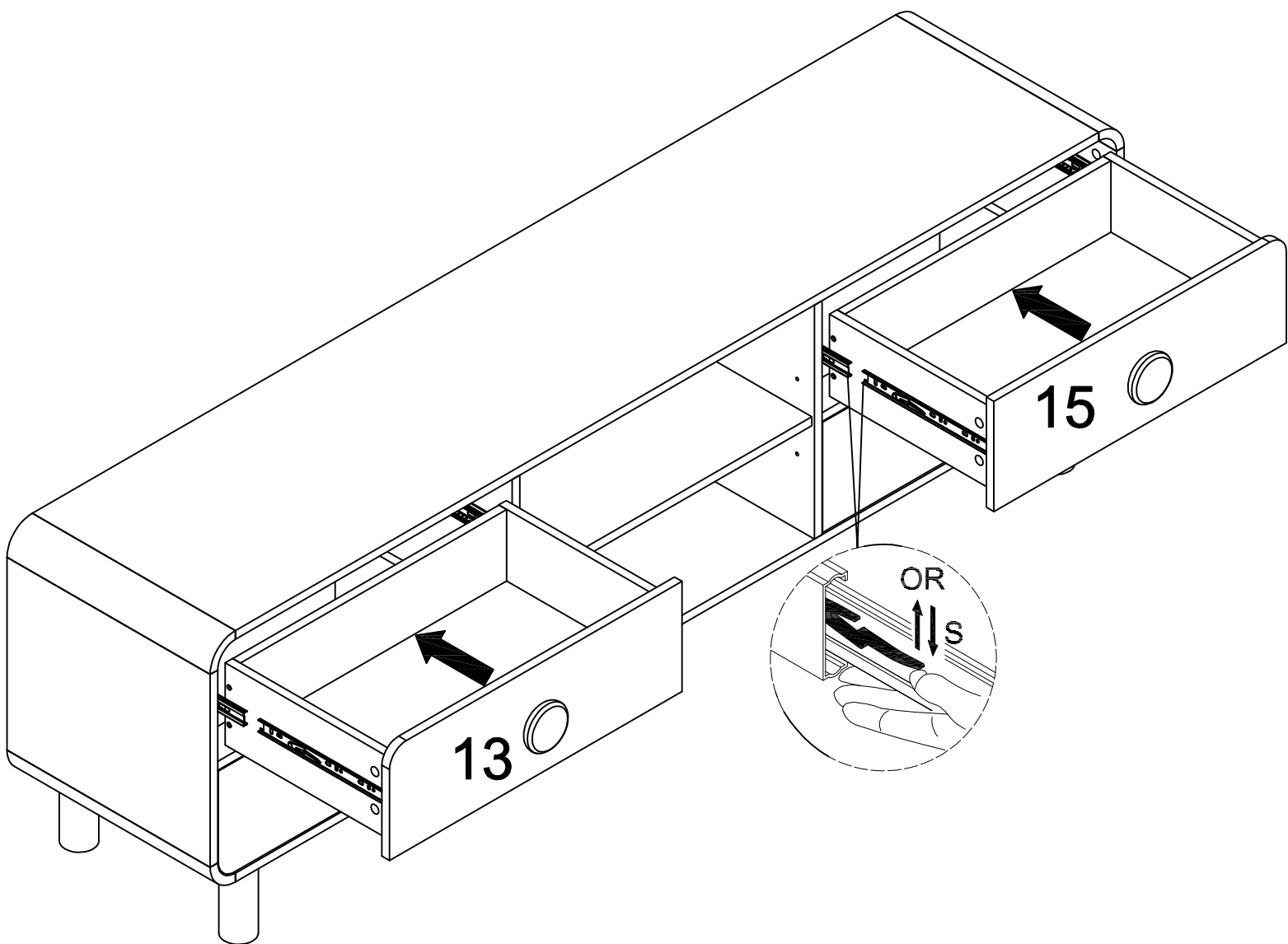
No.I
Quantity:8Pcs
Plastic cover
φ8*6



STEP 26



STEP 27



Great job. You're done!

Don't forget to share how it looks in your space and tag us on Instagram.
@lifelyhome#homewithlifely!