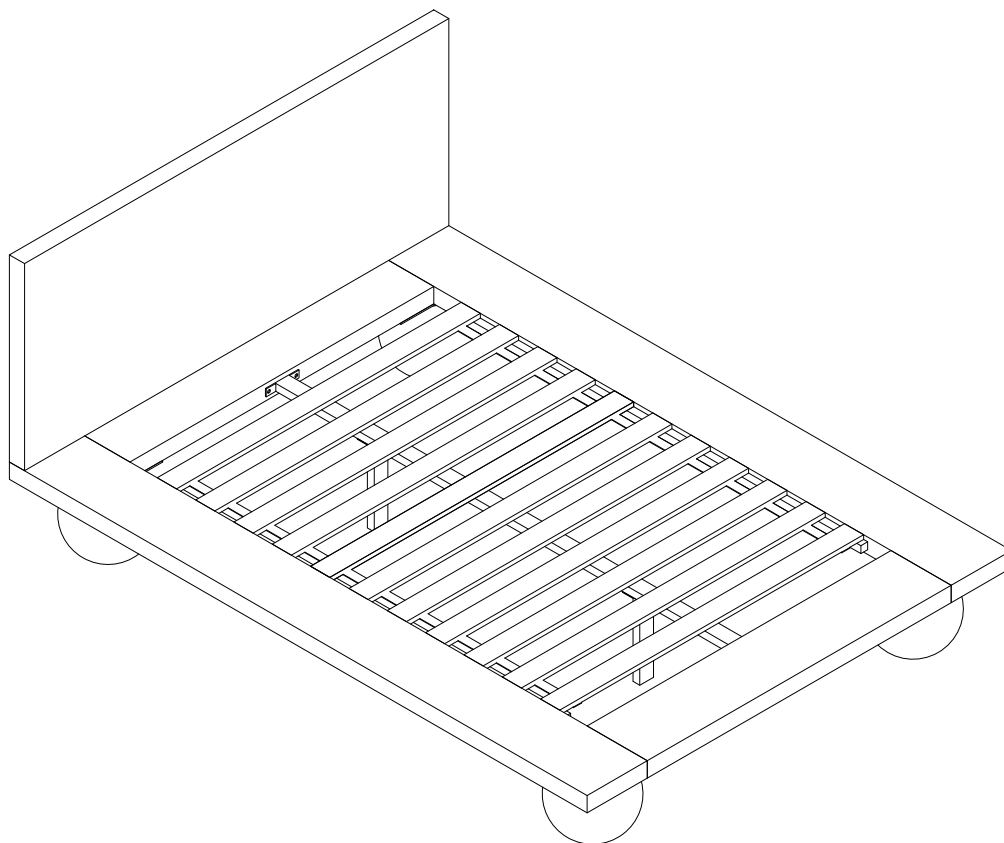


Assembly Instructions

Ballico Series



Lifely*

Product Code

BLC-BF-K Ballico Bed Frame King

BLC-BF-Q Ballico Bed Frame Queen

Dimensions(W x D x H)

1860x2110x960mm

1560x2110x960mm

Important

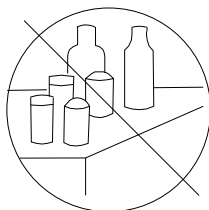
Please read through instruction carefully
Before assembly and keep for future reference.

For our full catalogue of assembly instructions,
Visit: lifely.com.au/assembly.

Important Tips and Maintenance



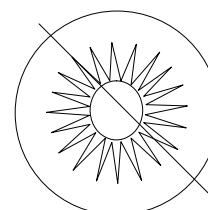
1. Keep children and animals away from working area as smaller parts may cause choking if swallowed.



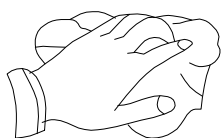
2. Never place liquids or anything damp upon furniture as it will mark. Ensure a coaster or running is beneath.



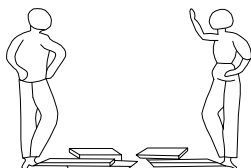
3. Never use ammonia based cleaning products as it will damage the finish.



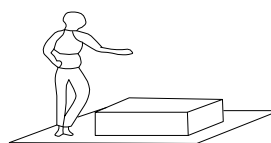
4. To avoid fading, keep furniture out of direct sunlight.



5. Use a soft or damp cloth (dry cloth) when wiping or cleaning surfaces.



6. Two person are required.



7. Lay a soft matt down to protect the furniture piece before and during assembly.

So your relationship is strong. But is it flat-pack furniture strong? Unless you're an aerospace engineer, assembling furniture can be slightly stressful. We recommend meditating quietly, pouring yourself a herbal tea (or slightly less herbal wine) and tackling things one step at a time. If you feel a passive aggressive remark coming on, try a compliment instead. E.g. "You're so good looking"

This 8-step assembly should take around 2.5 hours with an Allen Key - or 1.5 hours with an electric drill. Godspeed.

Designed for everyday

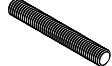
Component Hardware

Please check you have all the fittings part or tools are listed in below.

No. A
Quantity:12Pcs
Dowel
M10*40mm



No. B
Quantity:8Pcs
Full Thread Screw
M8*120mm



No. C
Quantity:21Pcs
Half-moon part



No. D
Quantity:21Pcs
Hexagon Nuts M8
M8



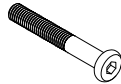
No. E
Quantity:4Pcs
Spanner



No. F
Quantity:24 Pcs
Screw
M8*25mm



No. G
Quantity:5Pcs
Screw
M8*120mm



No. H
Quantity:29Pcs
Screw
φ22



No. I
Quantity:2 Pcs
Allen Key
5#



No. J
Quantity:4 Pcs
Foot Pad
φ25



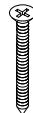
No. K
Quantity:20 Pcs
Screw
4*25mm



No. L
Quantity:22Pcs
Screw
4*30mm



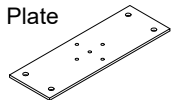
No. M
Quantity:16Pcs
Screw
4*45mm



No. N
Quantity:21Pcs
Shim
φ50



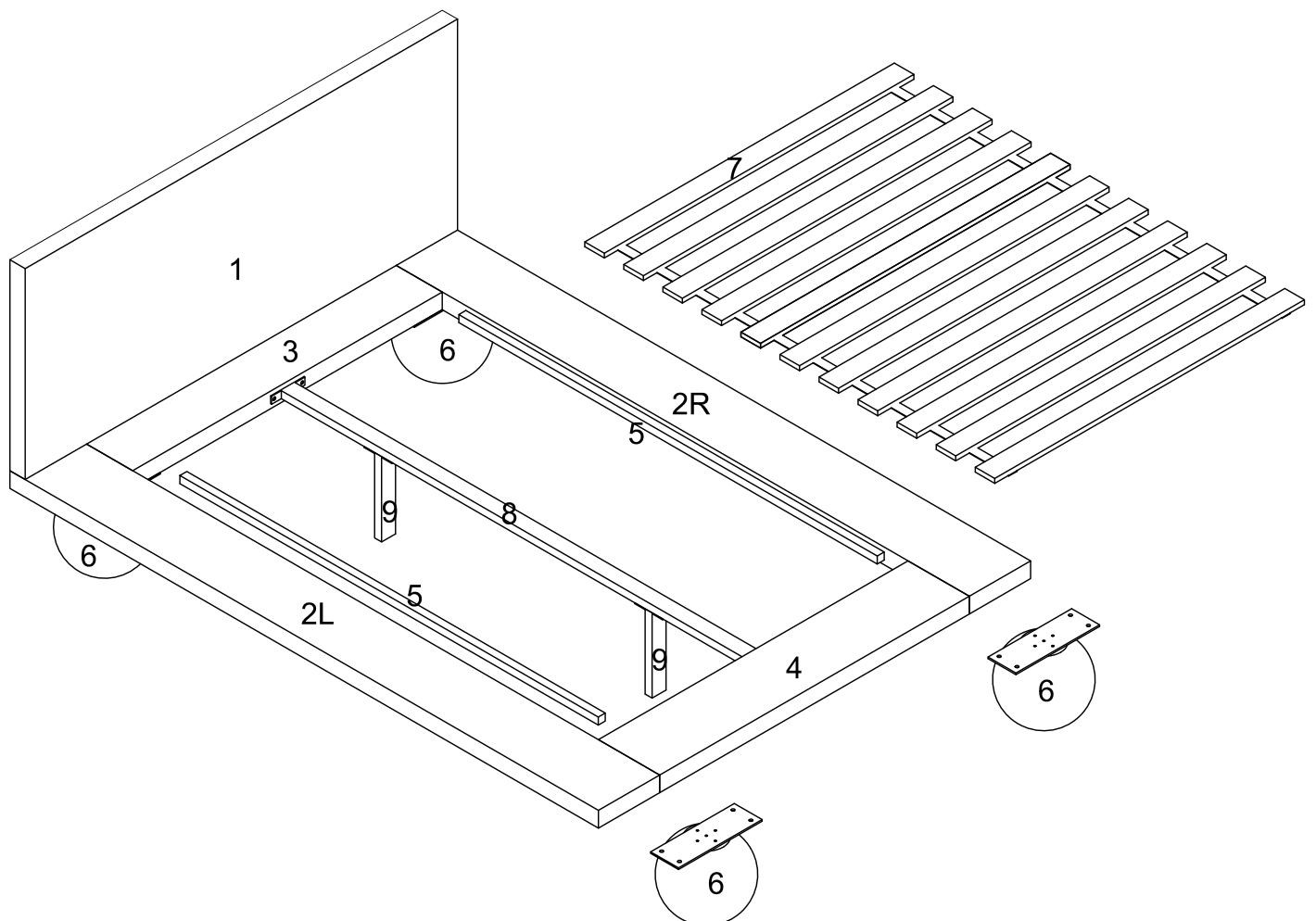
No. O
Quantity:4Pcs
Metal Plate



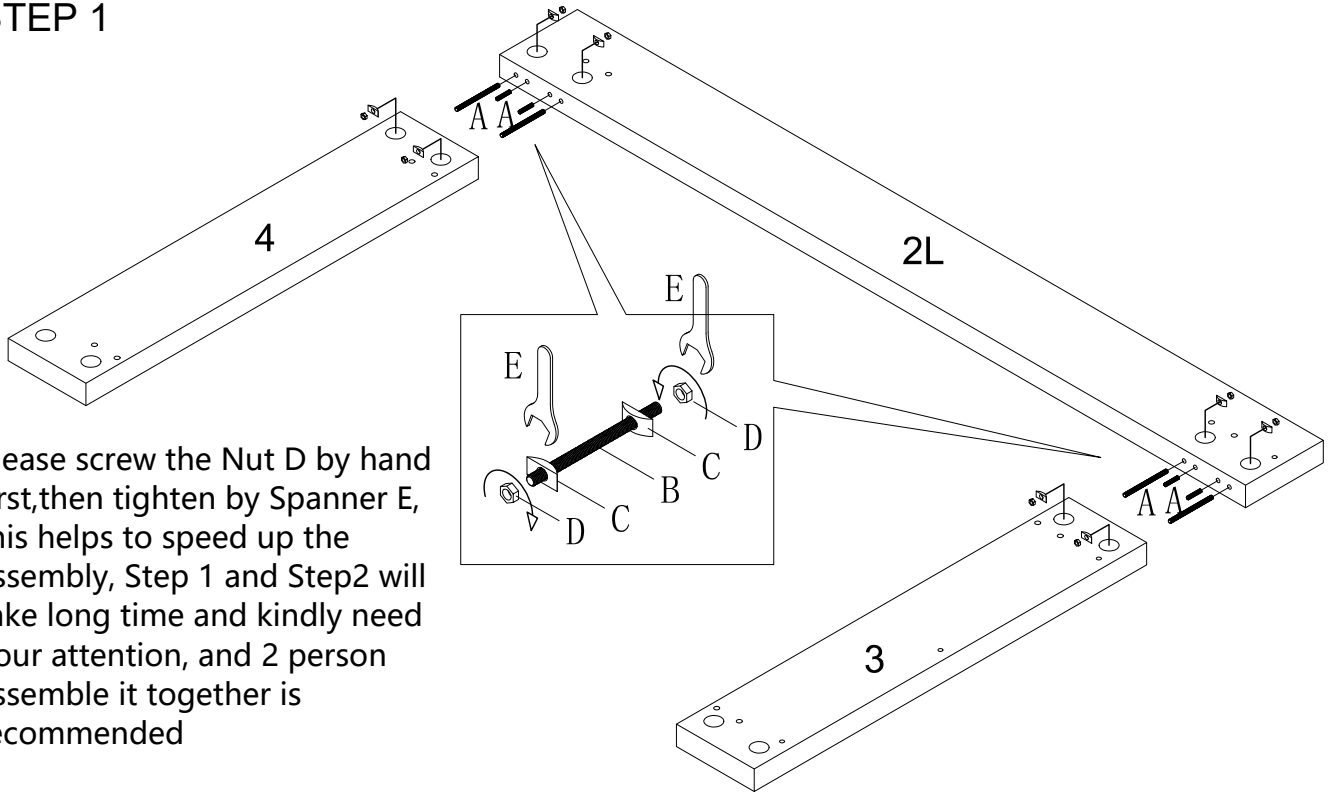
Component Panels & part List

Please check you have all the panels are listed below.

- | | | | | |
|-----|---------------------|-------|-----|---------|
| 1. | HEADBOARD | | x1 | CTN 2/4 |
| 2L. | SIDE RAIL-LEFT | | x1 | CTN 3/4 |
| 2R. | SIDE RAIL-RIGHT | | x1 | CTN 3/4 |
| 3. | BED END-1 | | x1 | CTN 1/4 |
| 4. | BED END-2 | | x1 | CTN 1/4 |
| 5. | SIDE SUPPORT BAR | | x2 | CTN 3/4 |
| 6. | LEG | | x4 | CTN 4/4 |
| 7. | BED SLATS | | x11 | CTN 1/4 |
| 8. | MIDDLE SUPPORT TUBE | | x1 | CTN 3/4 |
| 9. | MIDDLE SUPPORT LEG | | x2 | CTN 3/4 |



STEP 1



please screw the Nut D by hand first, then tighten by Spanner E, this helps to speed up the assembly, Step 1 and Step 2 will take long time and kindly need your attention, and 2 person assemble it together is recommended

No. A
Quantity: 4Pcs
Dowel
M10*40mm



No. B
Quantity: 4Pcs
Full Thread Screw
M8*120mm



No. C
Quantity: 8Pcs
Half-moon part



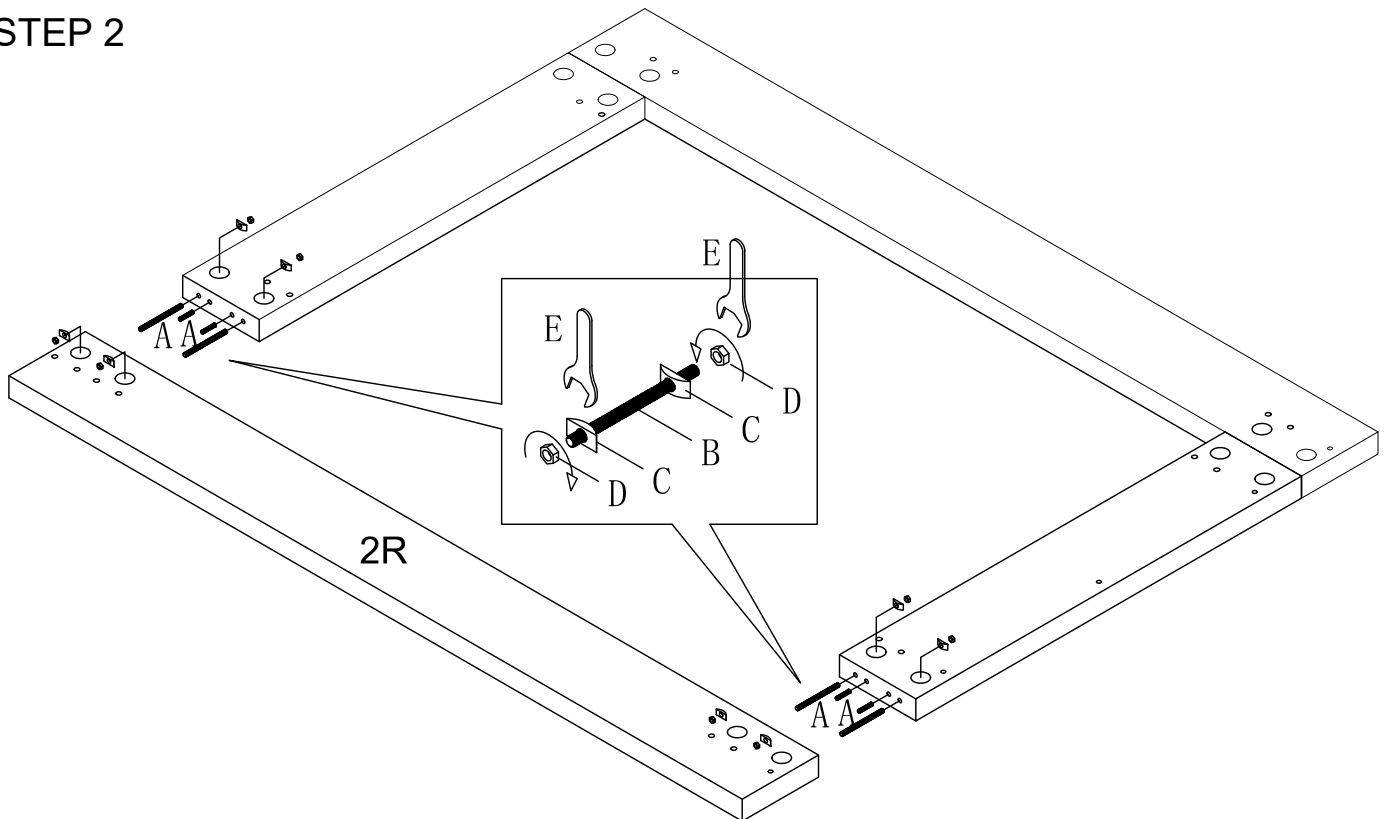
No. D
Quantity: 8Pcs
Hexagon Nuts M8
M8



No. E
Quantity: 2Pcs
Spanner



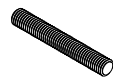
STEP 2



No. A
Quantity: 4Pcs
Dowel
M10*40mm



No. B
Quantity: 4Pcs
Full Thread Screw
M8*120mm



No. C
Quantity: 8Pcs
Half-moon part



No. D
Quantity: 8Pcs
Hexagon Nuts M8
M8

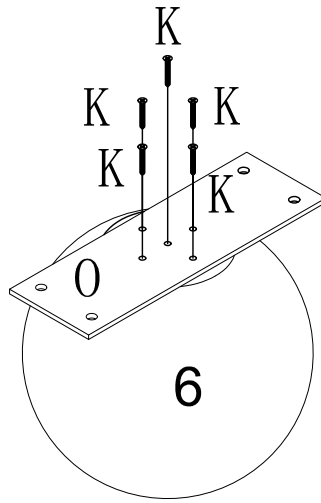


No. E
Quantity: 2Pcs
Spanner



BLC-BF-K 6

STEP 3

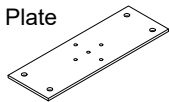


X4

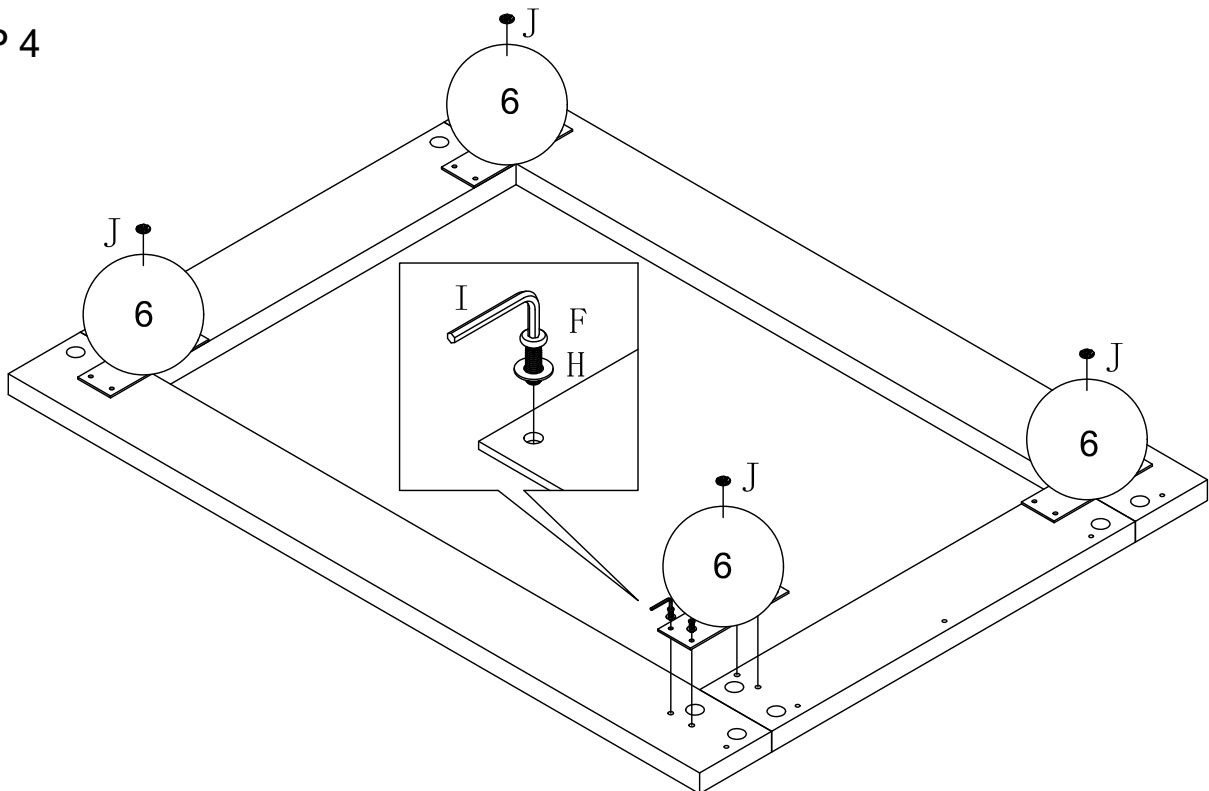
No. K
Quantity:20 Pcs
Screw
4*25mm



No. O
Quantity:4Pcs
Metal Plate



STEP 4



No. F
Quantity:16 Pcs
Screw
M8*25mm



No. H
Quantity:16Pcs
Screw
φ22



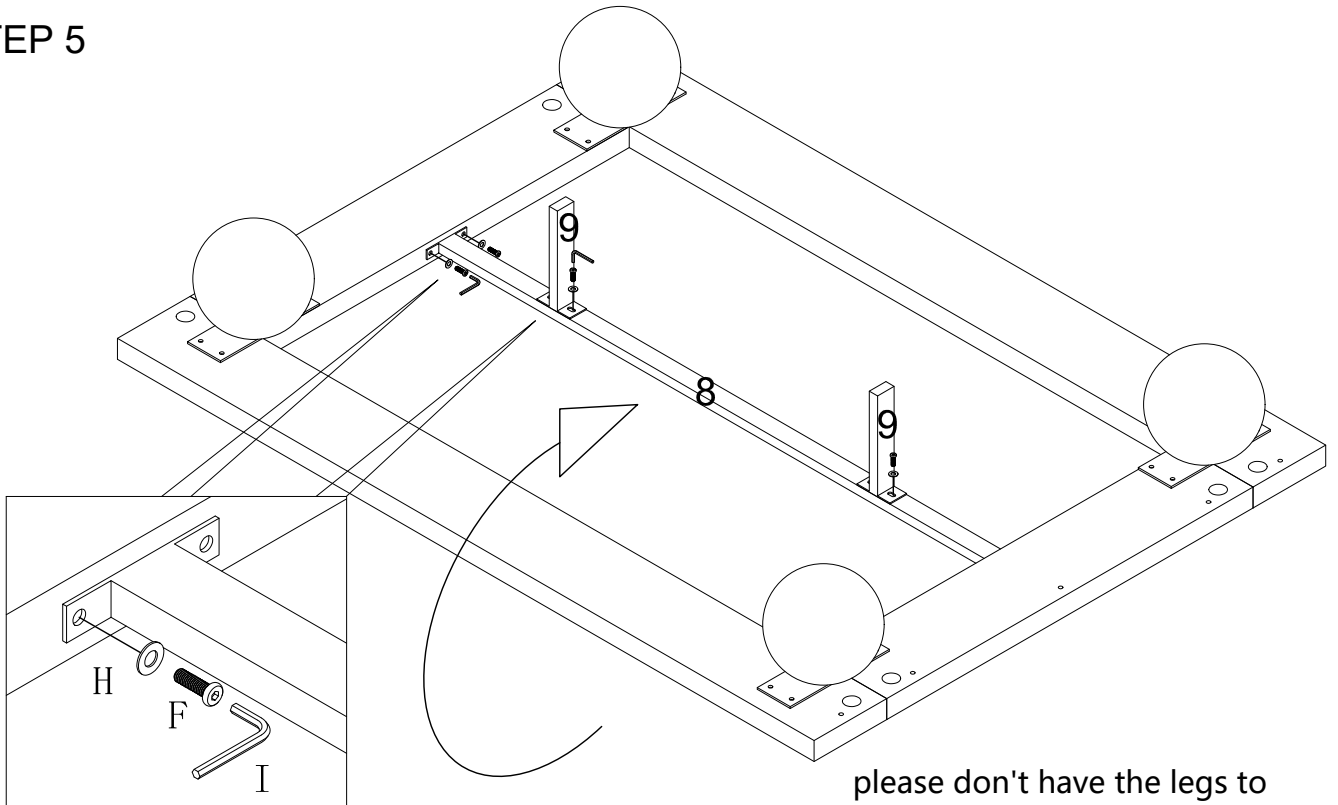
No. I
Quantity:1 Pcs
Allen Key
5#



No. J
Quantity:4 Pcs
Foot Pad
φ25



STEP 5



No. F
Quantity: 8 Pcs
Screw
M8*25mm



No. H
Quantity: 8 Pcs
Screw
φ22

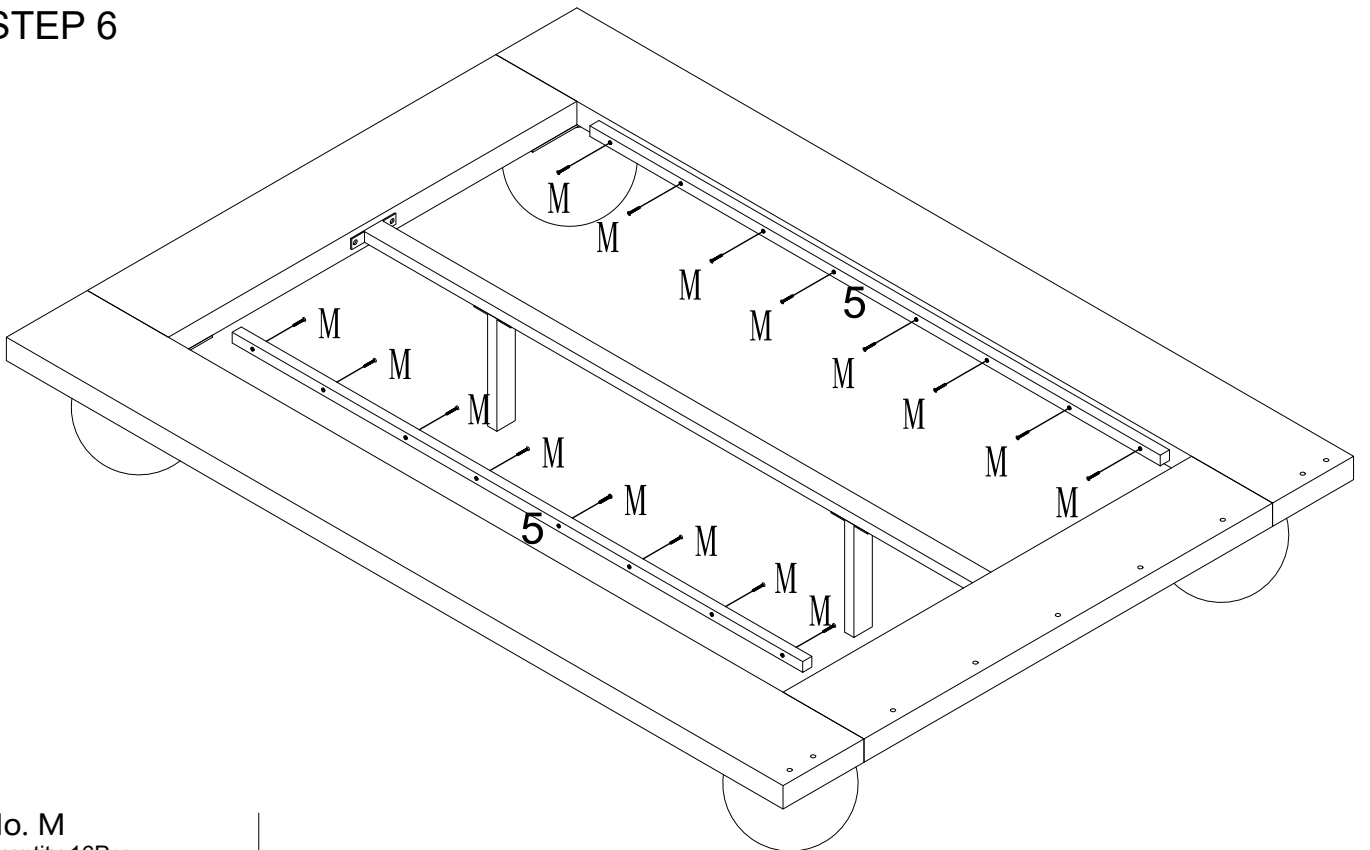


No. I
Quantity: 1 Pcs
Allen Key
5#

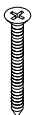


please don't have the legs to stand on floor only when turn the bed frame as the weight of the product may damage the legs

STEP 6

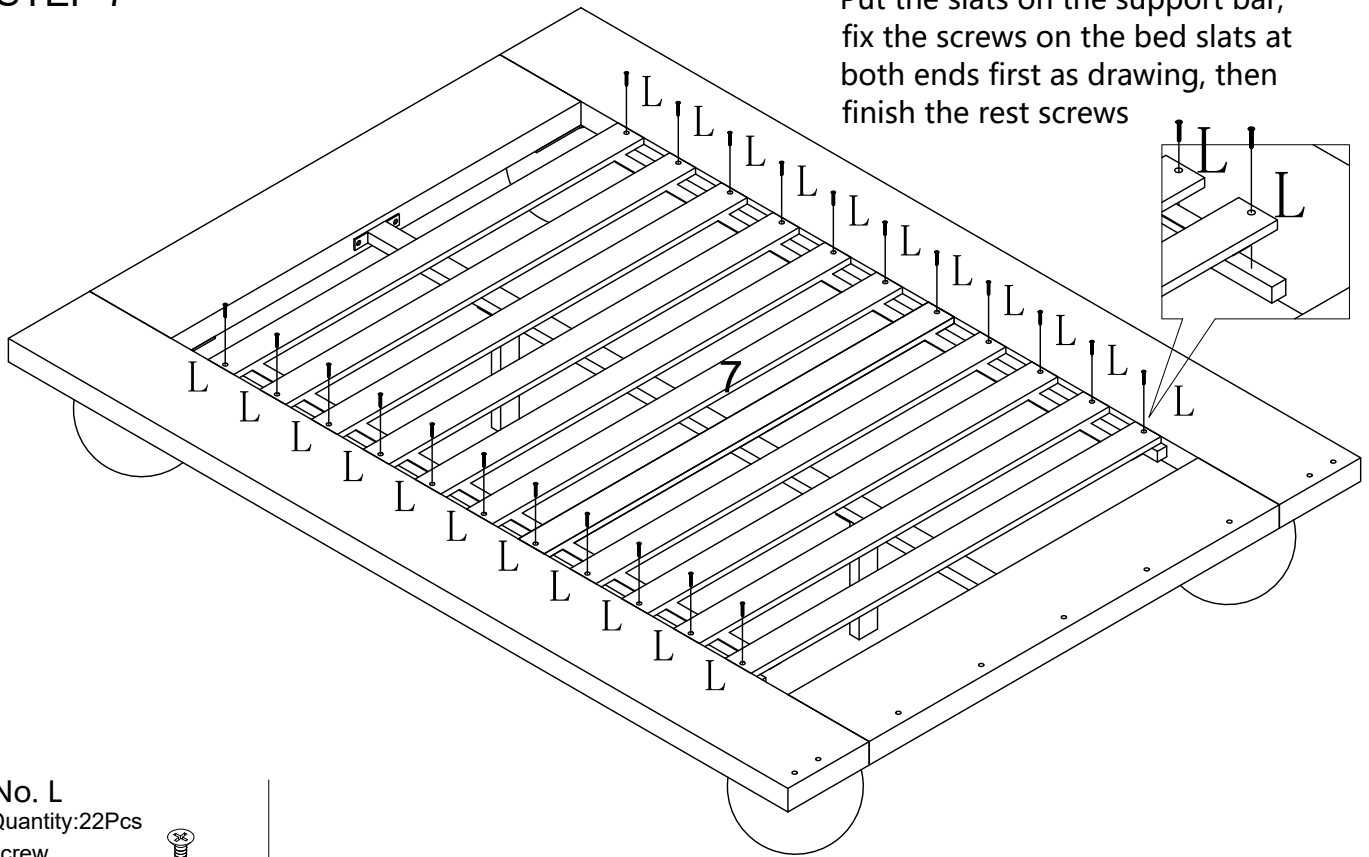


No. M
Quantity: 16Pcs
Screw
4*45mm



STEP 7

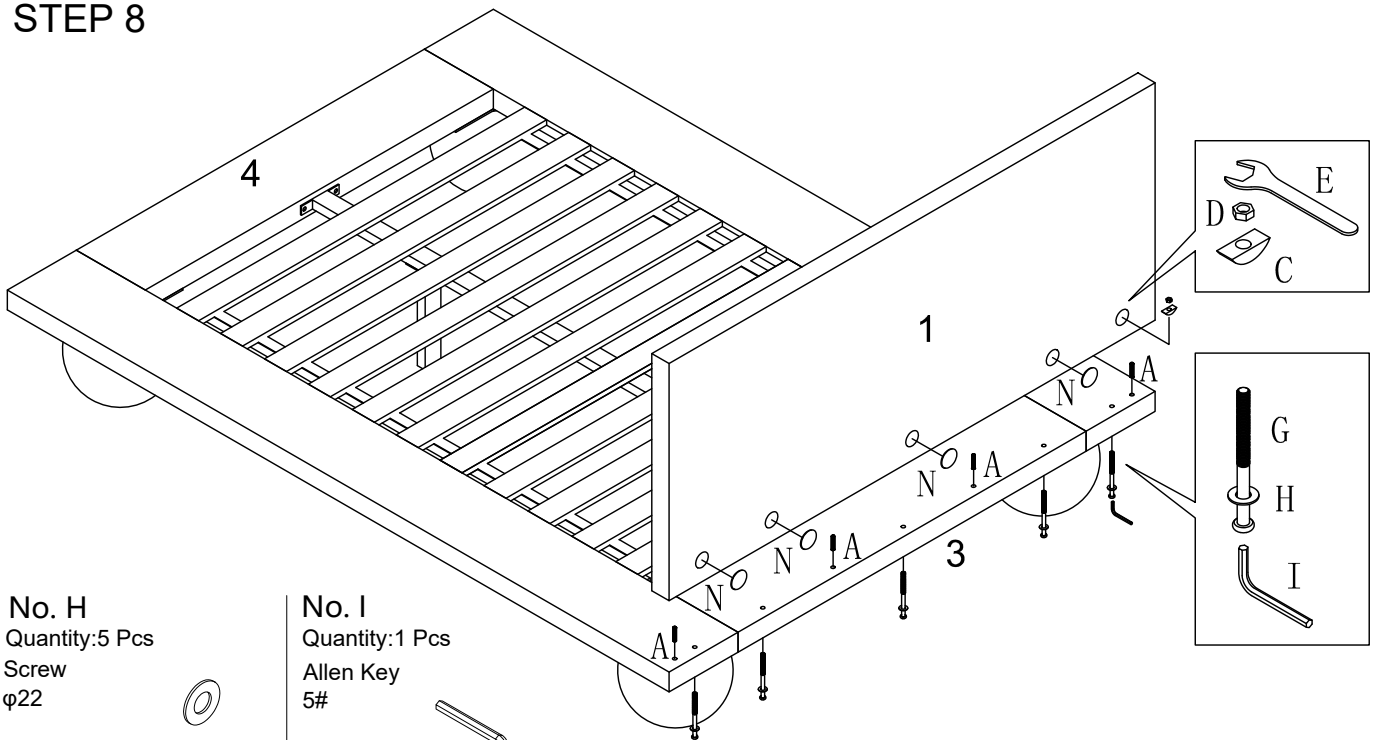
Put the slats on the support bar, fix the screws on the bed slats at both ends first as drawing, then finish the rest screws



No. L
Quantity:22Pcs
Screw
4*30mm



STEP 8



No. H
Quantity:5 Pcs
Screw
φ22



No. I
Quantity:1 Pcs
Allen Key
5#



No. A
Quantity:4Pcs
Dowel
M10*40mm



No. C
Quantity:5Pcs
Half-moon part



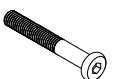
No. D
Quantity:5Pcs
Hexagon Nuts M8
M8



No. E
Quantity:1Pcs
Spanner



No. G
Quantity:5Pcs
Screw
M8*120mm



BLC-BF-K 9

lifely.com.au

Great job. You're done!

Don't forget to share how it looks in
your space and tag us on Instagram.
@lifelyhome#homewithlifely!