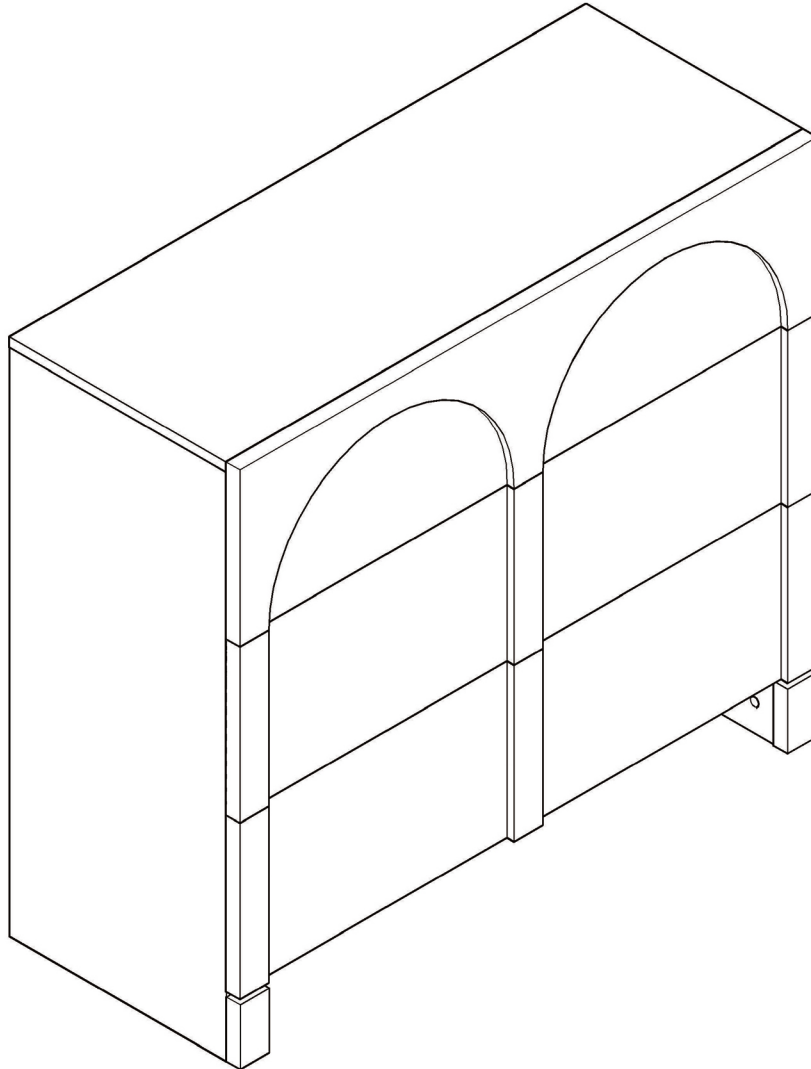


Assembly Instructions

ARCH SERIES



Lifely*

Product Code
ARH-SB100-WHT
Arch Sideboard

Dimensions (W x D x H)
1000*400*900mm

Important

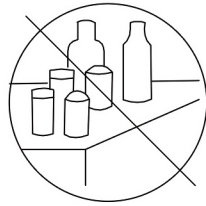
Please read through instruction carefully
Before assembly and keep for future reference.

For our full catalogue of assembly instructions,
Visit: lifely.com.au/assembly.

Important Tips and Maintenance



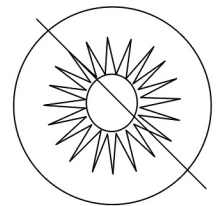
1. Keep children and animals away from working area as smaller parts may cause choking if swallowed.



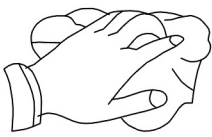
2. Never place liquids or anything damp upon furniture as it will mark. Ensure a coaster or running is beneath.



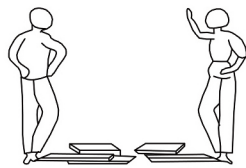
3. Never use ammonia based cleaning products as it will damage the finish.



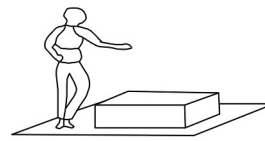
4. To avoid fading, keep furniture out of direct sunlight.



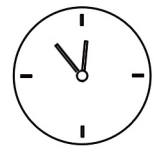
5. Use a soft or damp cloth (dry cloth) when wiping or cleaning surfaces.



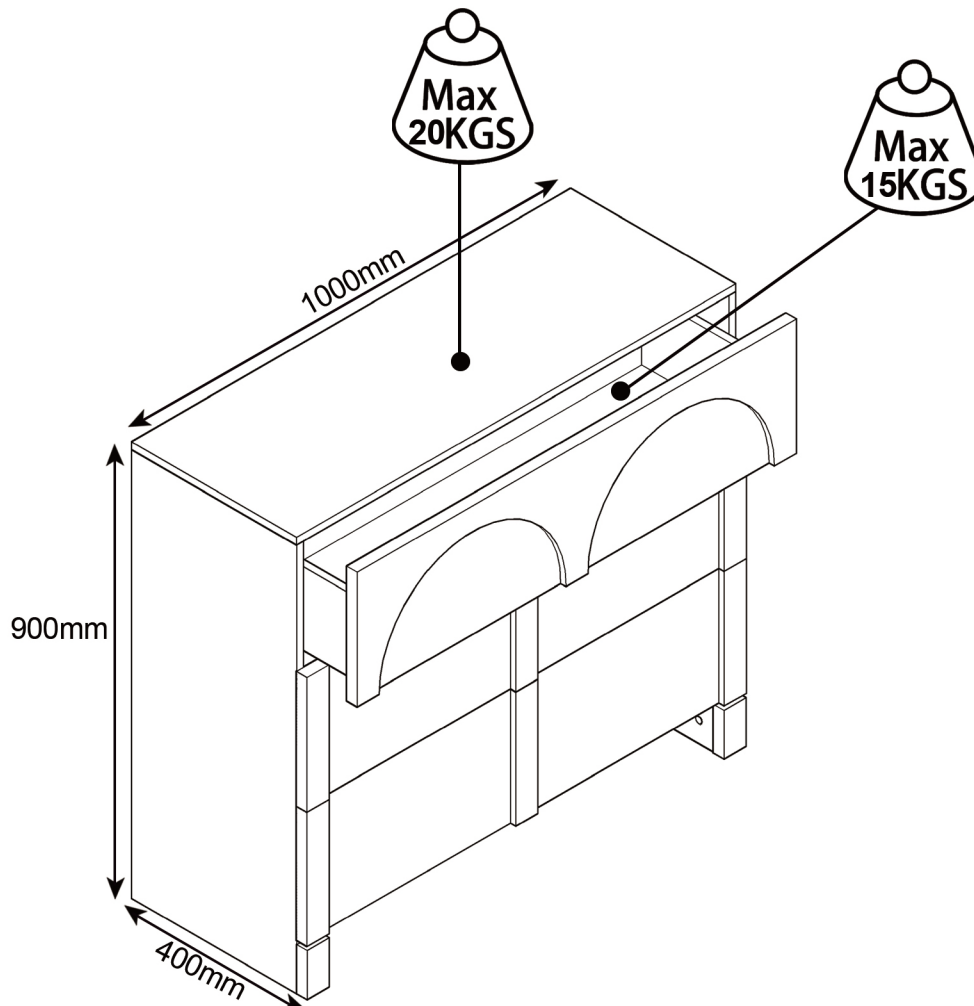
6. Two person are required.



7. Lay a soft matt down to protect the furniture piece before and during assembly.



8. SET-UP TIME: 50 MINUTE



So your relationship is strong. But is it flat-pack furniture strong? Unless you're an aerospace engineer, assembling furniture can be slightly stressful. We recommend meditating quietly, pouring yourself a herbal tea (or slightly less herbal wine) and tackling things one step at a time. If you feel a passive aggressive remark coming on, try a compliment instead. E.g. "You're so good looking".

This 18 -Step assembly should take around 50 minutes with an Allen Key-or 40 minutes with an electric drill. Godspeed.

Designed for everyday

Component Hardware

Please check you have all the fittings
part or tools are listed in below.

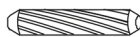
No. A
Quantity: 79Pcs
Cam Bolt



No. B
Quantity: 79Pcs
Cam Nut



No. C
Quantity: 26Pcs
Dowel



No. D
Quantity: 36Pcs
Screw 4*16mm



No. E
Quantity: 6Pcs
Guide



No. F
Quantity: 21Pcs
Sticker



No. G
Quantity: 2Pcs
Buckle



No. H
Quantity: 1Pc
Allen Key

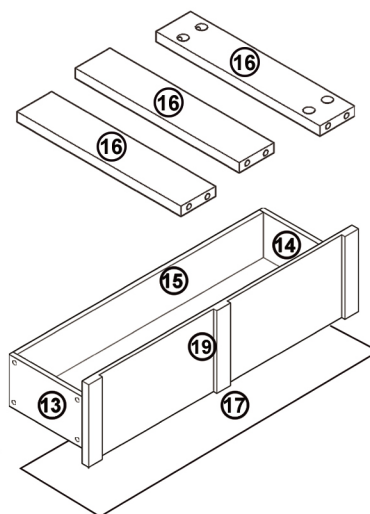
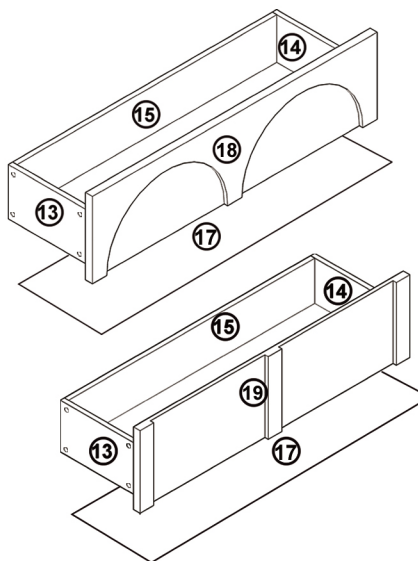
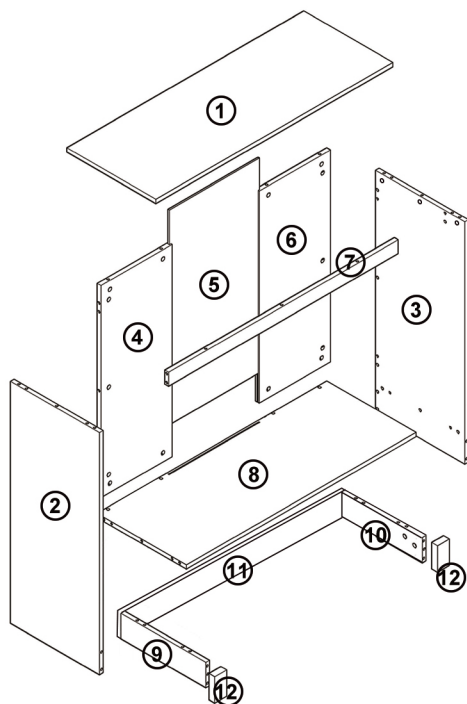


Part E is in the Carton 2/2, other Hardware are in the Carton 1/2

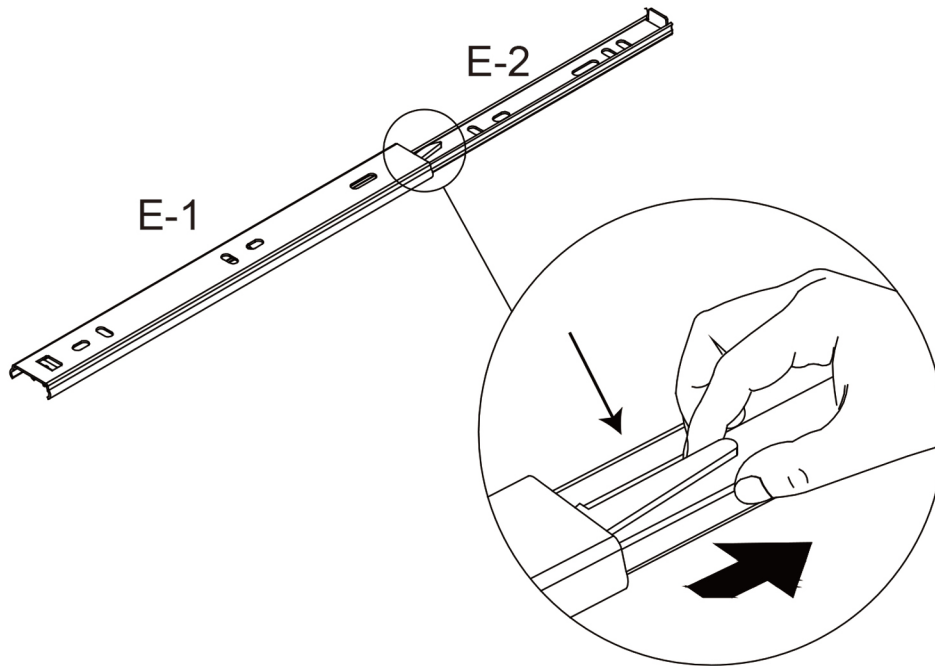
Component Panels & part List

Please check you have all the panels
are listed below.

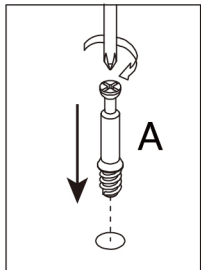
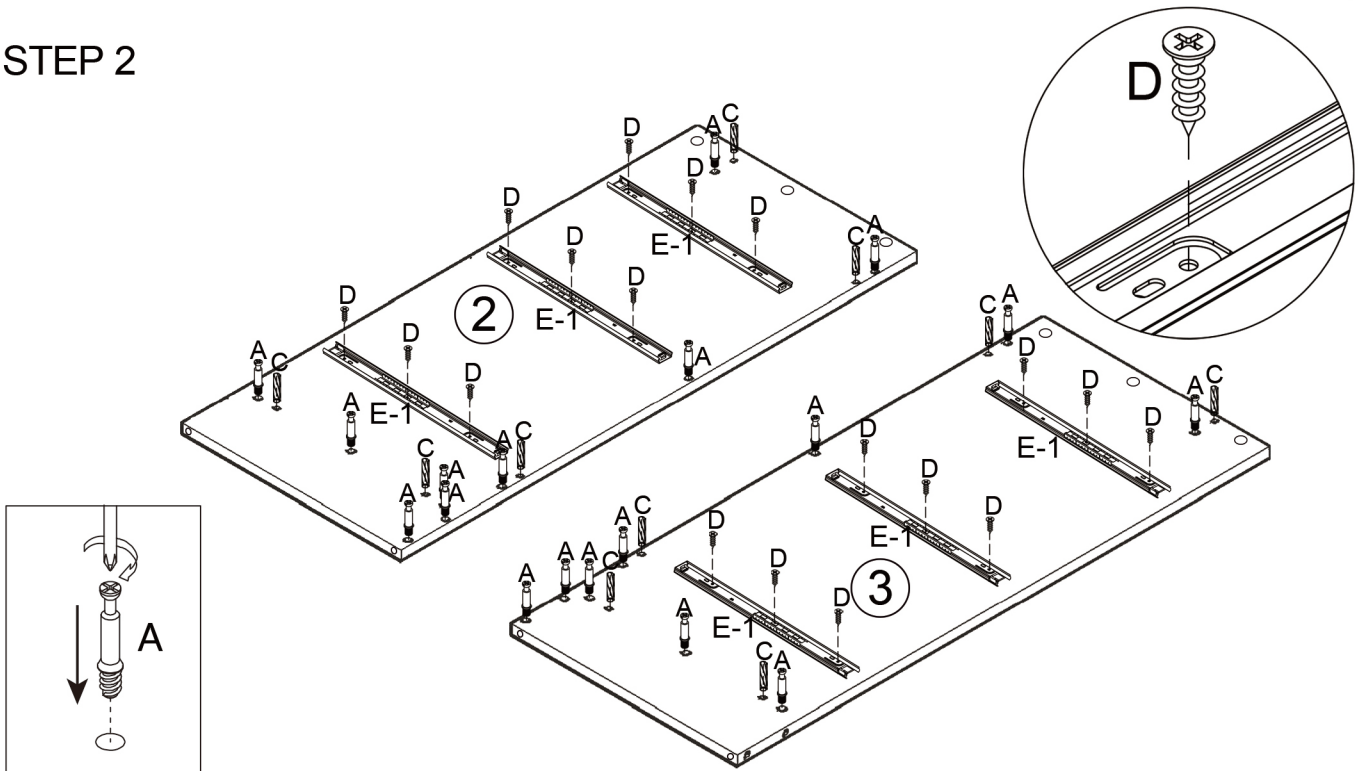
- | | | | | |
|-----|----------------------------|-------|----|------------|
| 1. | TOP PANEL | ----- | x1 | Carton 2/2 |
| 2. | LEFT SIDE PANEL | ----- | x1 | Carton 2/2 |
| 3. | RIGHT SIDE PANEL | ----- | x1 | Carton 2/2 |
| 4. | BACK PANEL A | ----- | x1 | Carton 2/2 |
| 5. | BACK PANEL B | ----- | x1 | Carton 2/2 |
| 6. | BACK PANEL C | ----- | x1 | Carton 2/2 |
| 7. | BACK PANEL FIXED WOODEN | ----- | x1 | Carton 2/2 |
| 8. | BOTTOM PANEL | ----- | x1 | Carton 2/2 |
| 9. | BASE LEFT PANEL | ----- | x1 | Carton 2/2 |
| 10. | BASE RIGHT PANEL | ----- | x1 | Carton 2/2 |
| 11. | BASE BACK PANEL | ----- | x1 | Carton 1/2 |
| 12. | SUPPORT LEG | ----- | x2 | Carton 1/2 |
| 13. | DRAWER LEFT PANEL | ----- | x3 | Carton 2/2 |
| 14. | DRAWER RIGHT PANEL | ----- | x3 | Carton 2/2 |
| 15. | DRAWER BACK PANEL | ----- | x3 | Carton 1/2 |
| 16. | BOTTOM FIXED WOODEN DRAWER | ----- | x3 | Carton 2/2 |
| 17. | DRAWER BOTTOM PANEL | ----- | x3 | Carton 2/2 |
| 18. | FRONT DRAWER PANEL | ----- | x1 | Carton 1/2 |
| 19. | BOTTOM DRAWER PANEL | ----- | x2 | Carton 1/2 |



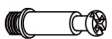
STEP 1



STEP 2



No. A
Quantity: 18Pcs
Cam Bolt



No. C
Quantity: 10Pcs
Dowel



No. D
Quantity: 18Pcs
Screw 4*16mm



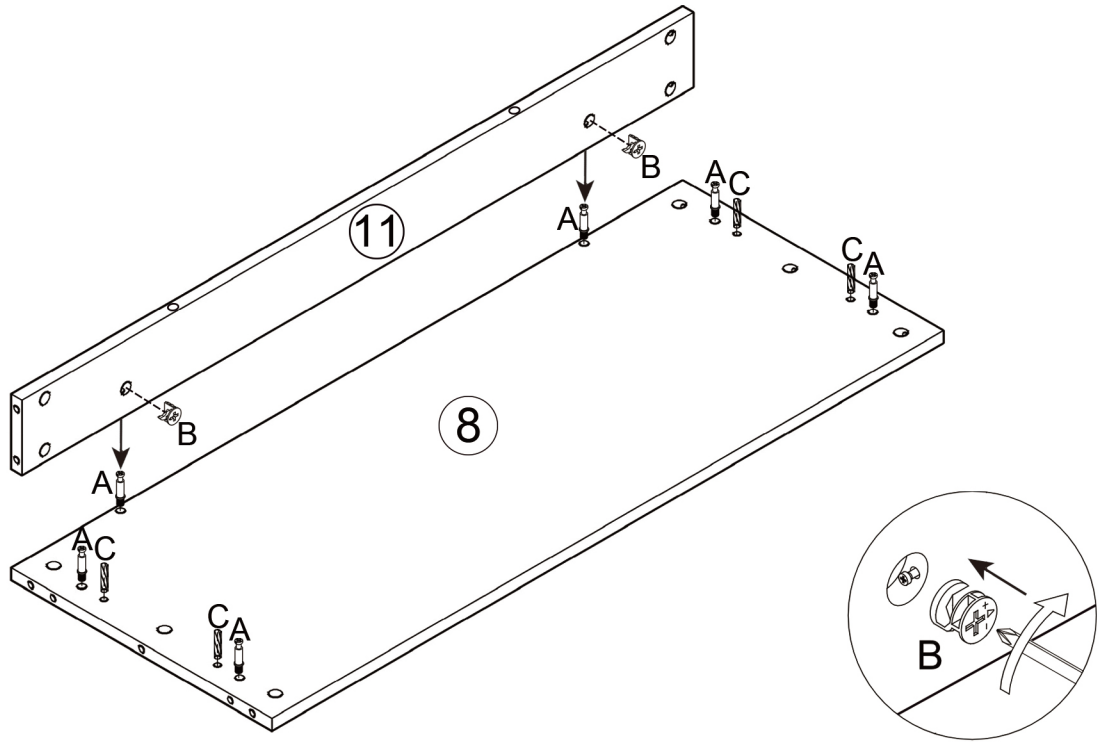
No. E-1
Quantity: 6Pcs
Guide



No. H
Quantity: 1Pc
Allen Key



STEP 3



No. A
Quantity: 6Pcs
Cam Bolt



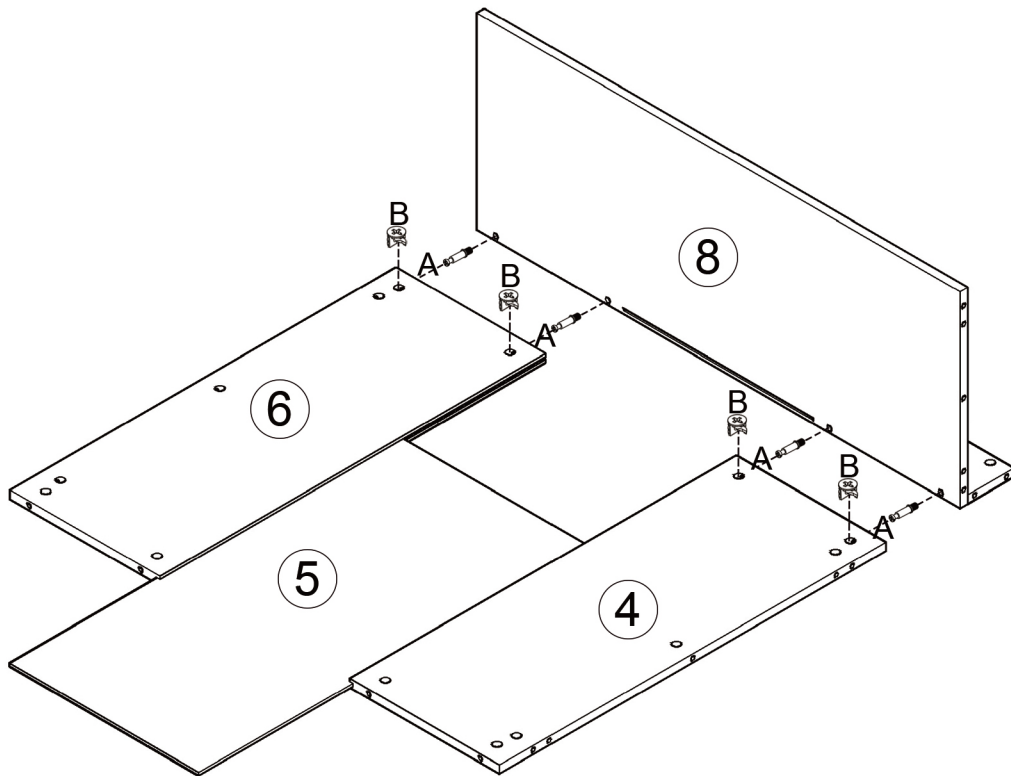
No. C
Quantity: 4Pcs
Dowel



No. B
Quantity: 2Pcs
Cam Nut



STEP 4



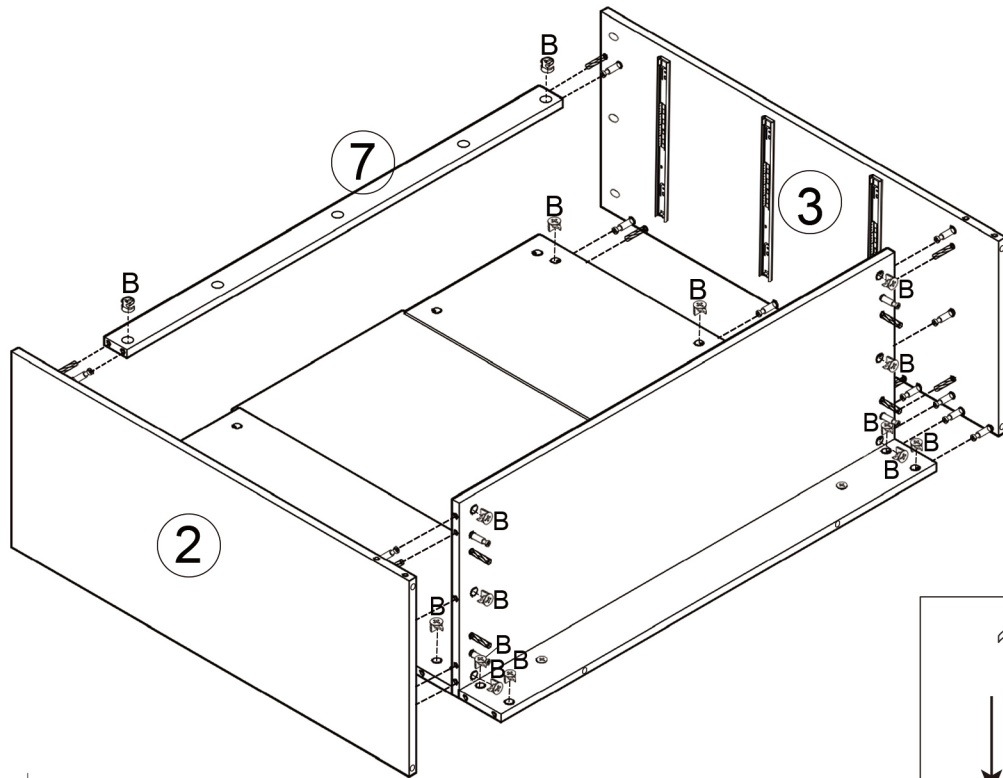
No. A
Quantity: 4Pcs
Cam Bolt



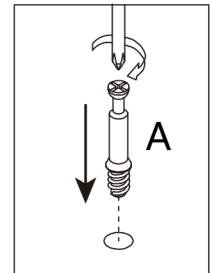
No. B
Quantity: 4Pcs
Cam Nut



STEP 5

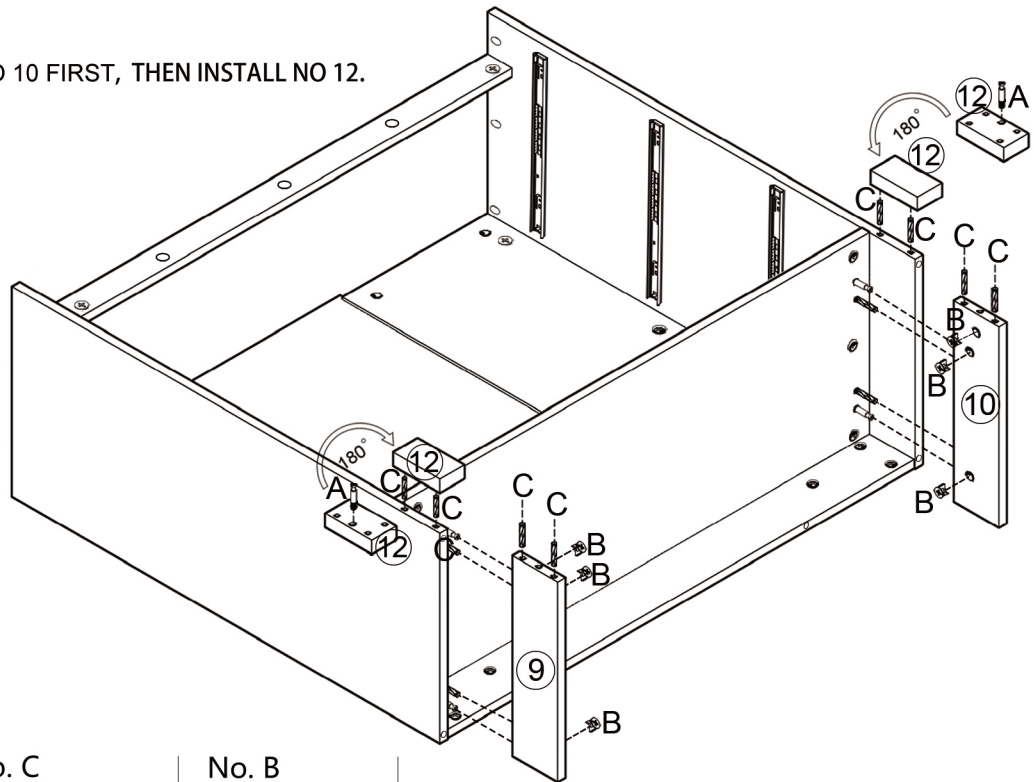


No. B
Quantity: 18Pcs
Cam Nut

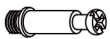


STEP 6

INSTALL THE NO 9 & NO 10 FIRST, THEN INSTALL NO 12.



No. A
Quantity: 2Pcs
Cam Bolt



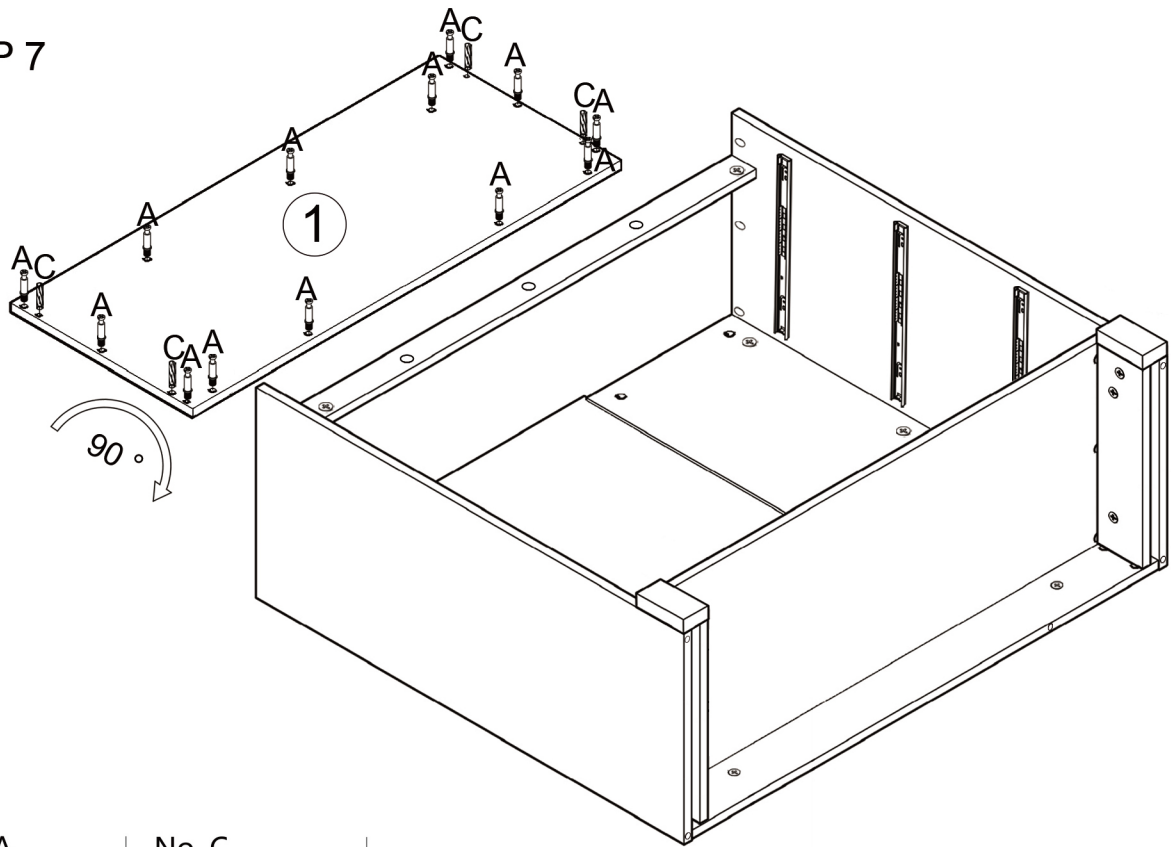
No. C
Quantity: 8Pcs
Dowel



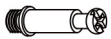
No. B
Quantity: 6Pcs
Cam Nut



STEP 7



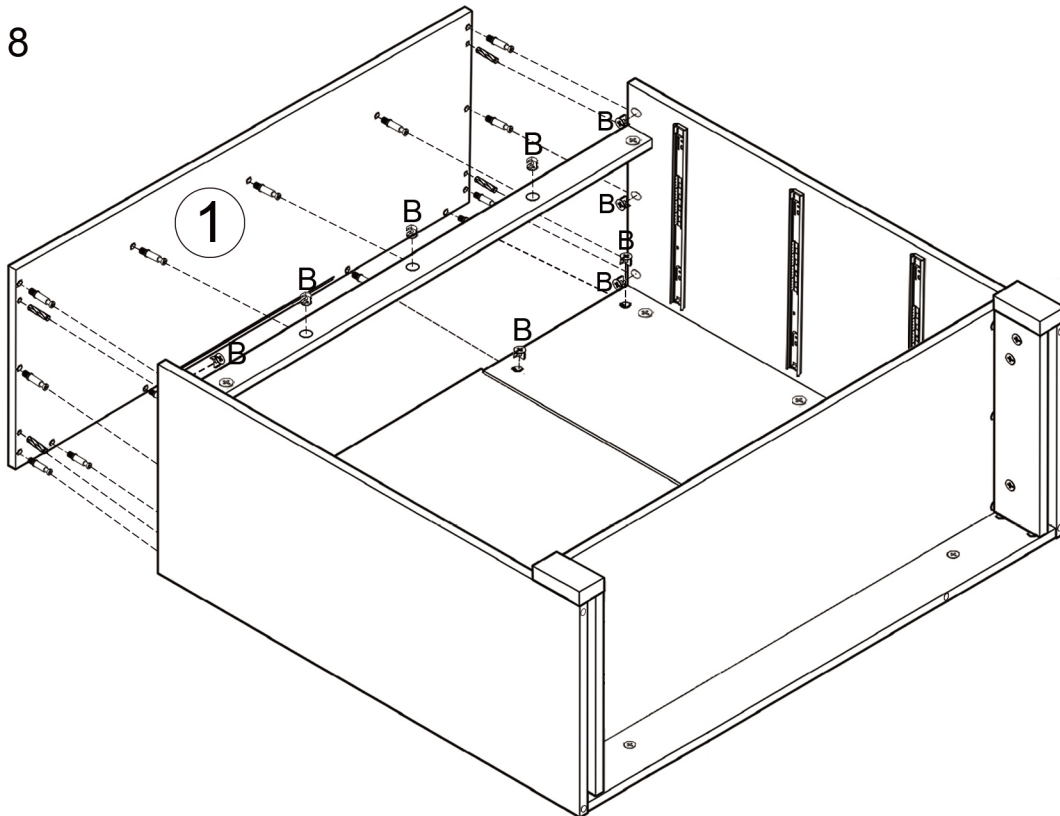
No. A
Quantity: 13Pcs
Cam Bolt



No. C
Quantity: 4Pcs
Dowel



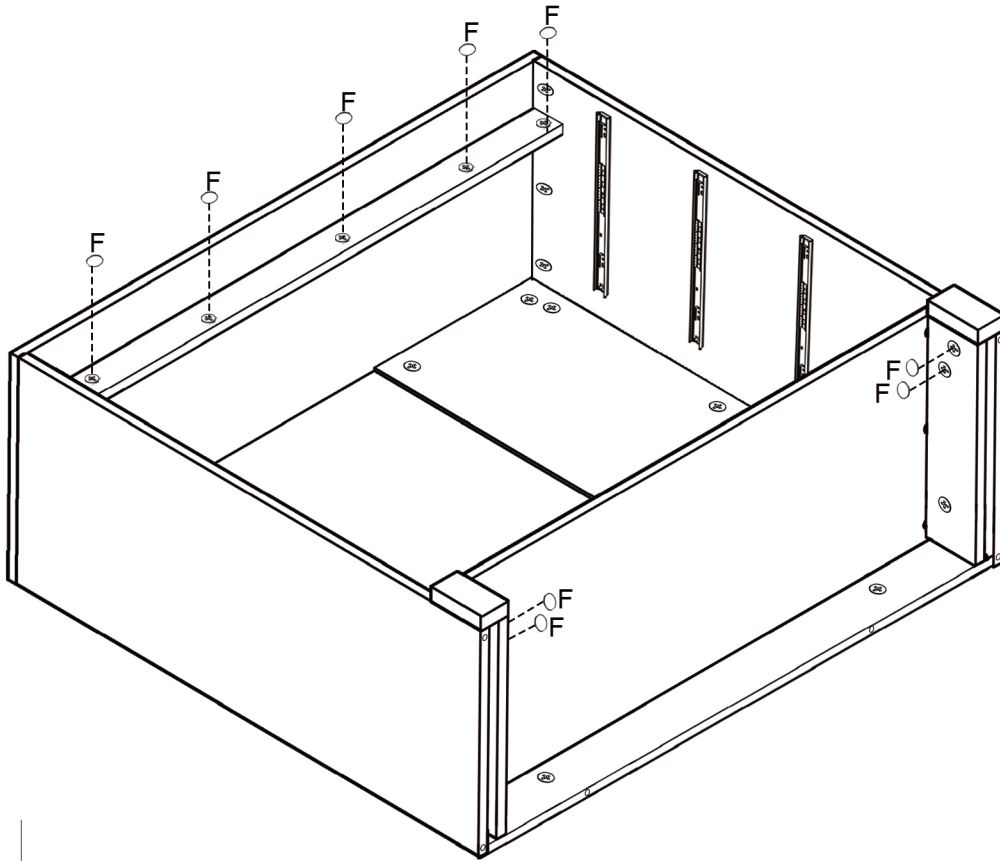
STEP 8



No. B
Quantity: 13Pcs
Cam Nut



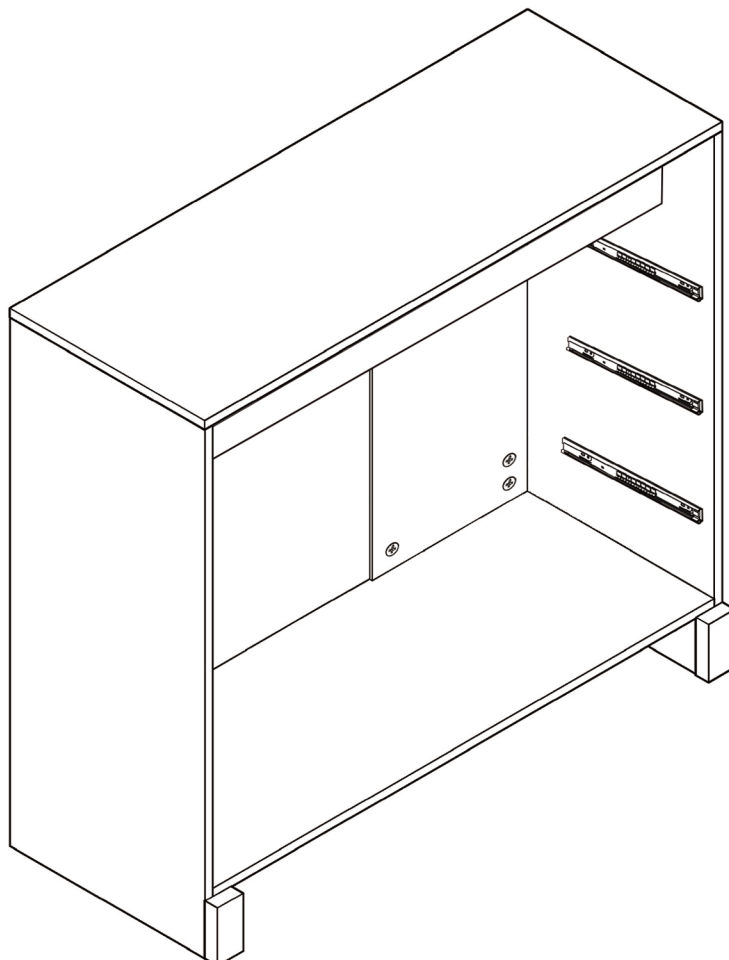
STEP 9



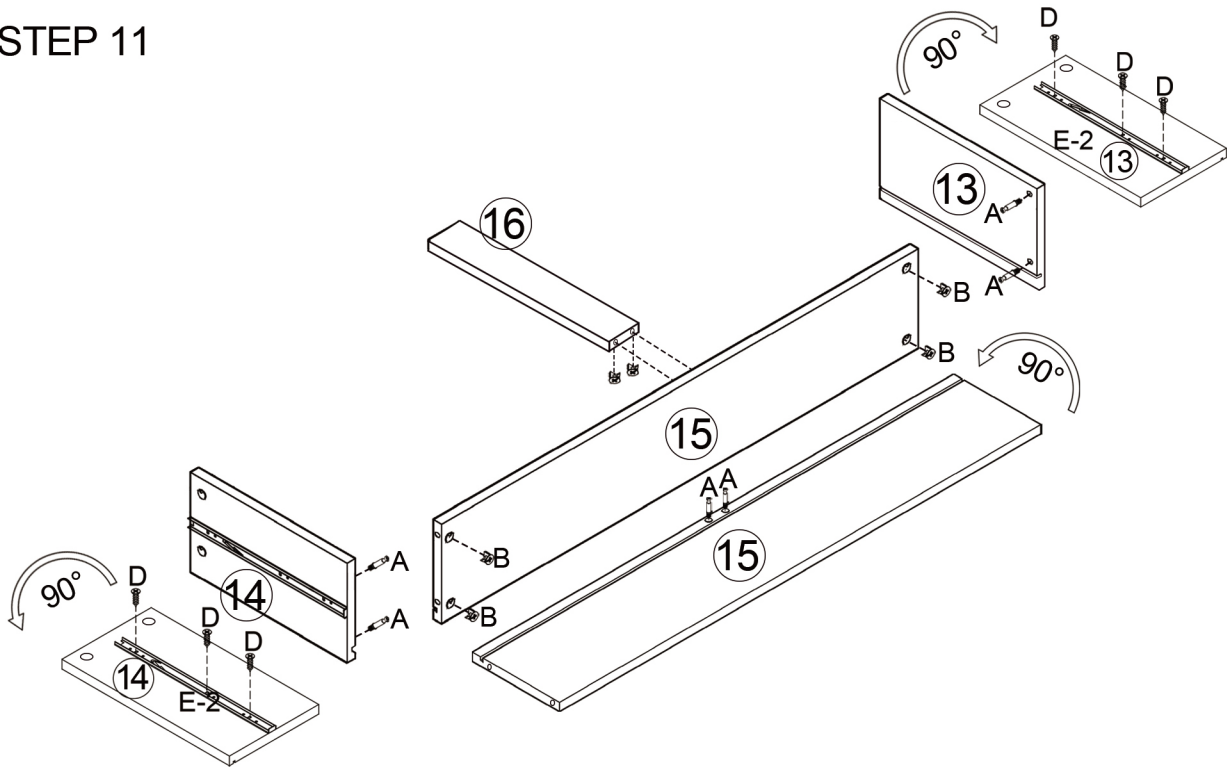
No. F
Quantity: 9Pcs
Sticker



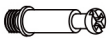
STEP 10



STEP 11



No. A
Quantity: 6Pcs
Cam Bolt



No. B
Quantity: 6Pcs
Cam Nut



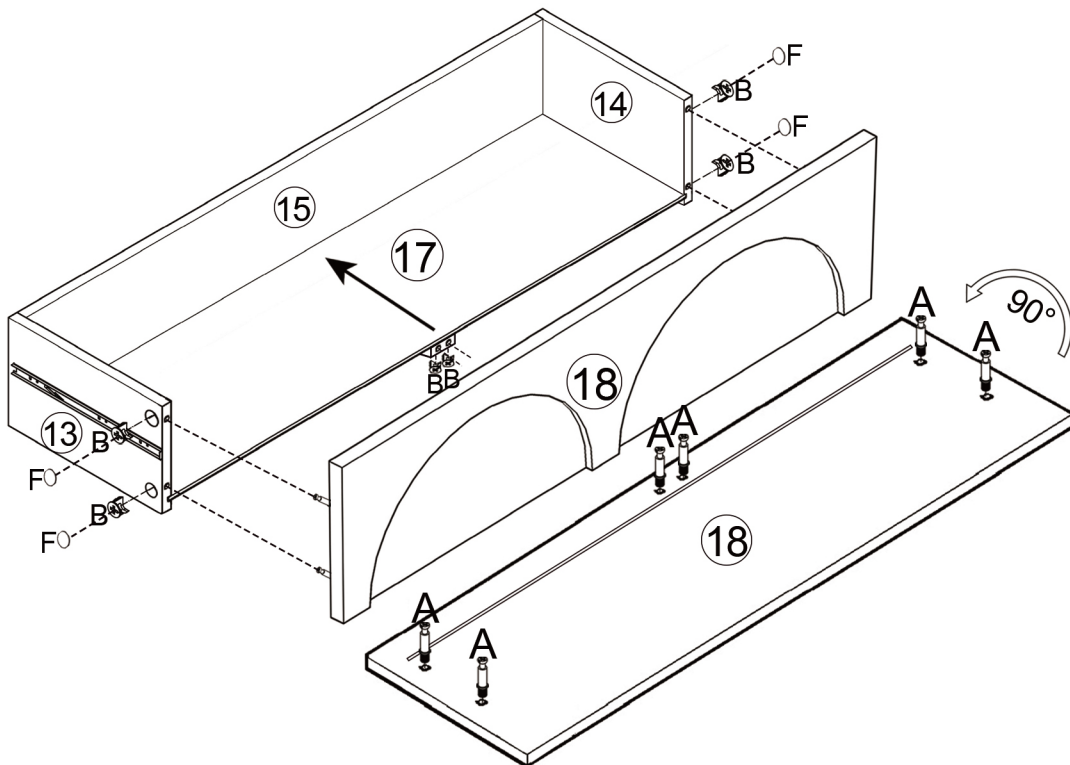
No. E-2
Quantity: 2Pcs
Guide



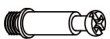
No. D
Quantity: 6Pcs
Screw 4*16mm



STEP 12



No. A
Quantity: 6Pcs
Cam Bolt



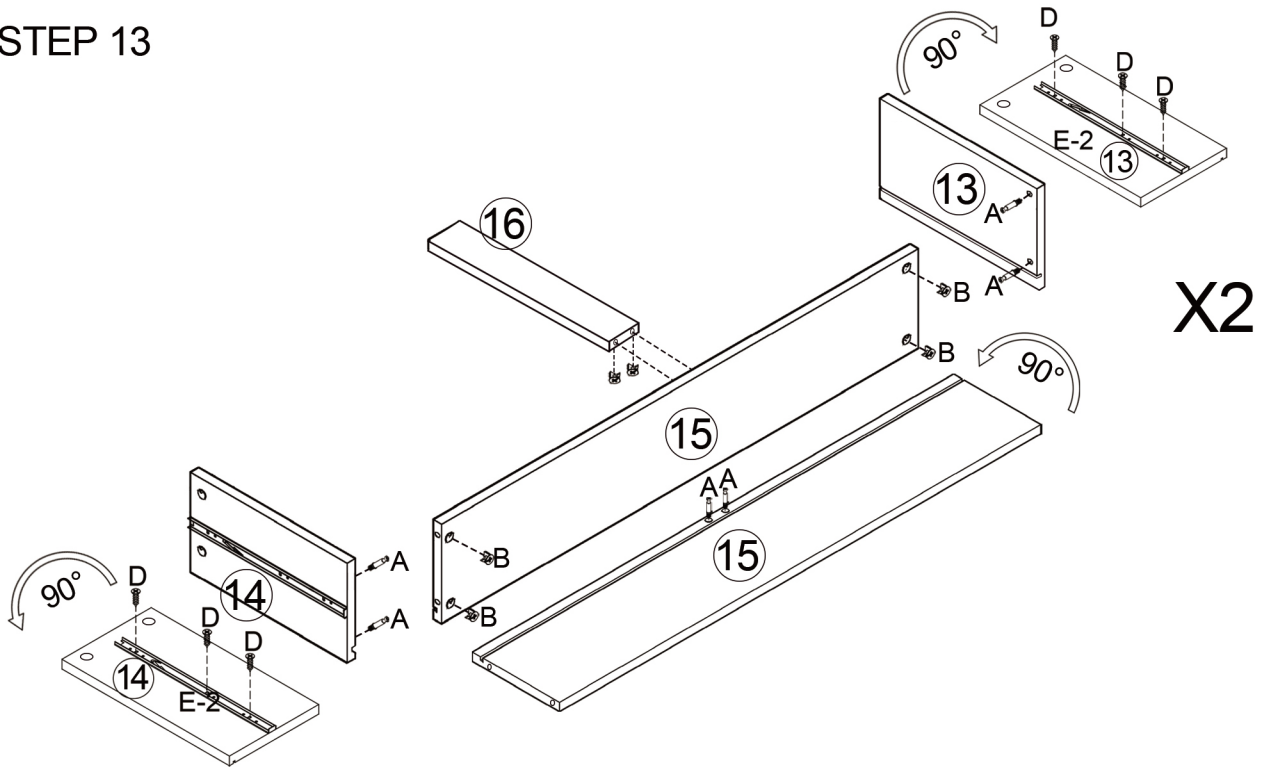
No. B
Quantity: 6Pcs
Cam Nut



No. F
Quantity: 4Pcs
Sticker

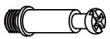


STEP 13



X2

No. A
Quantity: 12Pcs
Cam Bolt



No. B
Quantity: 12Pcs
Cam Nut



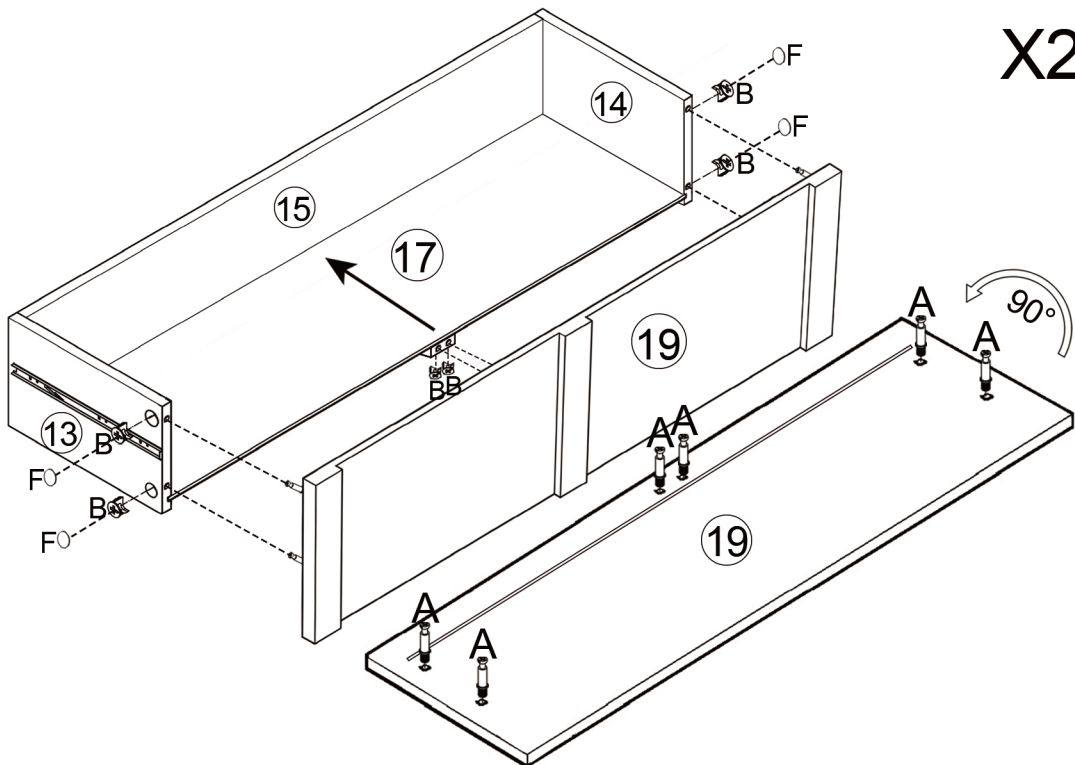
No. E-2
Quantity: 4Pcs
Guide



No. D
Quantity: 12Pcs
Screw 4*16mm

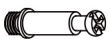


STEP 14



X2

No. A
Quantity: 12Pcs
Cam Bolt



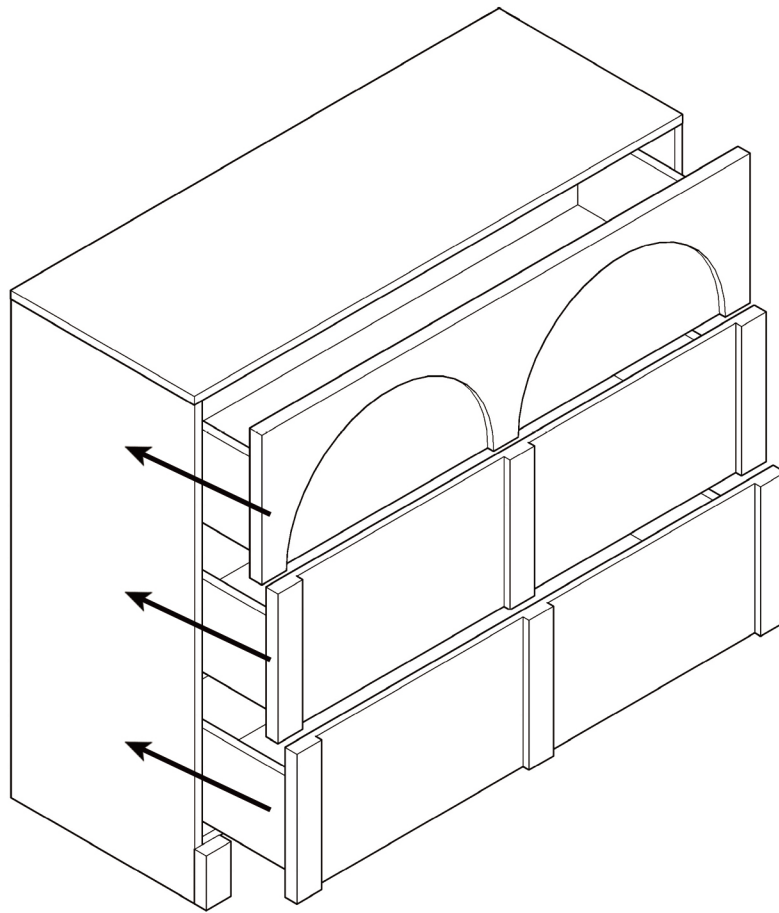
No. B
Quantity: 12Pcs
Cam Nut



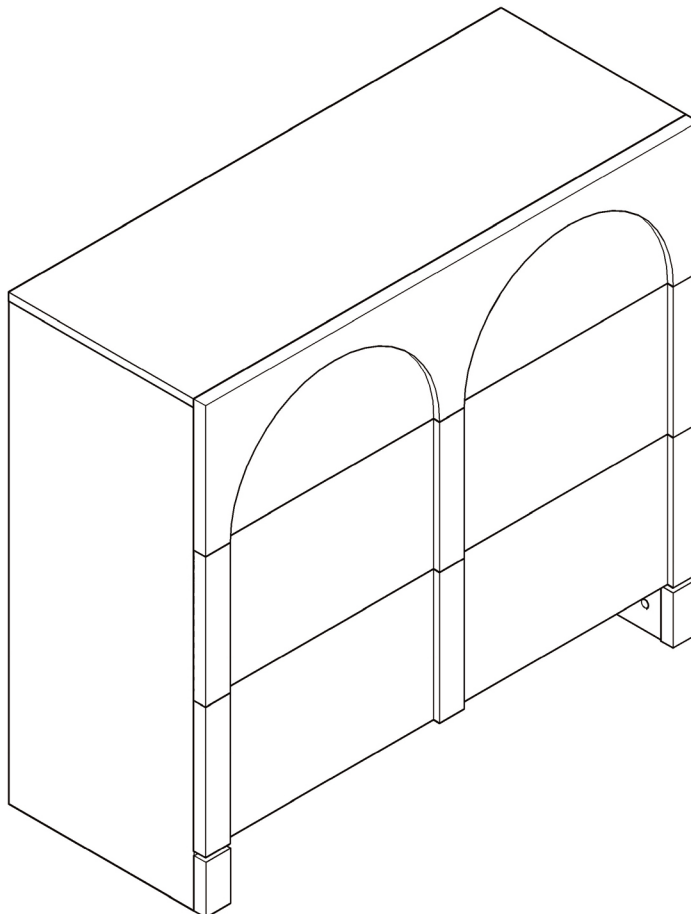
No. F
Quantity: 8Pcs
Sticker



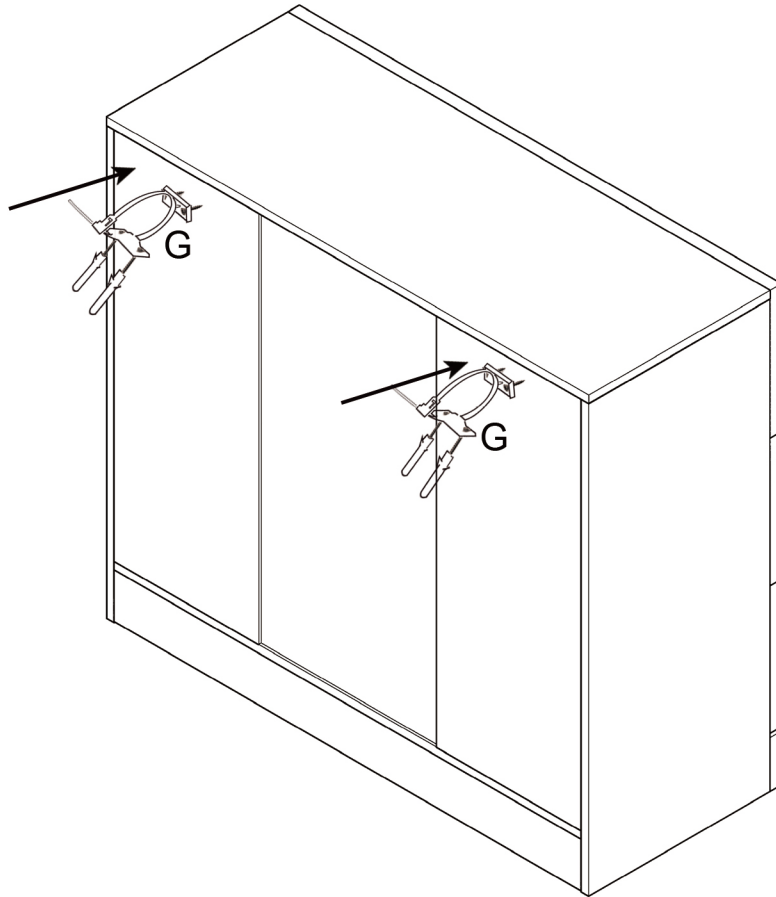
STEP 15



STEP 16

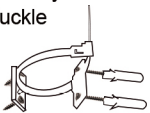


STEP 17

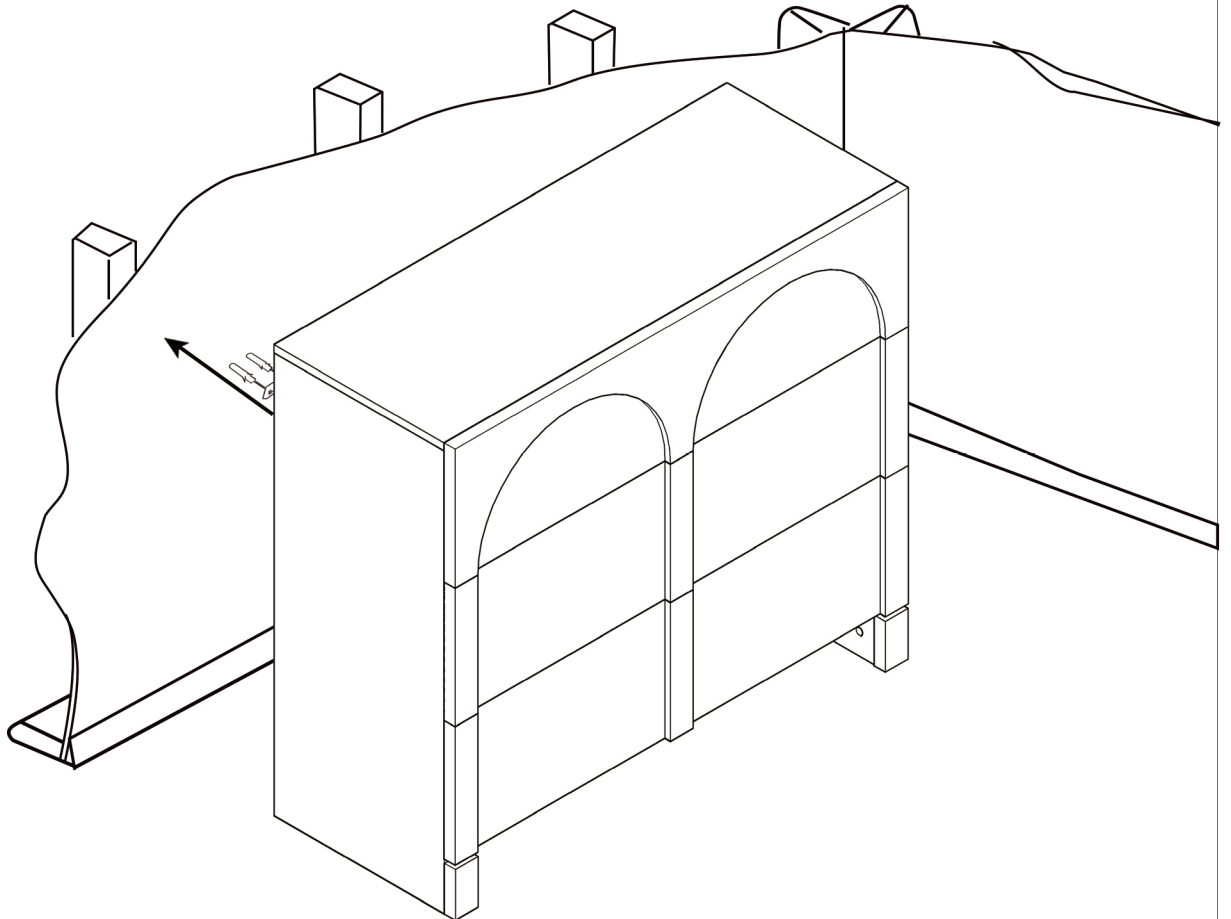


No. G

Quantity: 2Pcs
Buckle



STEP 18



lifely.com.au

Great job. You're done!

Don't forget to share how it looks in
your space and tag us on Instagram.
[@lifelyhome](#)[#homewithlifely!](#)