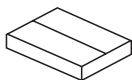


Kave® Cares



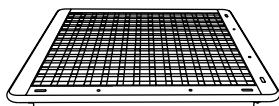
20 min



x1



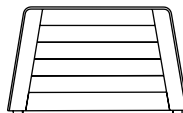
x1



A x1



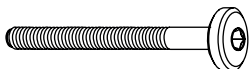
B x4



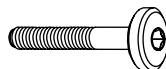
C x2



D x14



E x8



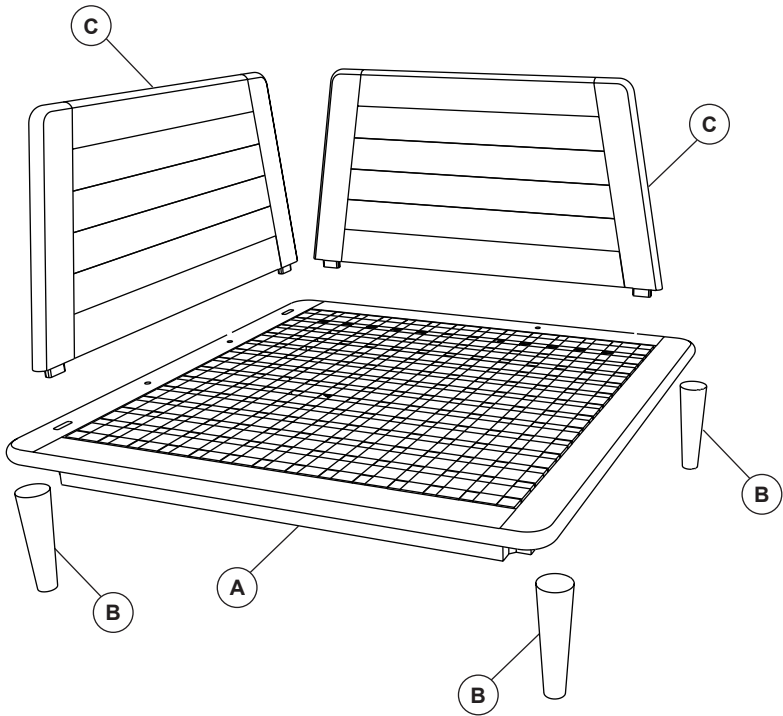
F x6



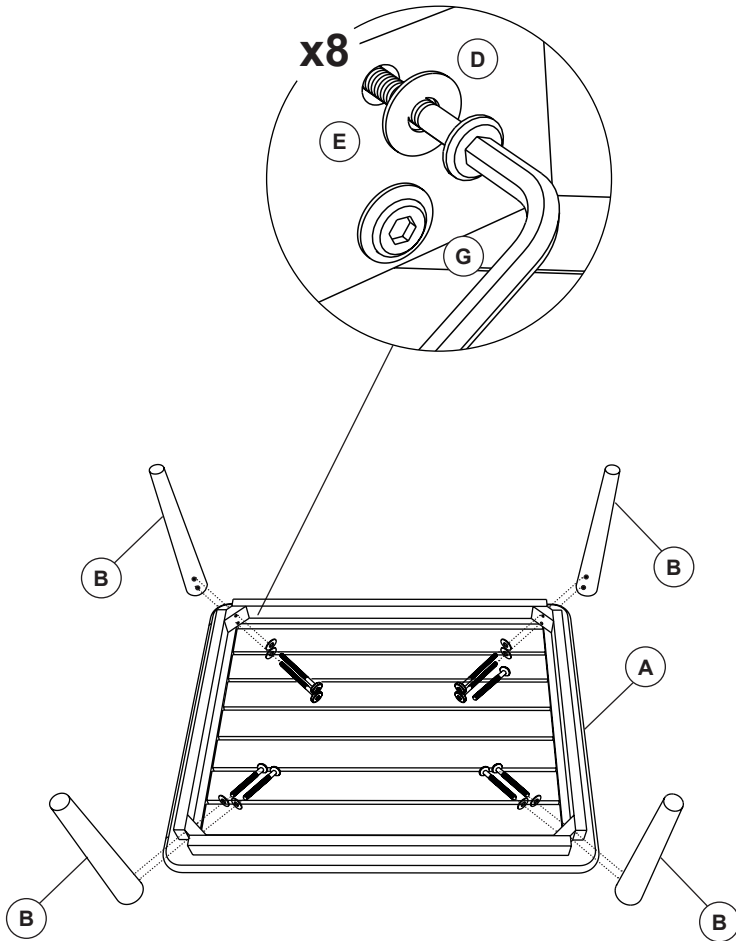
G x1



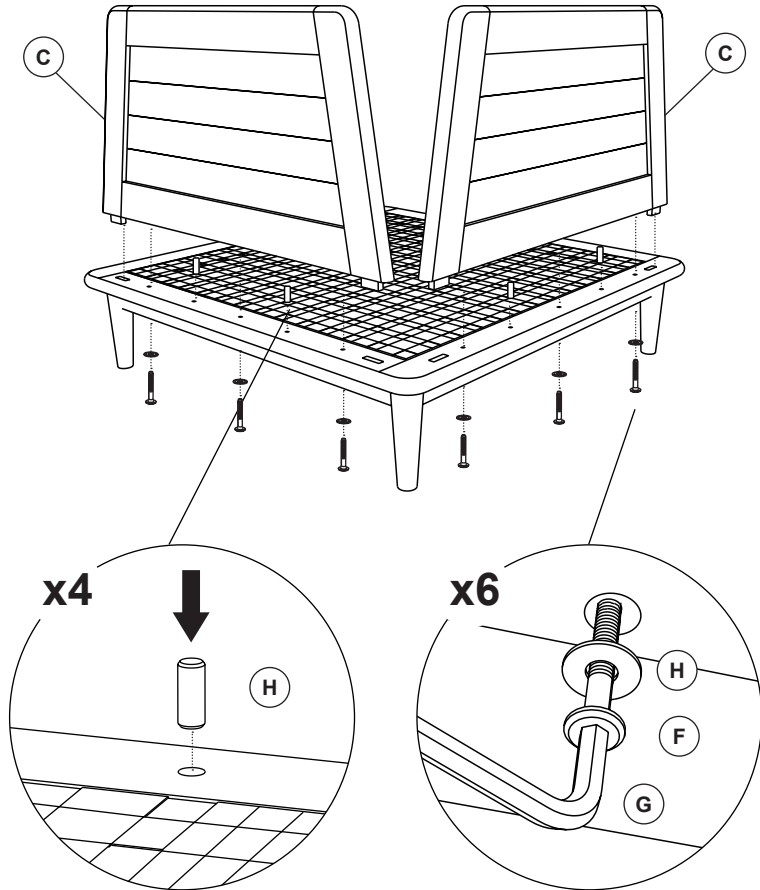
H x4

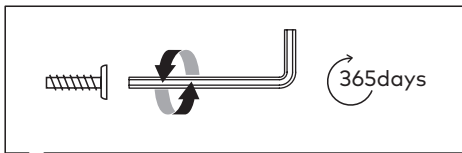
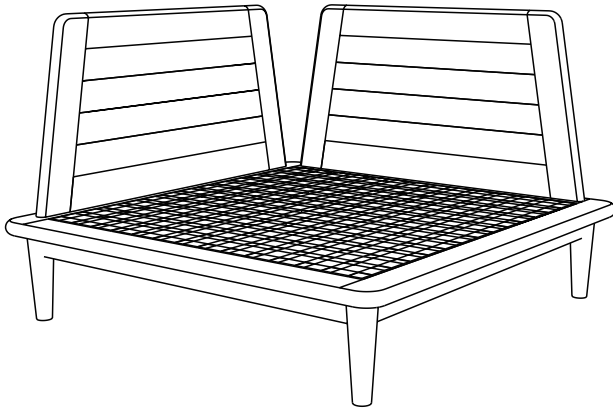


1



2







THAT'S ALL FOLKS

Share your style!

#KaveHome

