



Kave® Cares



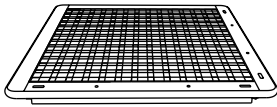
20 min



x1



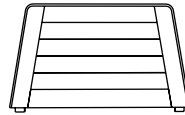
x1



**A** x1



**B** x4



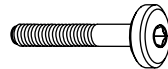
**C** x1



**D** x14



**E** x8



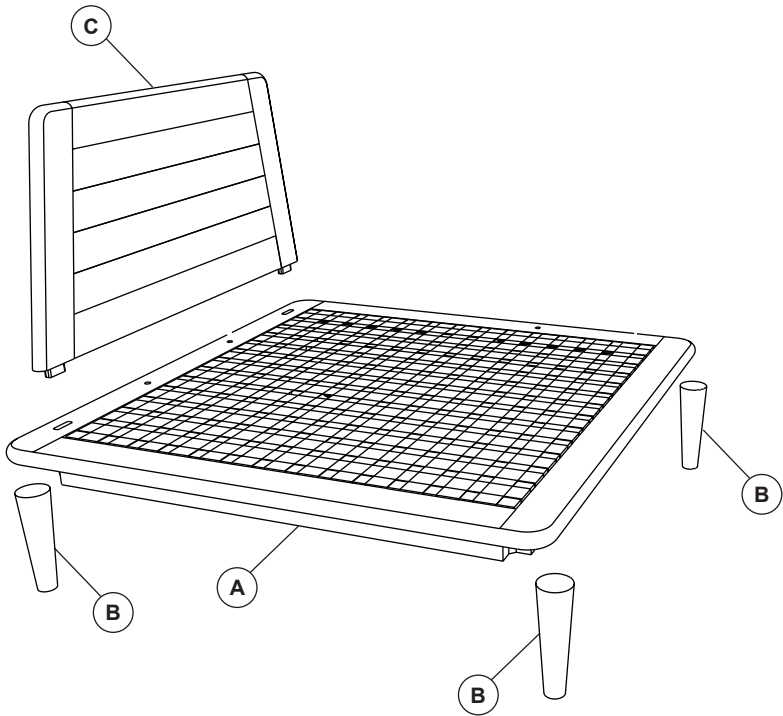
**F** x3



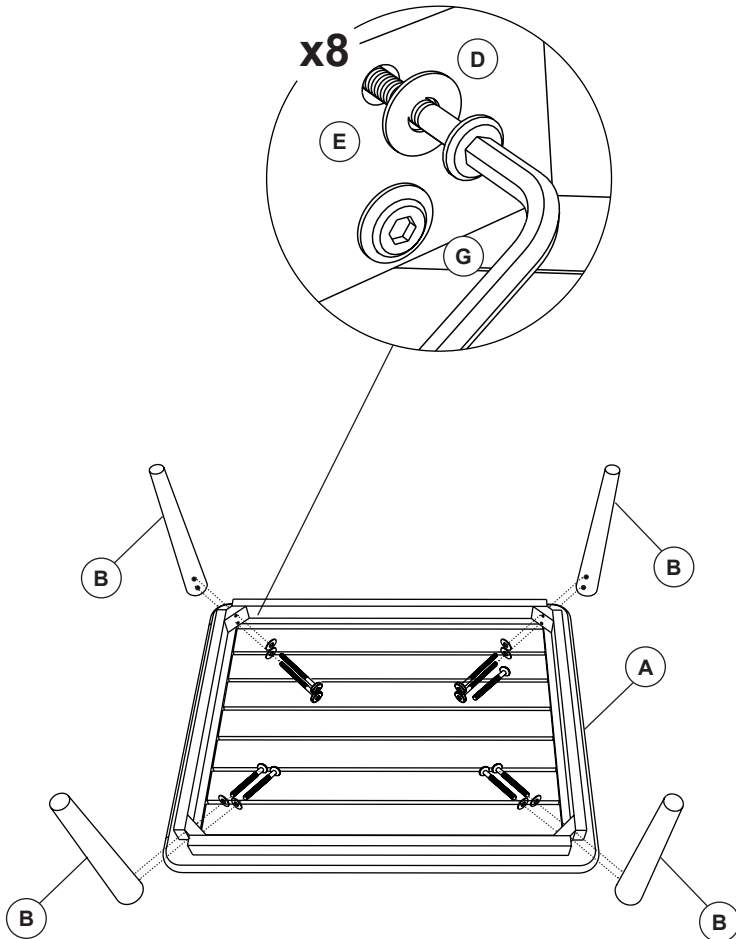
**G** x1



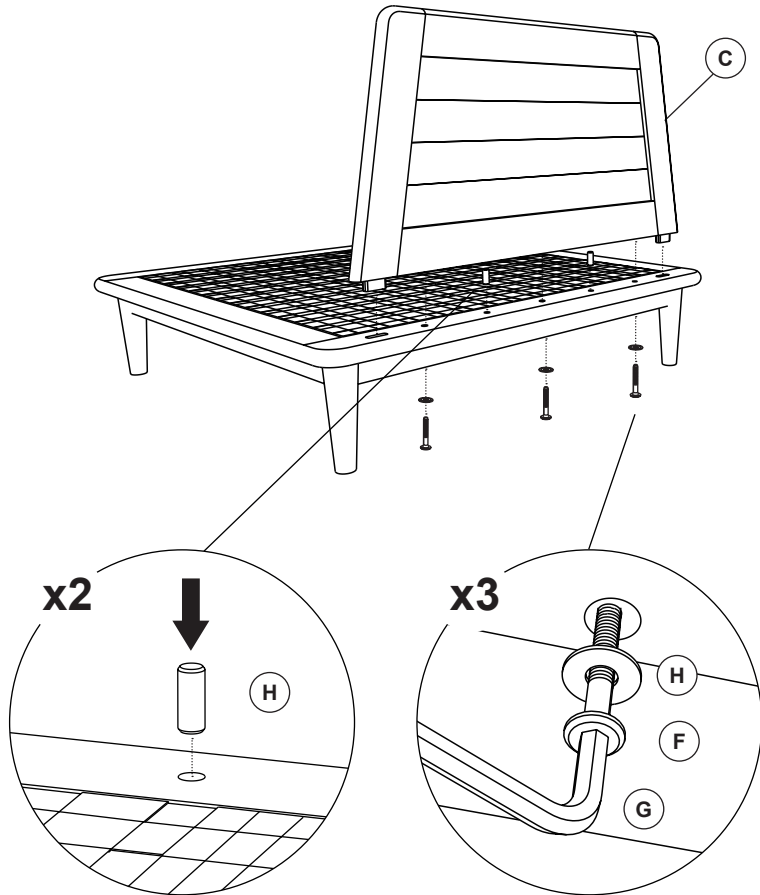
**H** x2

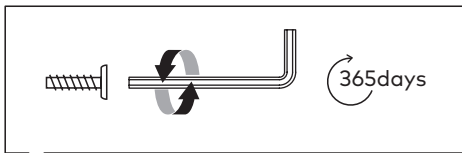
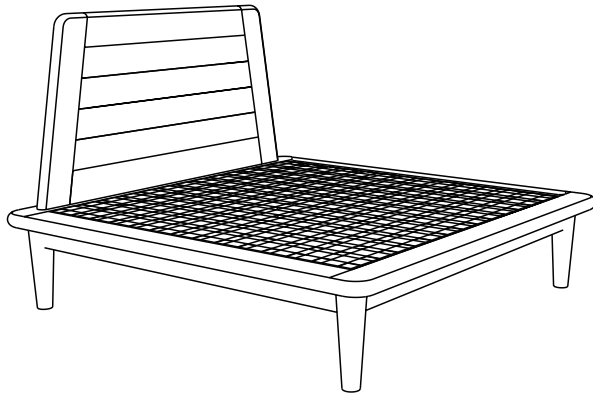


1



2







**THAT'S ALL FOLKS**

Share your style!

**#KaveHome**

