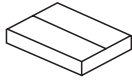




Kave® Cares



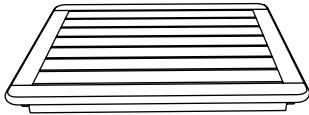
15 min



x1



x1



A x1



B x4



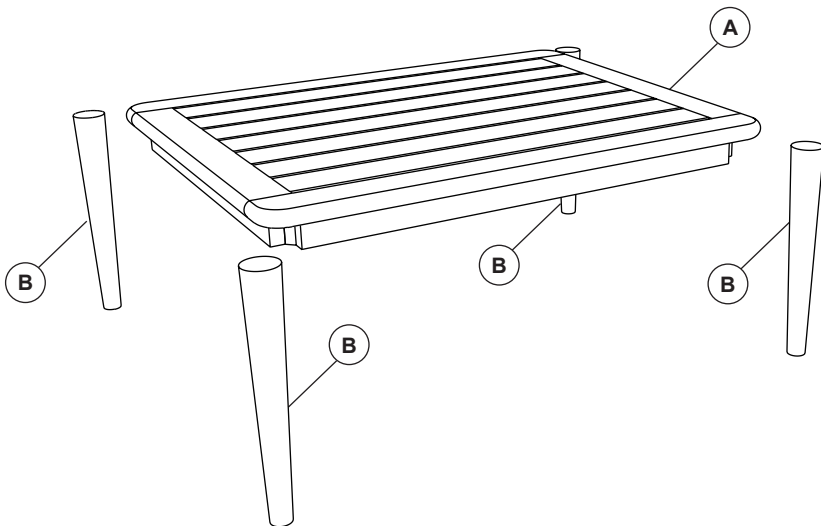
C x8



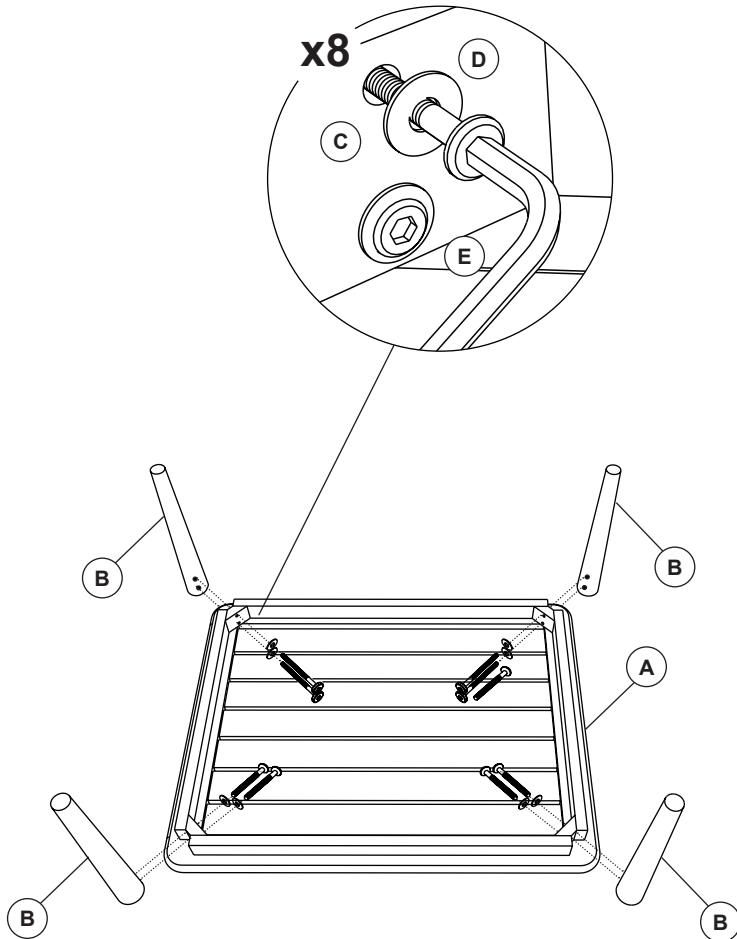
D x8

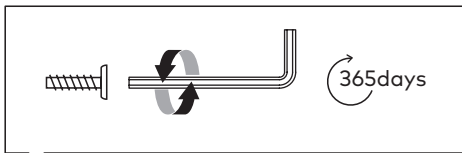
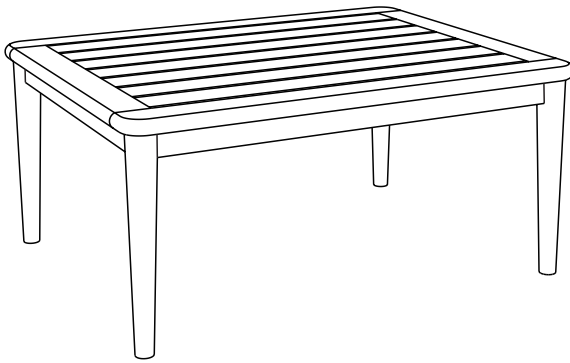


E x1



1







THAT'S ALL FOLKS

Share your style!

#KaveHome

