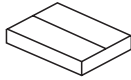




Kave® Cares



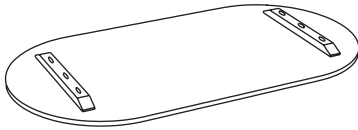
20 min



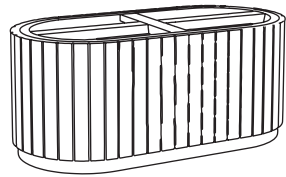
x1



x2



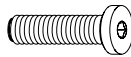
**A** x1



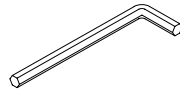
**B** x1



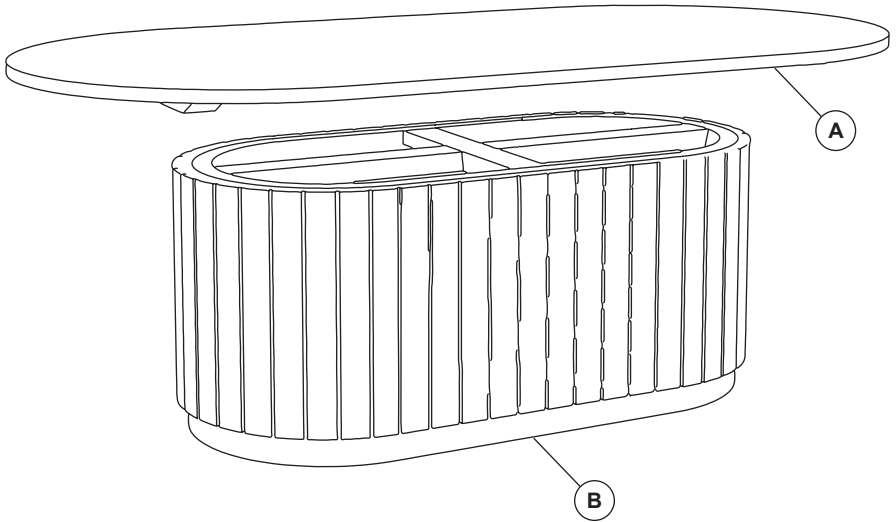
**C** x4  
8x22mm



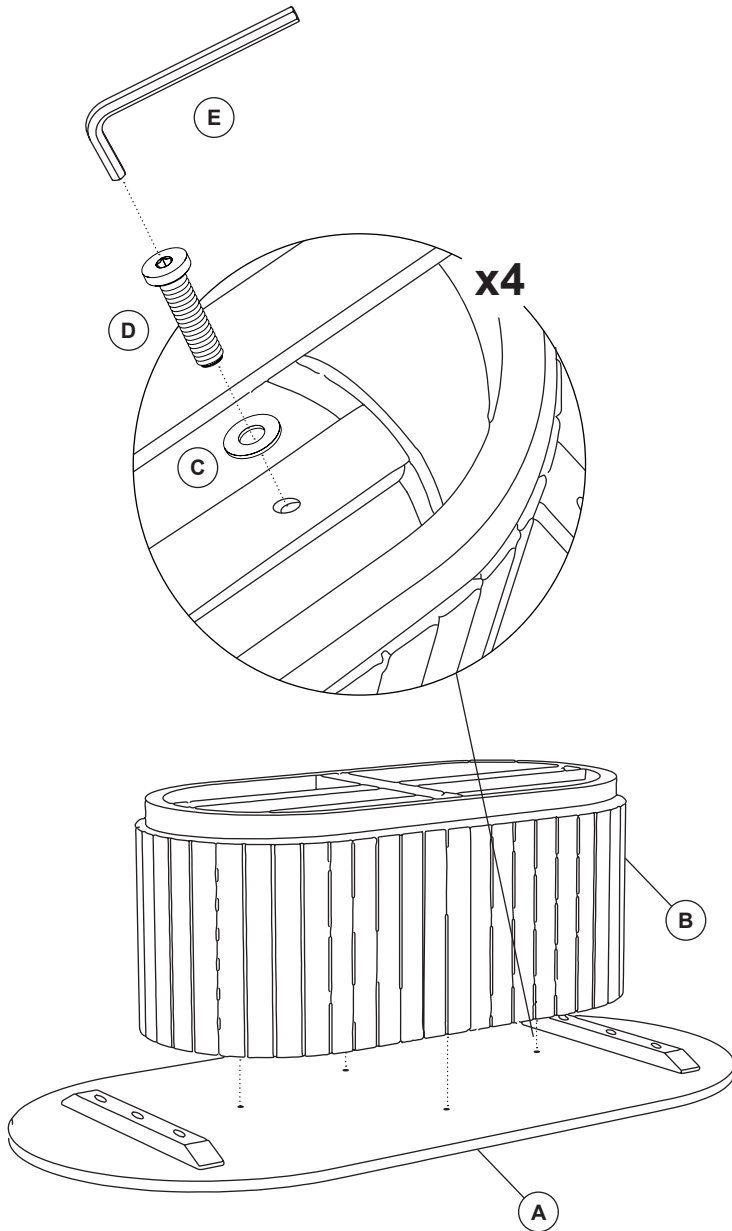
**F** x4  
8x40mm



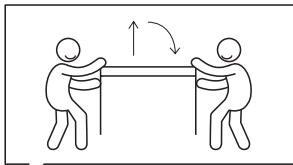
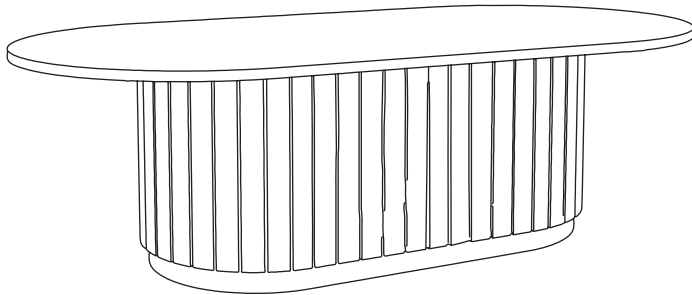
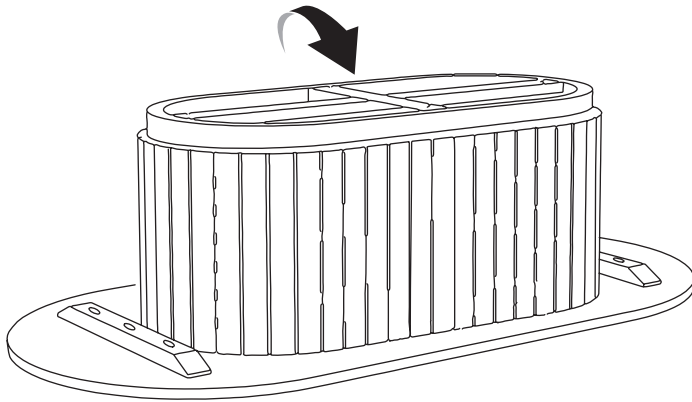
**C** x1

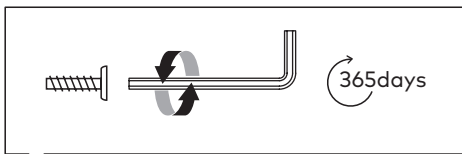
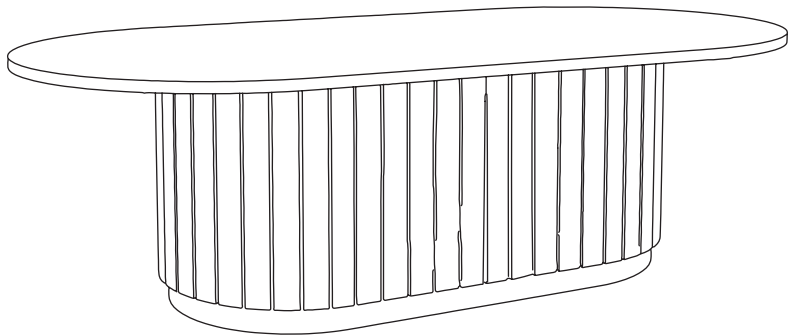


1



2







**THAT'S ALL FOLKS**

Share your style!

#KaveHome

