



Kave® Cares



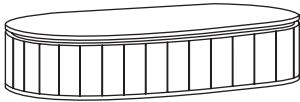
20 min



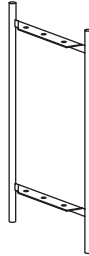
x1



x2



A x1



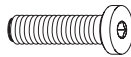
B x2



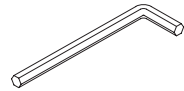
C x1



D x12
8x22mm



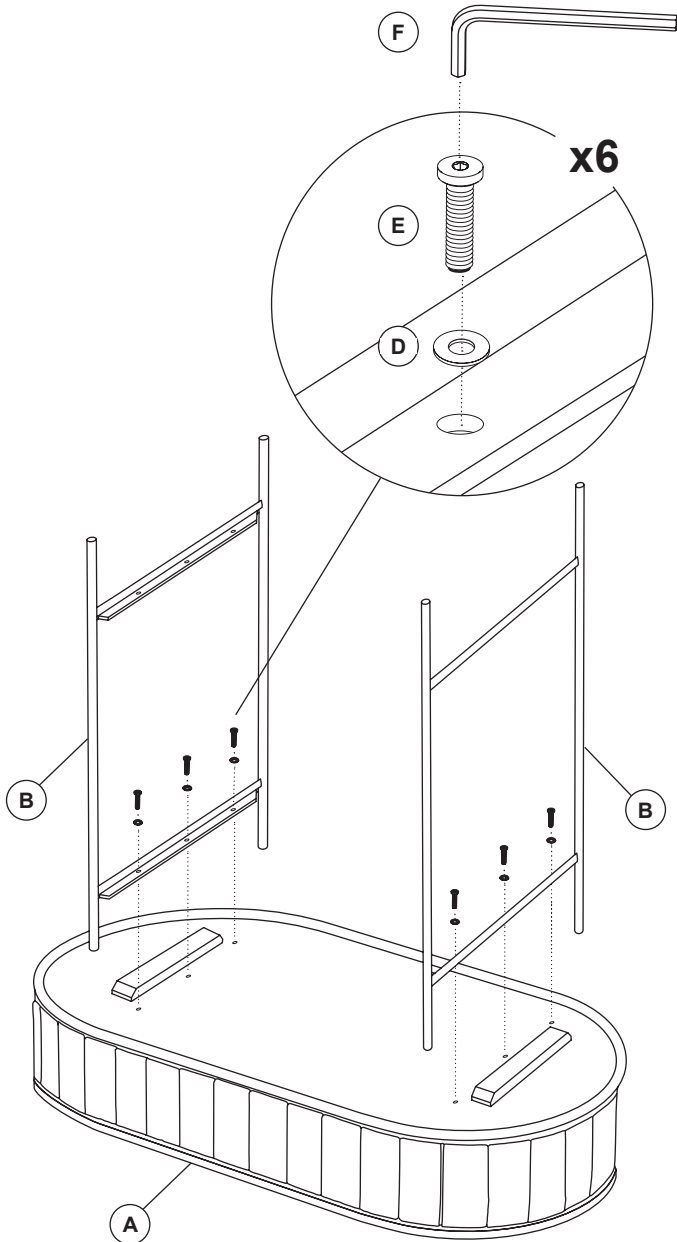
E x12
6x16mm



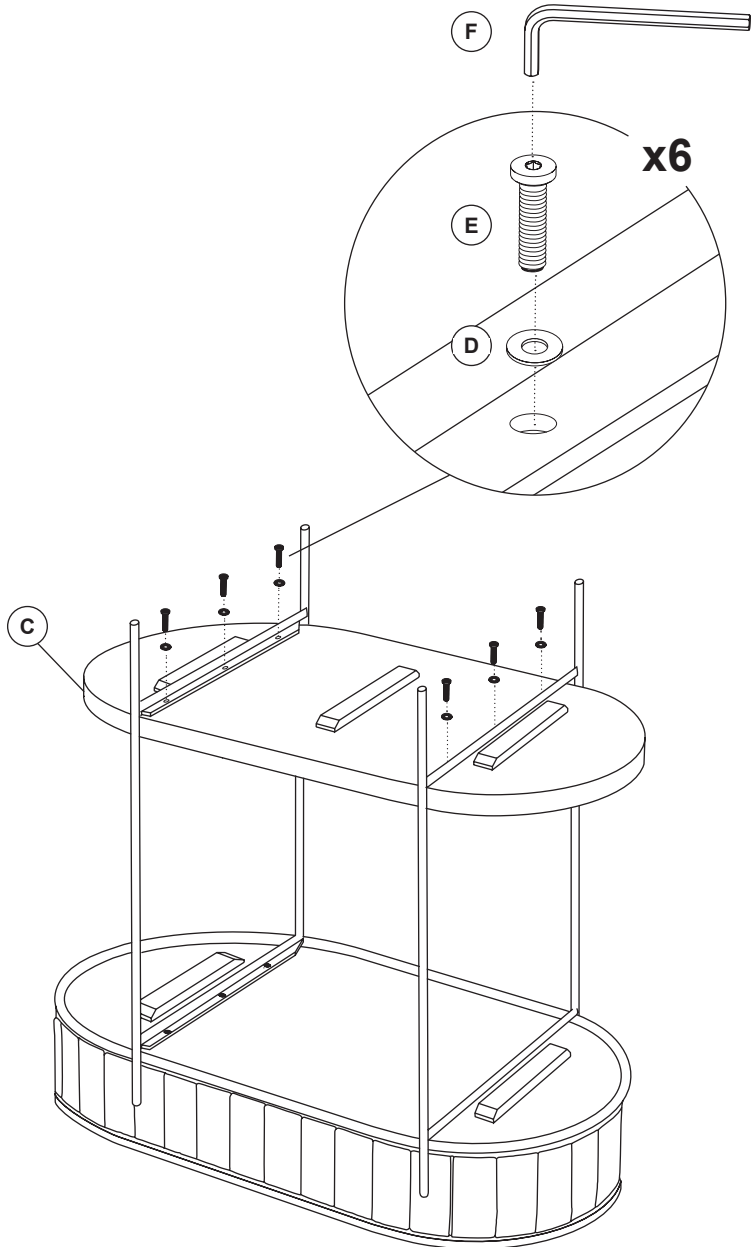
F x1

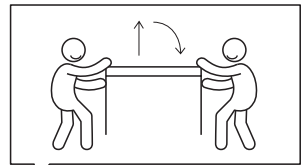
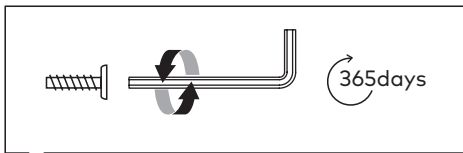
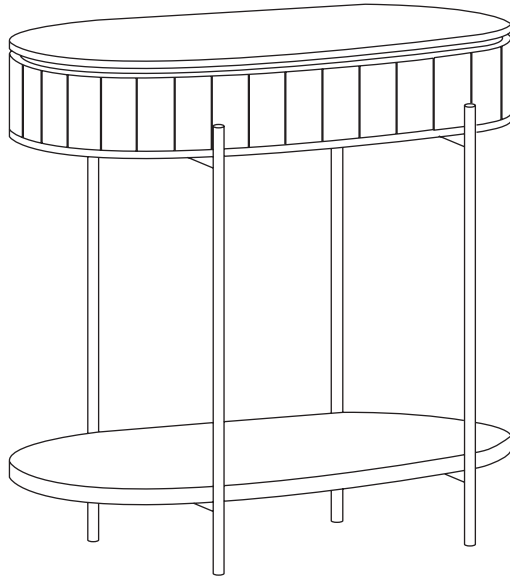


1



2







THAT'S ALL FOLKS

Share your style!

#KaveHome

