
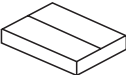



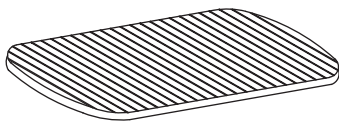
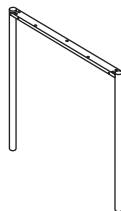




|   |   |   |  |   |
|---|---|---|--|---|
|  |  |  | <b>ELIMINAR SEGUN CASO</b>   |   |
| 45 min  | x1  | x2  |  x1 |  x1 |



**A** x1



**B** x2



**C** x1  
M4



**D** x1  
M5



**E** x14  
M8x35mm



**F** x14  
M8



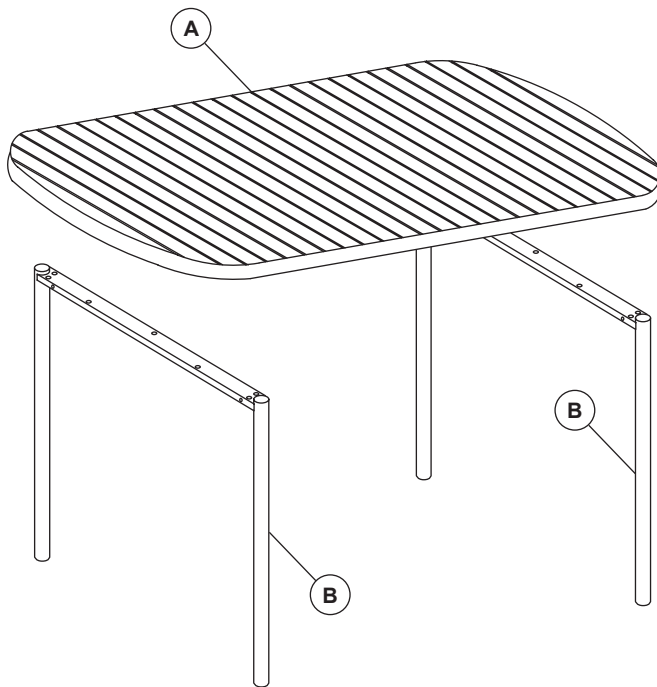
**G** x4  
M6x60mm



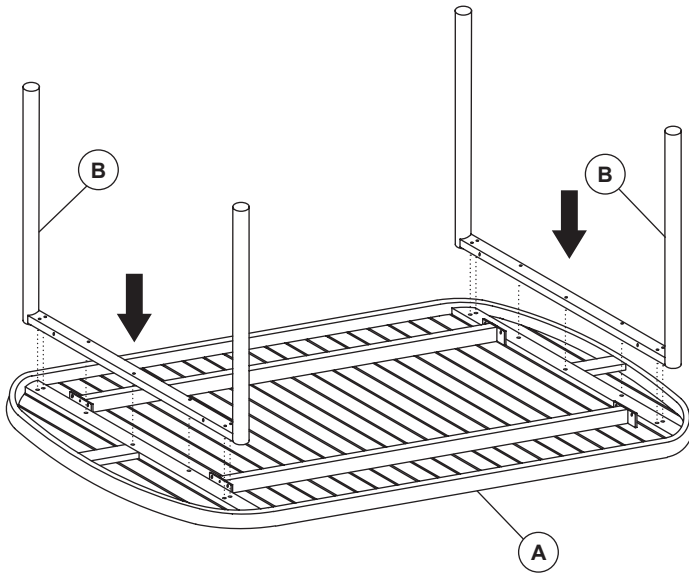
**H** x8  
M6x16mm



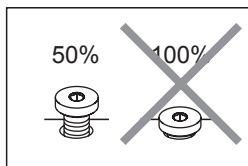
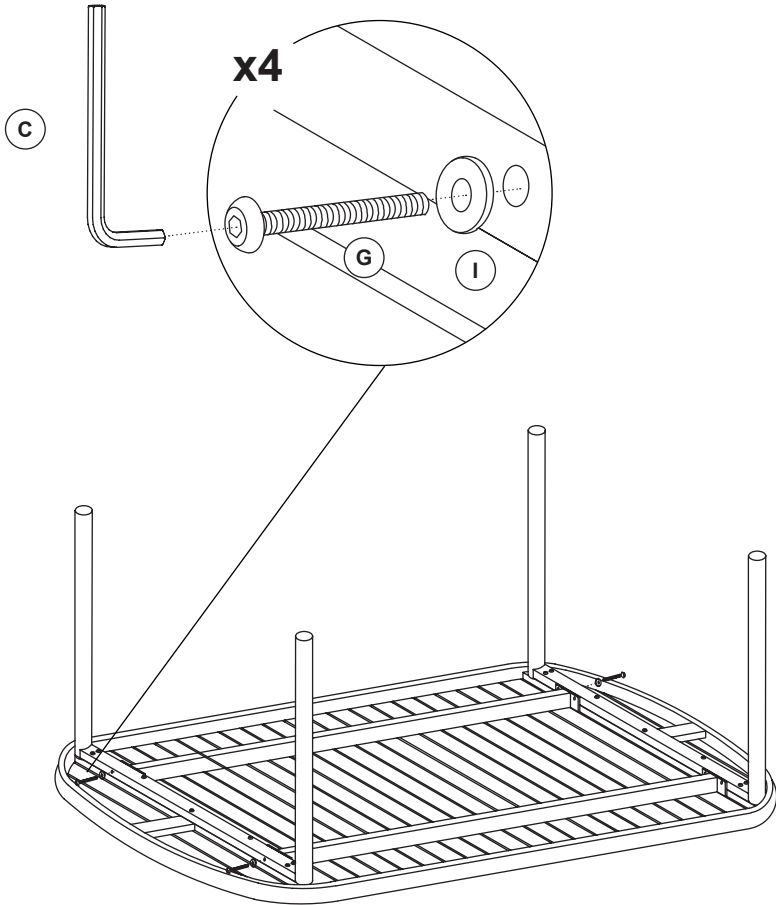
**I** x12  
M6



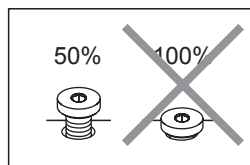
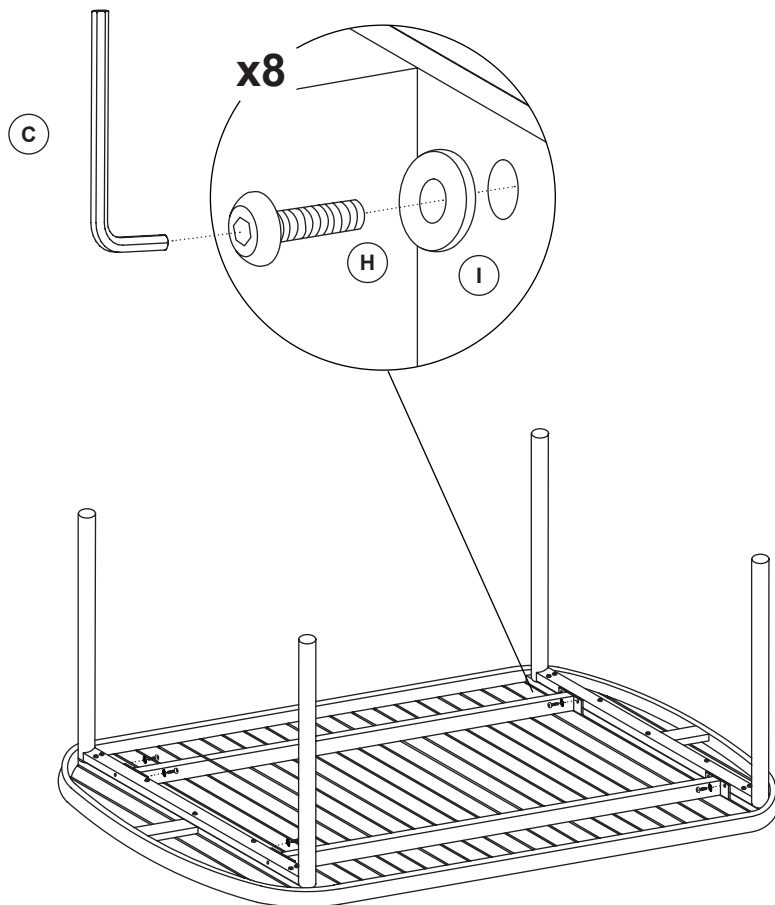
1



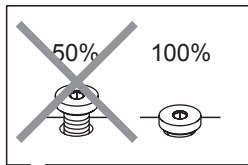
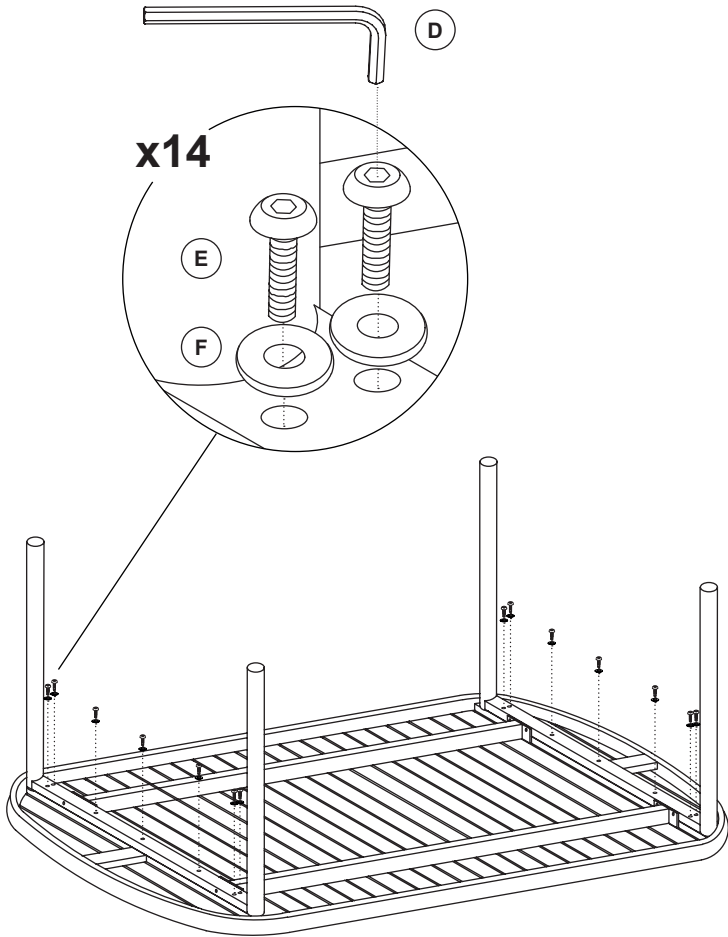
2



3

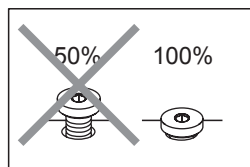
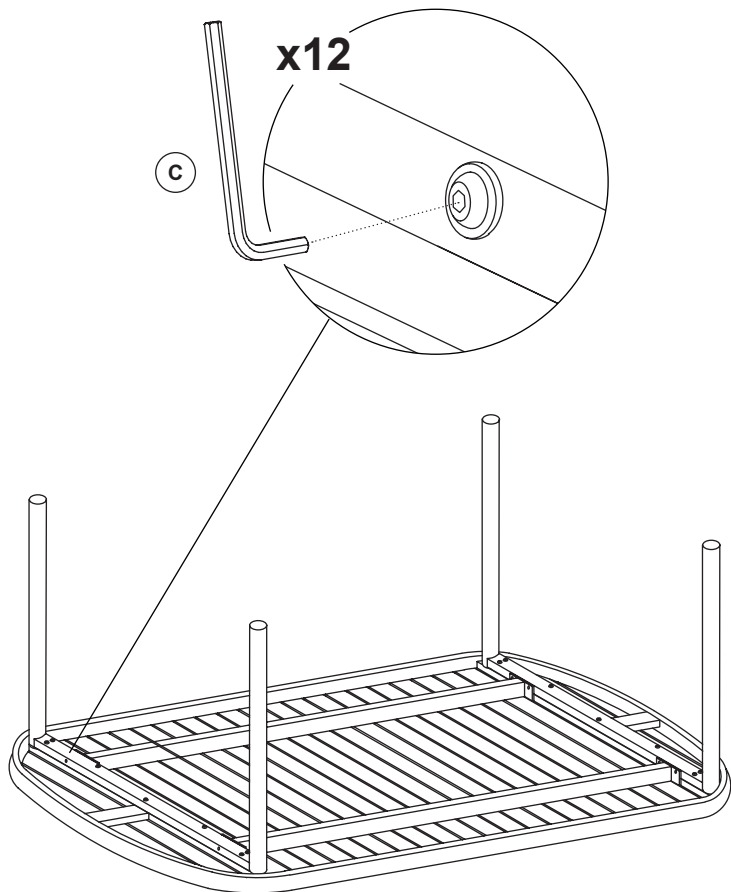


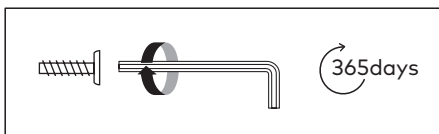
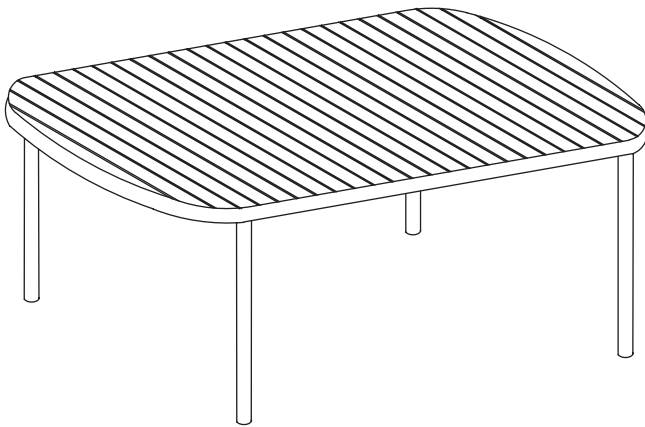
4





5









**THAT'S ALL FOLKS**

Share your style!

#KaveHome

