



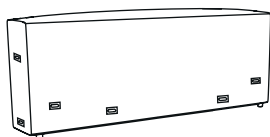
20 min



x6



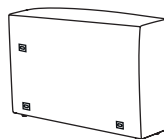
x2



**A** x2



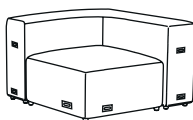
**B** x1



**C** x1



**D** x2



**E** x1



**F** x24  
M8x90 mm



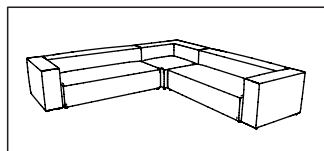
**G** x24

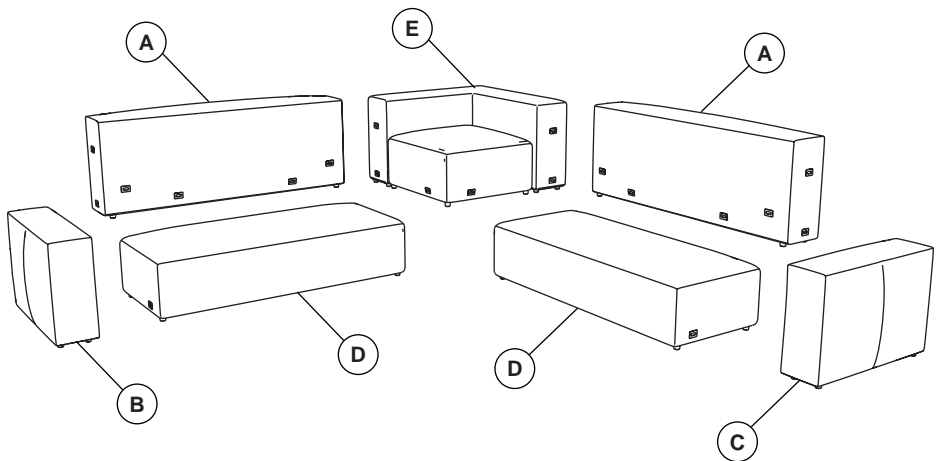


**H** x48  
M8x90 mm

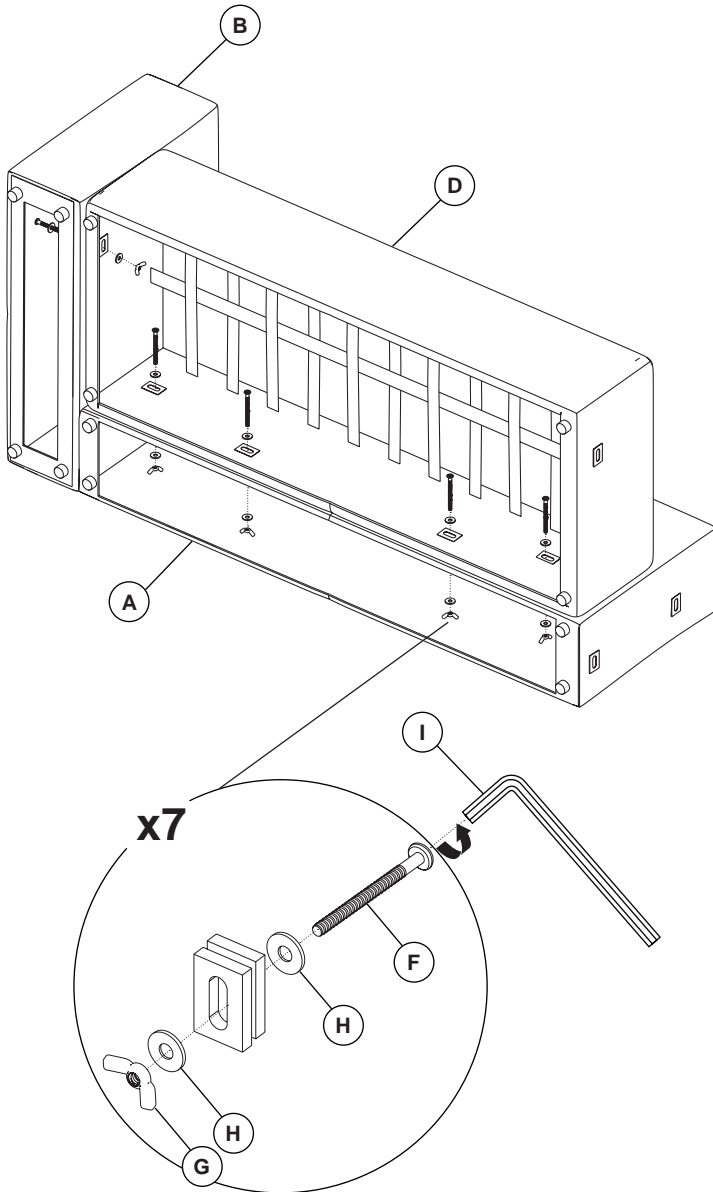


**I** x1  
5 mm

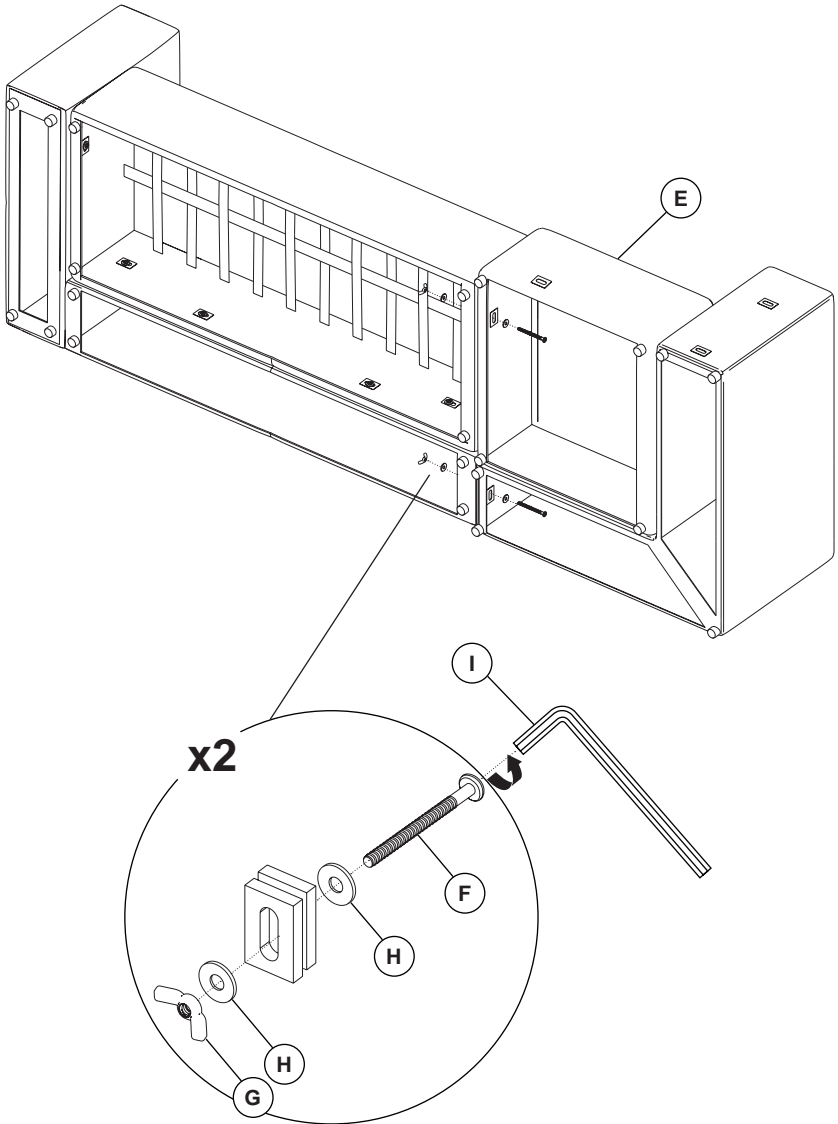




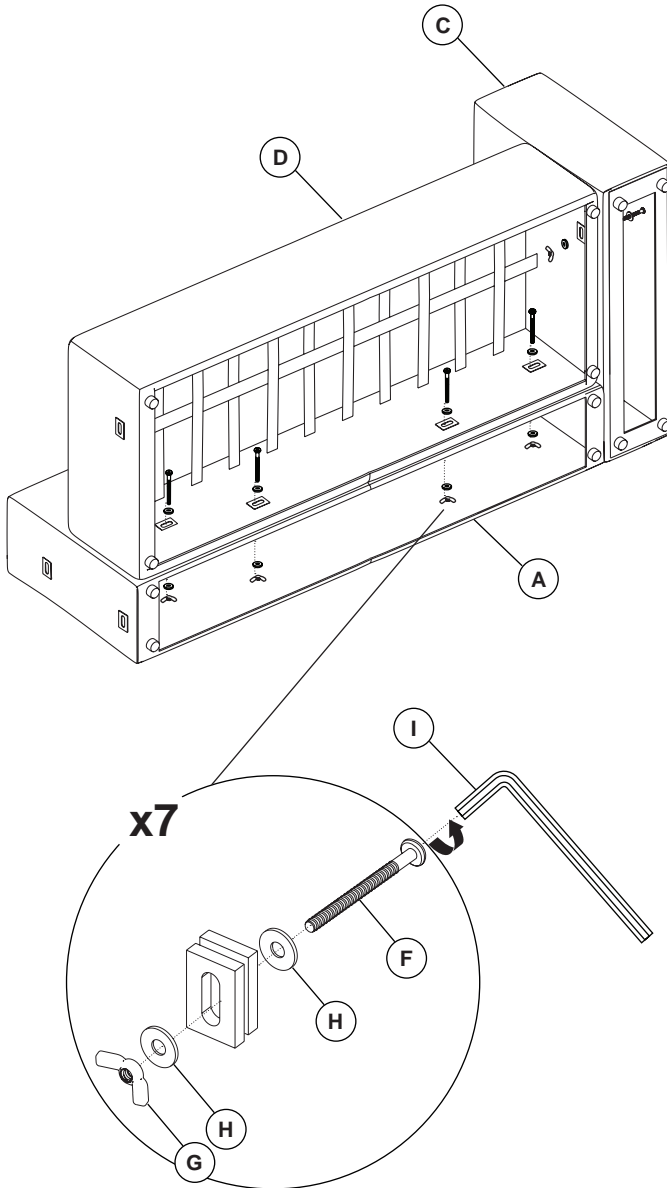
1



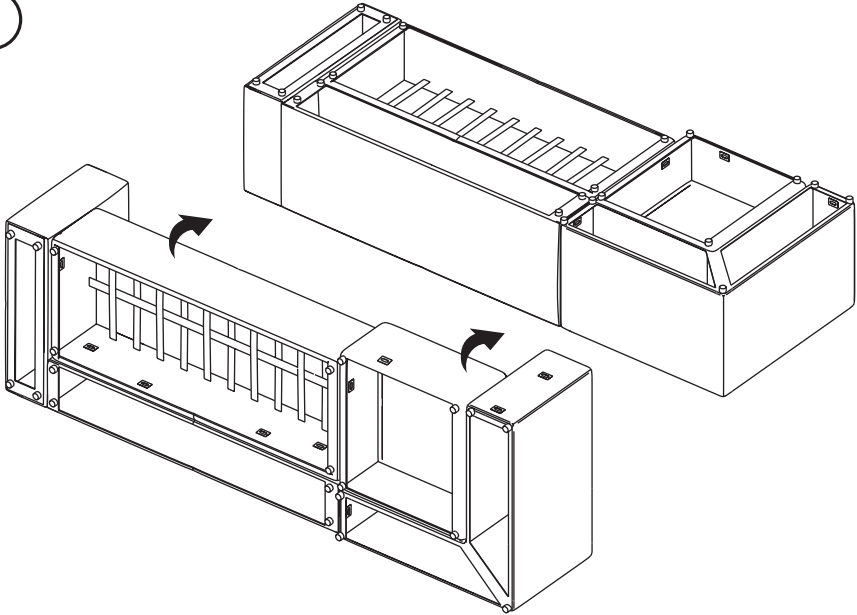
2



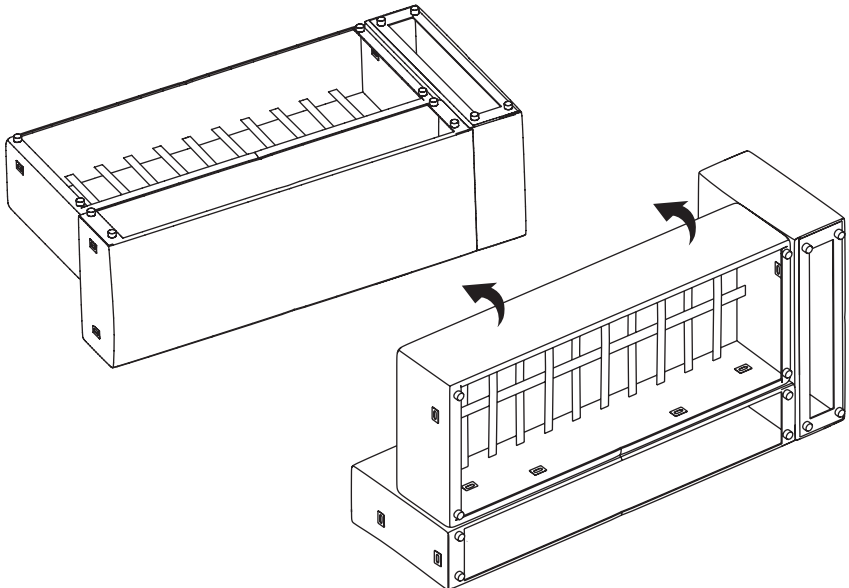
3



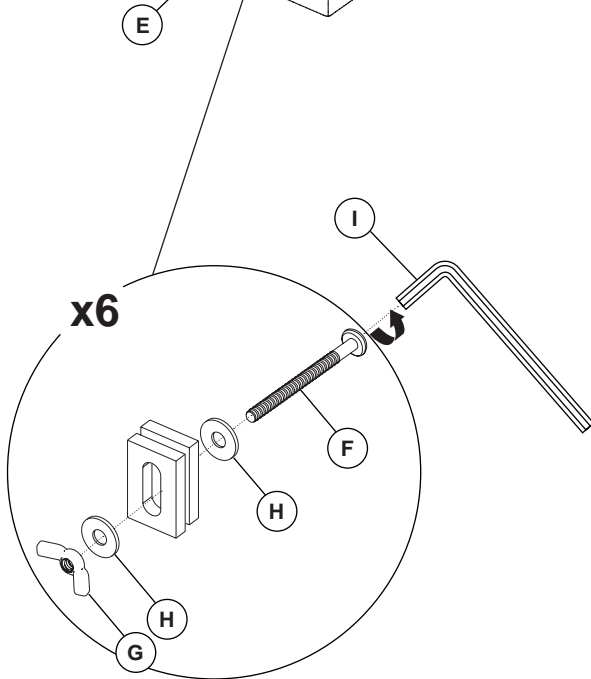
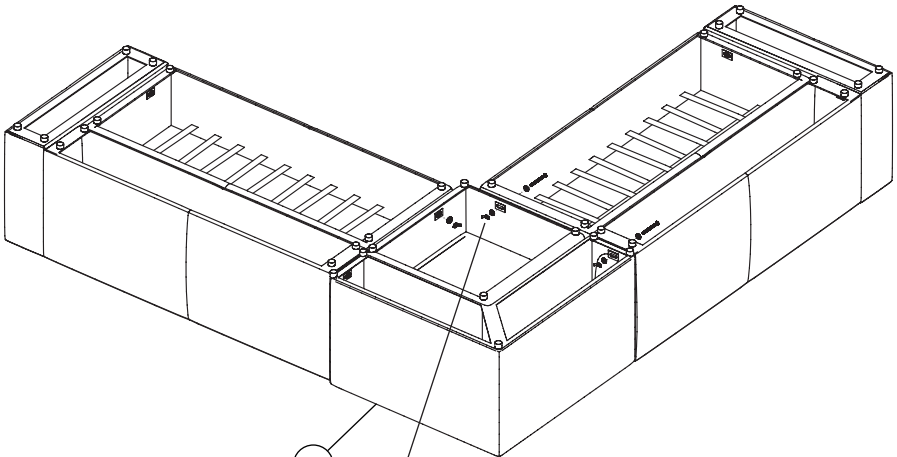
4



5



6



7

