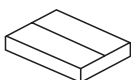
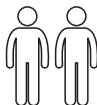




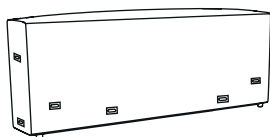
20 min



x6



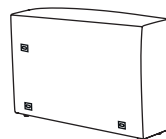
x2



A x2



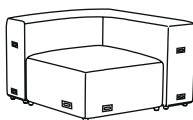
B x1



C x1



D x2



E x1



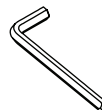
F x24  
M8x90 mm



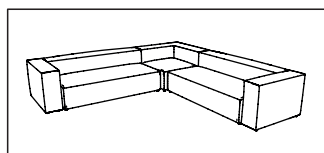
G x24

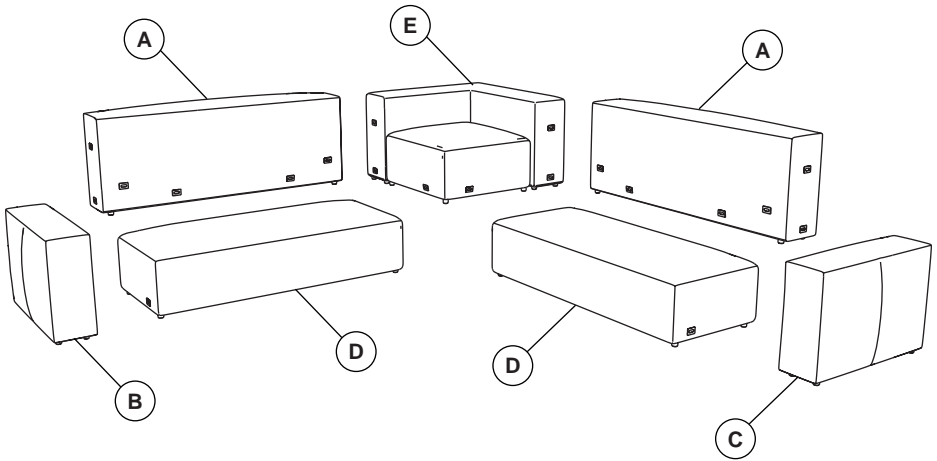


H x48  
M8x90 mm

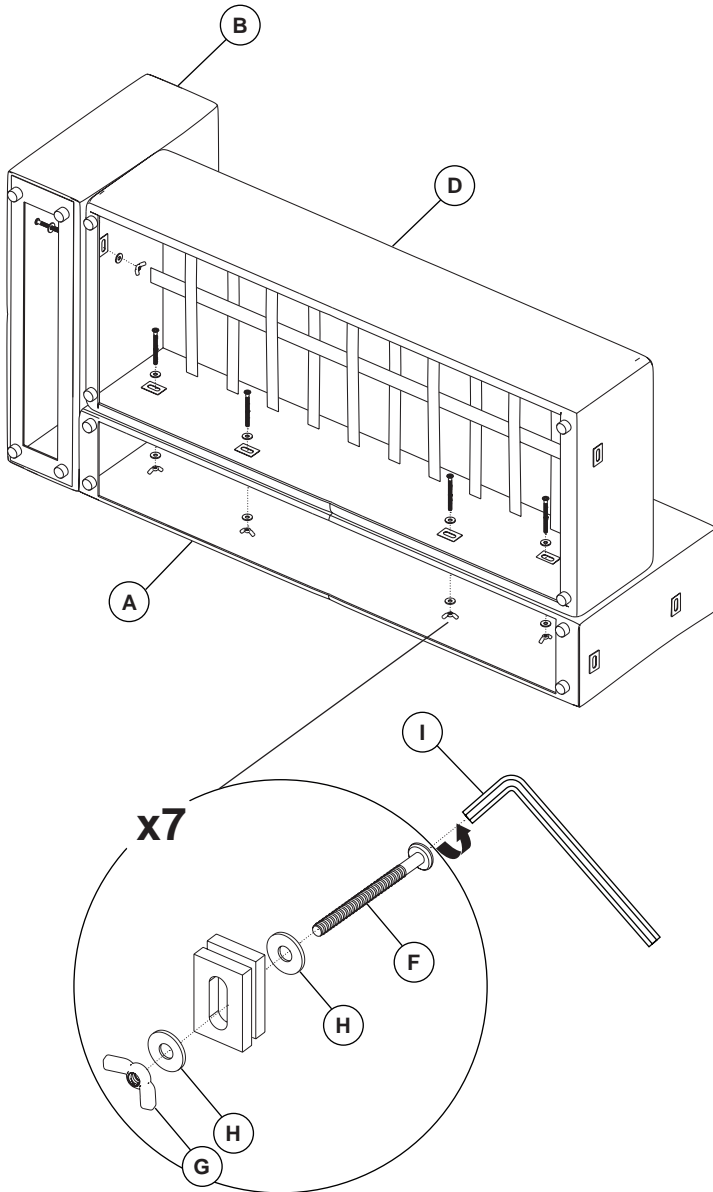


I x1  
5 mm

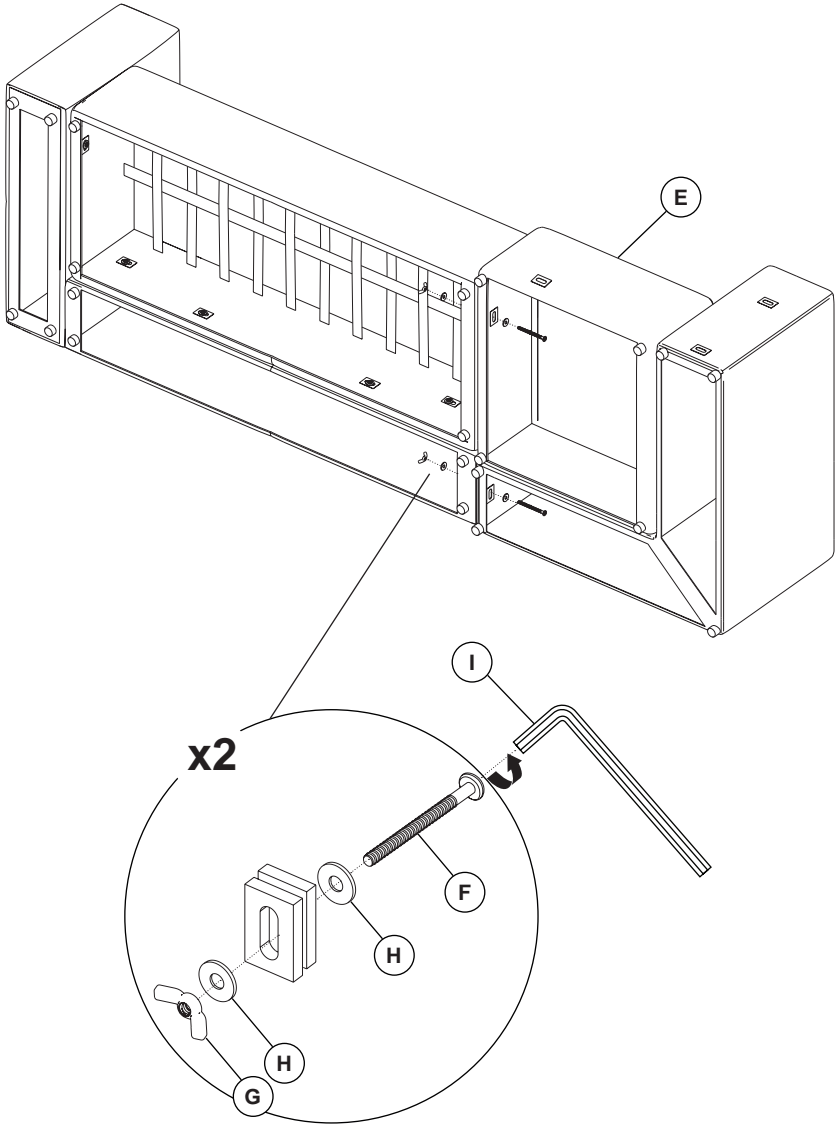




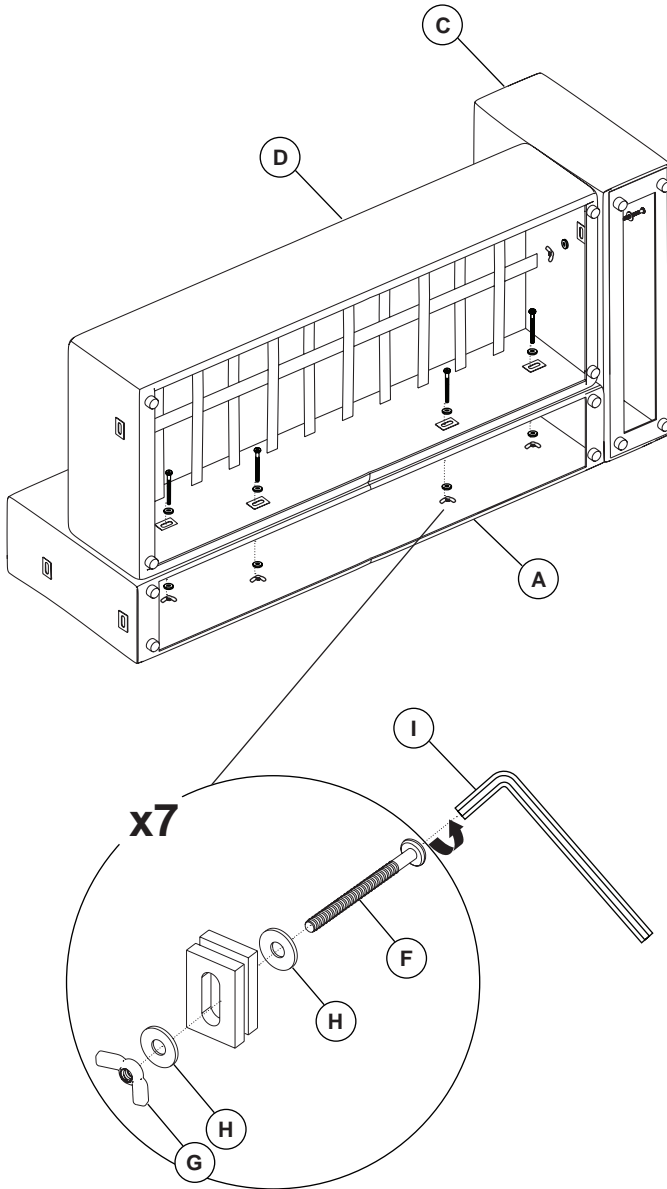
1



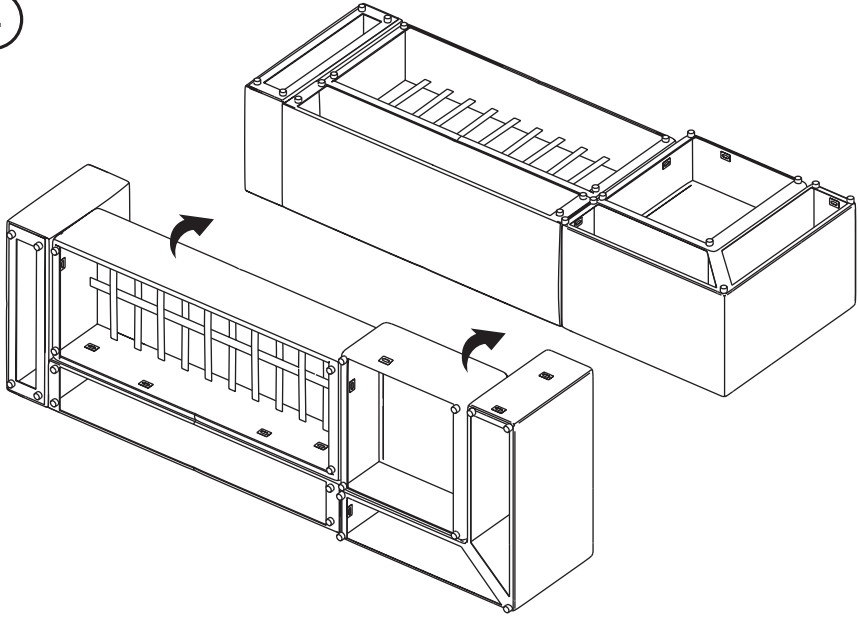
2



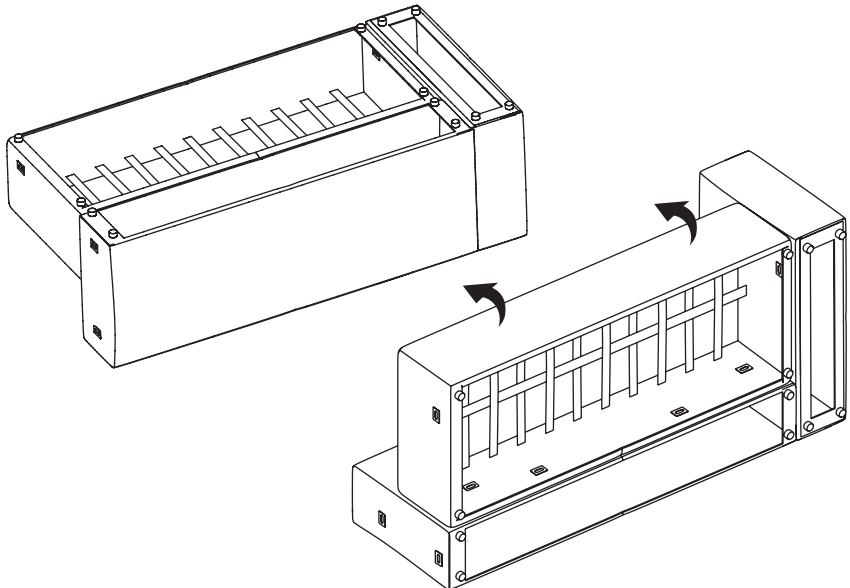
3



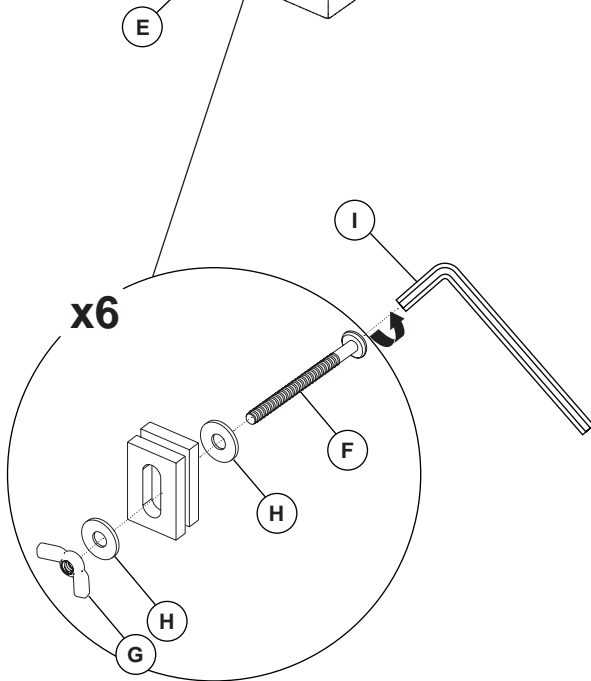
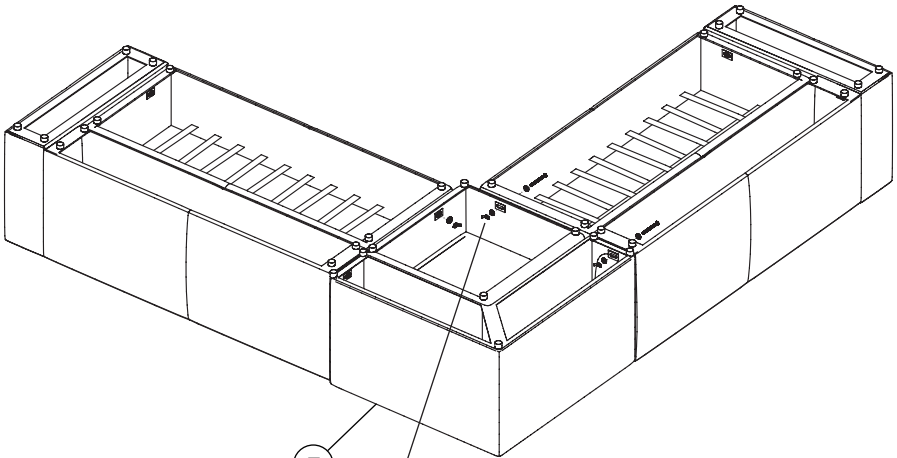
4



5



6



7

