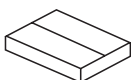
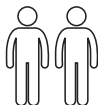




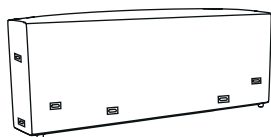
20 min



x6



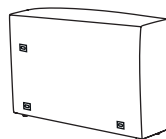
x2



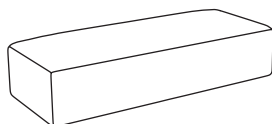
A x1



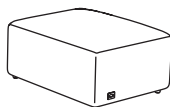
B x1



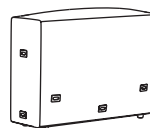
C x1



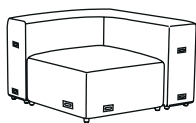
D x1



E x1



F x1



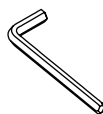
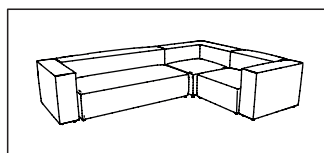
G x1



H x24
M8x90 mm



I x24

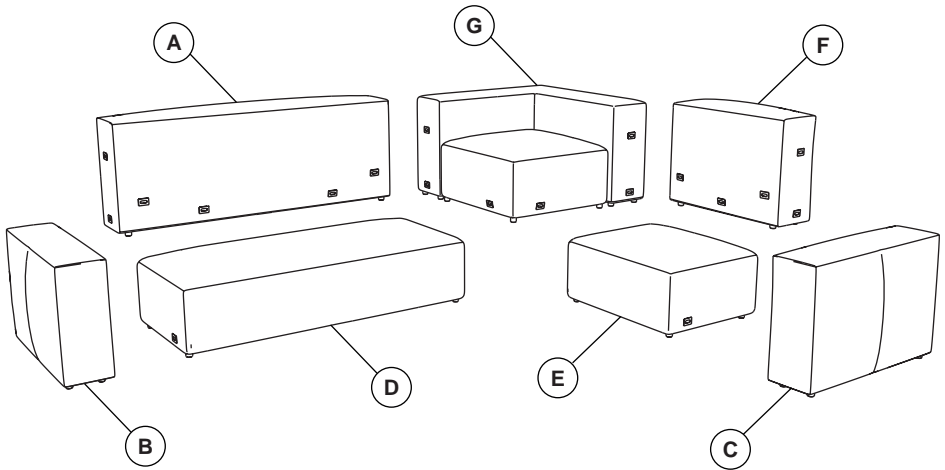


J x1
5 mm

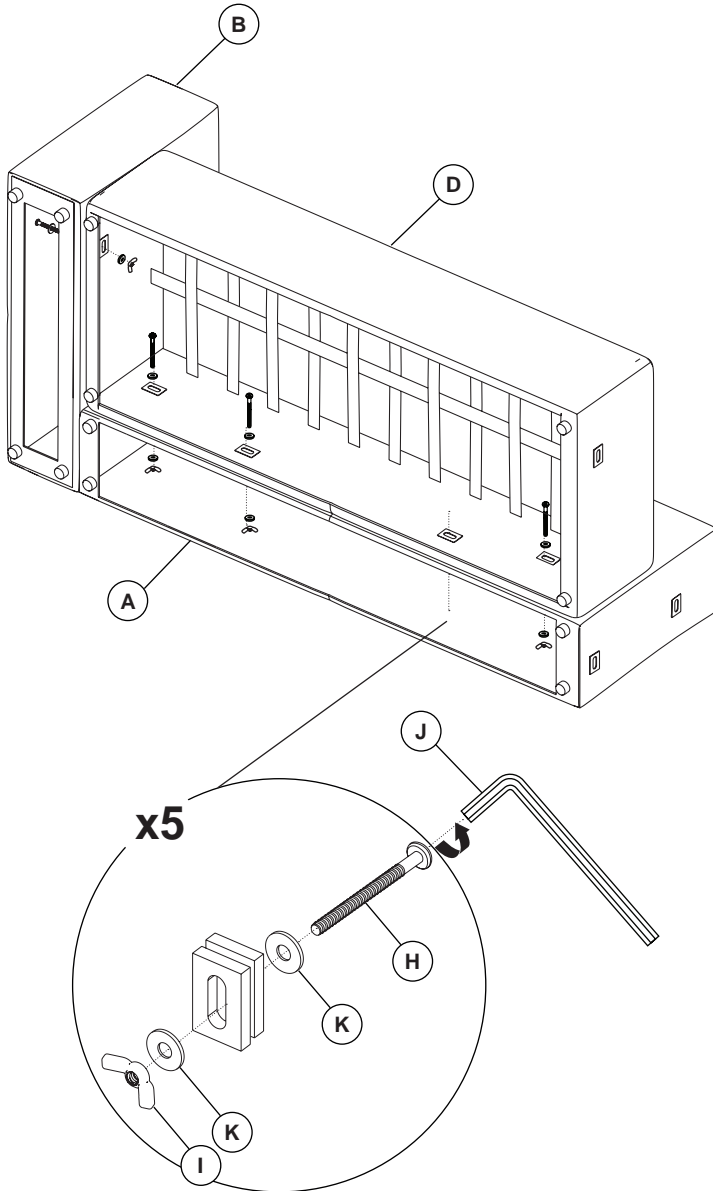


K x48

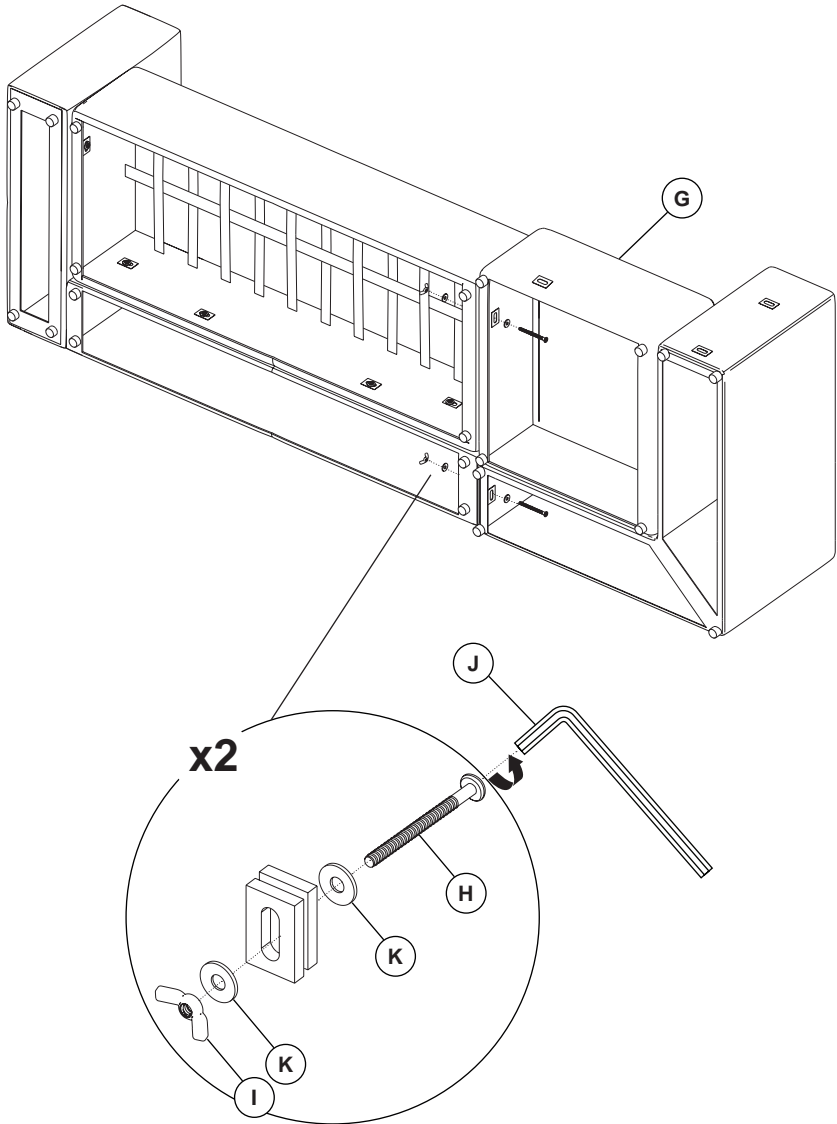




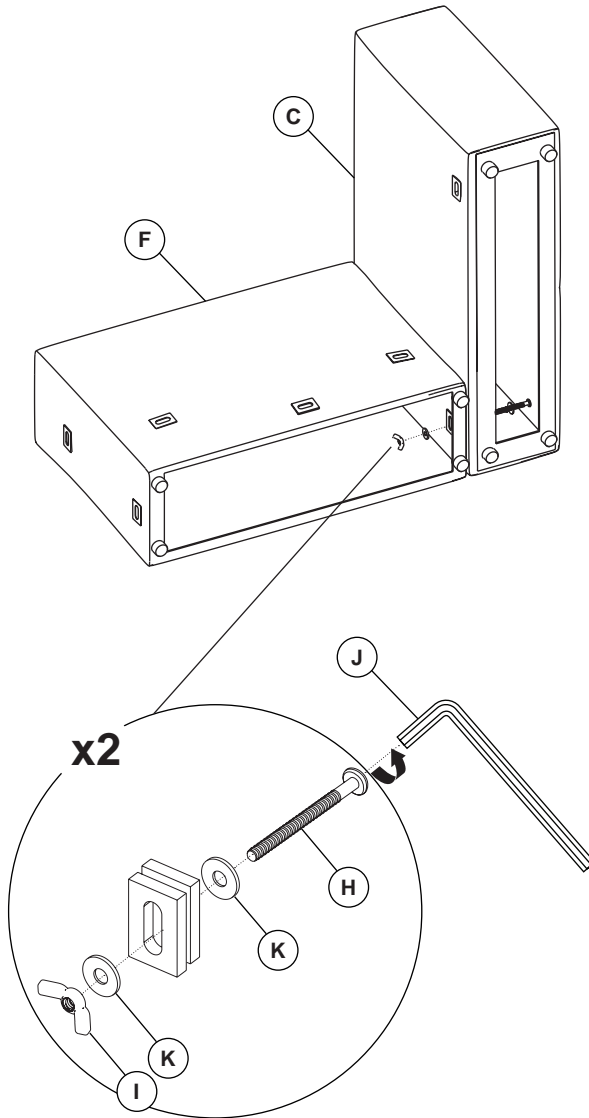
1



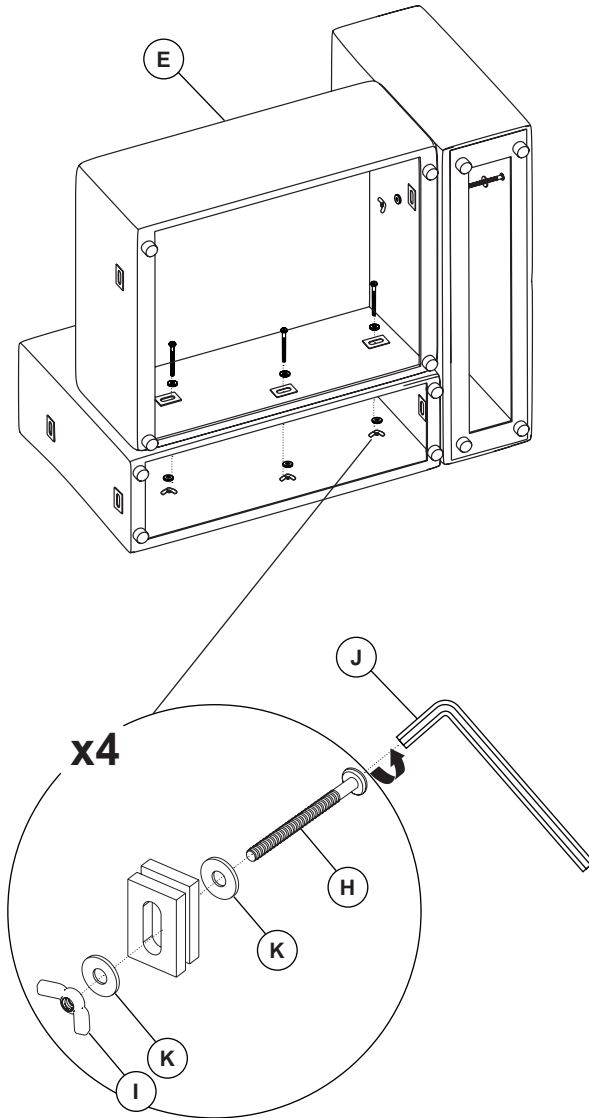
2



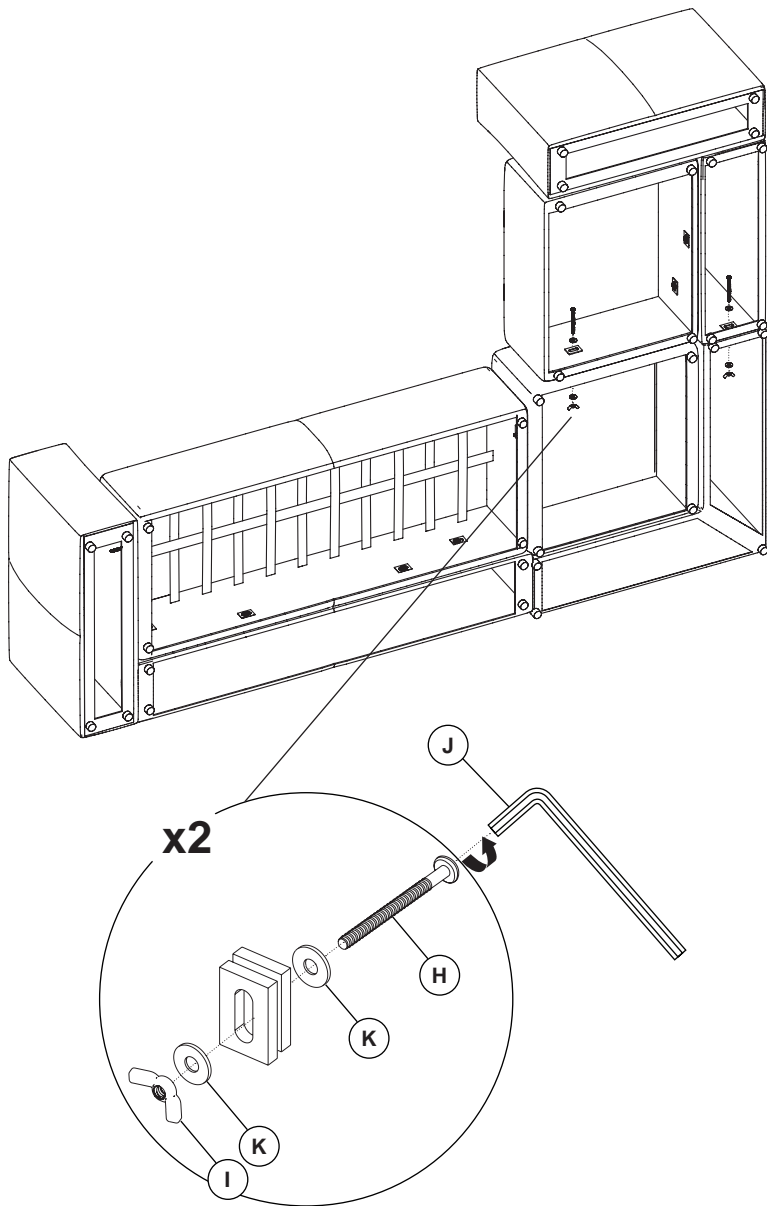
3



4



5



6

