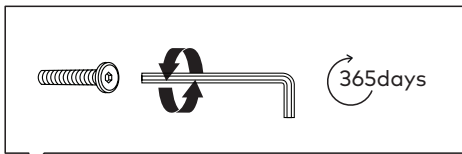
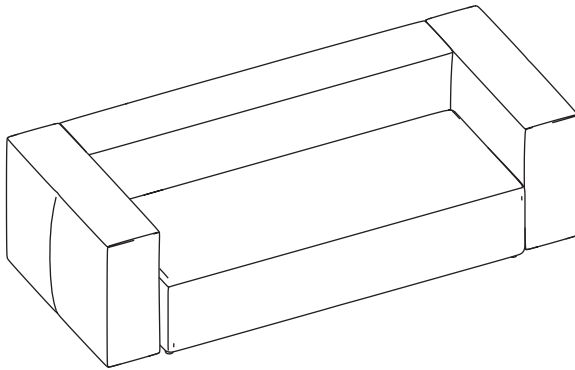
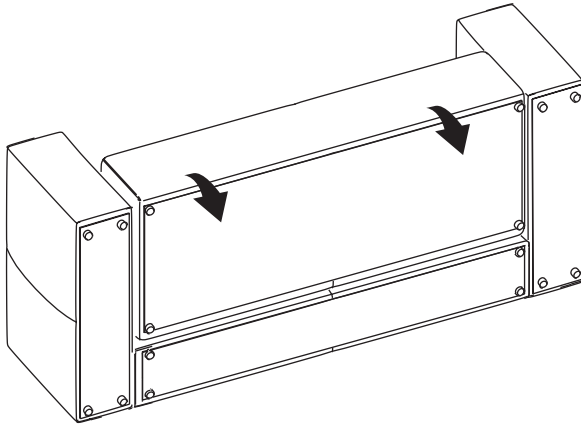
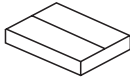


4





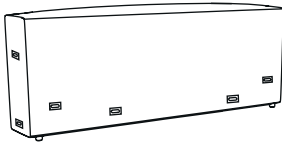
20 min



x4



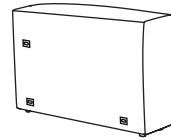
x2



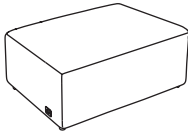
**A x1**



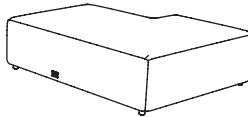
**B x1**



**C x1**



**D x1**



**E x1**



**F x16**  
M8x90 mm



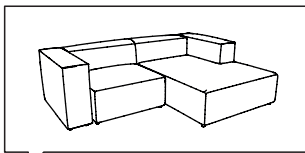
**G x32**



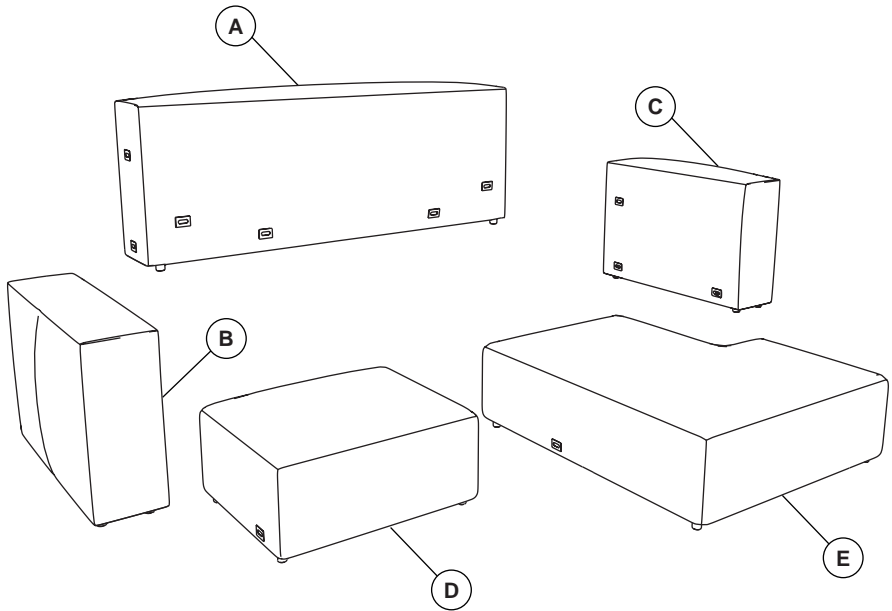
**H x16**



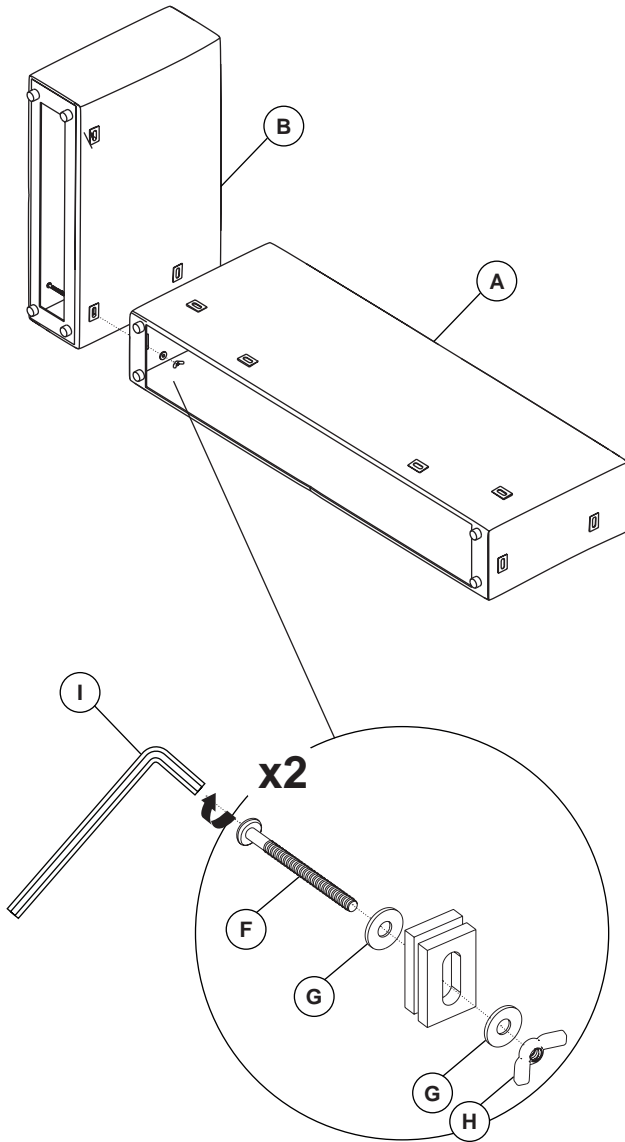
**I x1**  
5 mm



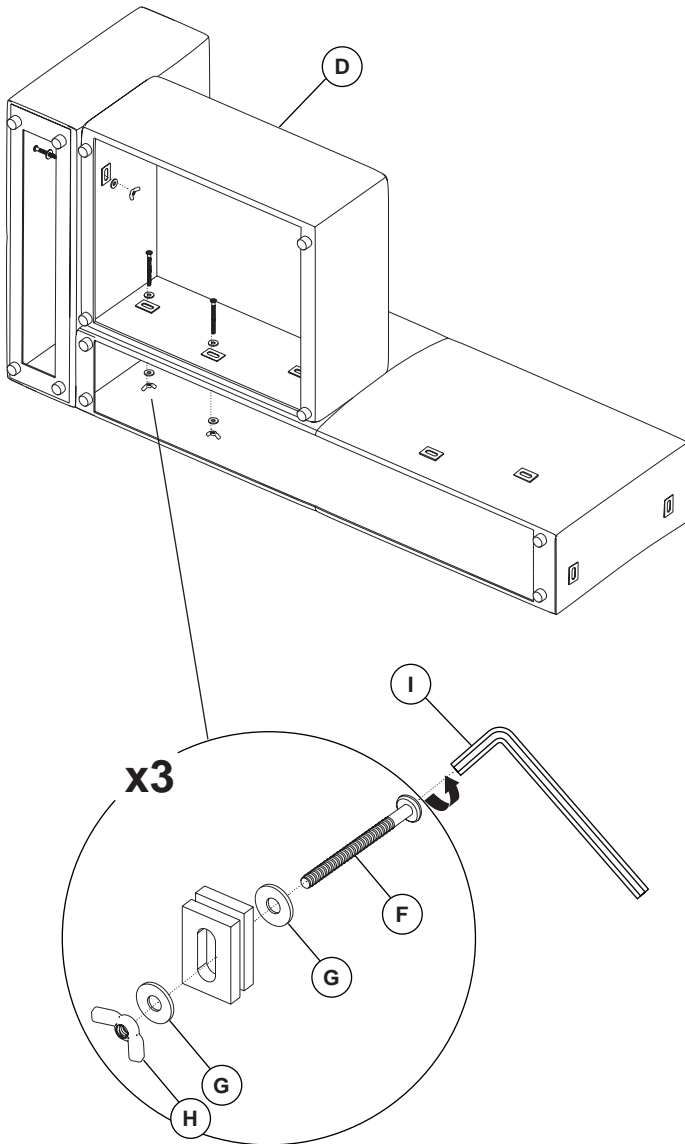
1



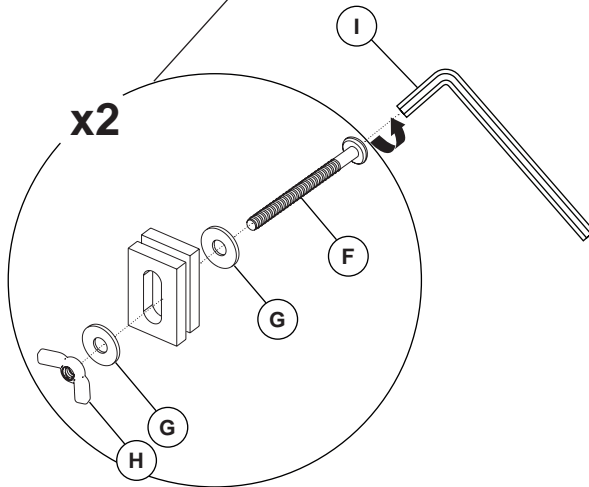
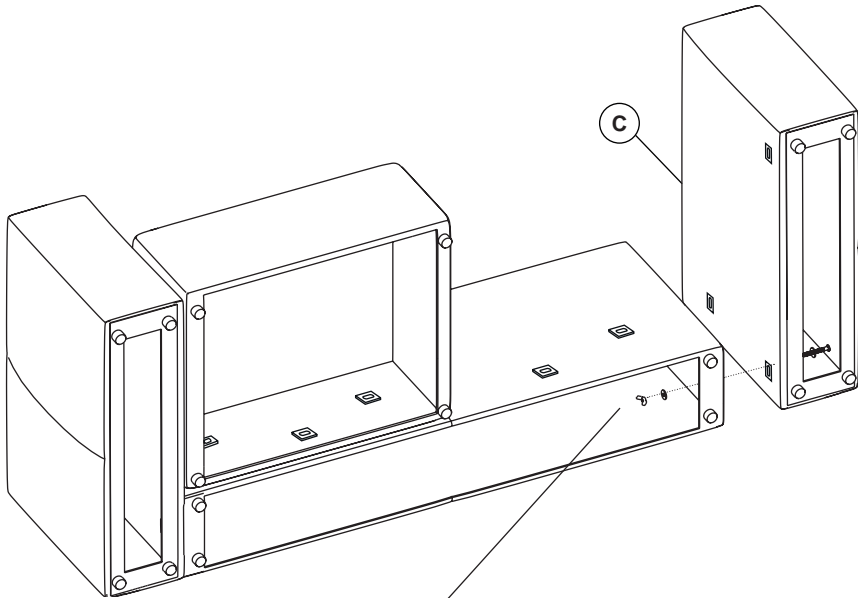
2



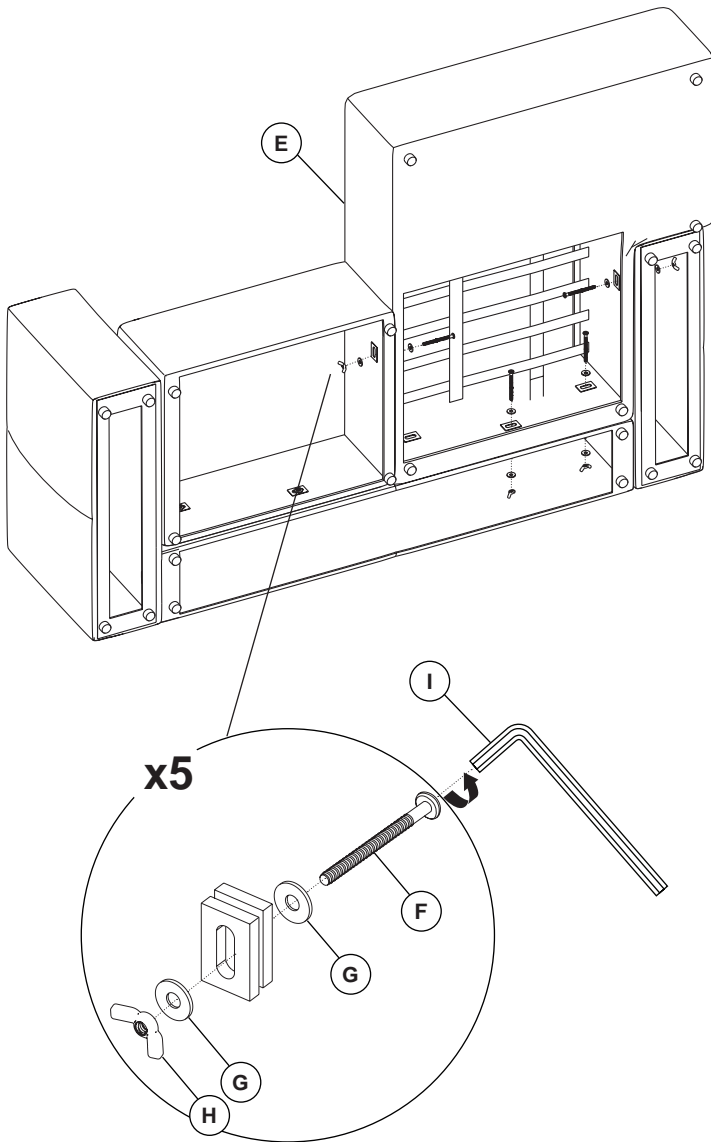
3



4



5



6

