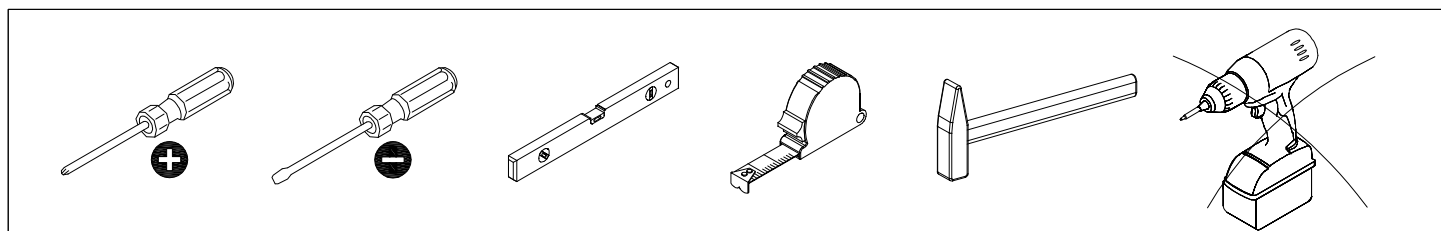
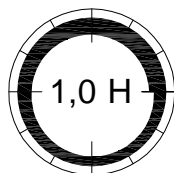
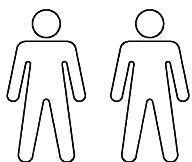
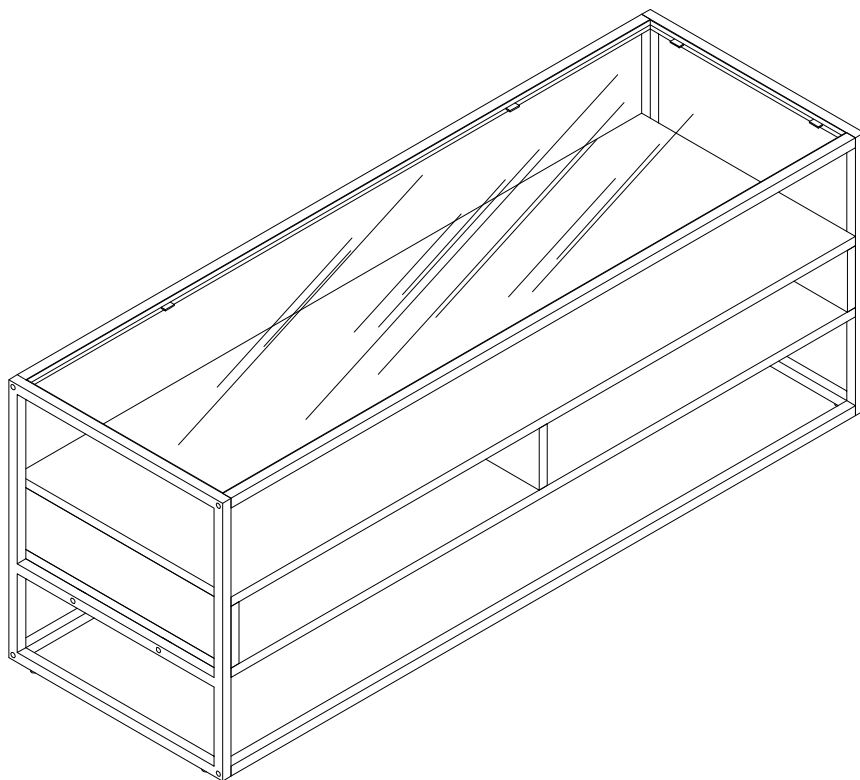
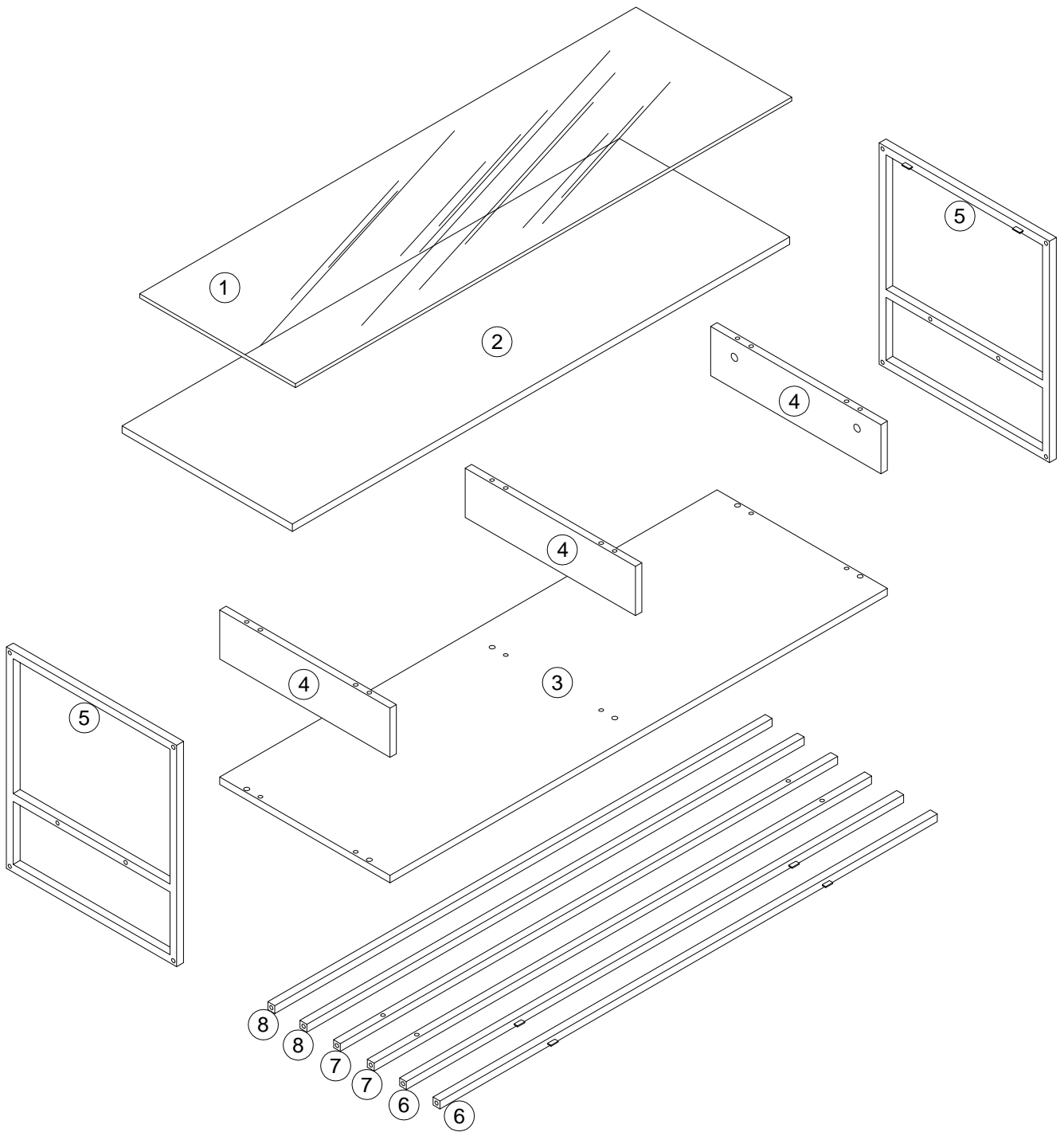


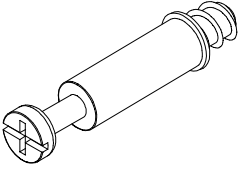

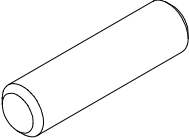
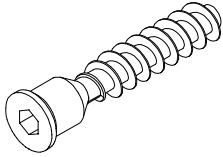
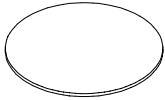
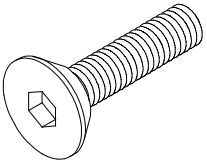
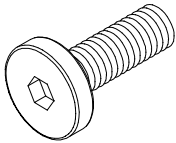
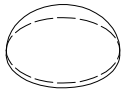
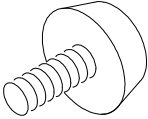
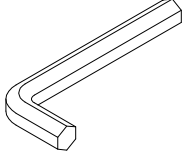
# RANDOLF



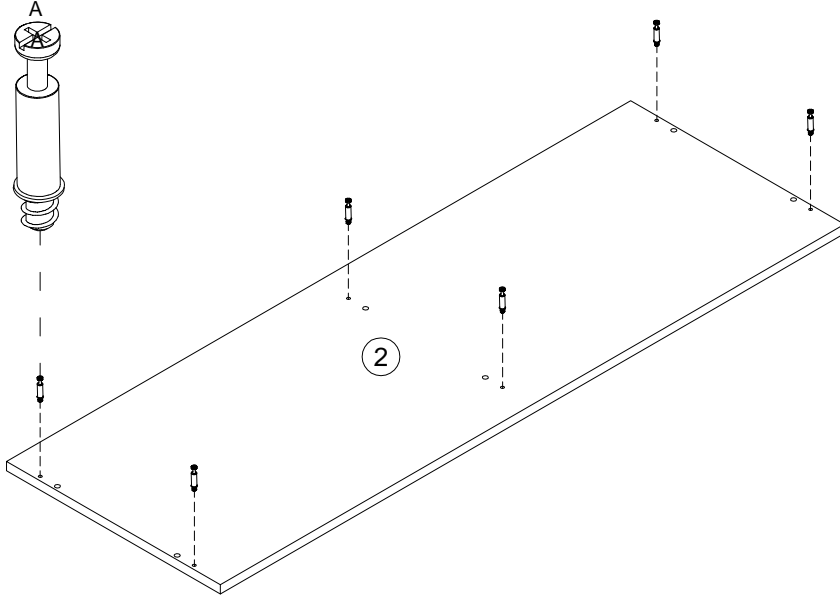
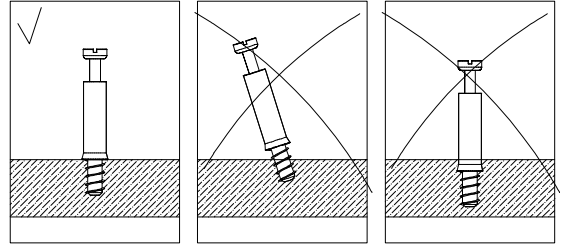
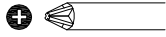
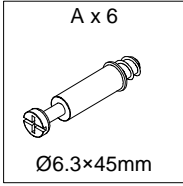
			✓
①	1	1166X366X8	
②	1	1168X400X15	
③	1	1168X400X15	
④	3	400X100X15	

			✓
⑤	2	450X400X26/16	
⑥	2	1168X26X16	
⑦	2	1168X16X16	
⑧	2	1168X16X16	

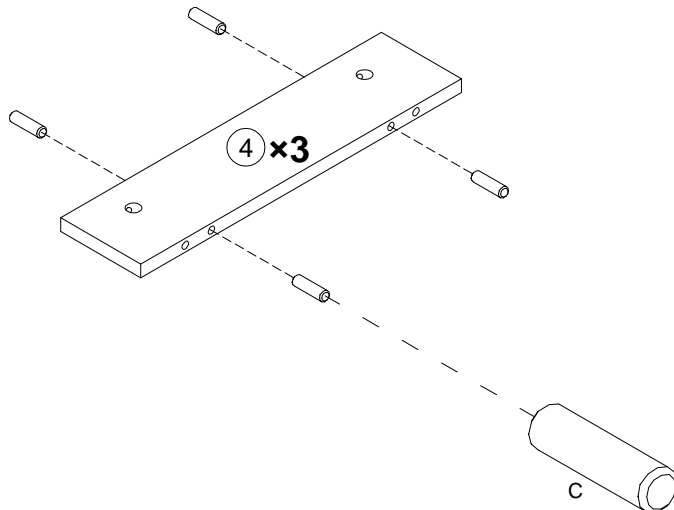
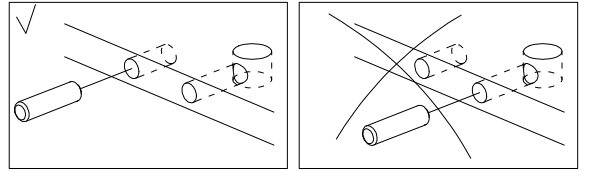
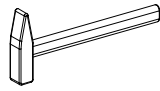
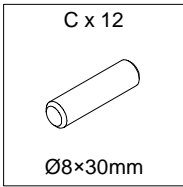


<p>A x 6</p>  <p>Ø6.3×45mm</p>	<p>B x 6</p>  <p>Ø15×12mm</p>	<p>C x 12</p>  <p>Ø8×30mm</p>	<p>D x 6</p>  <p>Ø7×38mm</p>	<p>E x 6</p>  <p>Ø20mm</p>
<p>F x 12</p>  <p>M6×30mm</p>	<p>G x 6</p>  <p>M6×25mm</p>	<p>H x 8</p>  <p>Ø10mm</p>	<p>J x 4</p>  <p>M6/Ø13mm</p>	<p>K x 1</p>  <p>4mm</p>

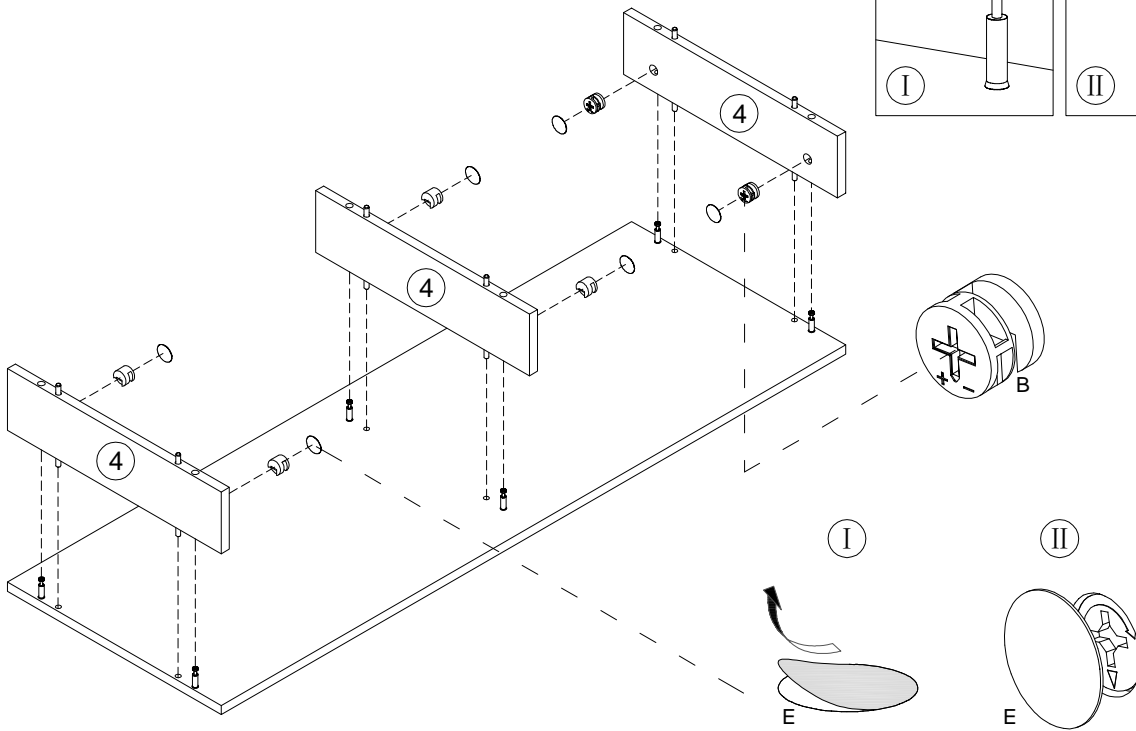
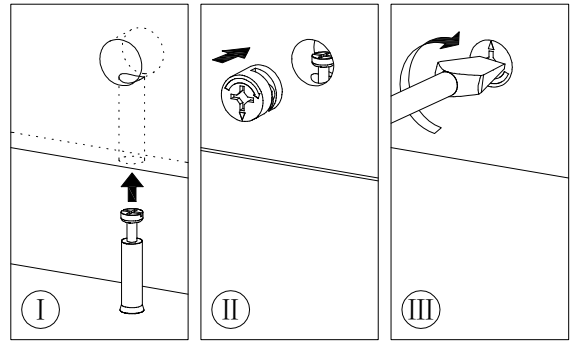
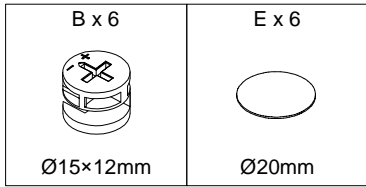
# 1



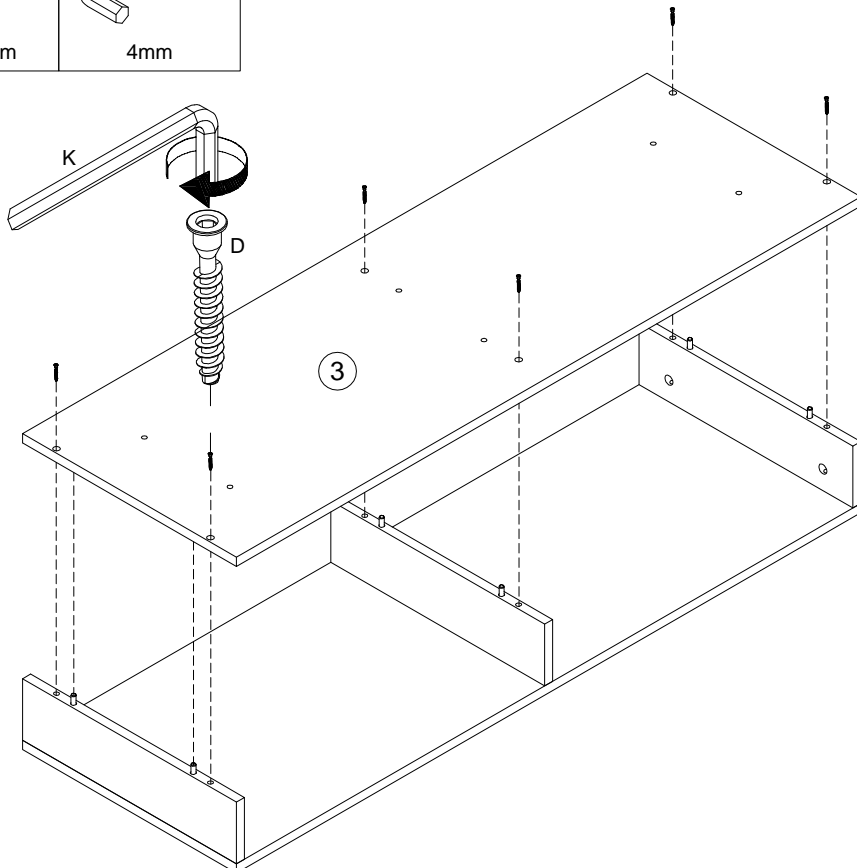
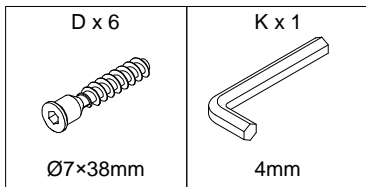
# 2



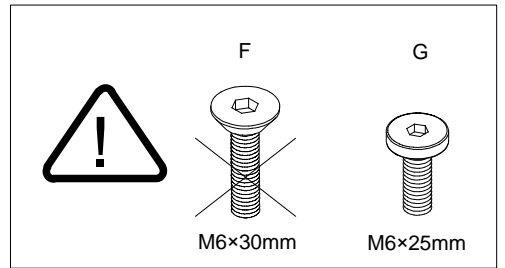
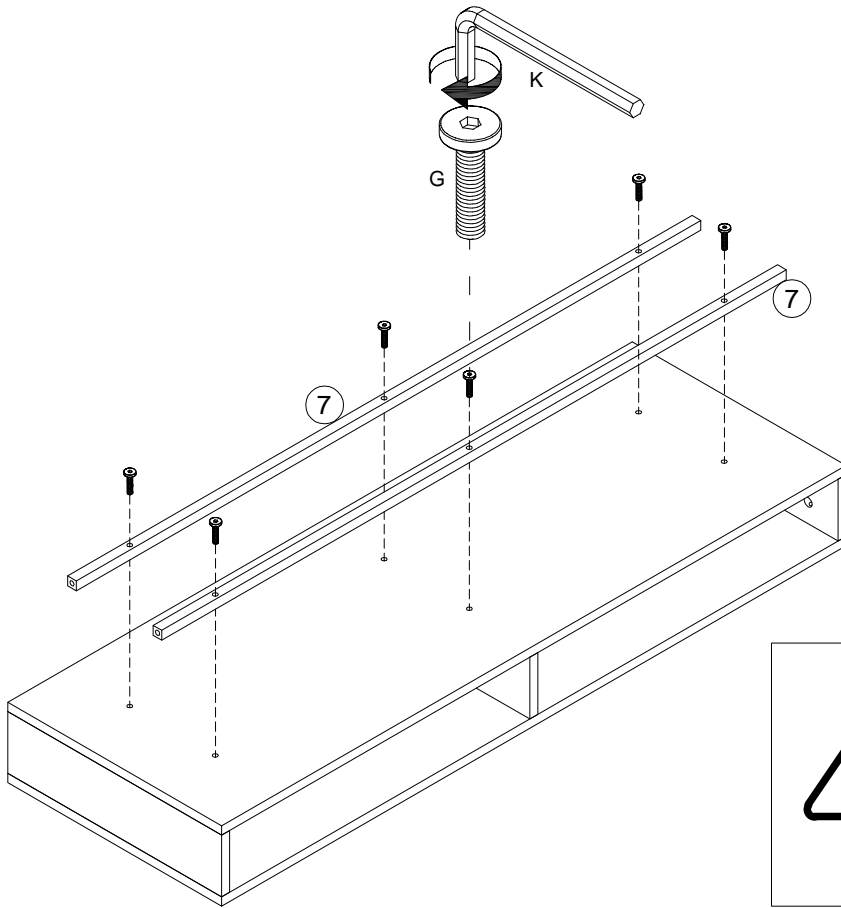
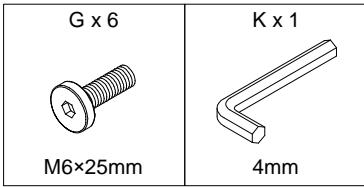
# 3



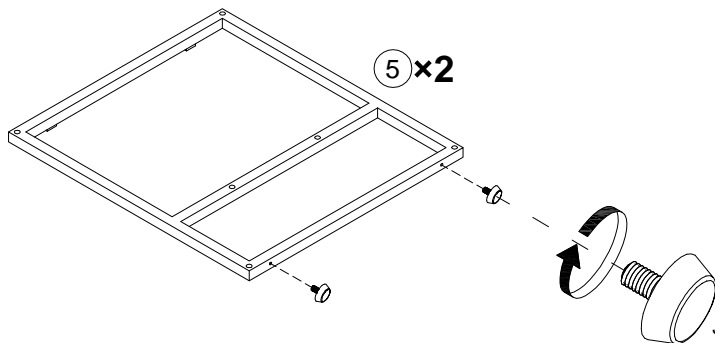
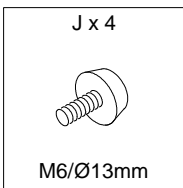
# 4



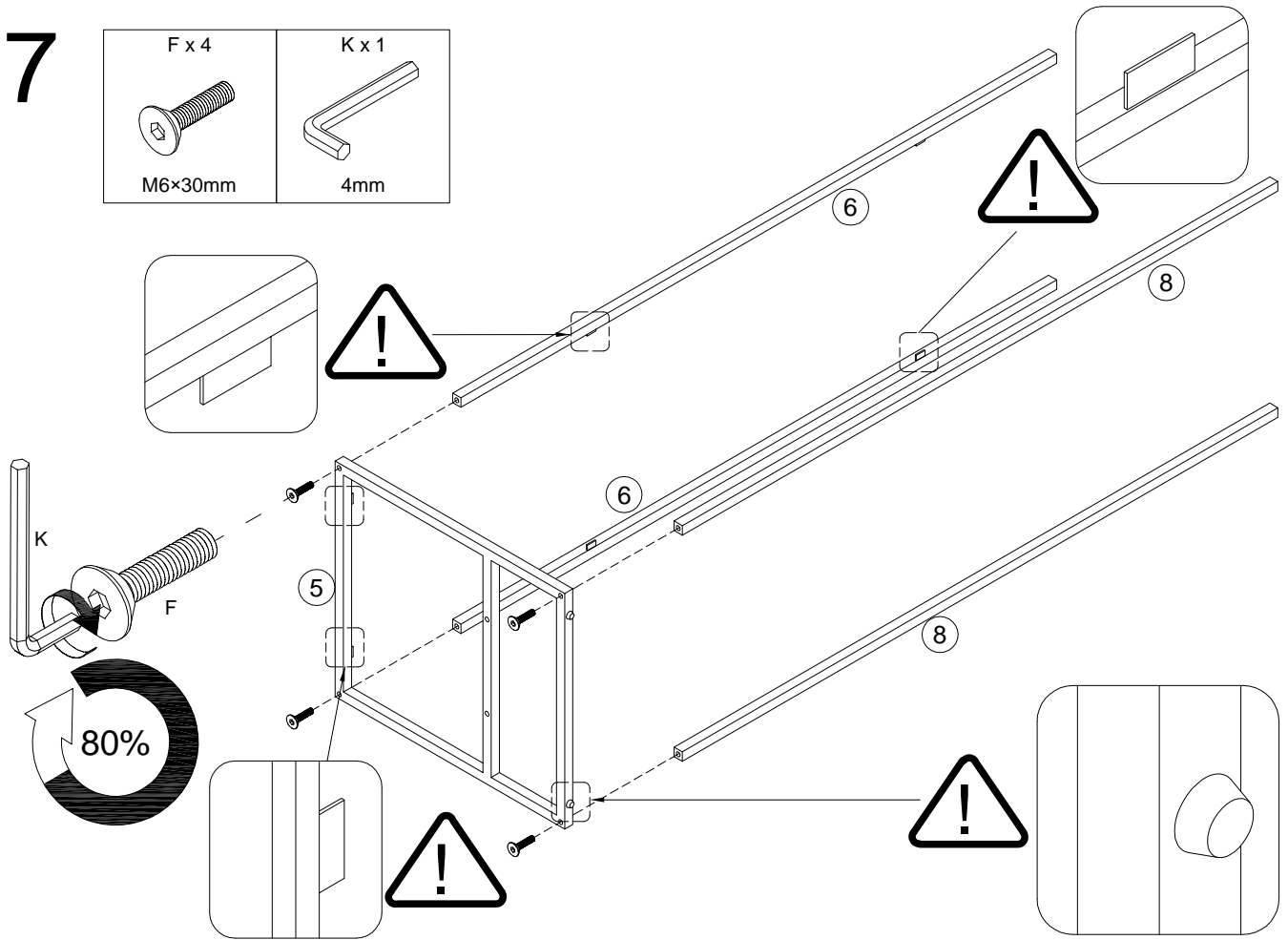
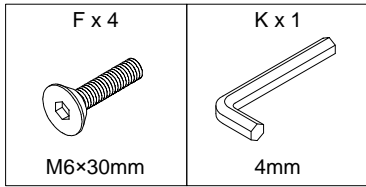
# 5



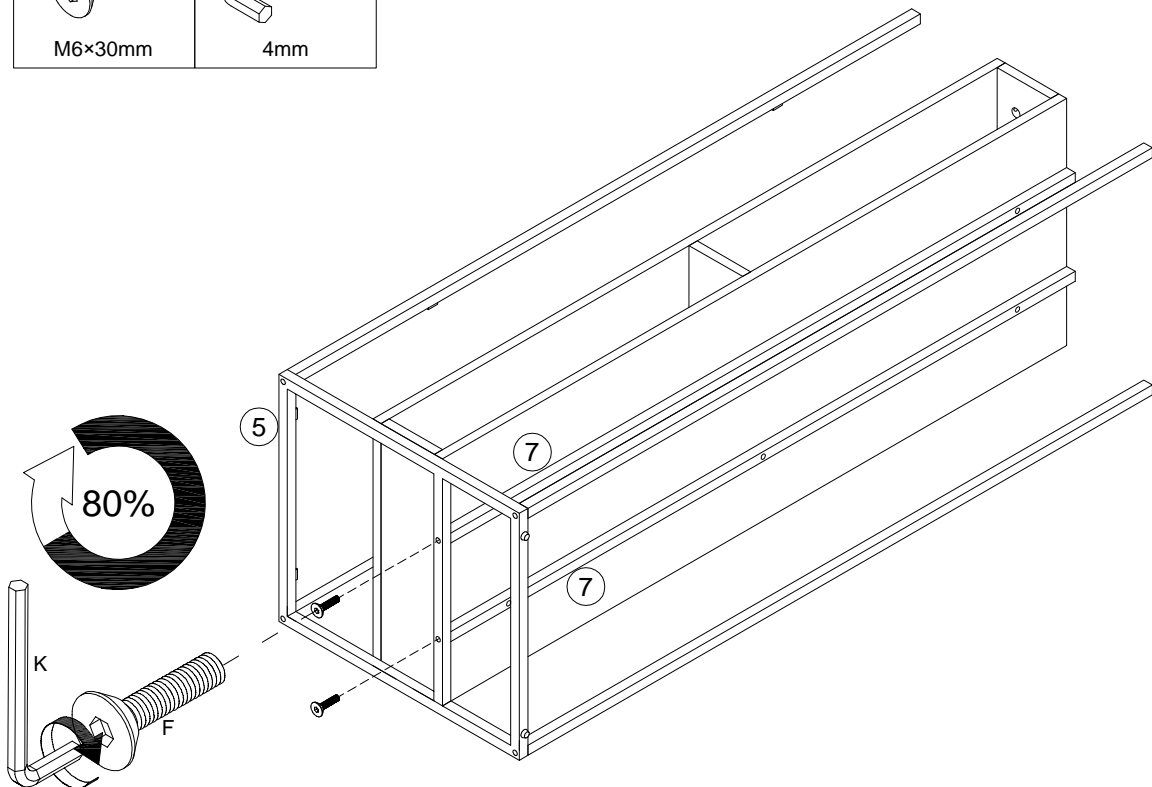
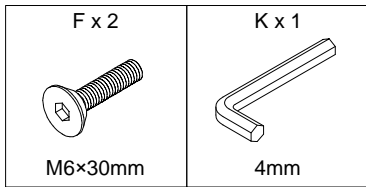
# 6



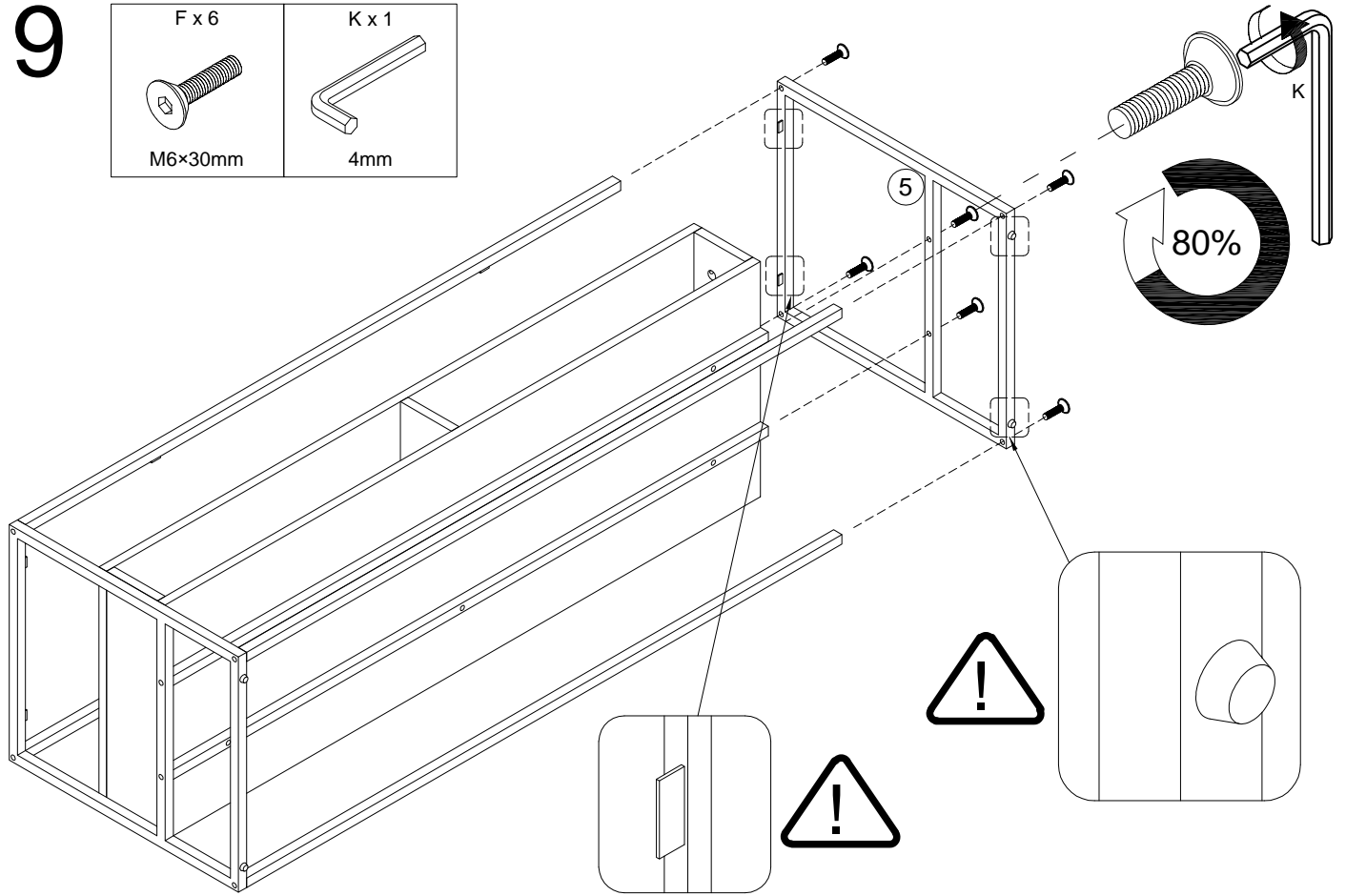
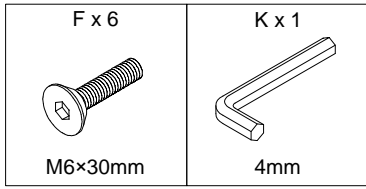
# 7



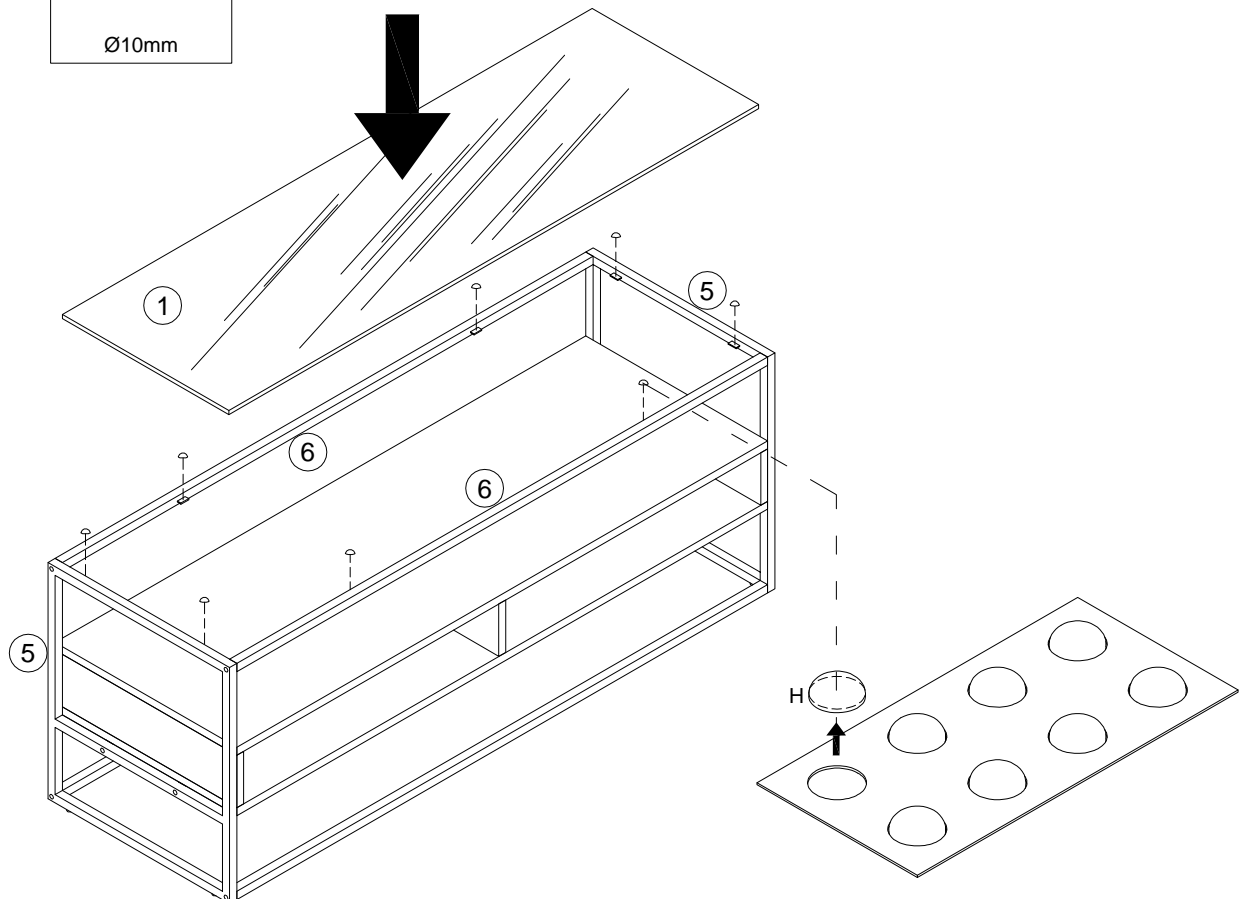
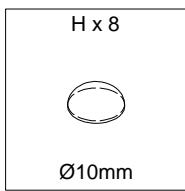
# 8



# 9

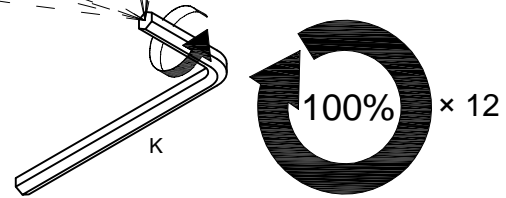
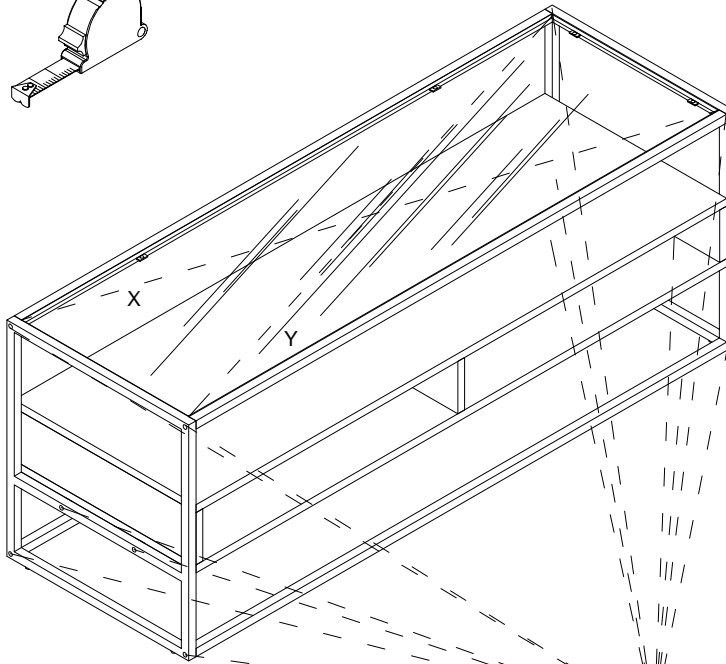
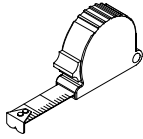


# 10

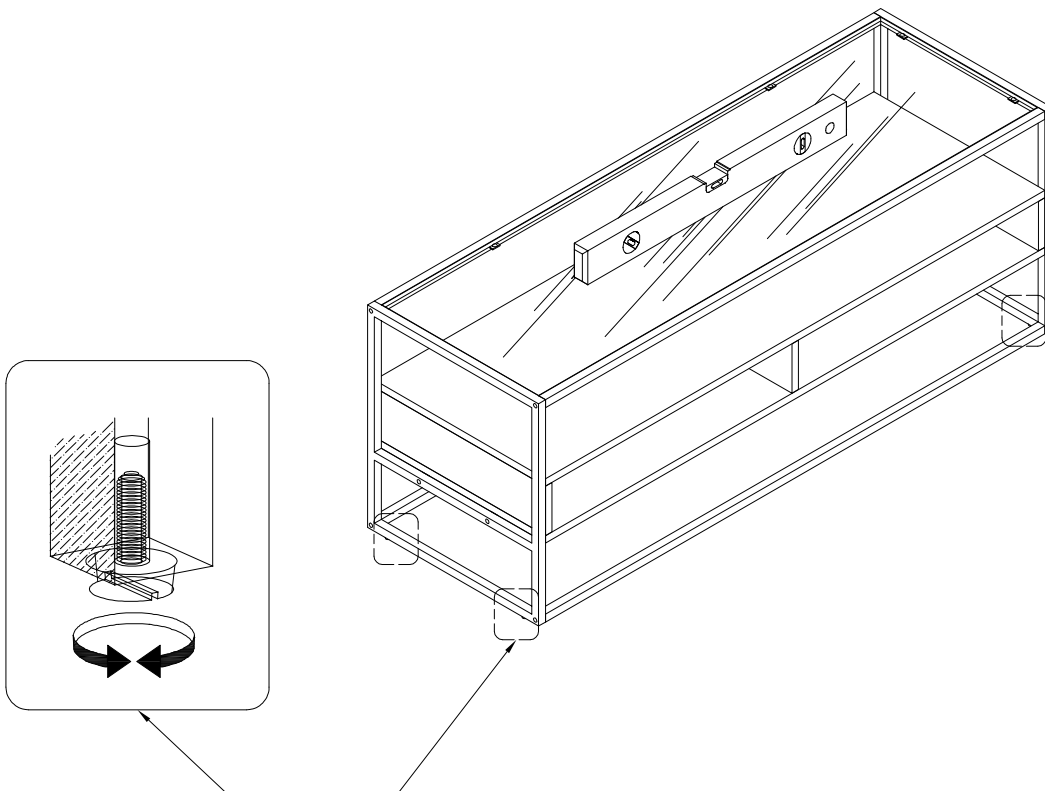
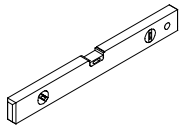




# 11



# 12



13

