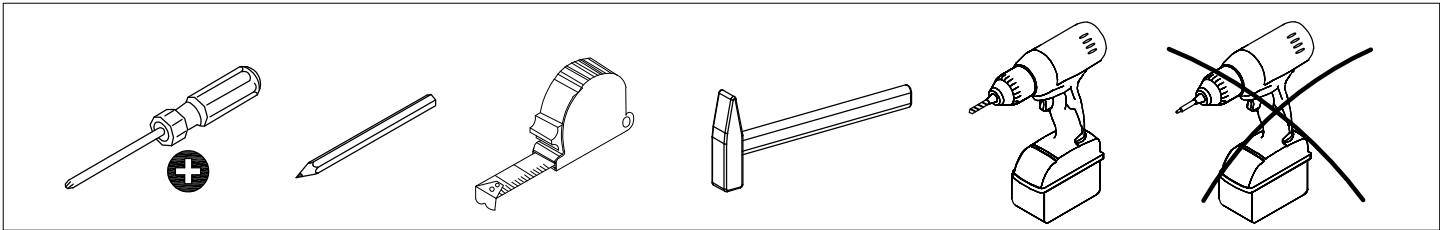
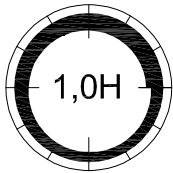
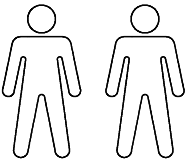
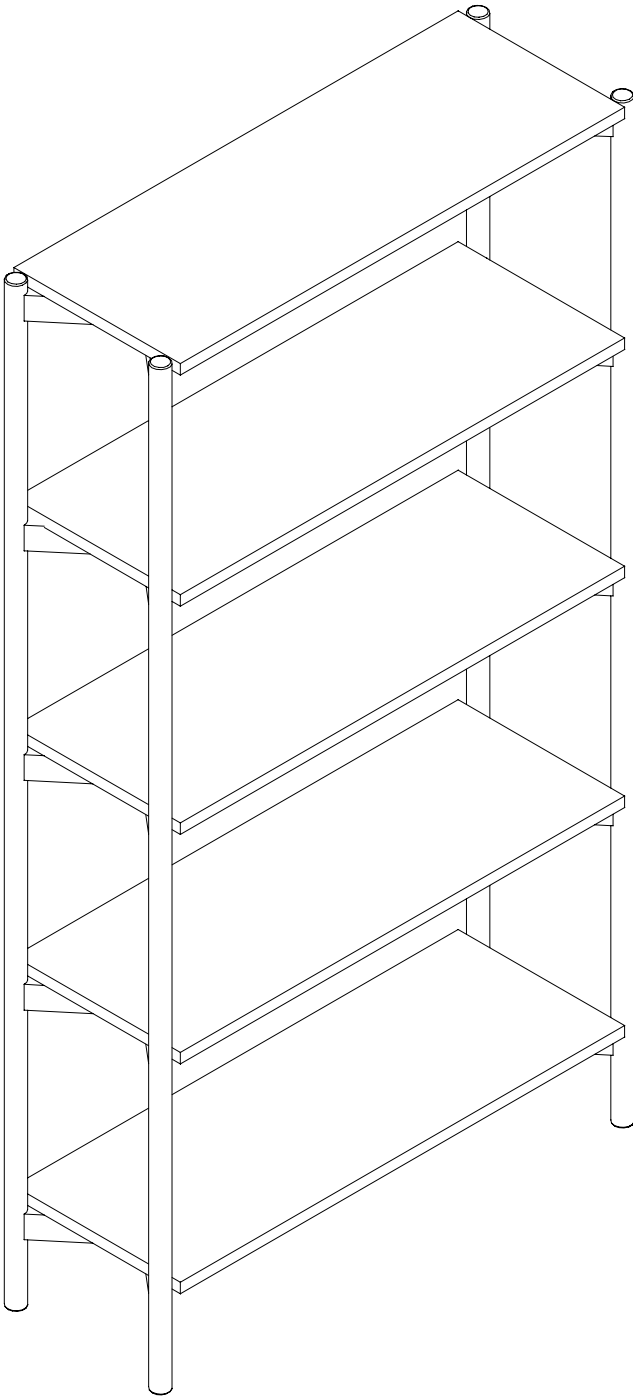
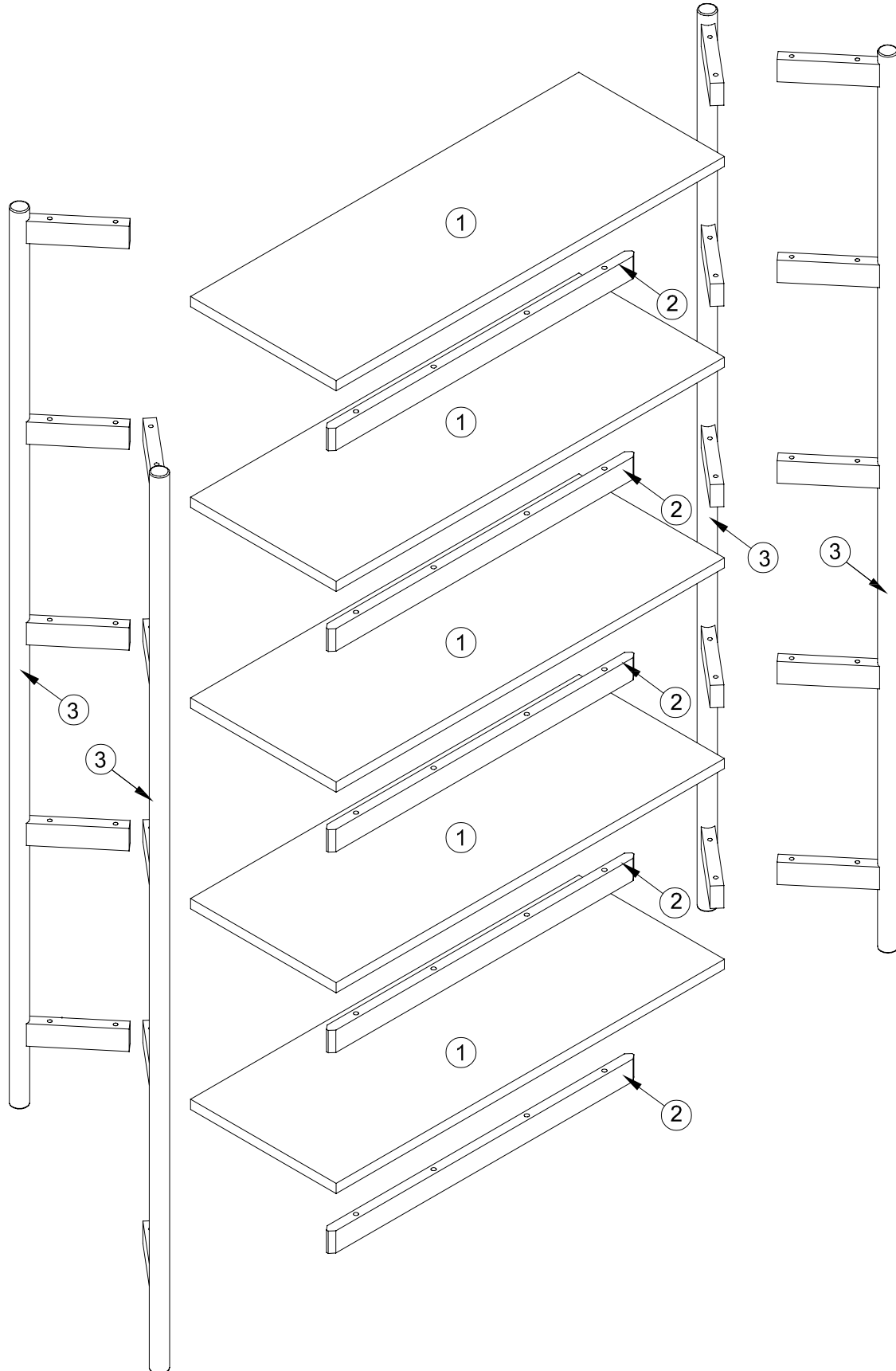
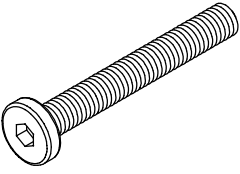
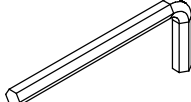
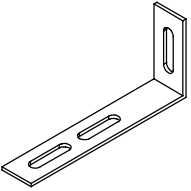
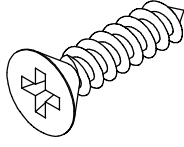
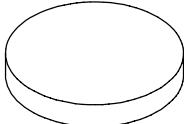
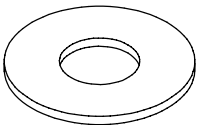


OXFORD

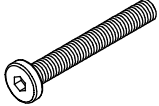
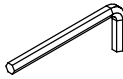
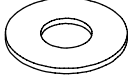


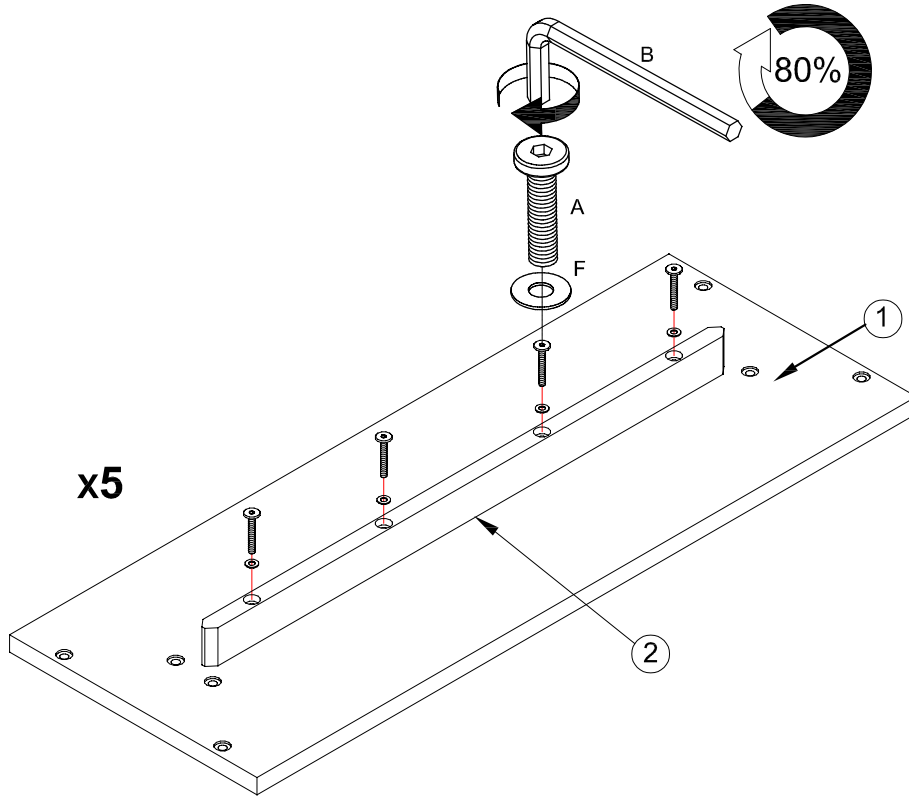
			✓
①	5	800x300x18	
②	5	630x40x18	
③	4	1600x176x30	



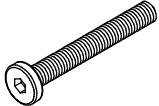
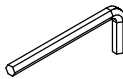
<p>A X 60</p>  <p>M6X45 mm</p>	<p>B X 1</p>  <p>4 mm</p>	<p>C X 2</p>  <p>85X30X15 mm</p>	<p>D X 4</p>  <p>Ø3.5X14 mm</p>	<p>E X 4</p>  <p>Ø25X3 mm</p>
<p>F X 20</p>  <p>Ø6/Ø12 mm</p>				

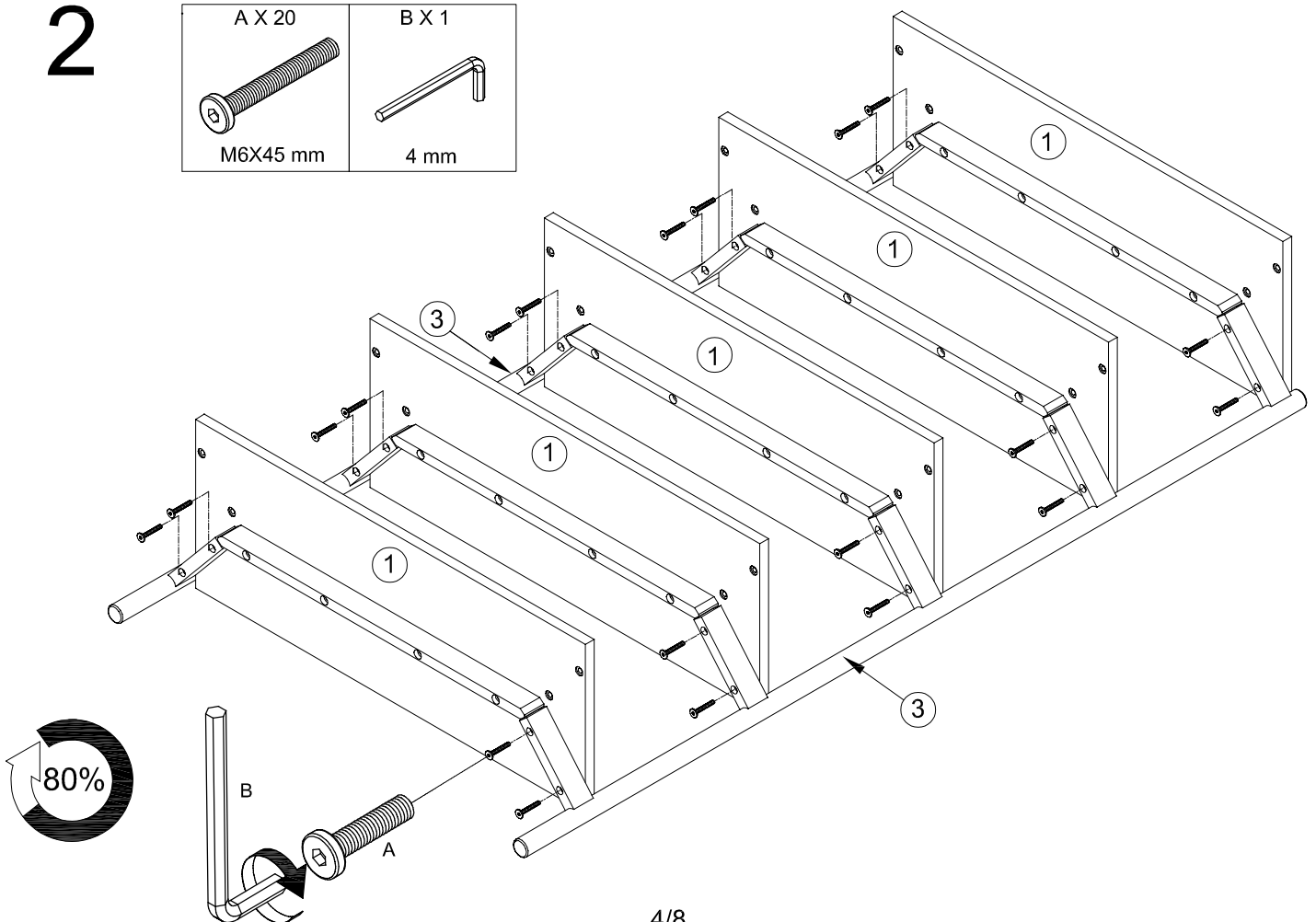
1

A X 20  M6X45 mm	B X 1  4 mm	F X 20  Ø6/Ø12 mm
---	--	--

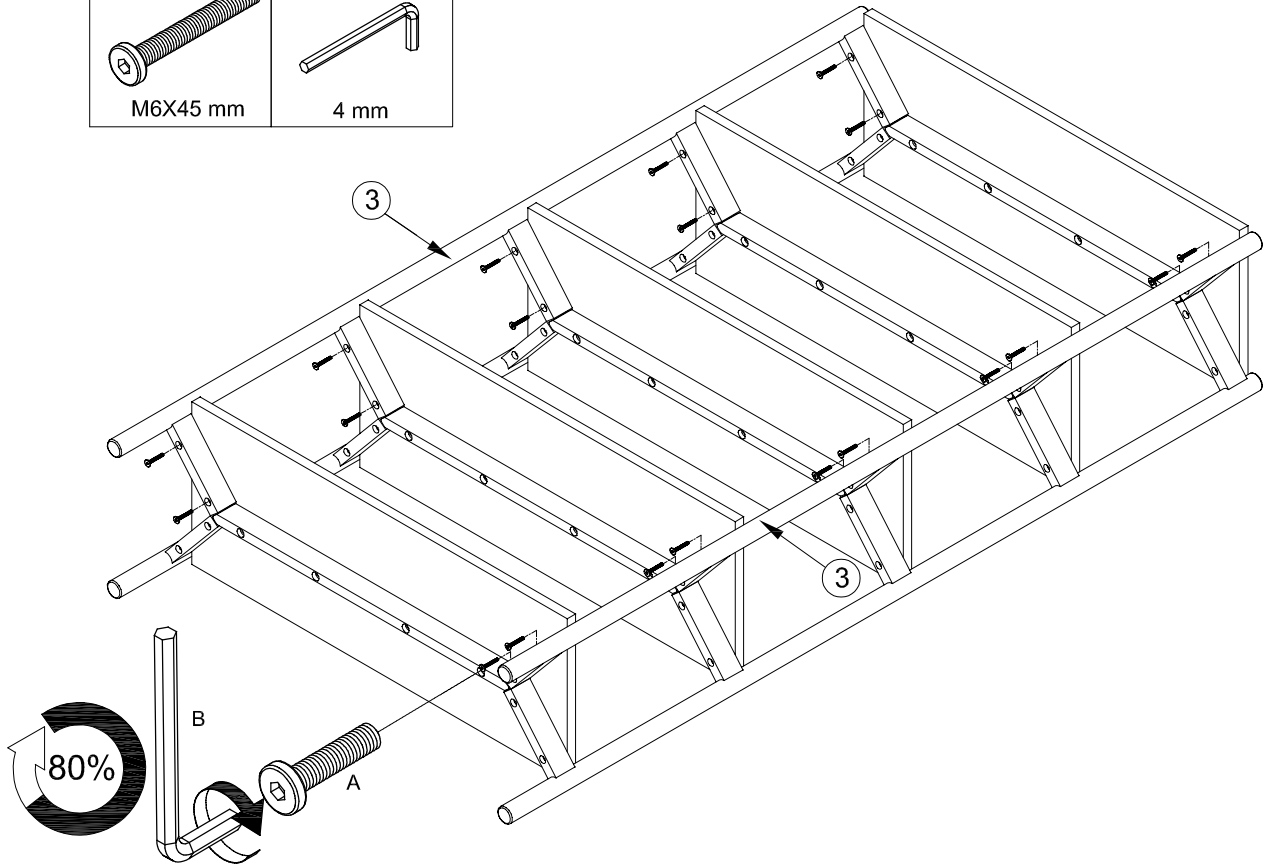
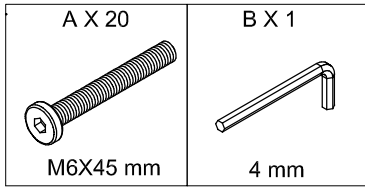


2

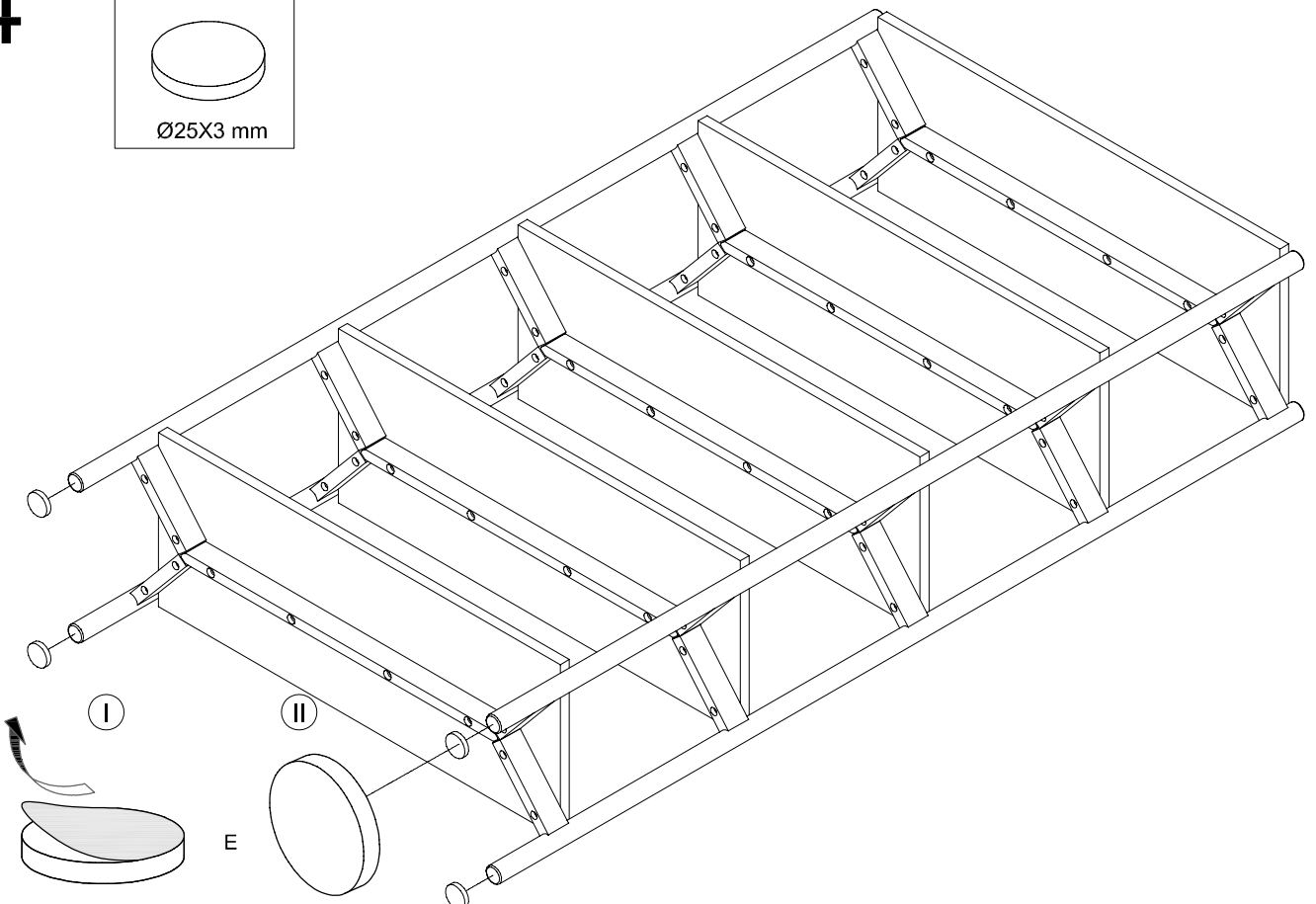
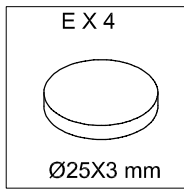
A X 20  M6X45 mm	B X 1  4 mm
---	--



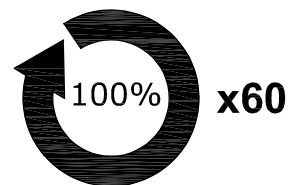
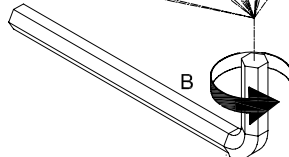
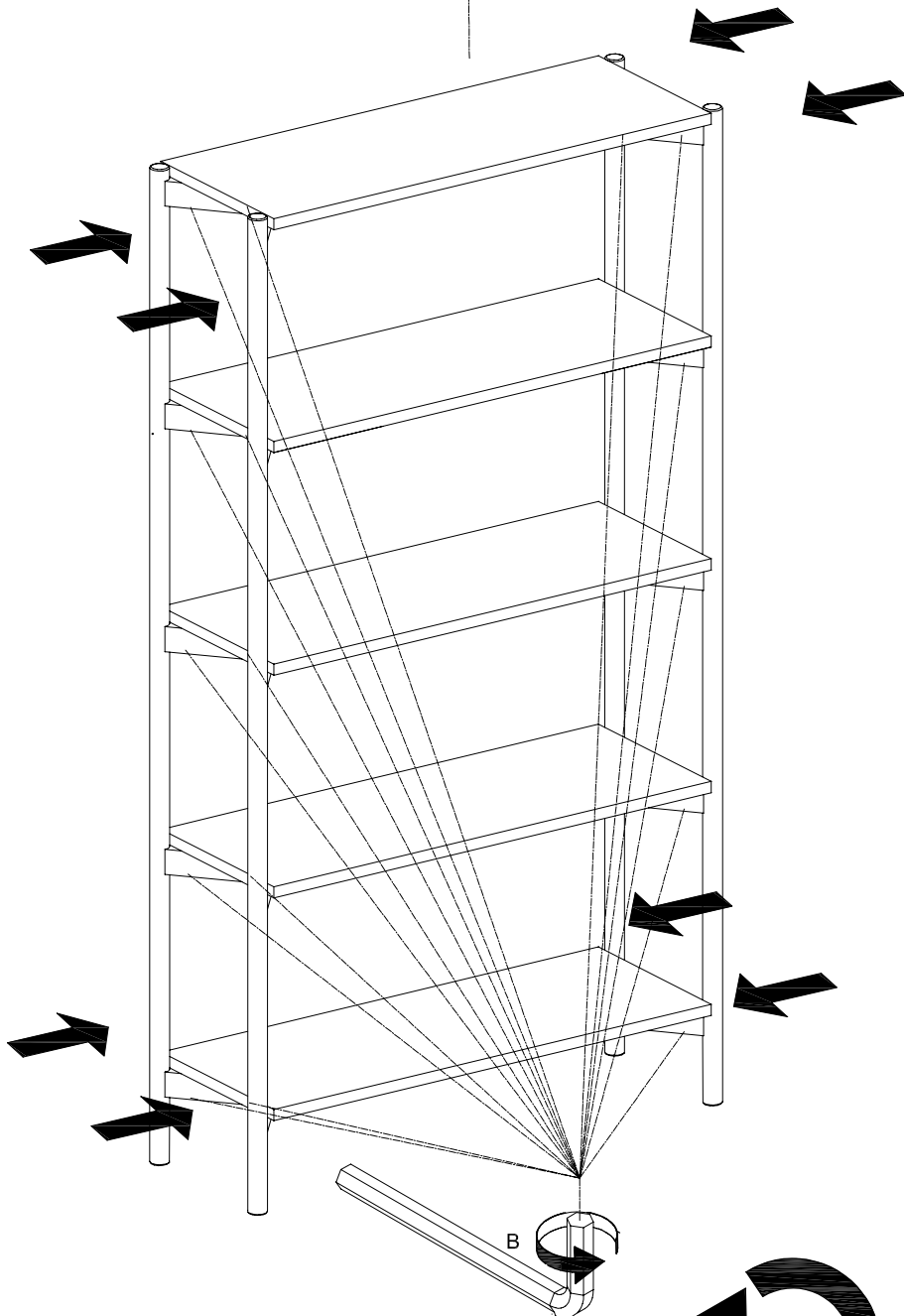
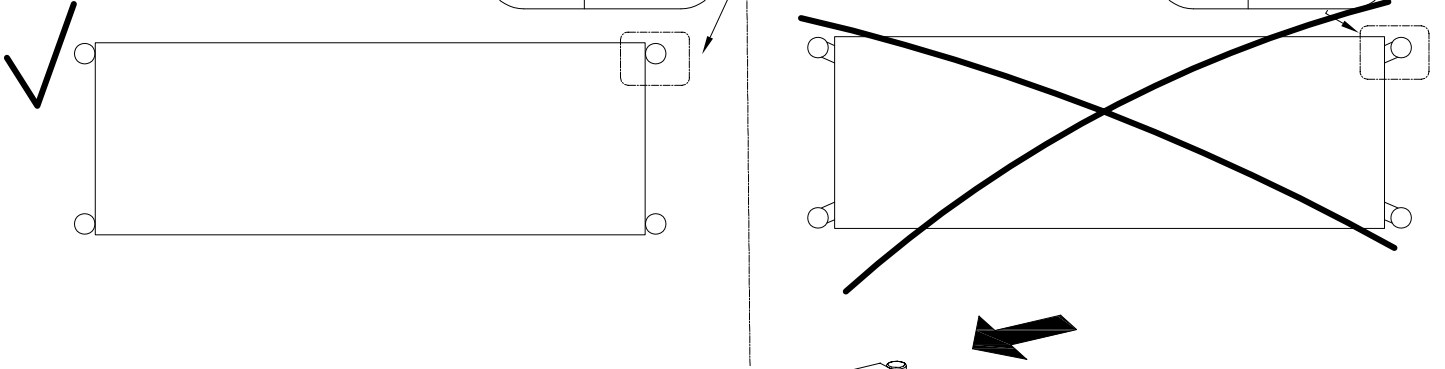
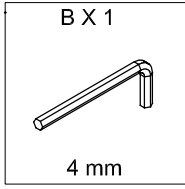
3



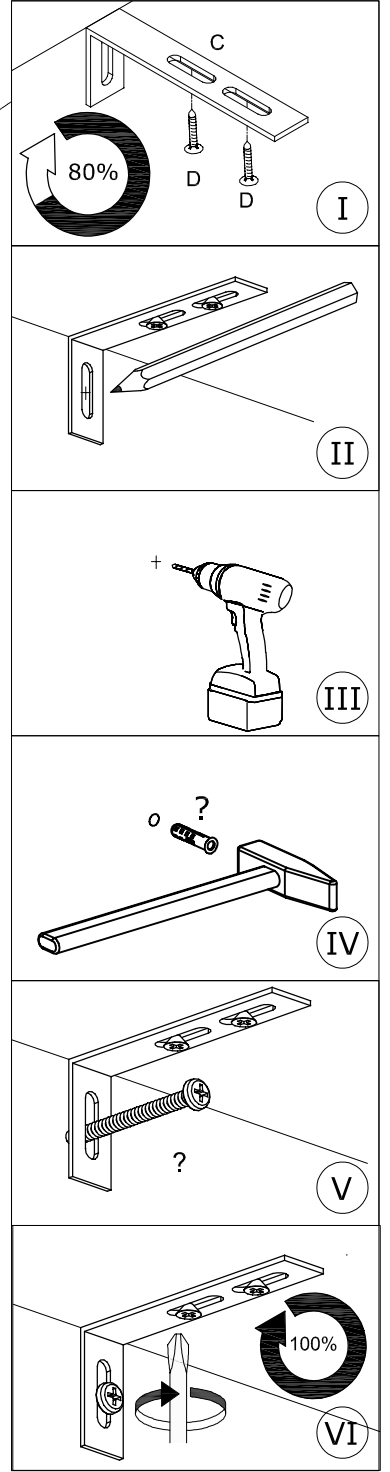
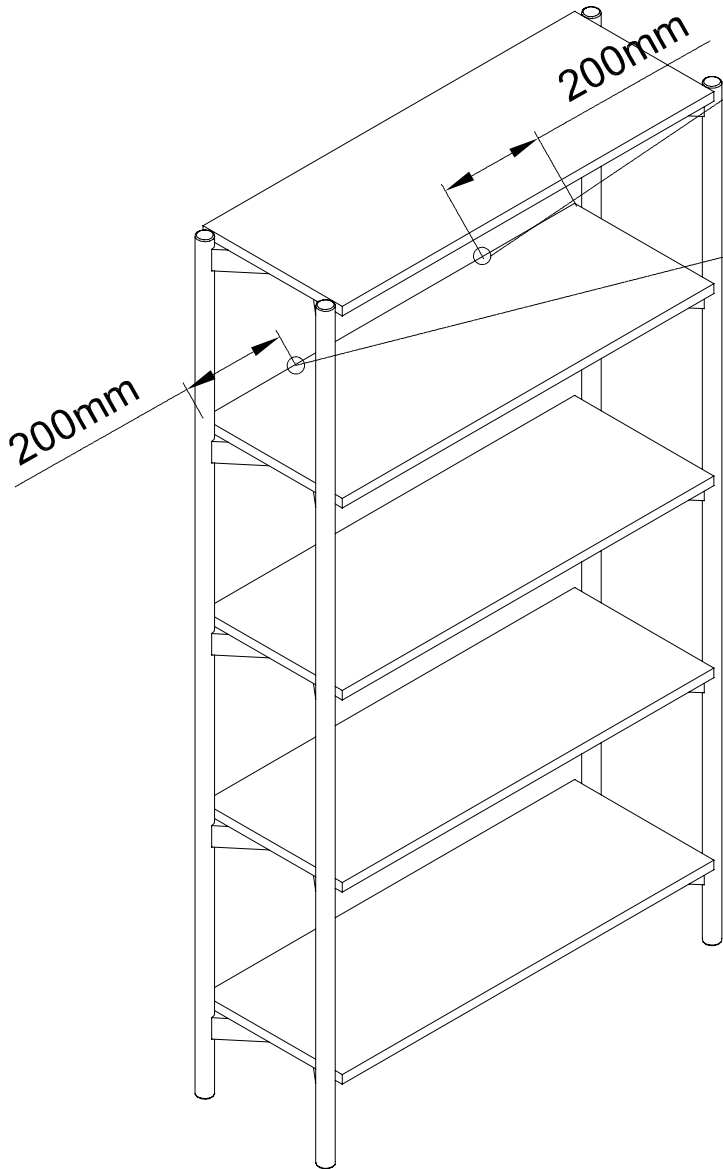
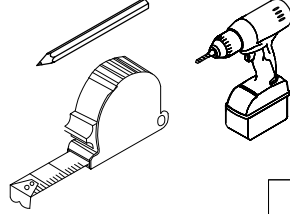
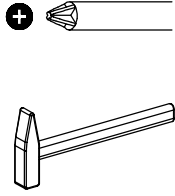
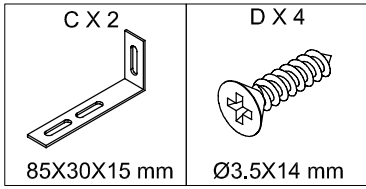
4



5



6



7

