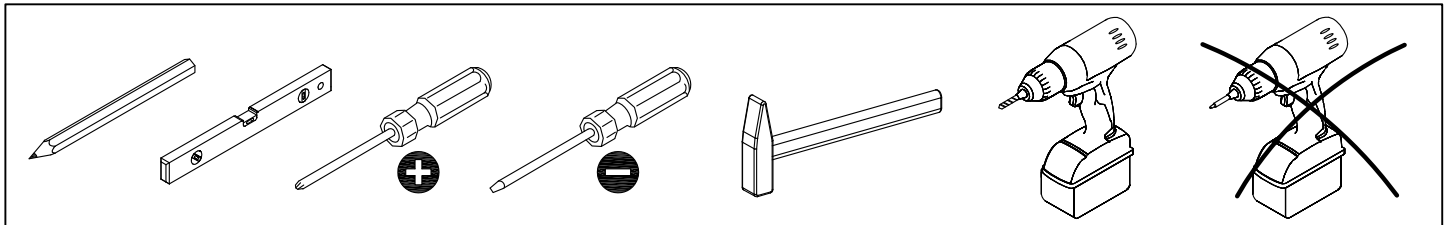
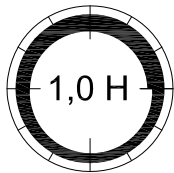
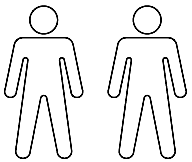
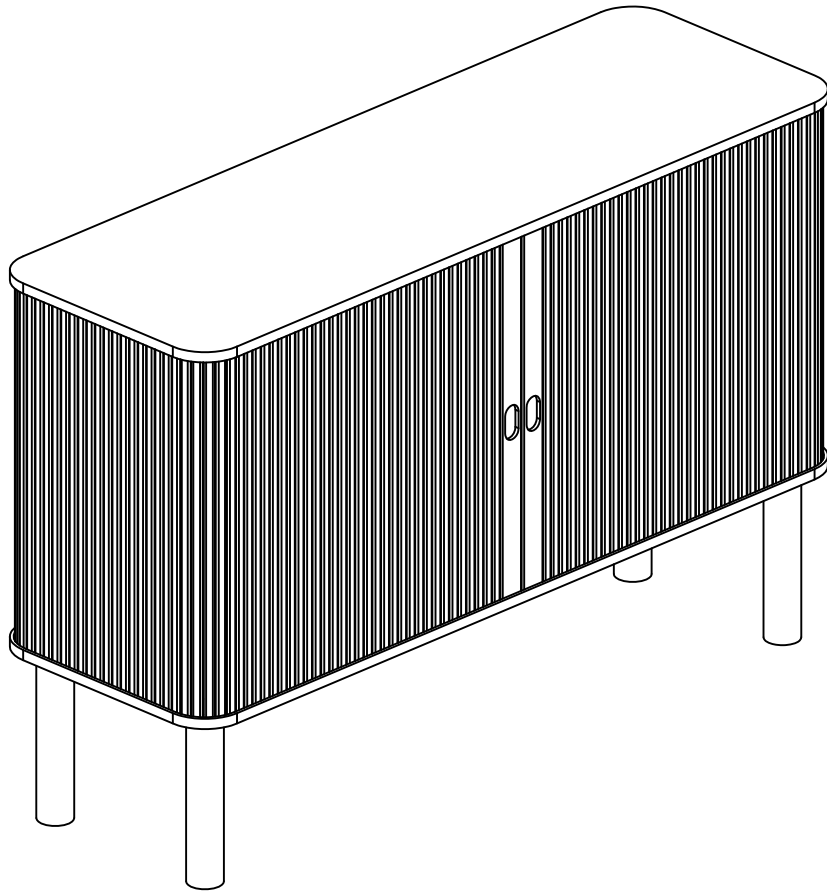
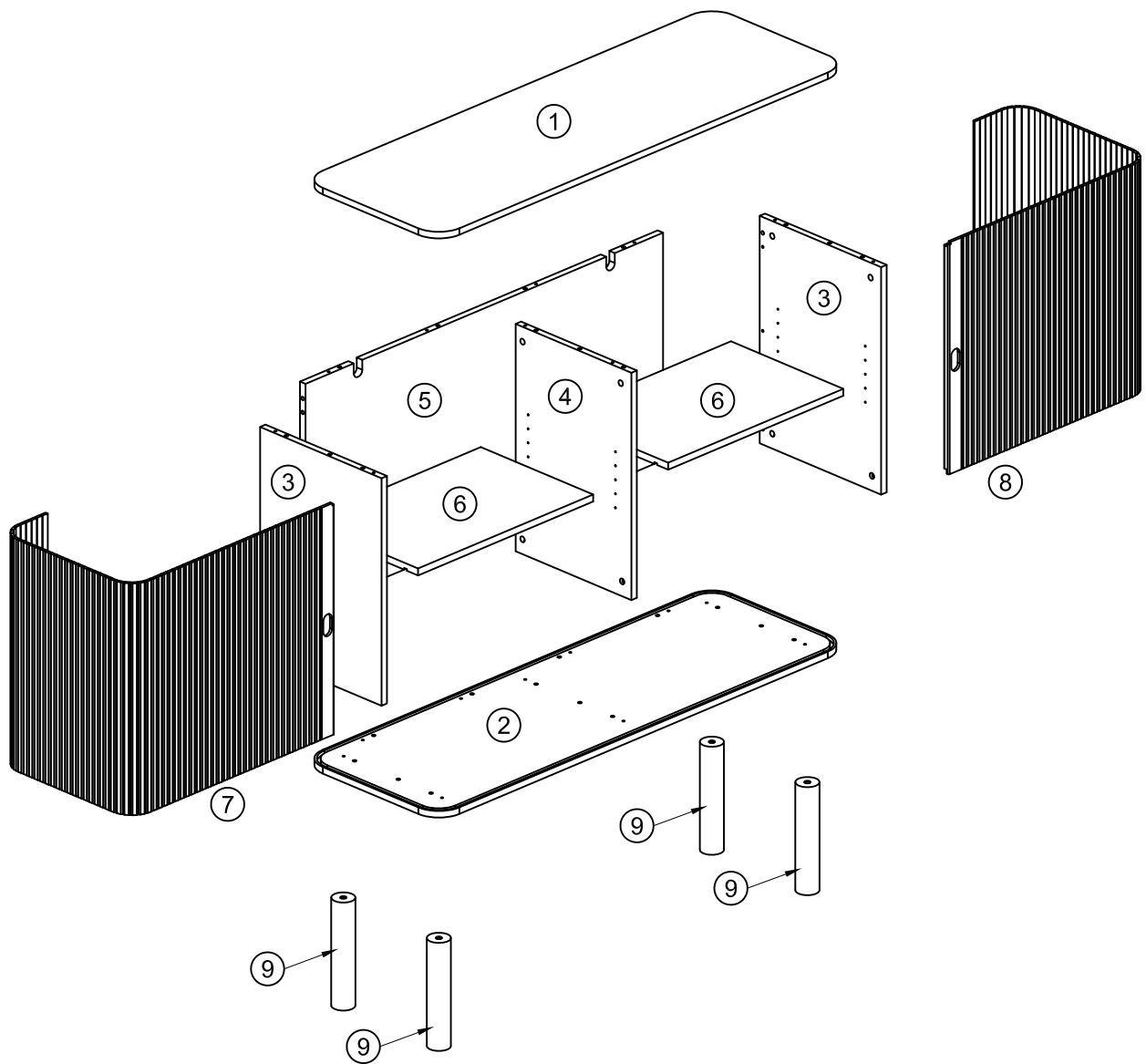



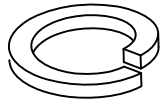

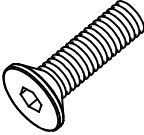
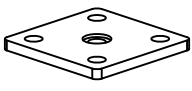
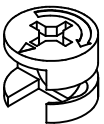
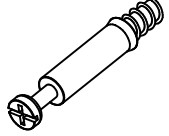
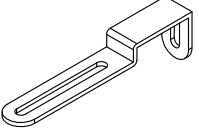
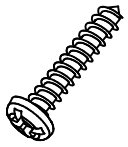
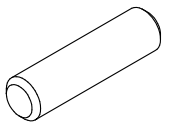

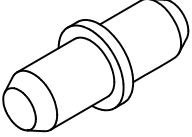
LANGLEY





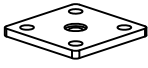
			✓
①	1	1200x400x15	
②	1	1200x400x15	
③	2	520x356x16	
④	1	520x339x16	
⑤	1	1048x520x16	

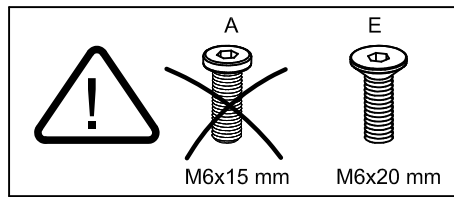
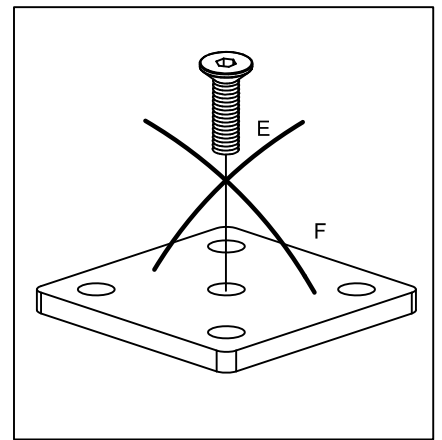
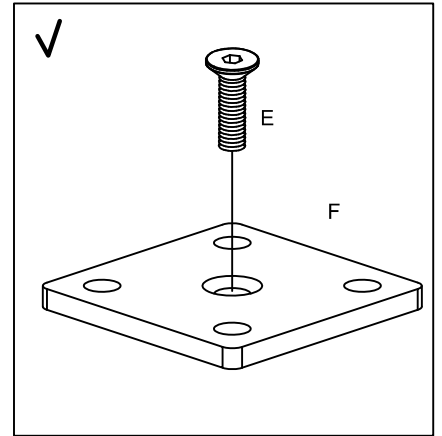
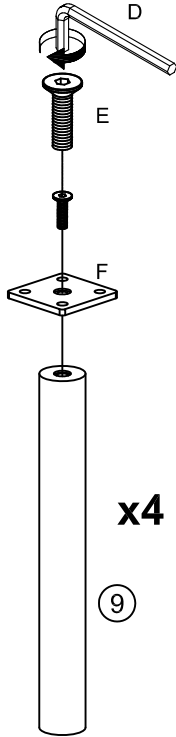
			✓
⑥	2	513x329x16	
⑦	1	1015x530x15	
⑧	1	1015x530x15	
⑨	4	247xØ50	




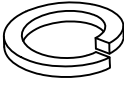

<p>A x 16</p>  <p>M6x15 mm</p>	<p>B x 16</p>  <p>Ø6 mm</p>	<p>D x 1</p>  <p>4 mm</p>	<p>E x 4</p>  <p>M6x20 mm</p>	<p>F x 4</p>  <p>75x75x3 mm</p>
<p>G x 26</p>  <p>Ø15x12 mm</p>	<p>H x 26</p>  <p>Ø6x43 mm</p>	<p>J x 2</p>  <p>96x15x25 mm</p>	<p>K x 4</p>  <p>Ø3.5x16 mm</p>	<p>L x 30</p>  <p>Ø8x30 mm</p>
<p>M x 12</p>  <p>Ø20 mm</p>	<p>N x 8</p>  <p>Ø5x16 mm</p>			

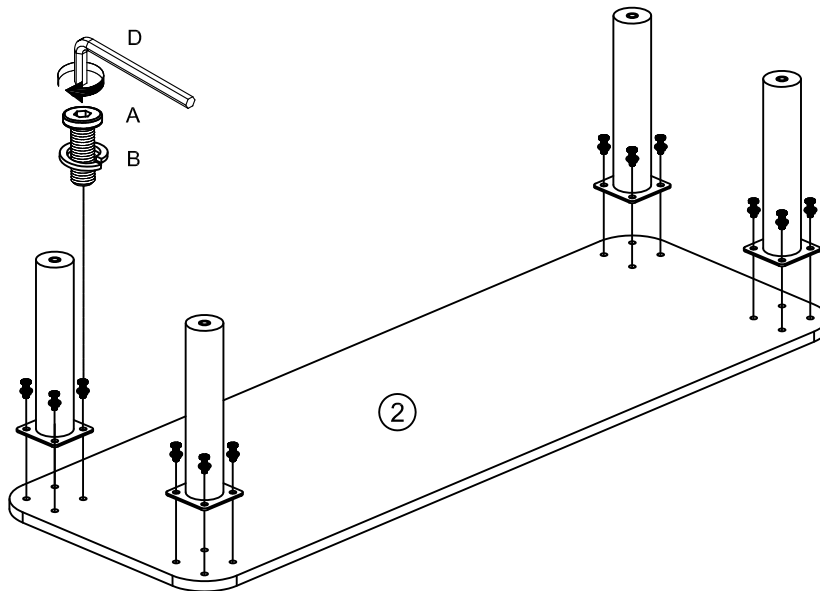
1

D x 1  4 mm	E x 4  M6x20 mm	F x 4  75x75x3 mm
--	--	--

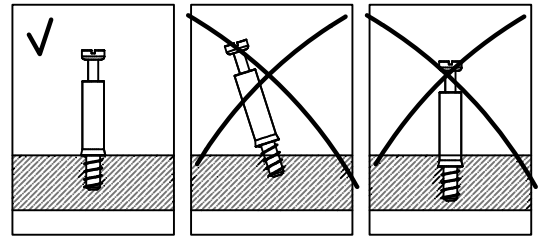
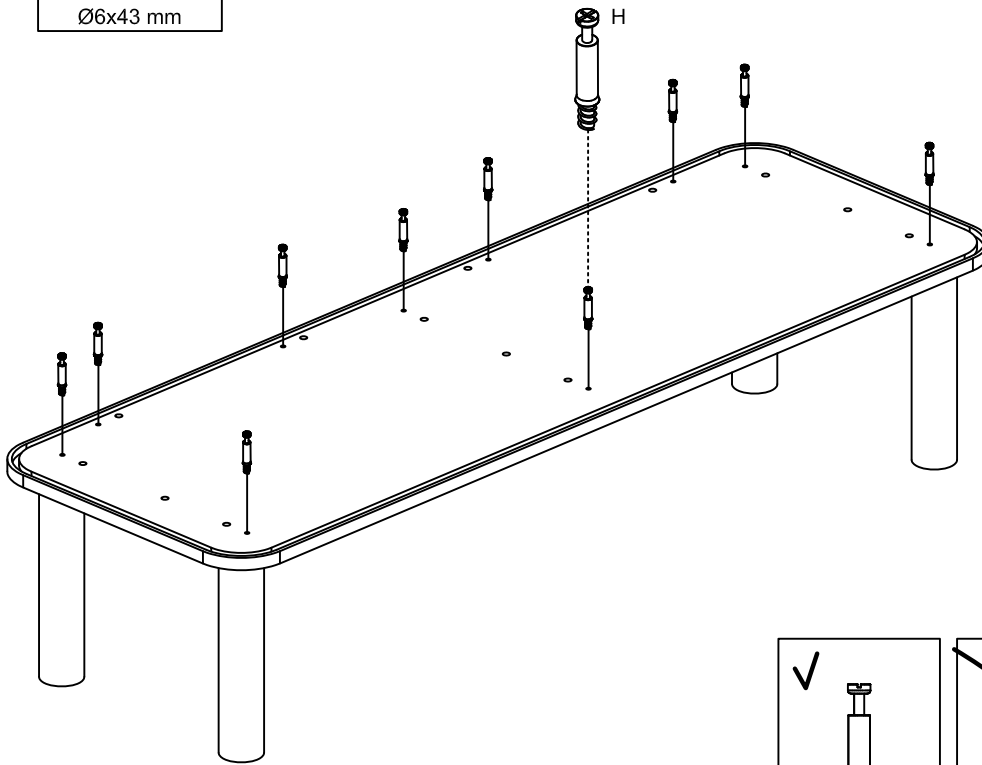
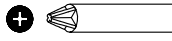
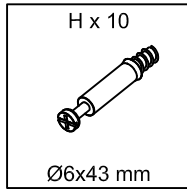


2

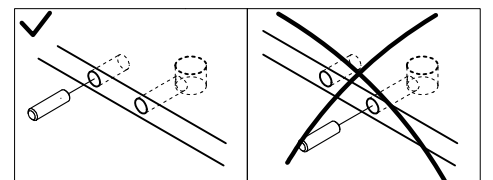
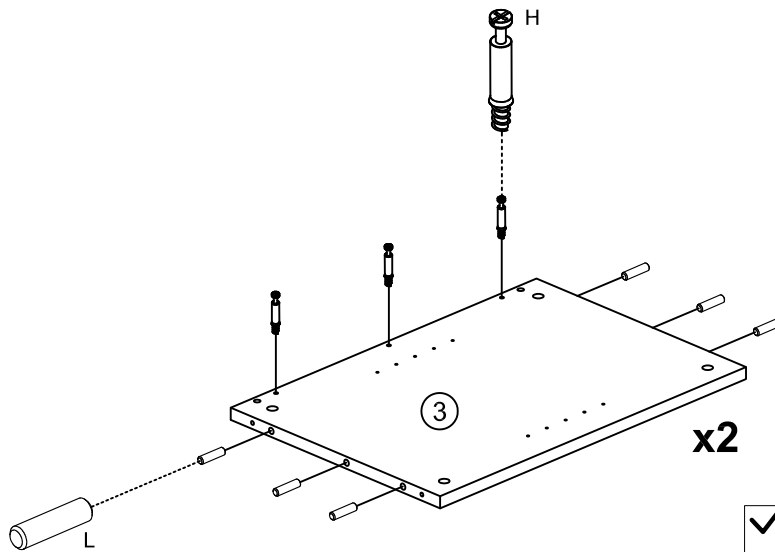
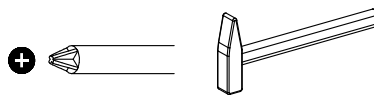
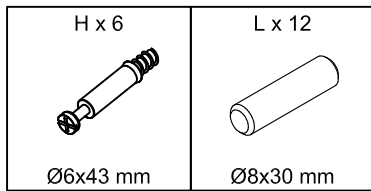
A x 16  M6x15 mm	B x 16  Ø6 mm	D x 1  4 mm
---	--	--



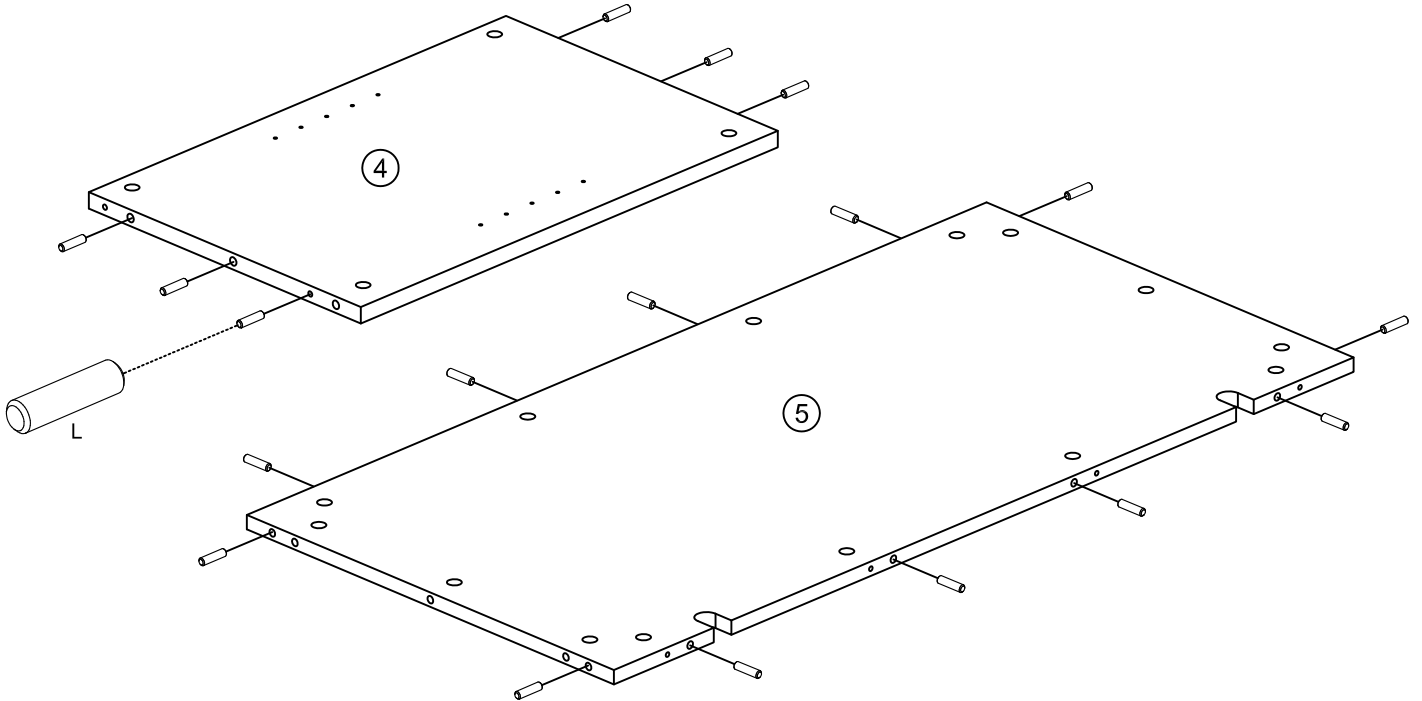
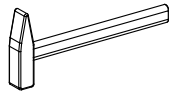
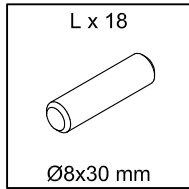
3



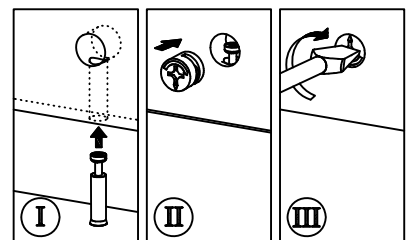
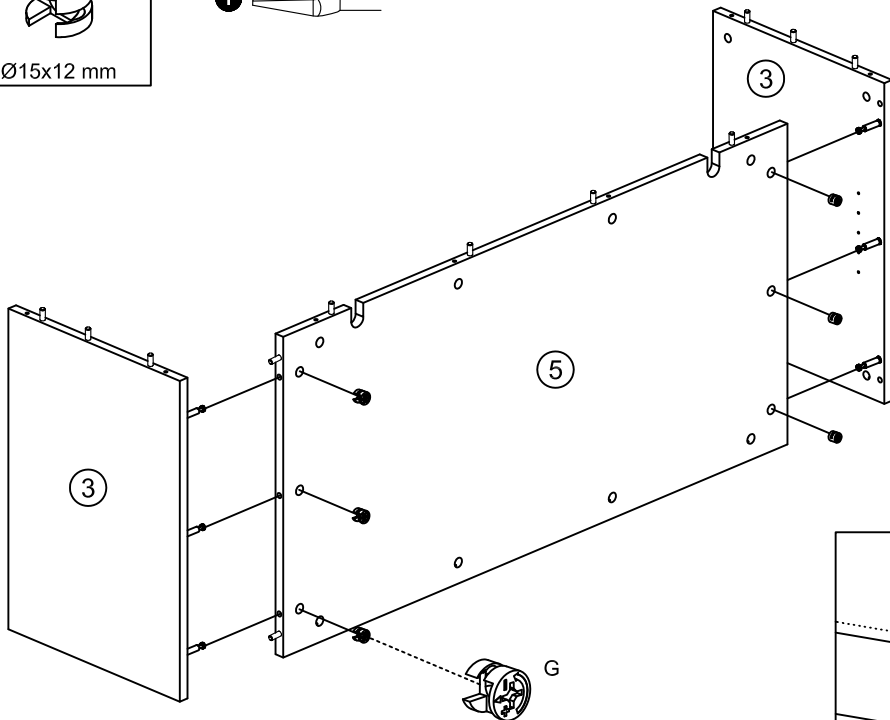
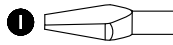
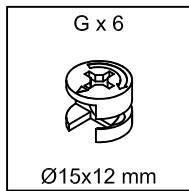
4



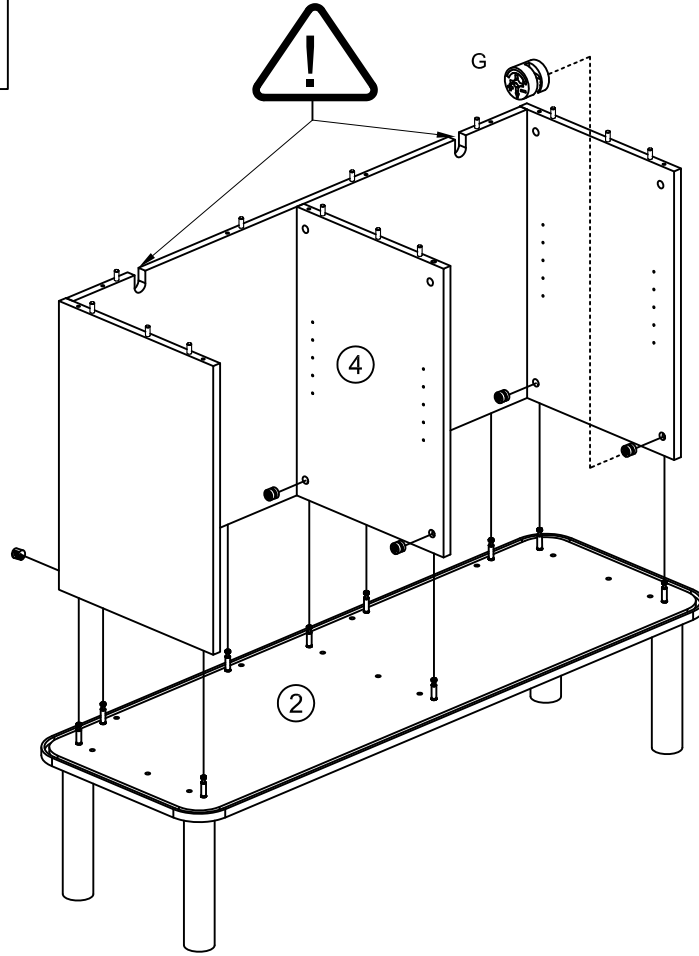
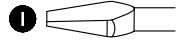
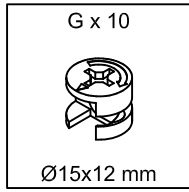
5



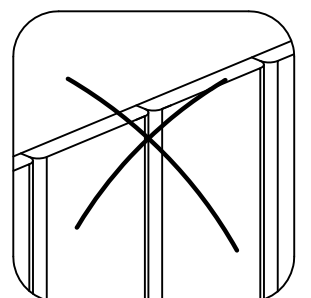
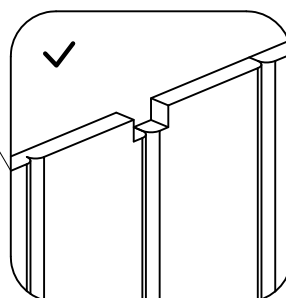
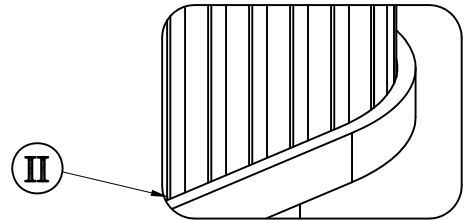
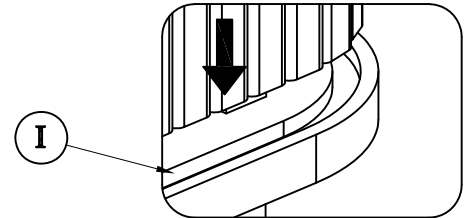
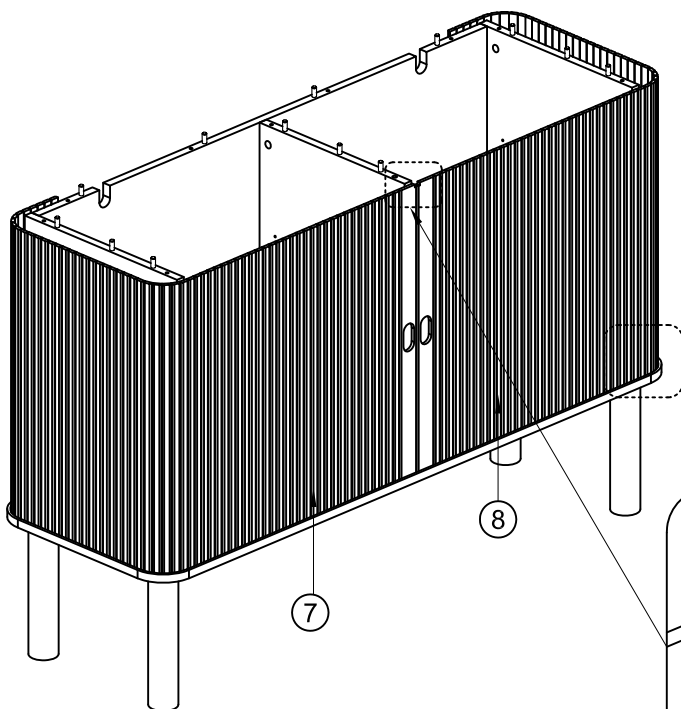
6



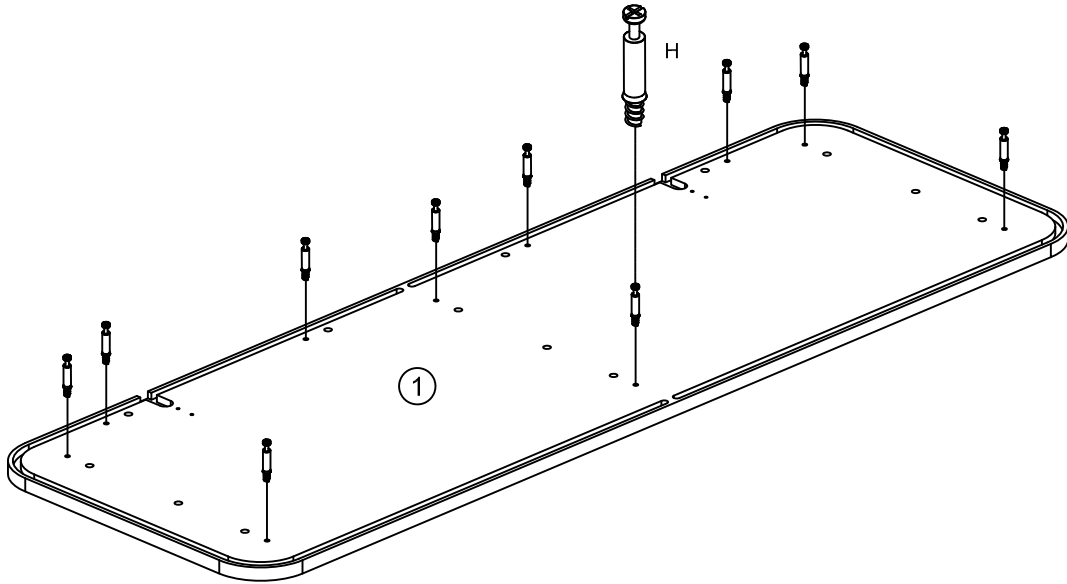
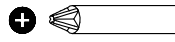
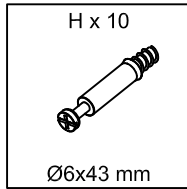
7



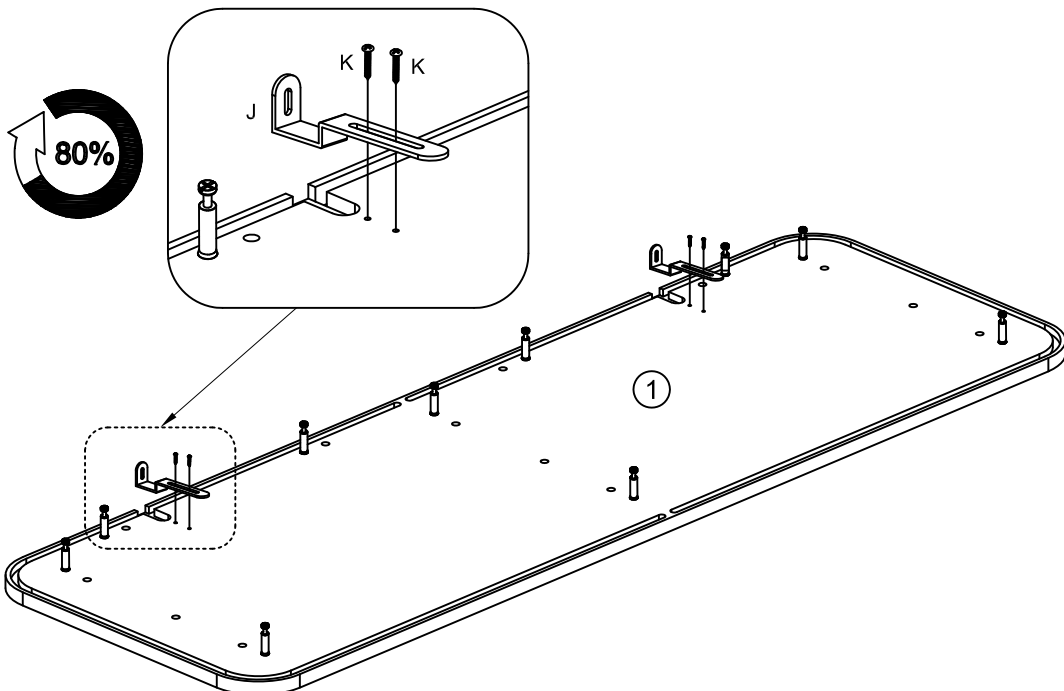
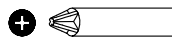
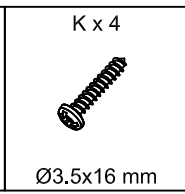
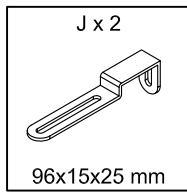
8



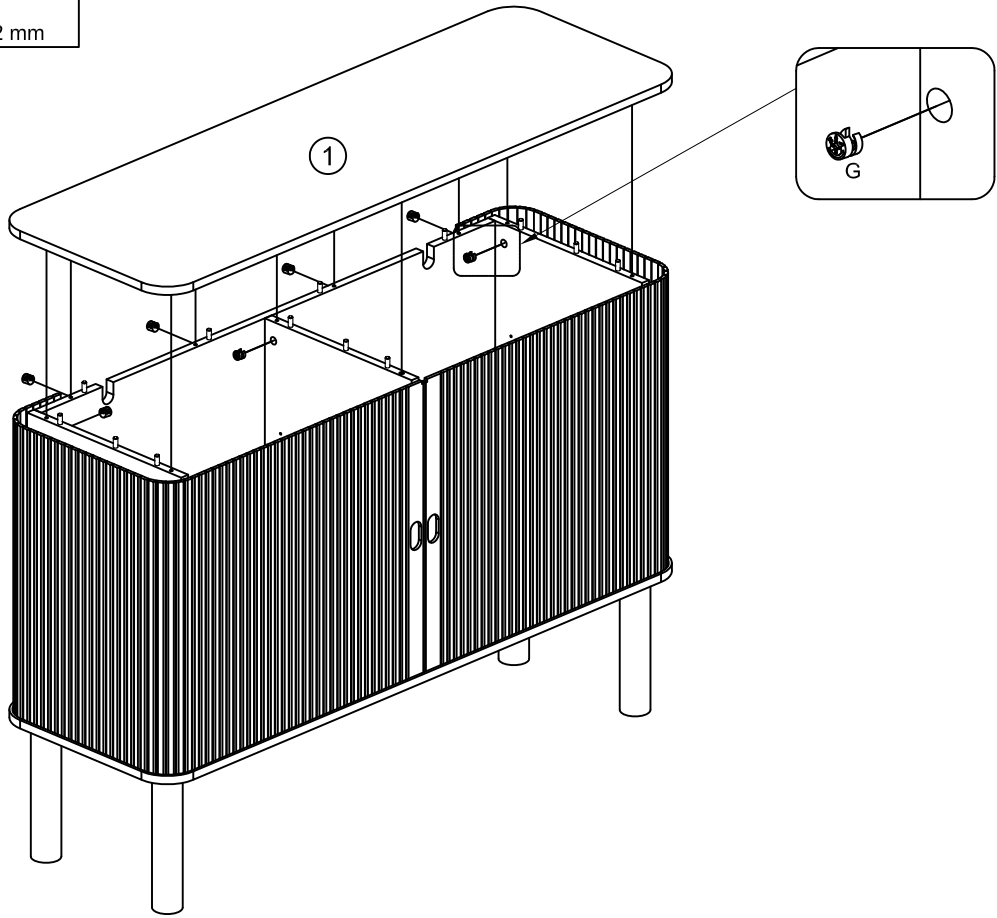
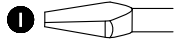
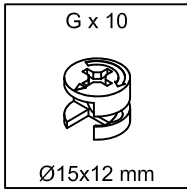
9



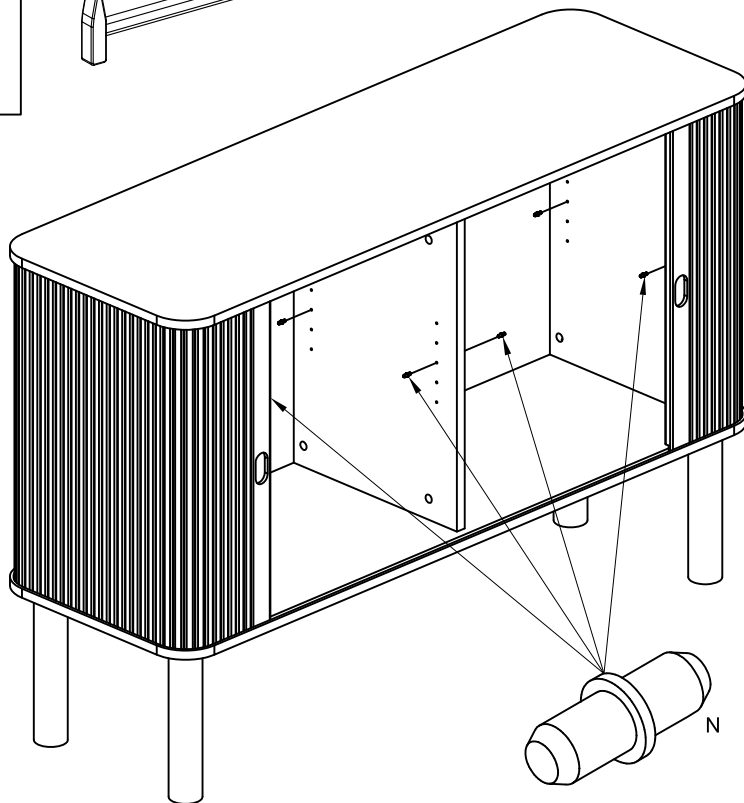
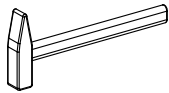
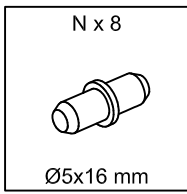
10



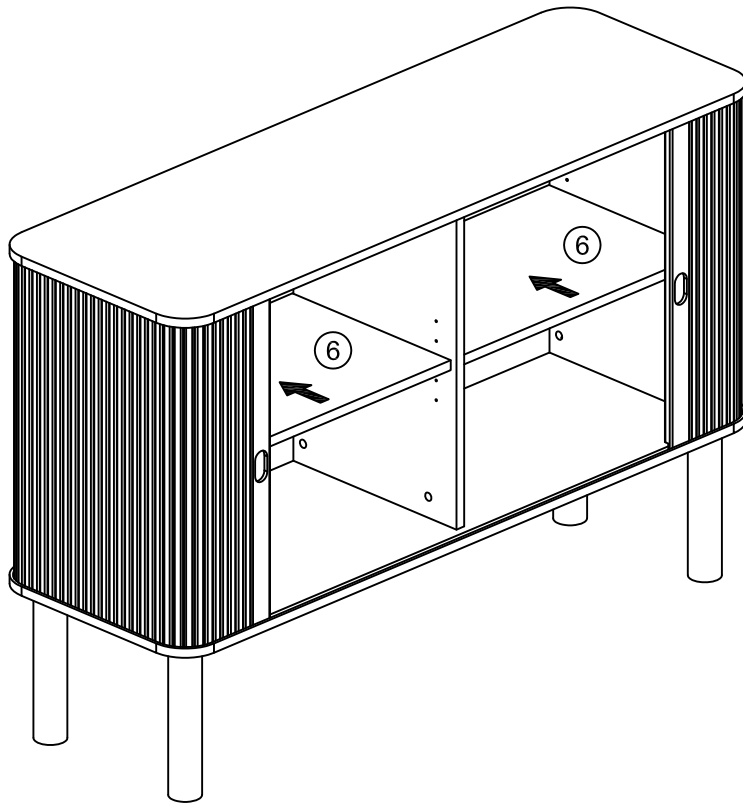
11



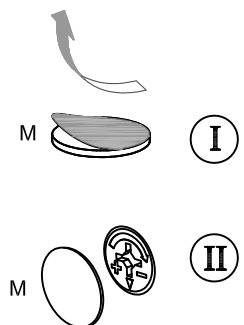
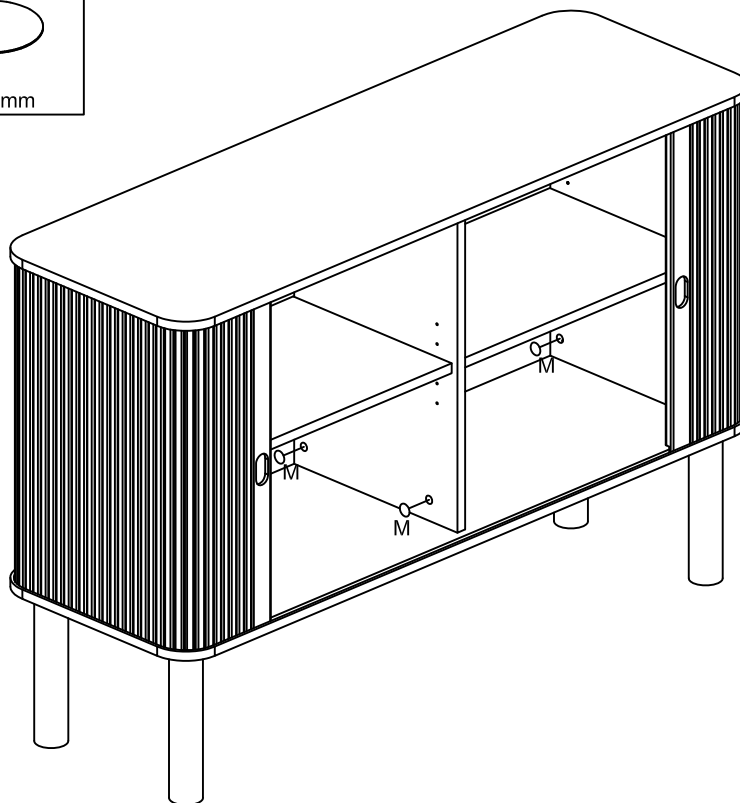
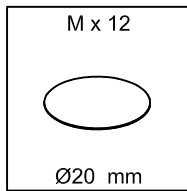
12



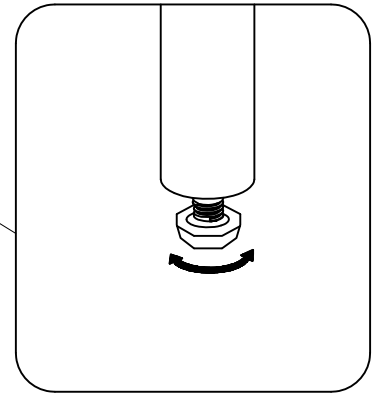
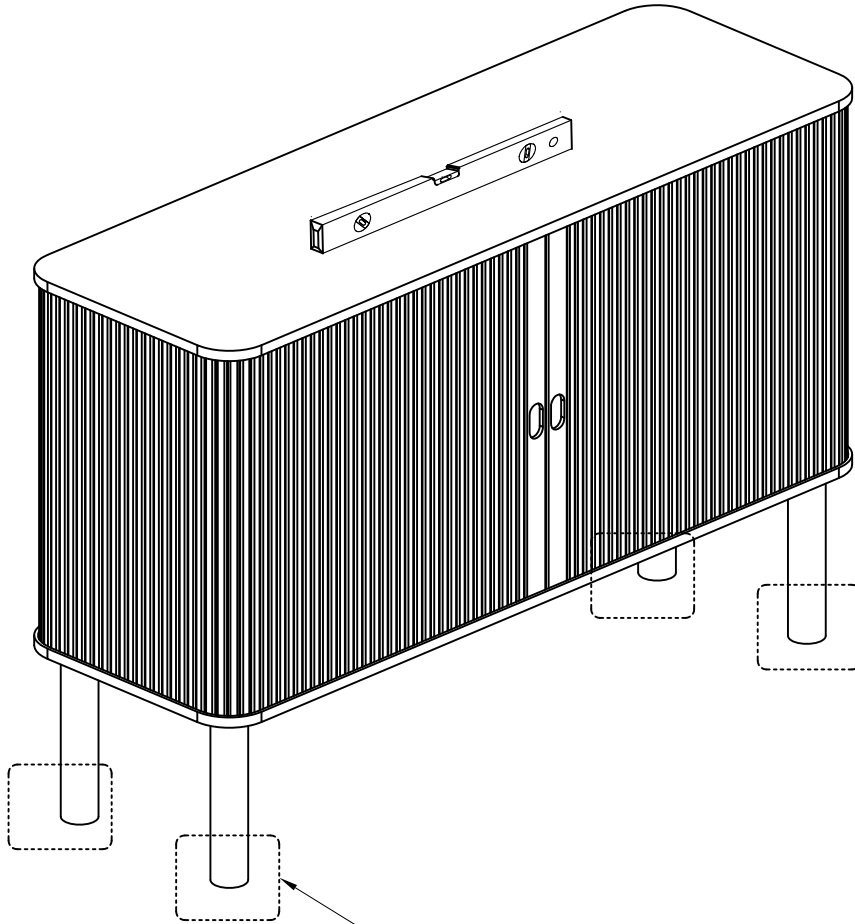
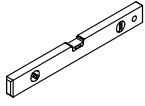
13



14



15



16

