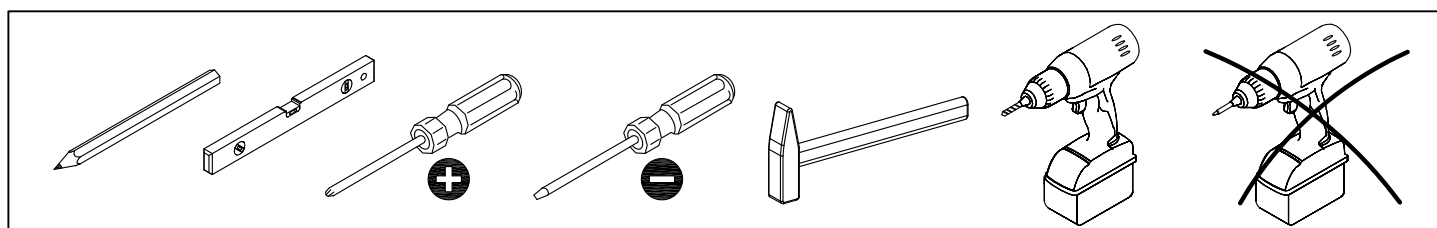
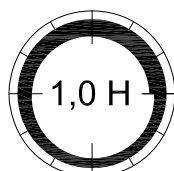
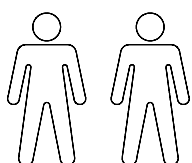
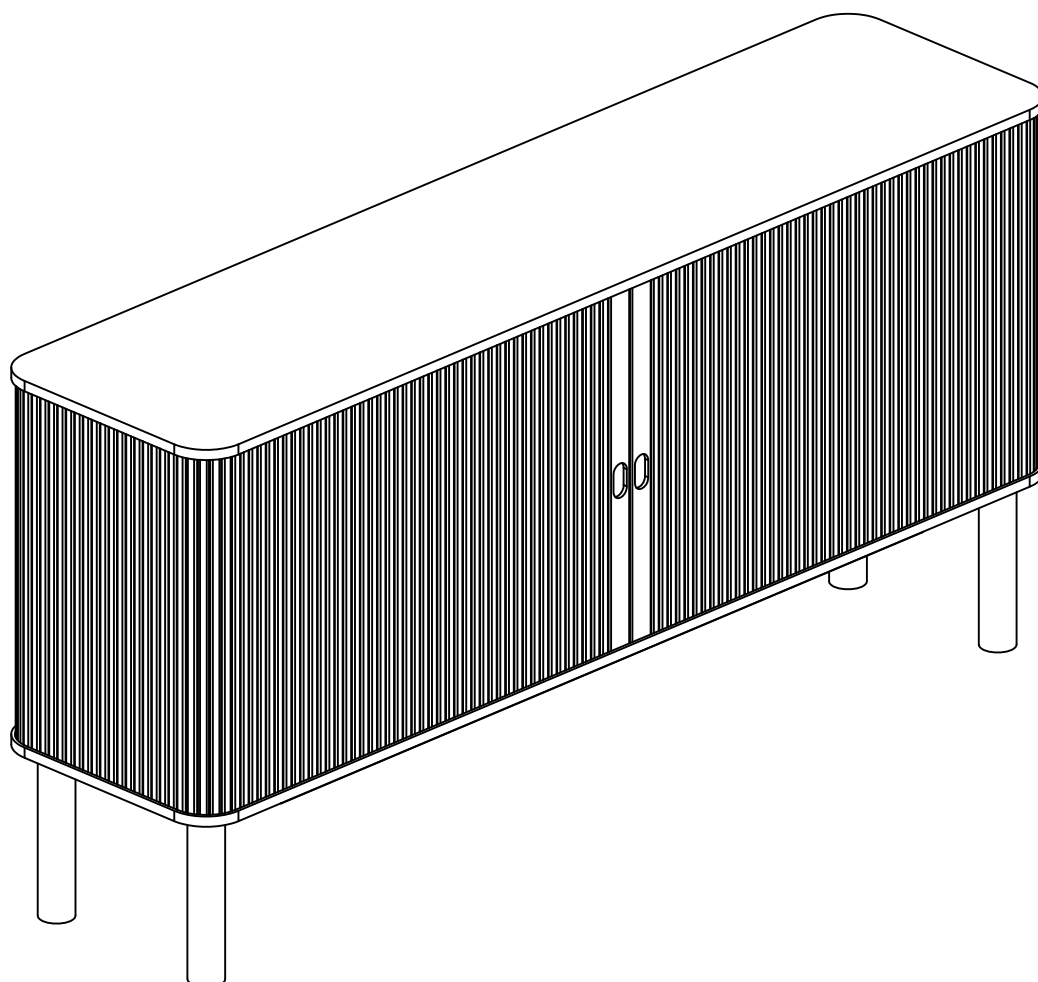
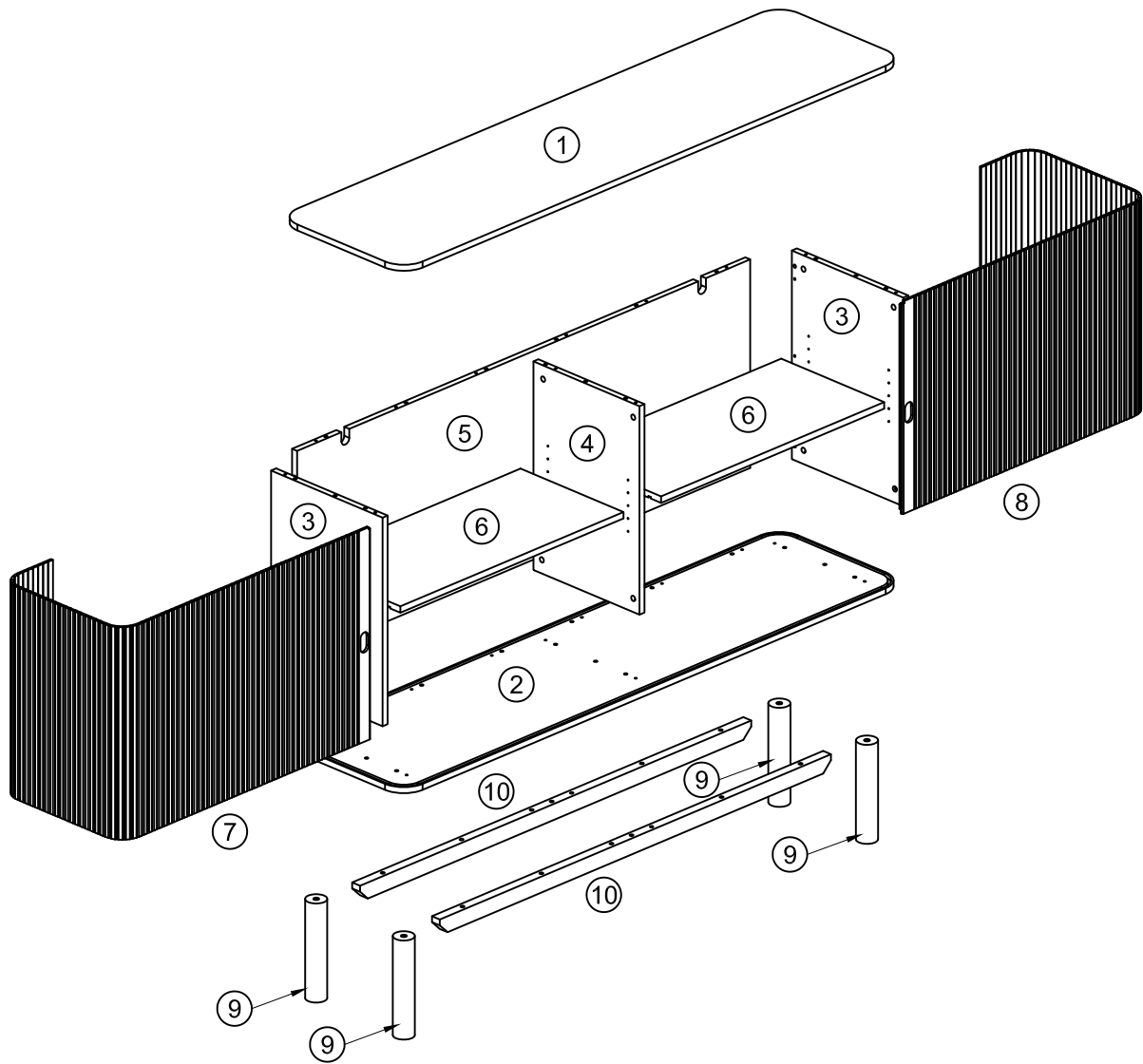



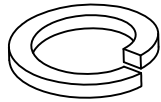
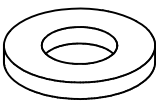

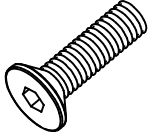

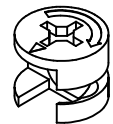
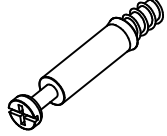
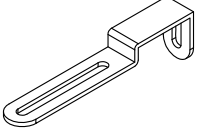
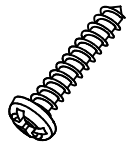
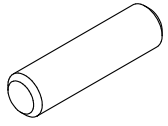

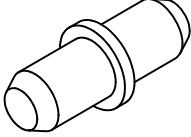
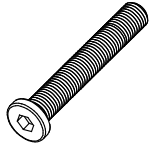
LANGLEY




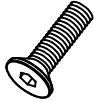

			✓
①	1	1600x400x15	
②	1	1600x400x15	
③	2	520x356x16	
④	1	520x339x16	
⑤	1	1448x520x16	

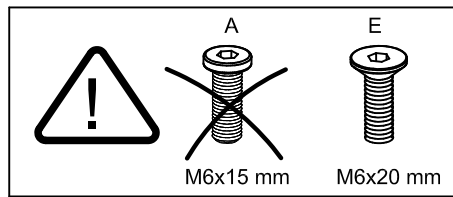
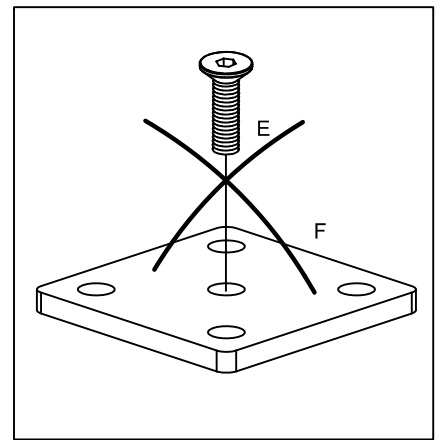
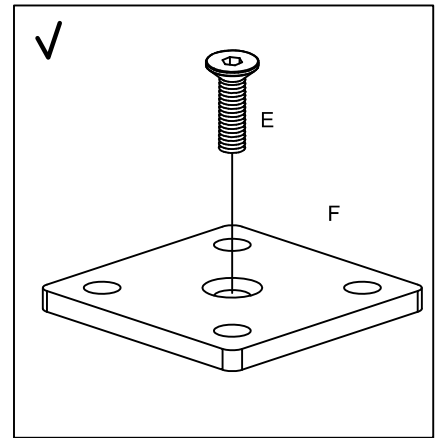
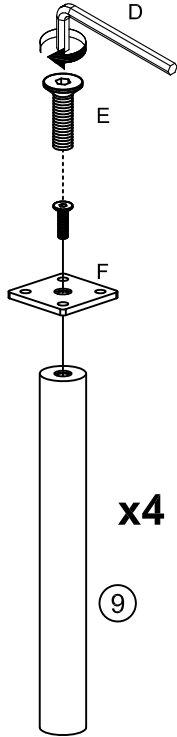
			✓
⑥	2	713x329x16	
⑦	1	1210x530x15	
⑧	1	1210x530x15	
⑨	4	247xØ50	
⑩	2	1250x40x25	




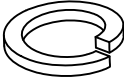

<p>A x 16</p>  <p>M6x15 mm</p>	<p>B x 26</p>  <p>Ø6 mm</p>	<p>C x 10</p>  <p>Ø6/Ø16 mm</p>	<p>D x 1</p>  <p>4 mm</p>	<p>E x 4</p>  <p>M6x20 mm</p>
<p>F x 4</p>  <p>75x75x3 mm</p>	<p>G x 30</p>  <p>Ø15x12 mm</p>	<p>H x 30</p>  <p>Ø6x43 mm</p>	<p>J x 2</p>  <p>96x15x25 mm</p>	<p>K x 4</p>  <p>Ø3.5x16 mm</p>
<p>L x 38</p>  <p>Ø8x30 mm</p>	<p>M x 12</p>  <p>Ø20 mm</p>	<p>N x 8</p>  <p>Ø5x16 mm</p>	<p>P x 10</p>  <p>M6x45 mm</p>	

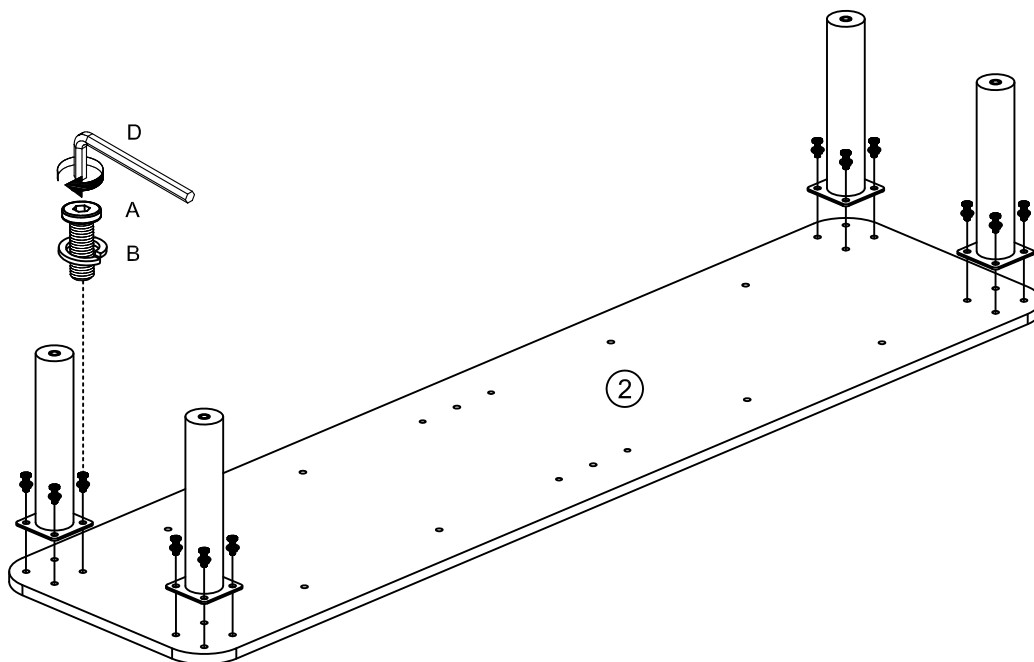
1

D x 1  4 mm	E x 4  M6x20 mm	F x 4  75x75x3 mm
--	--	--

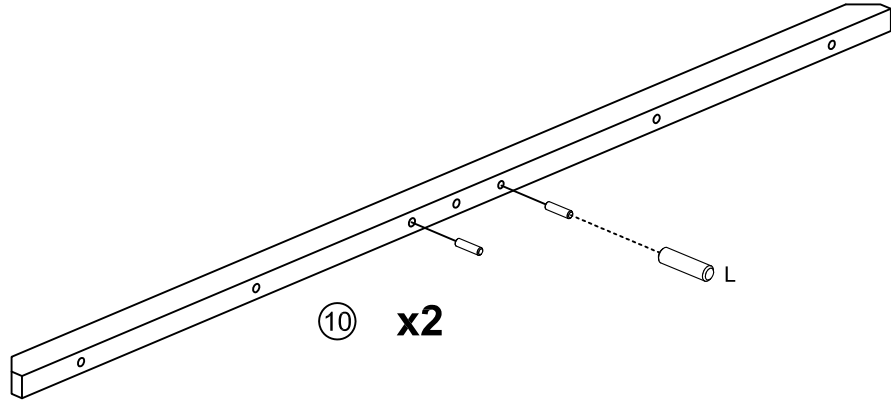
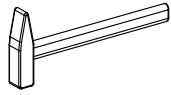
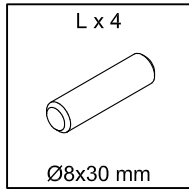


2

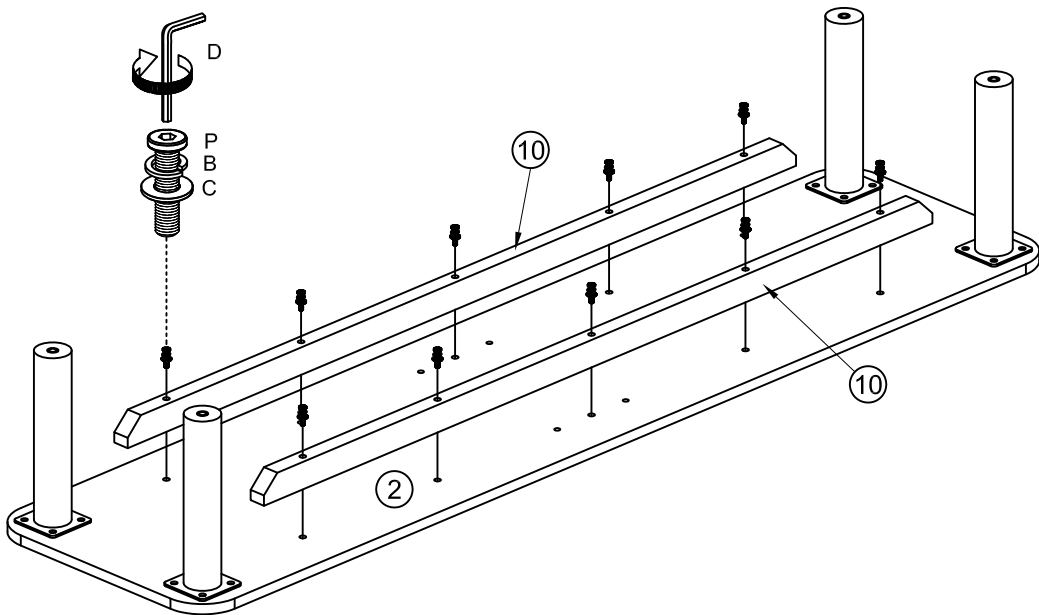
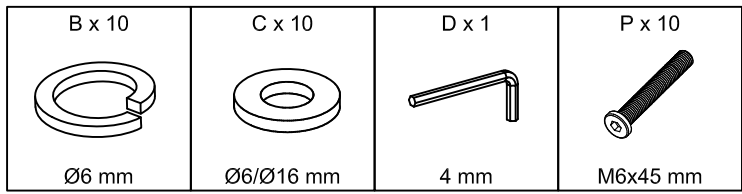
A x 16  M6x15 mm	B x 16  Ø6 mm	D x 1  4 mm
---	--	--



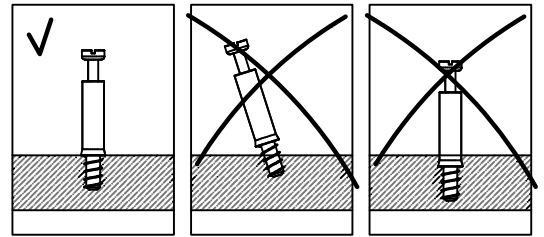
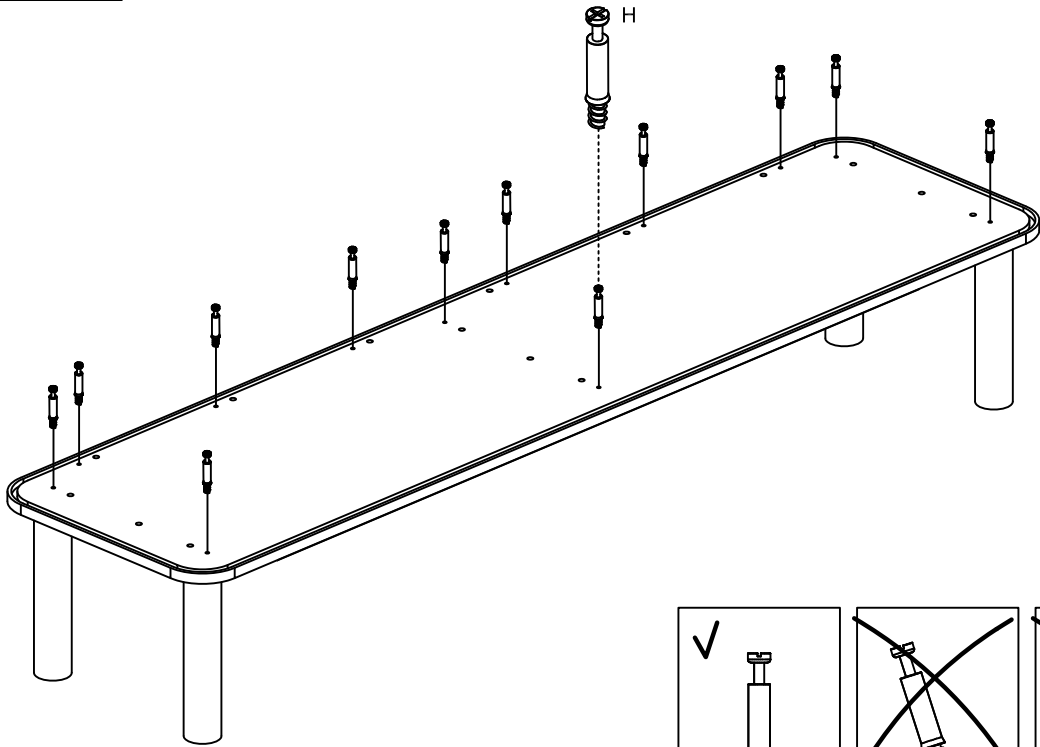
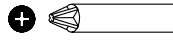
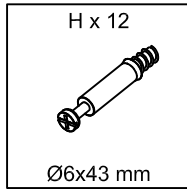
3



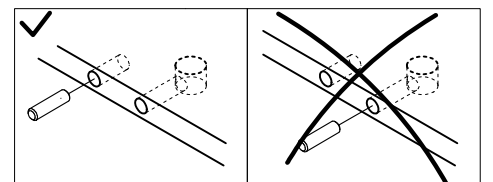
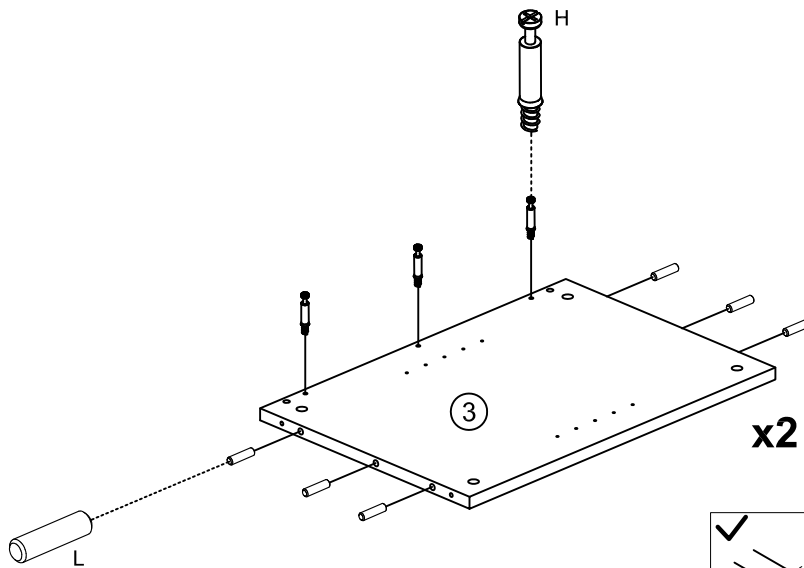
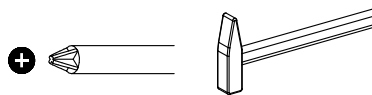
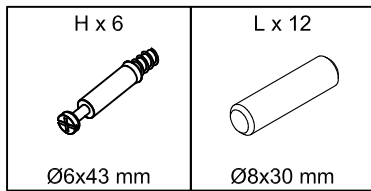
4



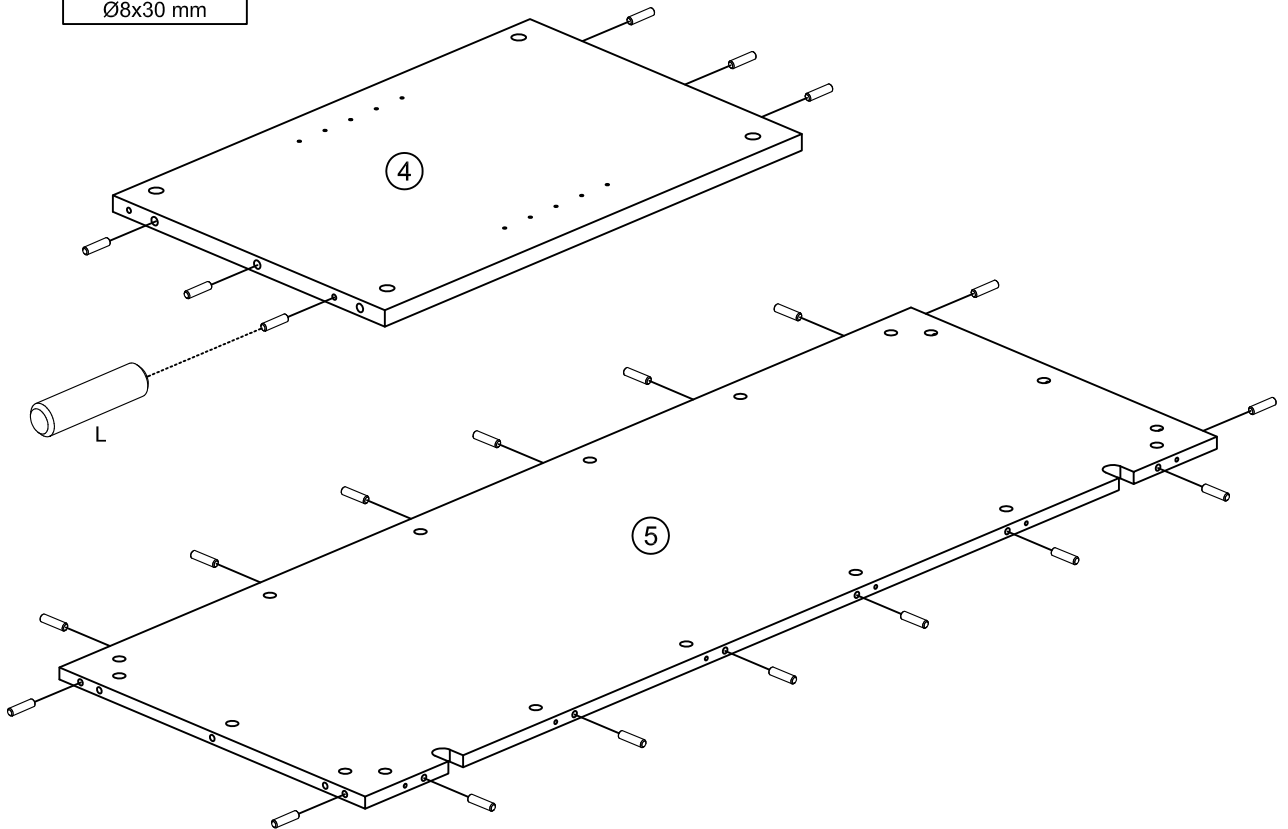
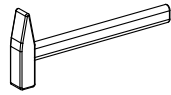
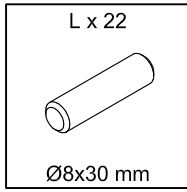
5



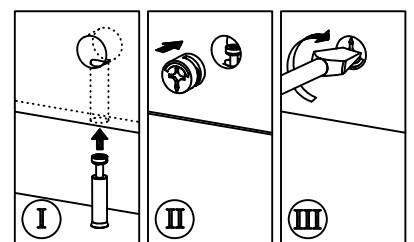
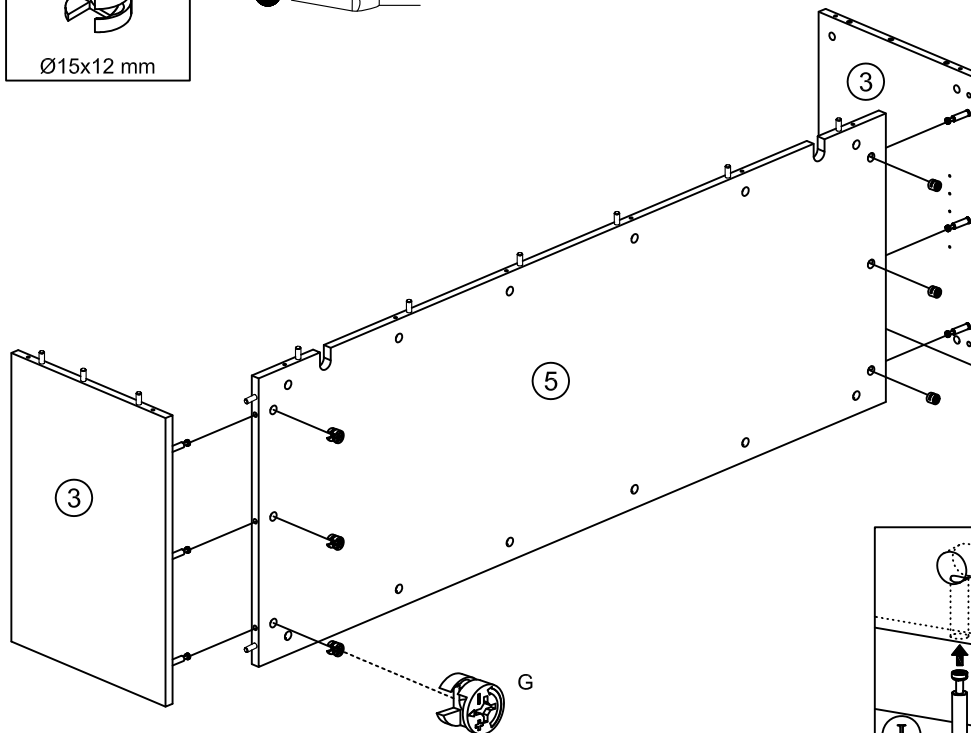
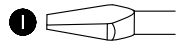
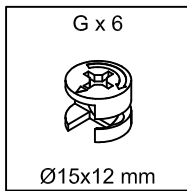
6



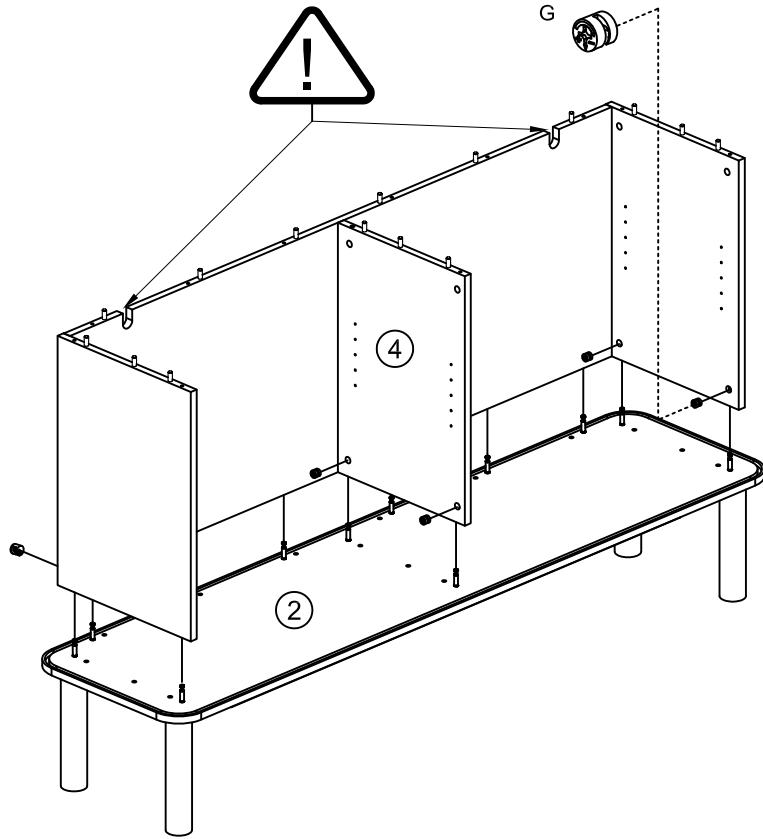
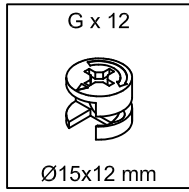
7



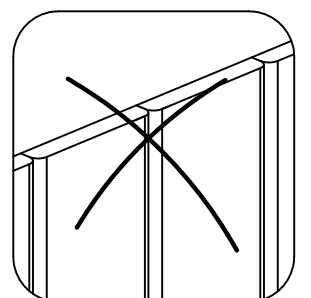
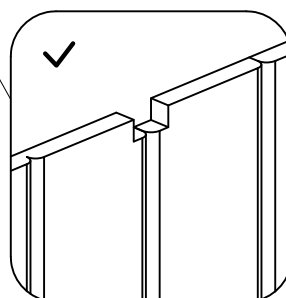
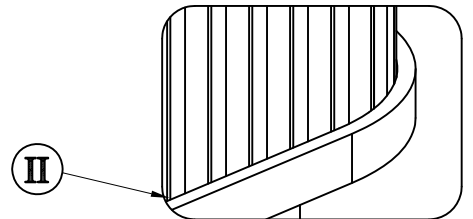
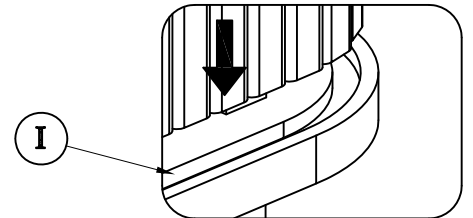
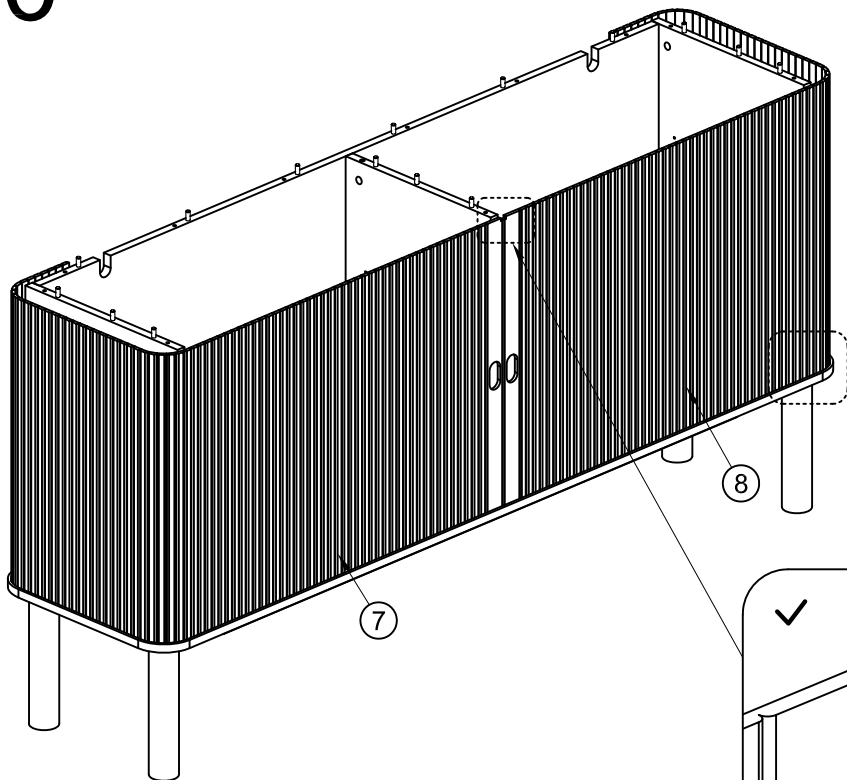
8



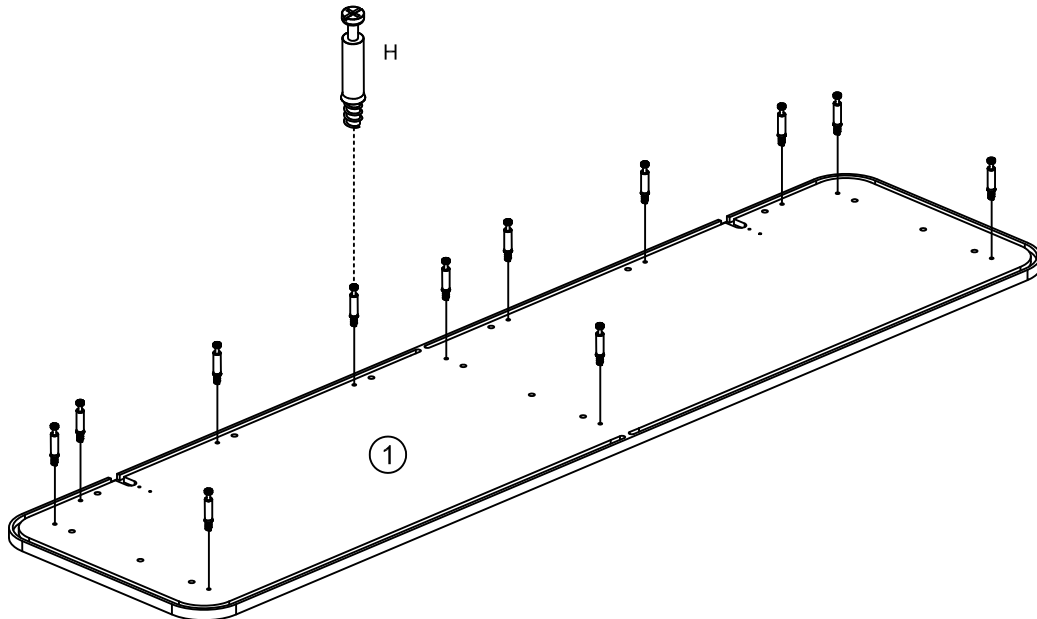
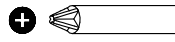
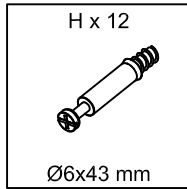
9



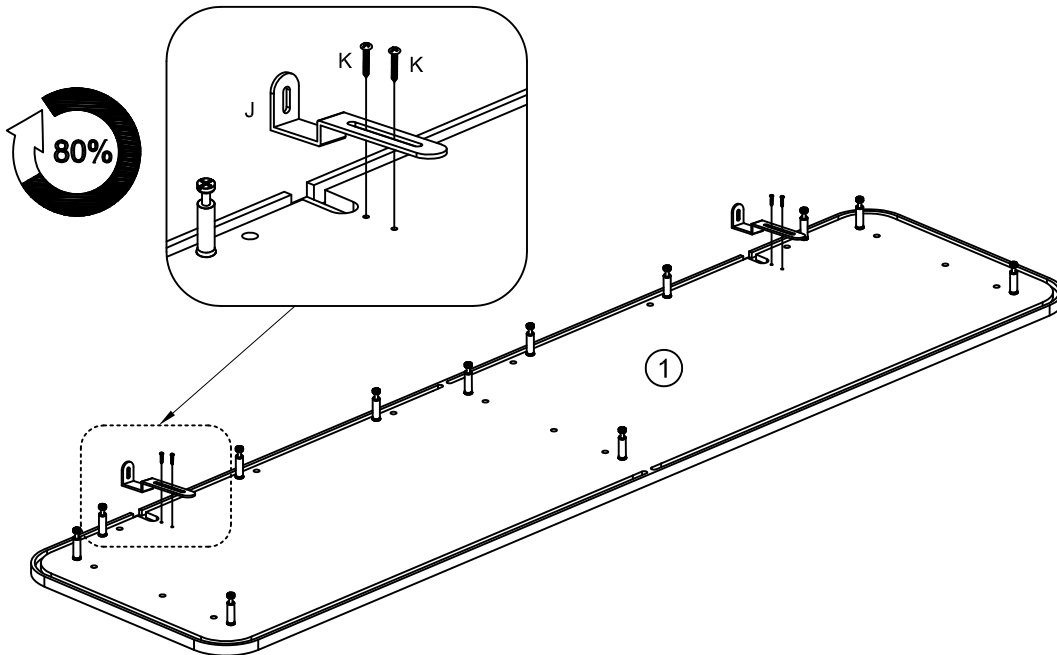
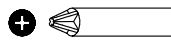
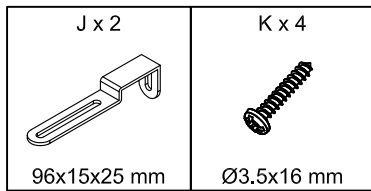
10



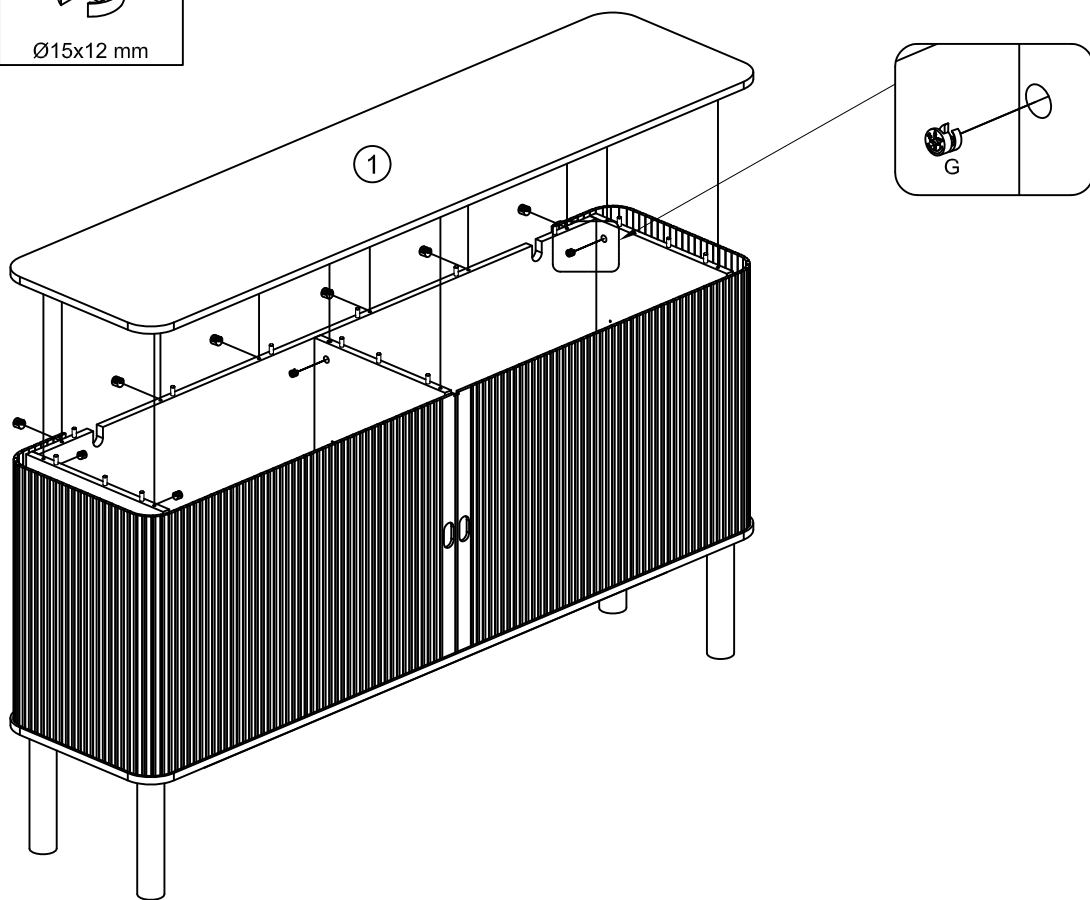
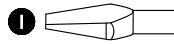
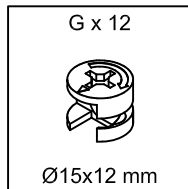
11



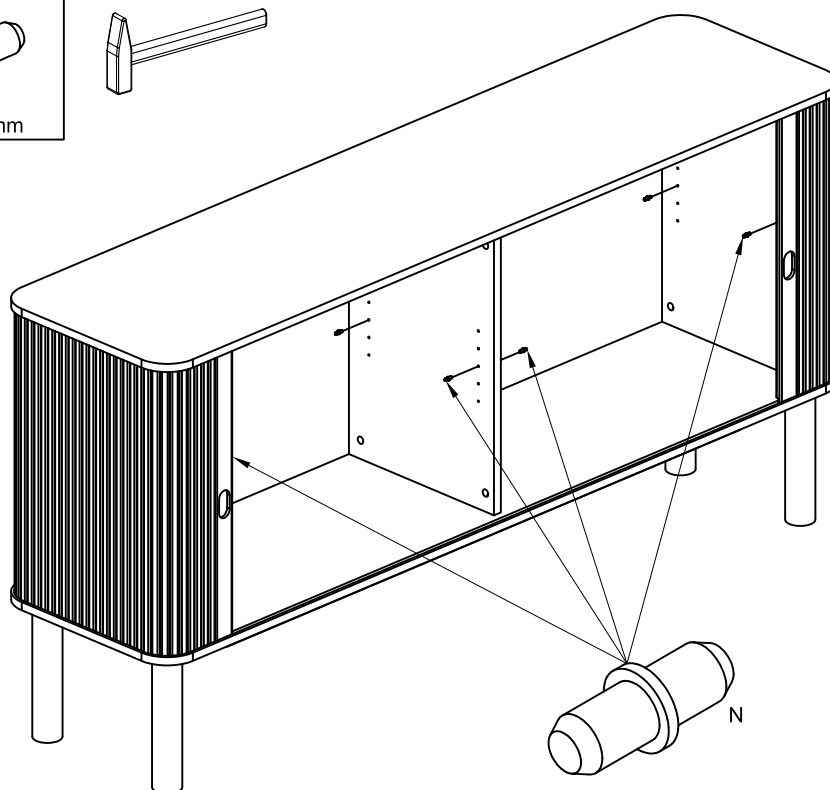
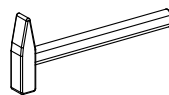
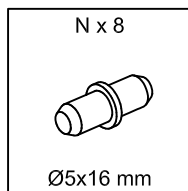
12



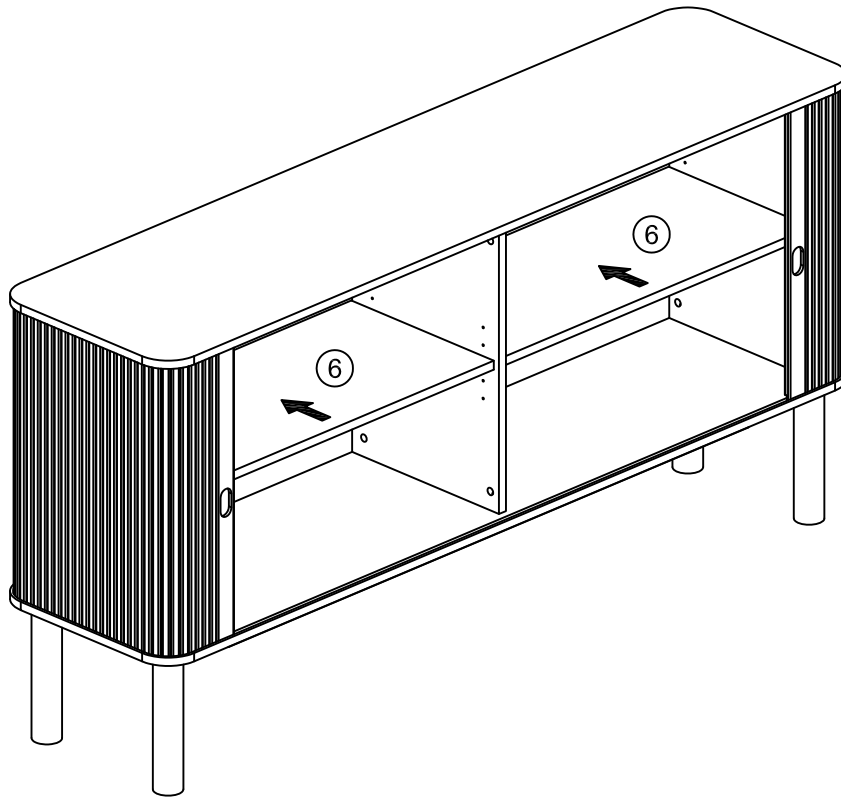
13



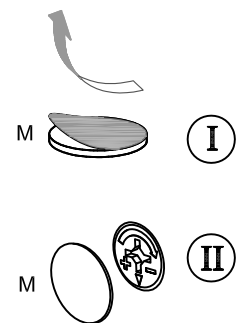
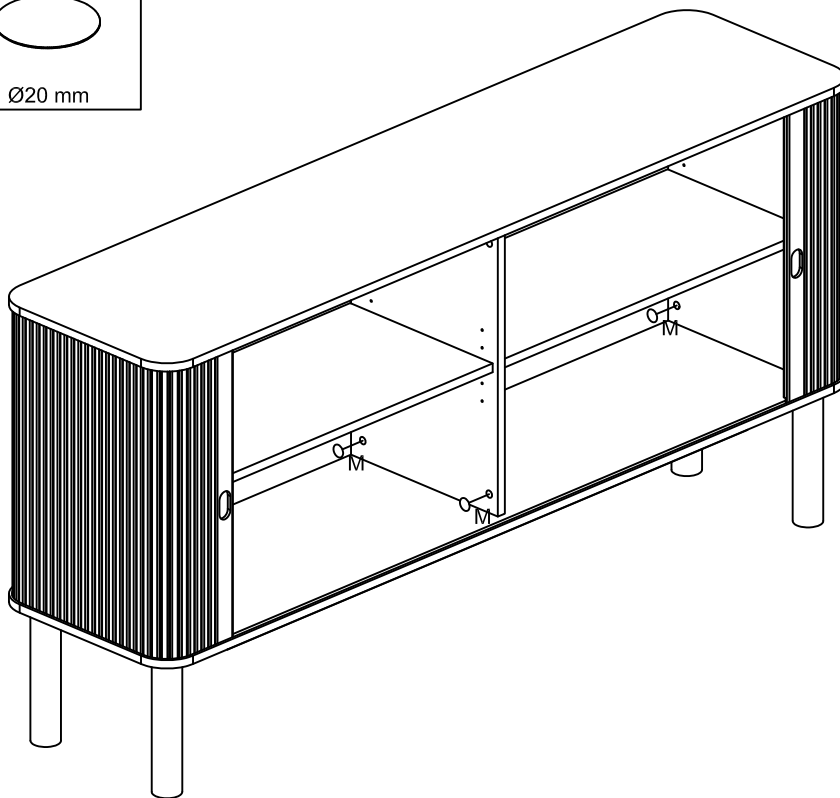
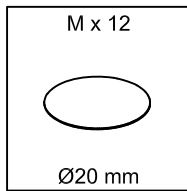
14



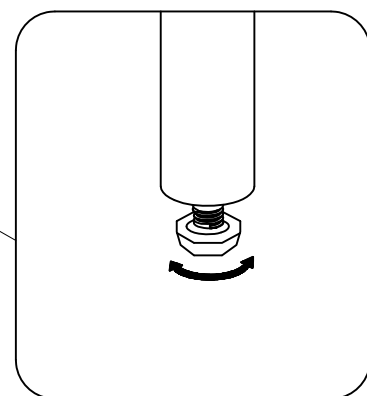
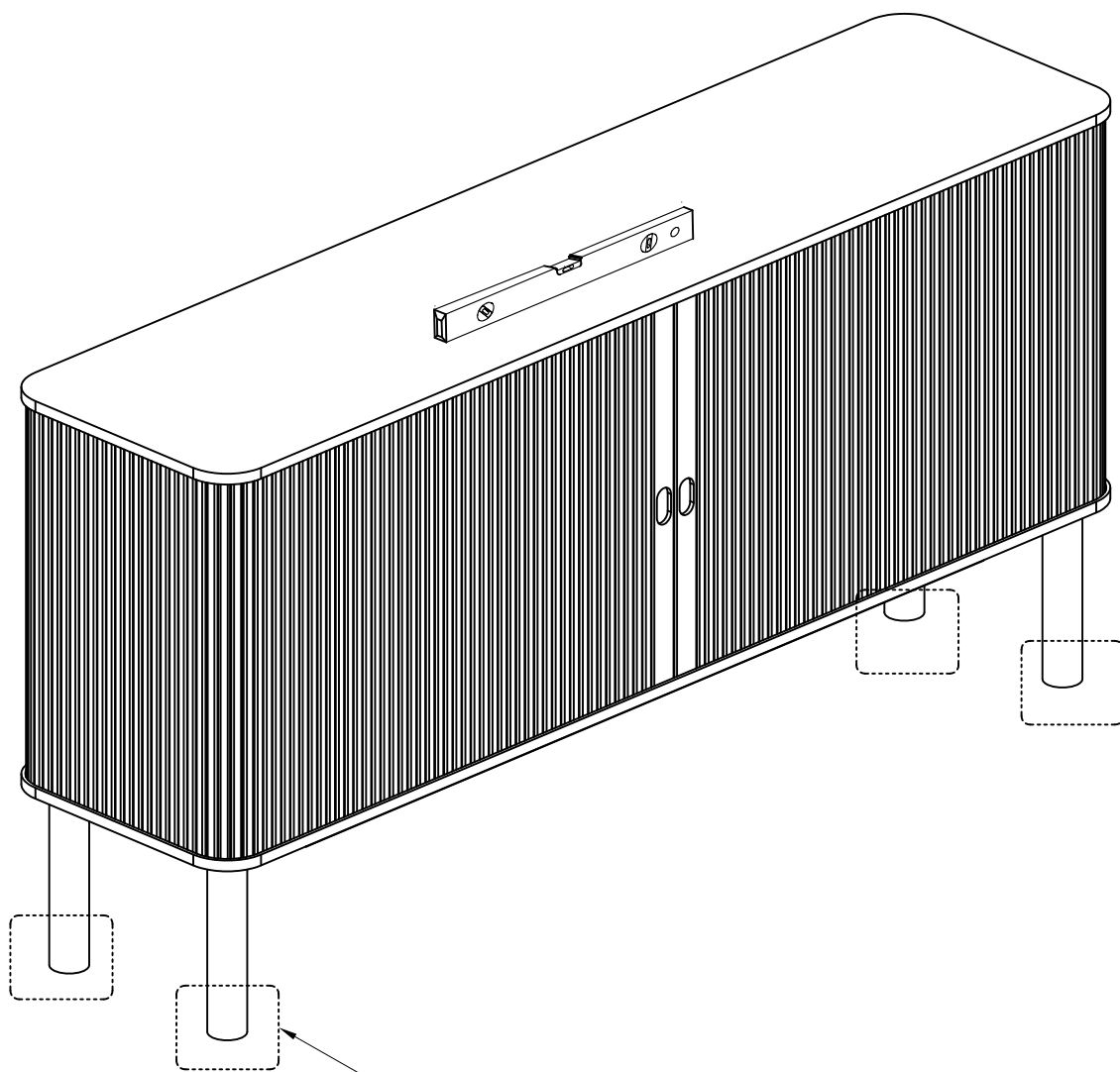
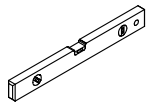
15



16



17



18

