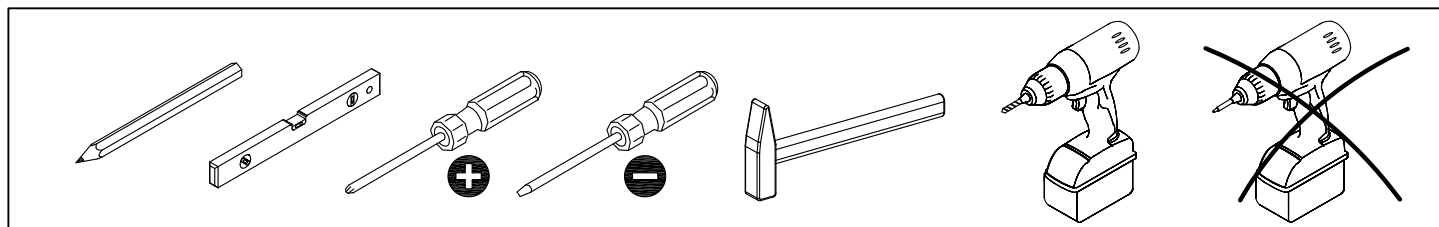
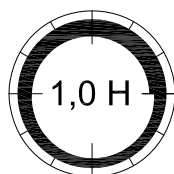
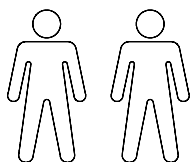
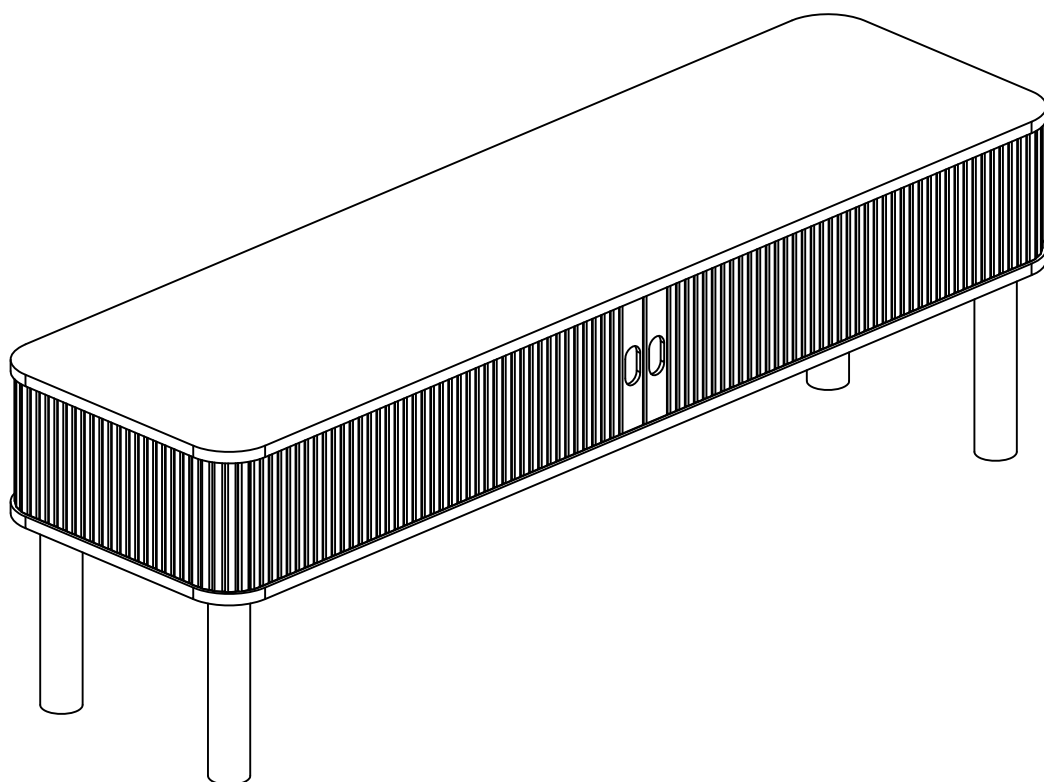
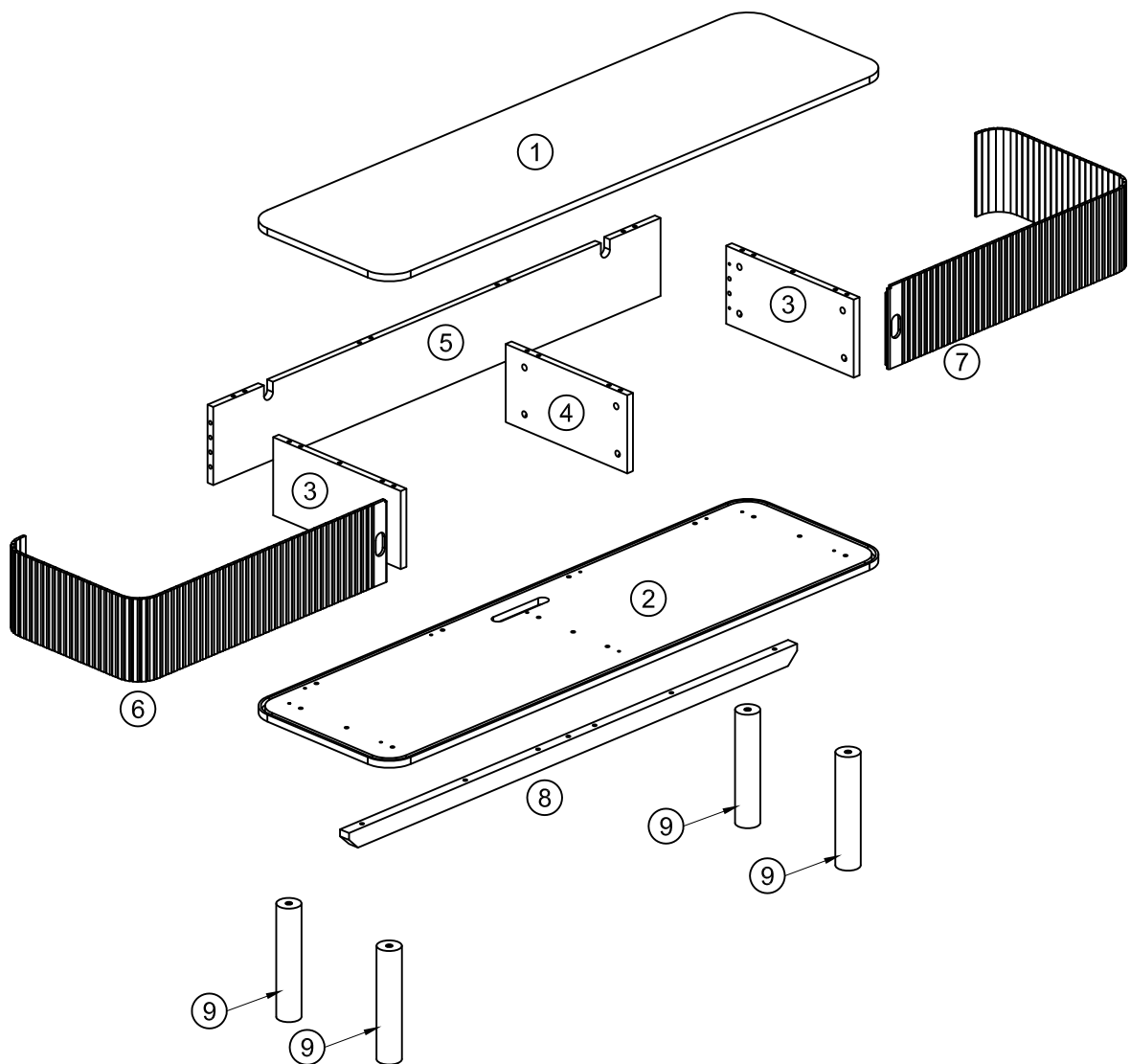


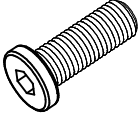
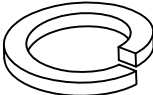


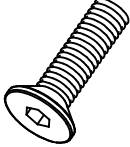

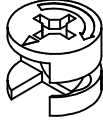
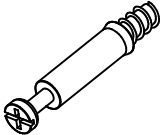
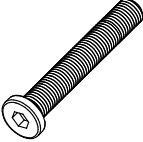
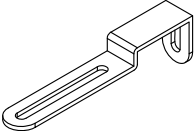
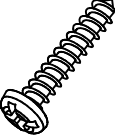
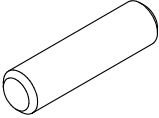

LANGLEY






			✓
①	1	1400x400x15	
②	1	1400x400x15	
③	2	170x356x16	
④	1	170x339x16	
⑤	1	1248x170x16	

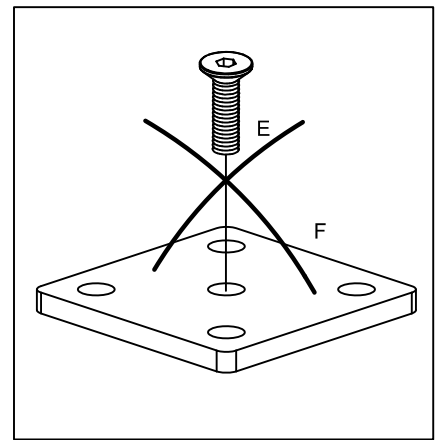
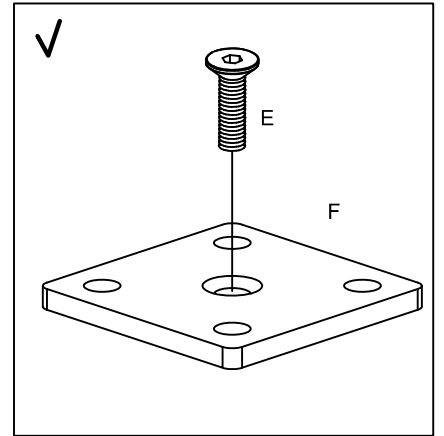
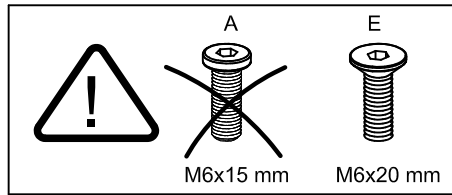
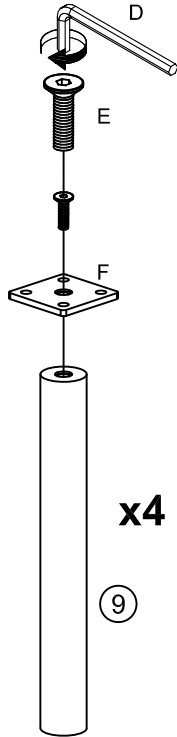
			✓
⑥	1	1090x180x15	
⑦	1	1090x180x15	
⑧	1	1250x40x25	
⑨	4	247 x Ø50	






<p>A x 16</p>  <p>M6x15 mm</p>	<p>B x 21</p>  <p>Ø6 mm</p>	<p>C x 5</p>  <p>Ø6/Ø16 mm</p>	<p>D x 1</p>  <p>4 mm</p>	<p>E x 4</p>  <p>M6x20 mm</p>
<p>F x 4</p>  <p>75x75x3 mm</p>	<p>G x 24</p>  <p>Ø15x12 mm</p>	<p>H x 24</p>  <p>Ø6x43 mm</p>	<p>J x 5</p>  <p>M6x45 mm</p>	<p>K x 2</p>  <p>96x25x15 mm</p>
<p>L x 4</p>  <p>Ø3.5x16 mm</p>	<p>N x 32</p>  <p>Ø8x30 mm</p>	<p>P x 12</p>  <p>Ø20 mm</p>		

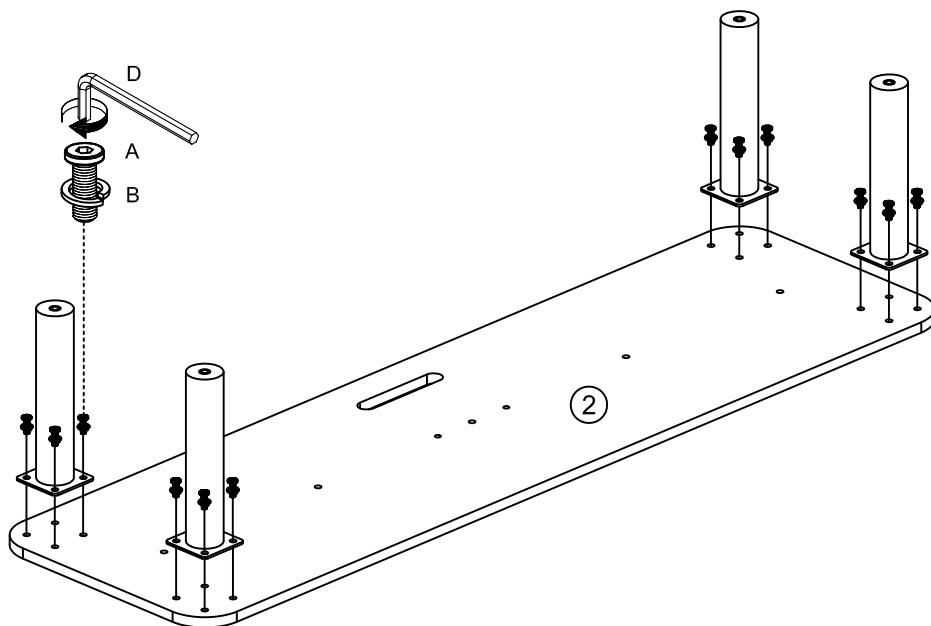
1

D x 1  4 mm	E x 4  M6x20 mm	F x 4  75x75x3 mm
--	--	--

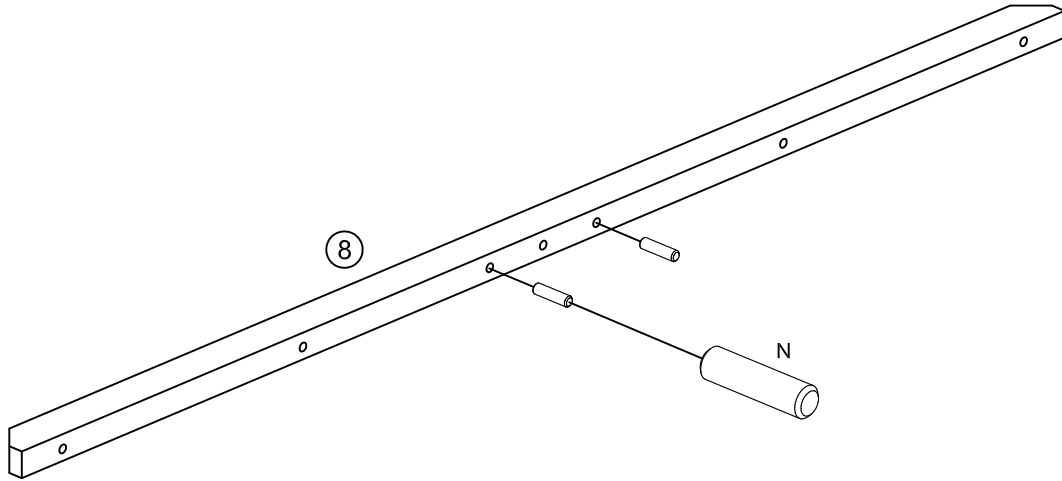
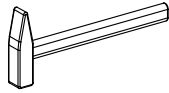
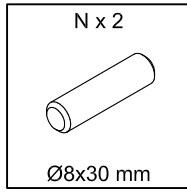


2

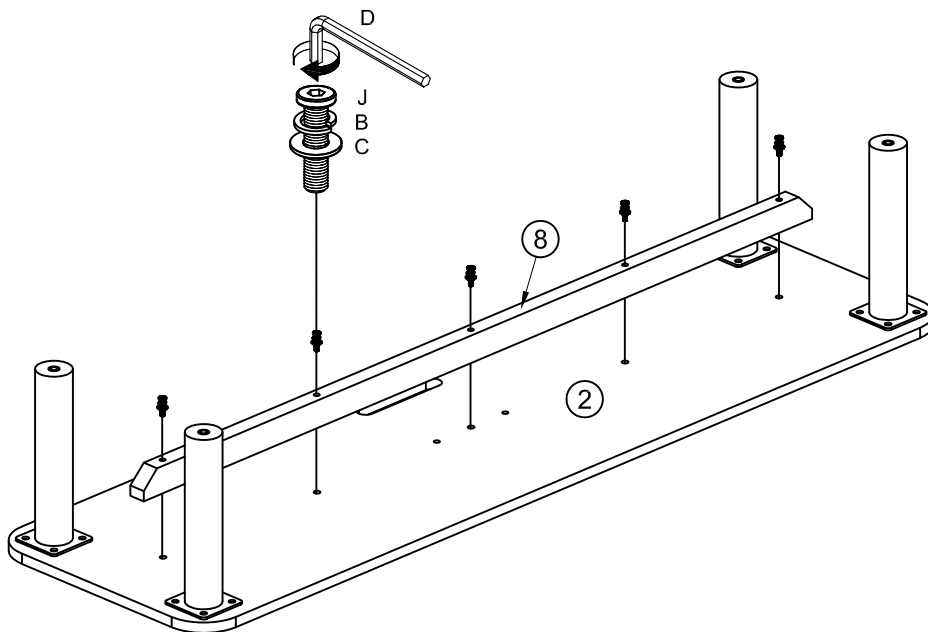
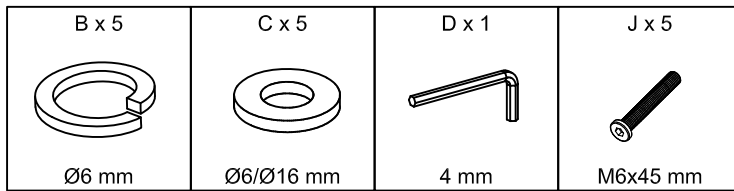
A x 16  M6x15 mm	B x 16  Ø6 mm	D x 1  4 mm
---	--	--



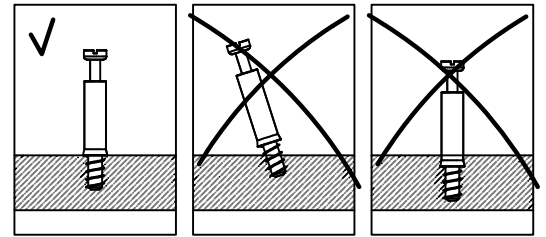
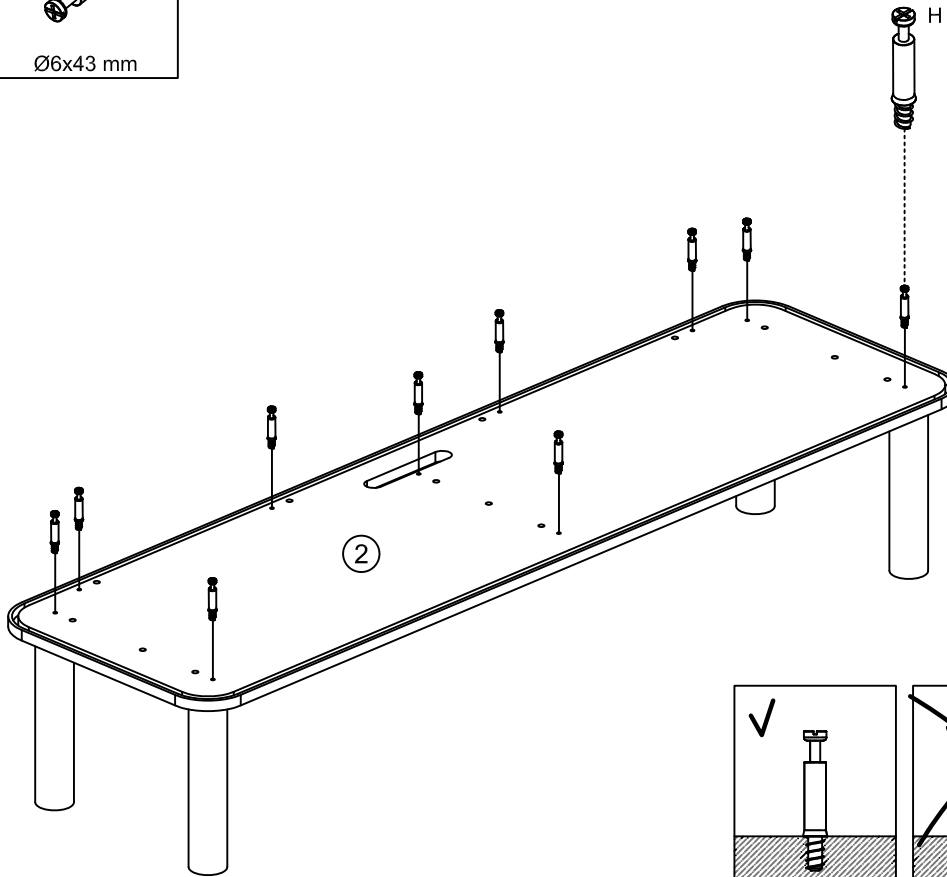
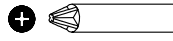
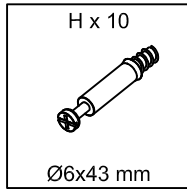
3



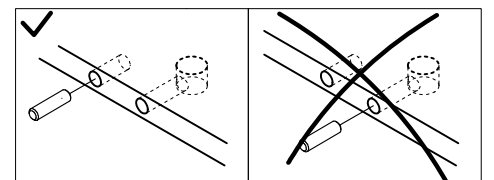
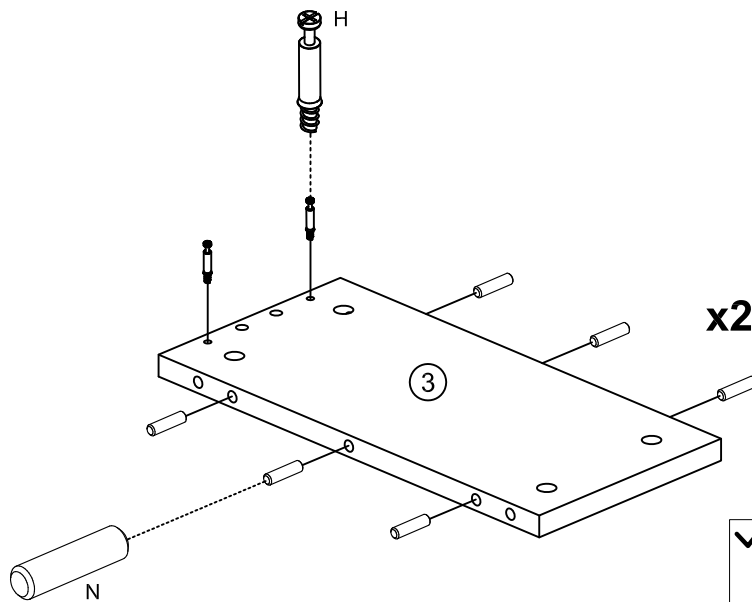
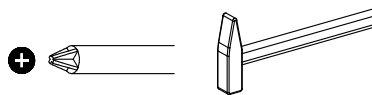
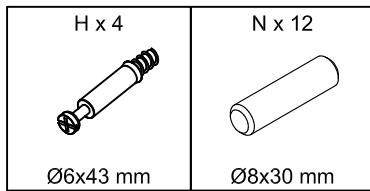
4



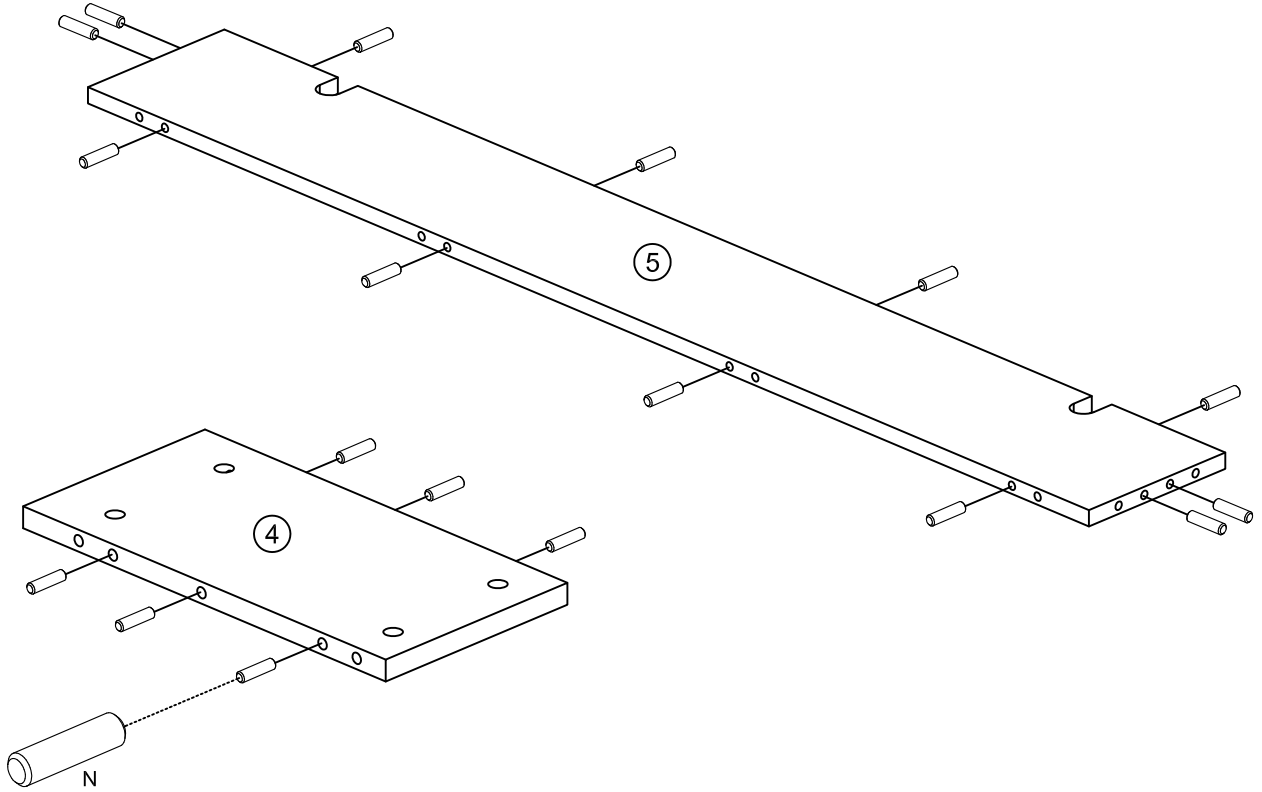
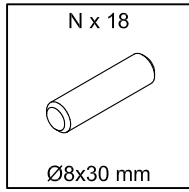
5



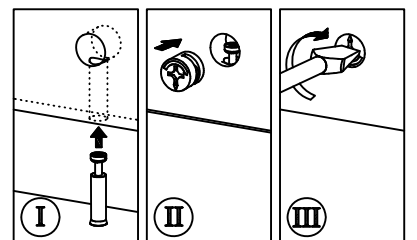
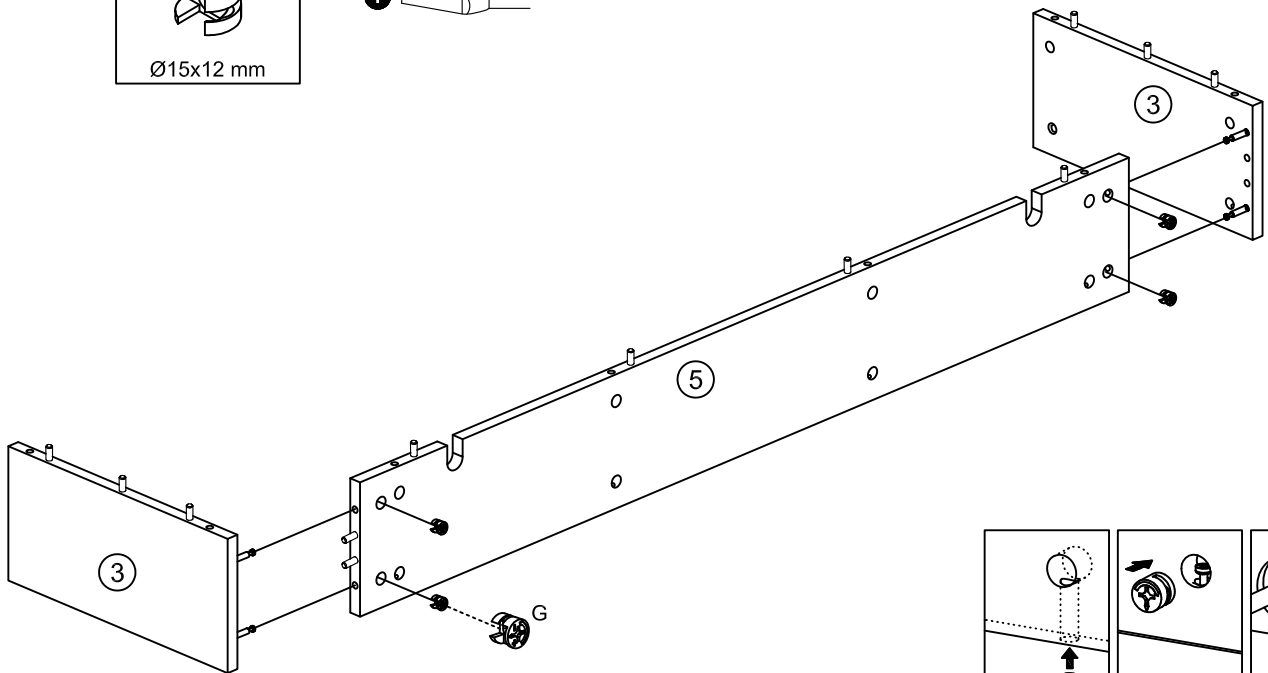
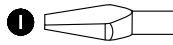
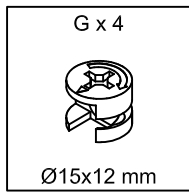
6



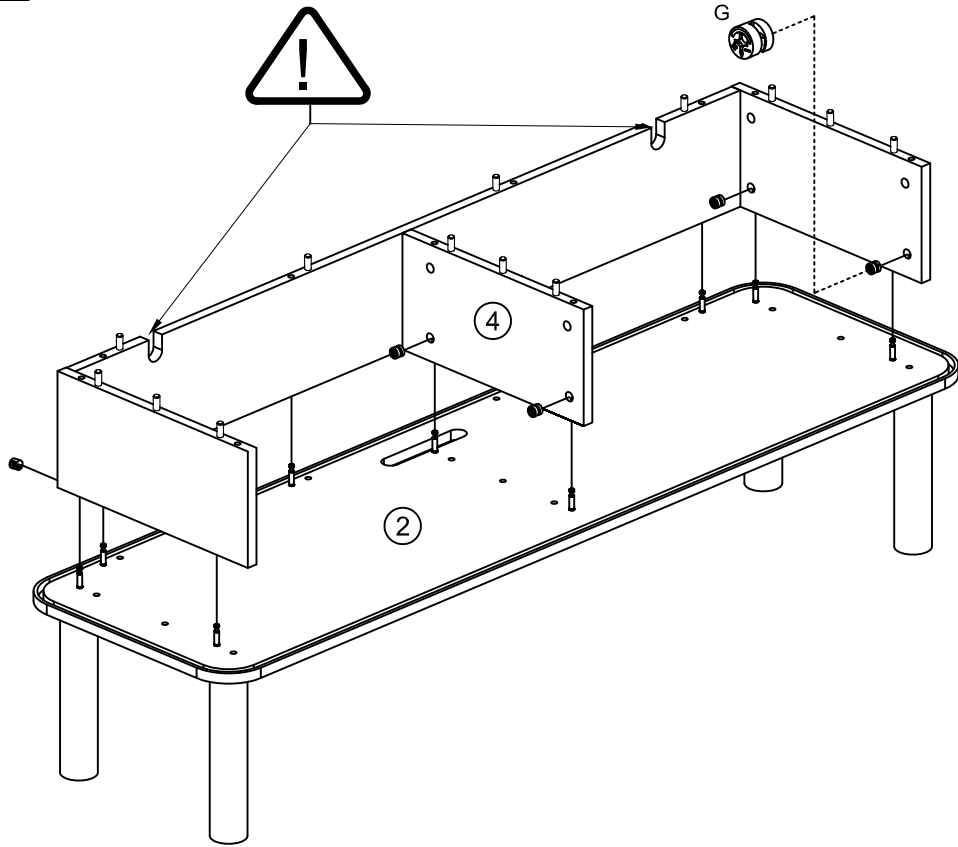
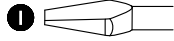
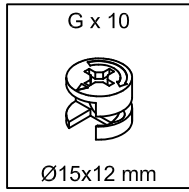
7



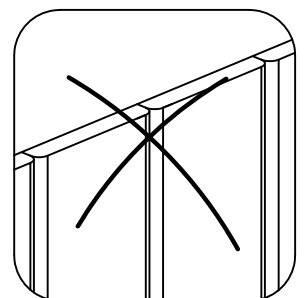
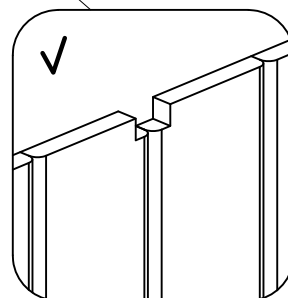
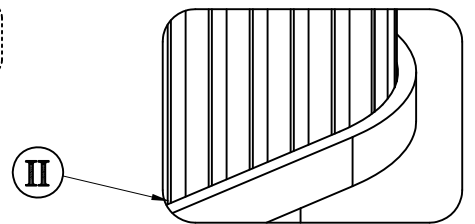
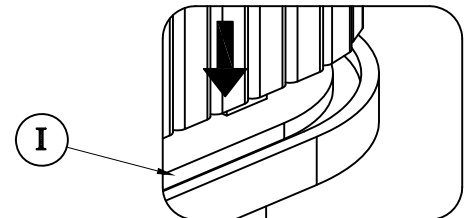
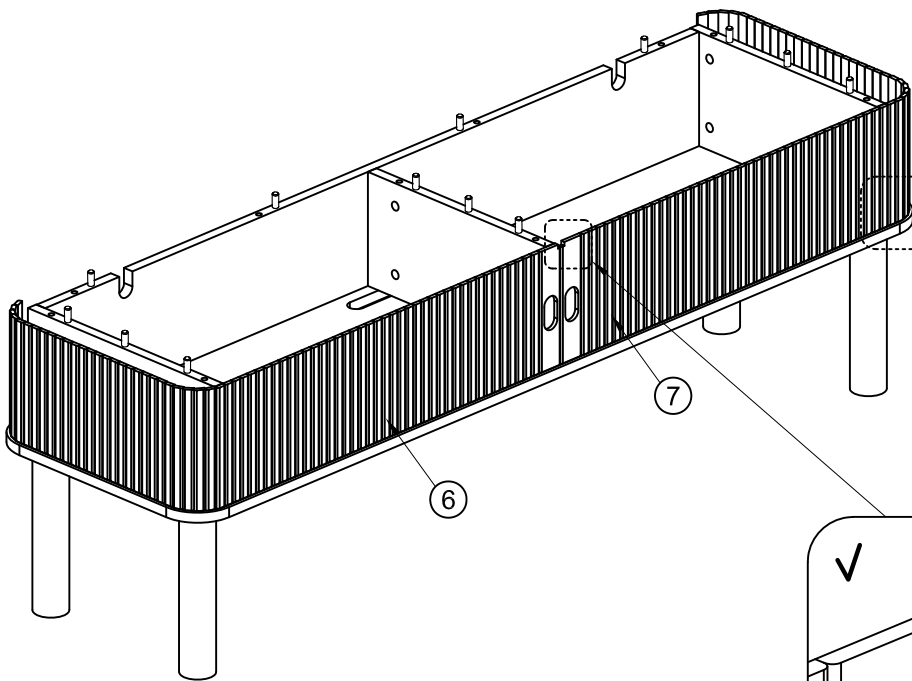
8



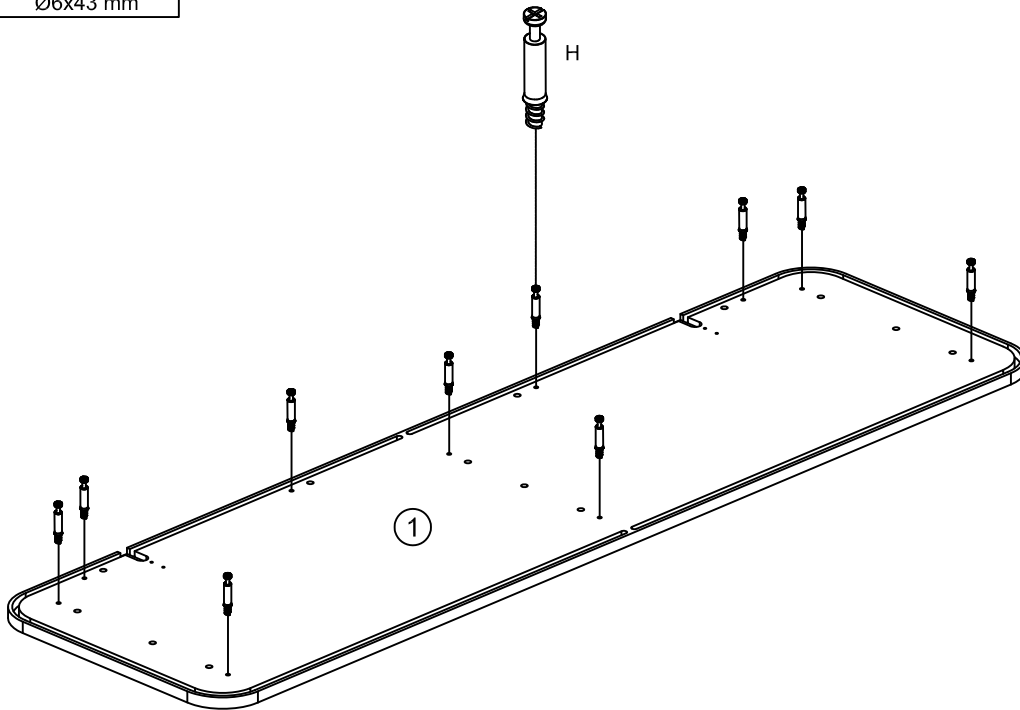
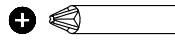
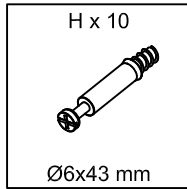
9



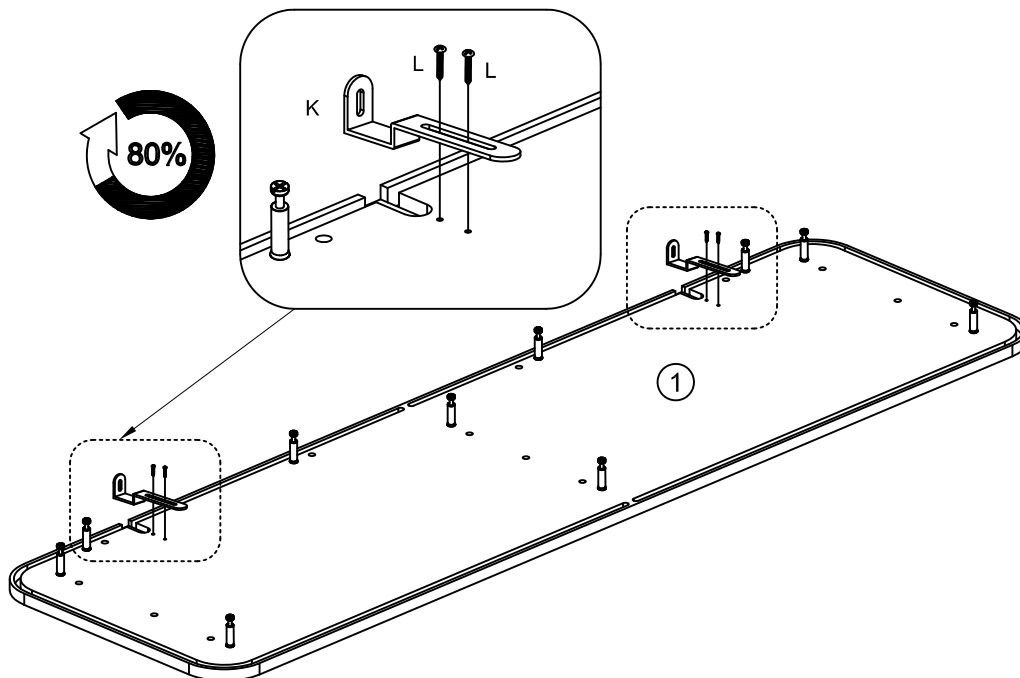
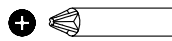
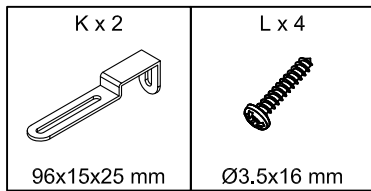
10



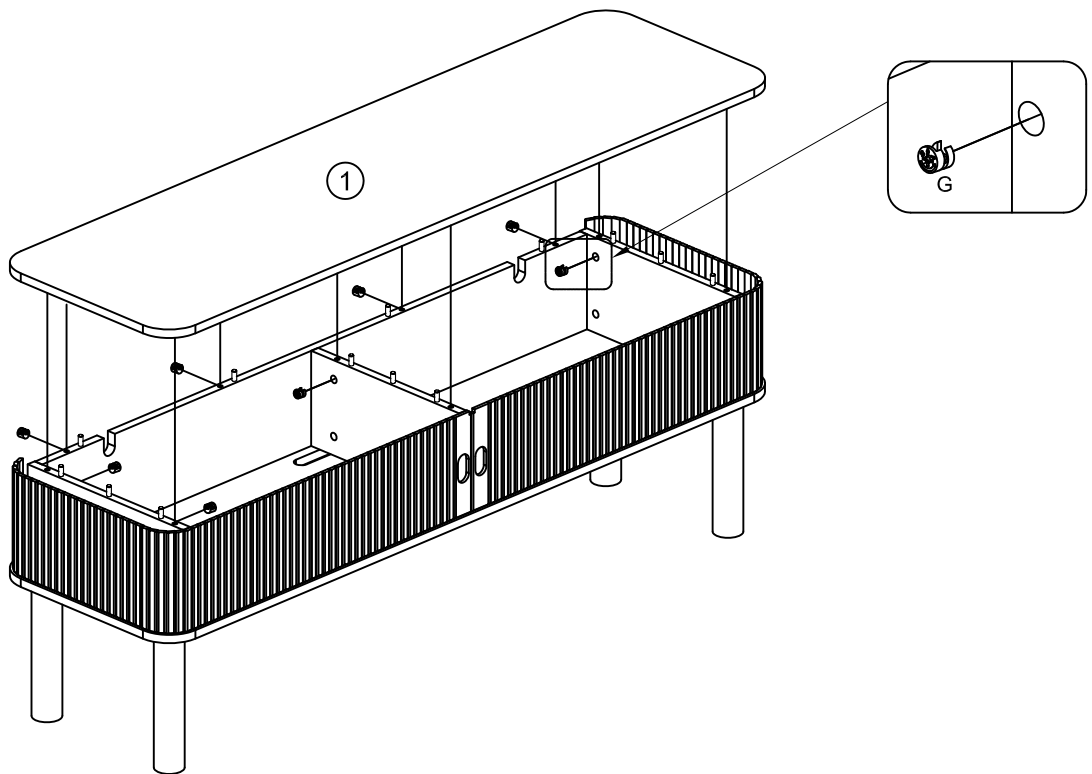
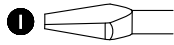
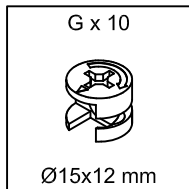
11



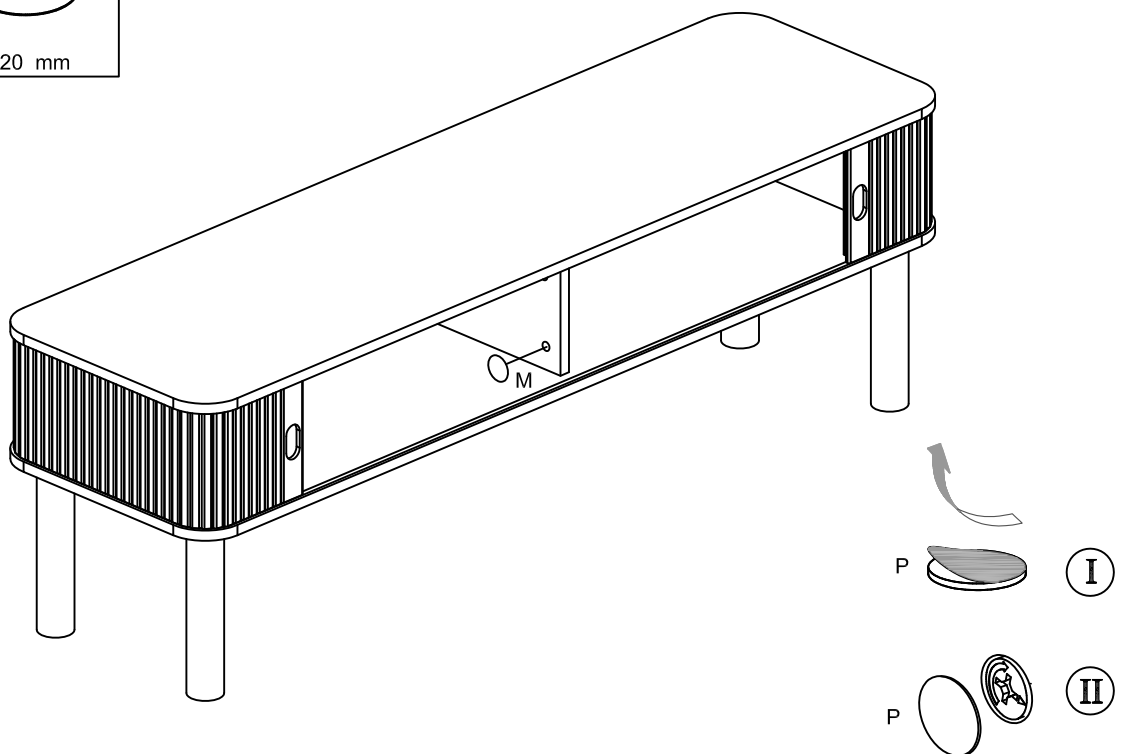
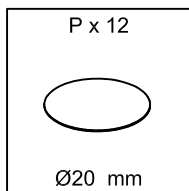
12



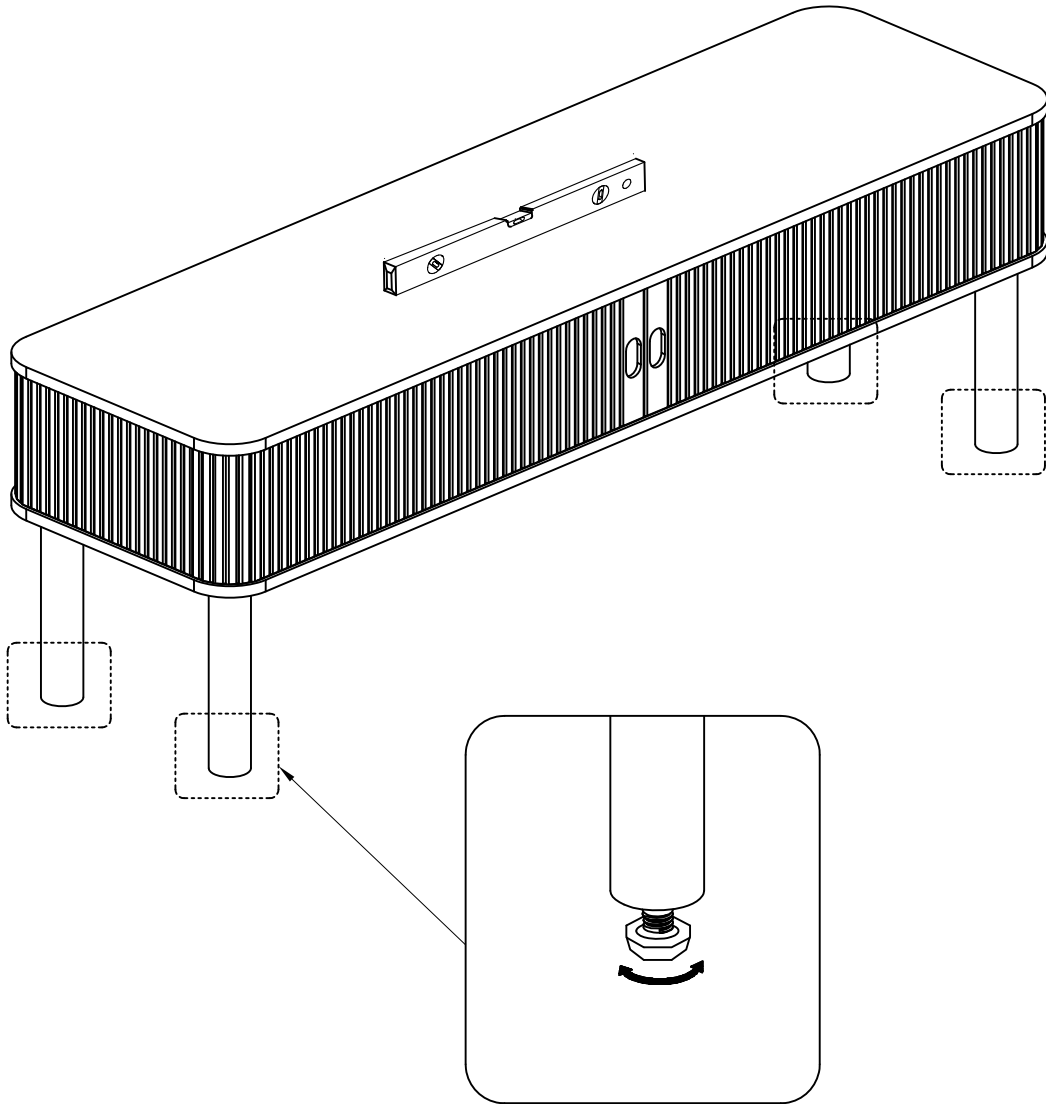
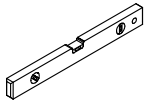
13



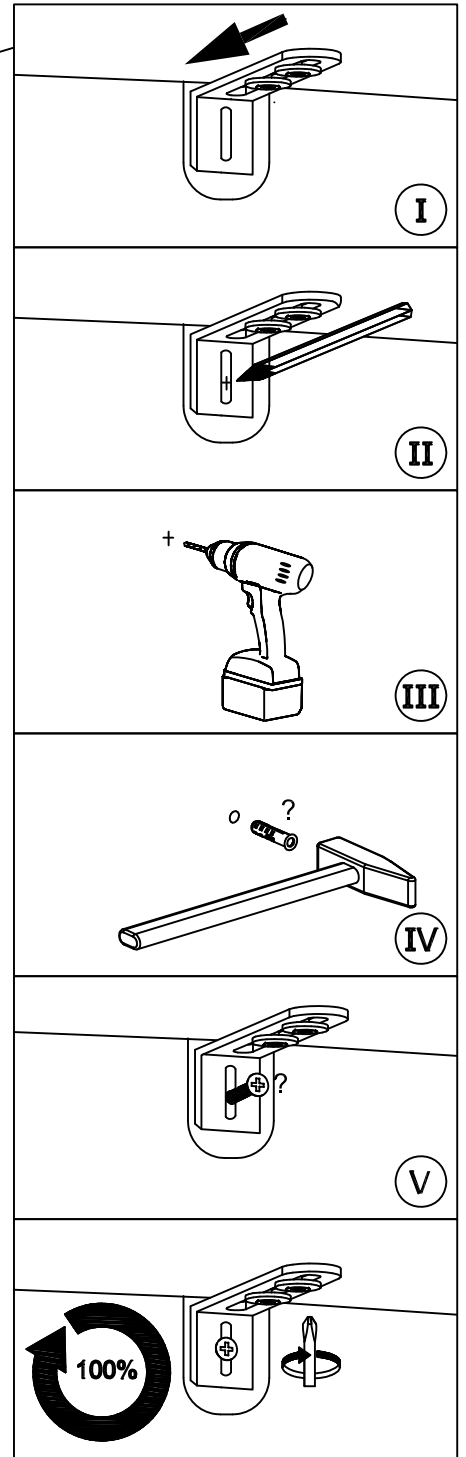
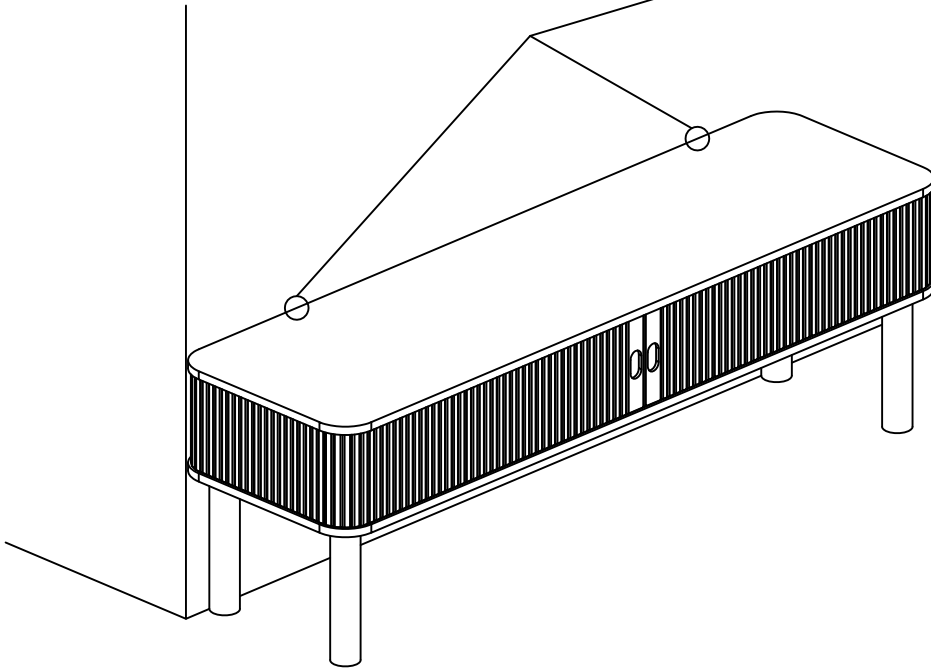
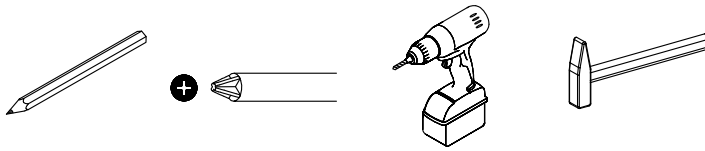
14



15



16



17

