

脚踏 Pedal

STEP 1:

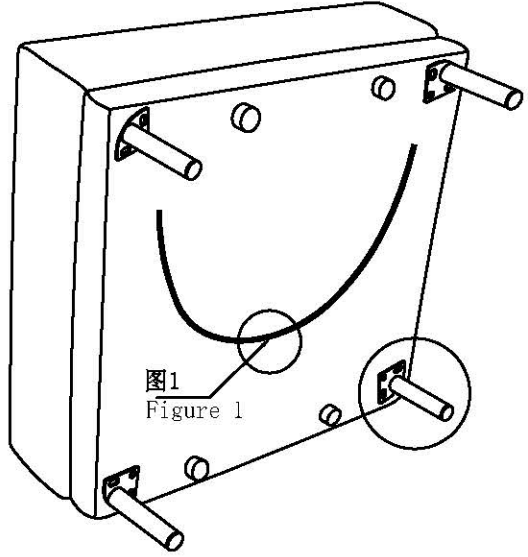


图1: 拉开拉链, 取出配件箱
Figure 1: Unzip the accessory case

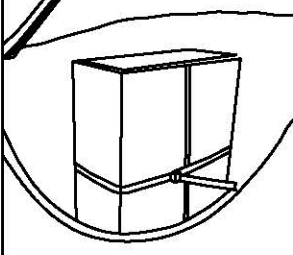
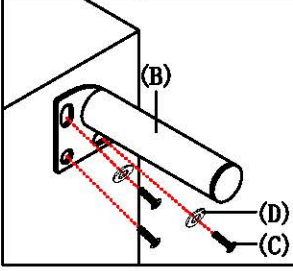
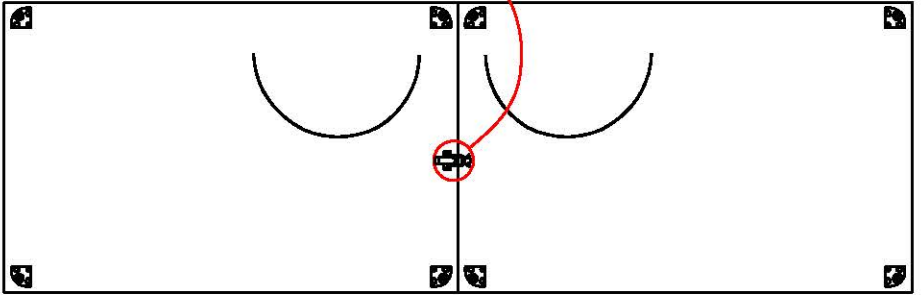
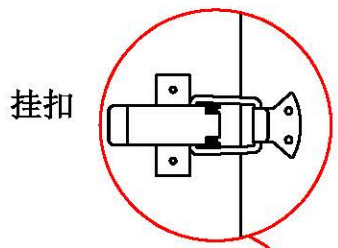


图2: 边脚安装示意图
Figure 2: Side and foot installation diagram



组合 Combination



把左双人、右双人靠一起, 锁上座架底的五金扣。
Put the Loveseat (L) and the Loveseat (R) together,
and lock the metal buckle at the bottom of the seat frame.

组合图 Combination

左双人+右双人+脚踏 Loveseat (L) + Loveseat (R) + Pedal

