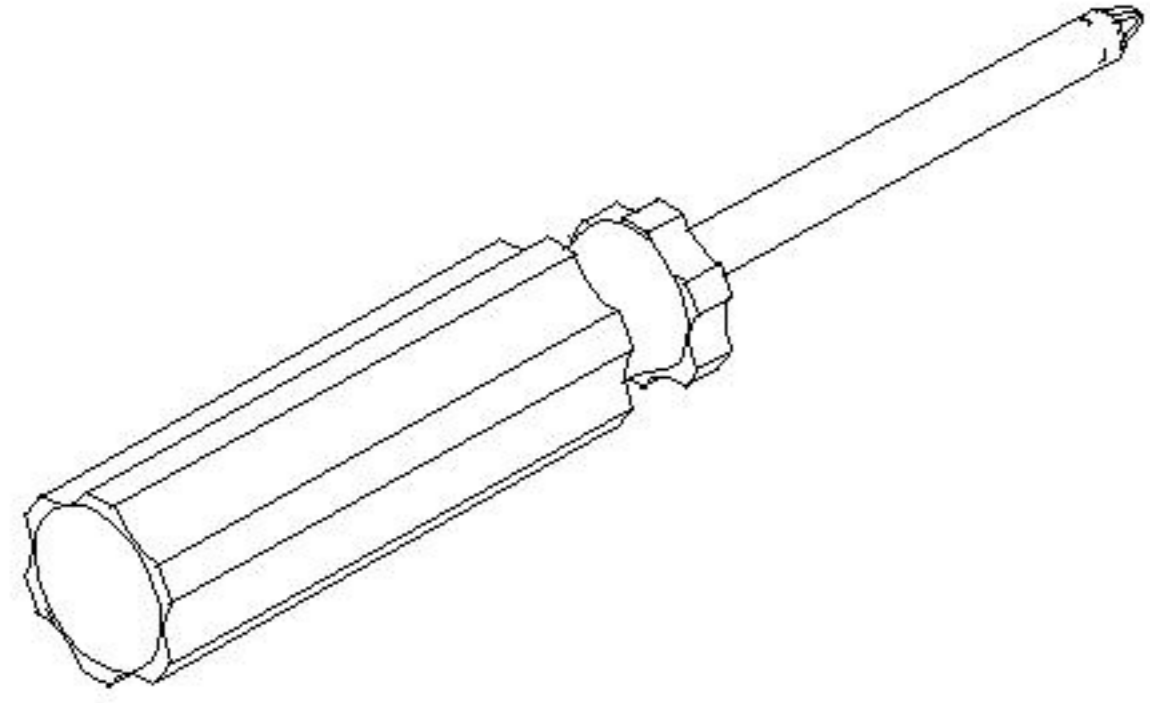
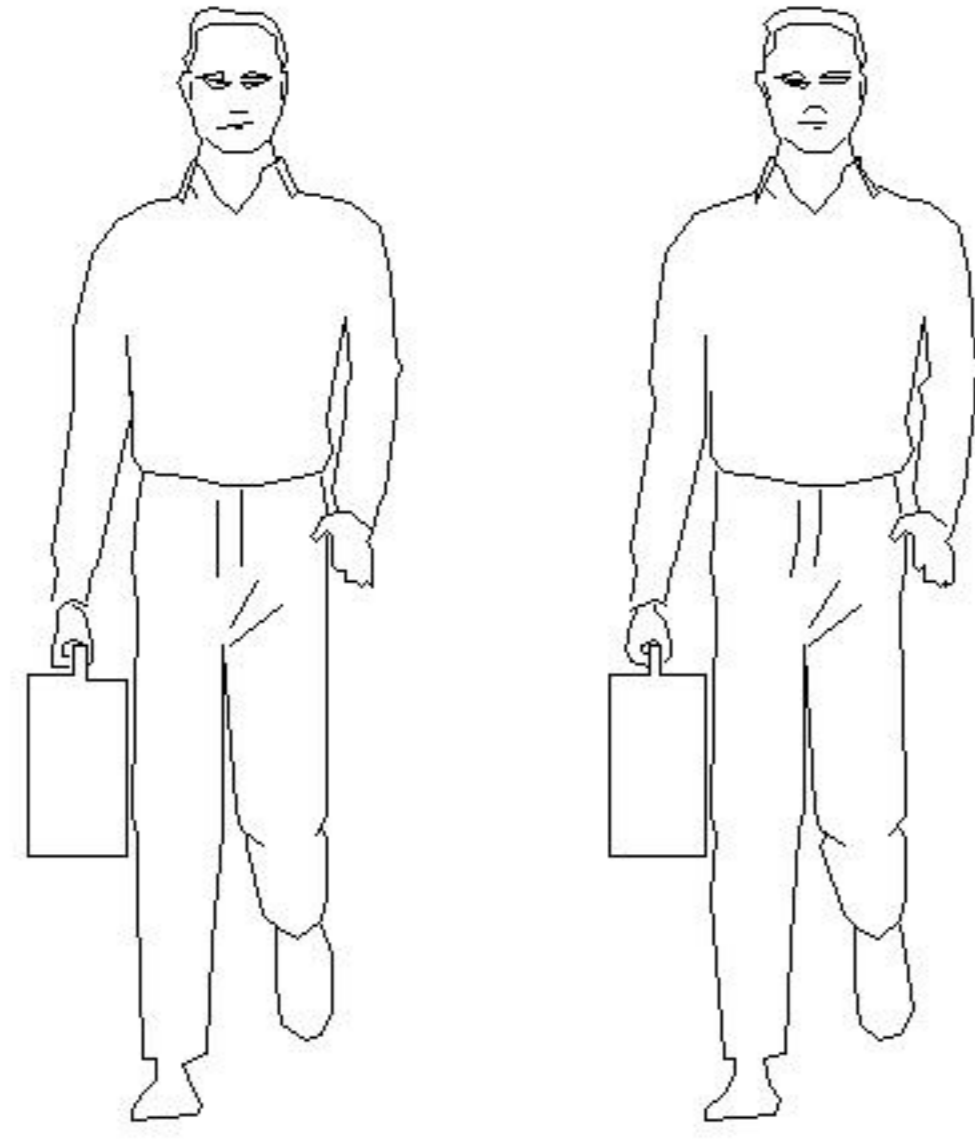
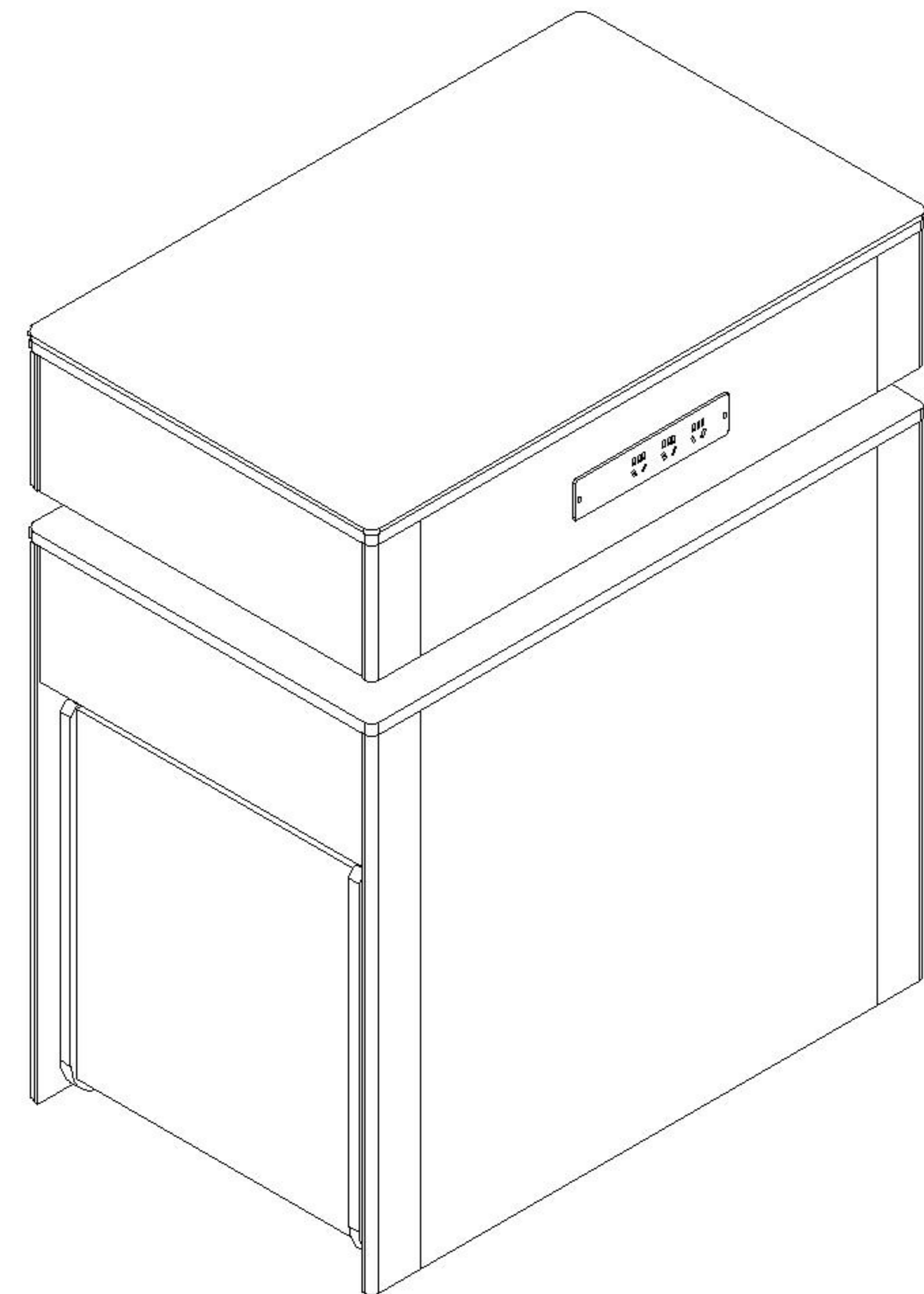


安装示意图/Assembly Instruction

产品名称 Model NO.	OU6R-A
产品规格 Specification	800*505*955 mm
安装工具 Tool	安装人数 Installer
	



 (A)* 12 脚垫-灰色 Footrest - Grey	 (B)* 8 斜边十字螺杆-M8x85 bevel cross screw	 (C)* 46 木榫08x30mm wood tenon	 (D)* 93 二合一螺杆 2-in-1-screw	 (E)* 93 大三合一锁饼 Three-in-one large lock	 (F)* 82 自攻螺丝M3.5x12mm Self-tapping screw	 (G)* 13 塑料螺母 Plastic Nut	 (H)* 13 自攻螺丝M4x40mm Self-tapping screw		
 (I)* 13 小二合一杆 small two-in-one rod	 (J)* 13 小三合一锁饼 small three-in-one lock	 (K)* 6 圆胶垫 Round rubber pad	 (L)* 4 层板托 shelf support	 (M)* 2 缓冲门较大弯-杯径035 Hinge-big bends-diameter 35	 (N)* 12 L型角码14x21x1.5 L-shaped corner code	 (O)* 4 万向轮 universal wheel	 (P)* 2 下水圈 Plastic Ring		
 (Q)* 1 插座 Socket	 (R)* 2 三节滚珠导轨-10" three-section ball rail	 (S)* 1 三节滚珠导轨-12" three-section ball rail							

OU6R-A

部件表/Parts List

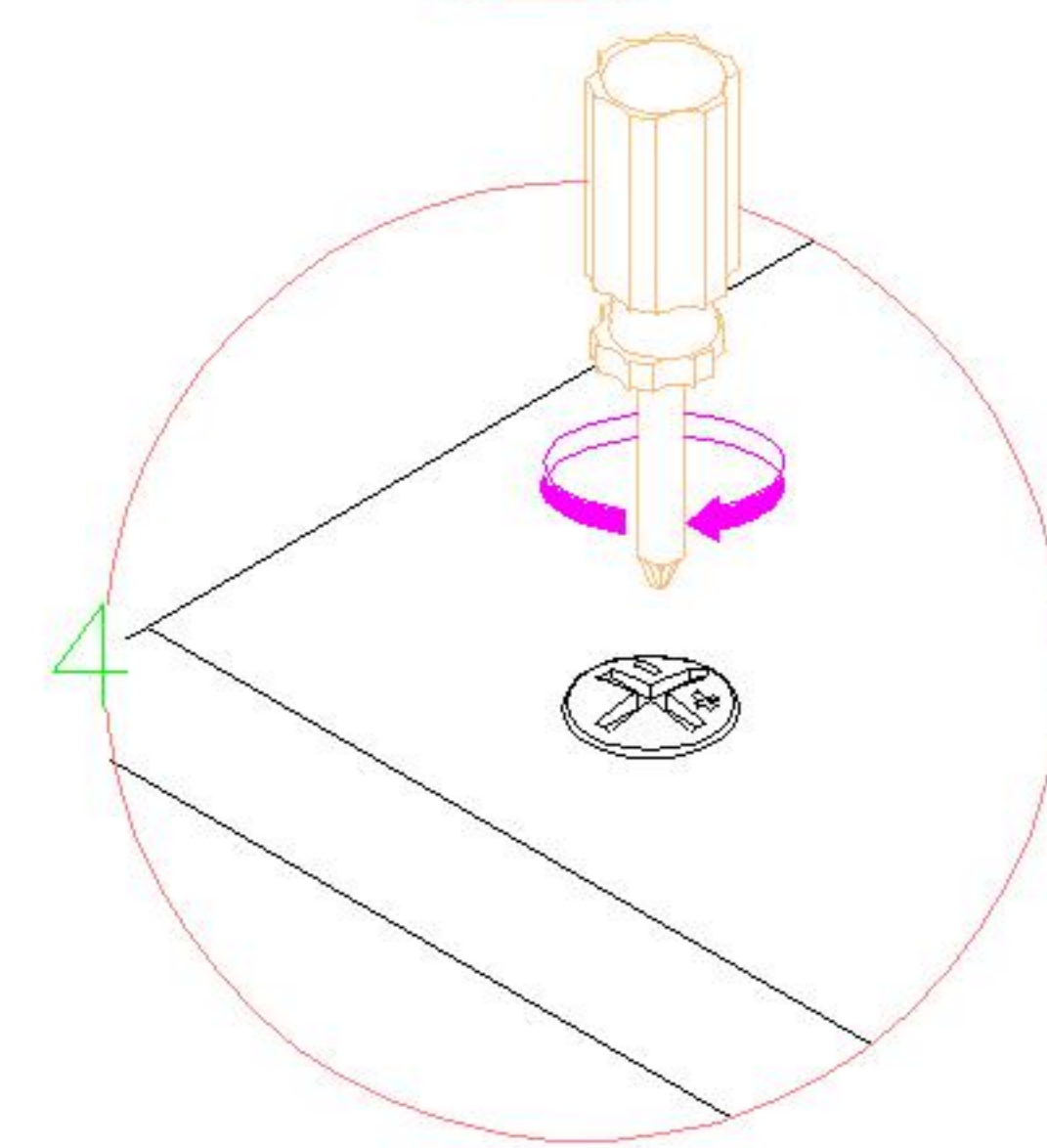
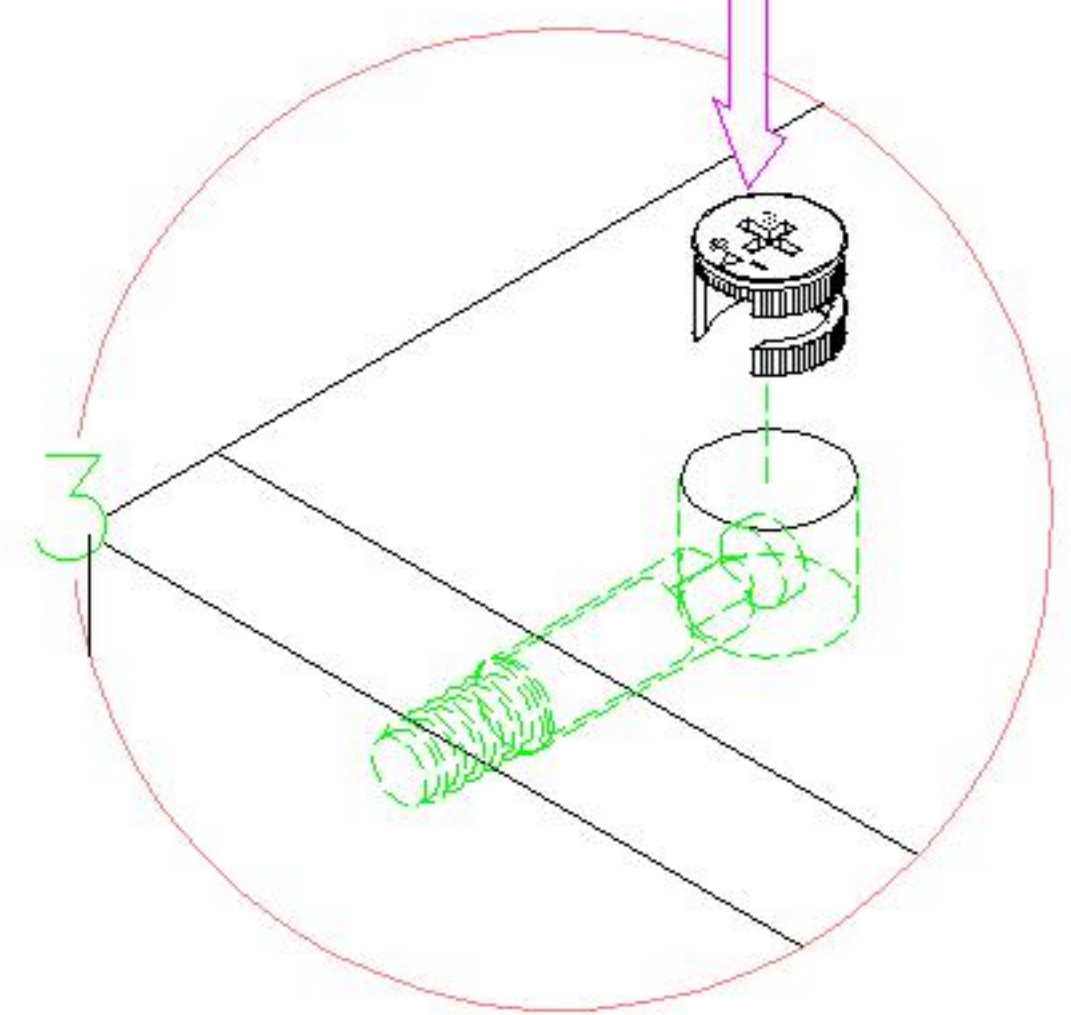
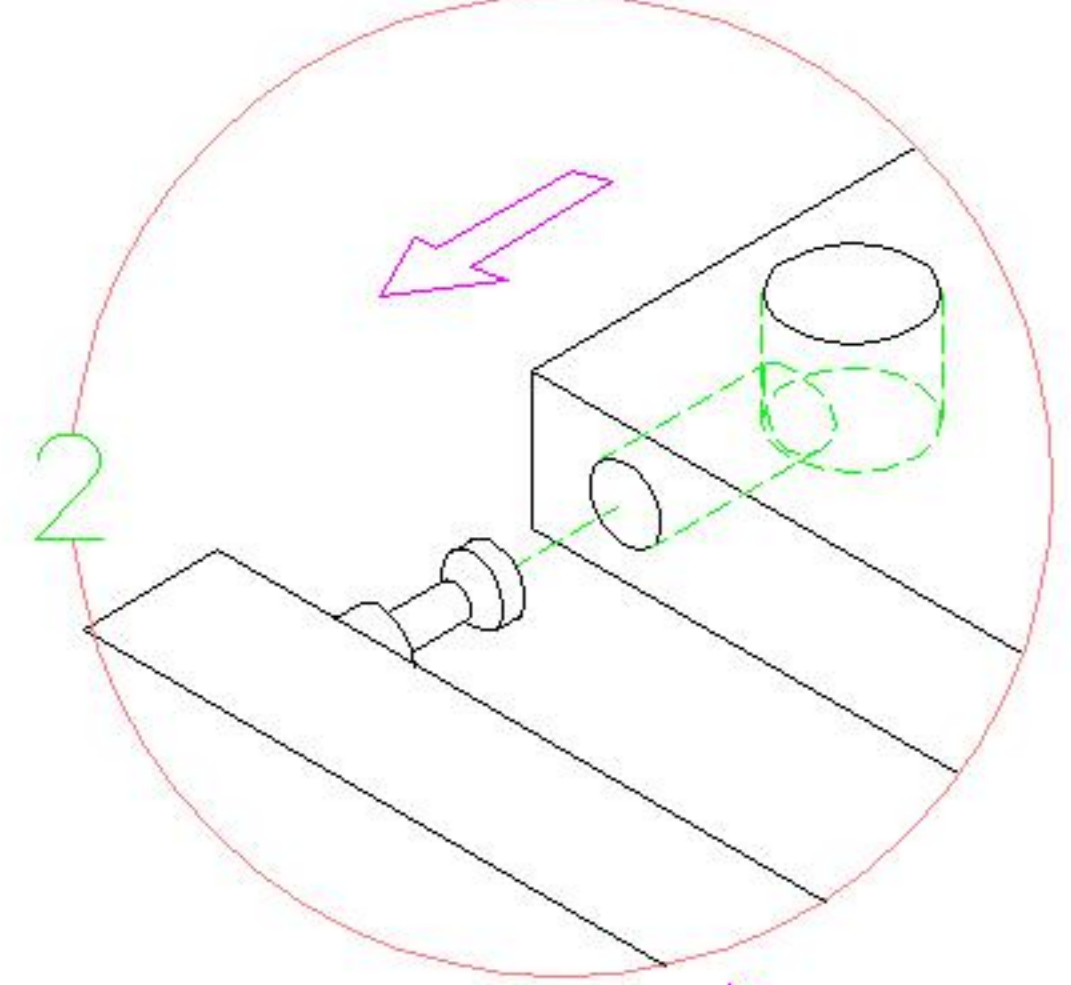
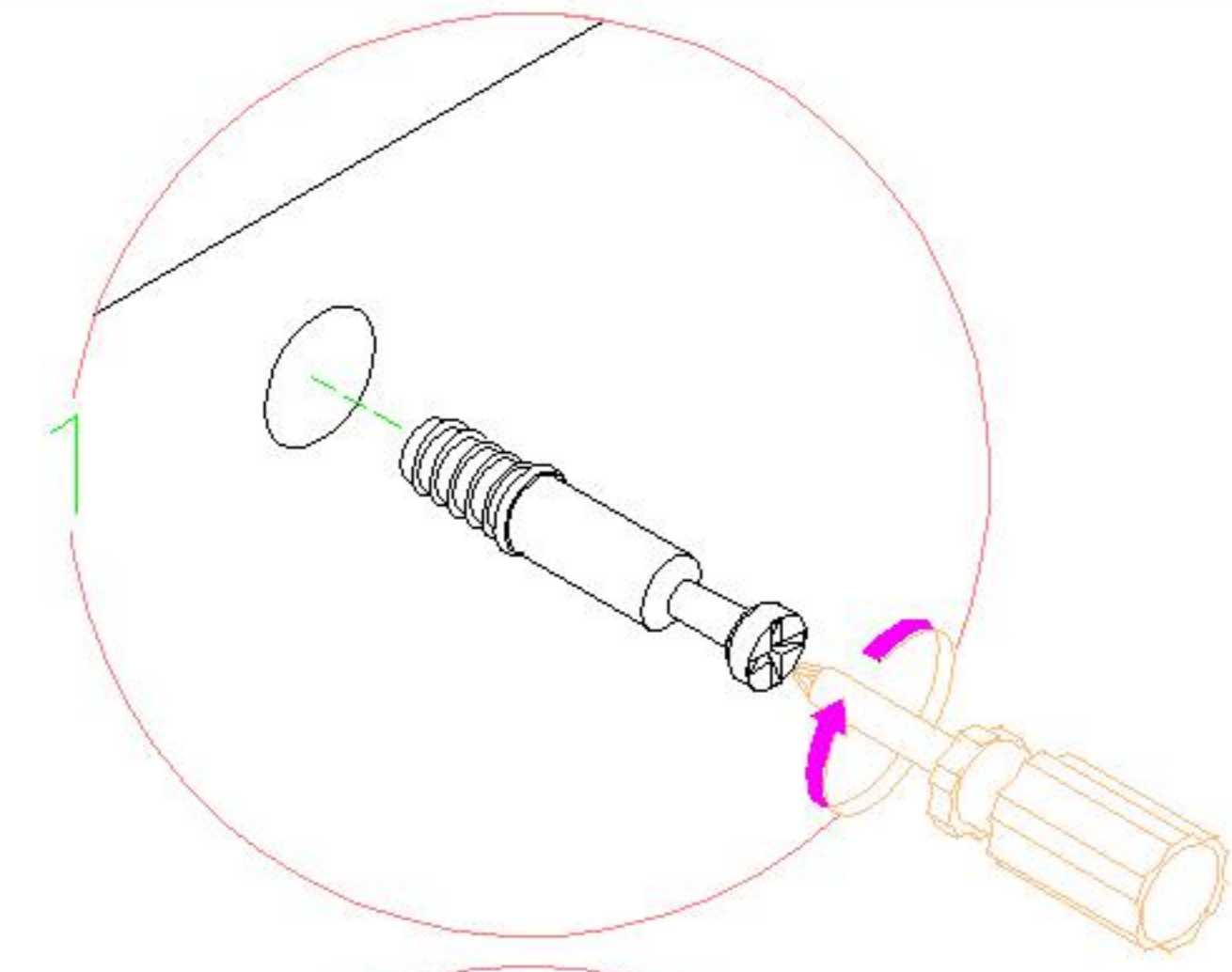
部件表/Parts List

安装方法/
Installation method

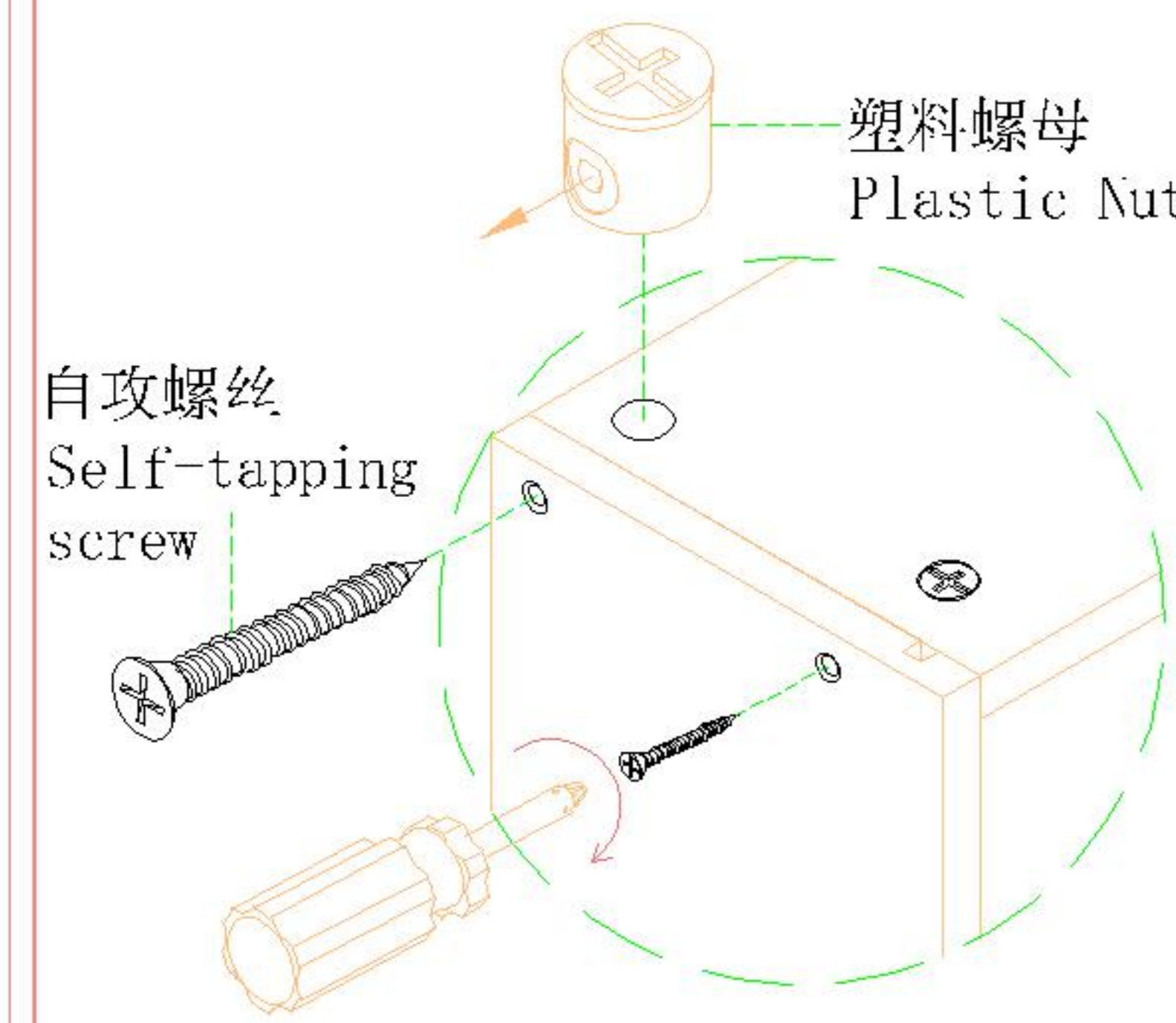
编号NO.	名称Name	规格 (mm) Specification	数量QTY	材质Material	编号NO.	名称Name	规格 (mm) Specification	数量QTY	材质Material
①	面板Top panel	796*496*15	1	人造板 WBP	②6	大抽屉右侧板Big drawer's sideboard (R)	340*110*12	1	人造板 WBP
②	底板Bottom board	760*464*15	1	人造板 WBP	②7	大抽屉底板 Large drawer bottom board	424*336*5	1	人造板 WBP
③	右上侧板Upper sideboard (R)	654*170*15	1	人造板 WBP	②8	附柜右侧板Sideboard of attached cabinet (R)	492*375*15	1	人造板 WBP
④	左上侧板Upper sideboard (L)	654*170*15	1	人造板 WBP	②9	附柜左侧板Sideboard of attached cabinet (L)	492*375*15	1	人造板 WBP
⑤	左侧柱L side pillar	170*70*15	2	人造板 WBP	③0	附柜背板Attached back board	458*398*15	1	人造板 WBP
⑥	右侧柱Side column (R)	170*70*15	2	人造板 WBP	③1	附柜底板Attached bottom board	398*335*15	1	人造板 WBP
⑦	中面板 Middle panel	796*496*15	1	人造板 WBP	③2	下拉条Bottom brace	398*58*15	1	人造板 WBP
⑧	左下侧板Lower side board (L)	694*654*15	1	人造板 WBP	③3	附柜层板Shelf of attached cabinet	398*350*15	1	人造板 WBP
⑨	右下侧板Lower side board (R)	694*654*15	1	人造板 WBP	③4	岩板Sintered Stone	800*500*6	1	岩板Sintered Stone
⑩	中侧板Middle side board	694*464*15	1	人造板 WBP					
⑪	右底板Bottom board (R)	464*372.5*15	1	人造板 WBP					
⑫	拉条Brace	464*58*15	3	人造板 WBP					
⑬	垫条1 Cushion strip 1	380*58*25	2	人造板 WBP					
⑭	垫条2 Cushion strip 2	630*58*25	2	人造板 WBP					
⑮	活动层板Movable shelf	463*371*15	1	人造板 WBP					
⑯	右脚条 Right foot strip	694*70*15	2	人造板 WBP					
⑰	左后脚Back foot (L)	694*70*15	1	人造板 WBP					
⑱	左前脚Front foot (L)	694*70*15	1	人造板 WBP					
⑲	门板Door board	628*460*15	1	人造板 WBP					
⑳	抽屉面板Drawer's top panel	460*168*15	3	人造板 WBP					
㉑	抽屉左侧板Drawer's side board (L)	260*110*12	2	人造板 WBP					
㉒	抽屉右侧板Drawer's side board (R)	260*110*12	2	人造板 WBP					
㉓	抽屉后板Drawer's Back board	414*110*12	3	人造板 WBP					
㉔	抽屉底板Drawer's Bottom board	424*256*5	2	人造板 WBP					
㉕	大抽屉左侧板Big drawer's sideboard (L)	340*110*12	1	人造板 WBP					

OU6R-A

安装方法/
Installation method

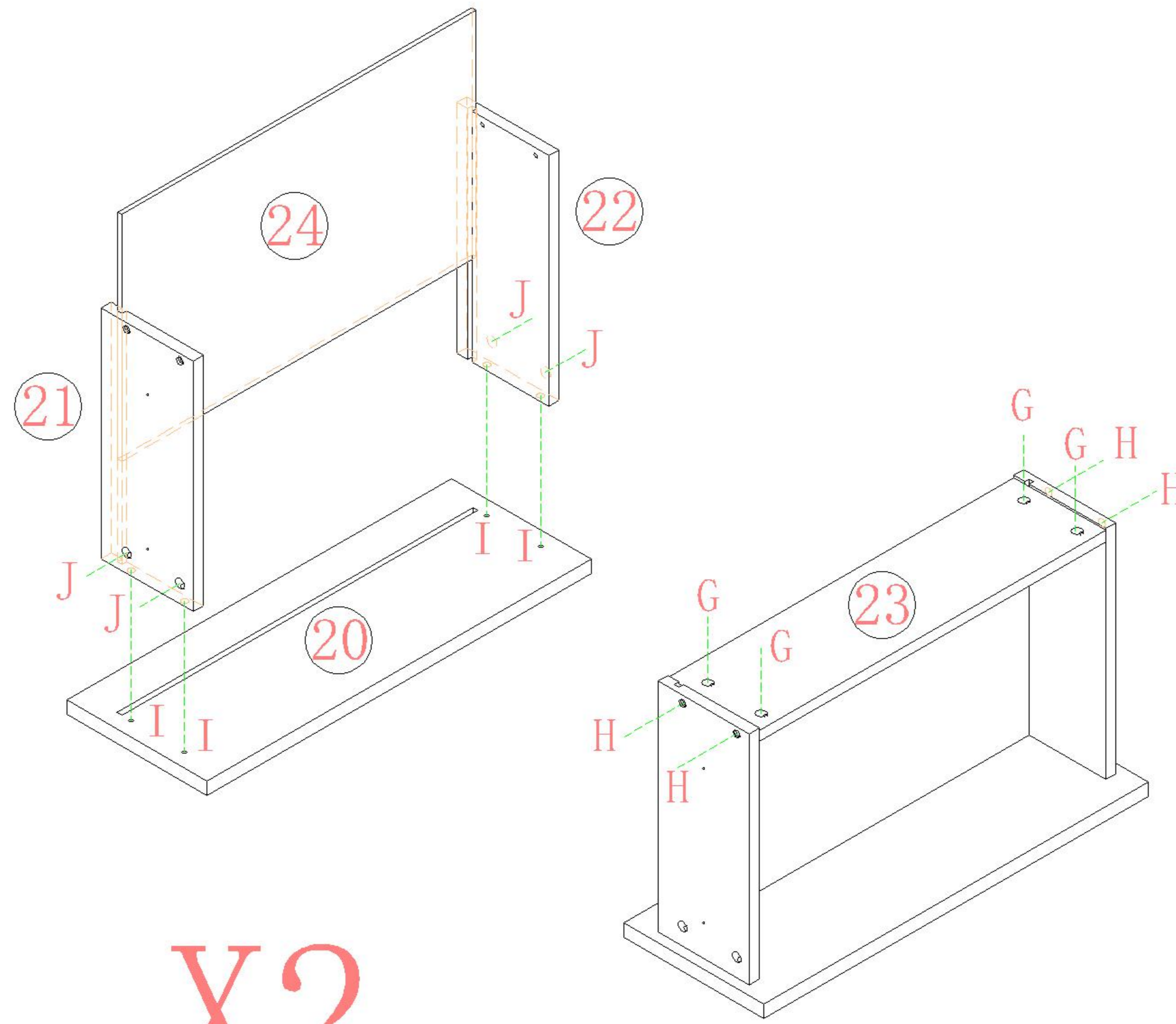


小二合一/two-in-one



塑料螺母
Plastic Nut

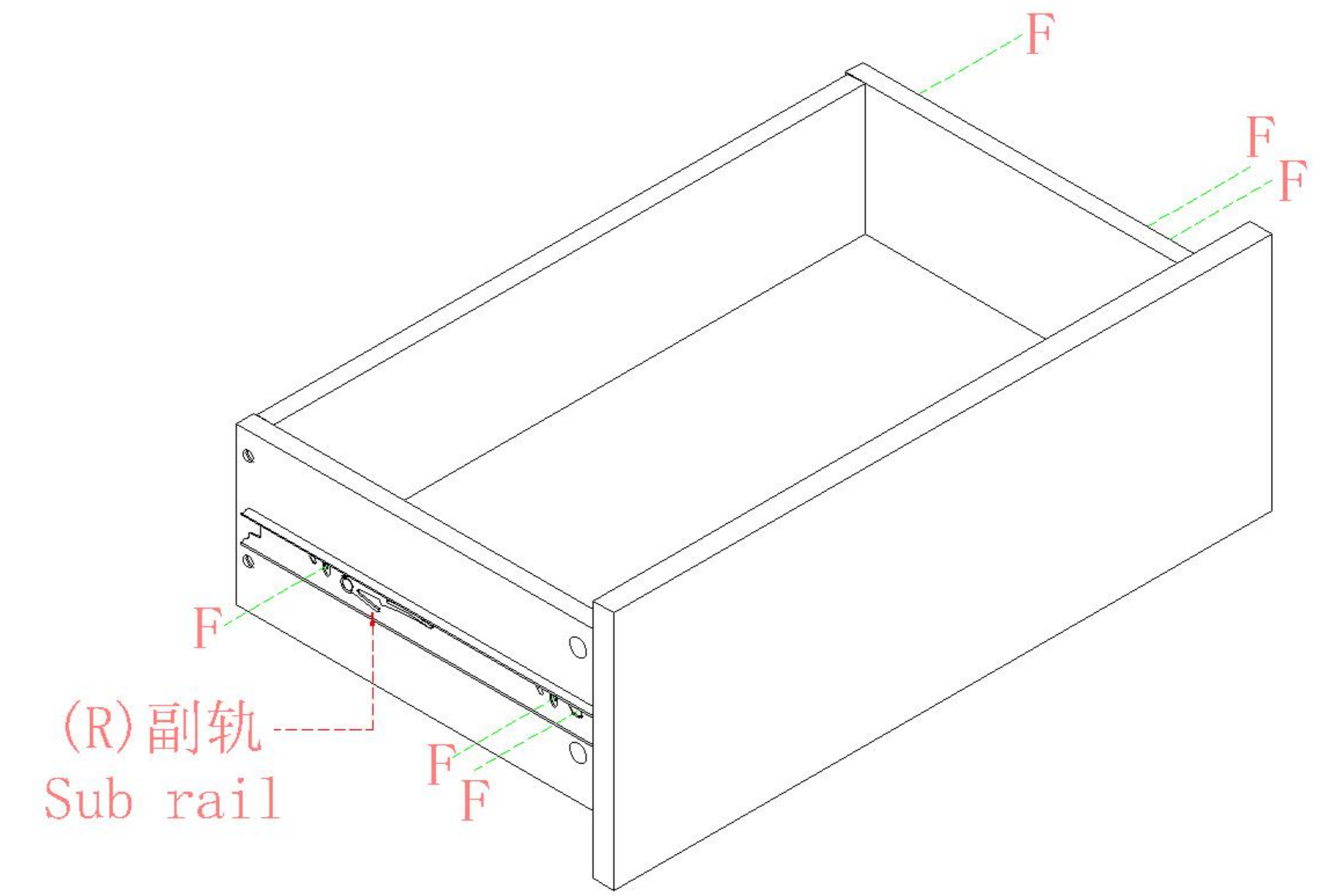
- (G)*8
- (H)*8
- (I)*8
- (J)*8



X2

1

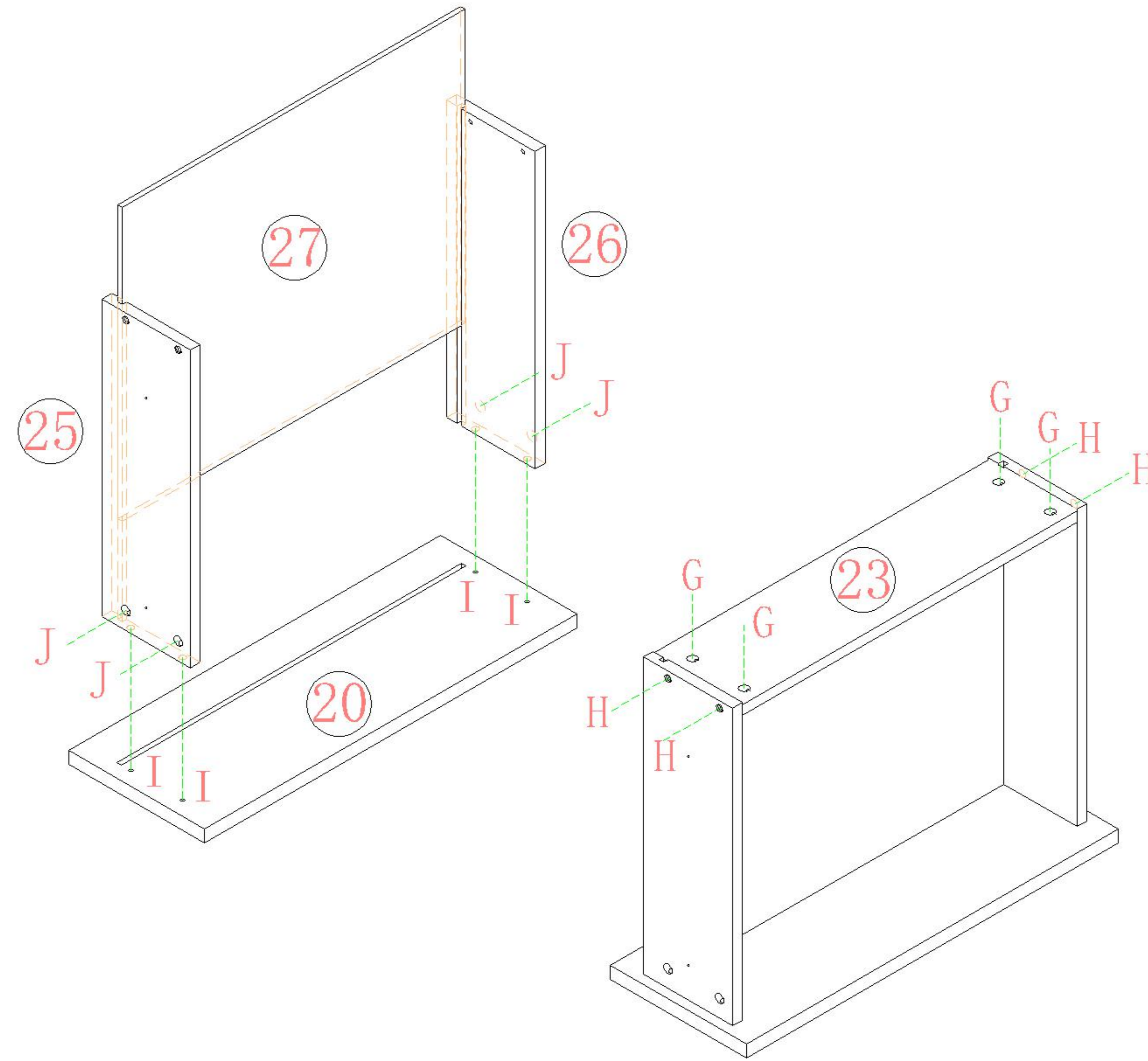
- (F)*12
- (R)*2



X2

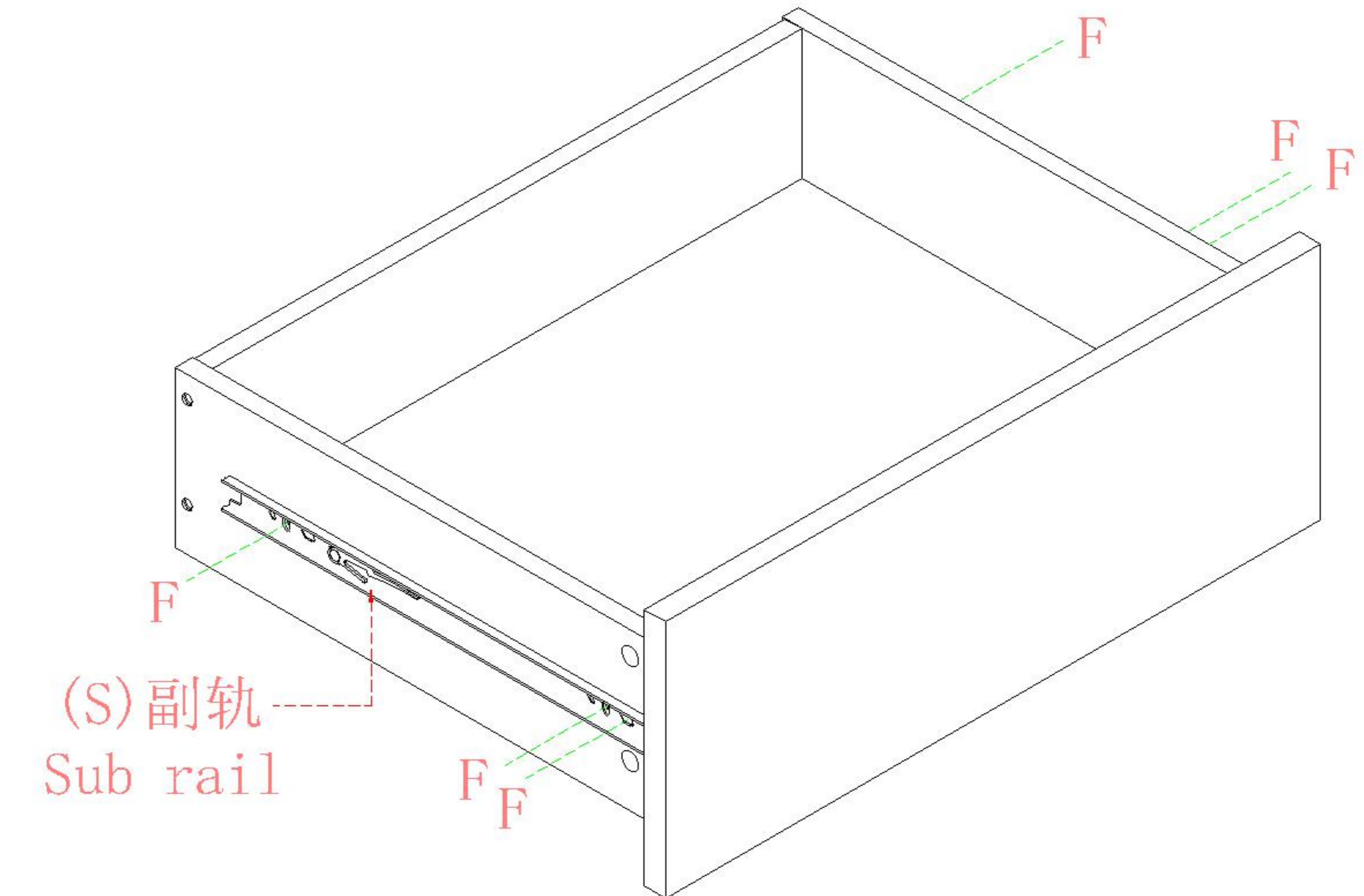
2

- (G)*4
- (H)*4
- (I)*4
- (J)*4



3

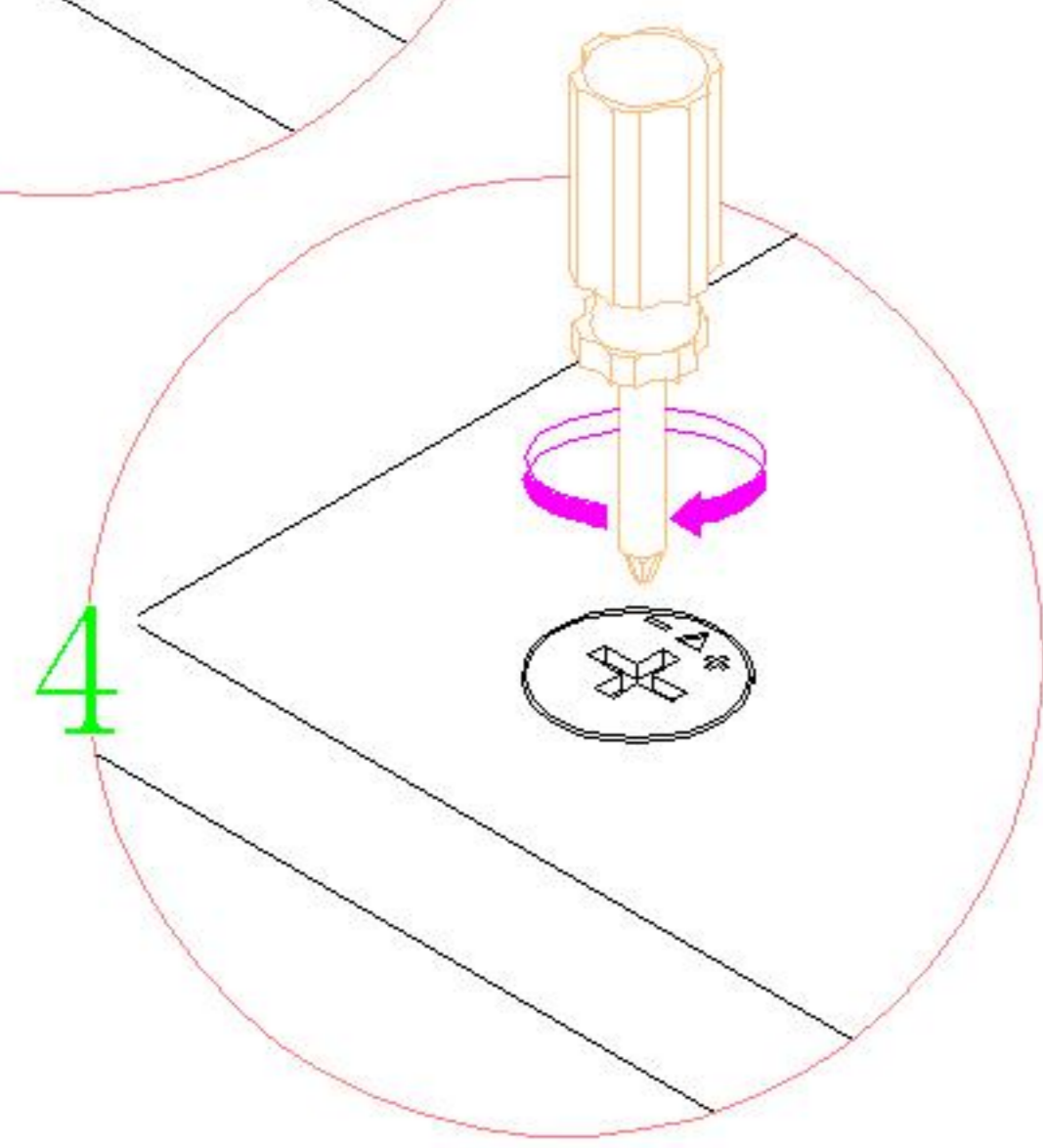
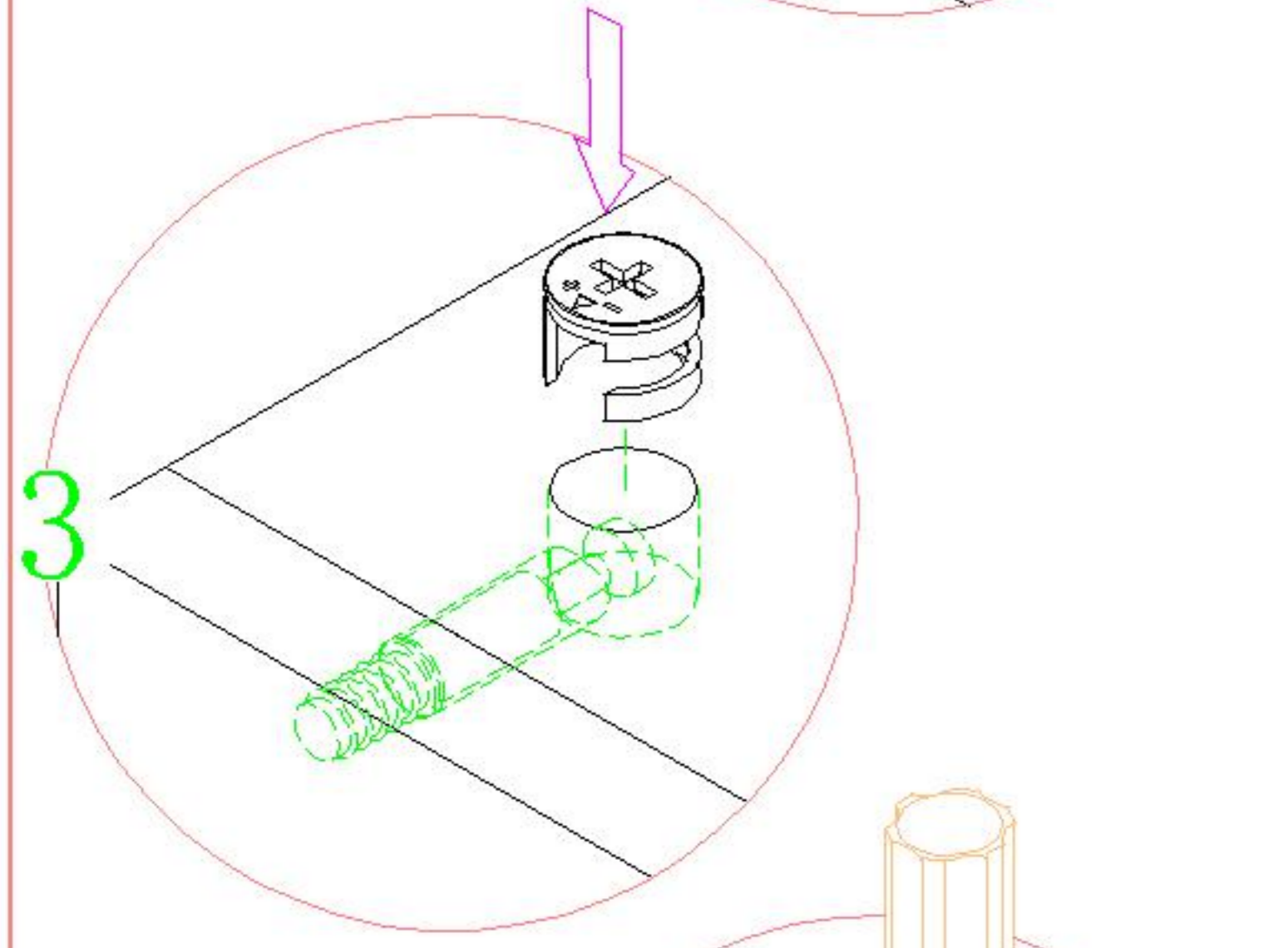
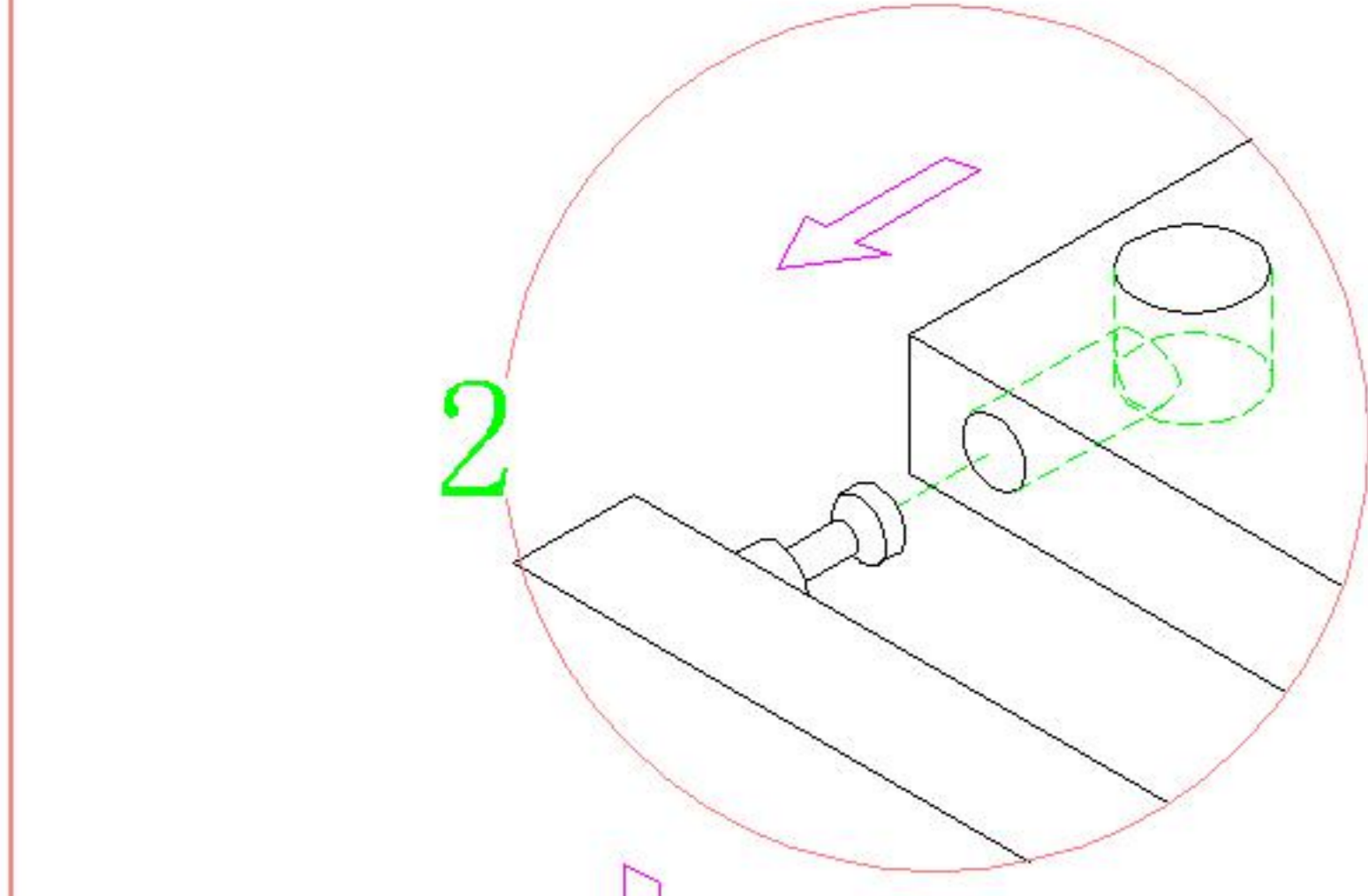
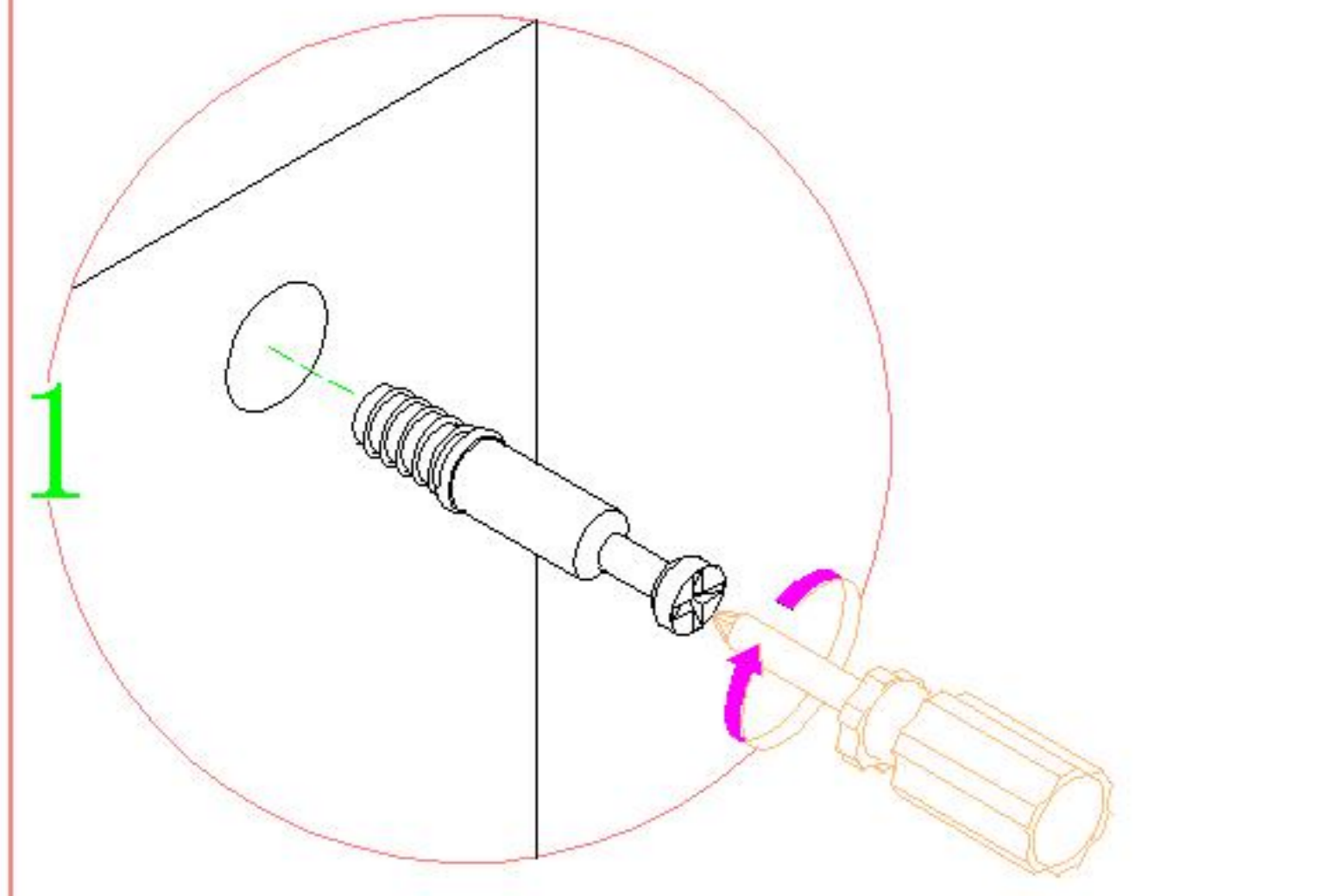
- (F)*6
- (S)*1



4

OU6R-A

安装方法/
Installation method



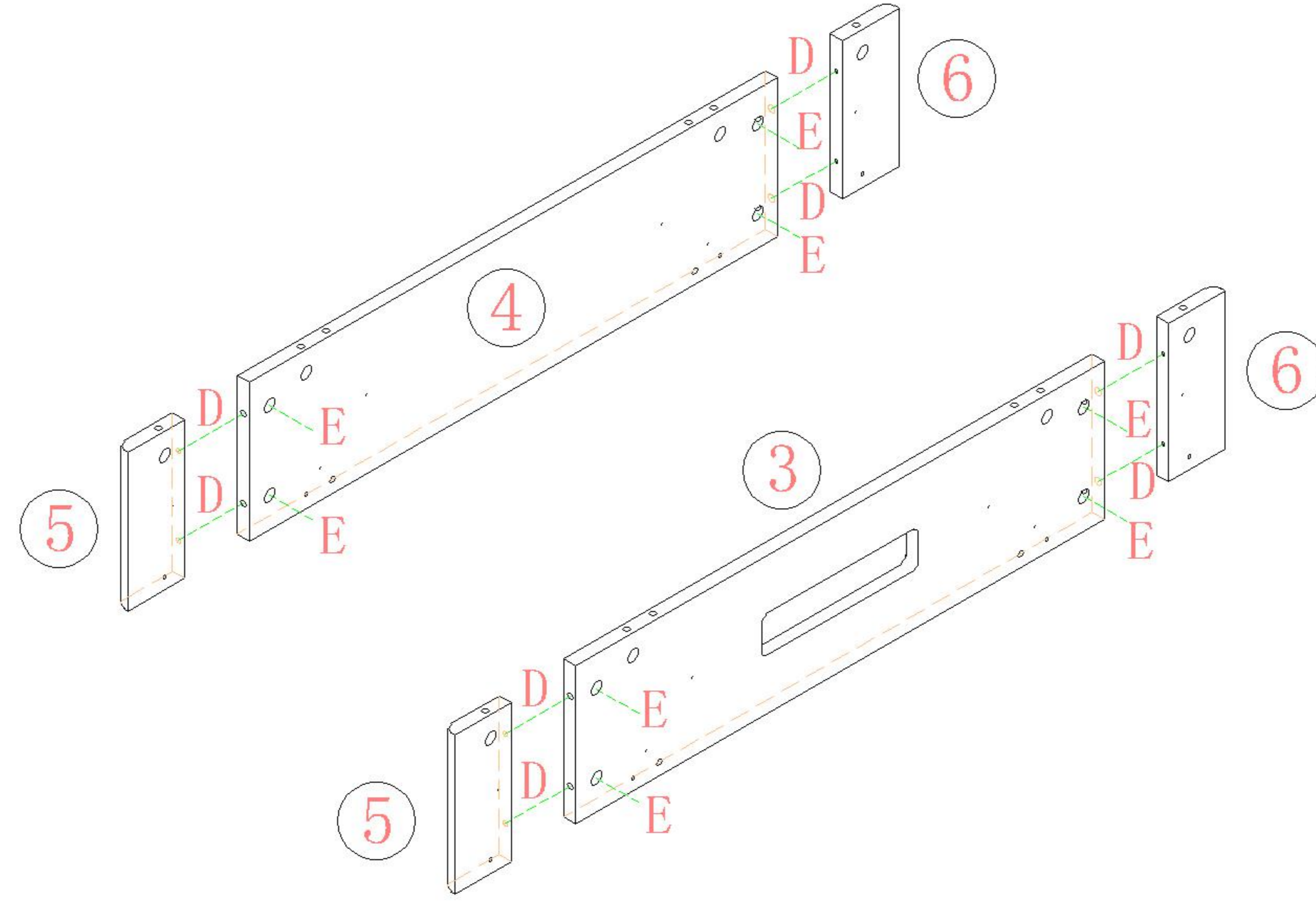
大二合一
two-in-one



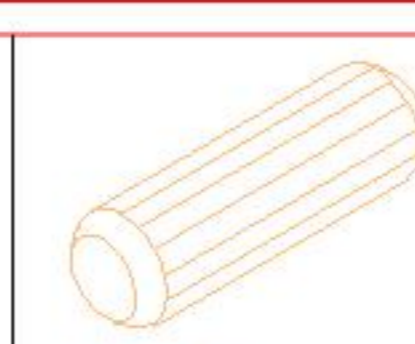
(D)*8



(E)*8



5



(C)*4



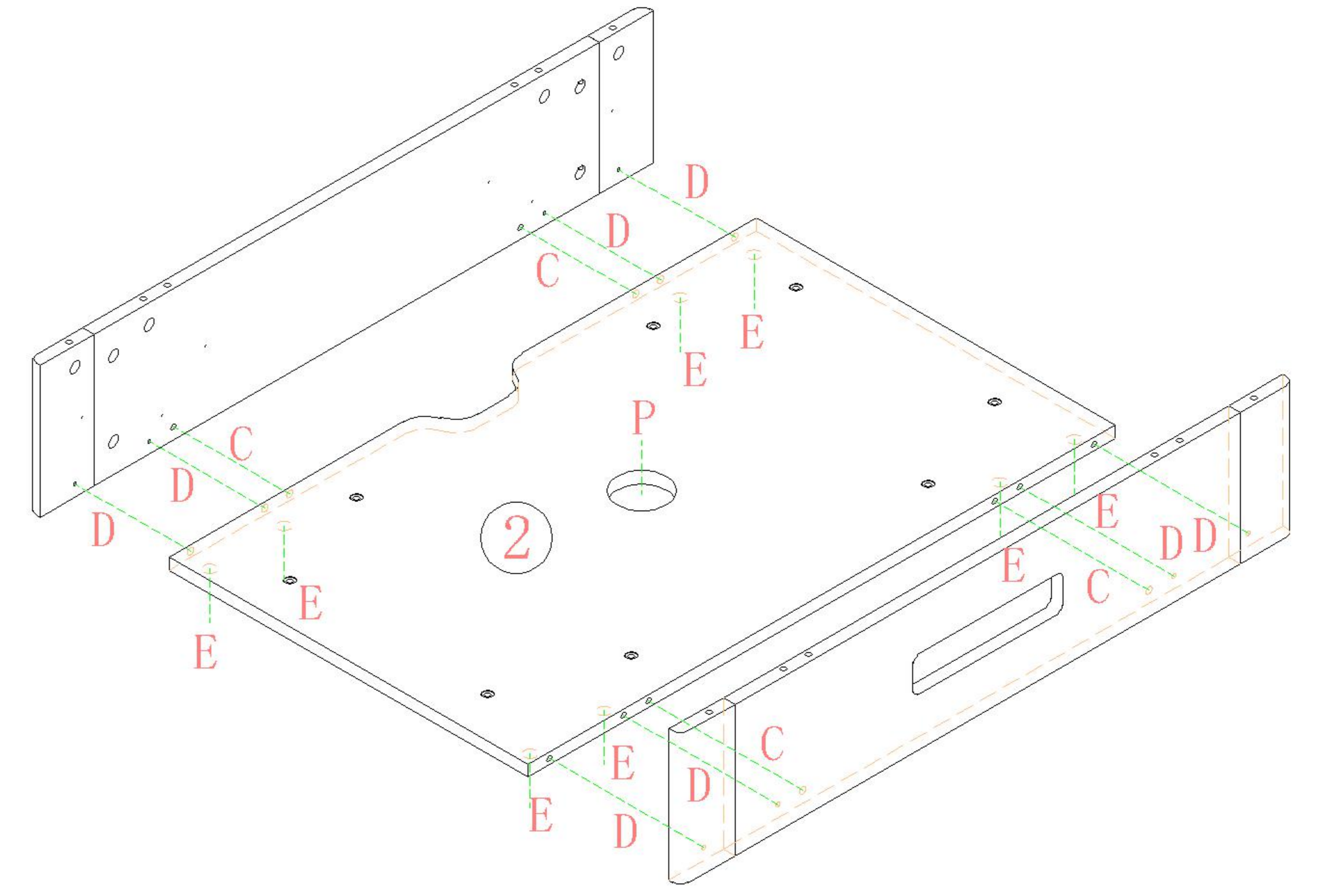
(D)*8



(E)*8



(P)*1



6



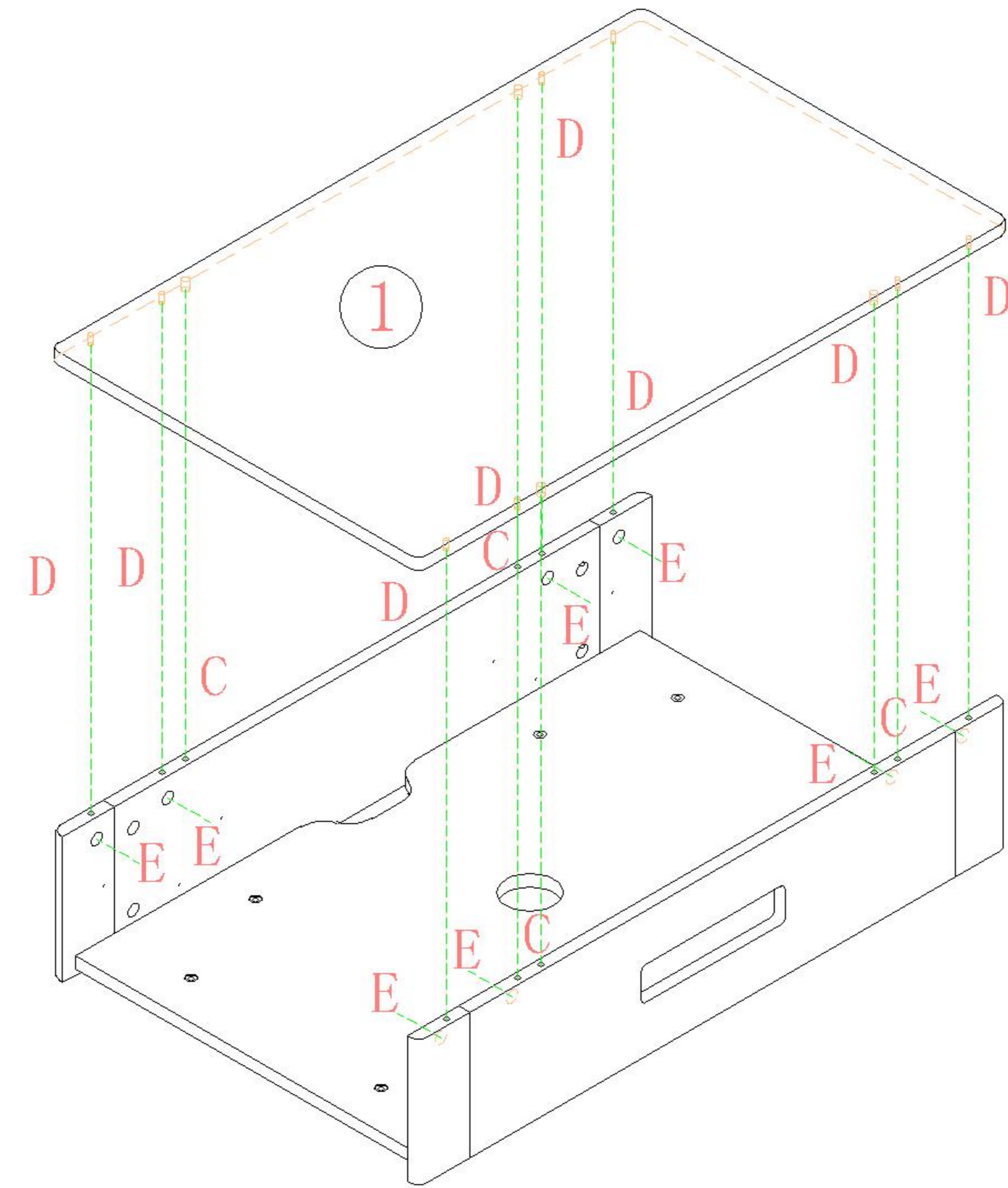
(C)*4



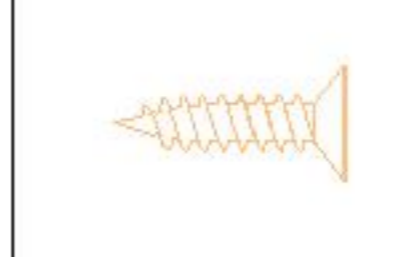
(D)*8



(E)*8



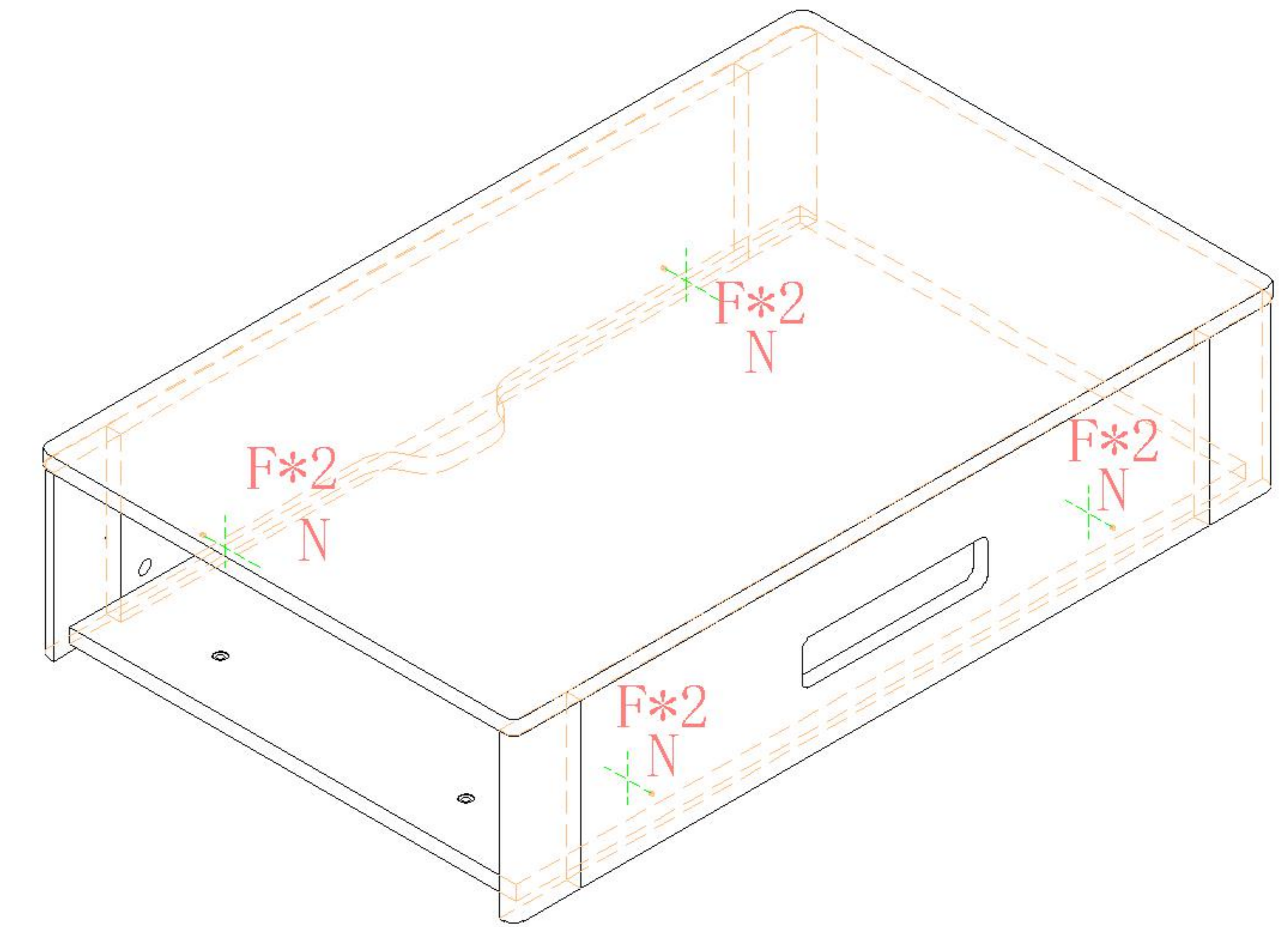
7



(F)*8



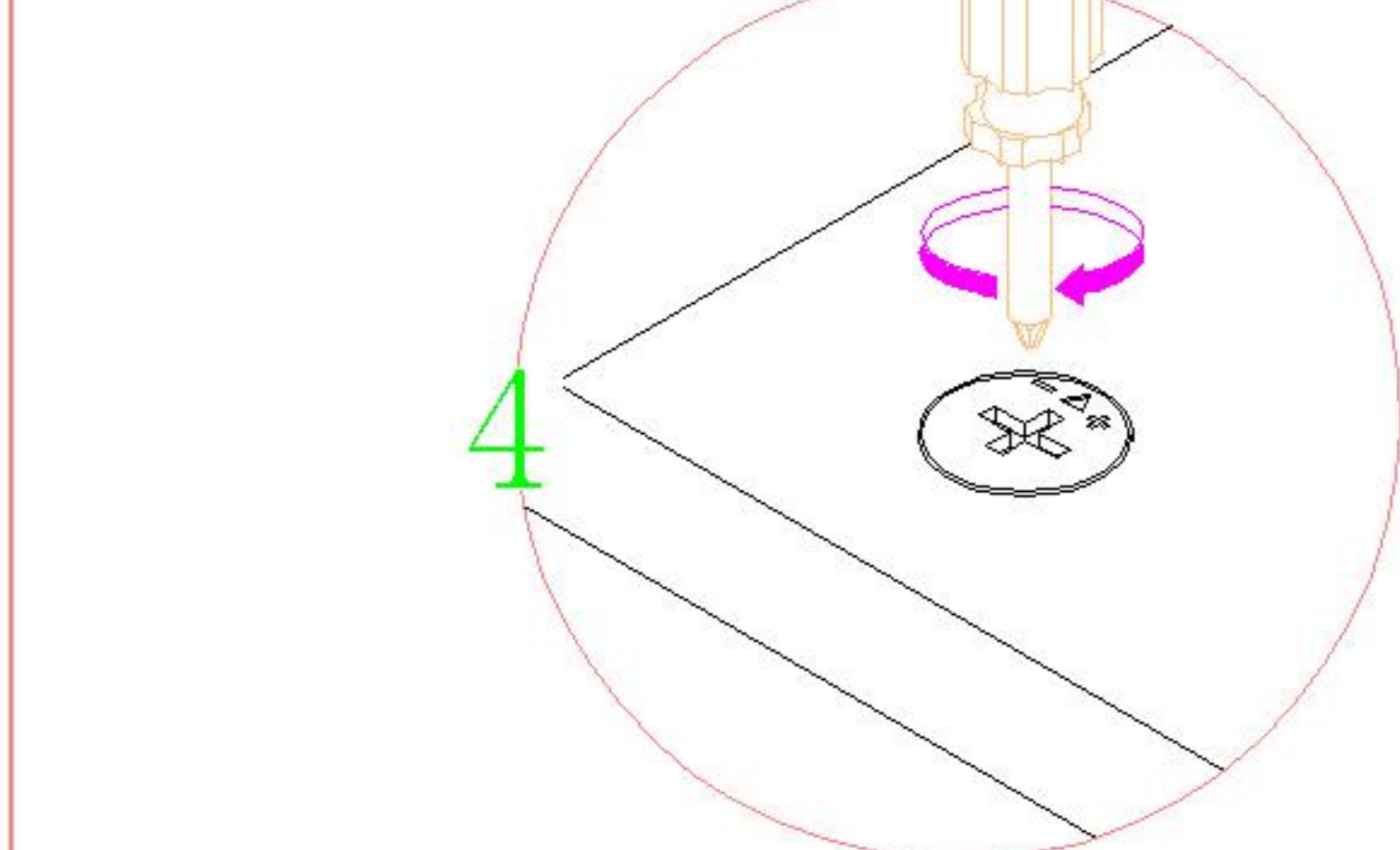
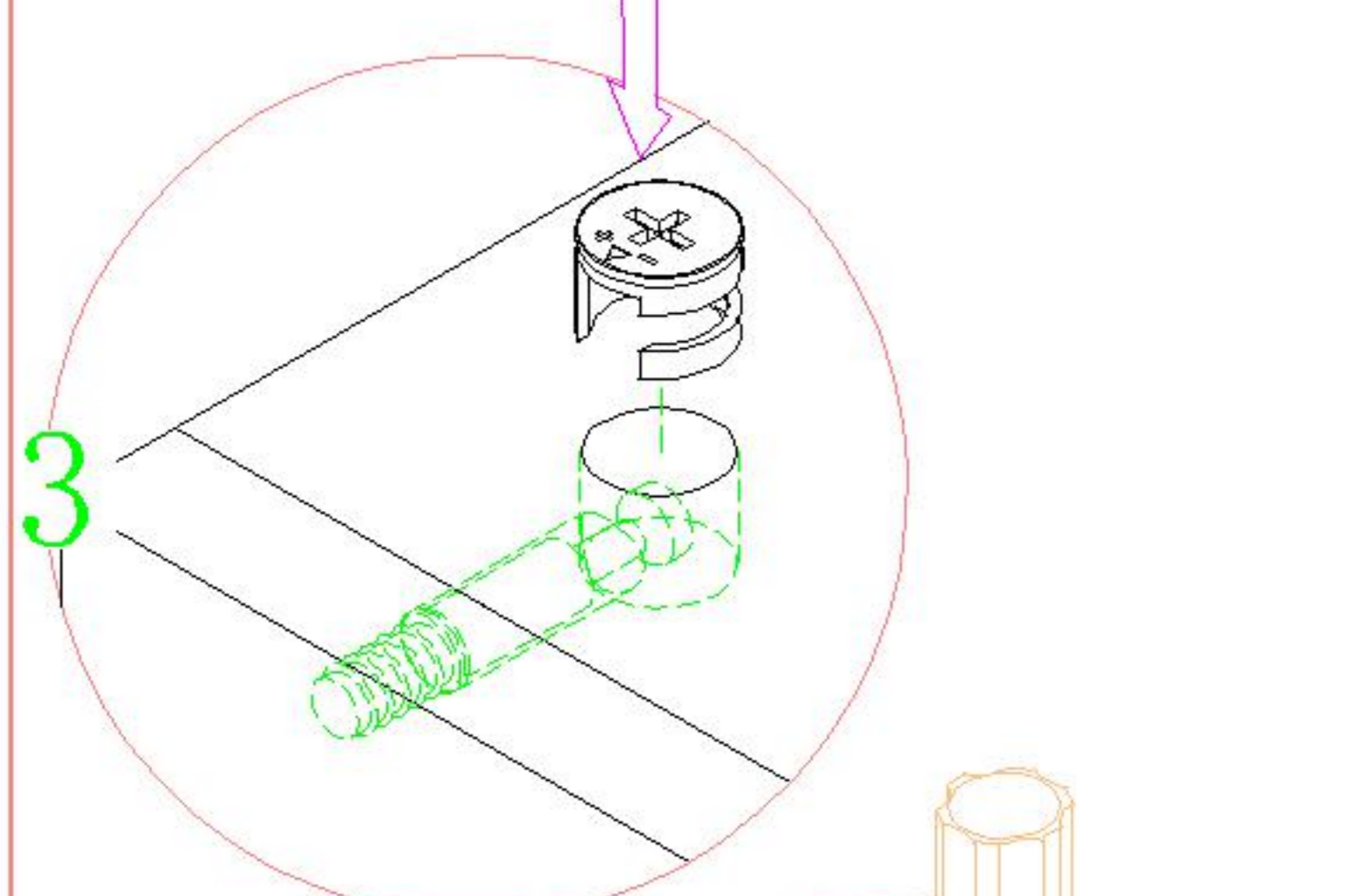
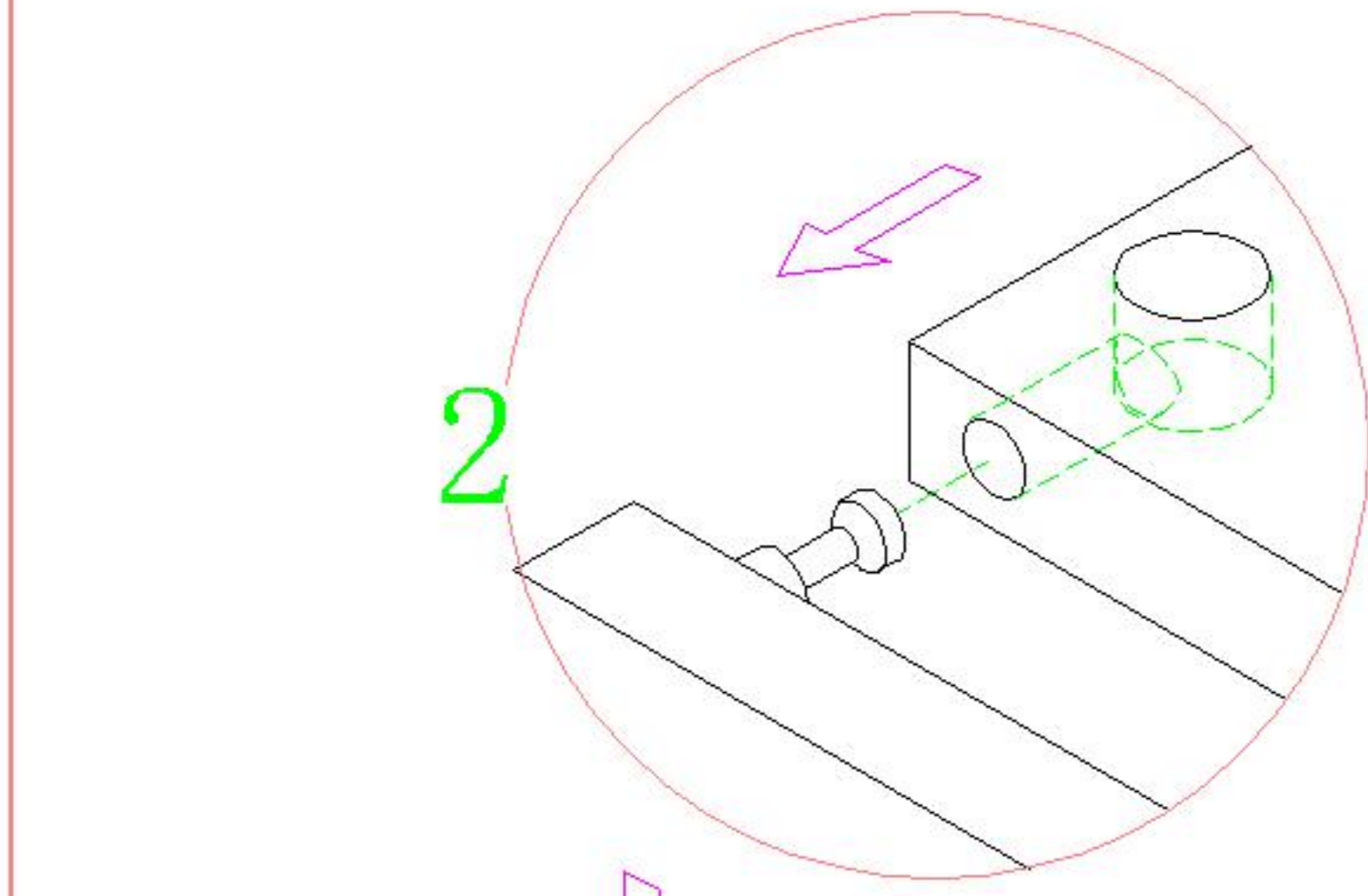
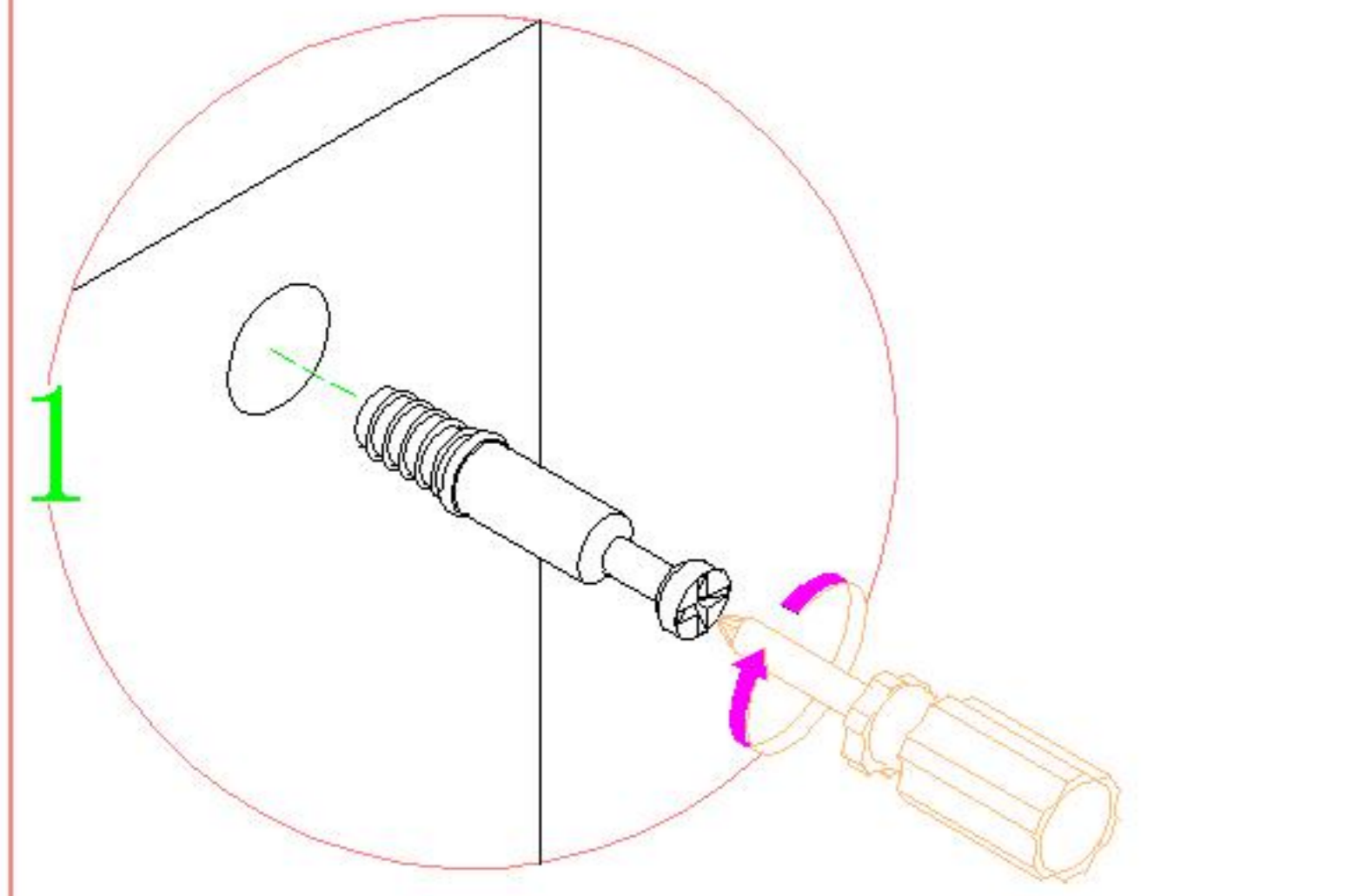
(N)*4



8

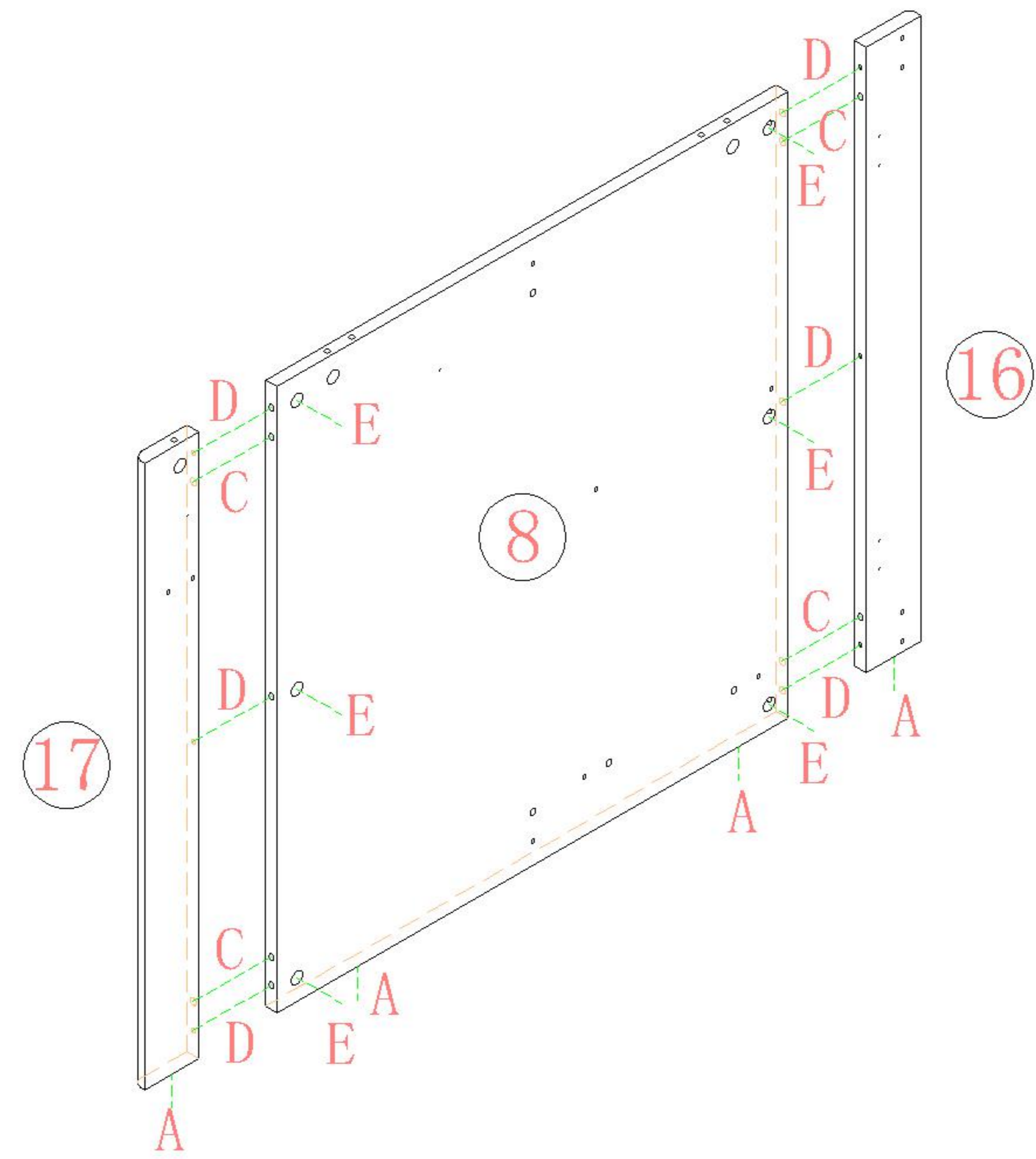
OU6R-A

安装方法/
Installation method

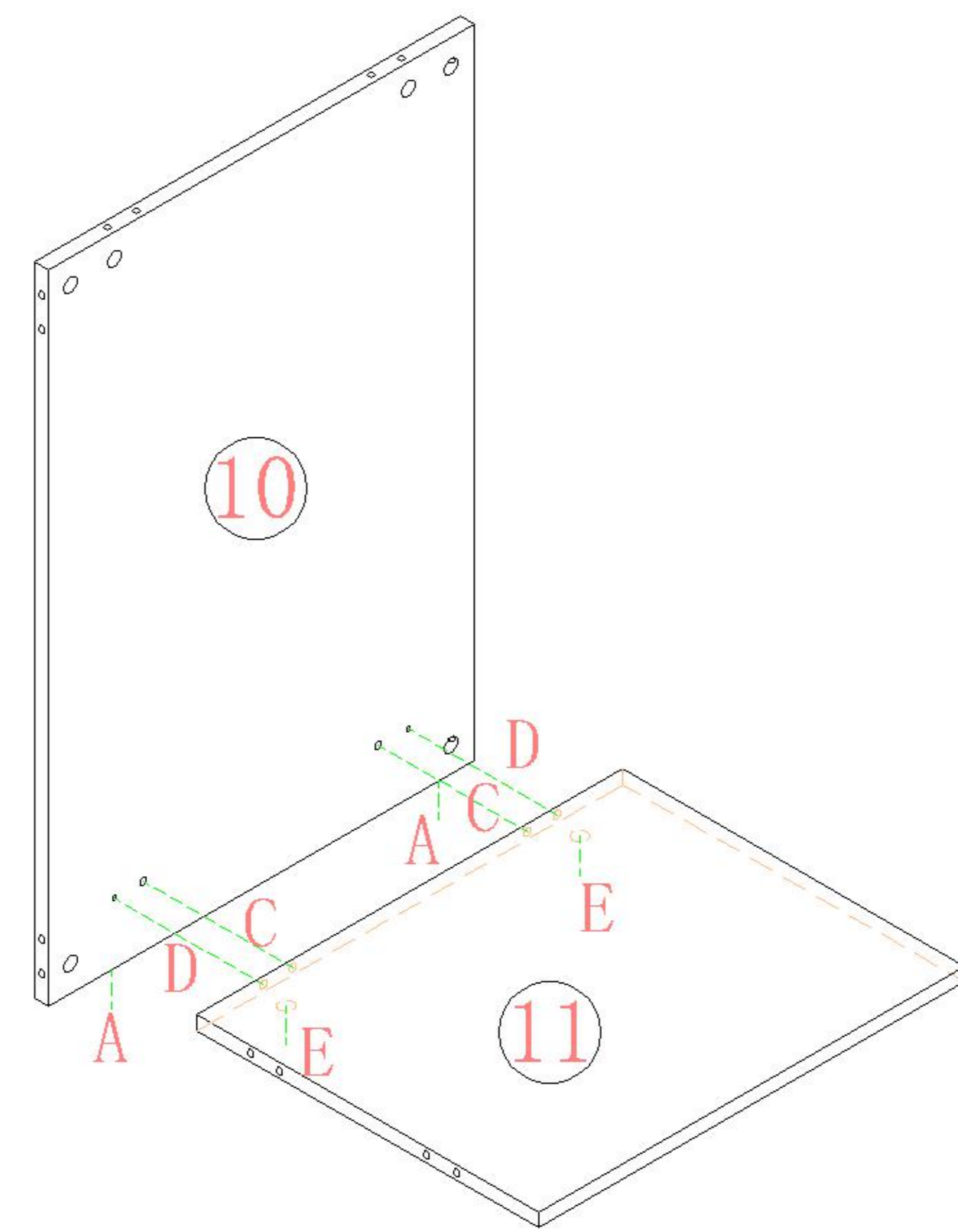


大二合一
two-in-one

- (A)*4
- (C)*4
- (D)*6
- (E)*6

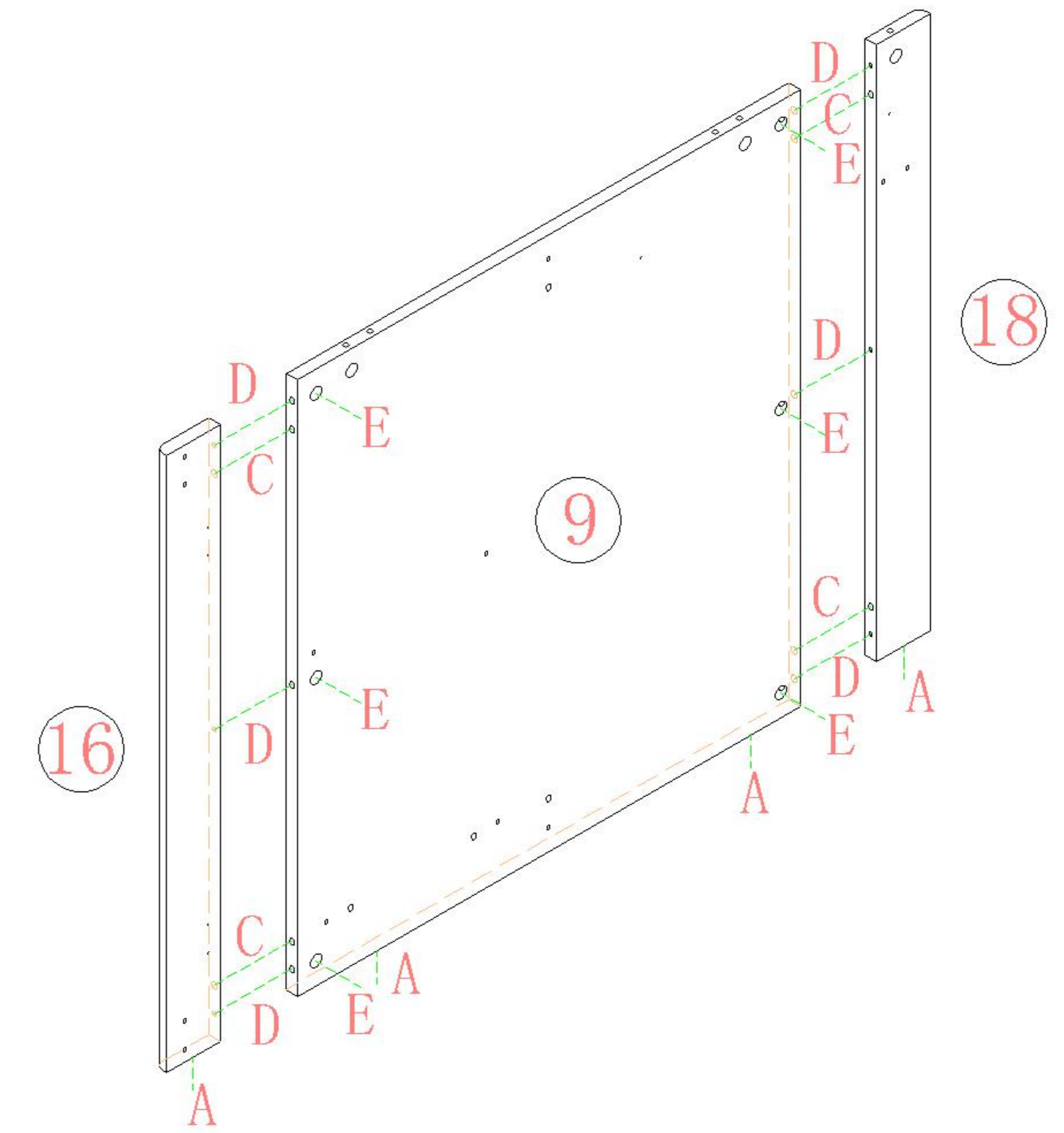


- (A)*2
- (C)*2
- (D)*2
- (E)*2



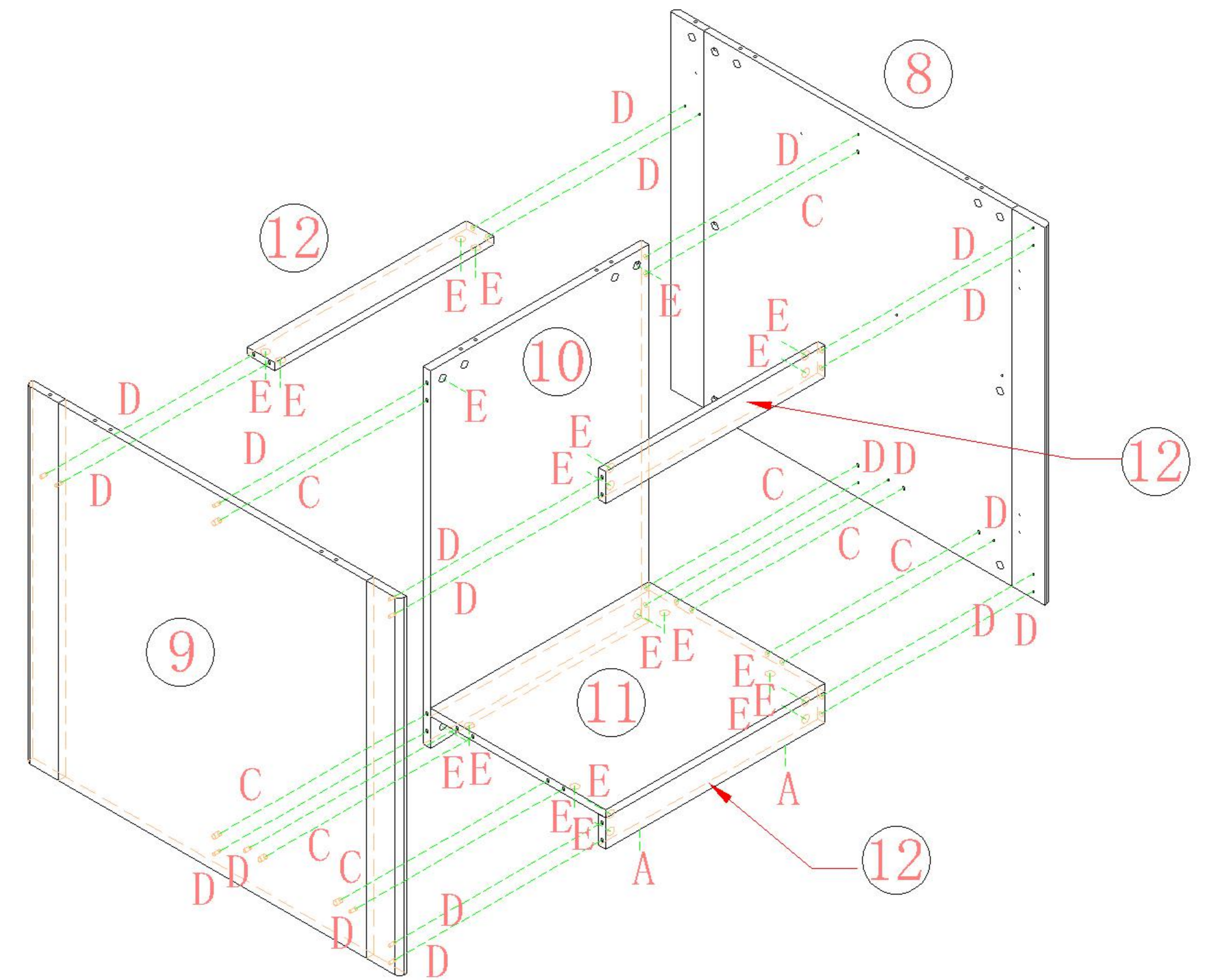
9

- (A)*4
- (C)*4
- (D)*6
- (E)*6



11

- (A)*2
- (C)*8
- (D)*20
- (E)*20



10

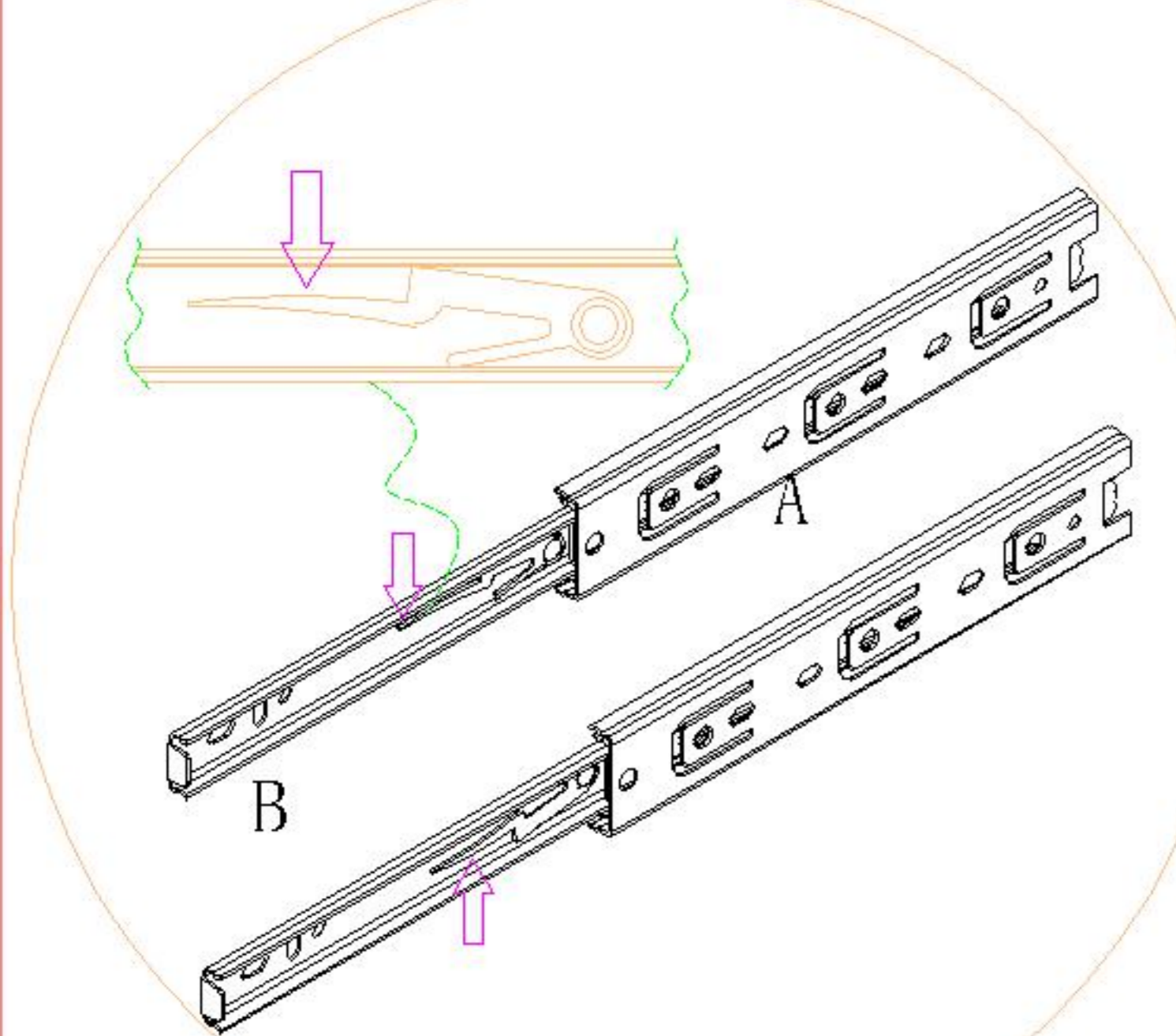
12

OU6R-A

安装方法/ Installation method

阀门开关(下压为开)
Valve switch
(press down to open)

1

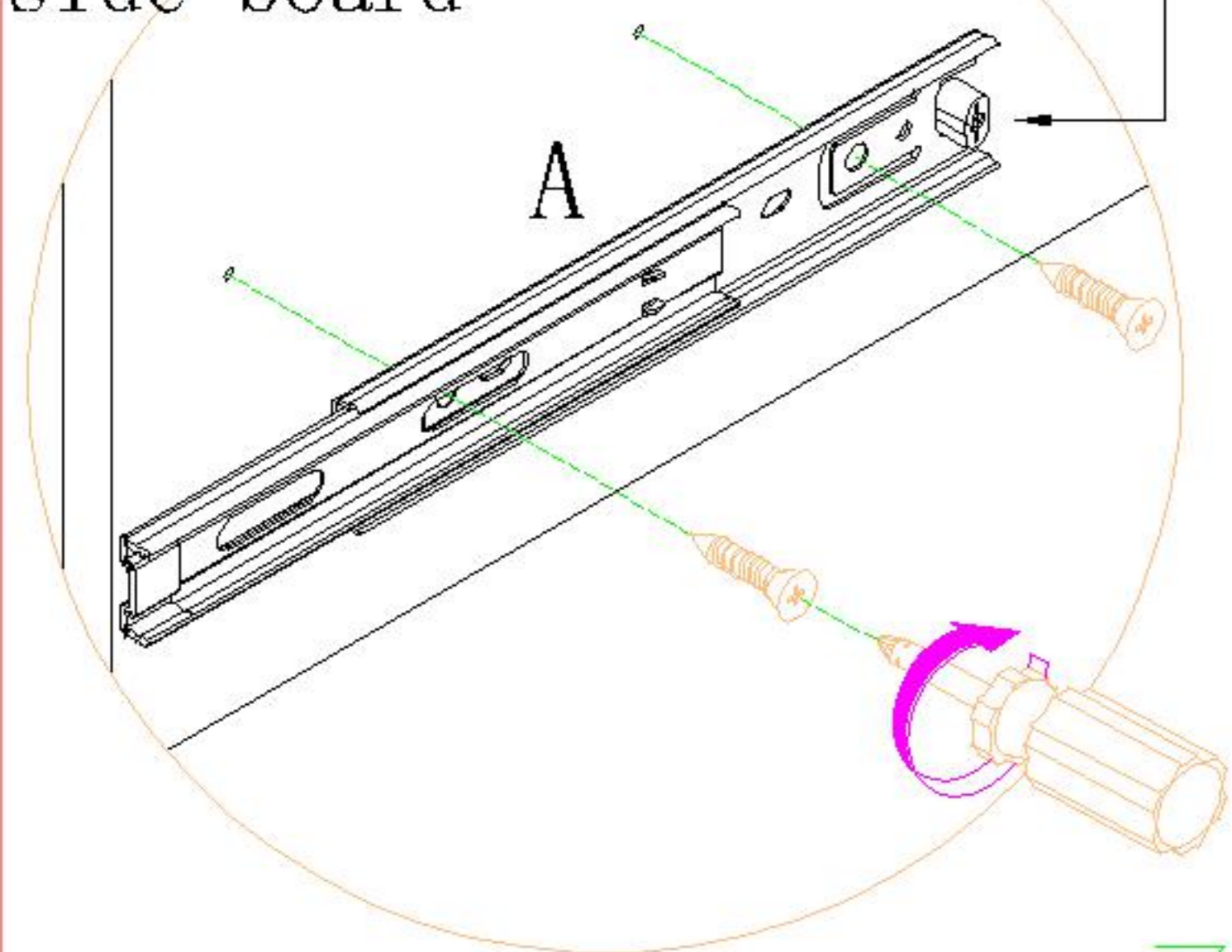


注: 先将A与B拆下来
Note: remove a and B first

侧板
side board

后after

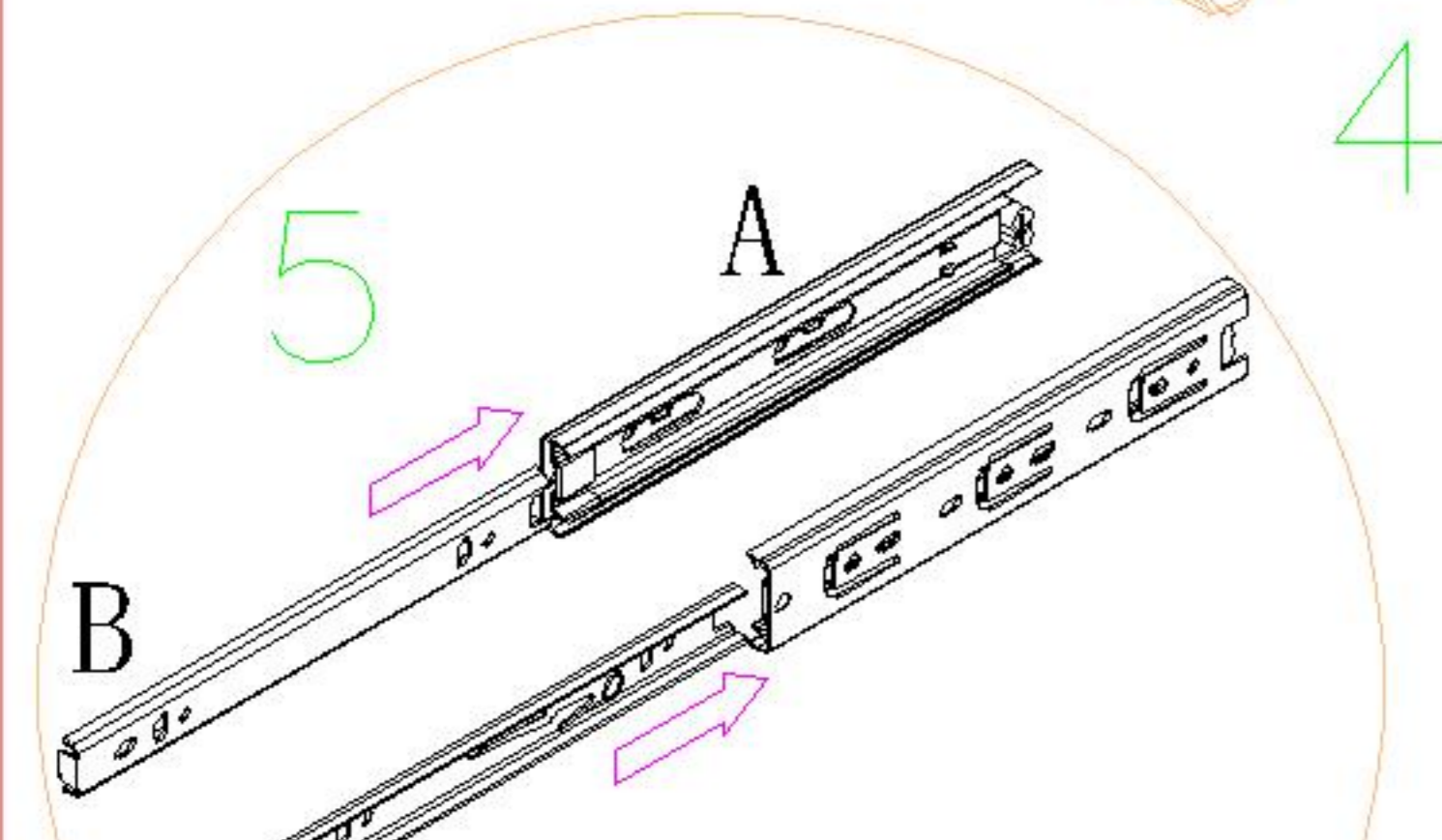
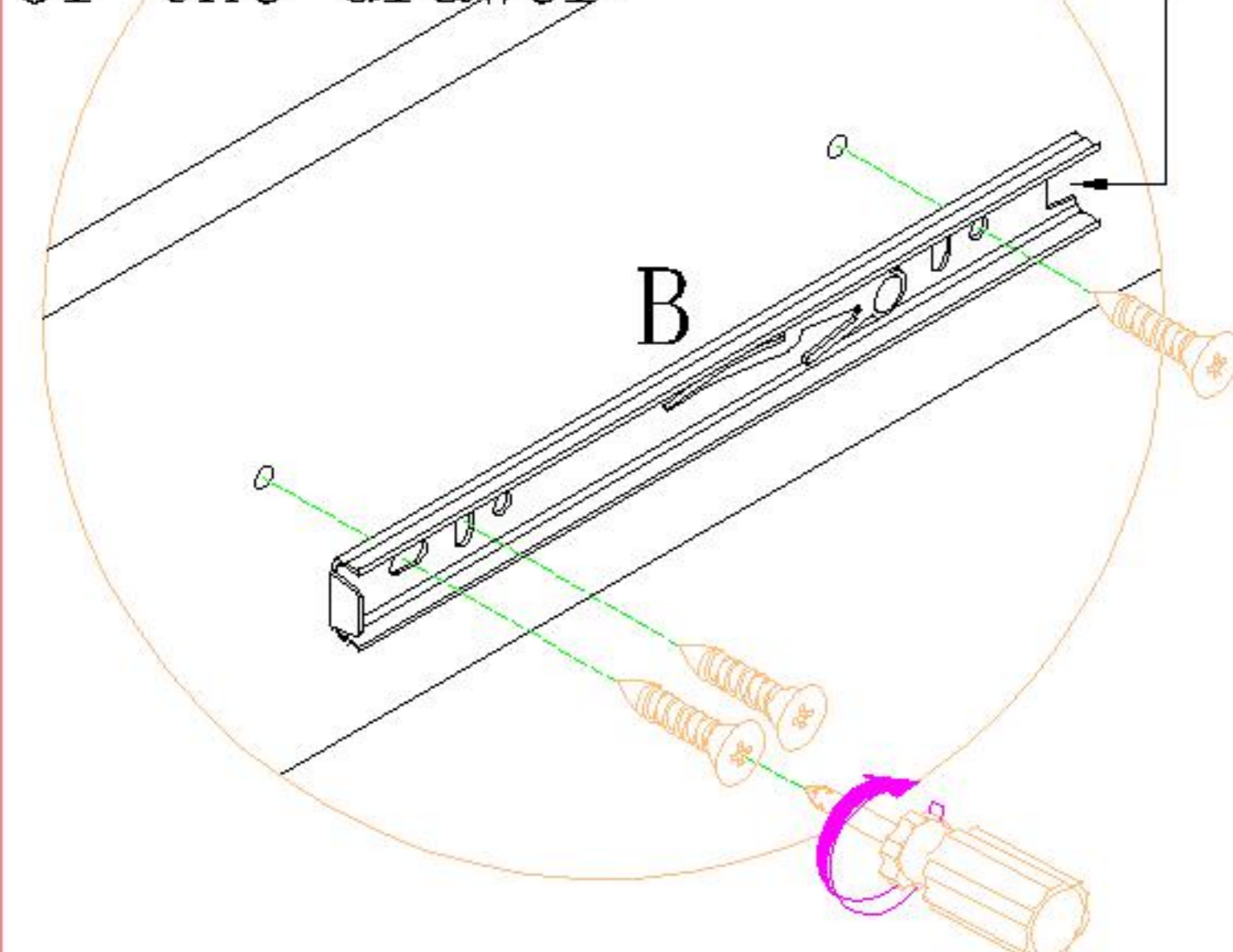
2



抽屉侧板
sideboard
of the drawer

后after

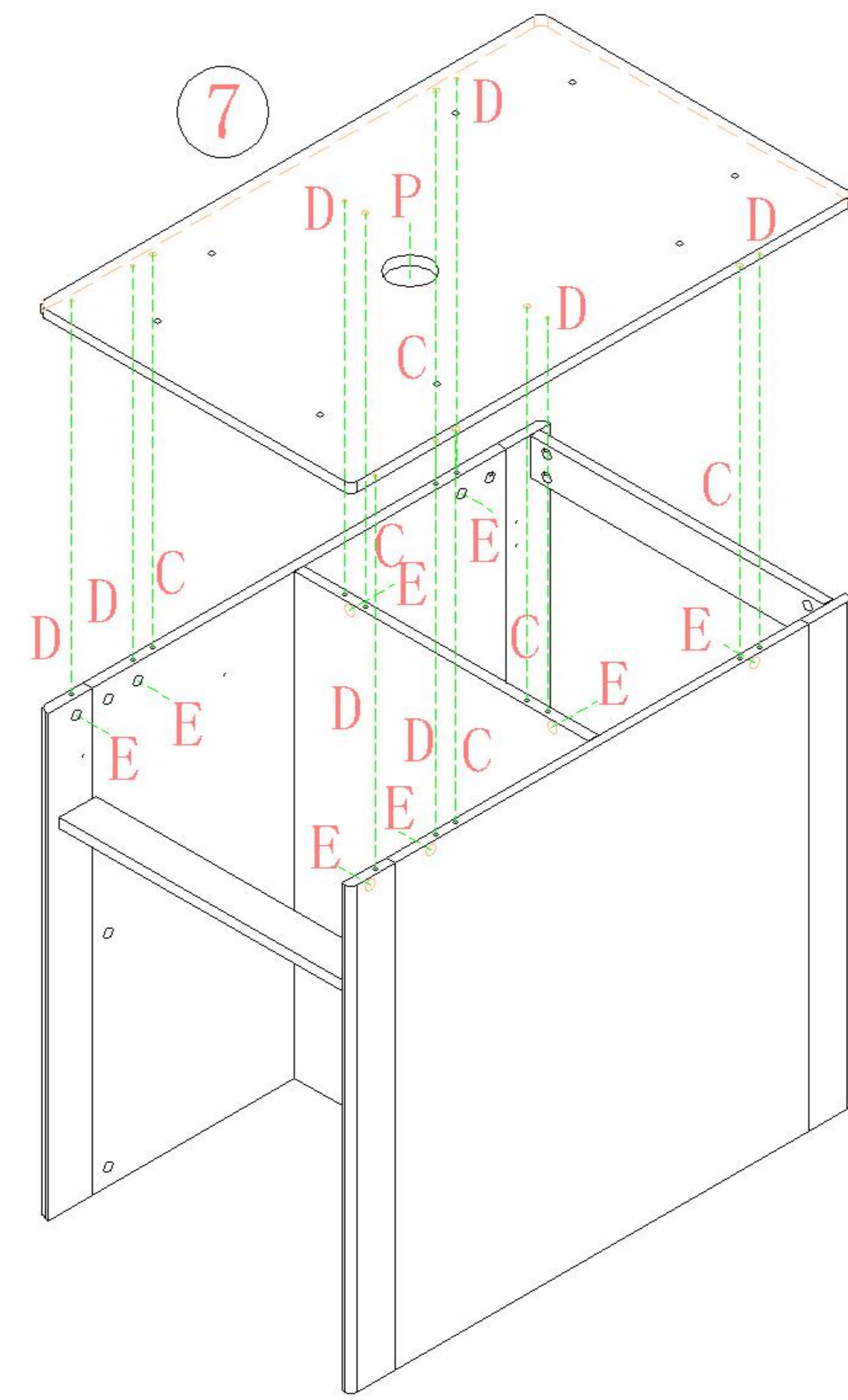
3



注: 将B对准A后推进去
Note: align B with a
and push it in

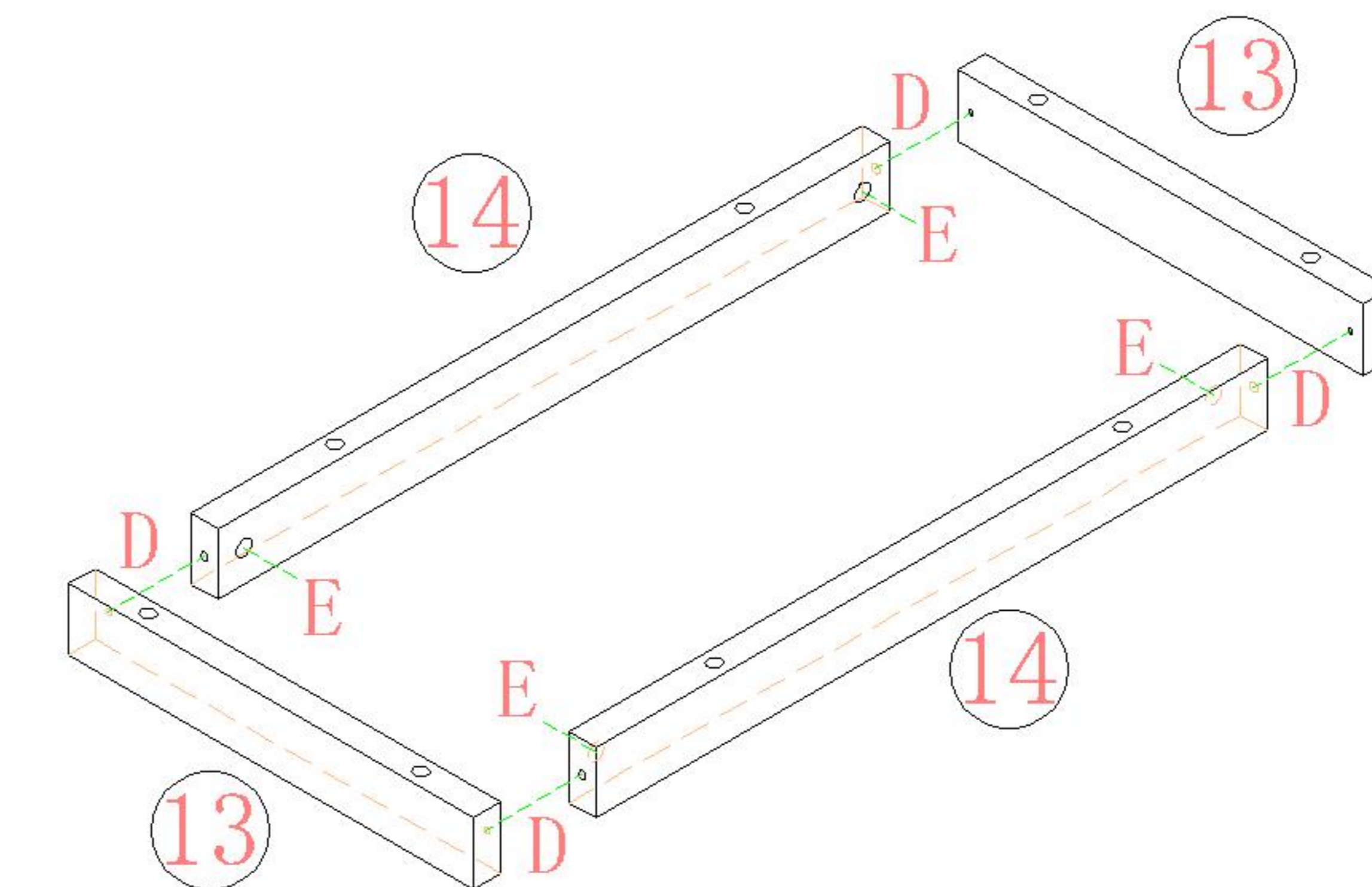
三节滚珠导轨
three-section ball rail

- (C) *6
- (D) *8
- (E) *8
- (P) *1



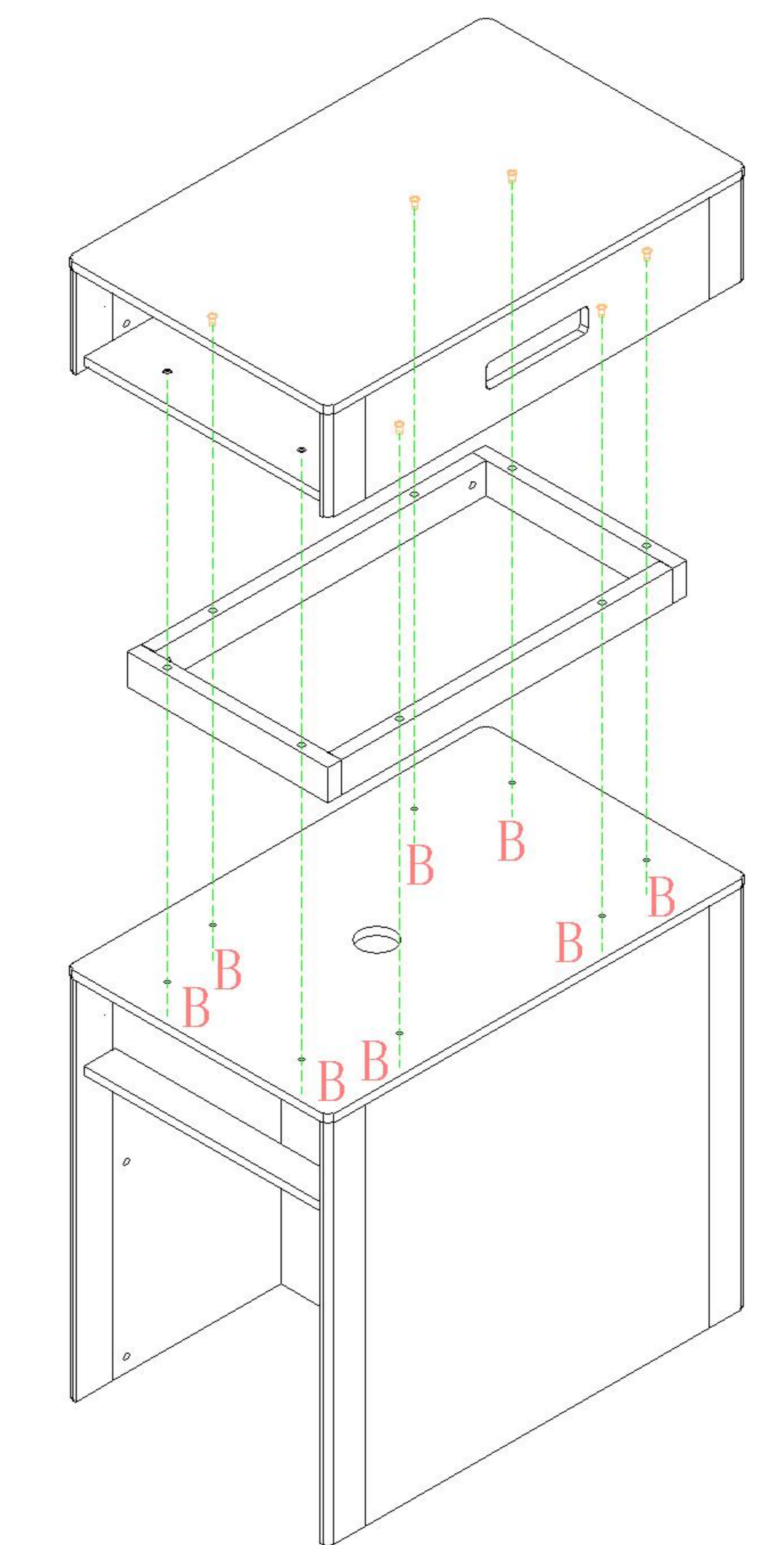
13

- (D) *4
- (E) *4



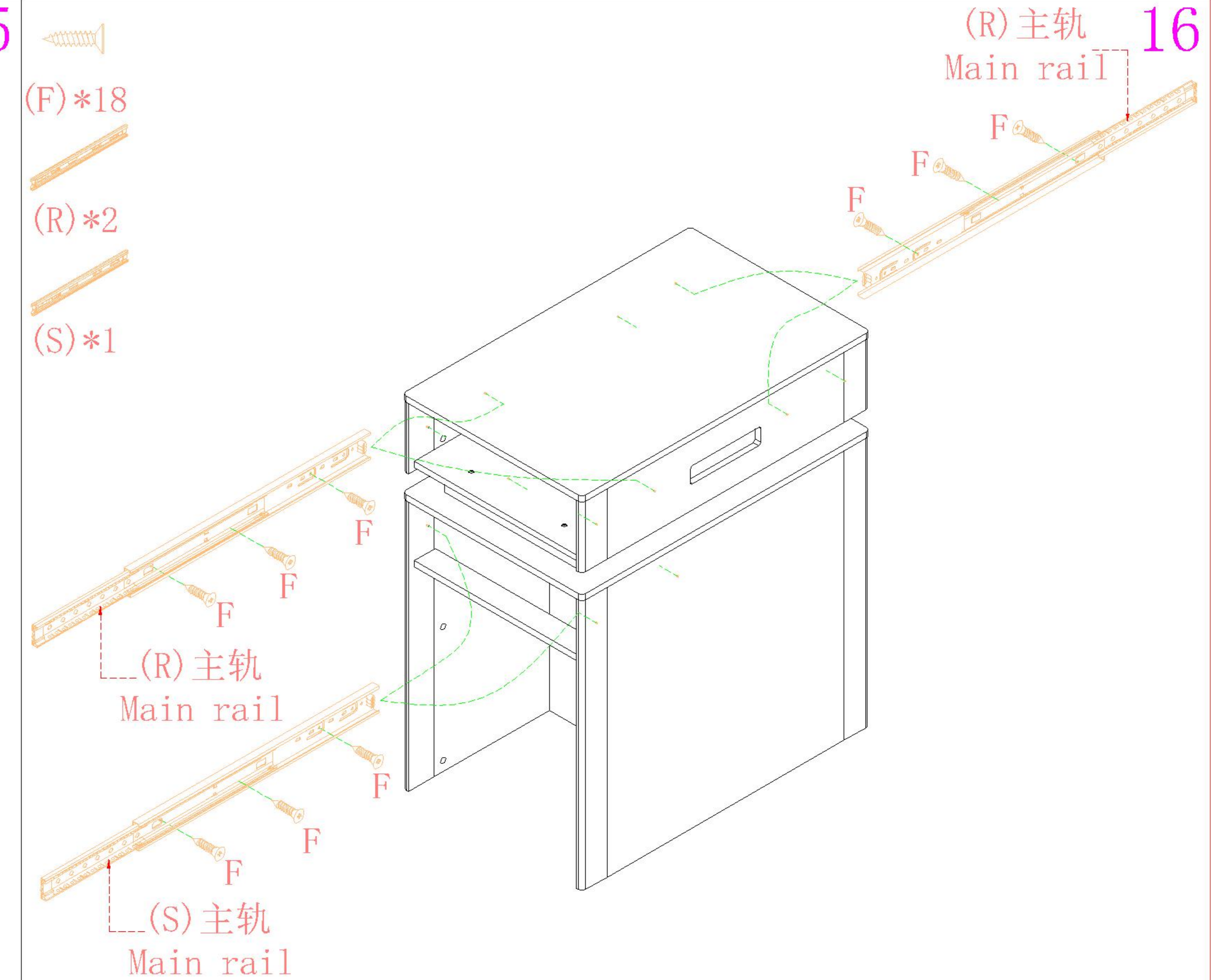
14

- (B) *8



15

- (F) *18
- (R) *2
- (S) *1



16

OU6R-A

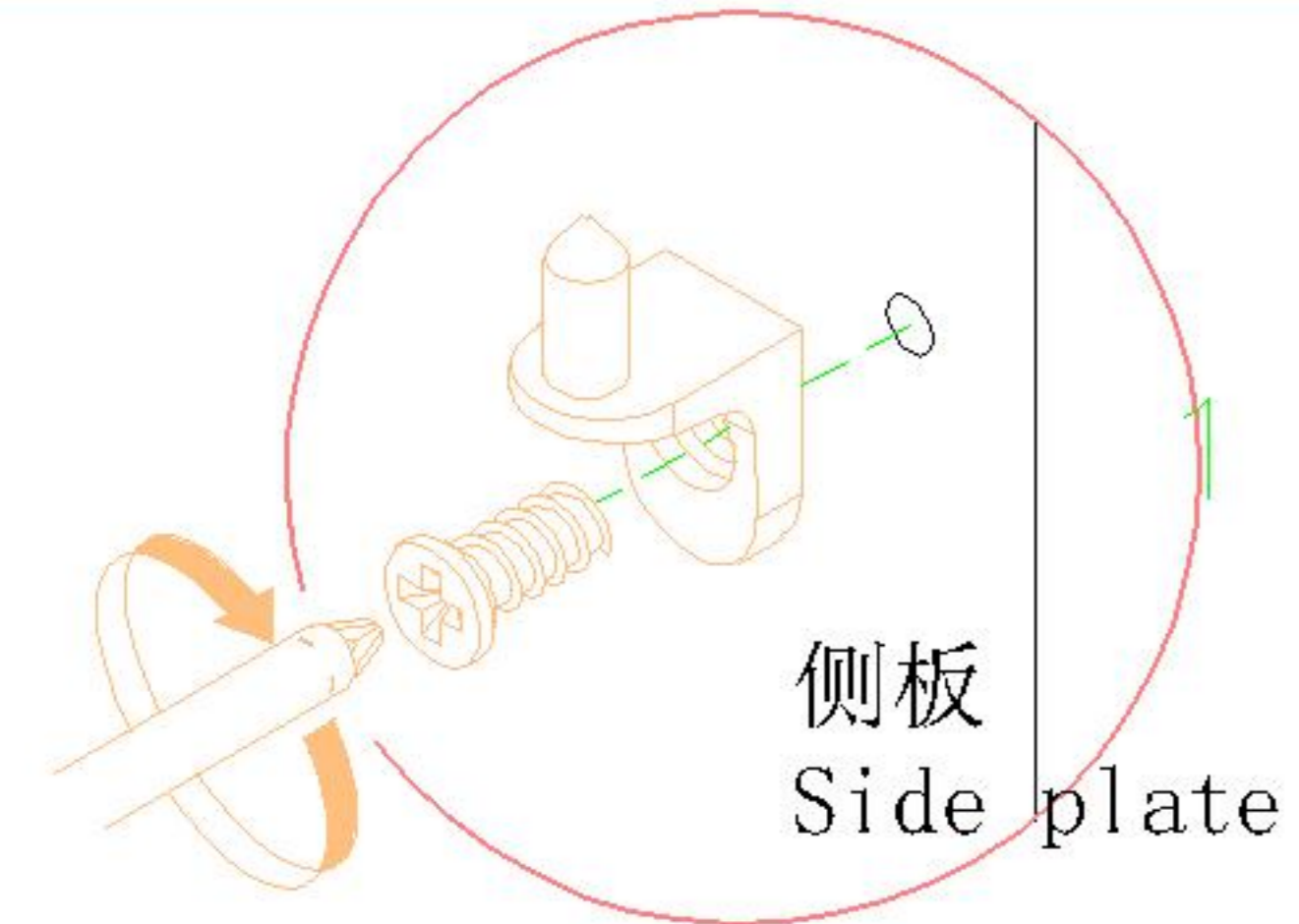


(L)*4

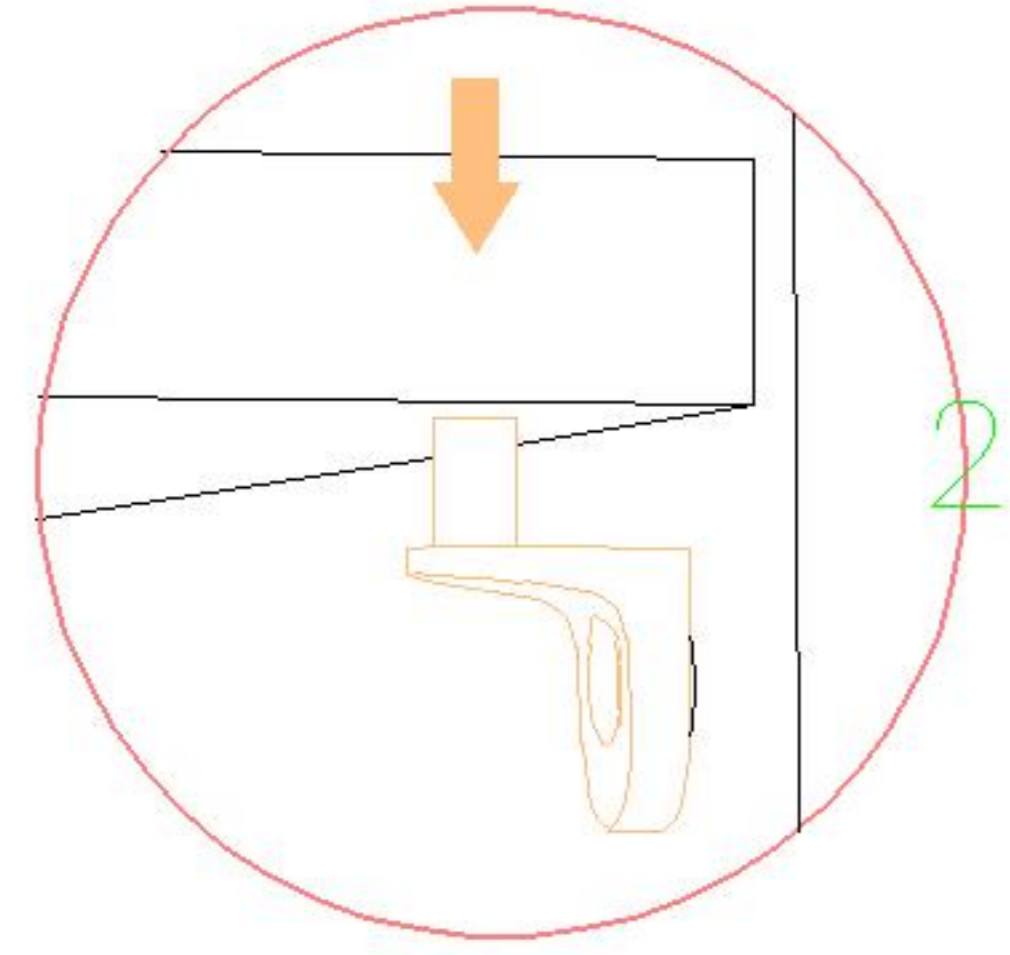
17

18

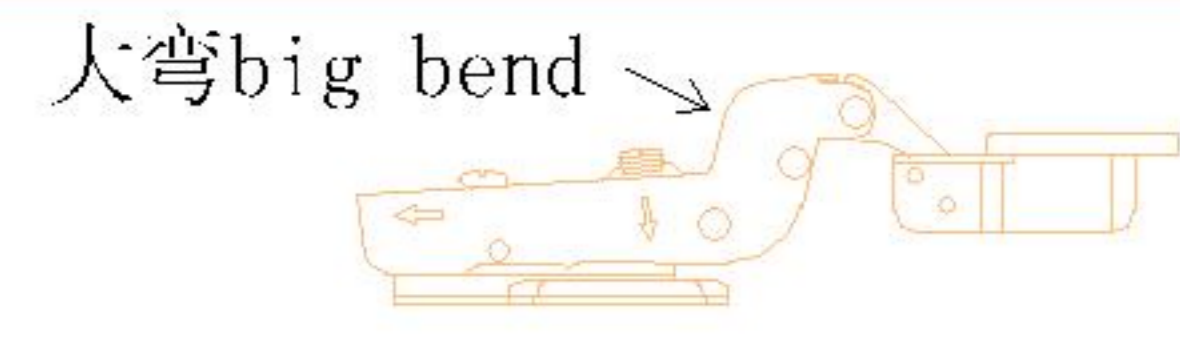
安装方法/
Installation method



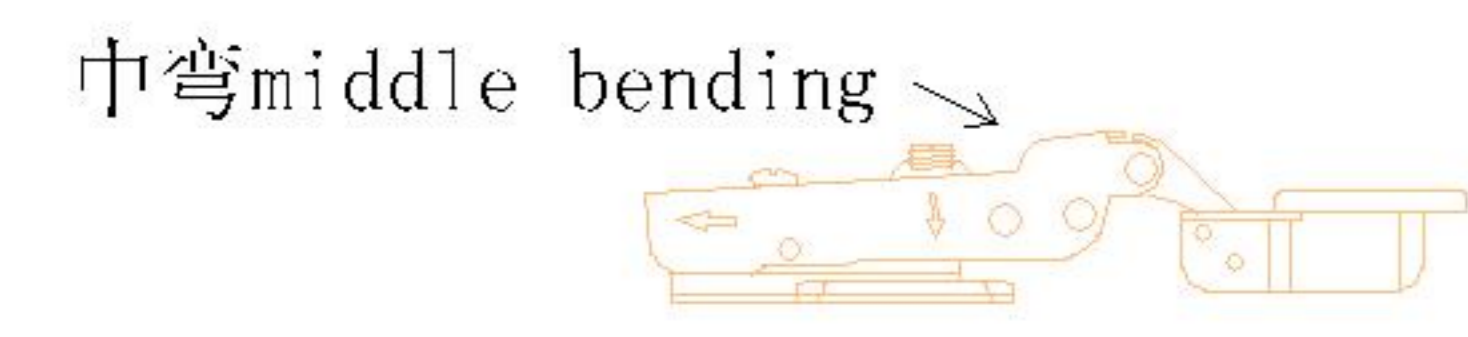
侧板
Side plate



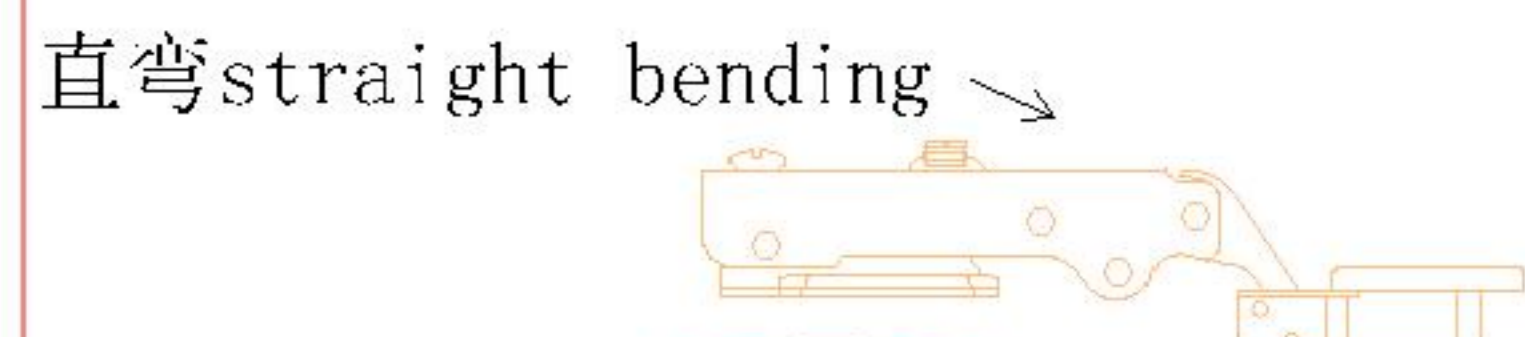
层板托
shelf support



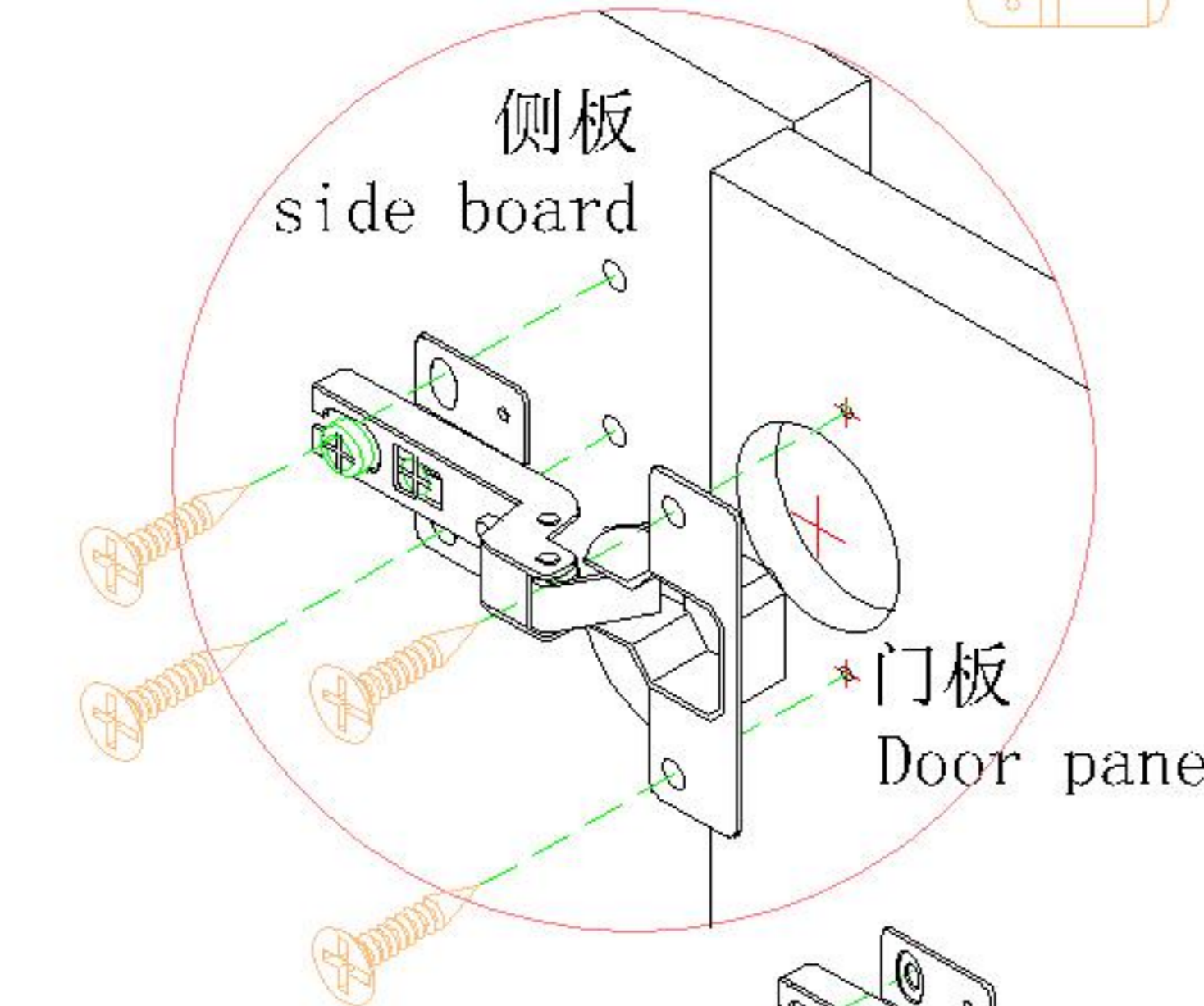
大弯big bend



中弯middle bending



直弯straight bending



侧板
side board

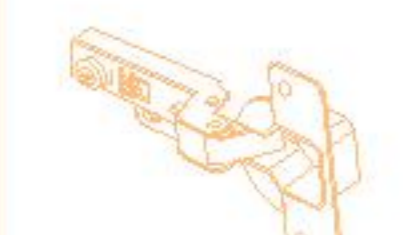
门板
Door panel

调节上下
Adjust up and down

调节左右
Adjust left and right

调节前后
Before and after adjustment

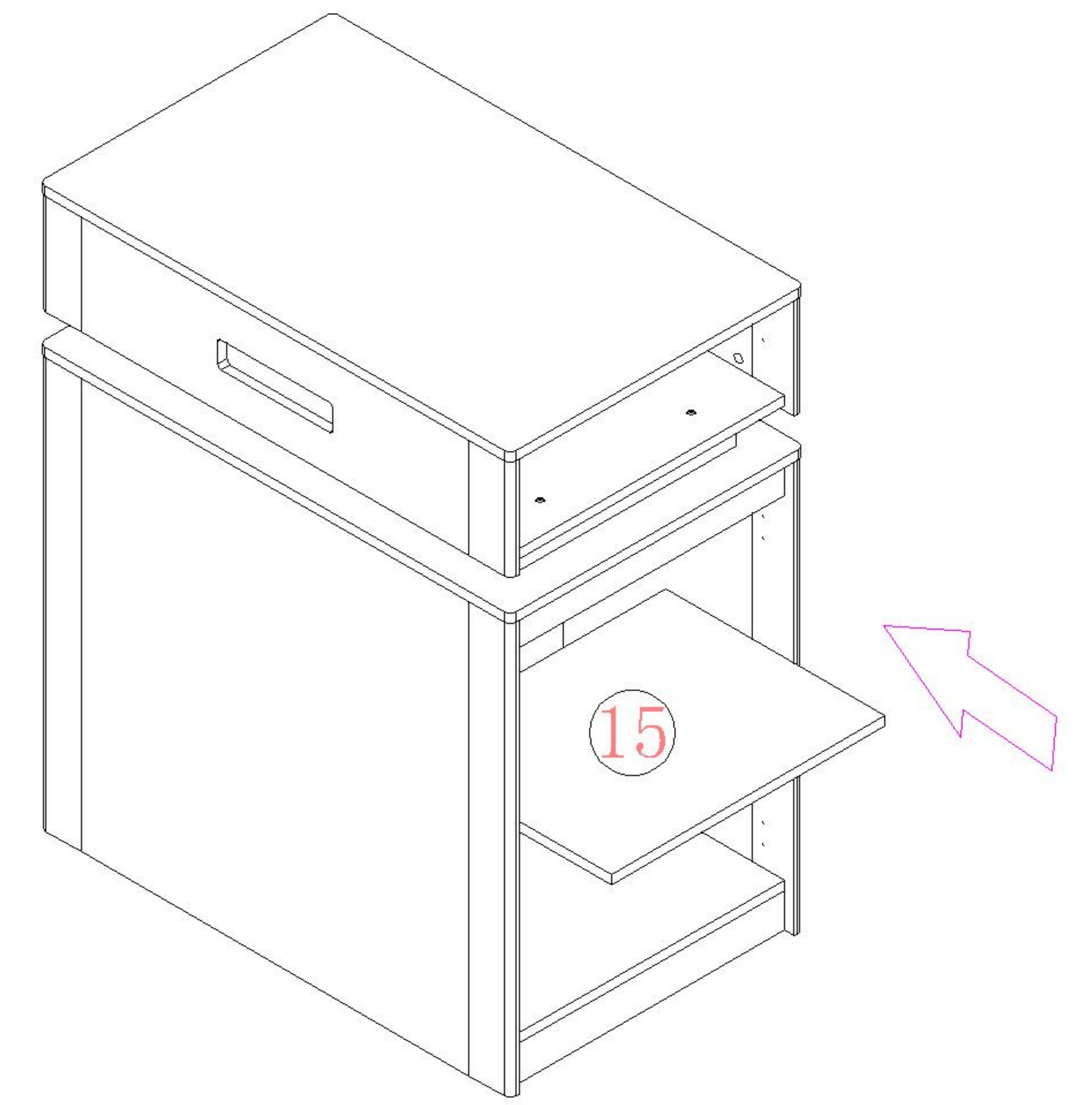
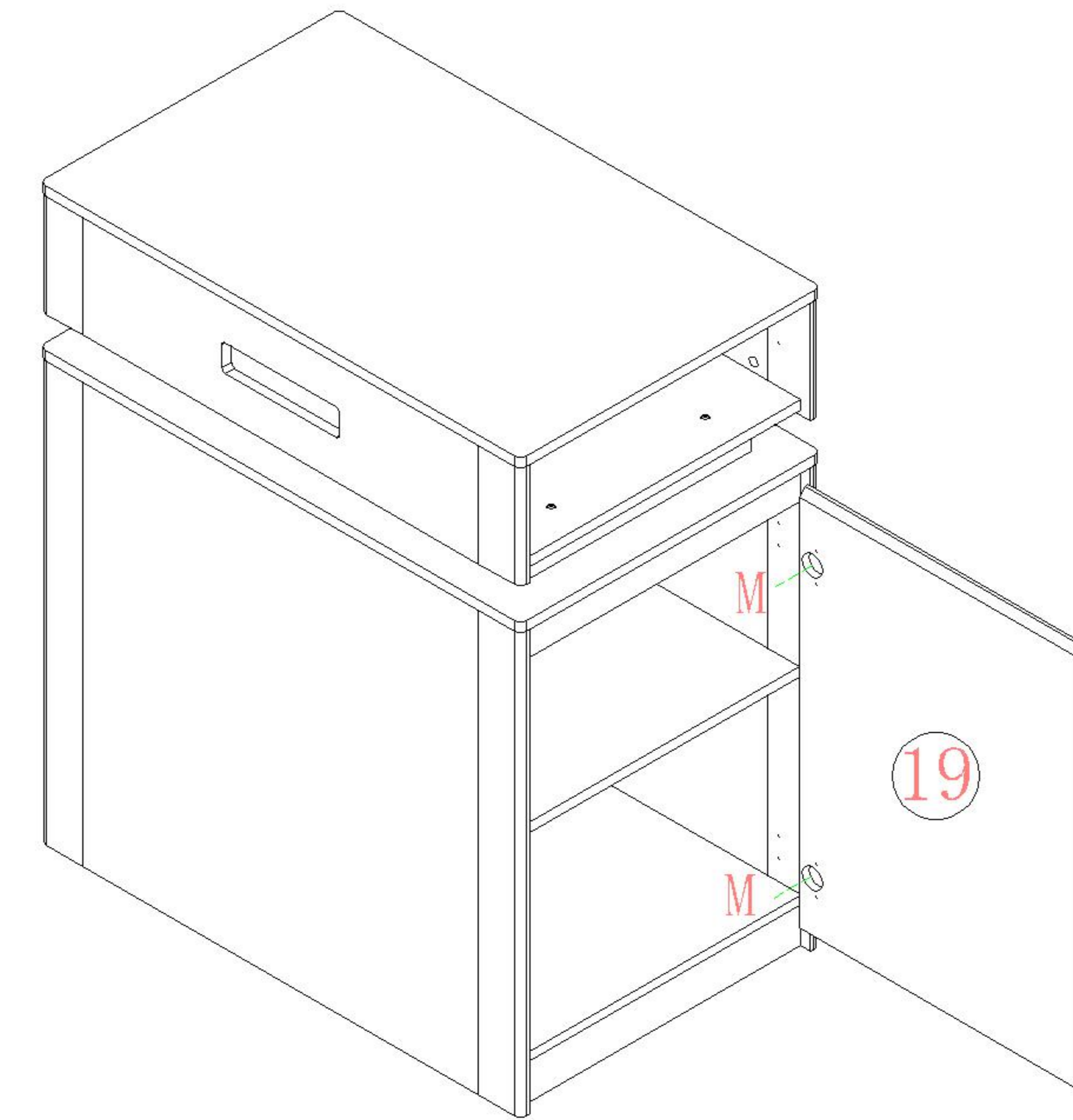
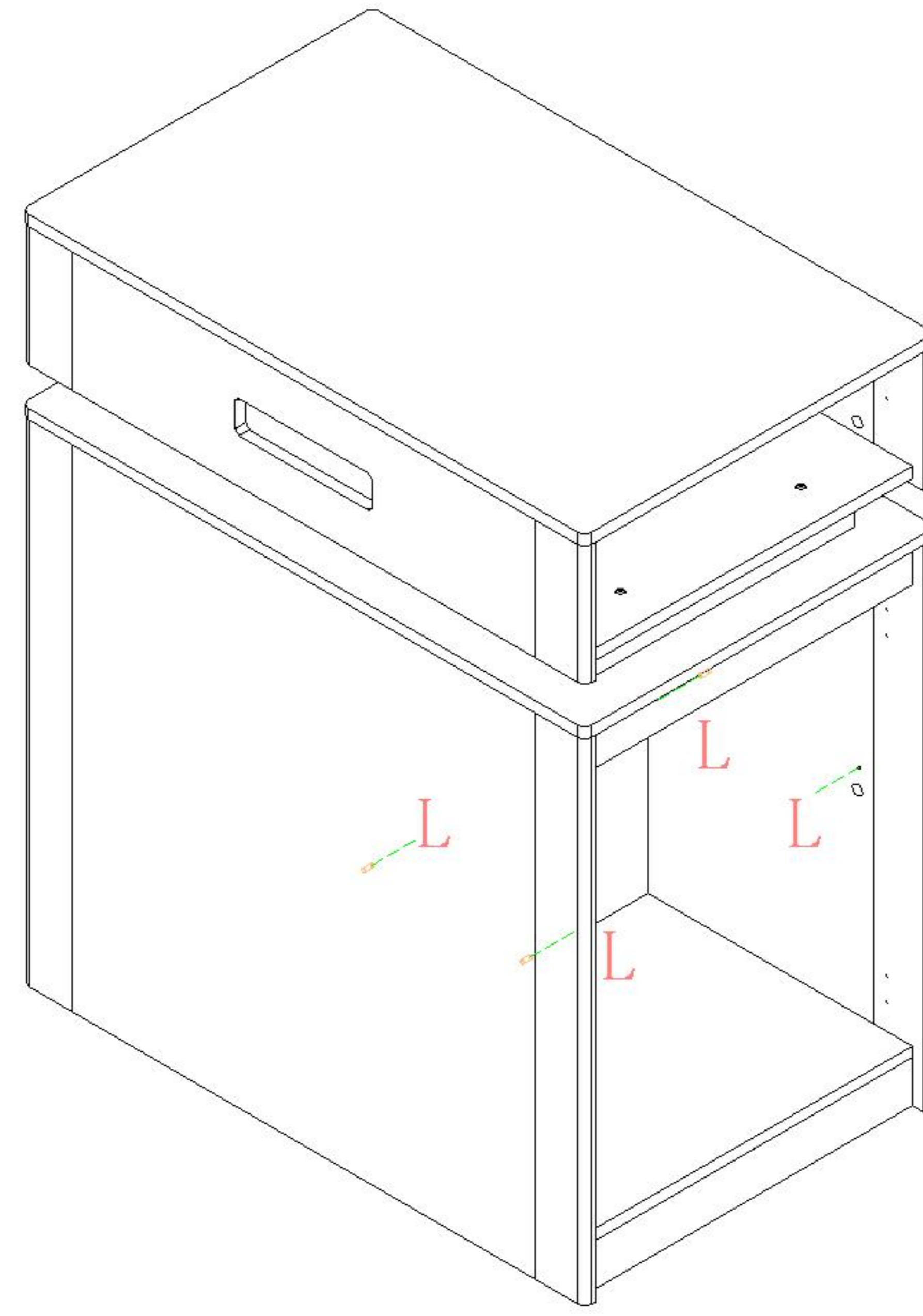
门铰
Hinge



(M)*2

19

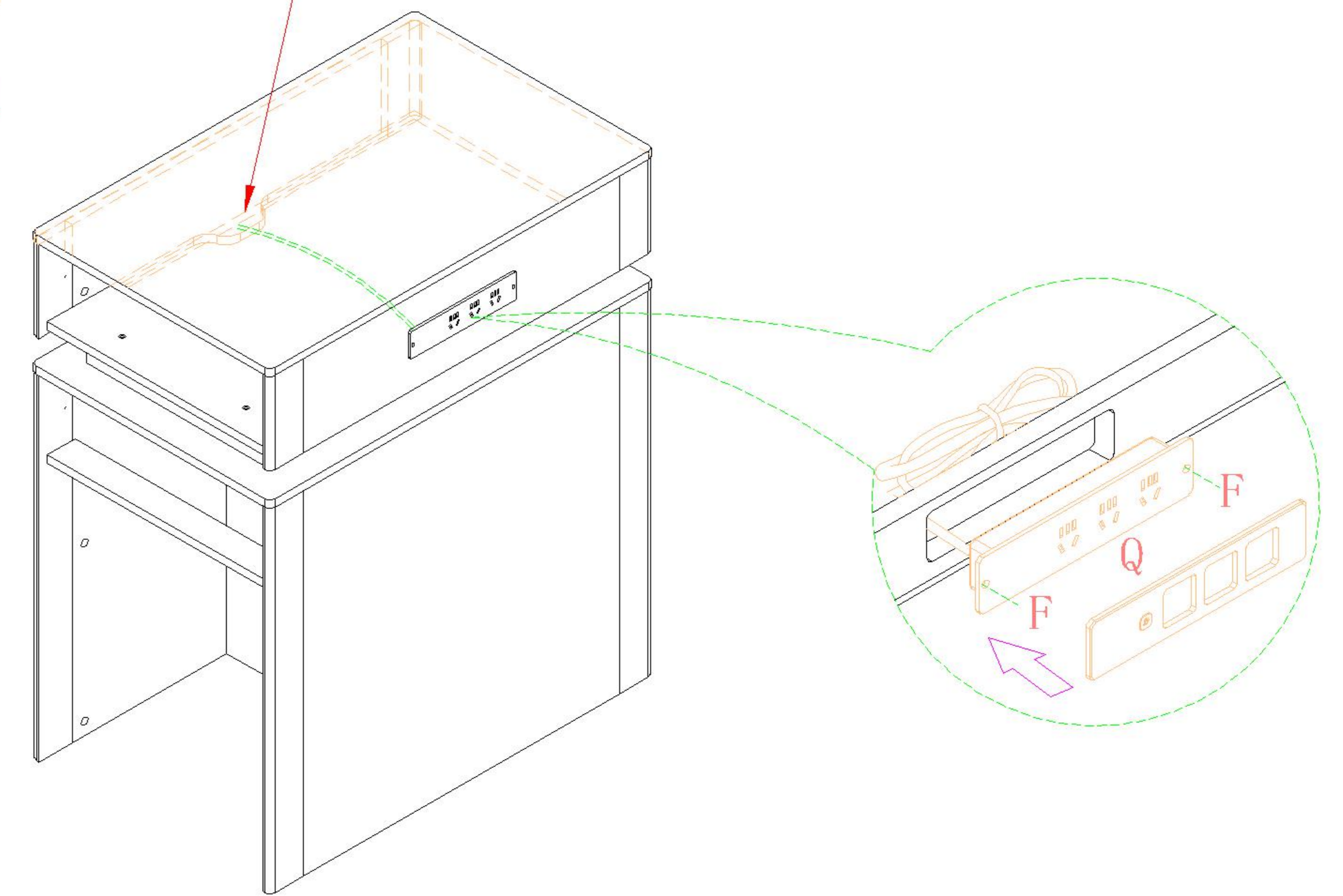
20



(F)*2

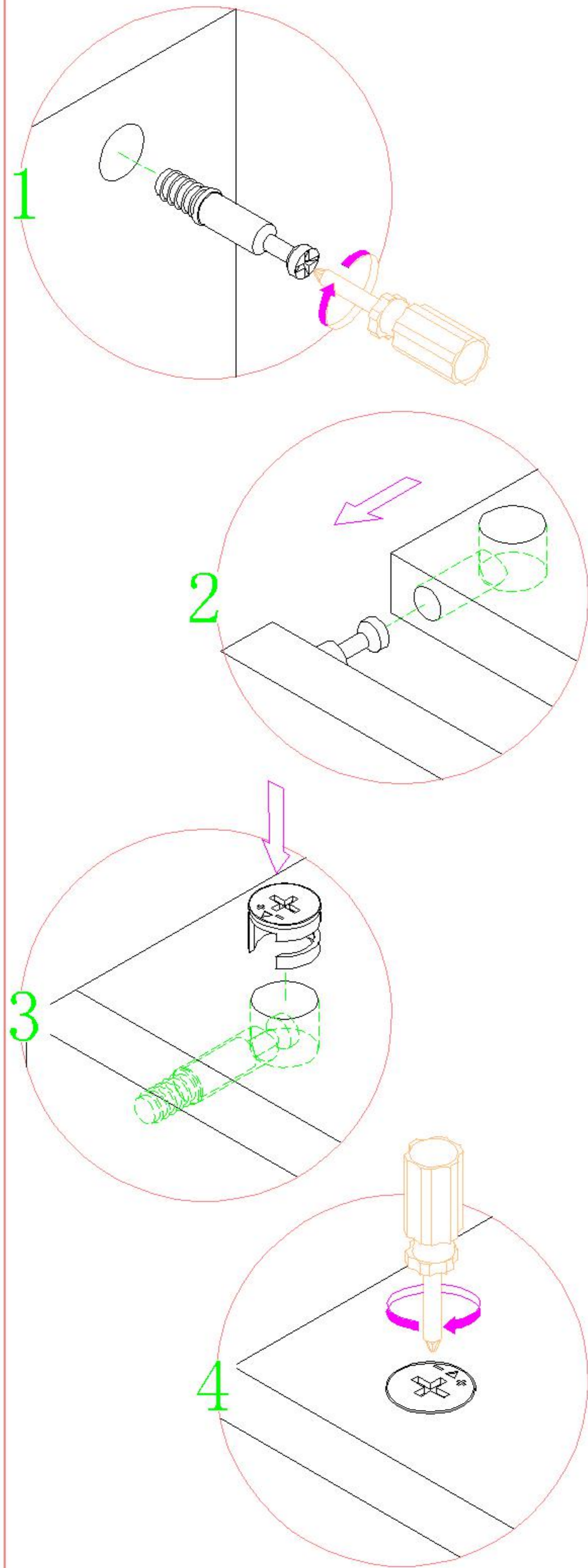
(Q)*1

此处过插座线
Pass through the
socket cable here

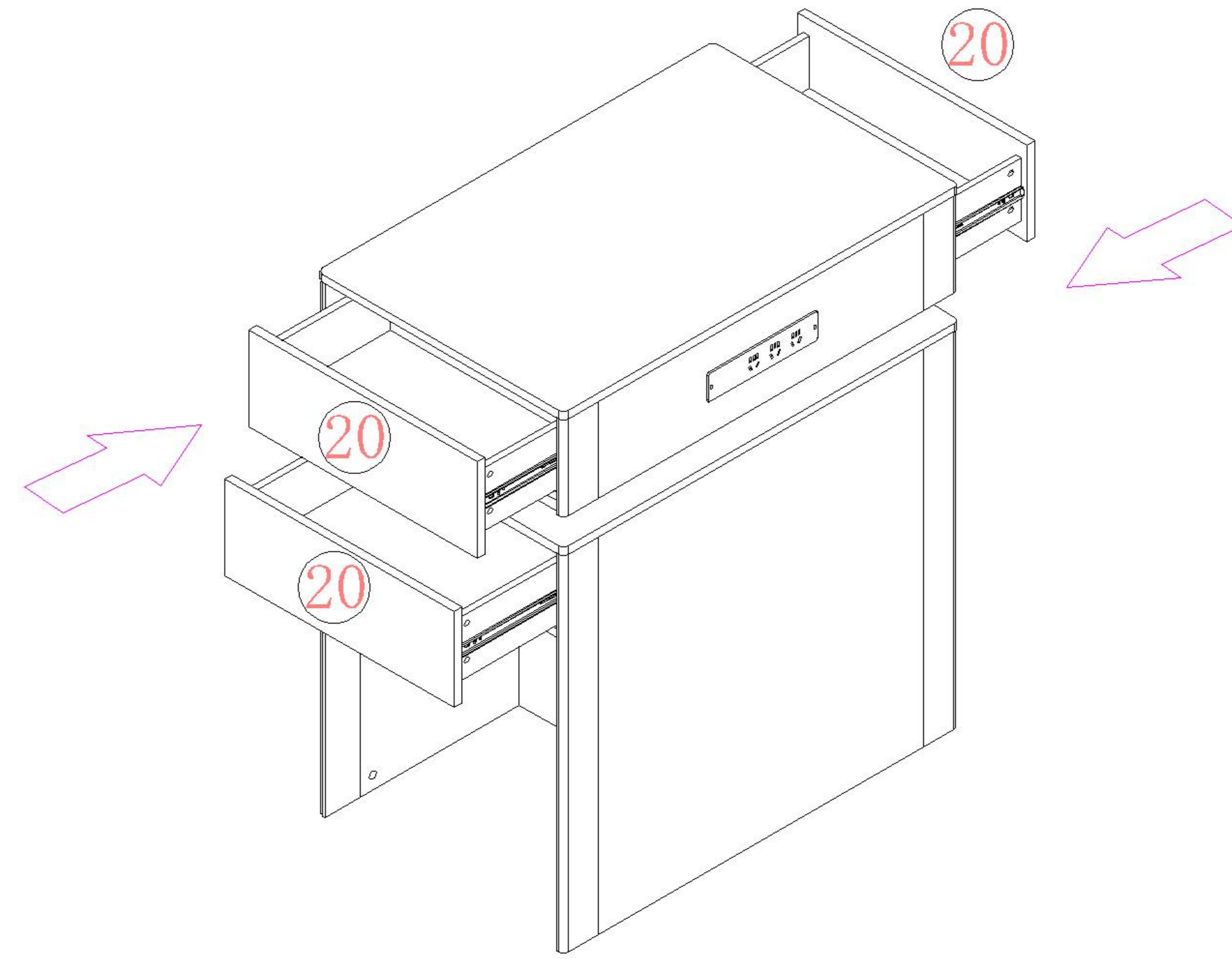


OU6R-A

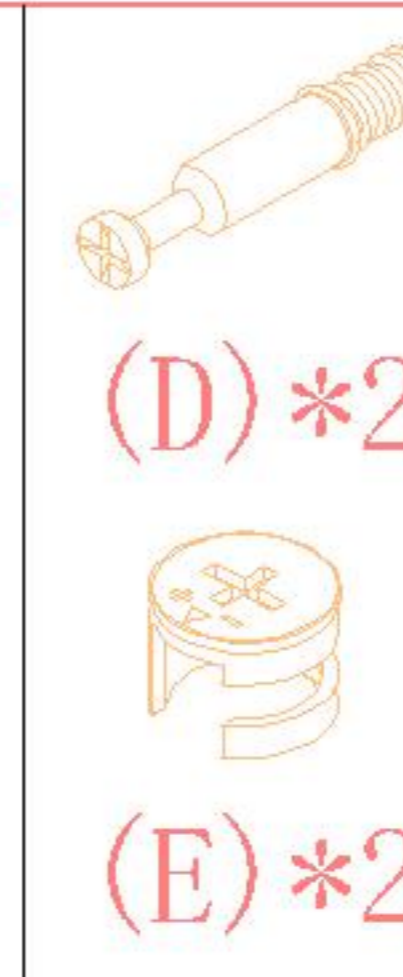
安装方法/
Installation method



大二合一
two-in-one



21

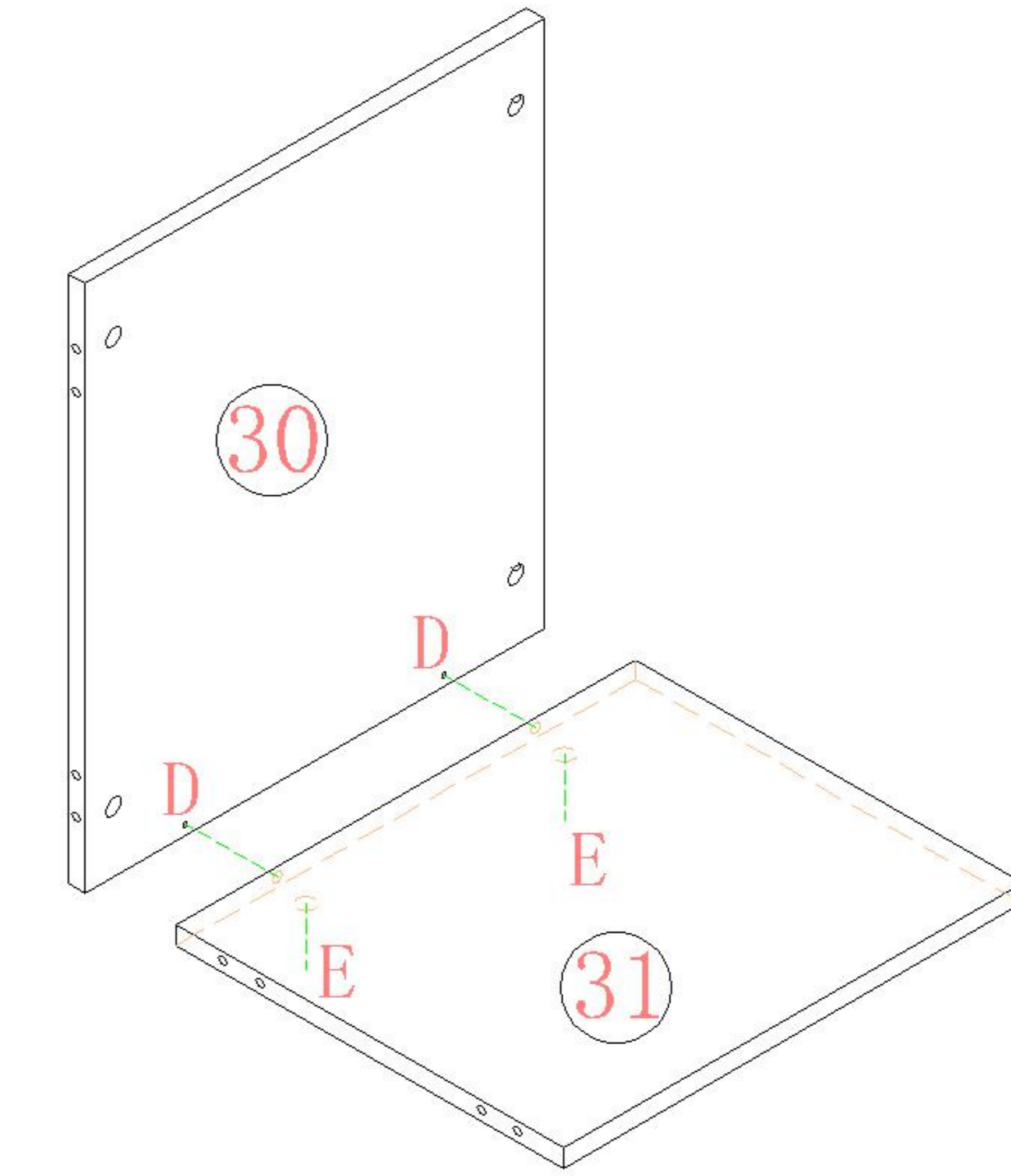


(D)*2



(E)*2

22



23

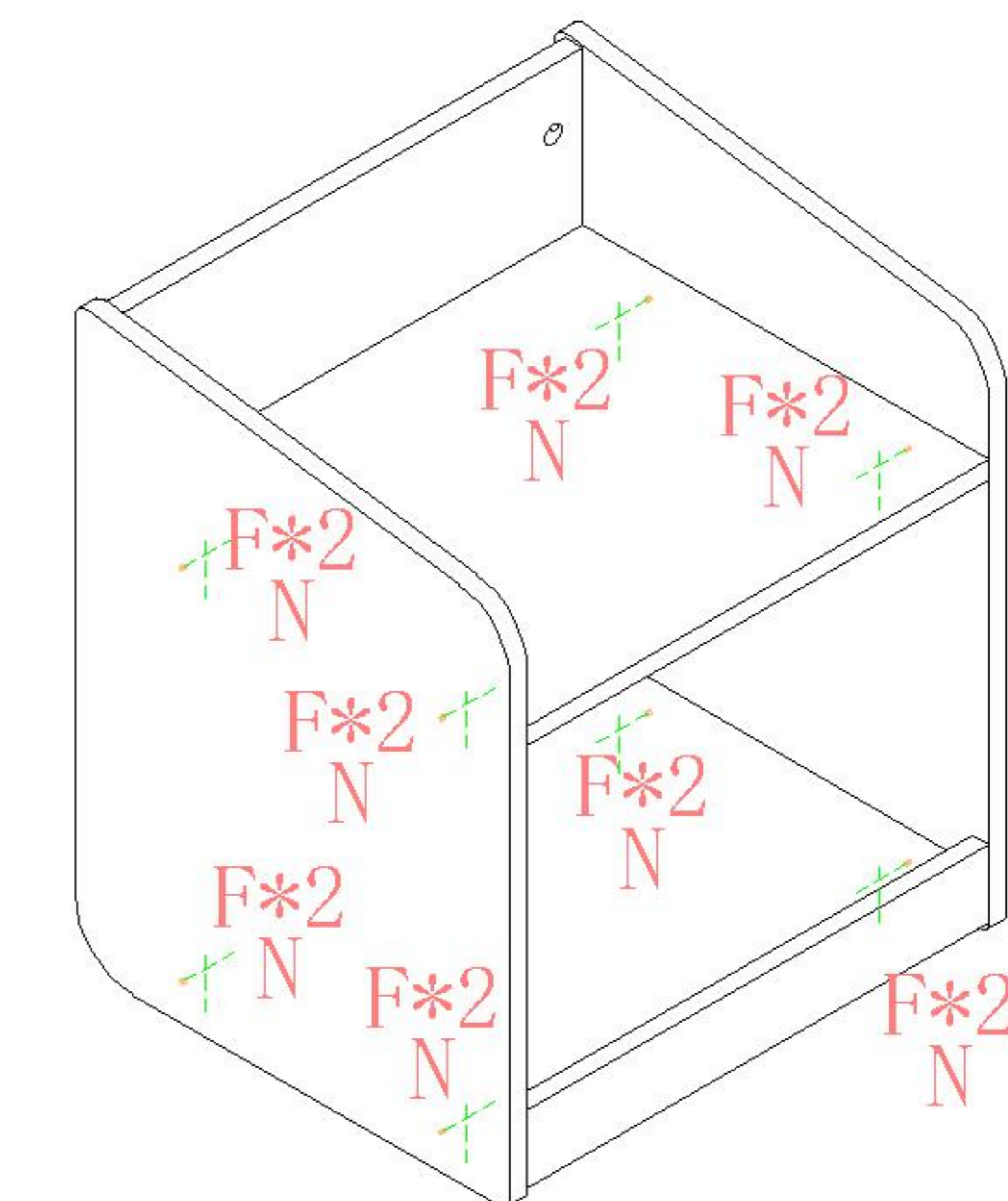
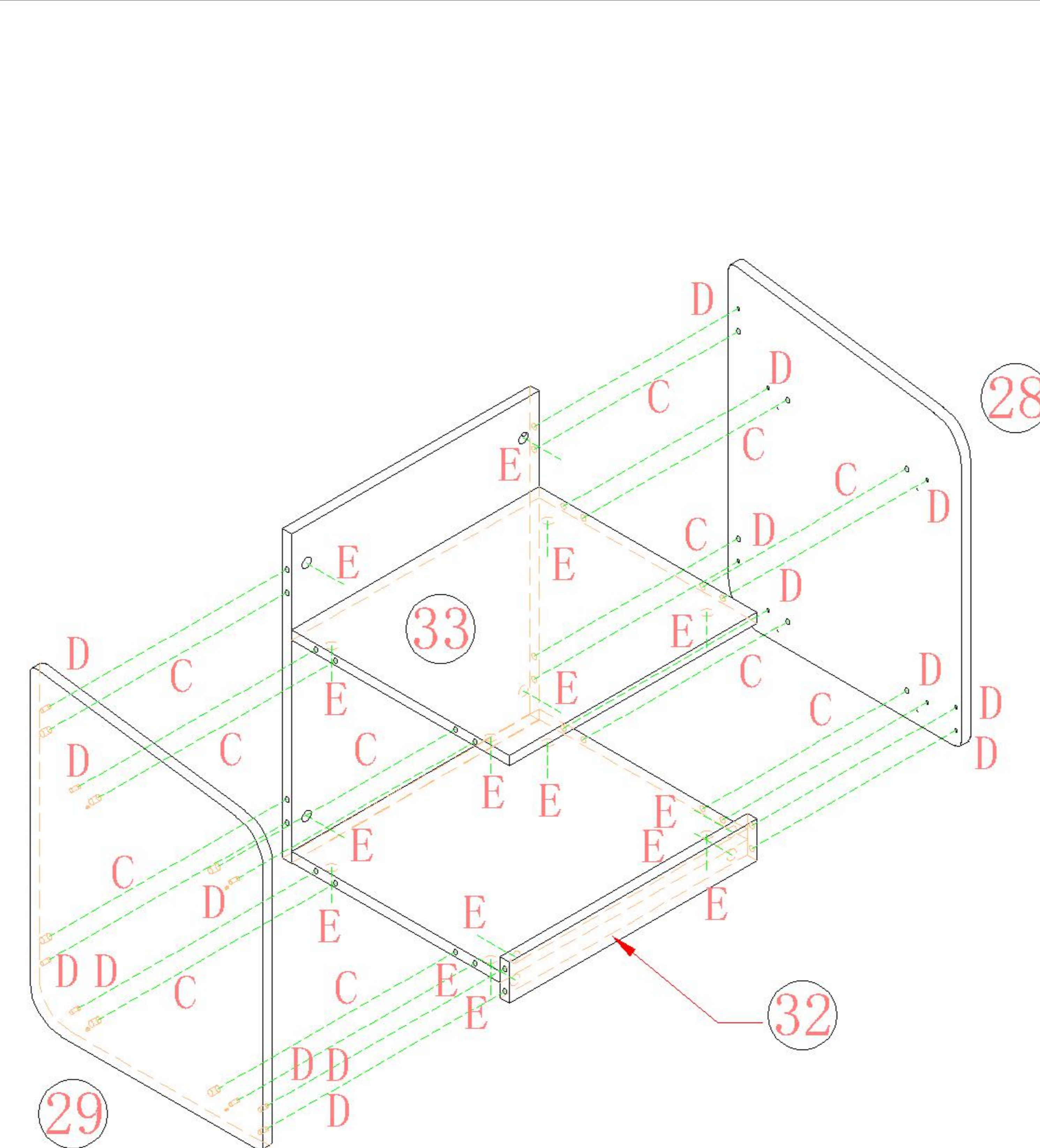


(F)*16



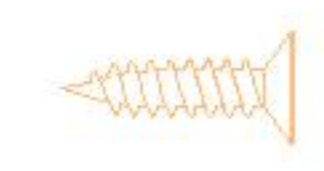
(N)*8

24



OU6R-A

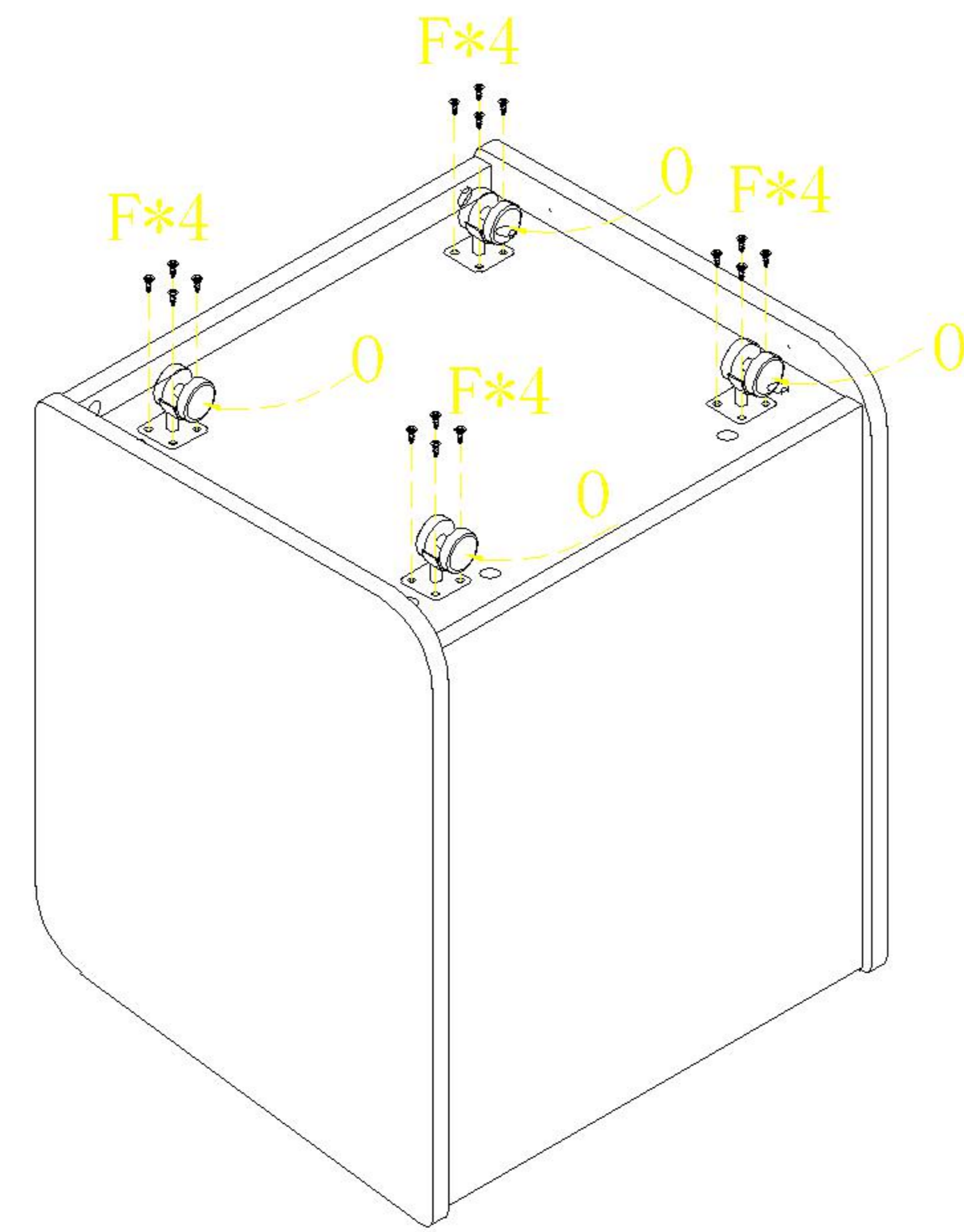
安装方法/
Installation method



(F)*16

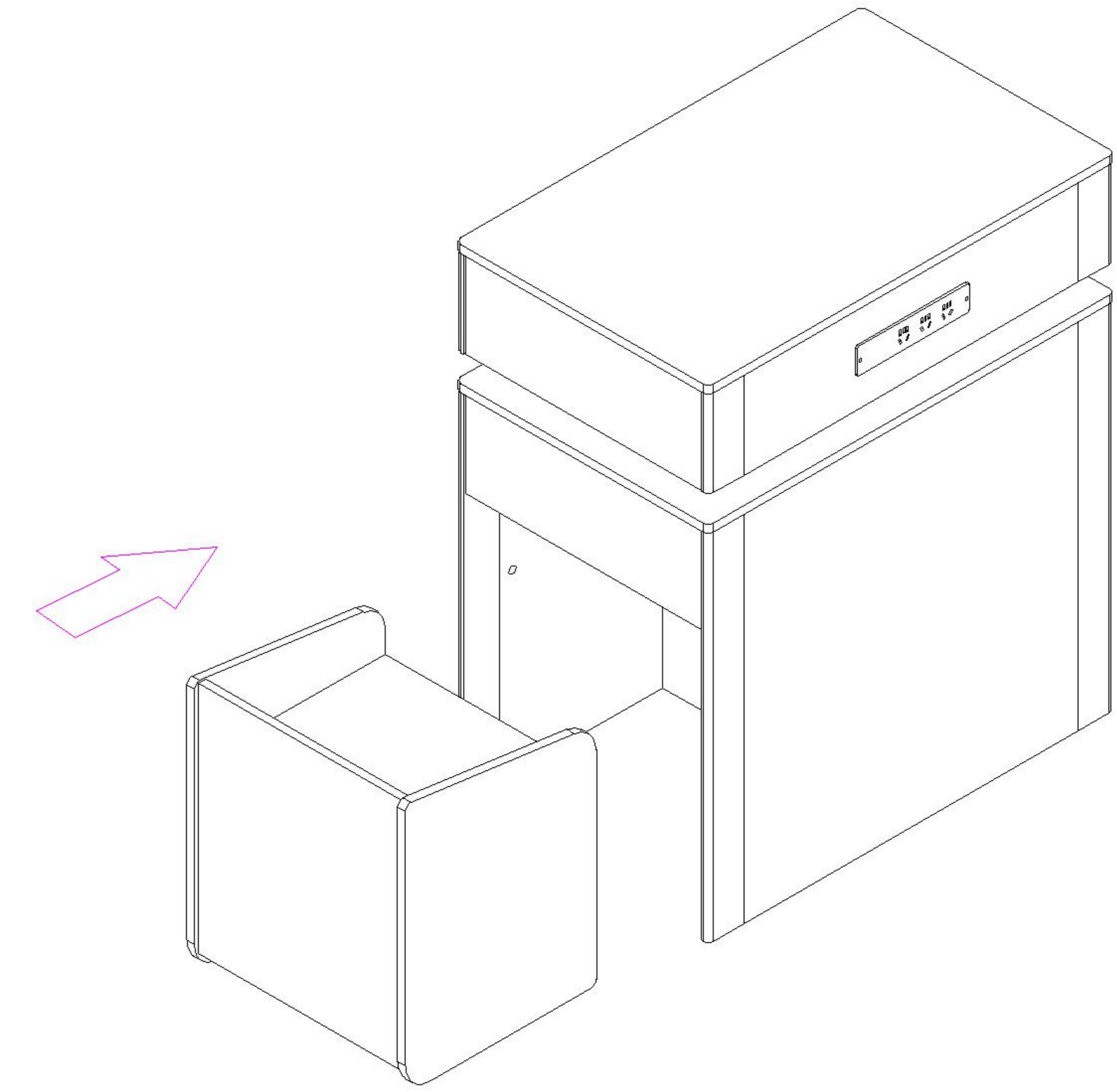


(O)*4

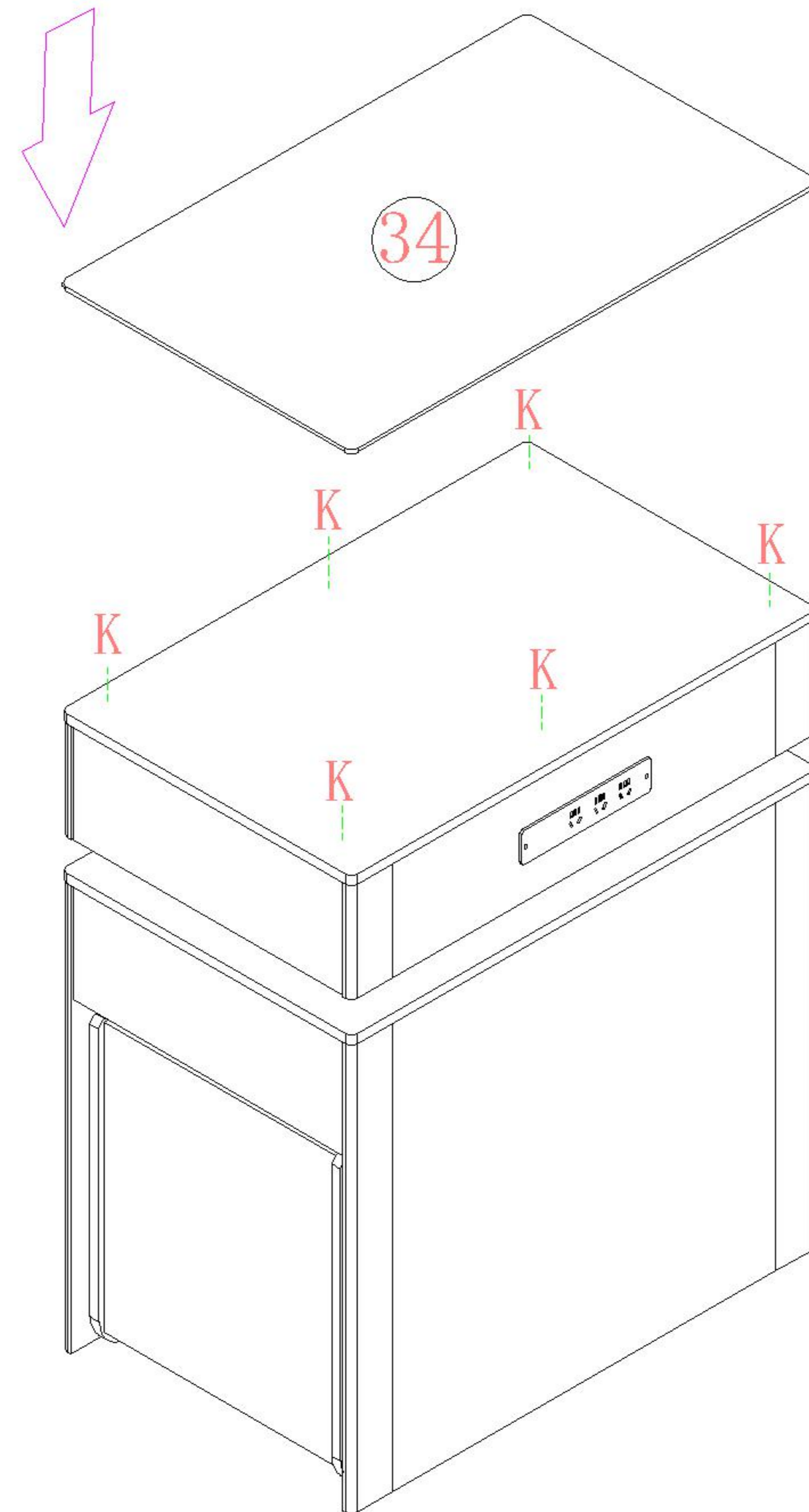


25

26



(K)*6



27

28

