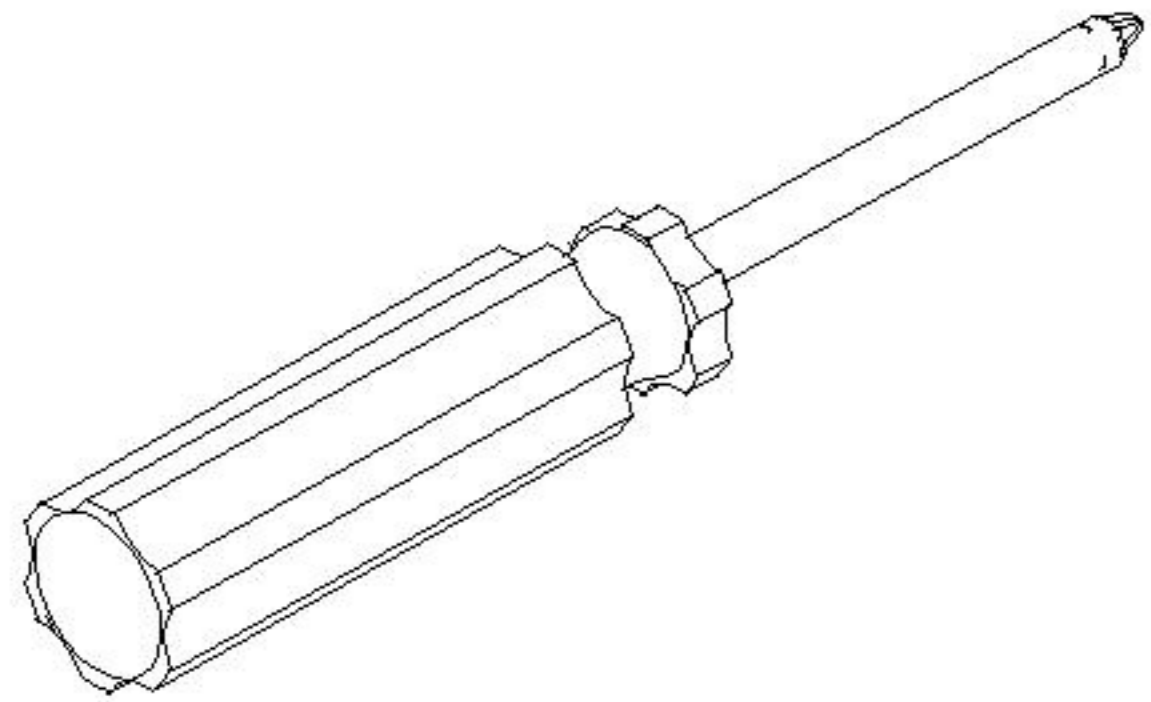
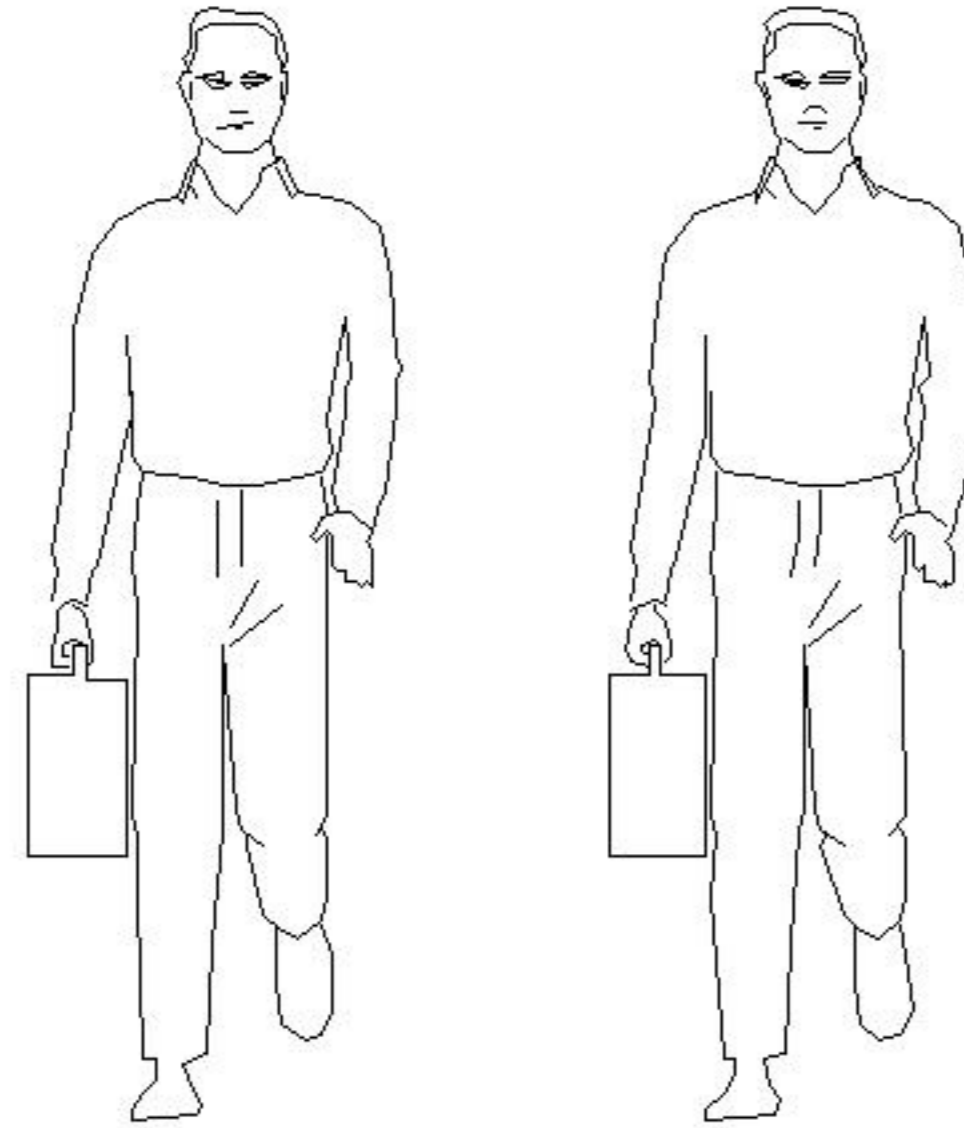


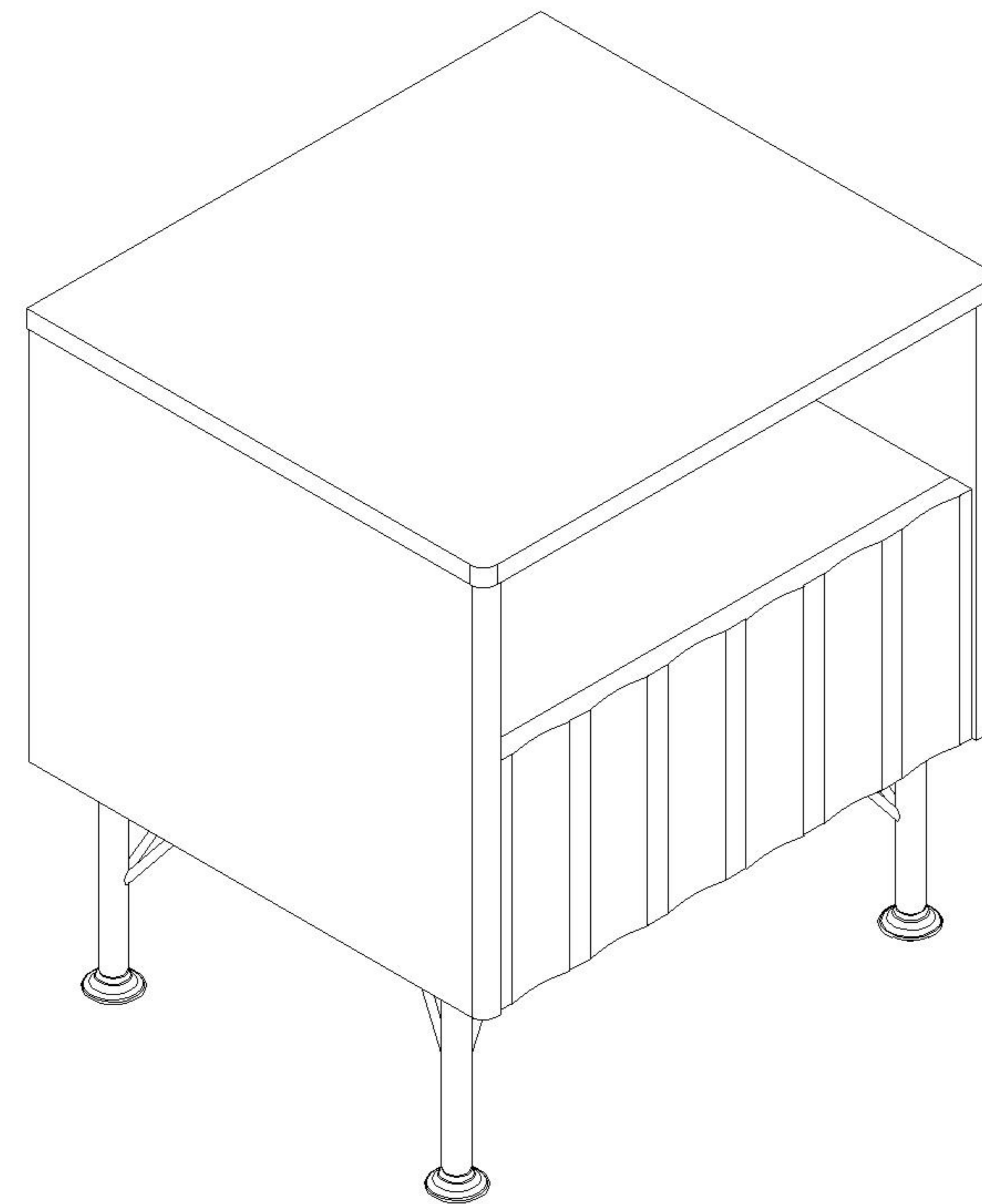
LINSY 林氏家居

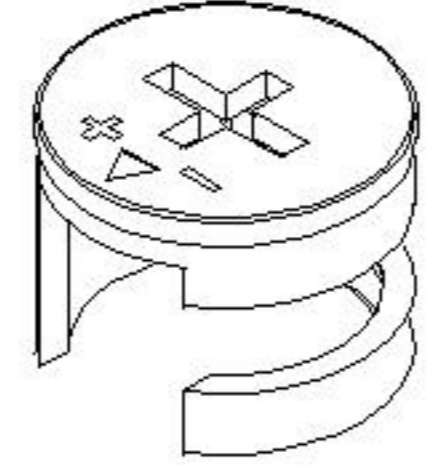
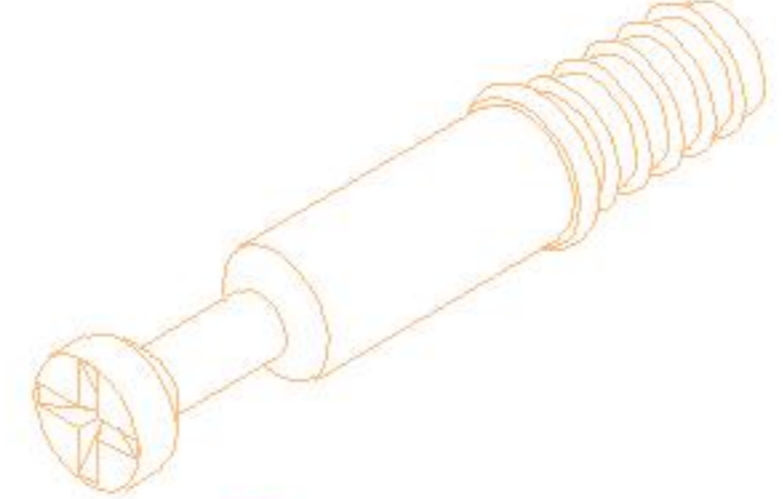
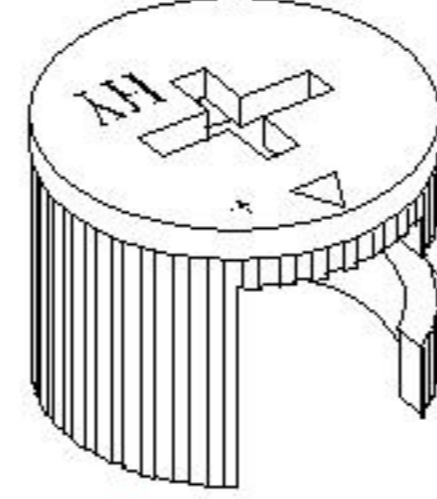
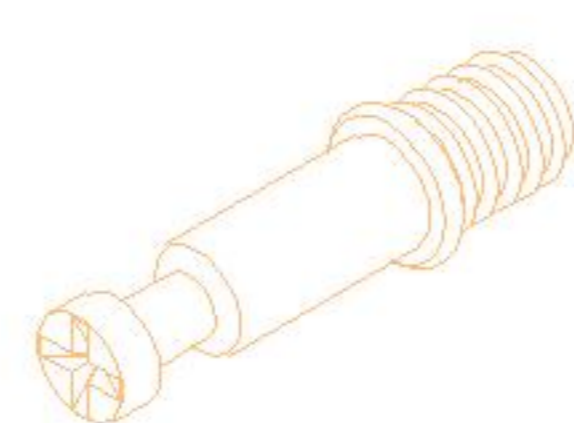
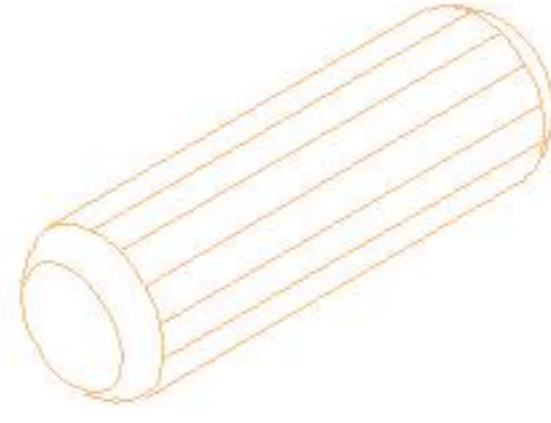

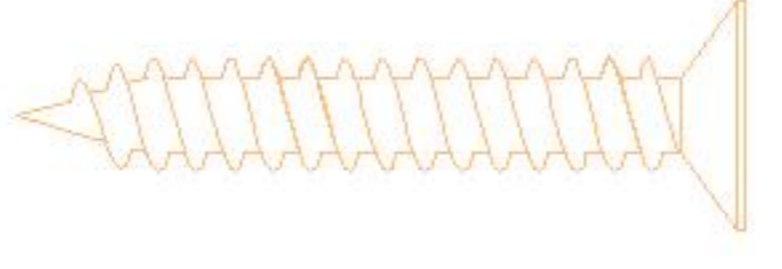
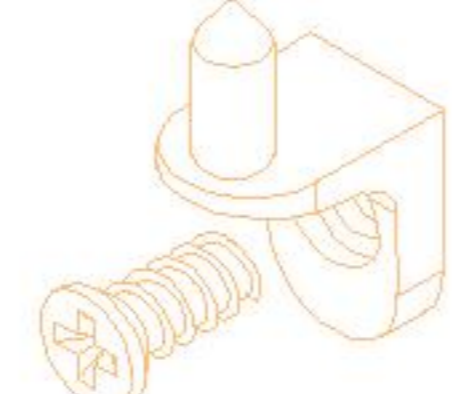
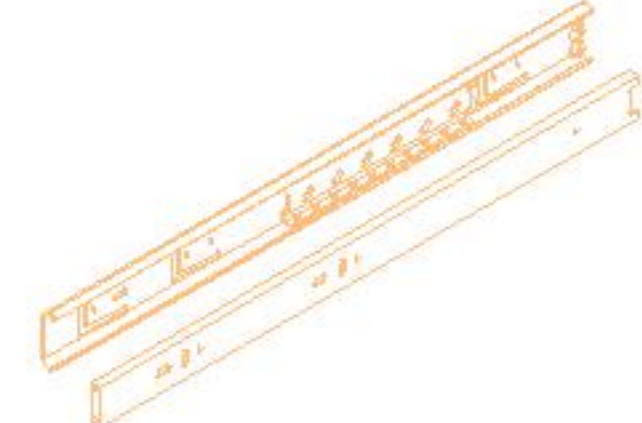
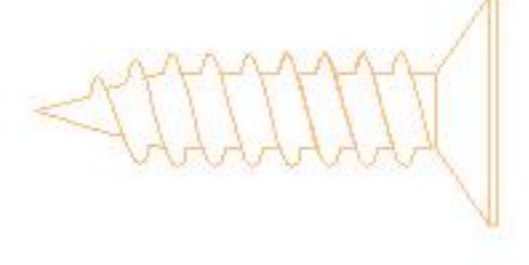

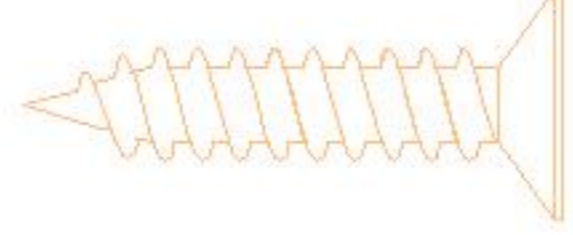
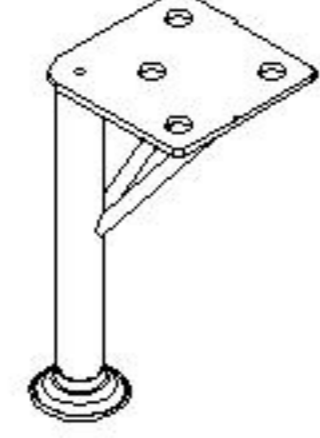
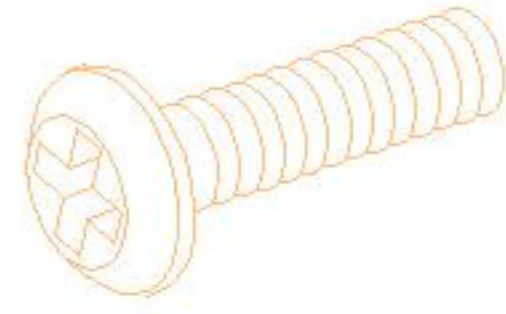
五金表/Hardware list

部件表/Parts List

安装示意图/Assembly Instruction

产品名称 Model NO.	PM1B-A
产品规格 Specification	448*398*499 mm
安装工具 Tool	安装人数 Installer
	

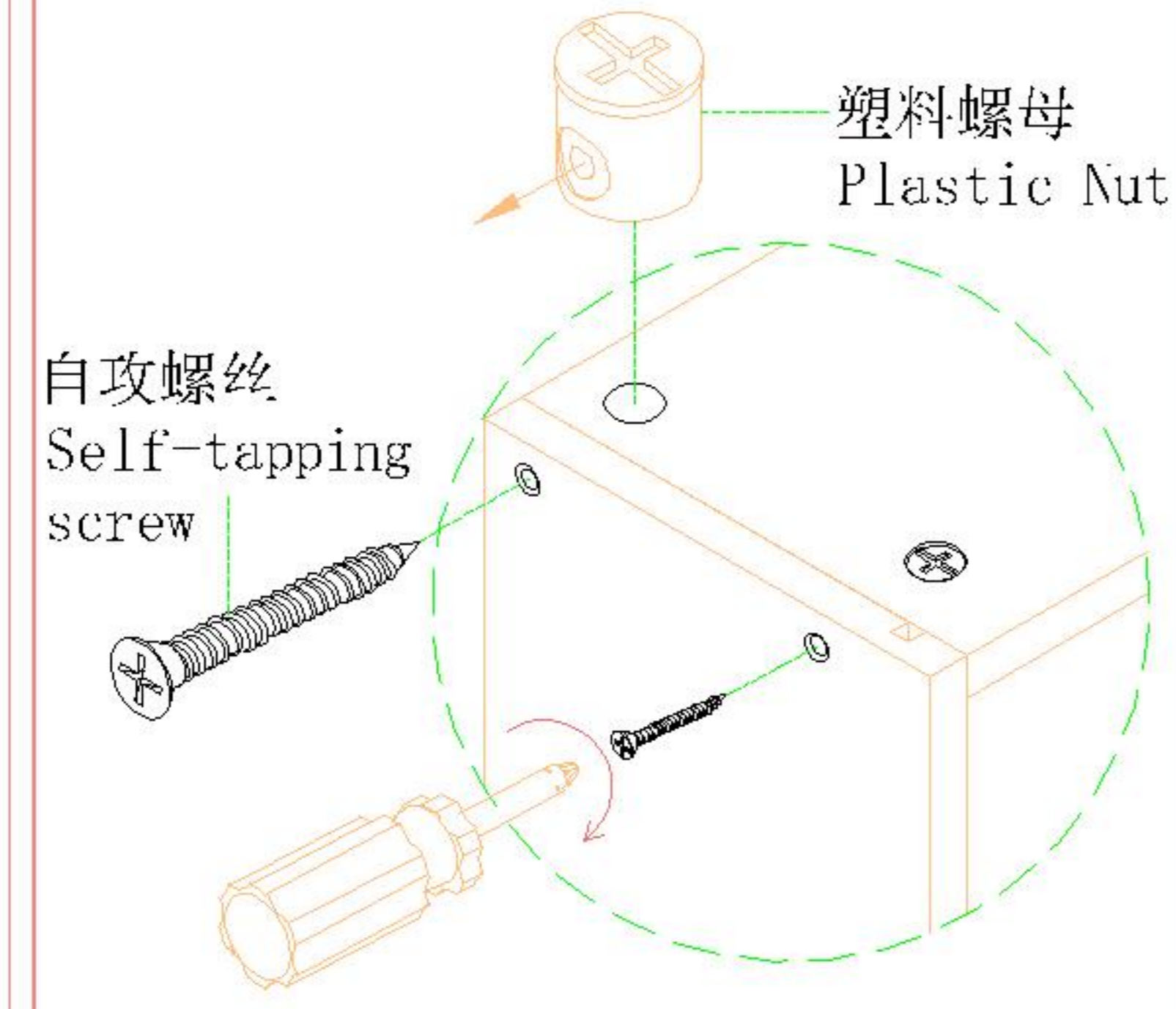


 (A)* 8 大三合一锁饼 Three-in-one large lock	 (B)* 8 二合一螺杆 2-in-1-screw	 (C)* 1 小三合一锁饼 3-in-1 small lock	 (D)* 4 小二合一杆 small two-in-one rod
 (E)* 8 木榫Ø8x30mm wood tenon	 (F)* 4 塑料螺母 Plastic Nut	 (G)* 4 自攻螺丝M4x40mm Self-tapping screw	 (H)* 4 层板托5mm shelf support
 (I)* 1 三节滚珠导轨-10" three-section ball rail	 (J)* 13 自攻螺丝M3.5x12mm Self-tapping screw	 (K)* 4 背板扣 Back Plate Buckle-White	 (L)* 4 自攻螺丝M3.5x16mm Self-tapping screw
 (M)* 4 五金脚 Metal foot	 (N)* 8 斜边十字螺杆-M8x15 bevel cross screw		

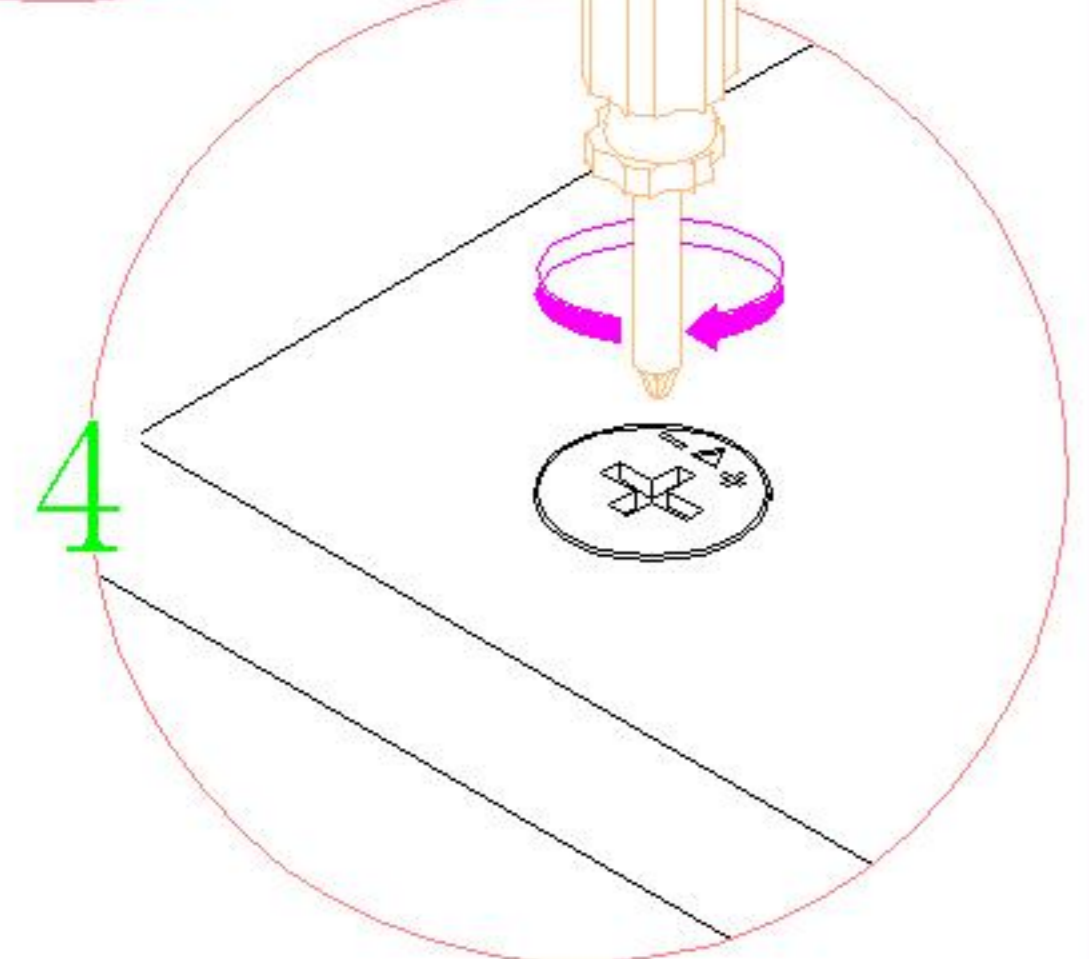
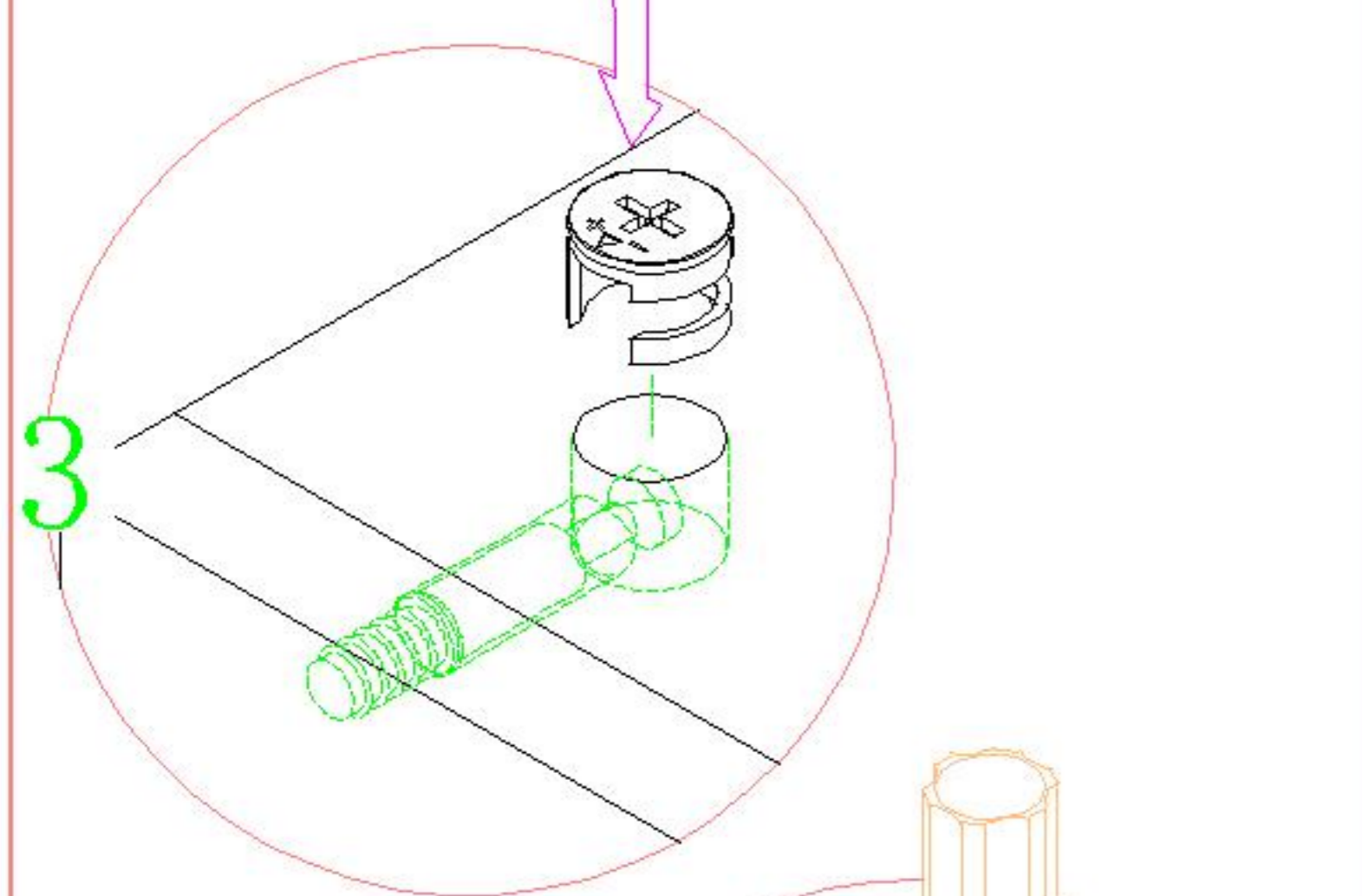
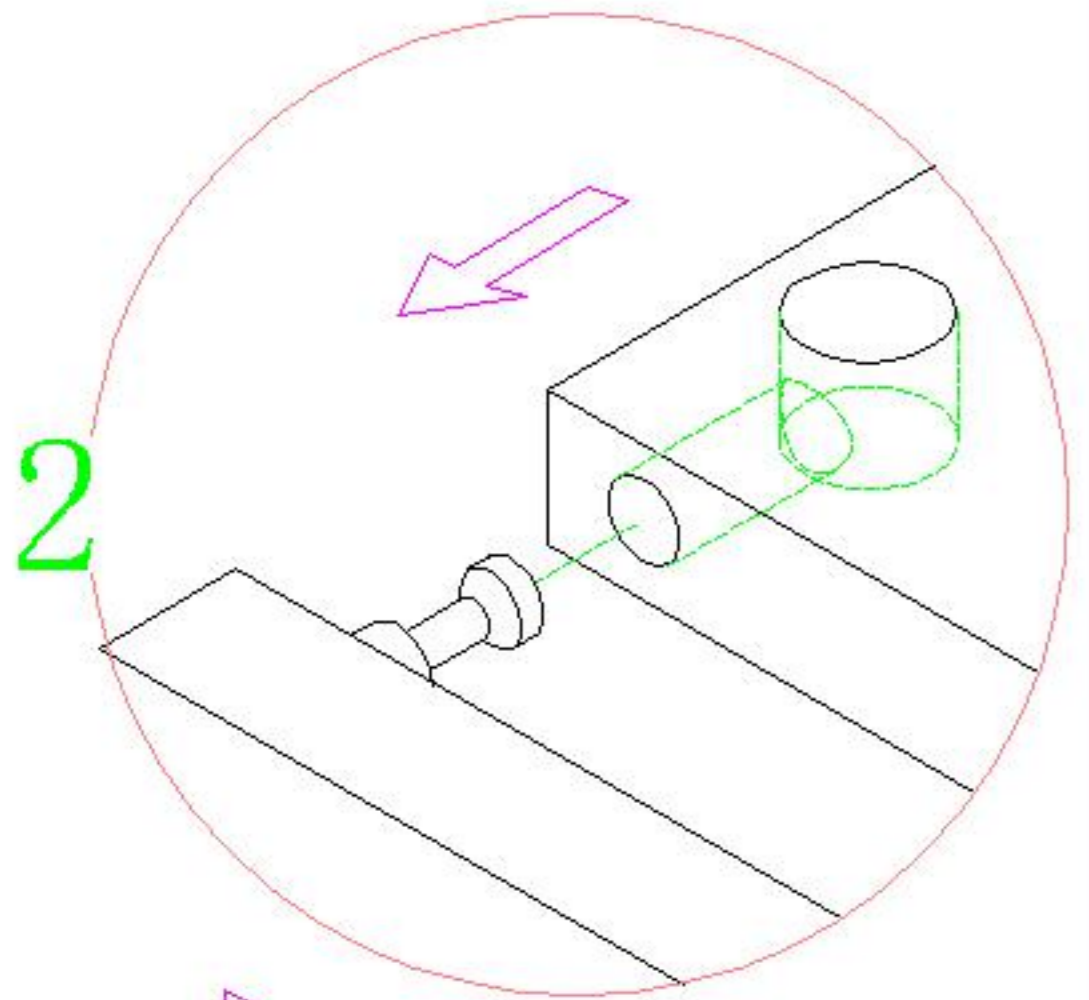
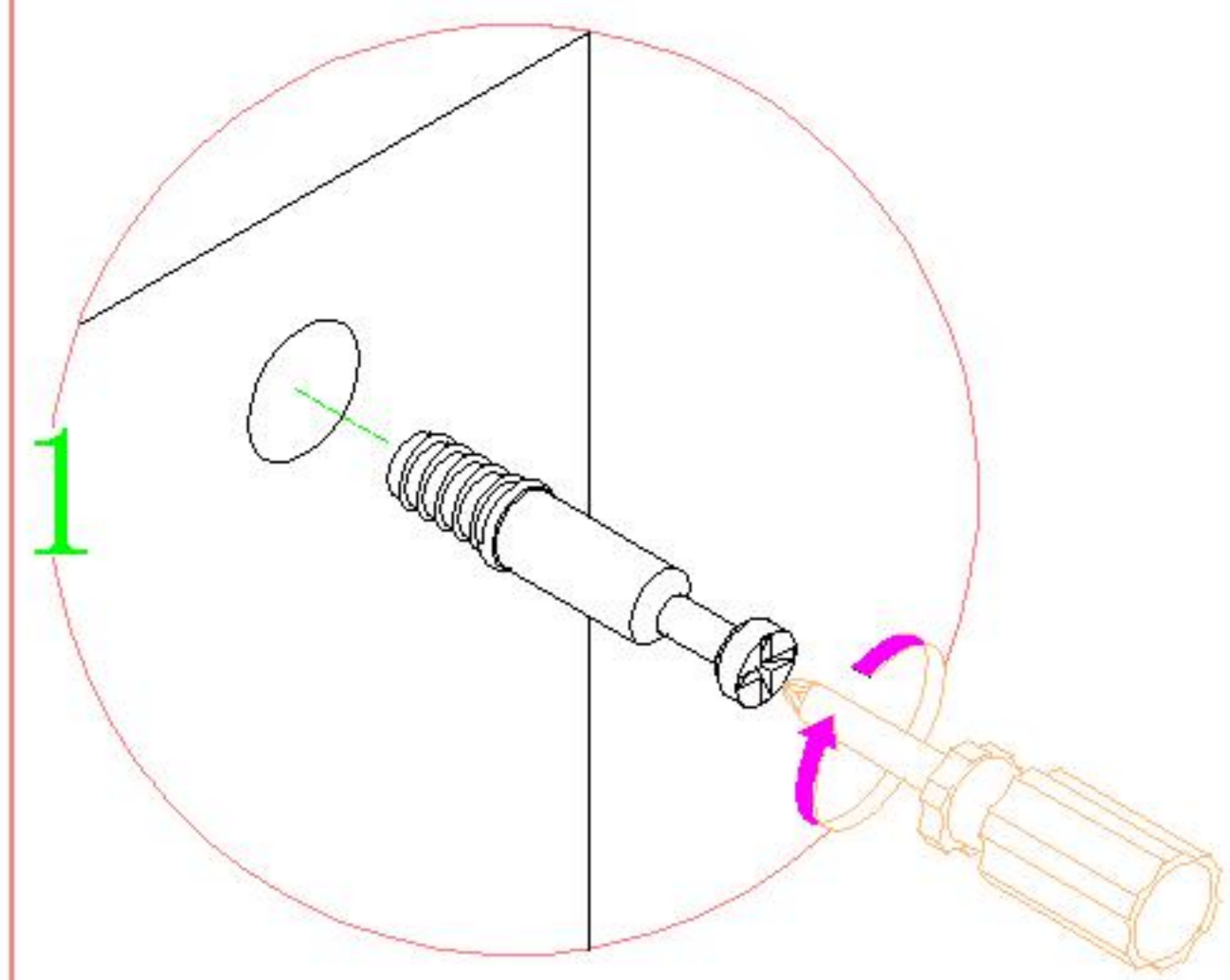
编号NO.	名称Name	规格 (mm) Specification	数量QTY	材质Material
①	面板 Top panel	448*398*15	1	人造板 WBP
②	左侧板 Side board(L)	396*328*15	1	人造板 WBP
③	右侧板 Side board(R)	396*328*15	1	人造板 WBP
④	底板 Bottom board	414*376*15	1	人造板 WBP
⑤	层板 Shelf	413*355*15	1	人造板 WBP
⑥	抽屉面板 Drawer top panel	410*188*18	1	人造板 WBP
⑦	抽屉左侧板Drawer side board(L)	295*110*12	1	人造板 WBP
⑧	抽屉右侧板Drawer side board(R)	295*110*12	1	人造板 WBP
⑨	抽屉后板Drawer Back panel	364*110*12	1	人造板 WBP
⑩	抽屉底板Drawer Bottom panel	374*291*5	1	人造板 WBP
⑪	背板 Back board	424*323*5	1	人造板 WBP

PM1B-A

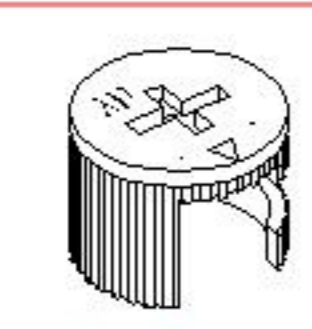
安装方法/
Installation method



塑料螺母
Plastic Nut



大二合一
two-in-one



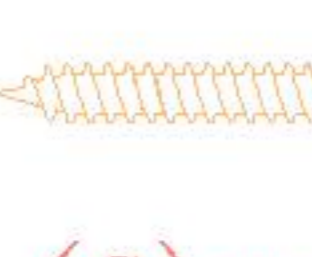
(C)*4



(D)*4



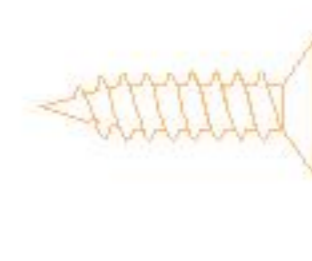
(F)*4



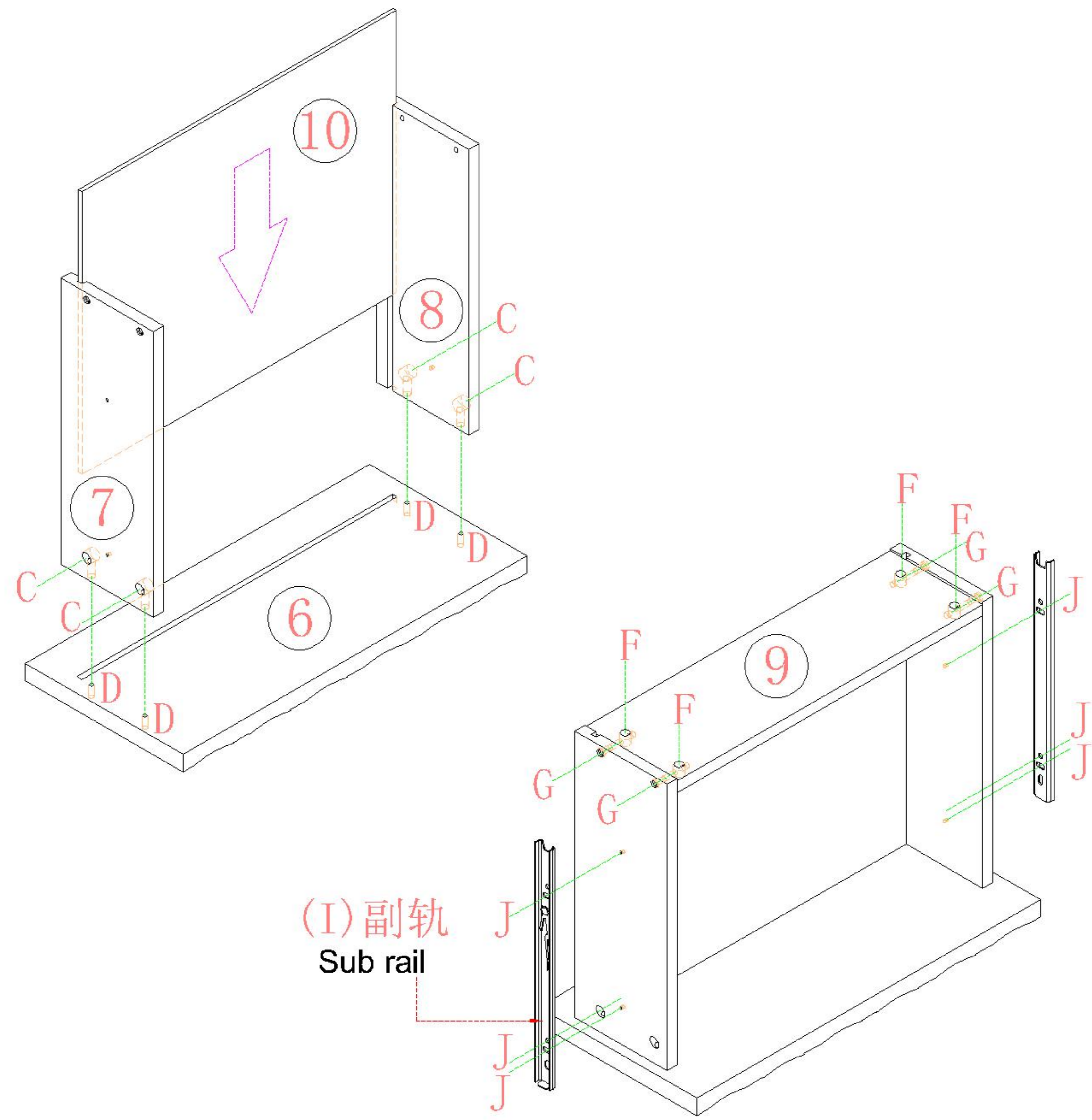
(G)*4



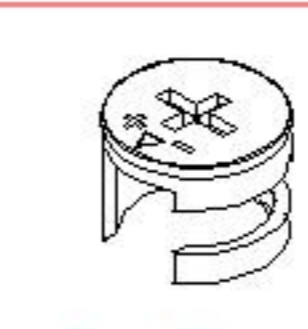
(I)*1



(J)*6



1



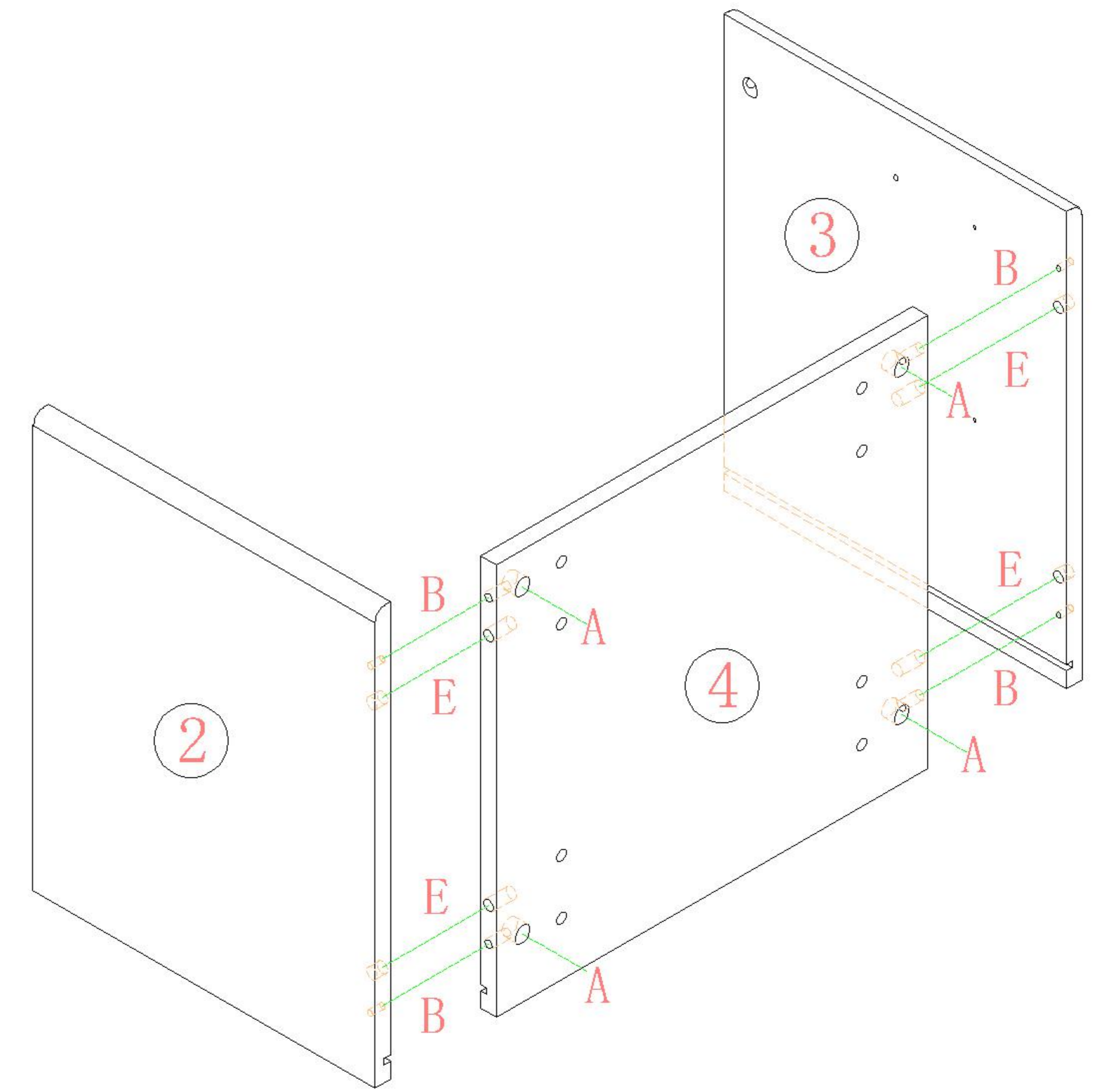
(A)*4



(B)*4



(E)*4



2



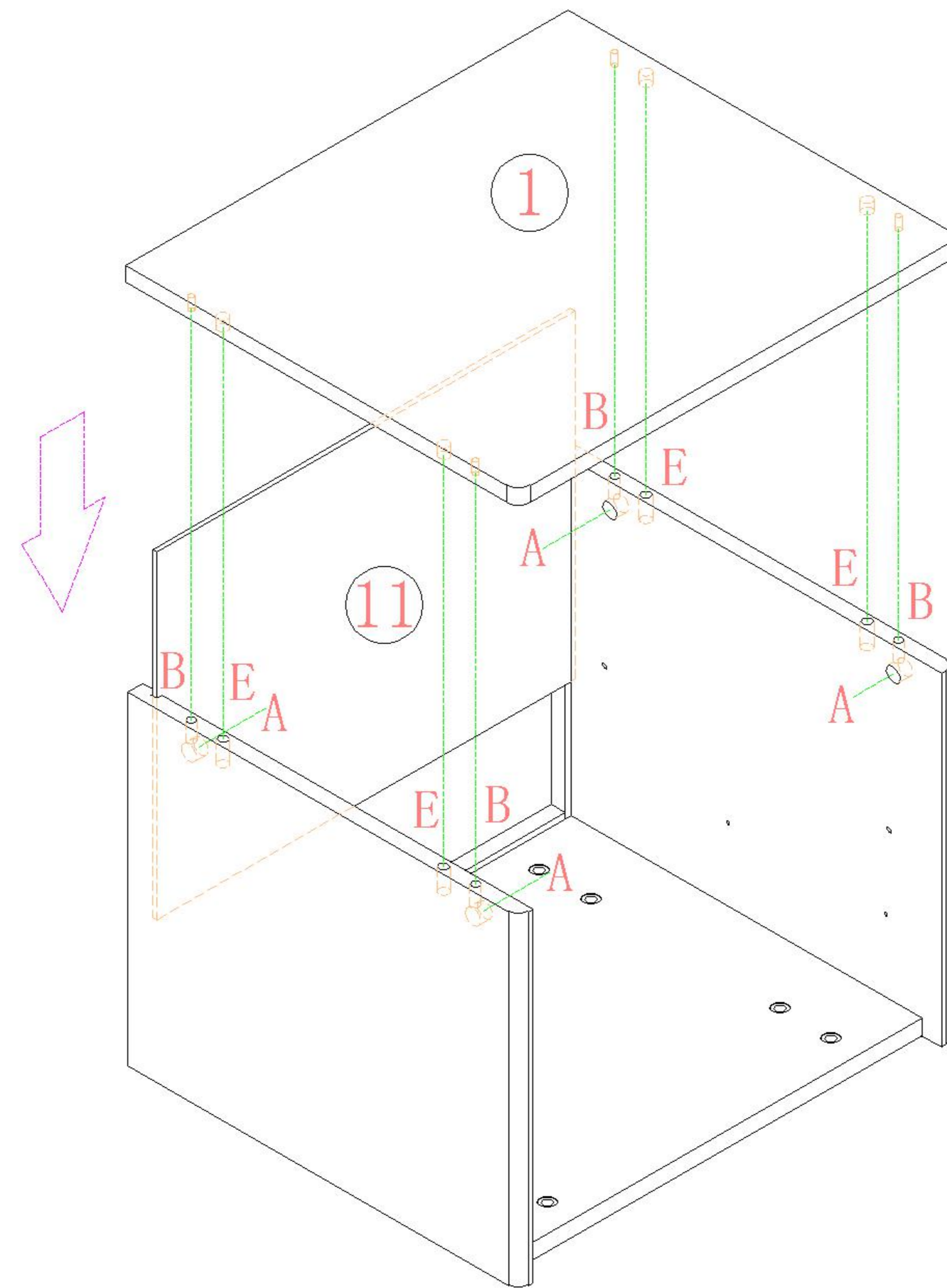
(A)*4



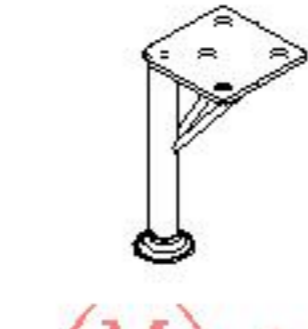
(B)*4



(E)*4



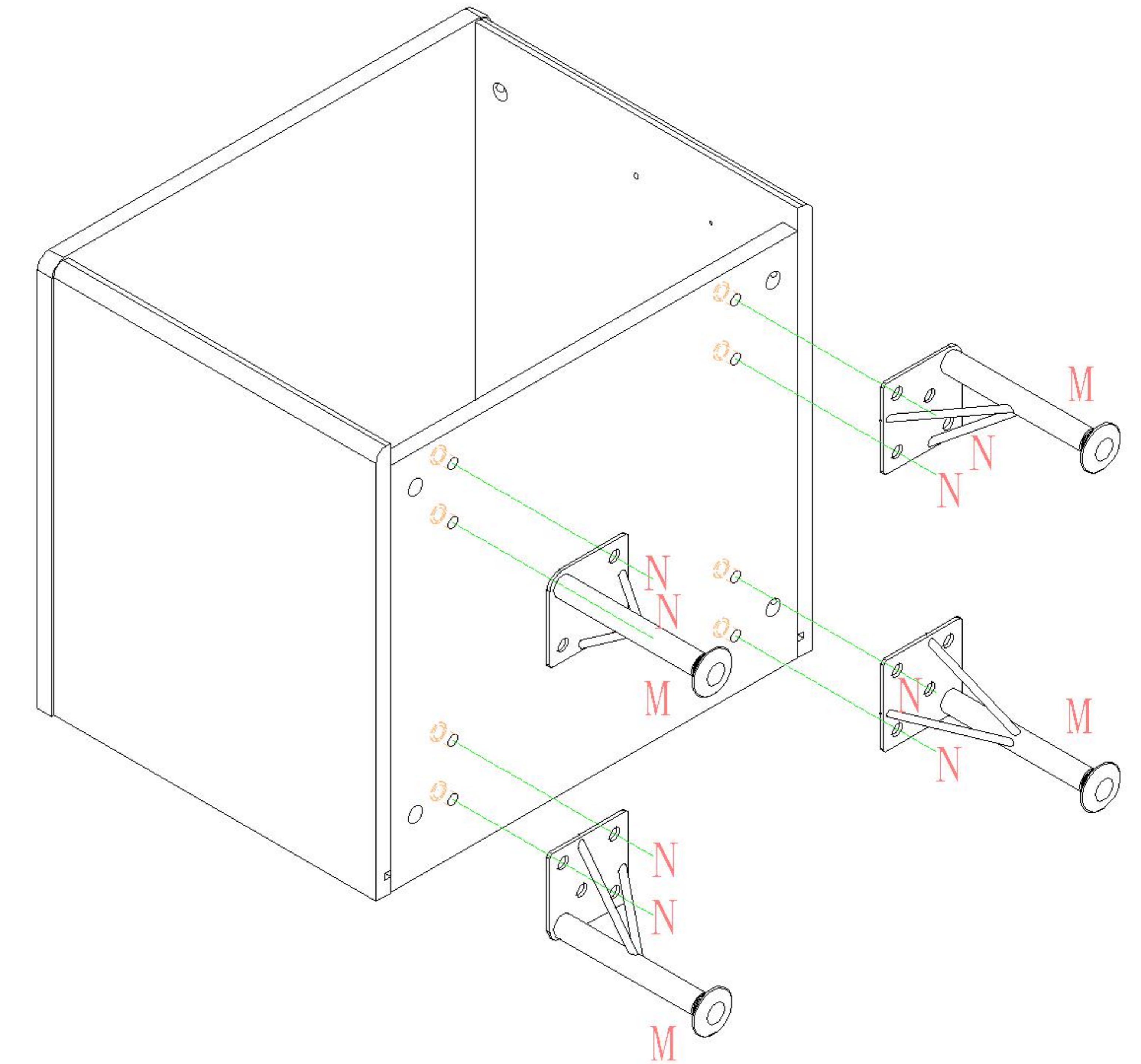
3



(M)*4



(N)*8



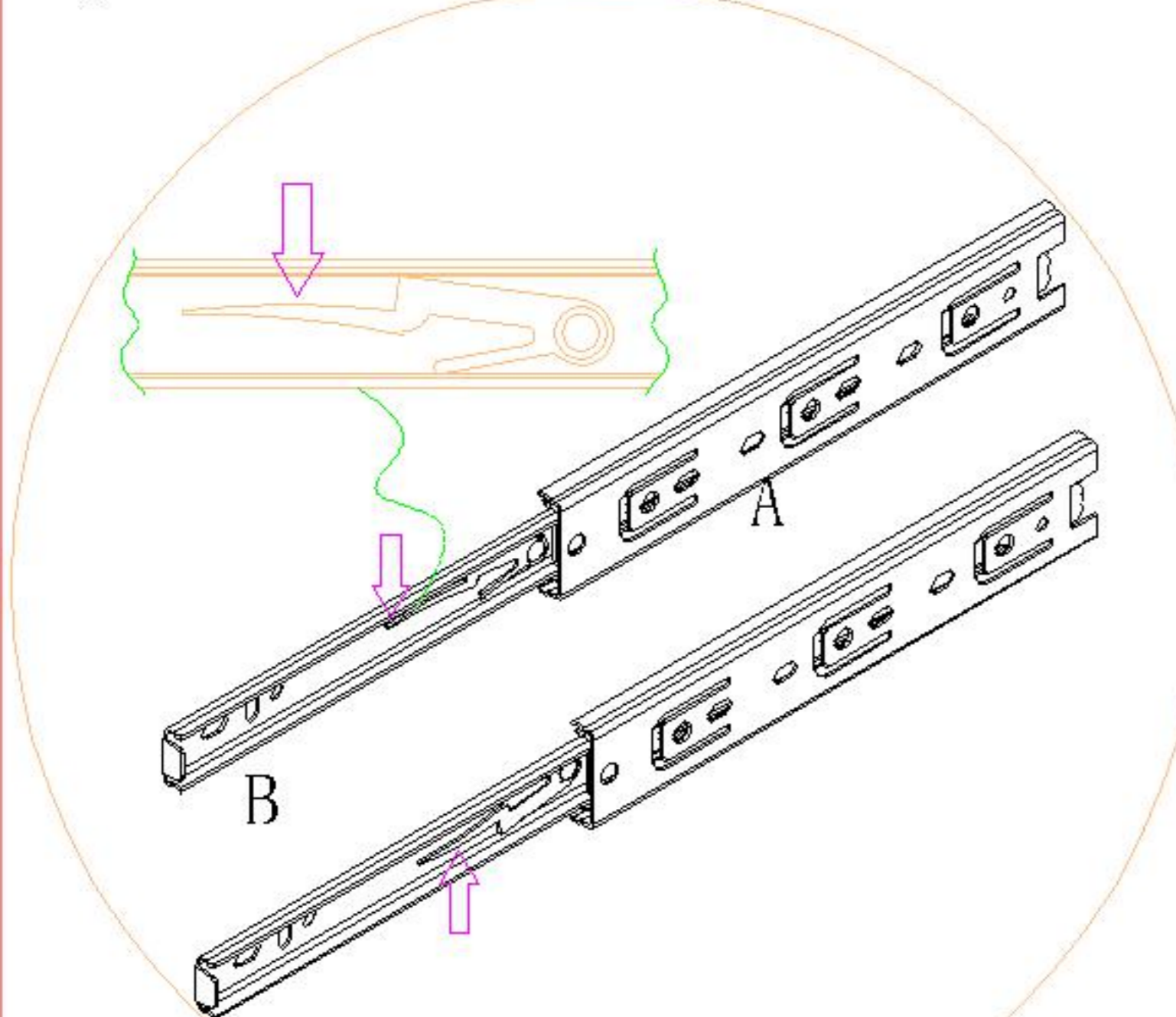
4

PM1B-A

安装方法/ Installation method

阀门开关(下压为开)
Valve switch
(press down to open)

1

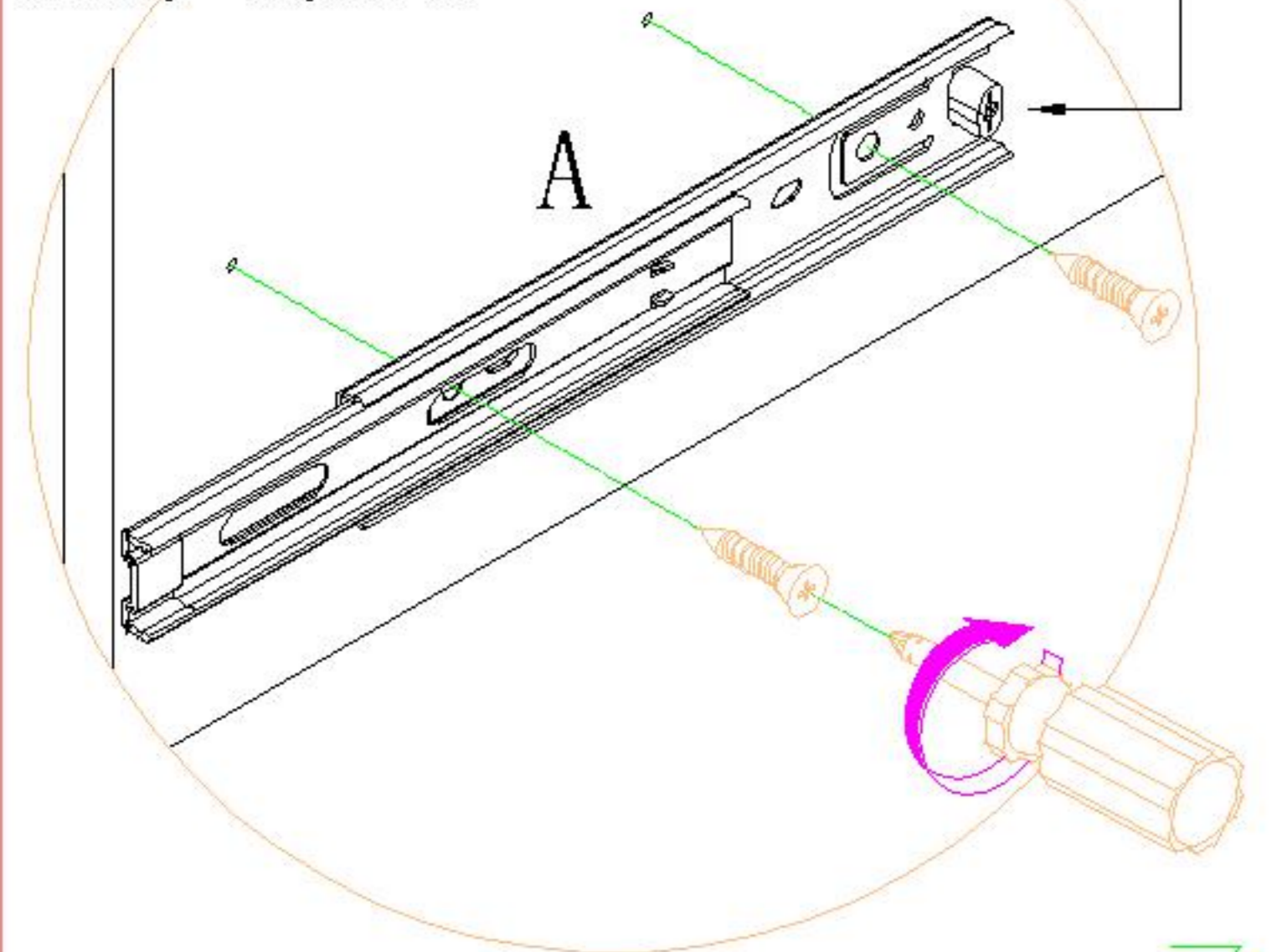


注: 先将A与B拆下来
Note: remove a and B first

侧板
side board

后after

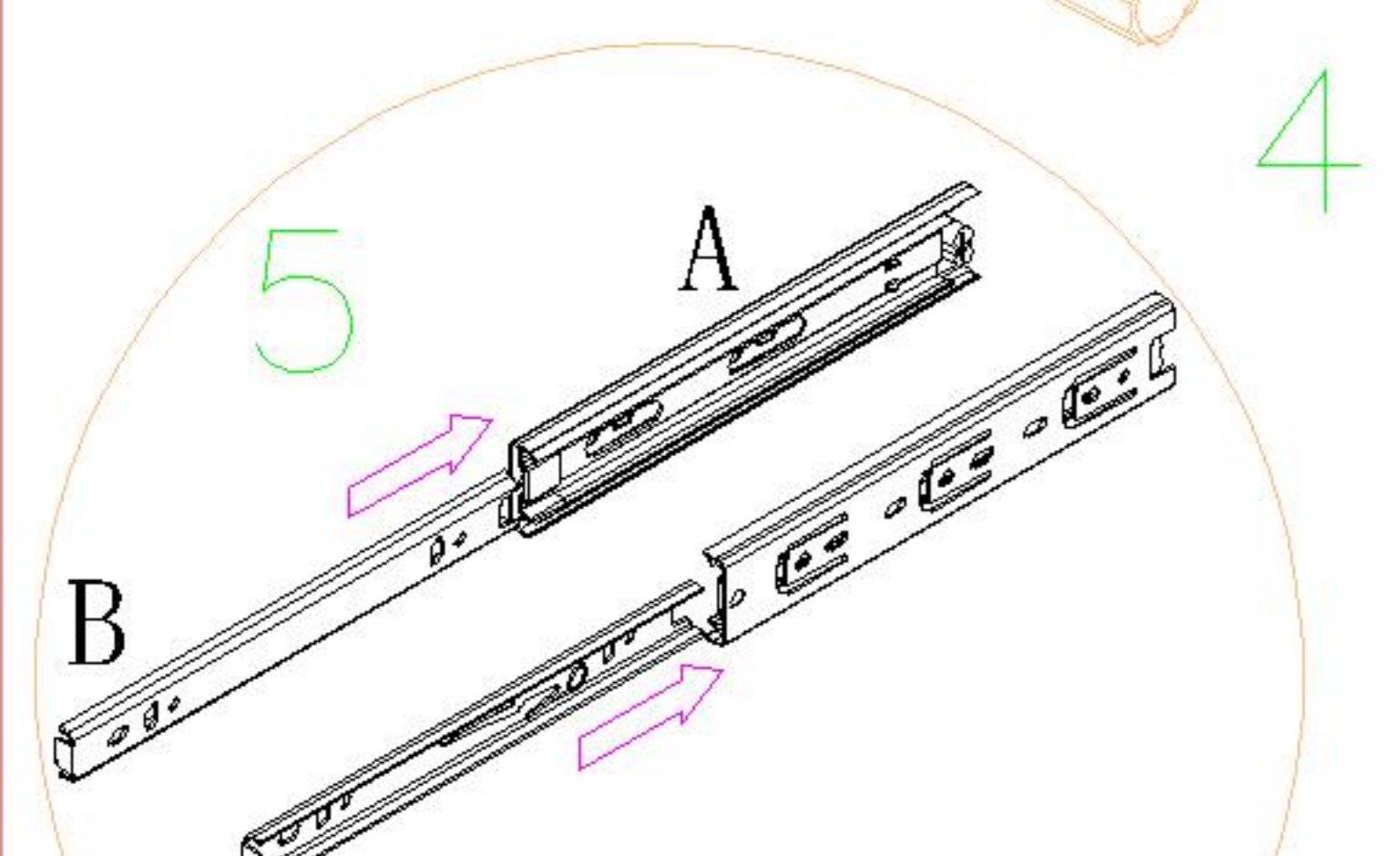
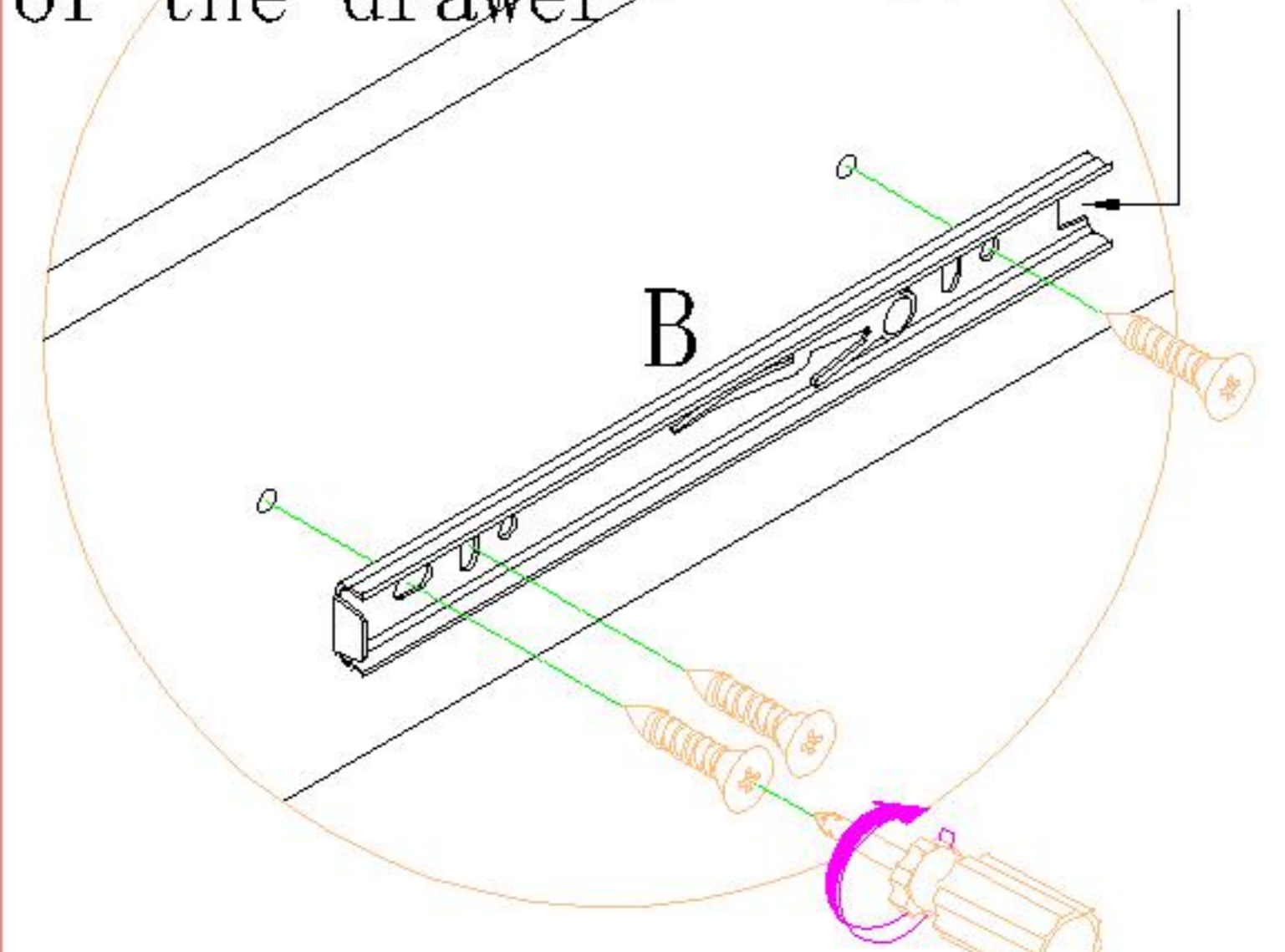
2



抽屉侧板
sideboard
of the drawer

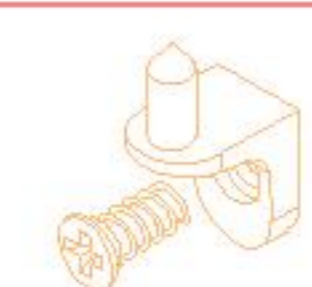
后after

3



注: 将B对准A后推进去
Note: align B with a
and push it in

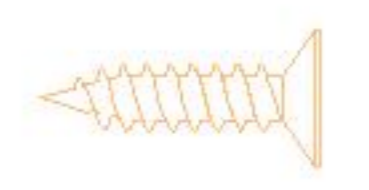
三节滚珠导轨
three-section ball rail



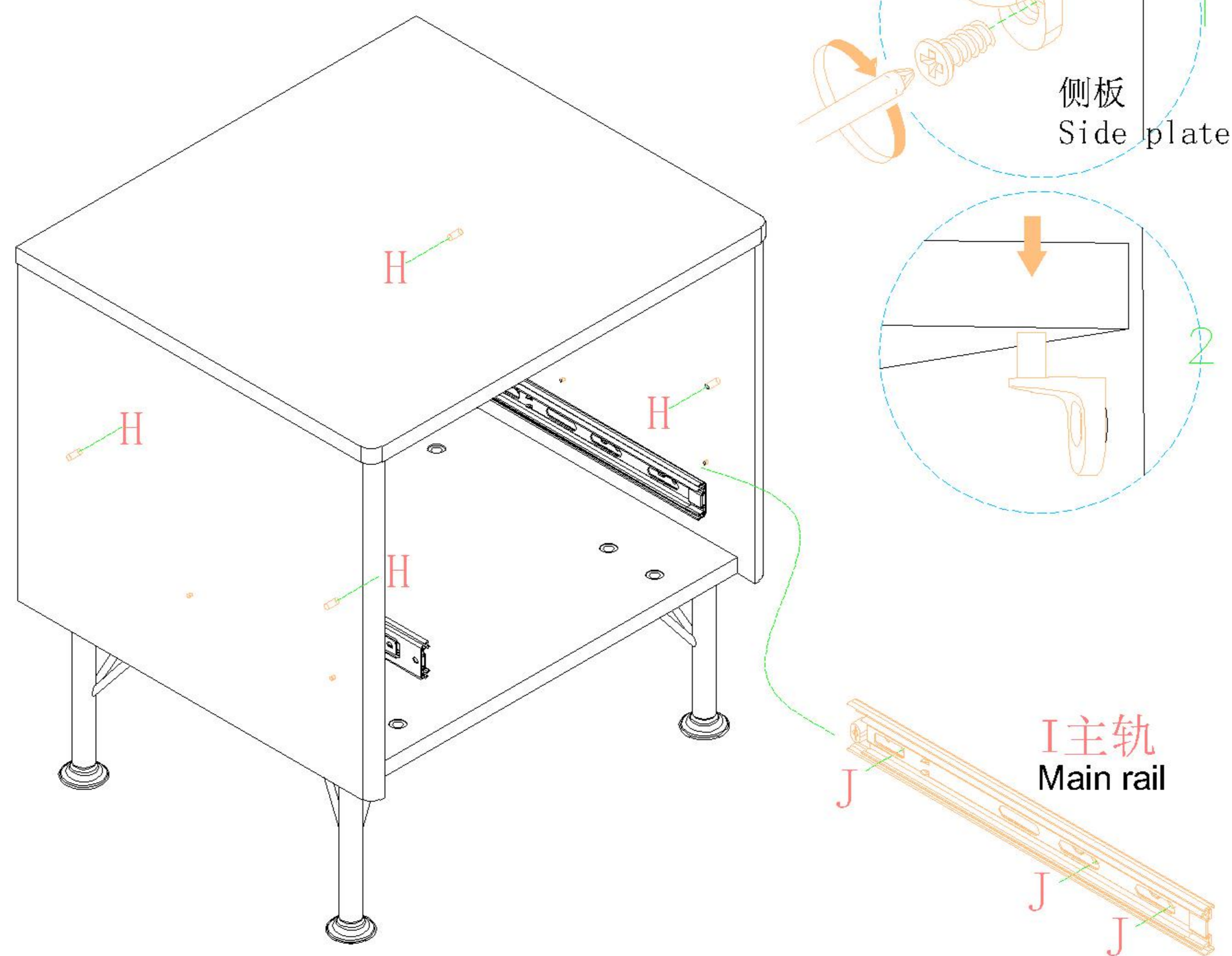
(H)*4



(I)*1



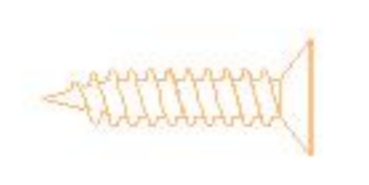
(J)*6



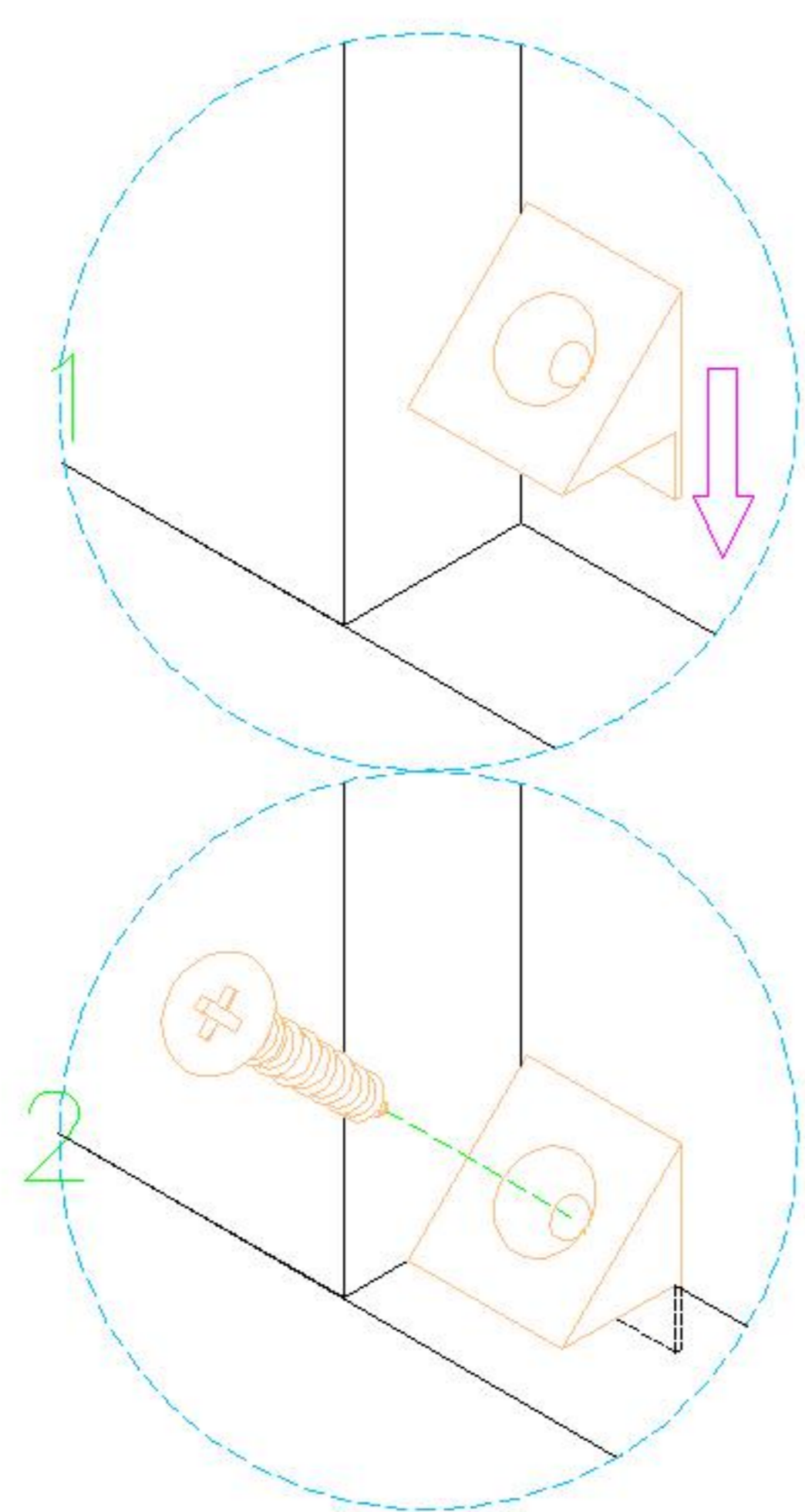
5



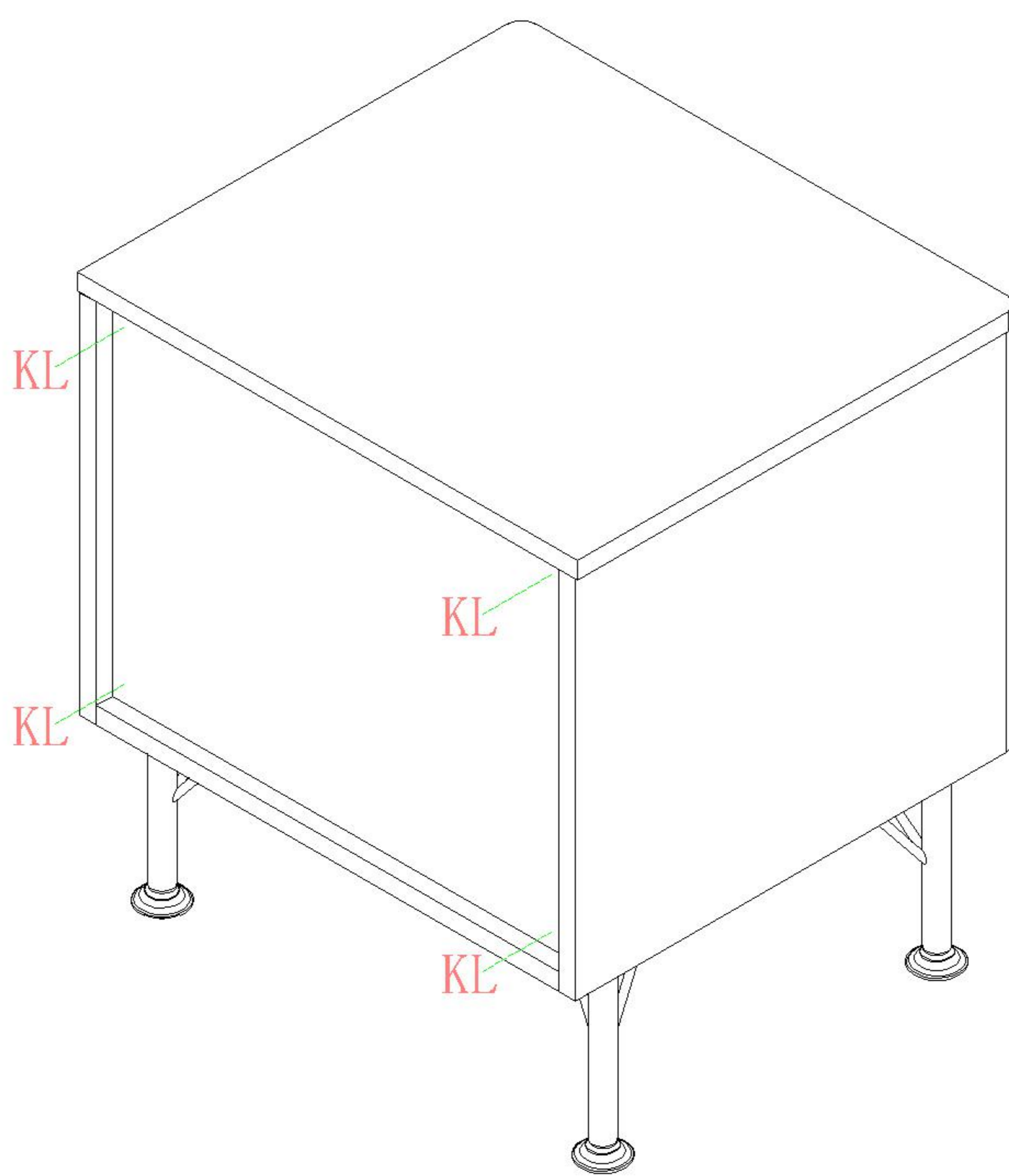
(K)*4



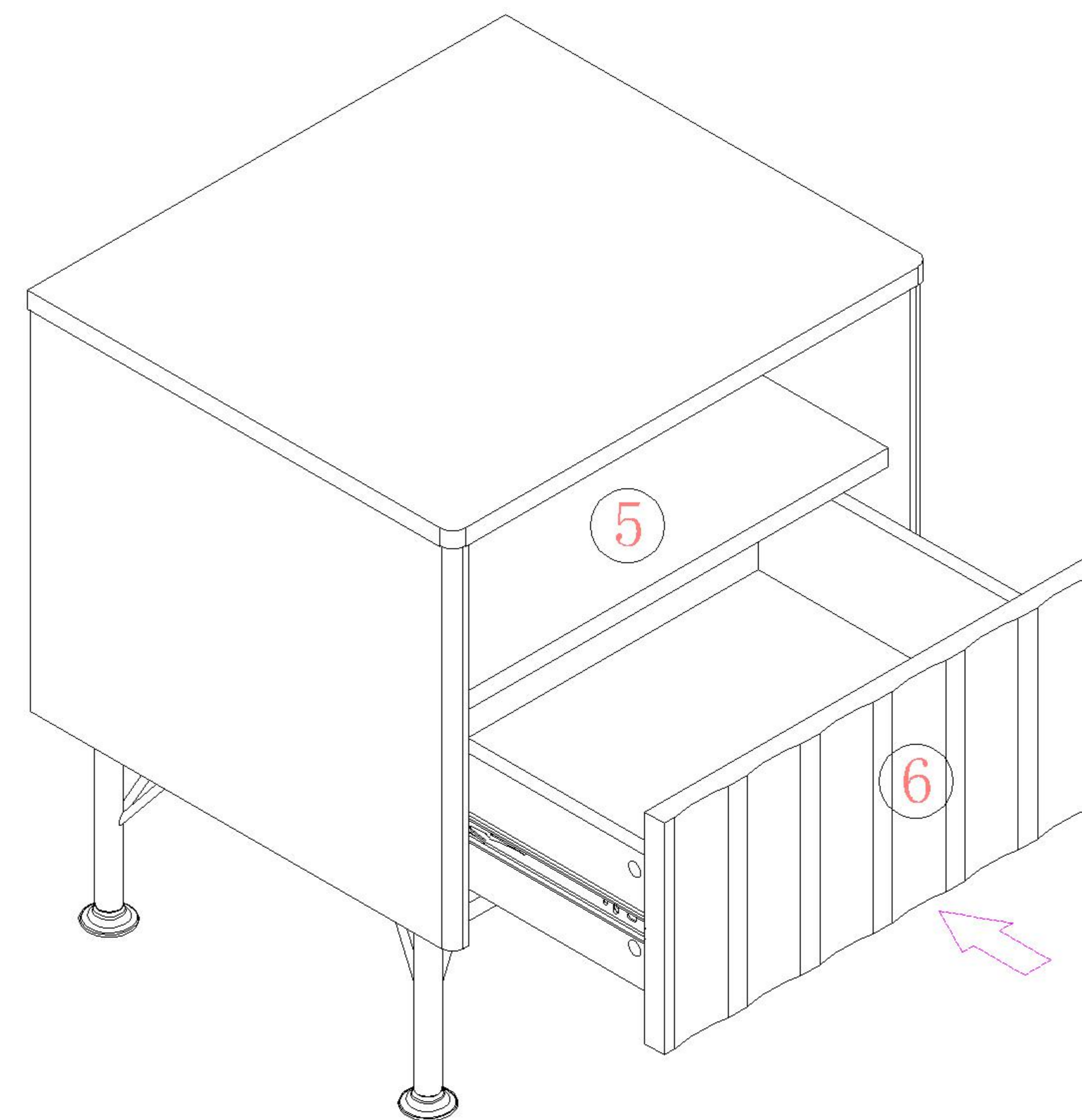
(L)*4



7



6



8

