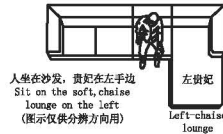


LINSY 林氏家居

如何区分沙发的左右方向?
How to distinguish the left and the right directions of the soft?



安装工具
Tool



安装人数
Installer



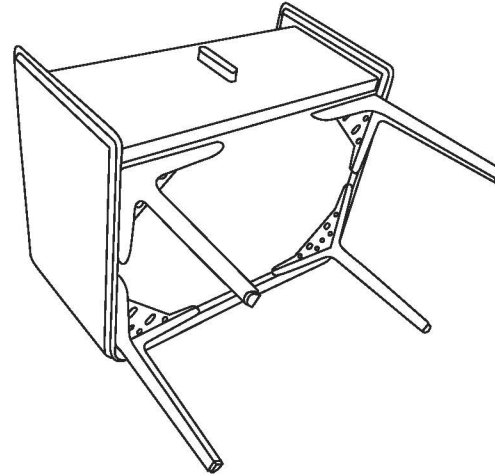
安装示意图/Assembly Instruction

| | | | | | |
|---------------------------------|-------------------|-------------------|---------------------|--------------------------------------|--------|
| 产品名称 Model NO. | TD028床头柜 | | | | |
| 产品规格 Specifications | TD028 | | | | |
| 组合尺寸 Combined size | 505*405*510mm | | | | |
| 成品部件尺寸 Component Specifications | 编号 NO. | 名称 Name | 部件尺寸 Specifications | 材质 Component material | 数量 QTY |
| | 1 | 床头柜 Bedside table | 505*405*510mm | 双面三聚氰胺+人造革 Melamine faced boards+PVC | 1 |
| | 2 | | | | |
| 3 | | | | | |
| 制图 Draw | 页码 Page NO. (1-1) | | | | |
| 日期 Date | | | | | |

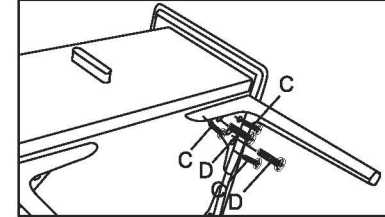
配件表/Accessories list

| 编号 NO. | 名称 Name | 图示 Icon | 数量 QTY |
|--------|---|---------|--------|
| A | 说明书(含安装图) Mounting instruction(with drawing) | | 1 |
| B | 三叉五金脚 Three-pronged hardware Foot (125*125*120mm) | | 4 |
| C | M5x16 自攻螺丝 M5x16 self tapping screw | | 12 |
| D | M8x16 斜边十字螺栓 M8x16 bevel cross bolt | | 8 |
| E | 五金配件箱 | | 1 |
| F | | | |
| G | | | |
| H | | | |
| I | | | |
| J | | | |
| K | | | |
| L | | | |

STEP 1:
三叉五金脚安装
Installation of Three-pronged hardware foot



① 三叉五金脚安装示意图
Installation diagram of Three-pronged hardware foot



五金配件箱

STEP 2:
组合图
Composite diagram

