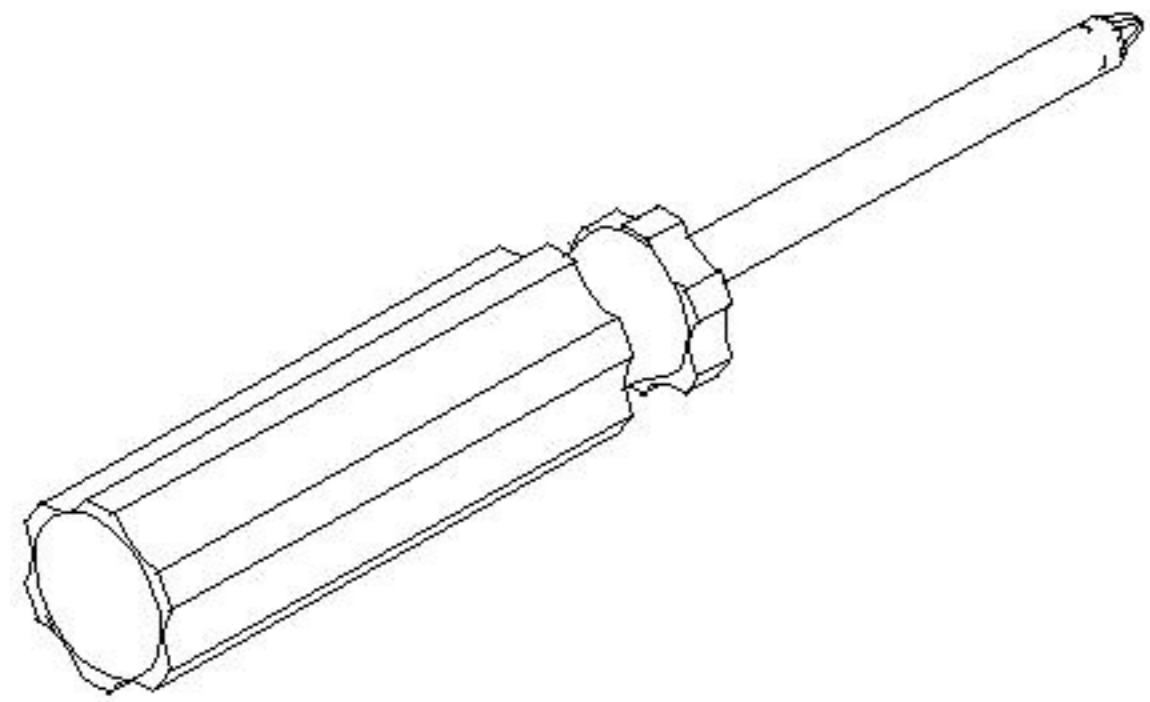
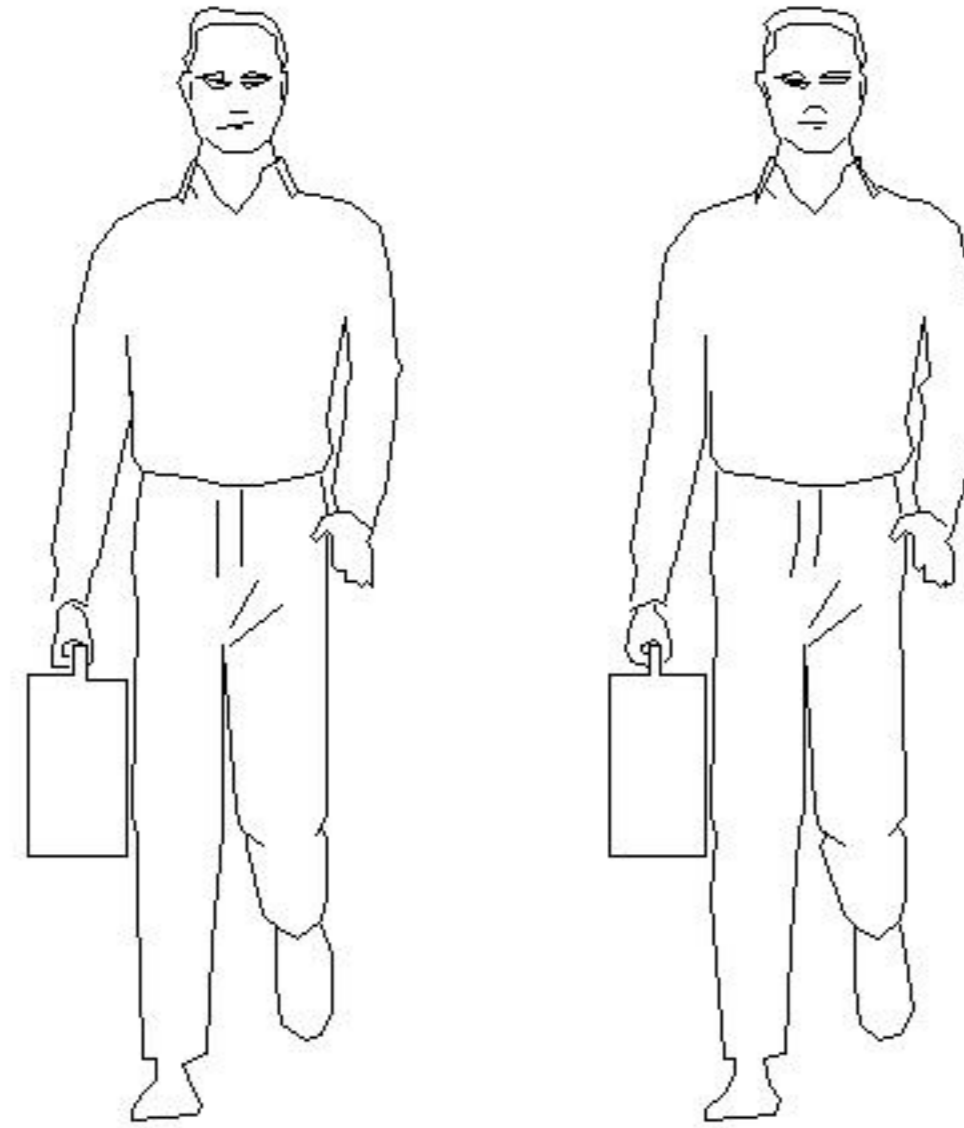
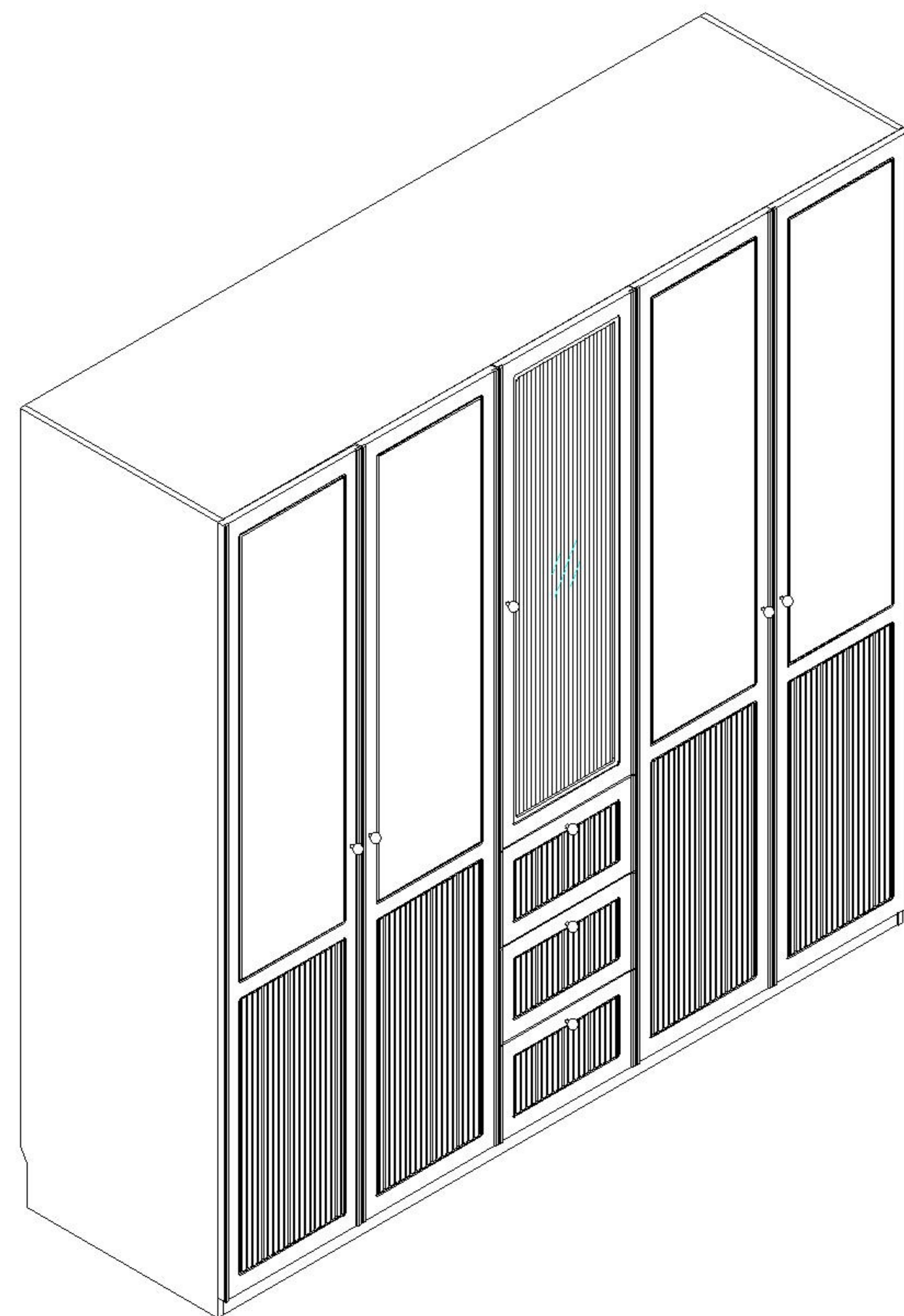


### 安装示意图/Assembly Instruction

产品名称 Model NO.	TE11D-A
产品规格 Specification	1990*620.5*2003mm
安装工具 Tool	安装人数 Installer
	



注：安装至少需要2人  
Note: 2 persons are required at least for installation

 <b>(A)* 93</b> 二合一螺杆 2-in-1-screw	 <b>(B)* 93</b> 大三合一锁饼 Three-in-one large lock	 <b>(C)* 21</b> 木榫Ø8x30mm wood tenon	 <b>(D)* 55</b> 自攻螺丝M3.5x12mm Self-tapping screw	 <b>(E)* 17</b> 自攻螺丝M3.5x16mm Self-tapping screw	 <b>(F)* 17</b> 背板扣 Back Plate Buckle-White	 <b>(G)* 8</b> 拉手 Handle	 <b>(H)* 8</b> 拉手螺丝-M4x22mm pulling screw
 <b>(I)* 3</b> 透气孔盖-白色 Vent cover - white	 <b>(J)* 8</b> 挂衣托-F874-B Clothes hanger	 <b>(K)* 1</b> 挂衣杆1 L-359 Clothes hanging rod 1	 <b>(L)* 1</b> 挂衣杆2 L-390 Clothes hanging rod 2	 <b>(M)* 2</b> 挂衣杆3 L-758 Clothes hanging rod 3	 <b>(N)* 16</b> 缓冲门铰直弯-杯径Ø35 Hinge-straight bending-diameter 35	 <b>(O)* 24</b> 层板托 shelf support	 <b>(P)* 16</b> 脚垫-灰色 Footrest - Grey
 <b>(Q)* 3</b> 缓冲门铰大弯-杯径Ø35 Hinge-big bends-diameter 35	 <b>(R)* 4</b> 过山丝-M7x38mm Self-tapping screw galvanized	 <b>(S)* 1</b> 内六角扳手4mm spanner-(4mm) hex	 <b>(T)* 3</b> 三节滚珠导轨-14" three-section ball rail				



TE11D-A

## 部件表/Parts List

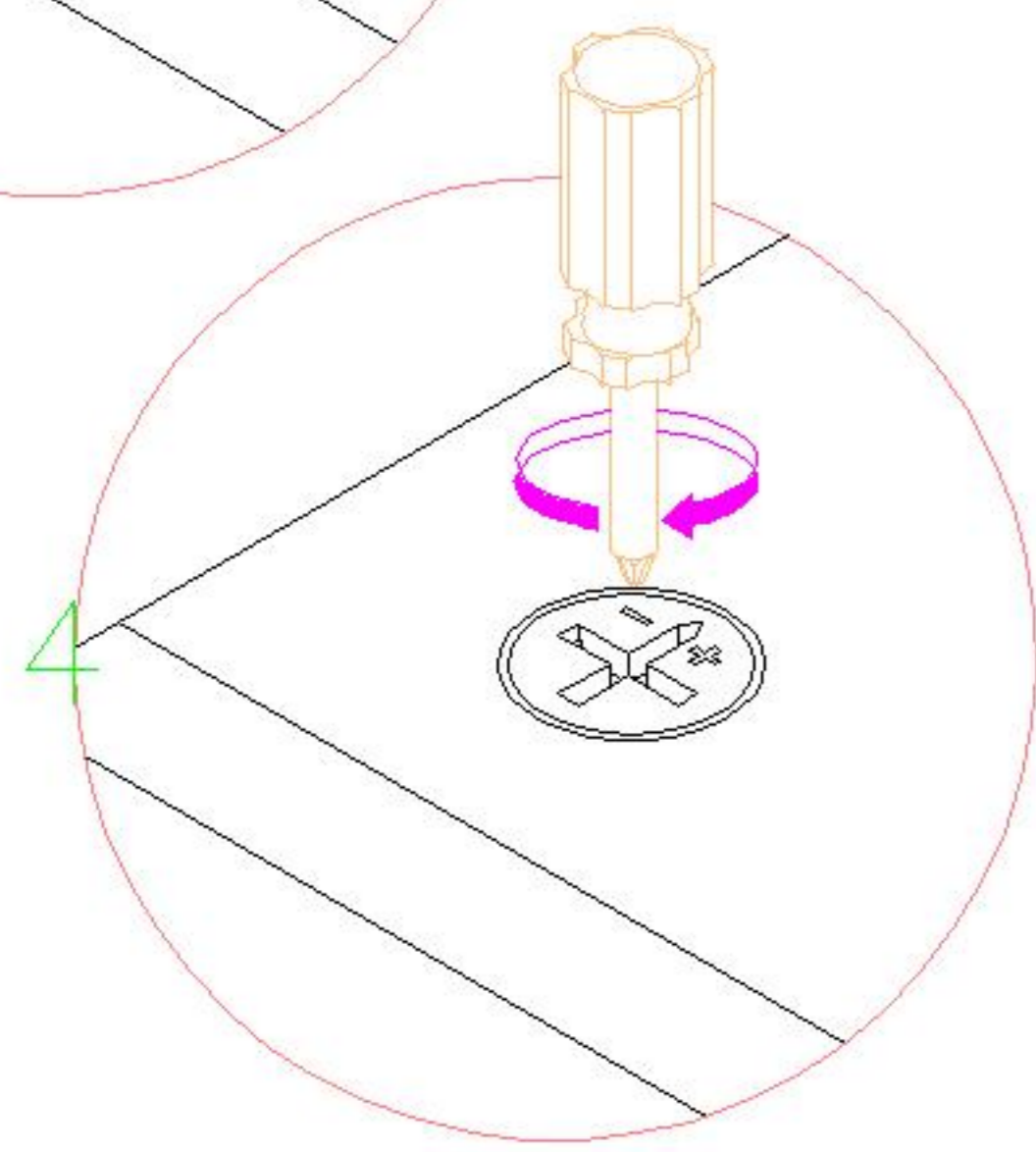
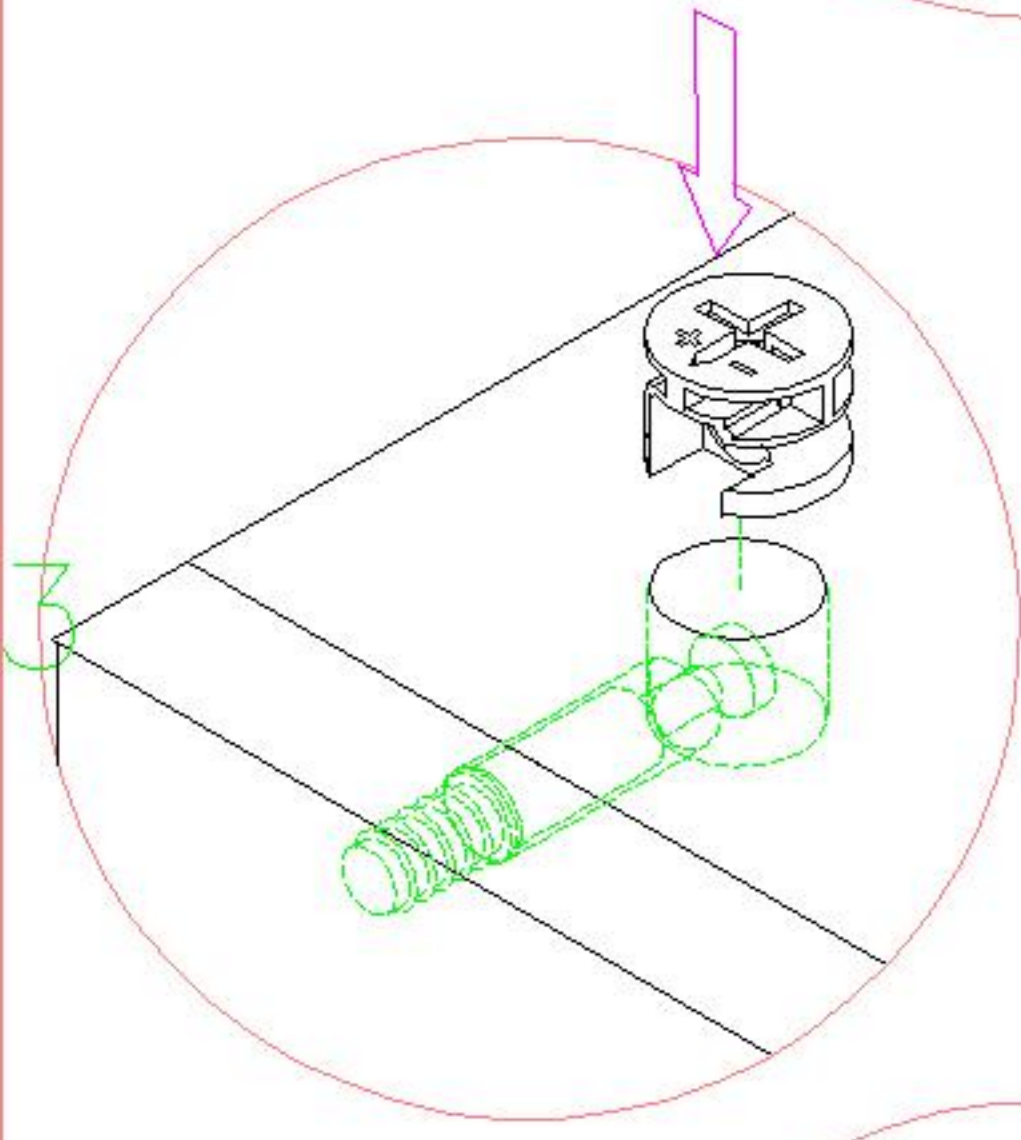
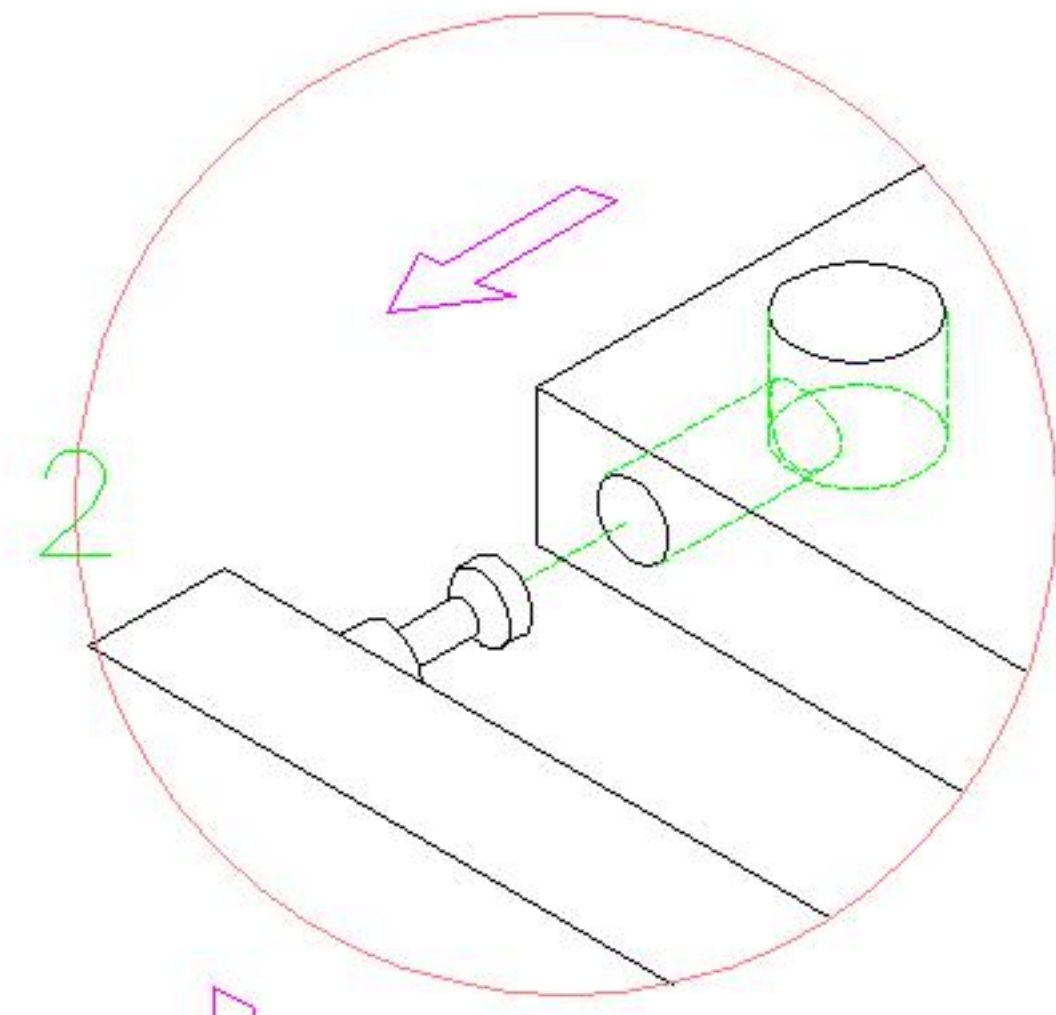
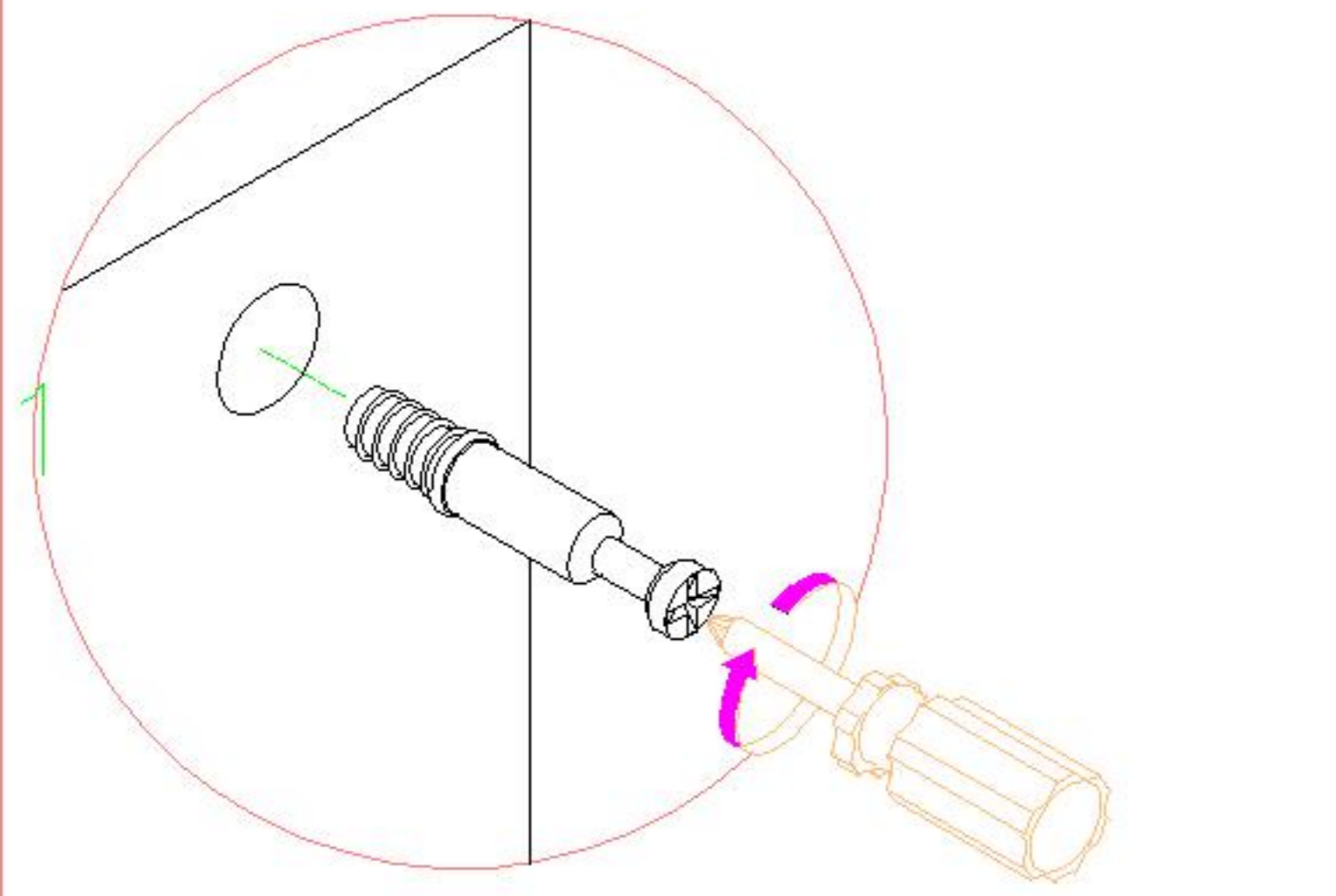
## 部件表/Parts List

编号NO.	名称Name	规格 (mm) Specification	数量QTY	材质Material	编号NO.	名称Name	规格 (mm) Specification	数量QTY	材质Material
①	右侧板Side board(R)	2000*574*15	1	人造板 WBP					
②	左侧板Side board(L)	2000*574*15	1	人造板 WBP					
③	顶板Top board	1960*574*15	1	人造板 WBP					
④	底板Bottom board	1960*554*15	1	人造板 WBP					
⑤	长层板Long laminate	765*532*15	1	人造板 WBP					
⑥	固定层板Fixed shelf	765*532*15	1	人造板 WBP					
⑦	活动层板Movable shelf	382*532*15	3	人造板 WBP					
⑧	活动层板1 Movable shelf 1	397*532*15	1	人造板 WBP					
⑨	中侧板Middle side board	1912*534*15	2	人造板 WBP					
⑩	短中侧板Short middle side plate	1577*532*15	1	人造板 WBP					
⑪	边背拉条Side back brace	1912*140*15	2	人造板 WBP					
⑫	背拉条Back brace	1912*140*15	2	人造板 WBP					
⑬	大背板Big backboard	1922*575*5	2	人造板 WBP					
⑭	小背板Small backplane	1922*284*5	1	人造板 WBP					
⑮	长脚条Long foot slat	1960*58*15	2	人造板 WBP					
⑯	中脚条Middle foot strip	522*58*15	2	人造板 WBP					
⑰	抽屉侧板Drawer's sideboard	395*174*15	6	人造板 WBP					
⑱	抽屉后板Drawer's Back board	372*174*15	3	人造板 WBP					
⑲	抽屉底板Drawer's Bottom board	352*405*5	3	人造板 WBP					
⑳	抽屉面板Drawer's top panel	396*242*22	3	吸塑板Blister board					
㉑	左门板Door board(L)	1950*396*22	2	吸塑板Blister board					
㉒	右门板Door board(R)	1950*396*22	2	吸塑板Blister board					
㉓	中门板组立Middle doorframe	1215*396*22	1	吸塑板+玻璃Blister board+Glass					



TE11D-A

安装方法/  
Installation method



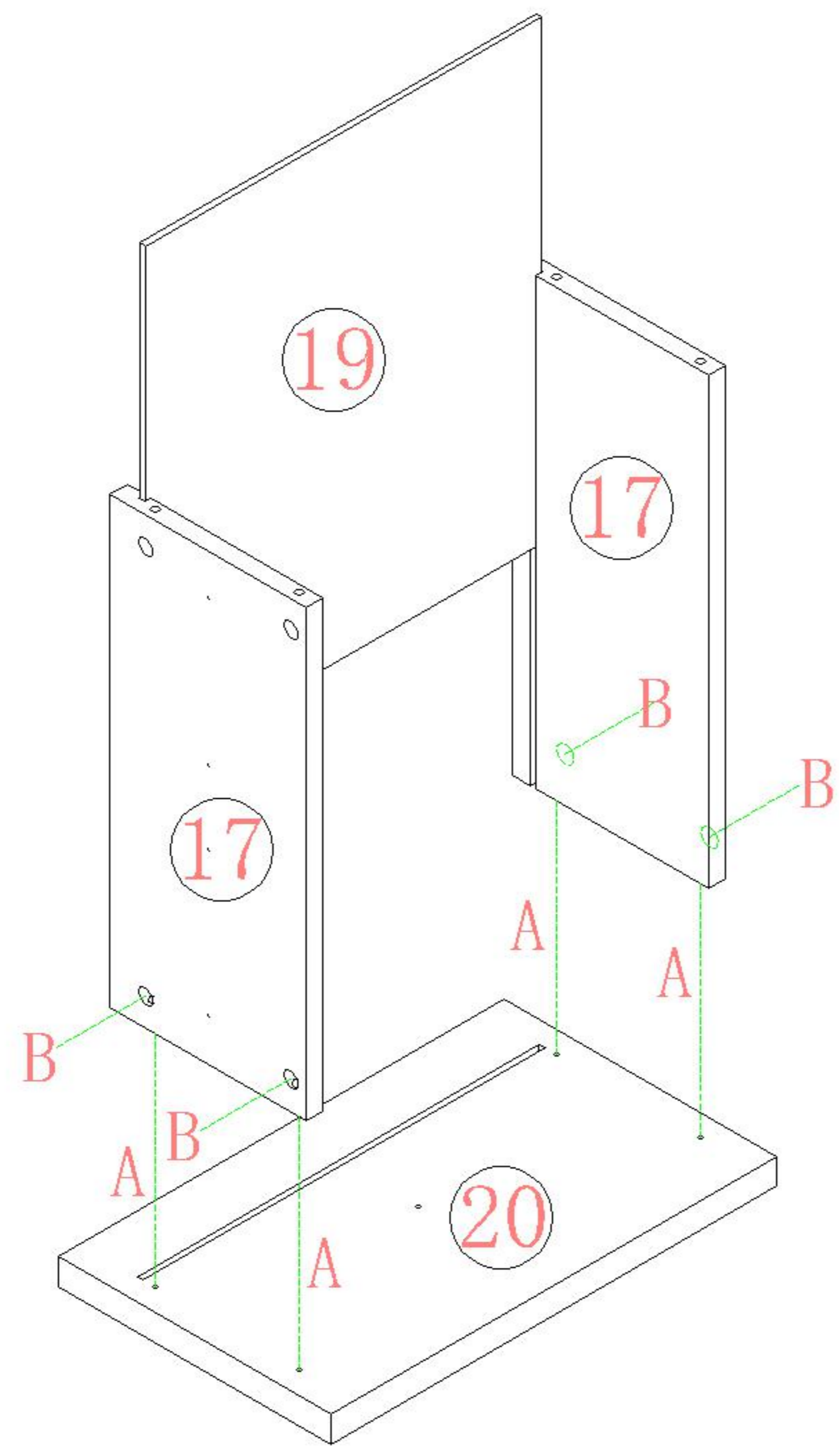
大二合一  
two-in-one



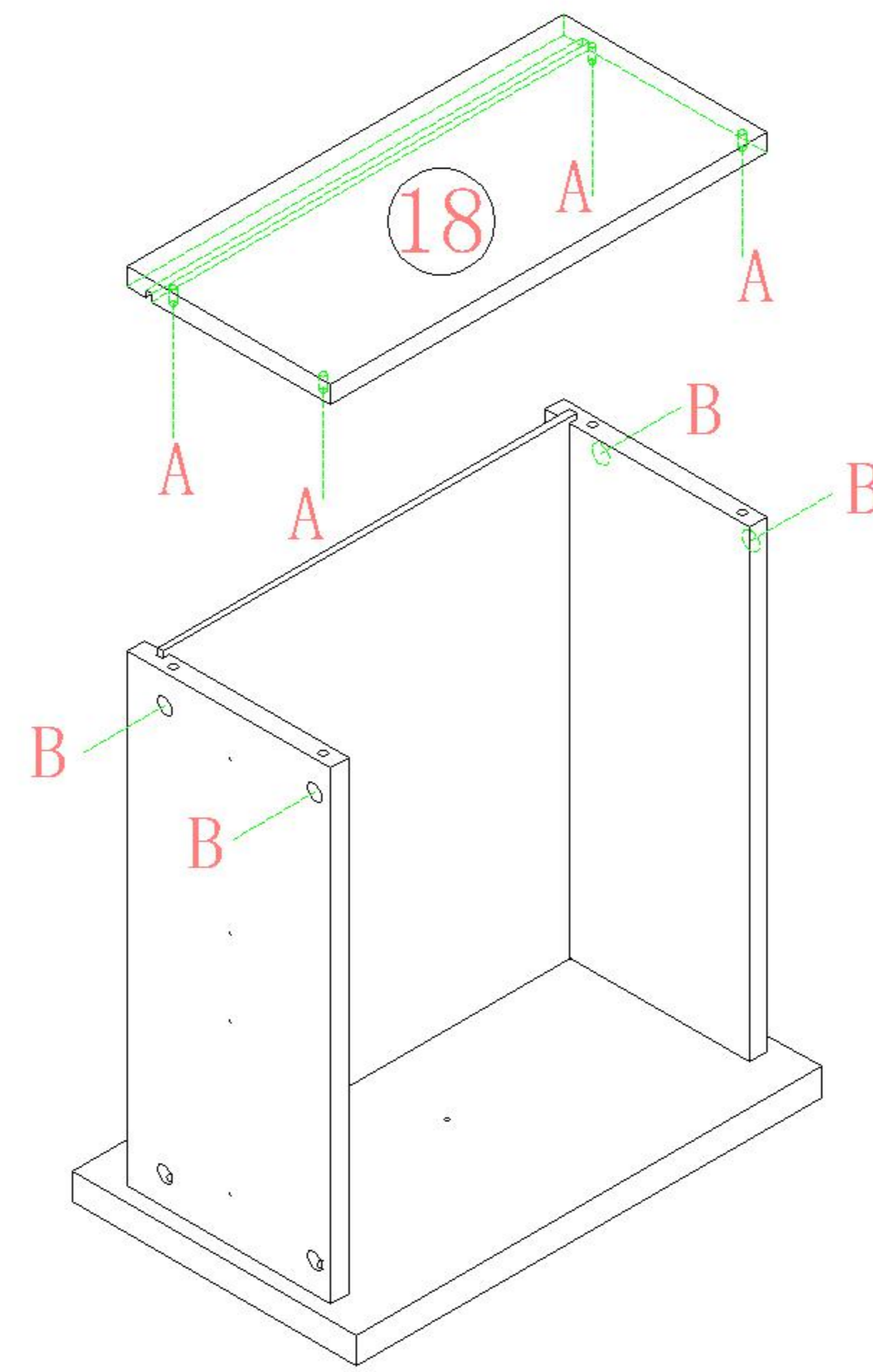
(A)\*24



(B)\*24



× 3



1



(D)\*18



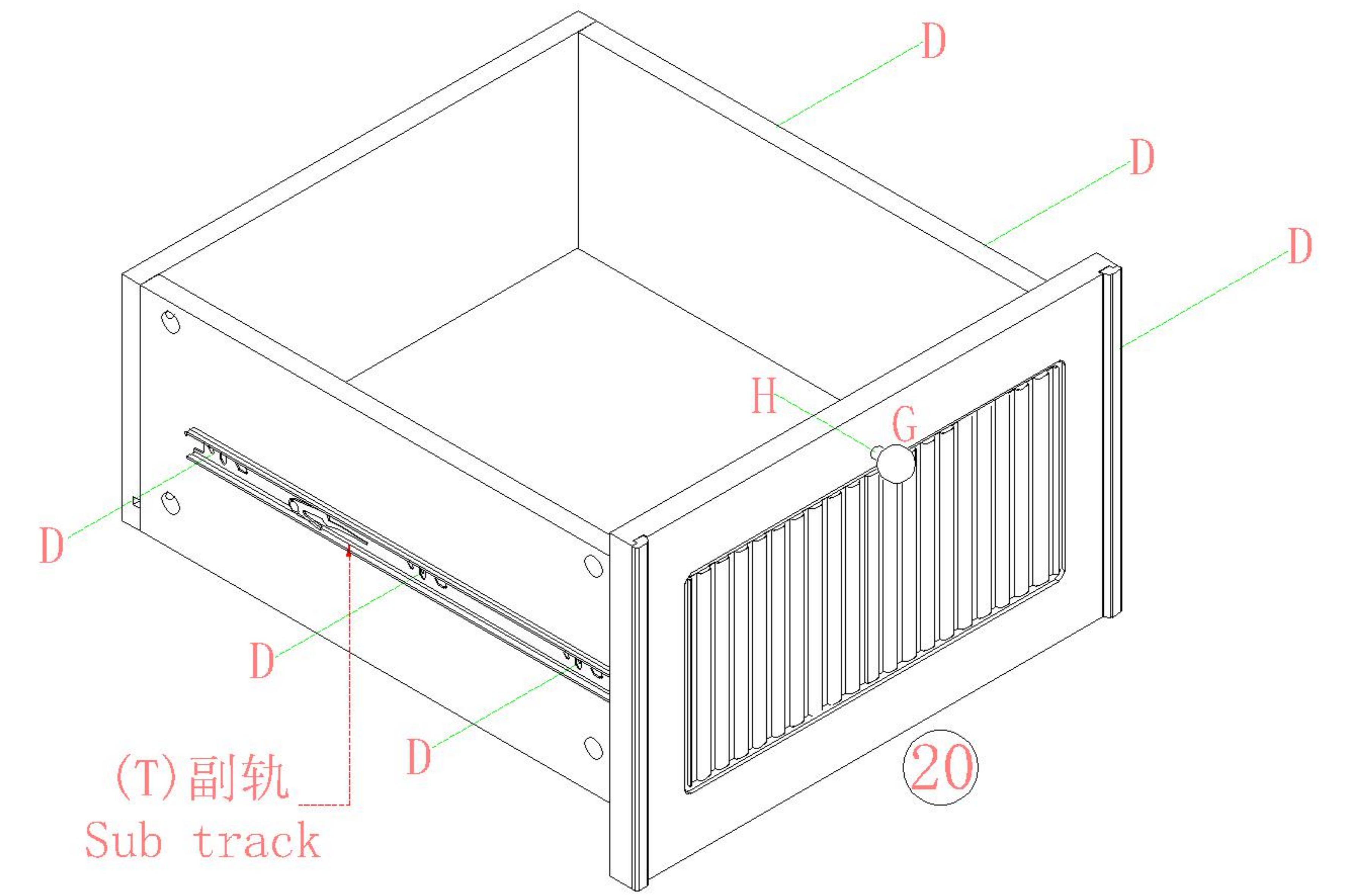
(G)\*3



(H)\*3



(T)\*3

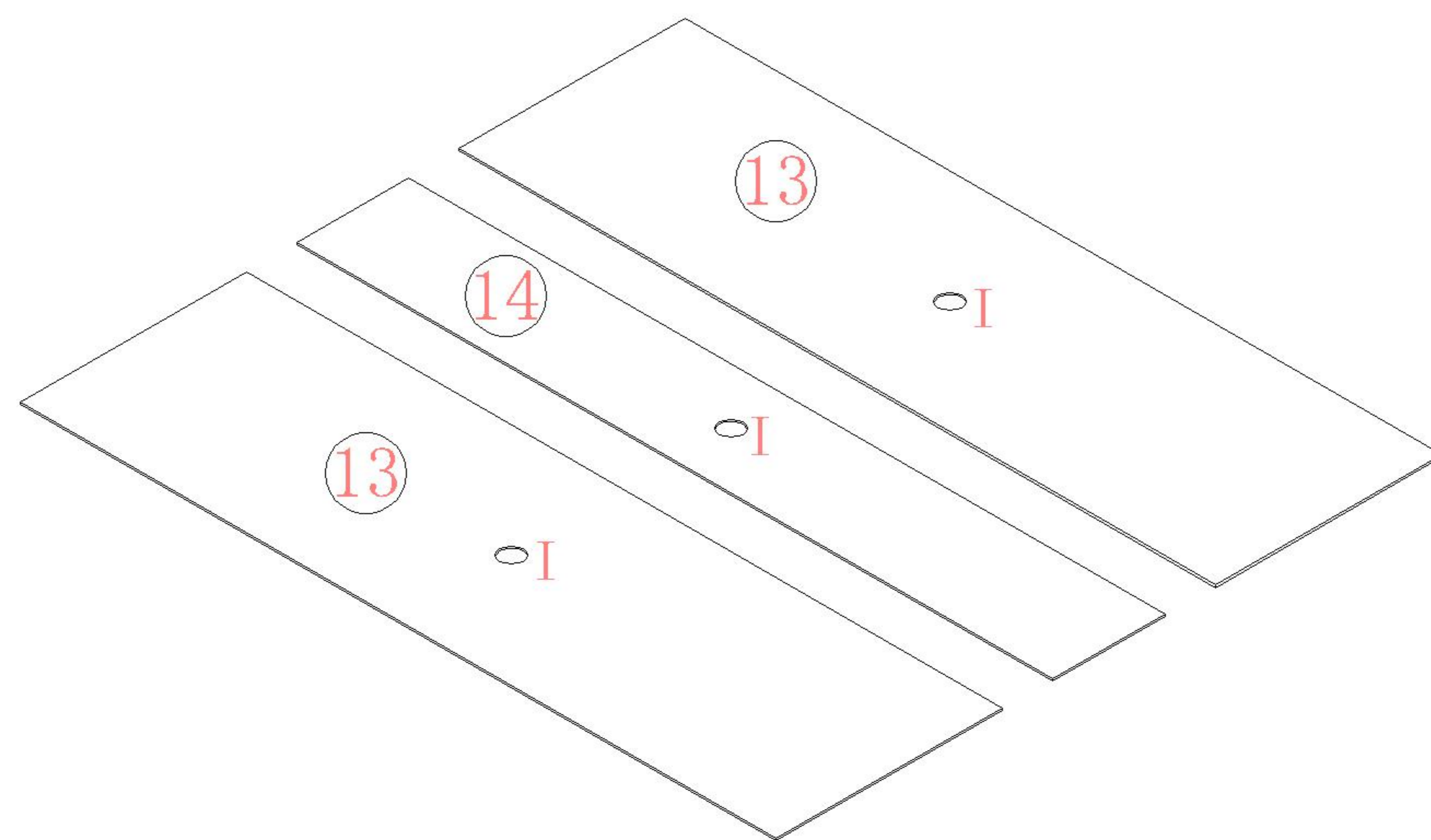


× 3

2



(I)\*3



3



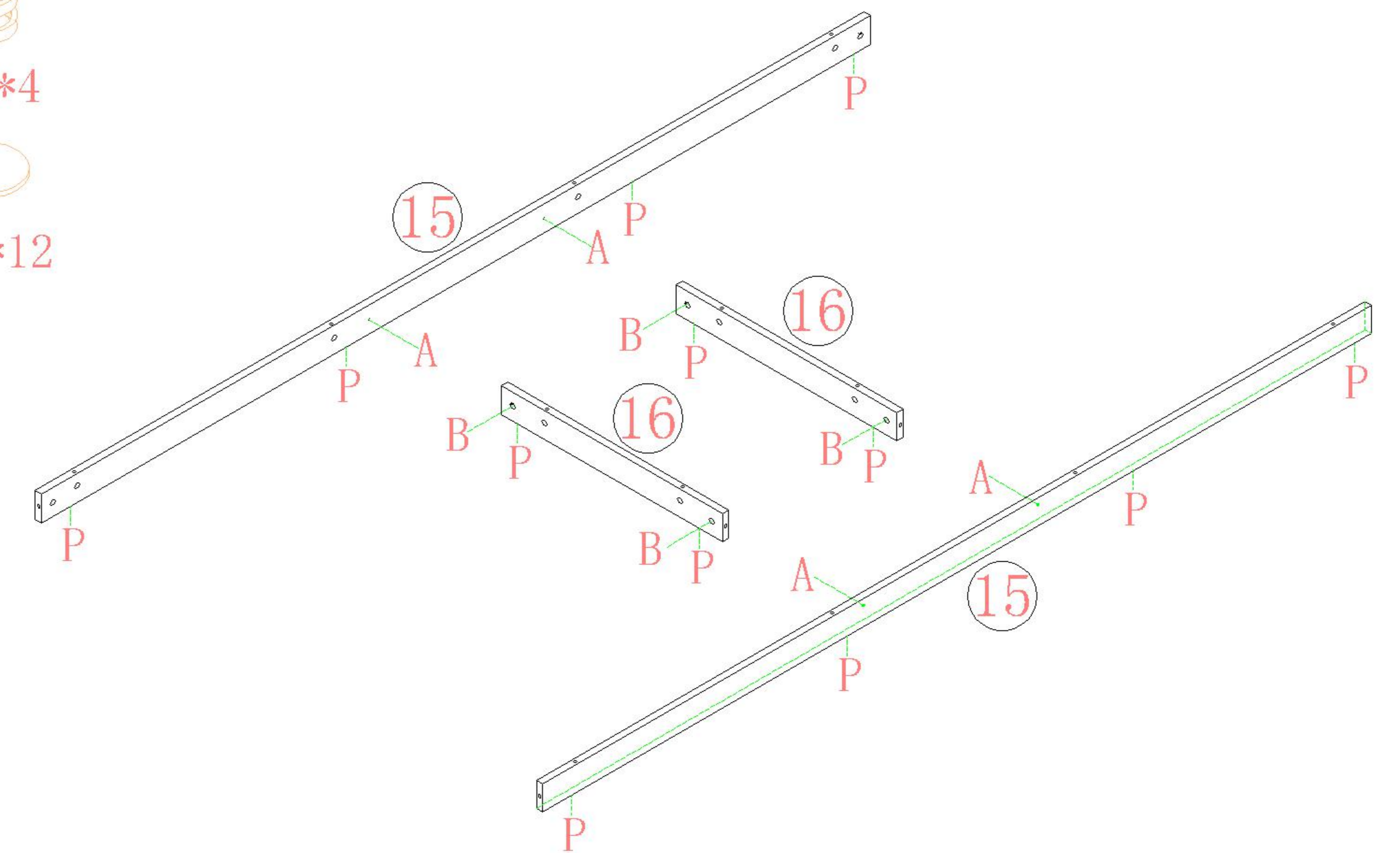
(A)\*4



(B)\*4



(P)\*12

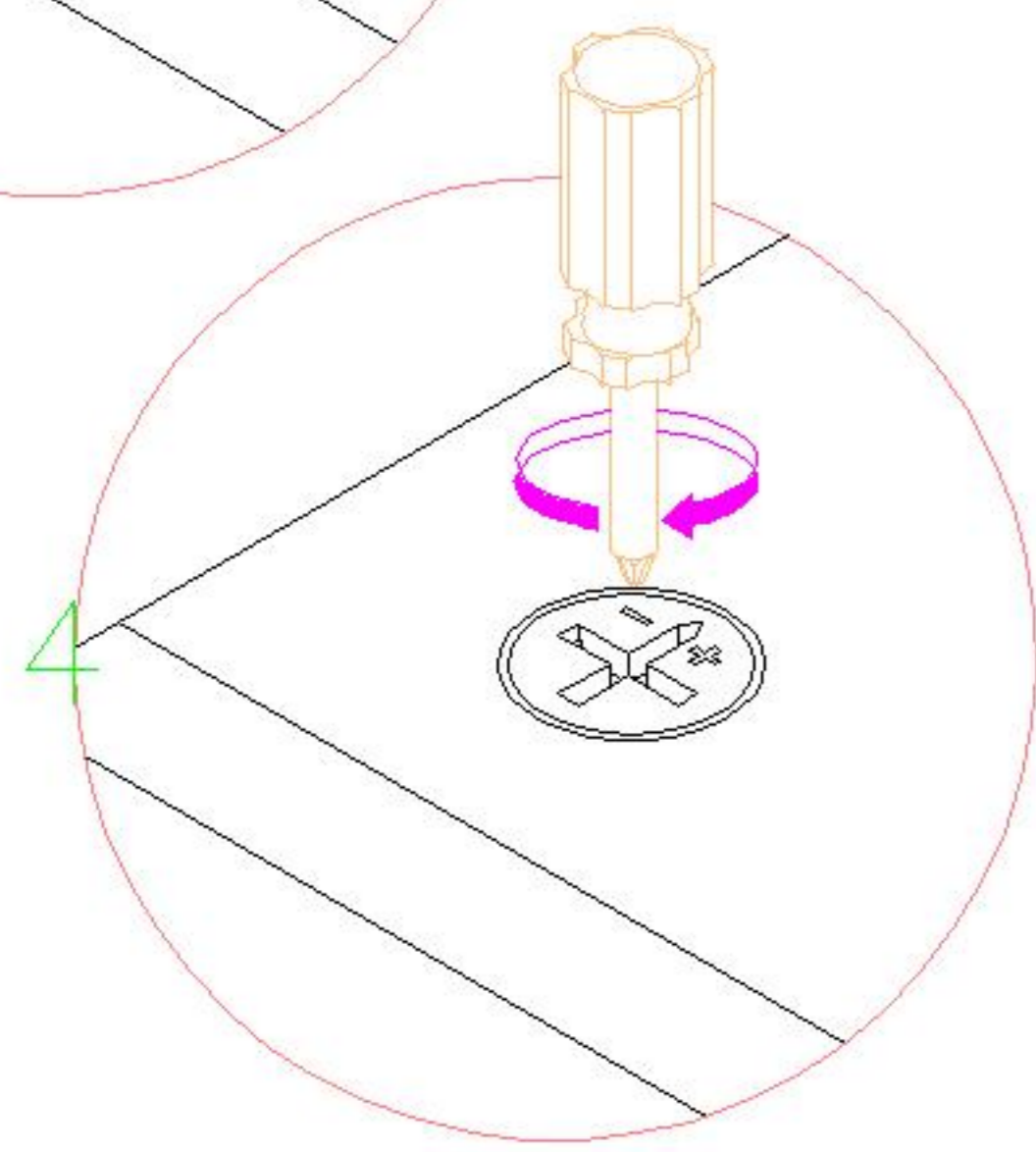
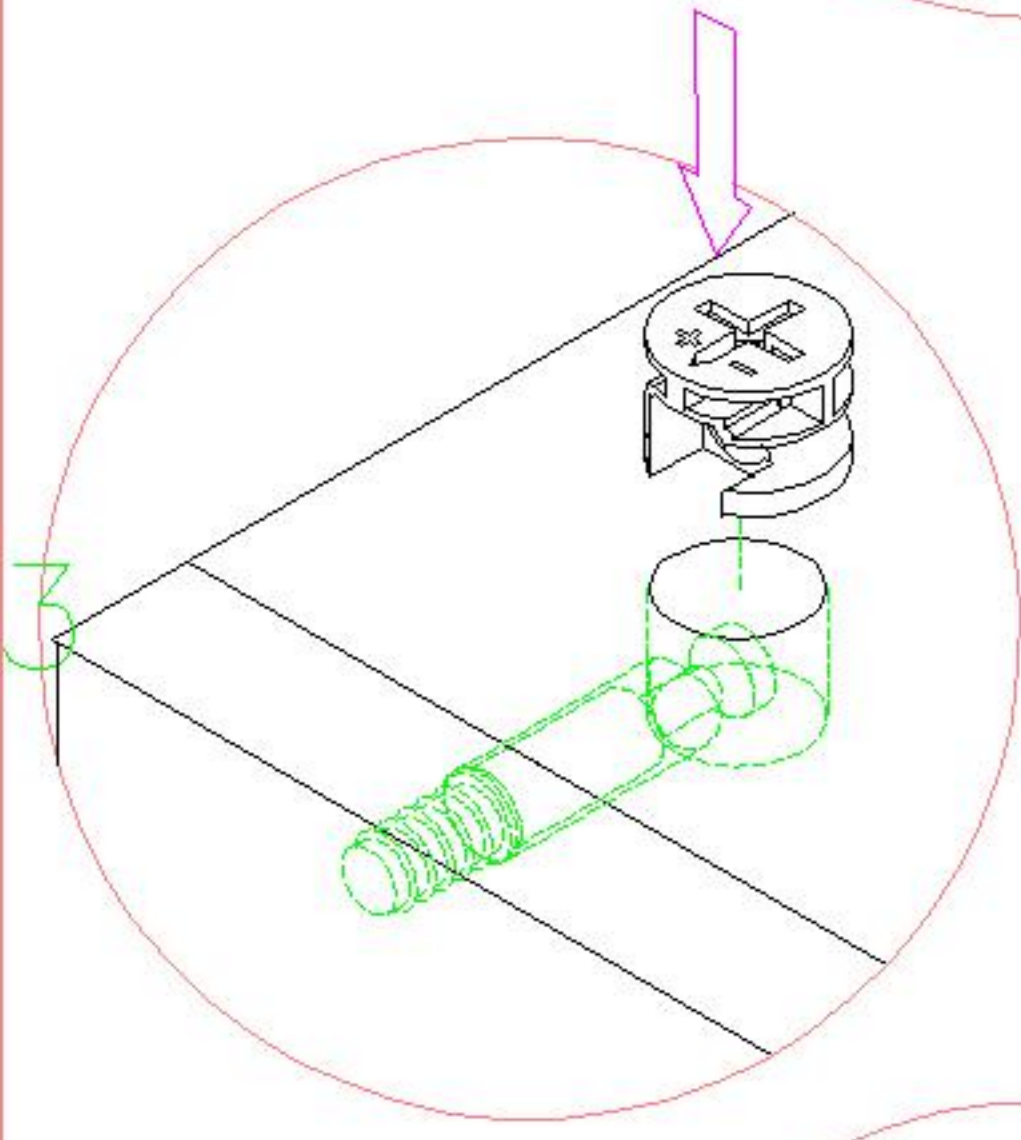
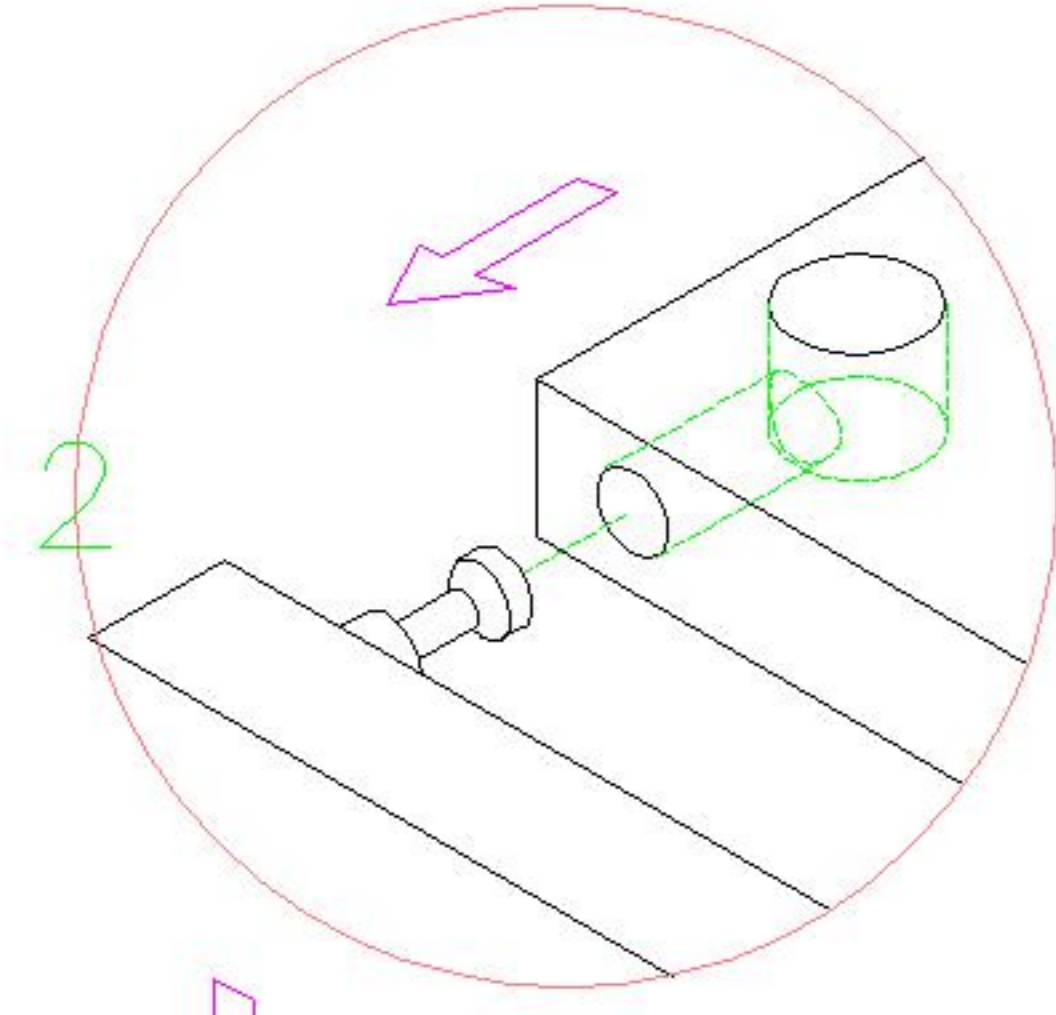
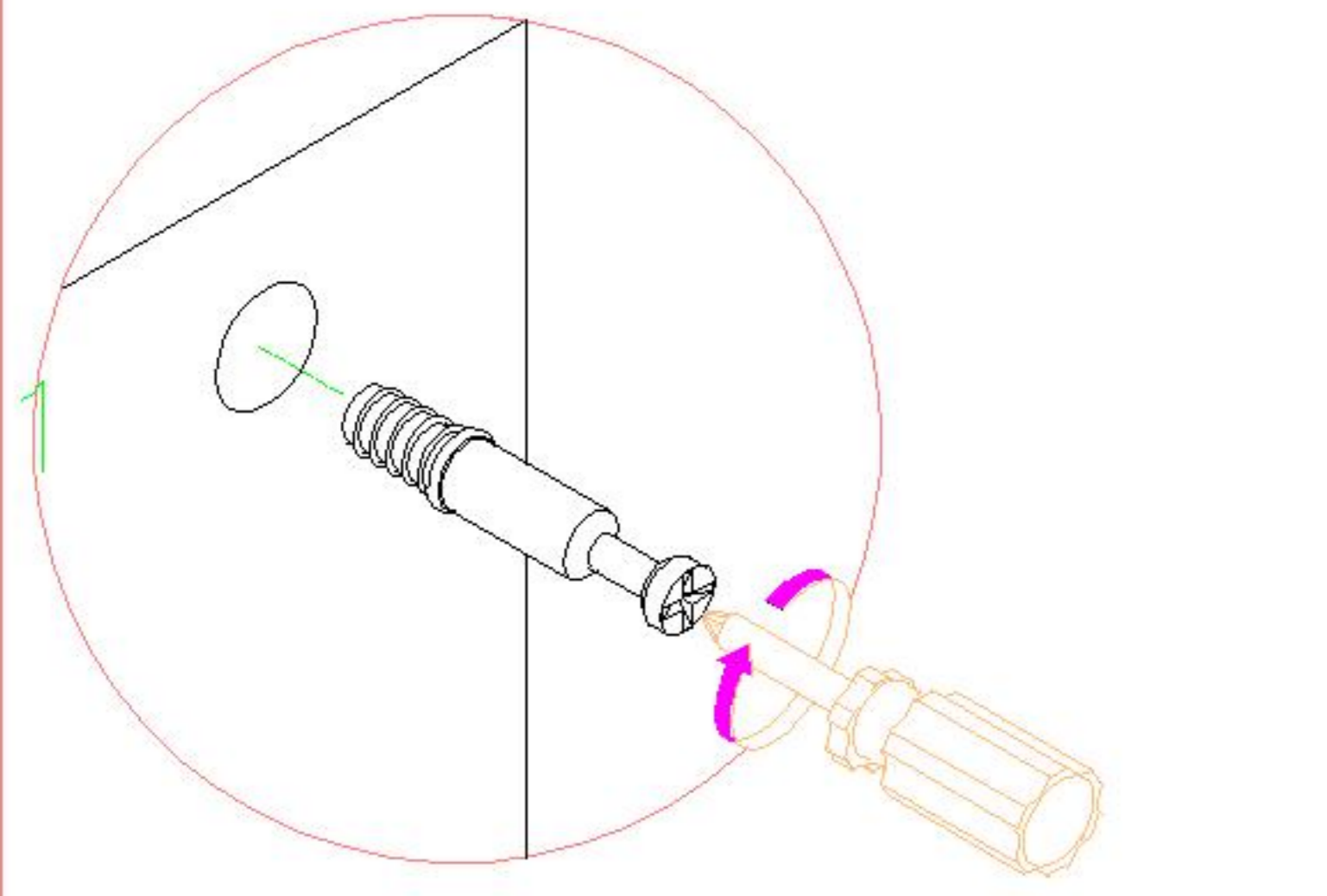


4



TE11D-A

安装方法/  
Installation method



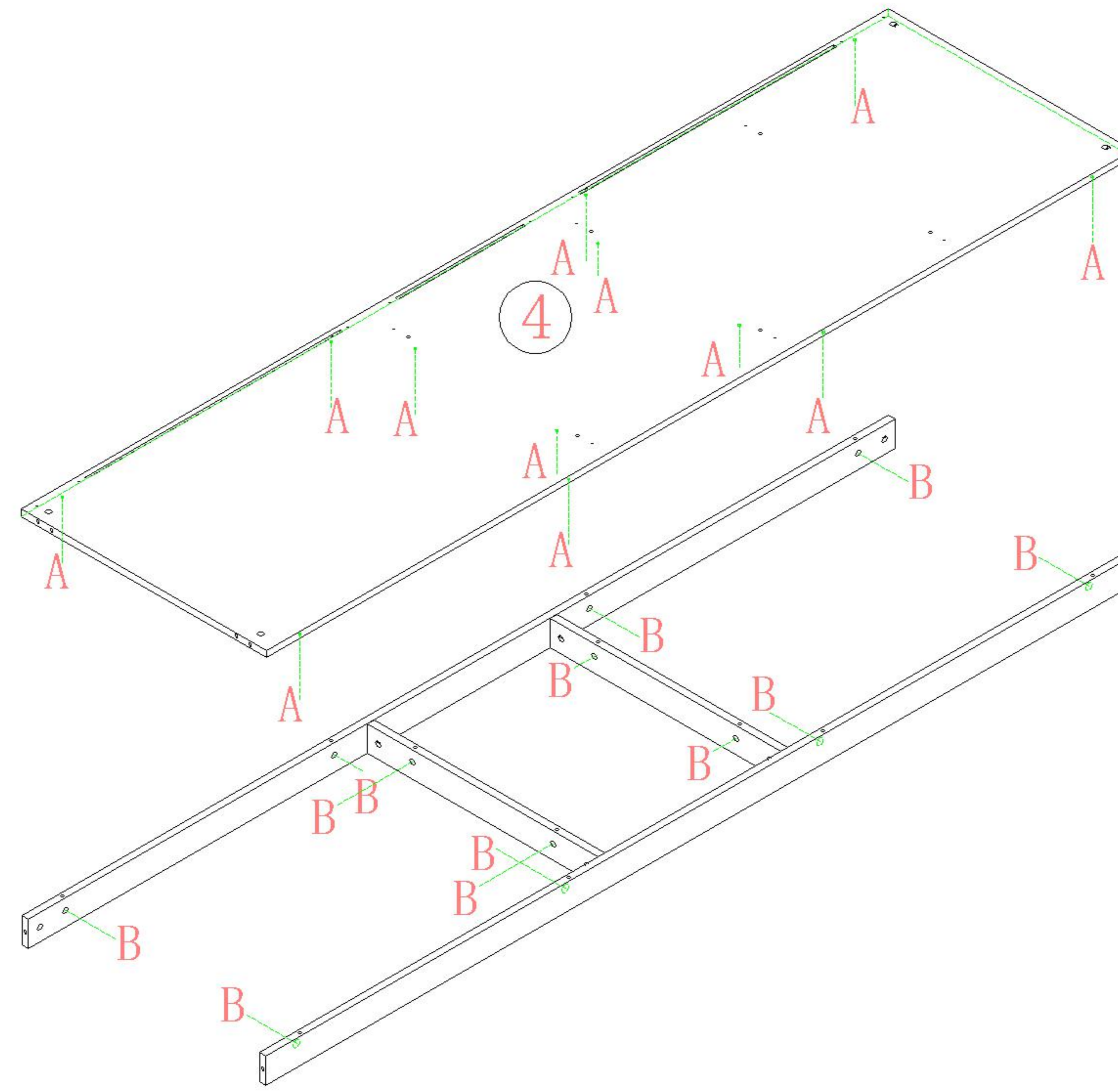
大二合一  
two-in-one



(A)\*12



(B)\*12



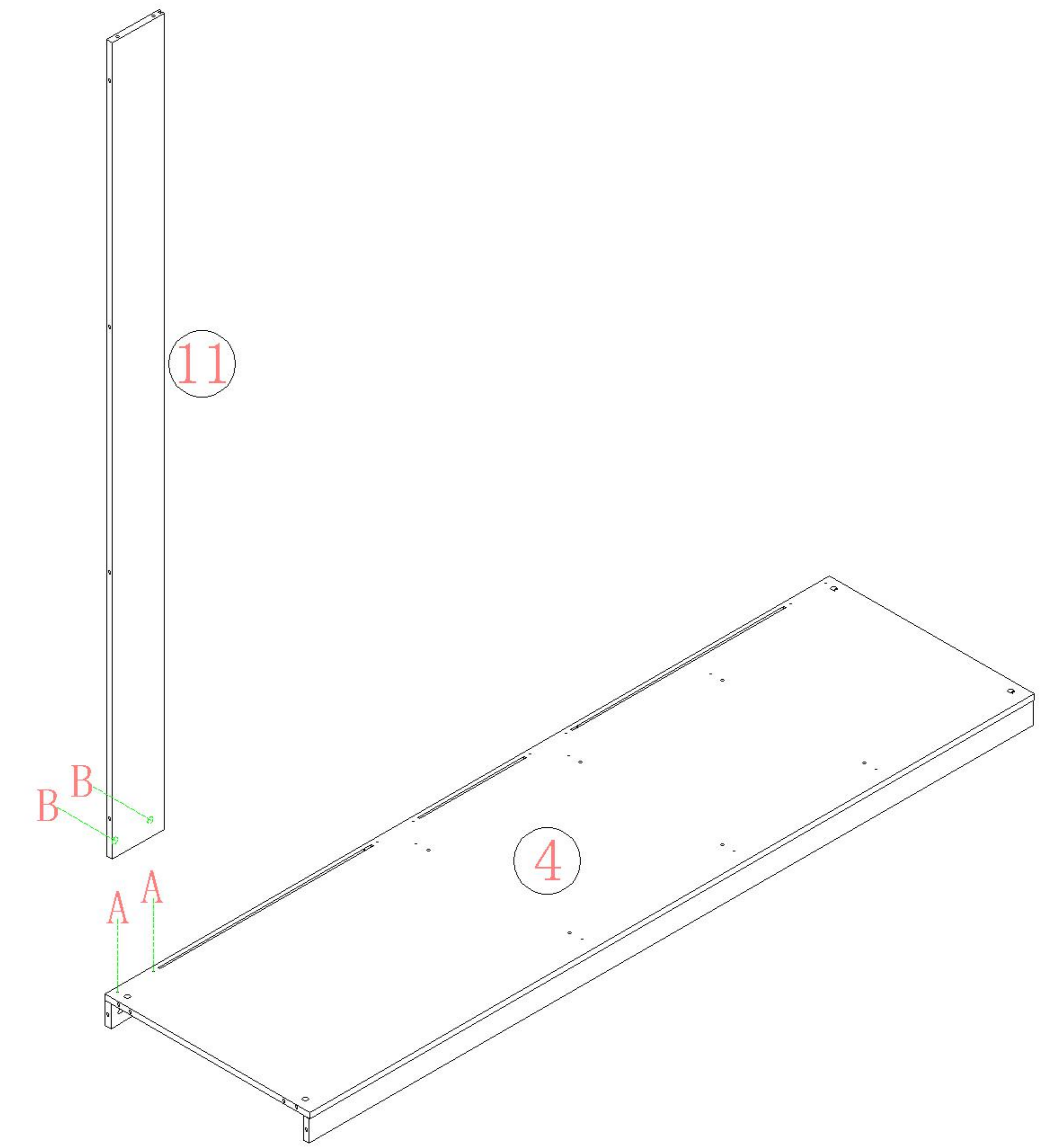
5



(A)\*2



(B)\*2



6



(A)\*8



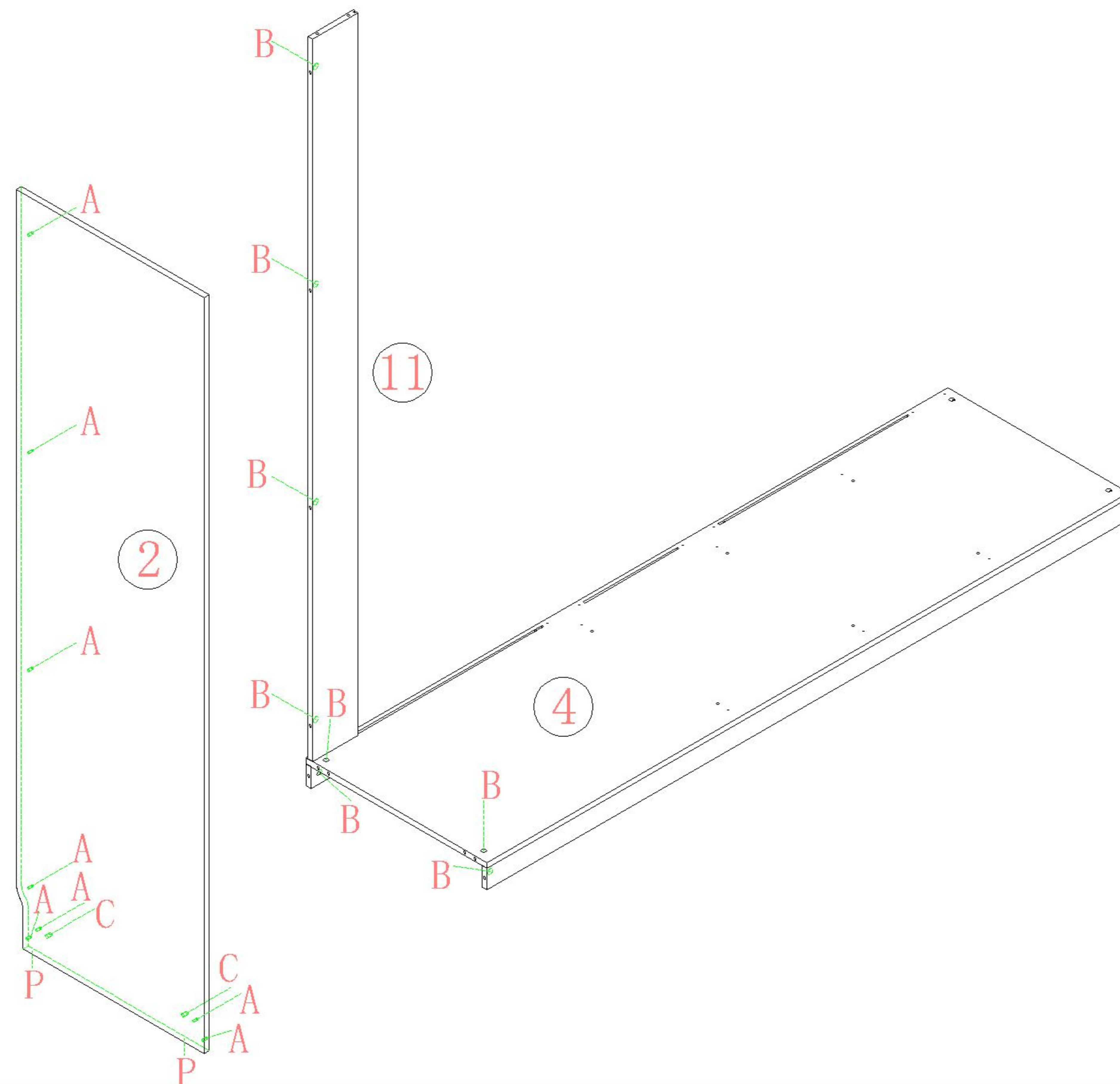
(B)\*8



(C)\*2



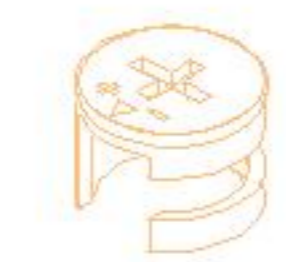
(P)\*2



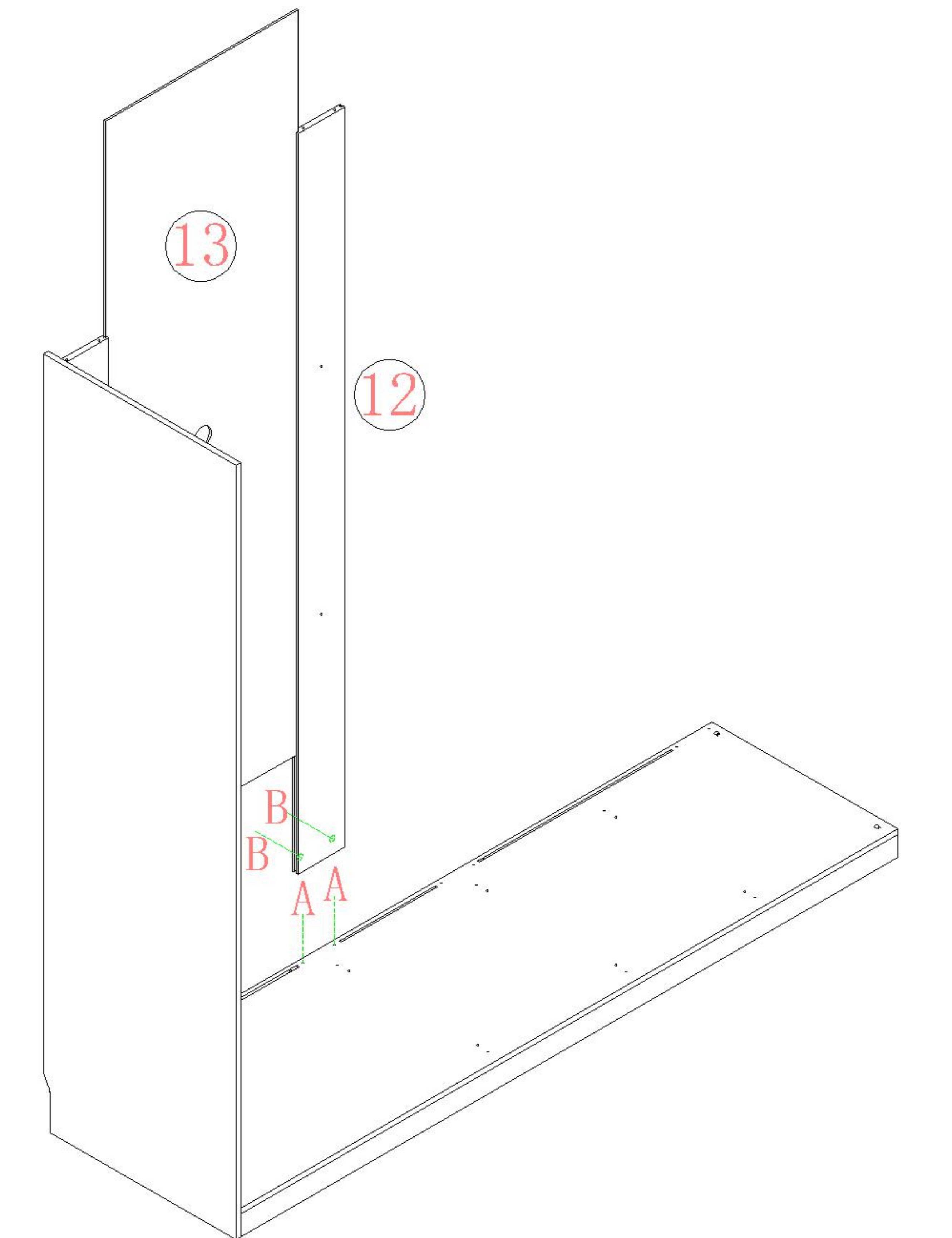
7



(A)\*2



(B)\*2

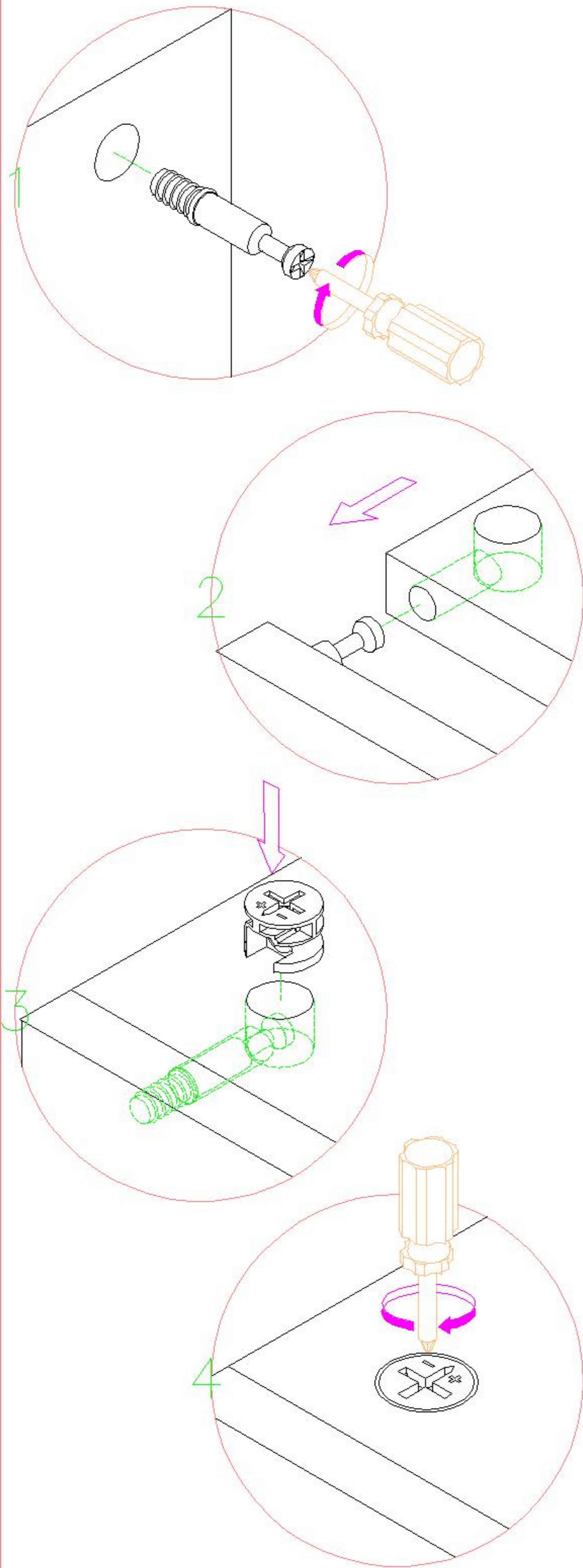


8



TE11D-A

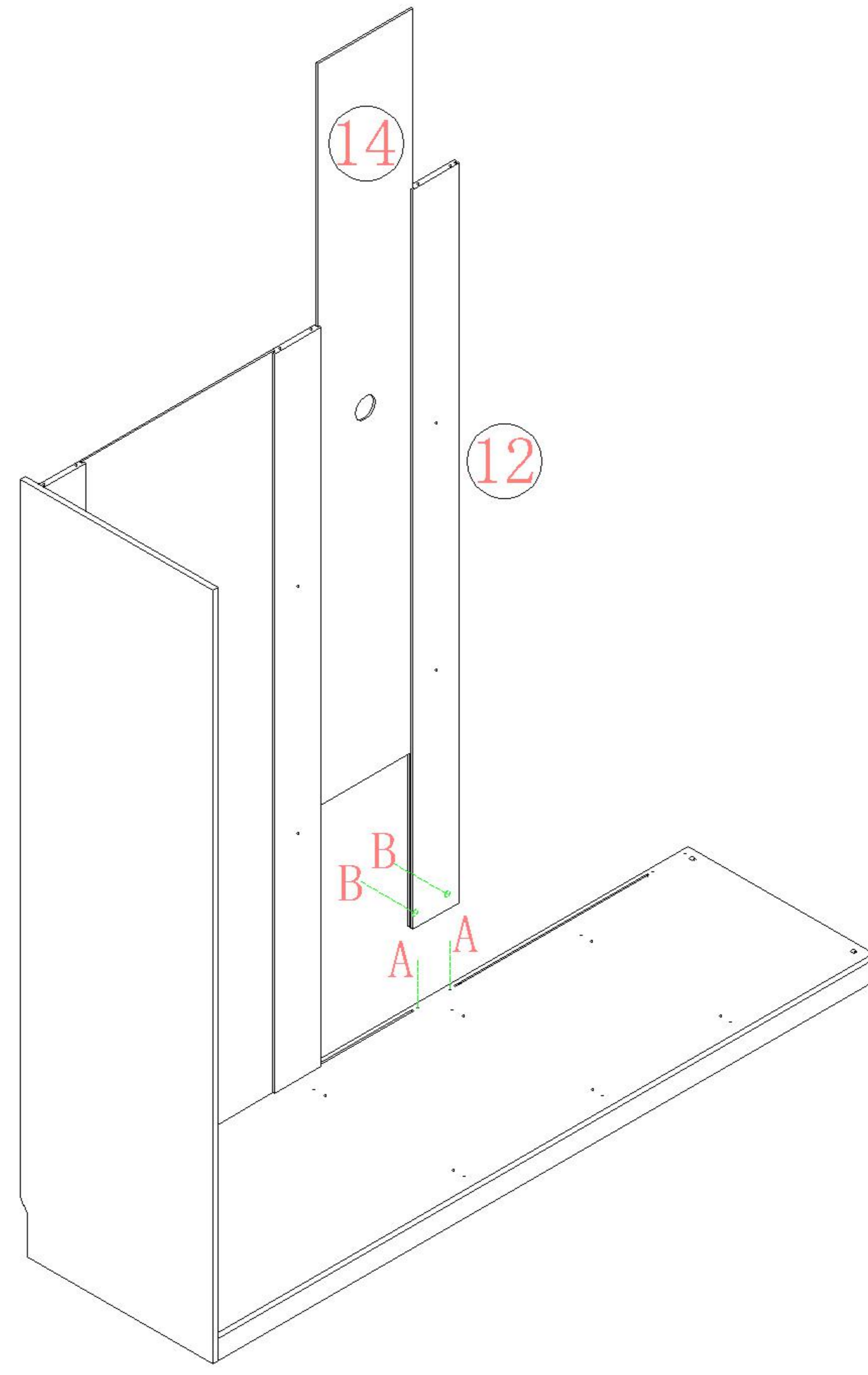
安装方法/  
Installation method



大二合一  
two-in-one

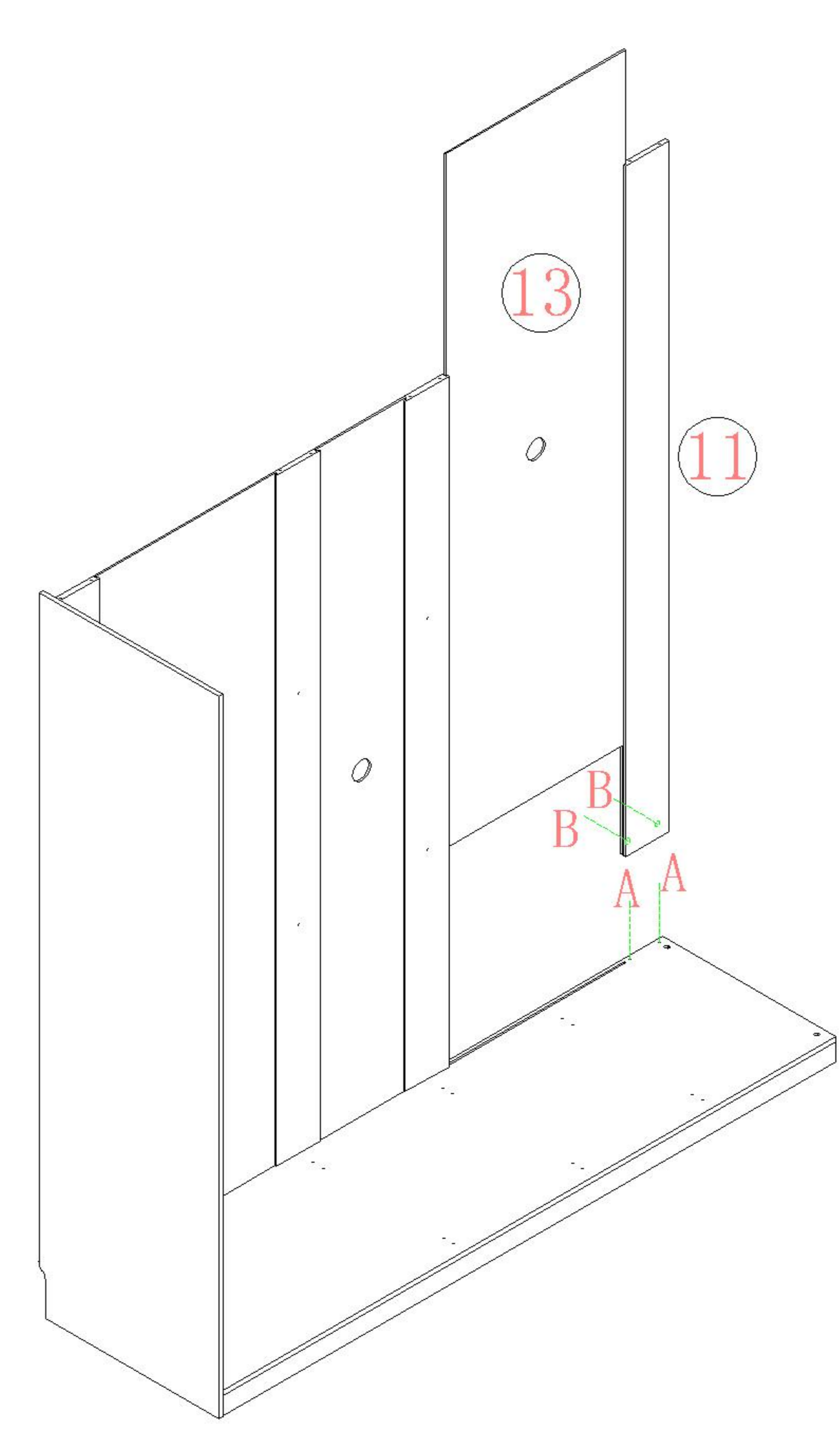
- (A)\*2
- (B)\*2

- (A)\*8
- (B)\*8
- (C)\*2
- (P)\*2

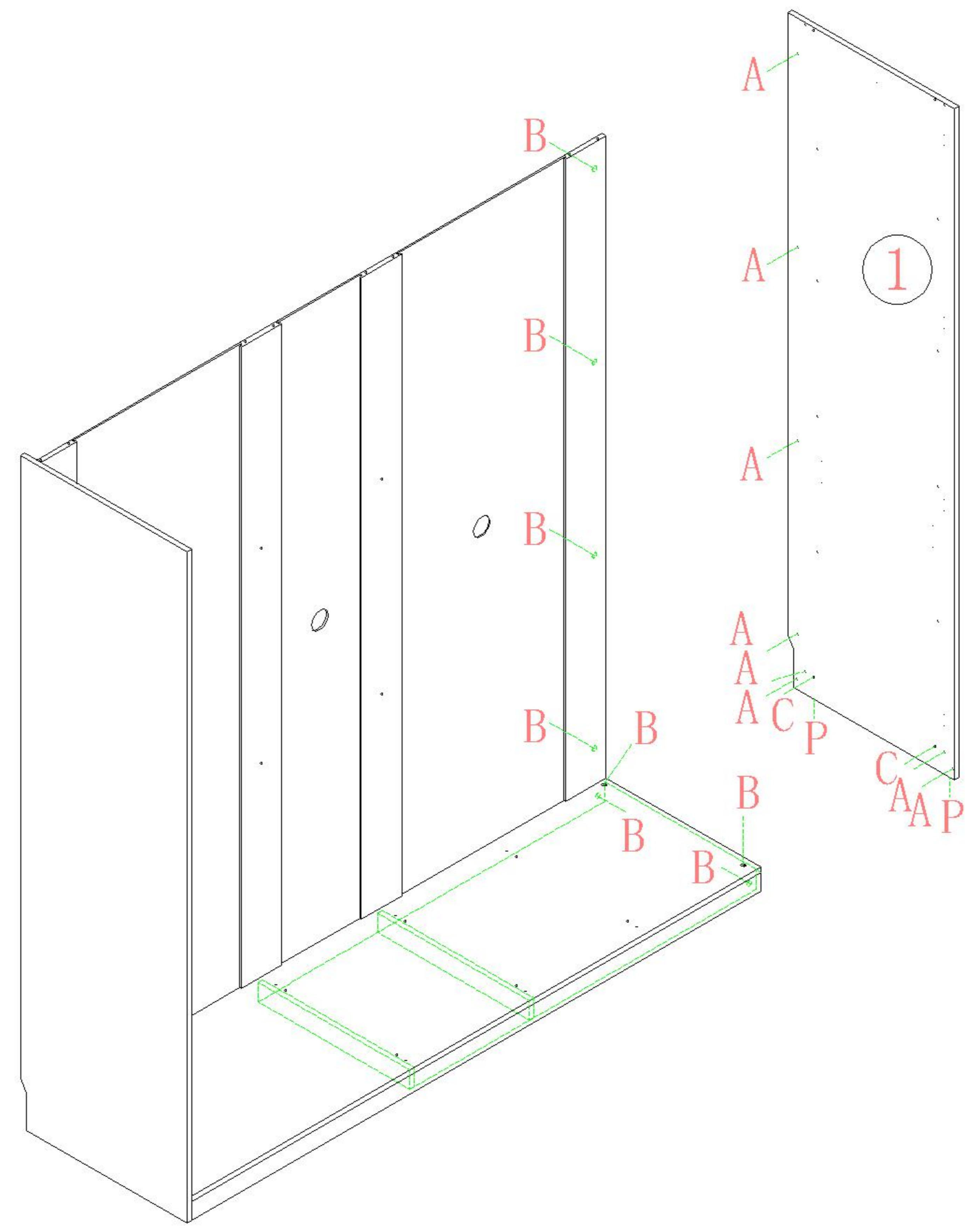


9

- (A)\*2
- (B)\*2

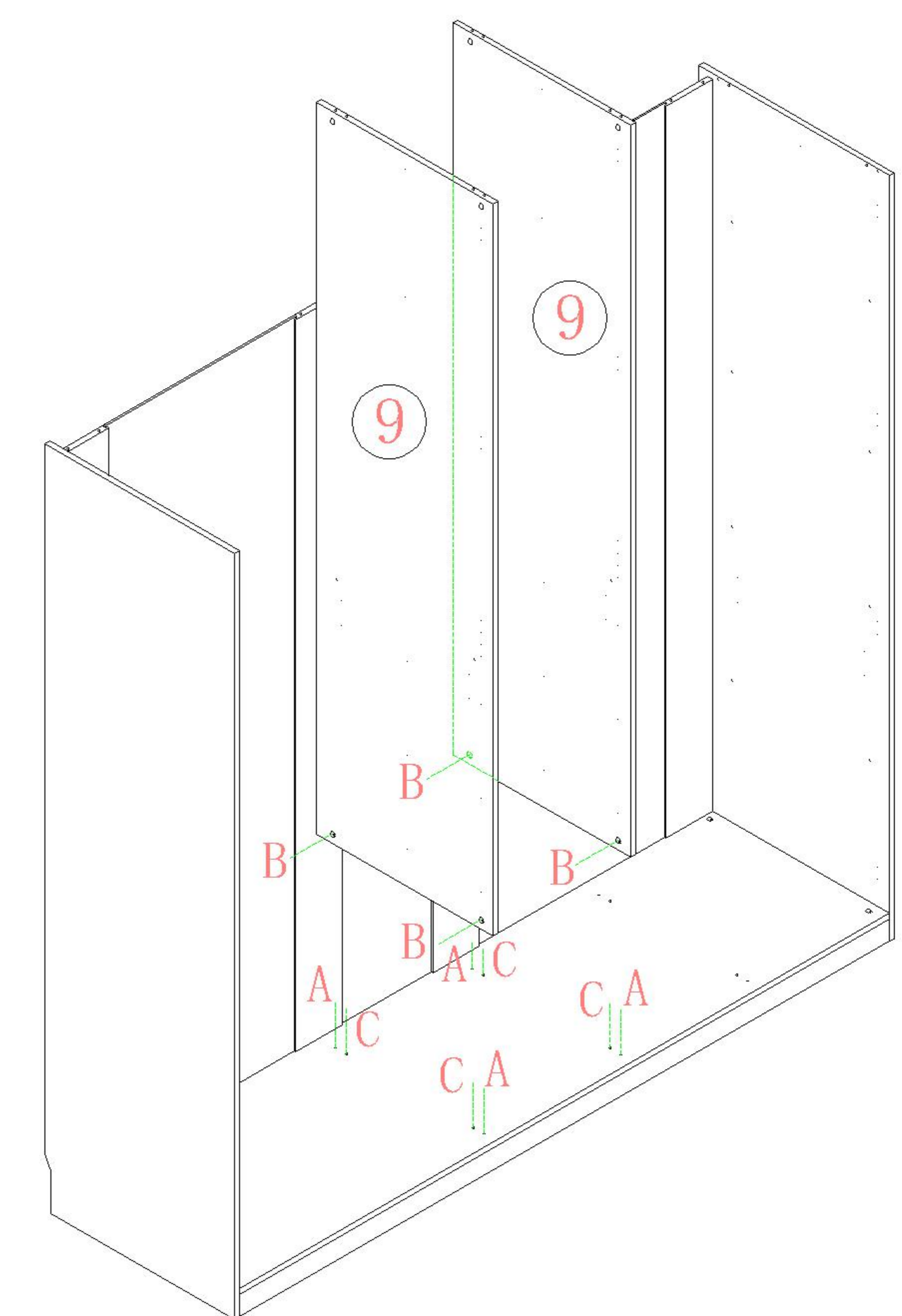


10



11

- (A)\*4
- (B)\*4
- (C)\*4

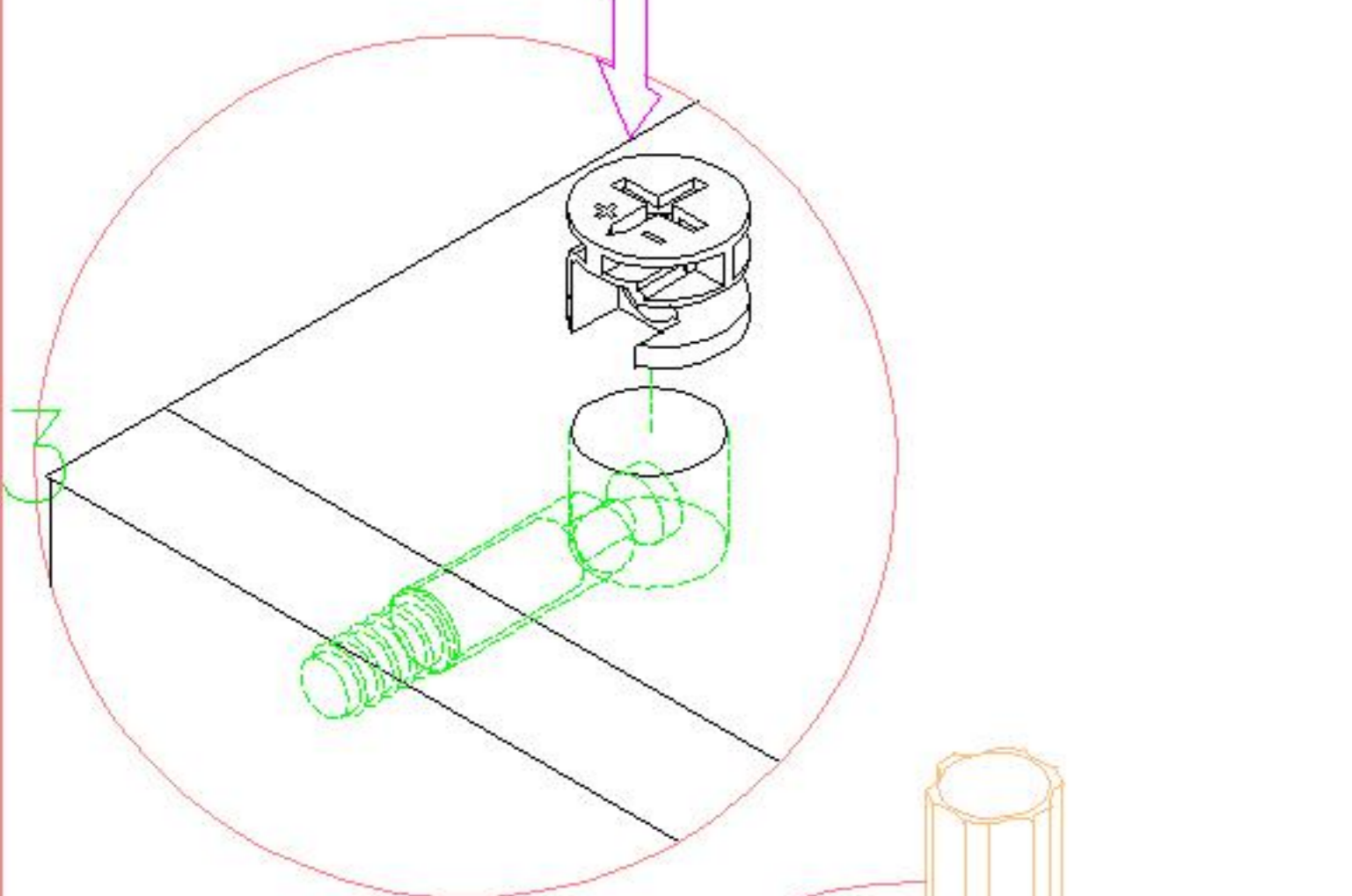
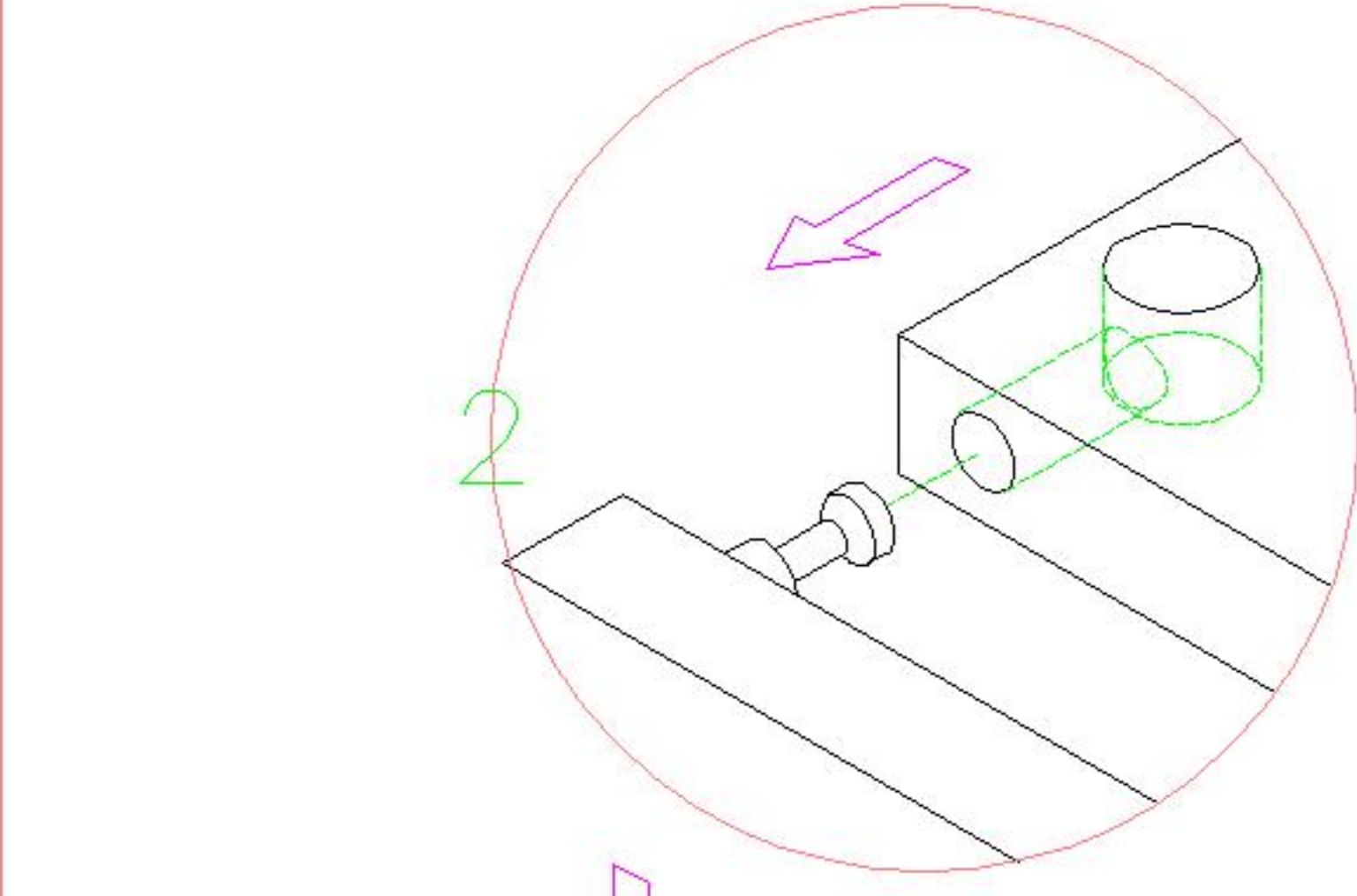
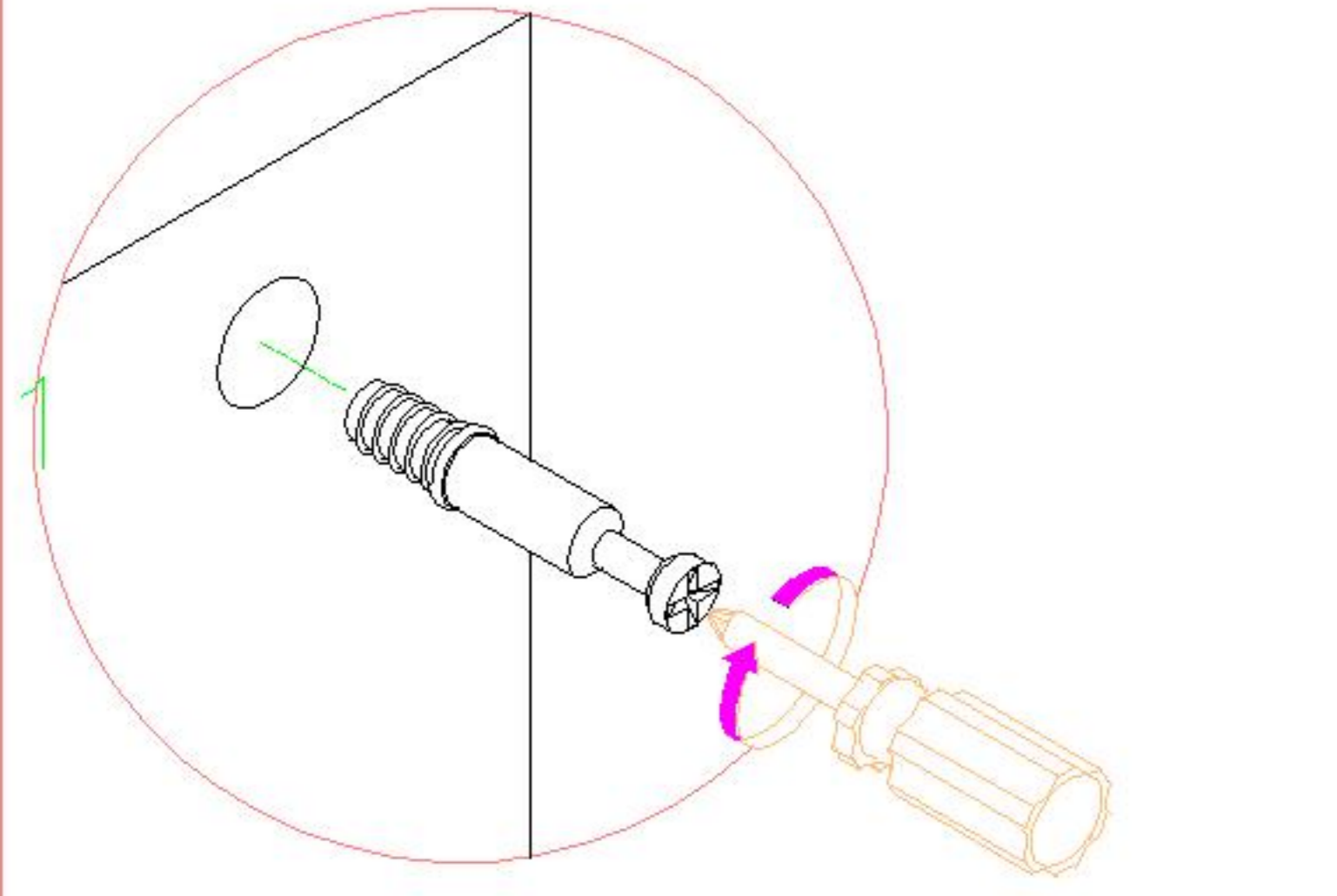


12

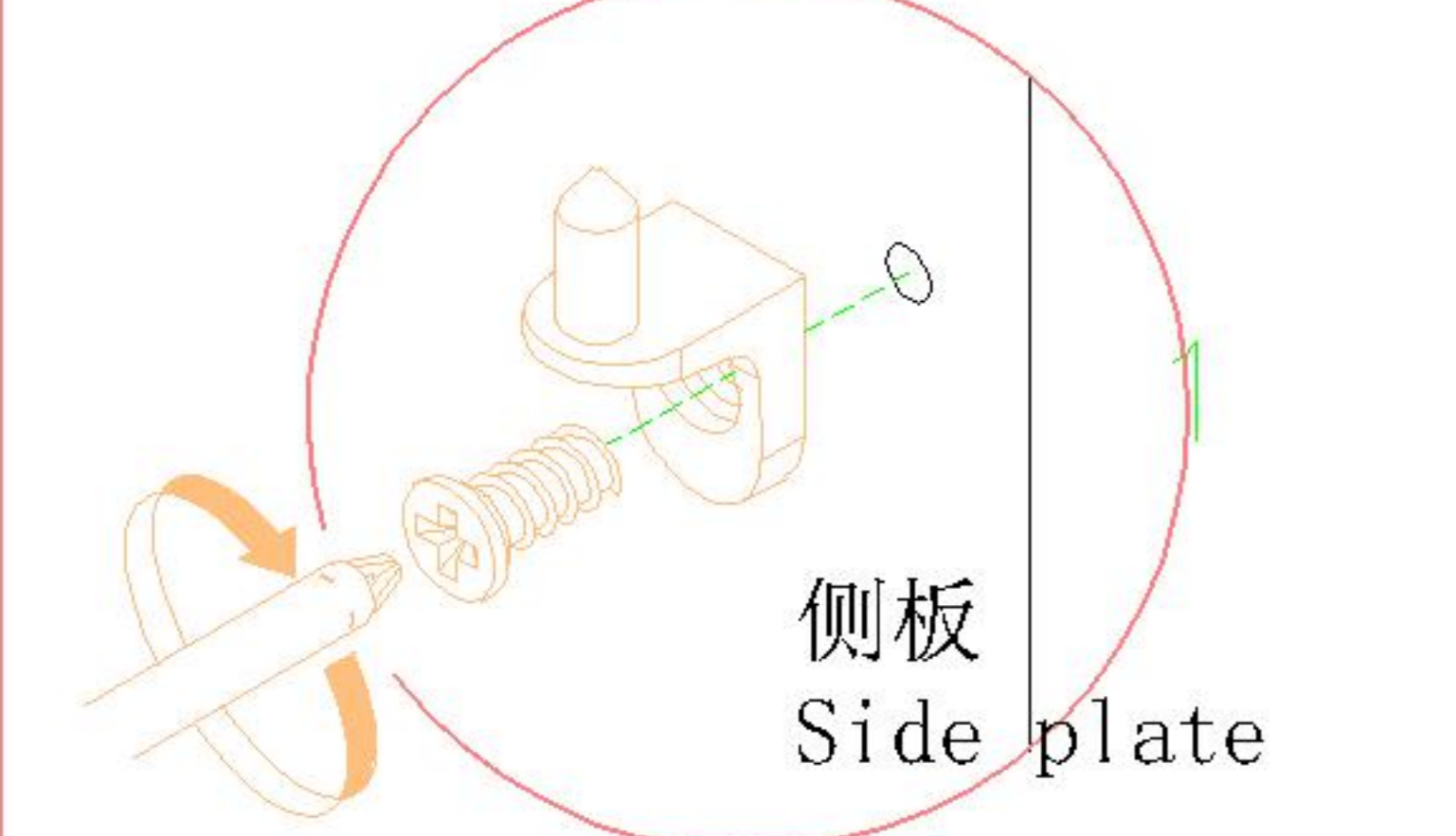


TE11D-A

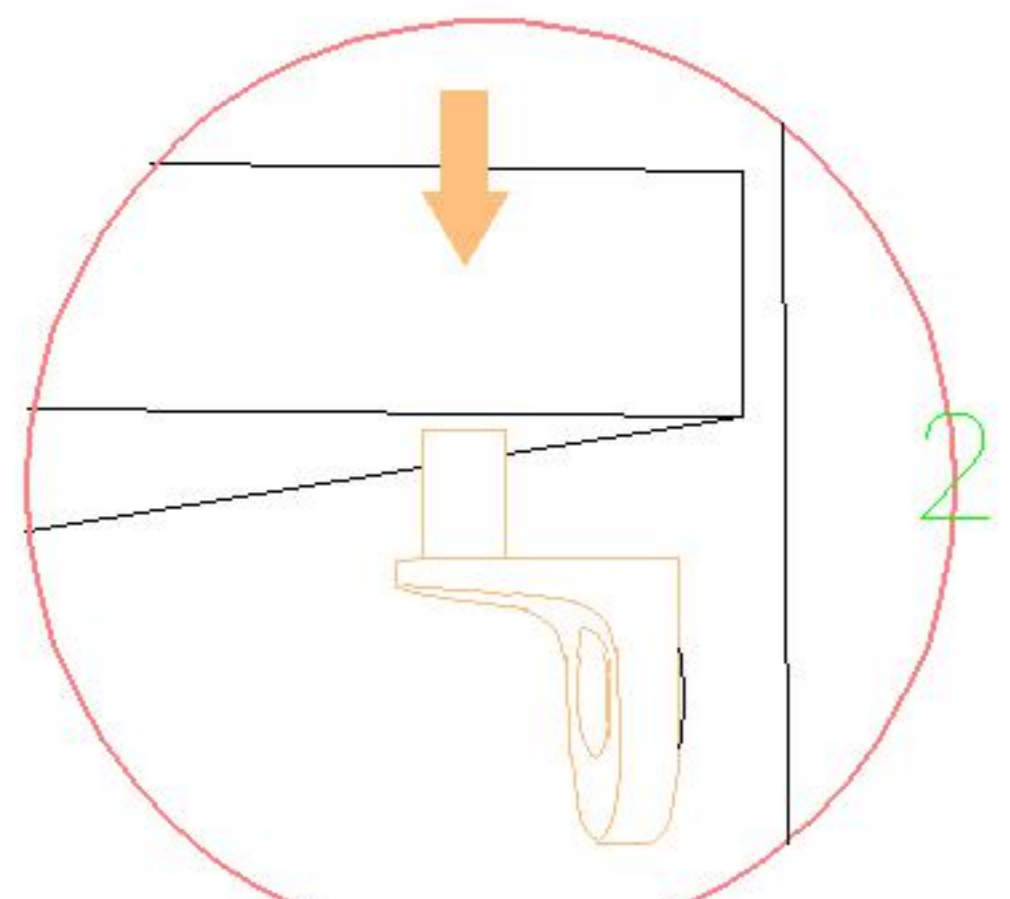
安装方法/  
Installation method



大二合一  
two-in-one



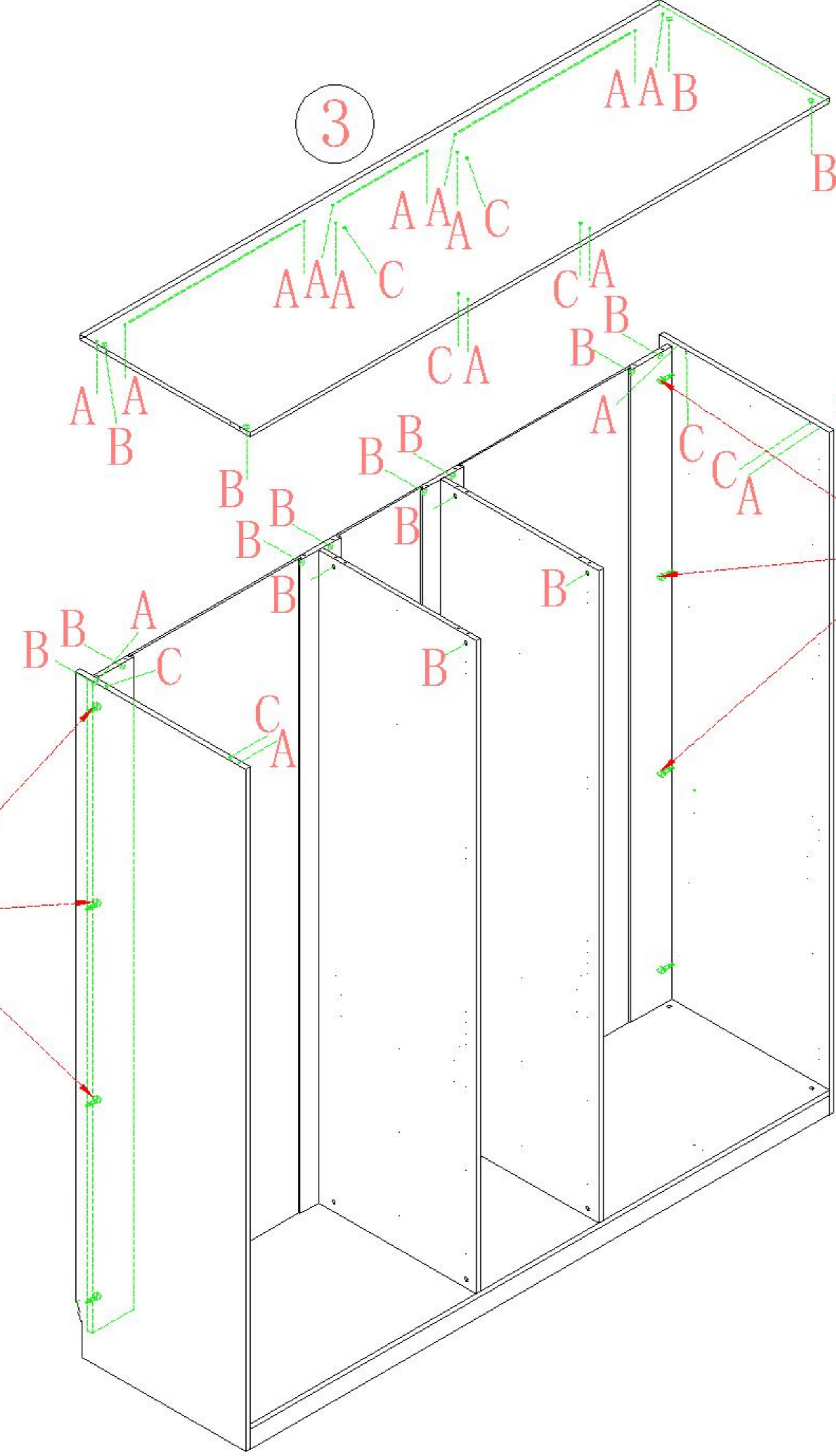
侧板  
Side plate



层板托5mm  
shelf support

- (A)\*16
- (B)\*16
- (C)\*8

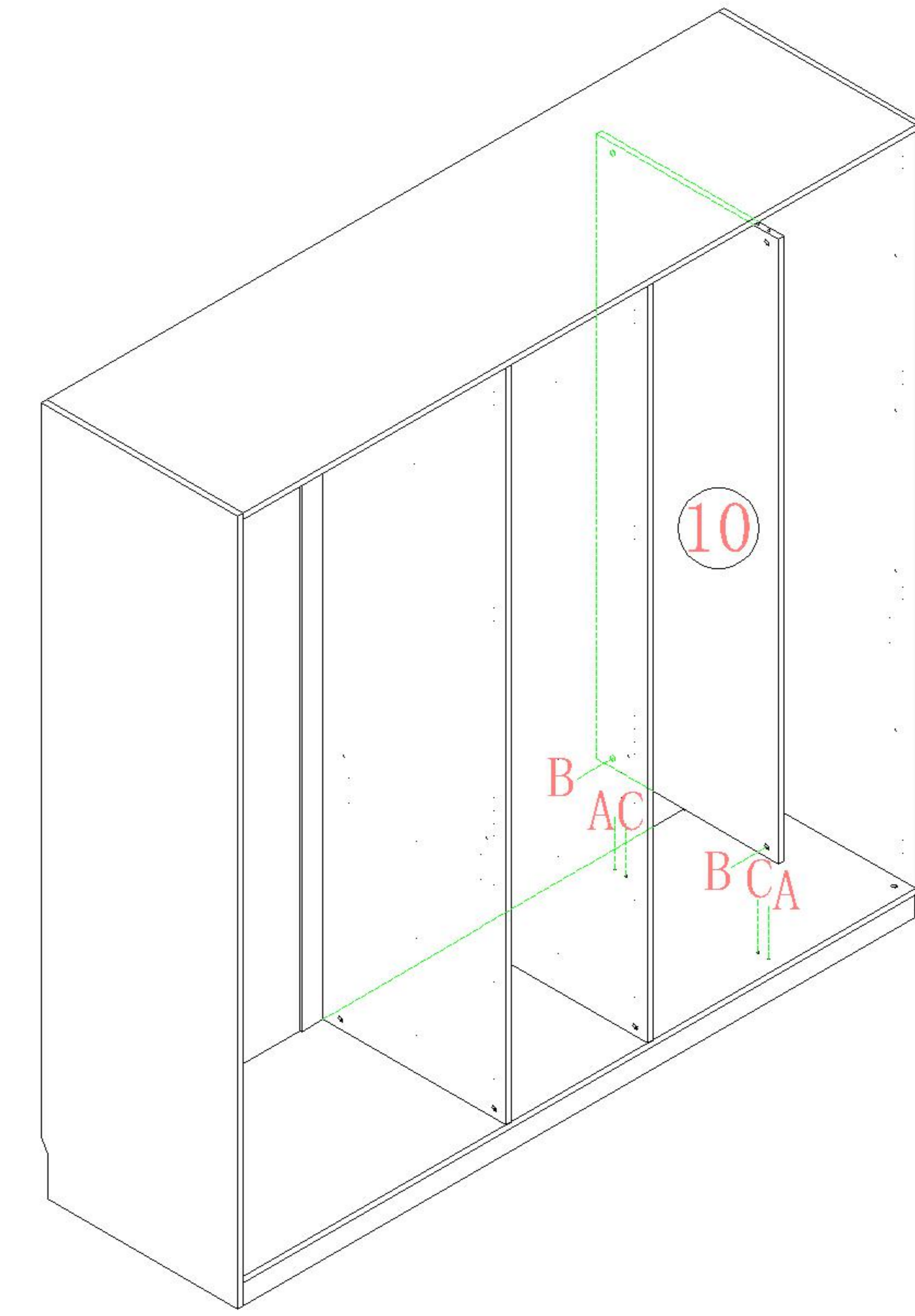
注：安装部件3时，  
松开背面的锁块，  
然后安装  
Note: When  
installing part  
3, loosen the  
lock block on  
the back, and  
then install



注：安装部件3时，  
松开背面的锁块，  
然后安装  
Note: When  
installing part  
3, loosen the  
lock block on  
the back, and  
then install

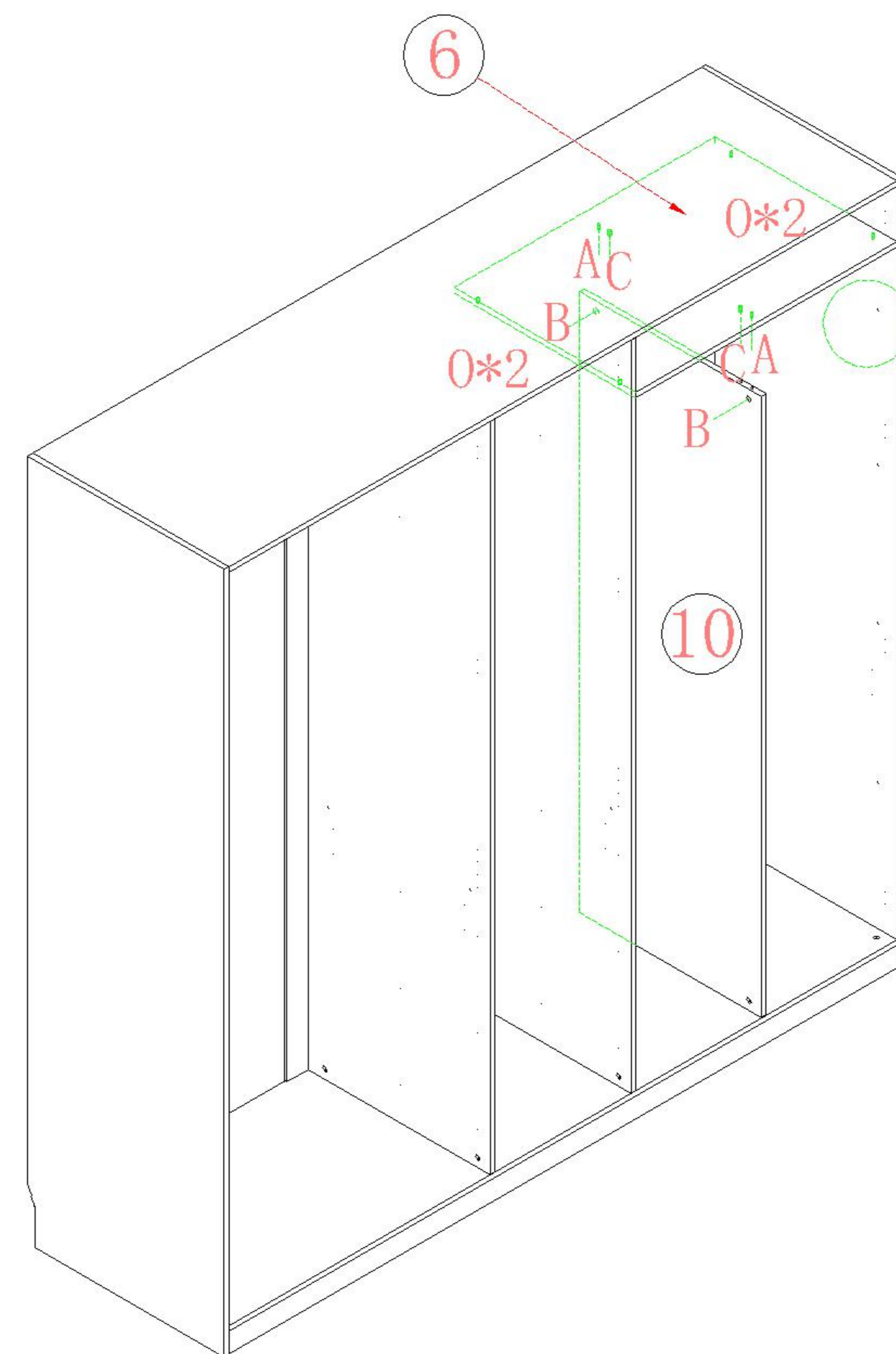
13

- (A)\*2
- (B)\*2
- (C)\*2



14

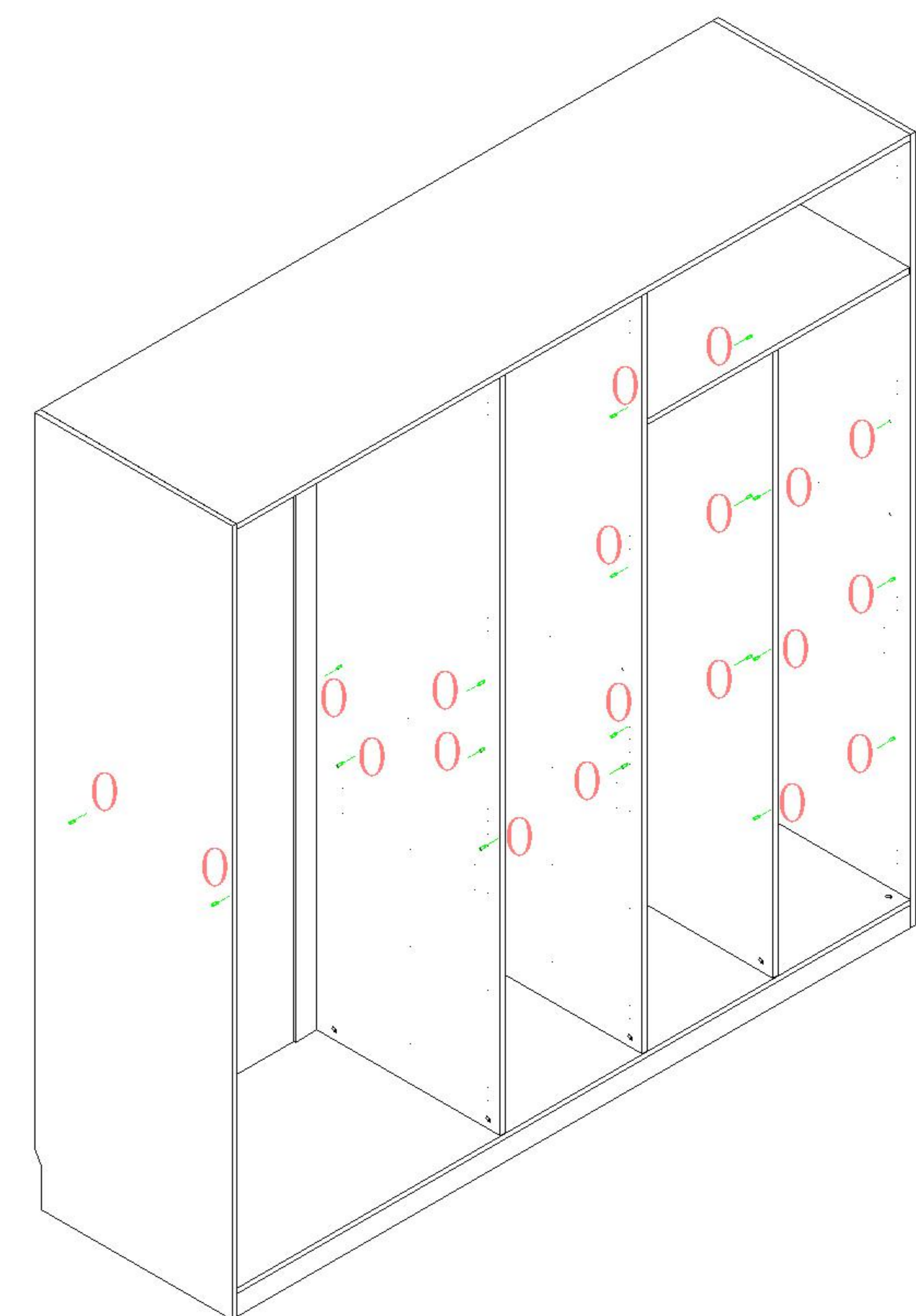
- (A)\*2
- (B)\*2
- (C)\*2
- (O)\*4



侧板  
Side plate

15

- (O)\*20



16

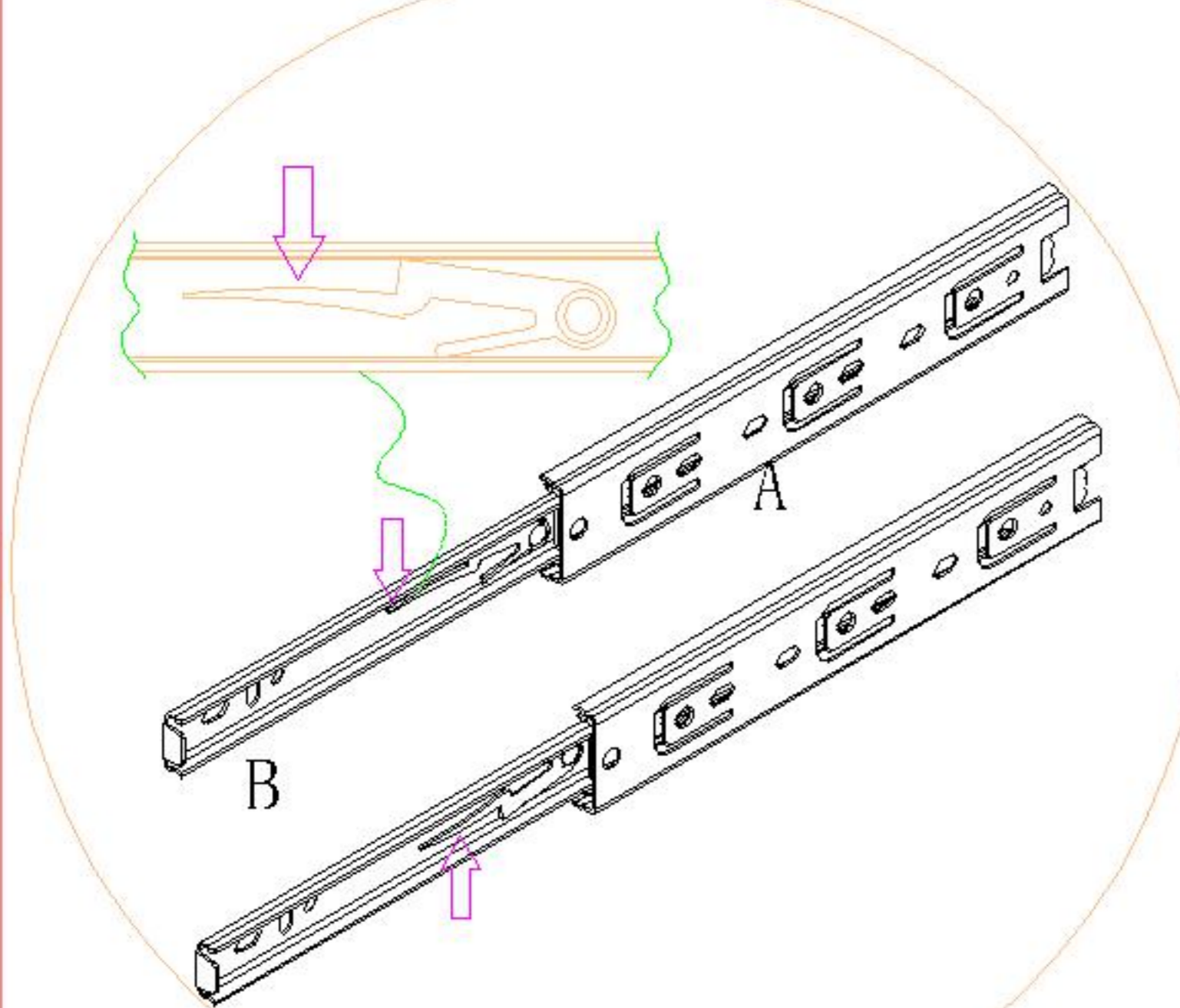


TE11D-A

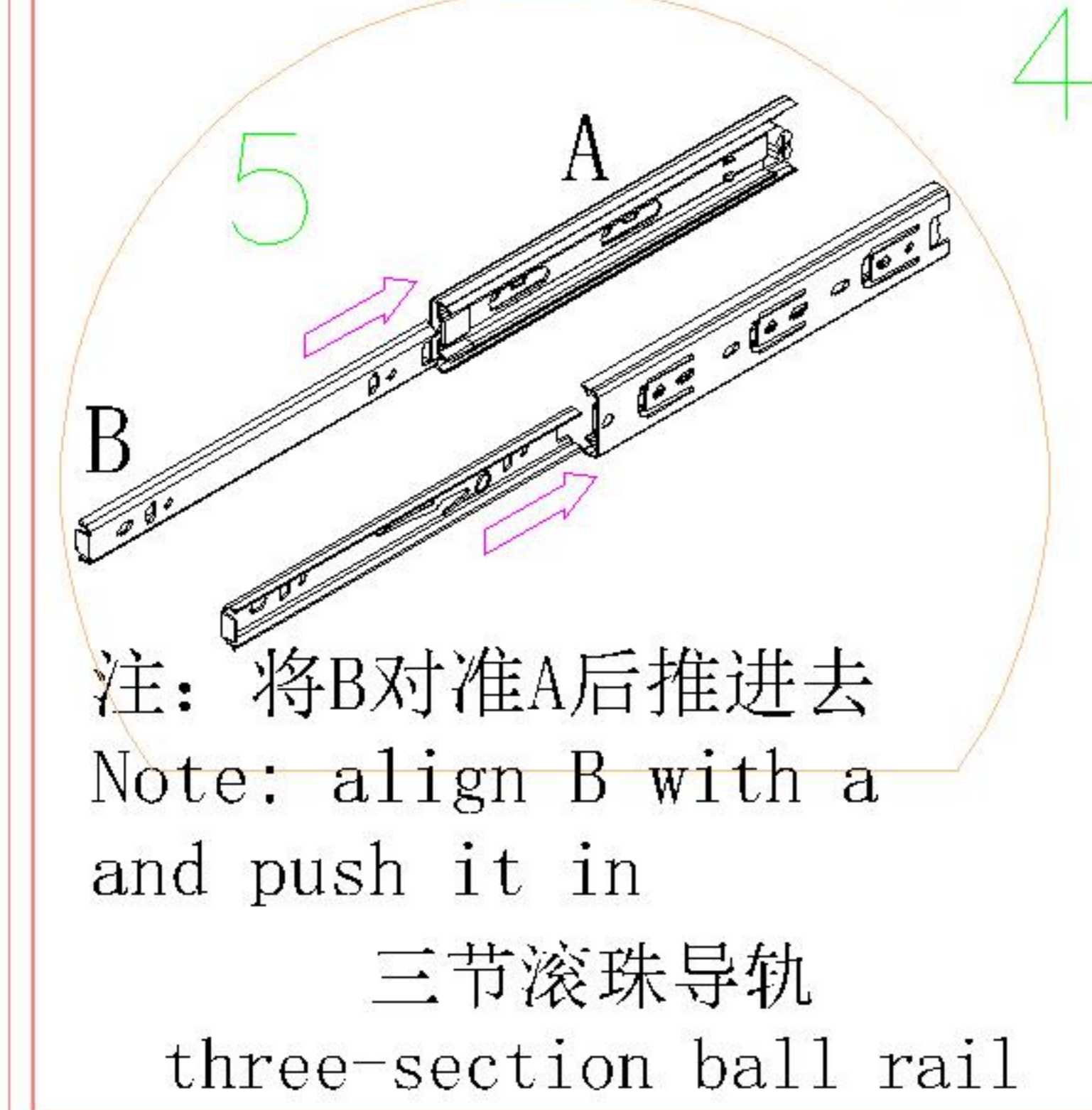
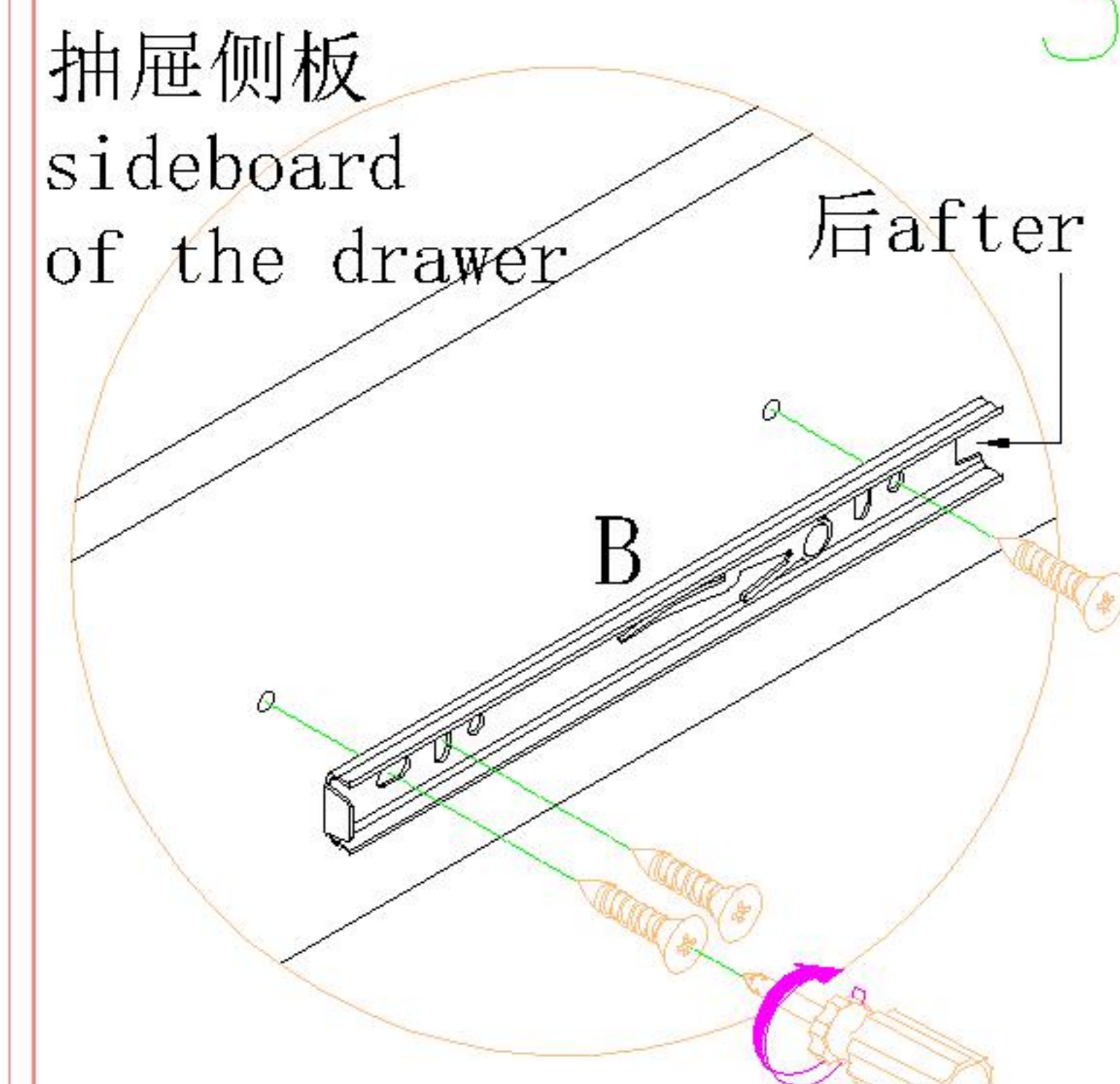
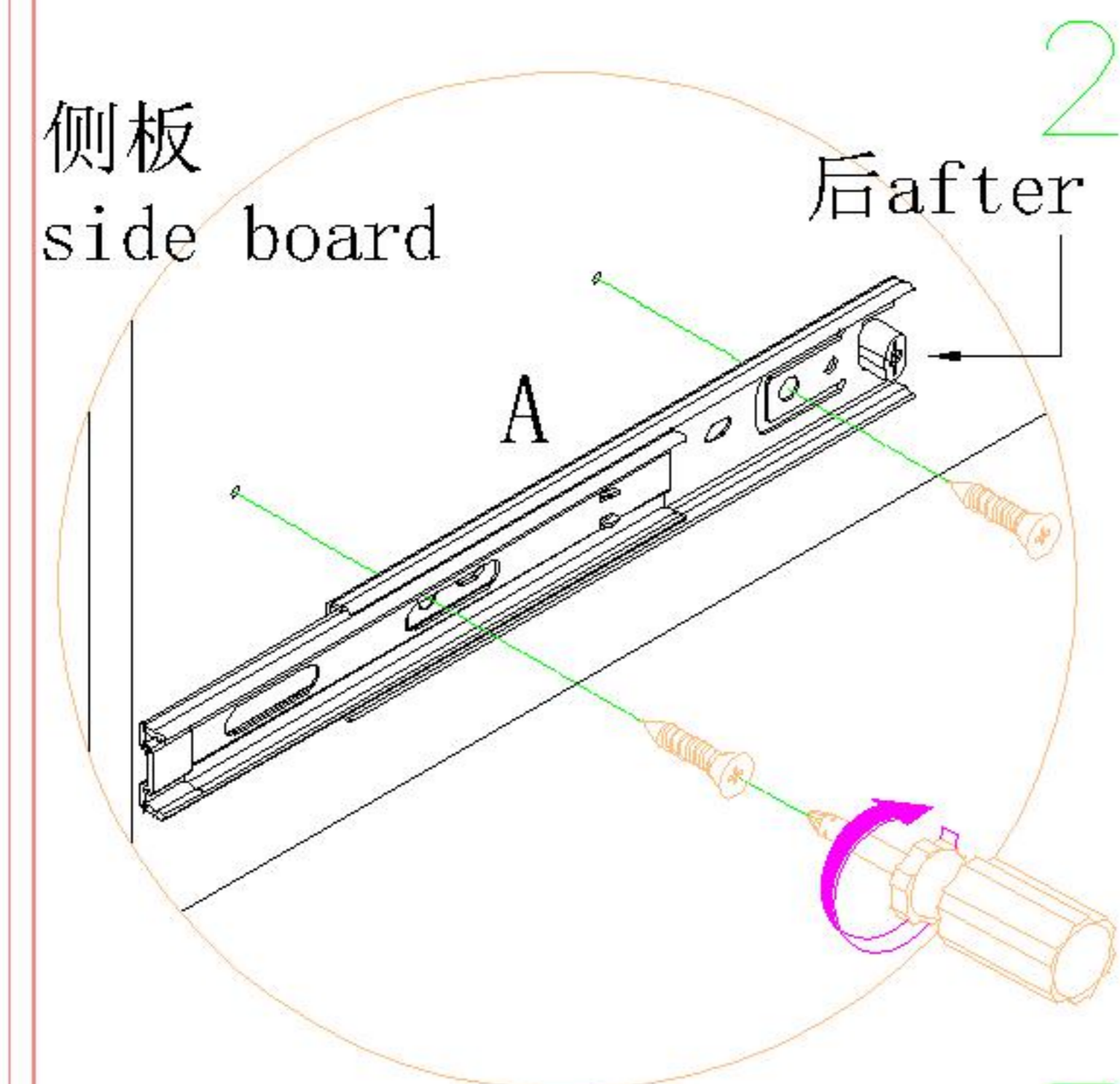
安装方法/  
Installation method

阀门开关(下压为开)  
Valve switch  
(press down to open)

1

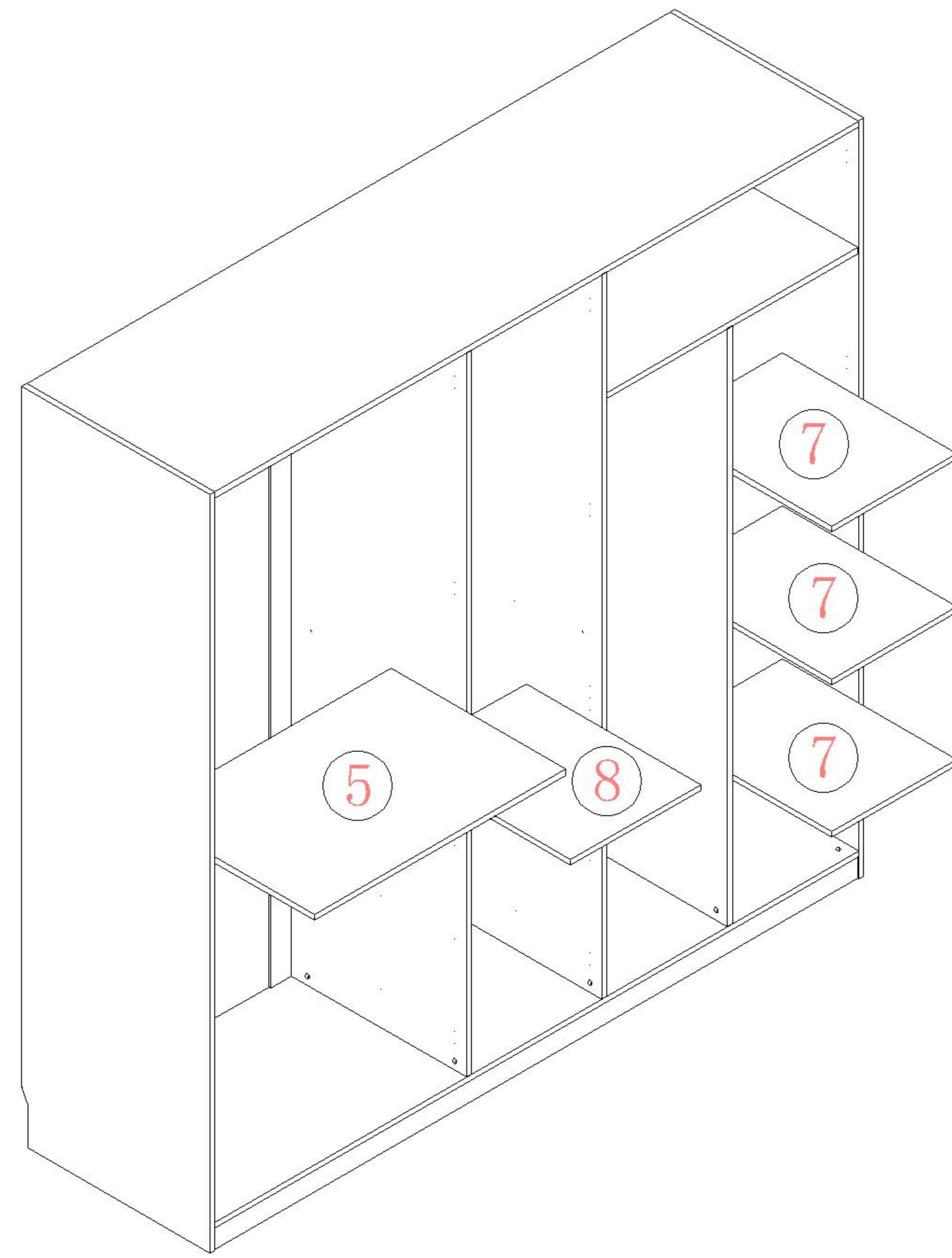


注: 先将A与B拆下来  
Note: remove a and B first



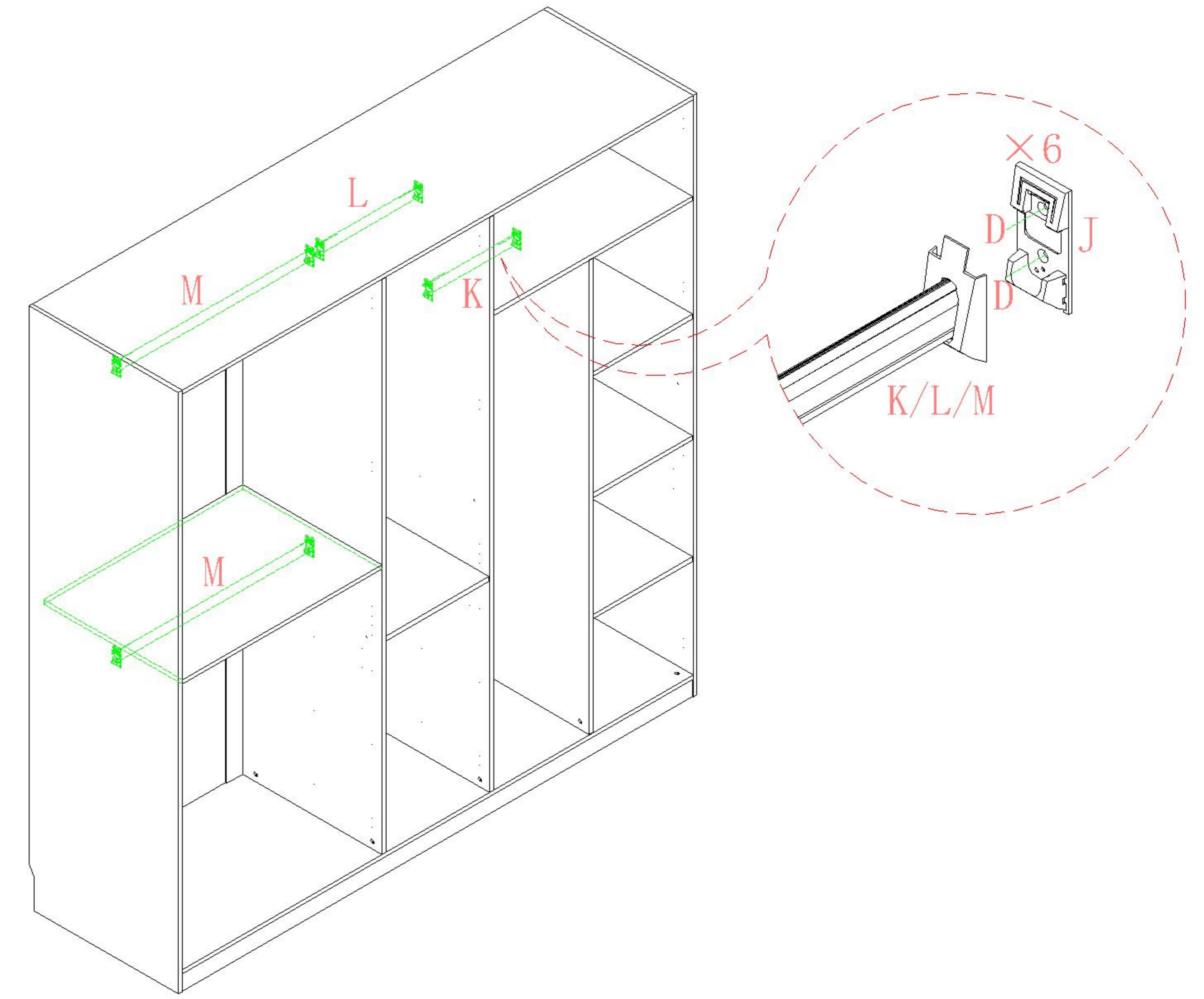
注: 将B对准A后推进去  
Note: align B with a  
and push it in

三节滚珠导轨  
three-section ball rail

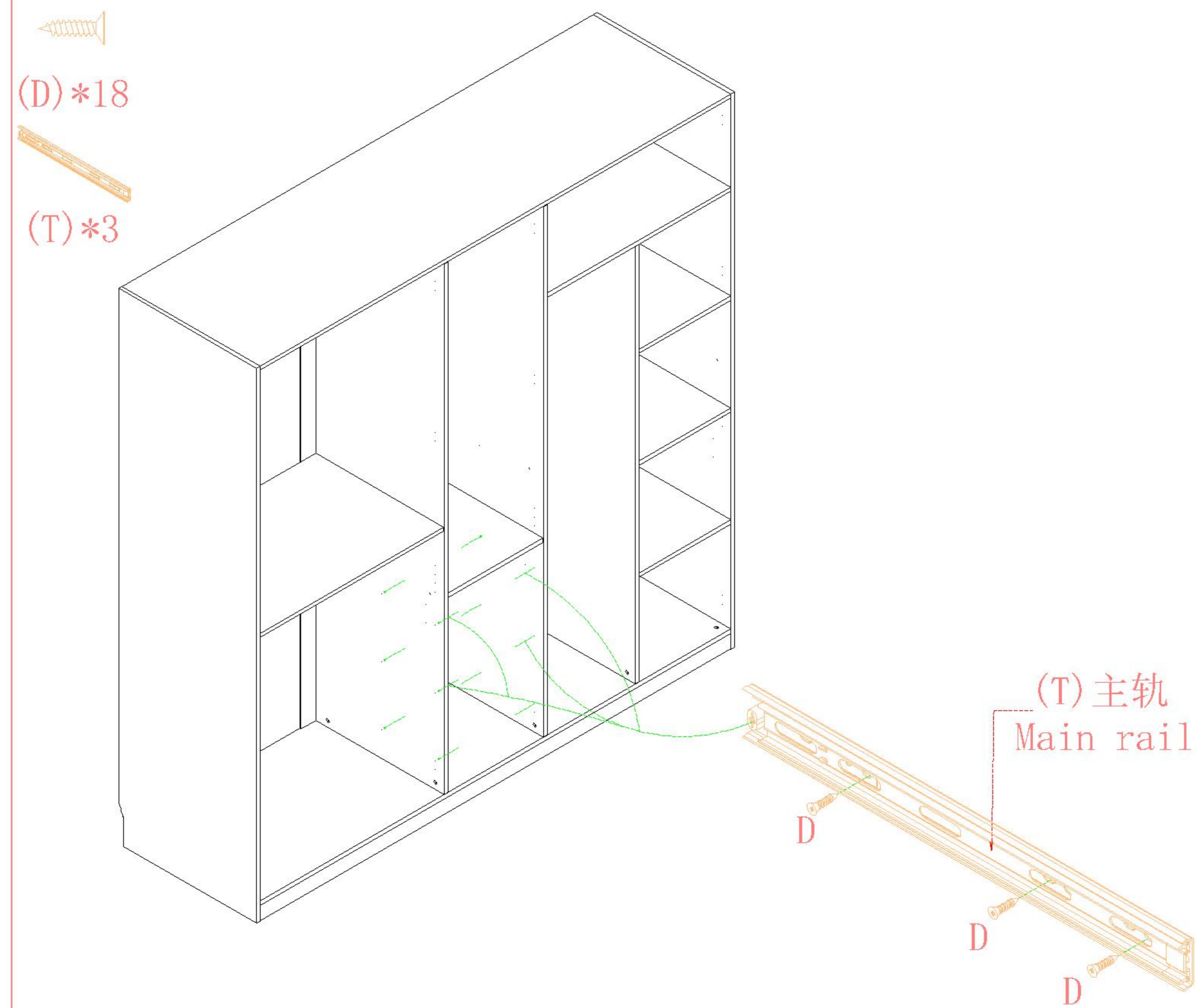


17

- (D)\*16
- (J)\*8
- (K)\*1
- (L)\*1
- (M)\*2

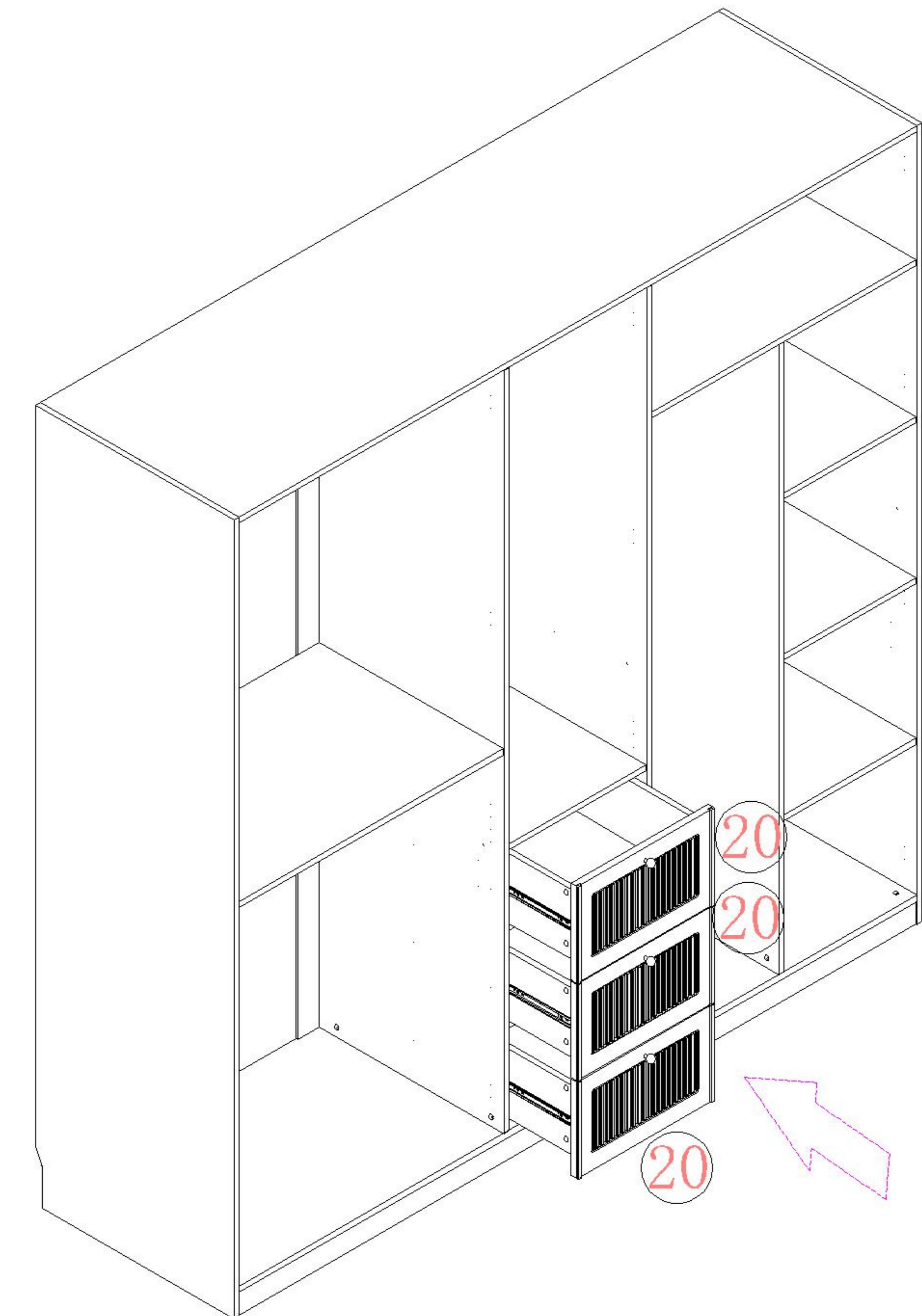


18



19

(T) 主轨  
Main rail



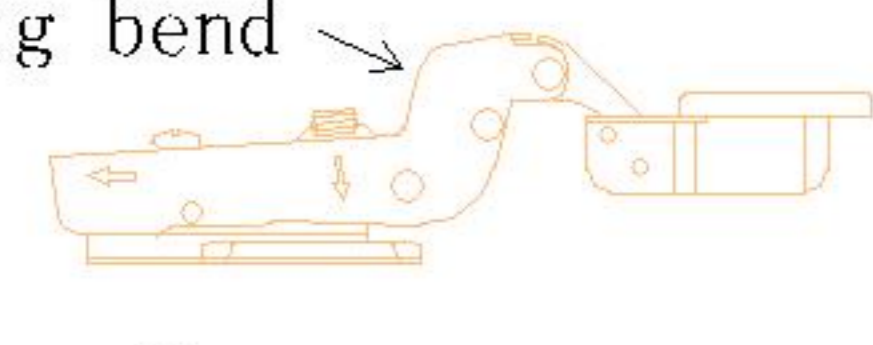
20



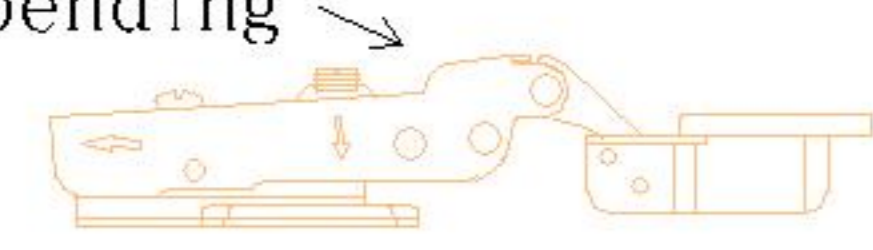
TE11D-A

安装方法/  
Installation method

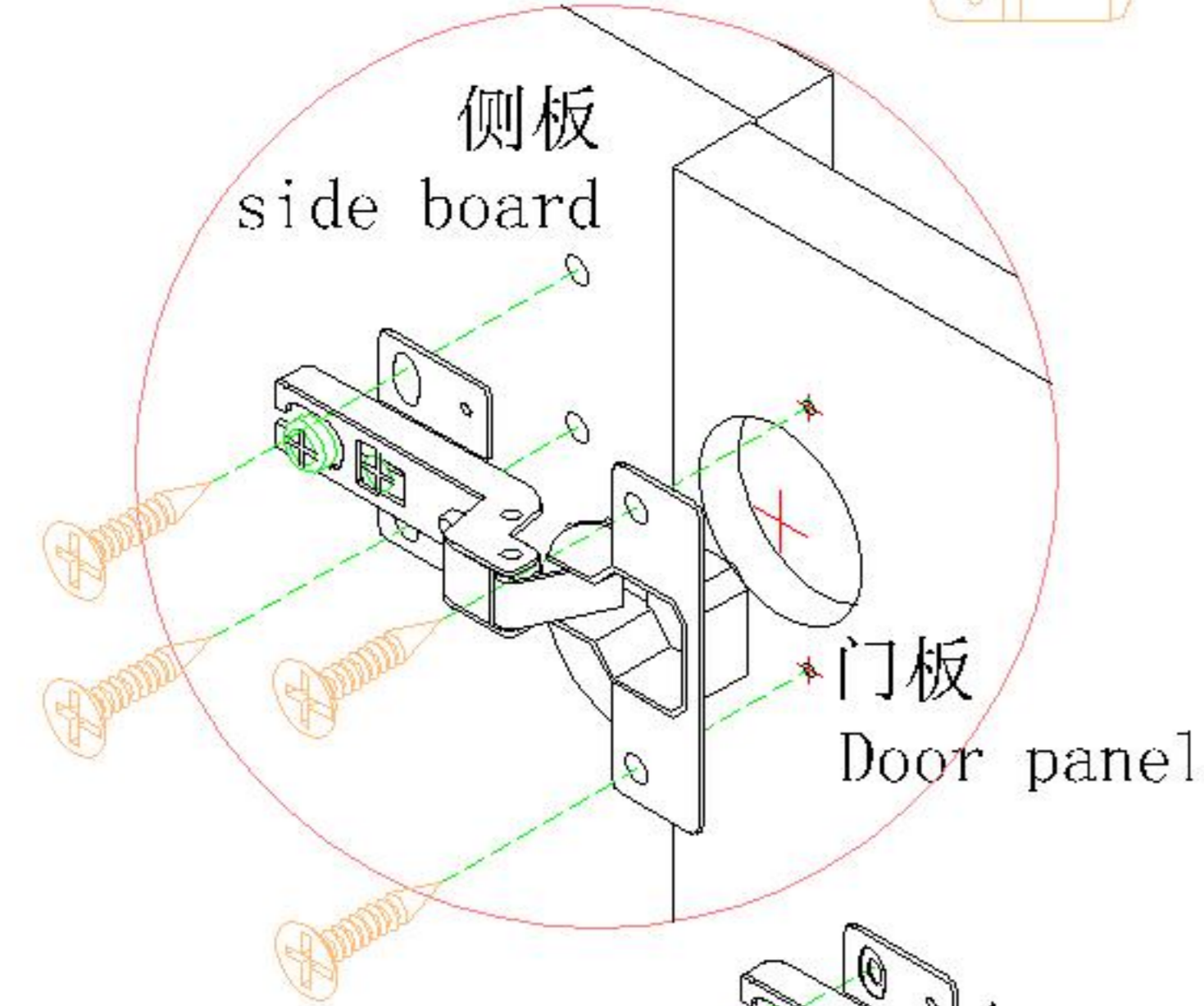
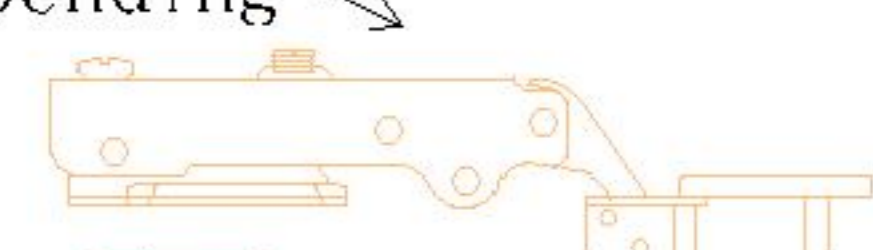
大弯big bend



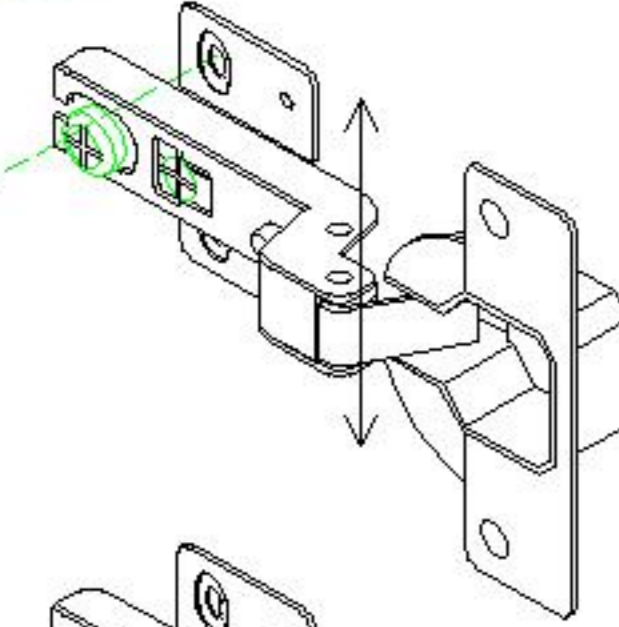
中弯middle bending



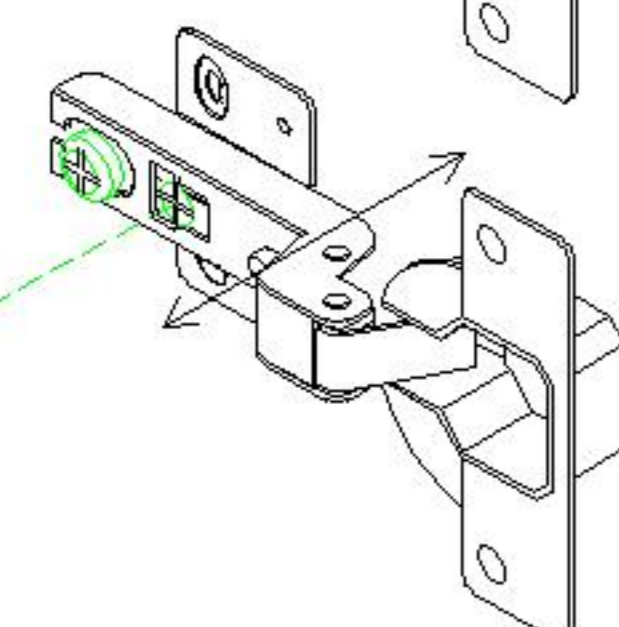
直弯straight bending



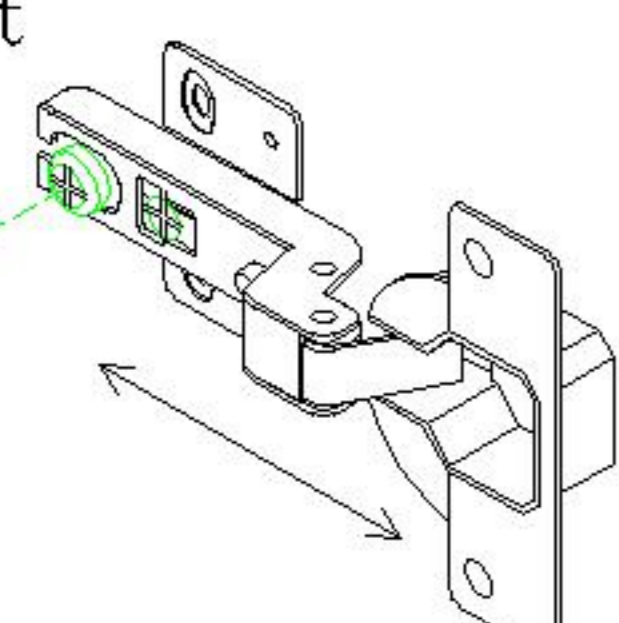
调节上下  
Adjust up and down



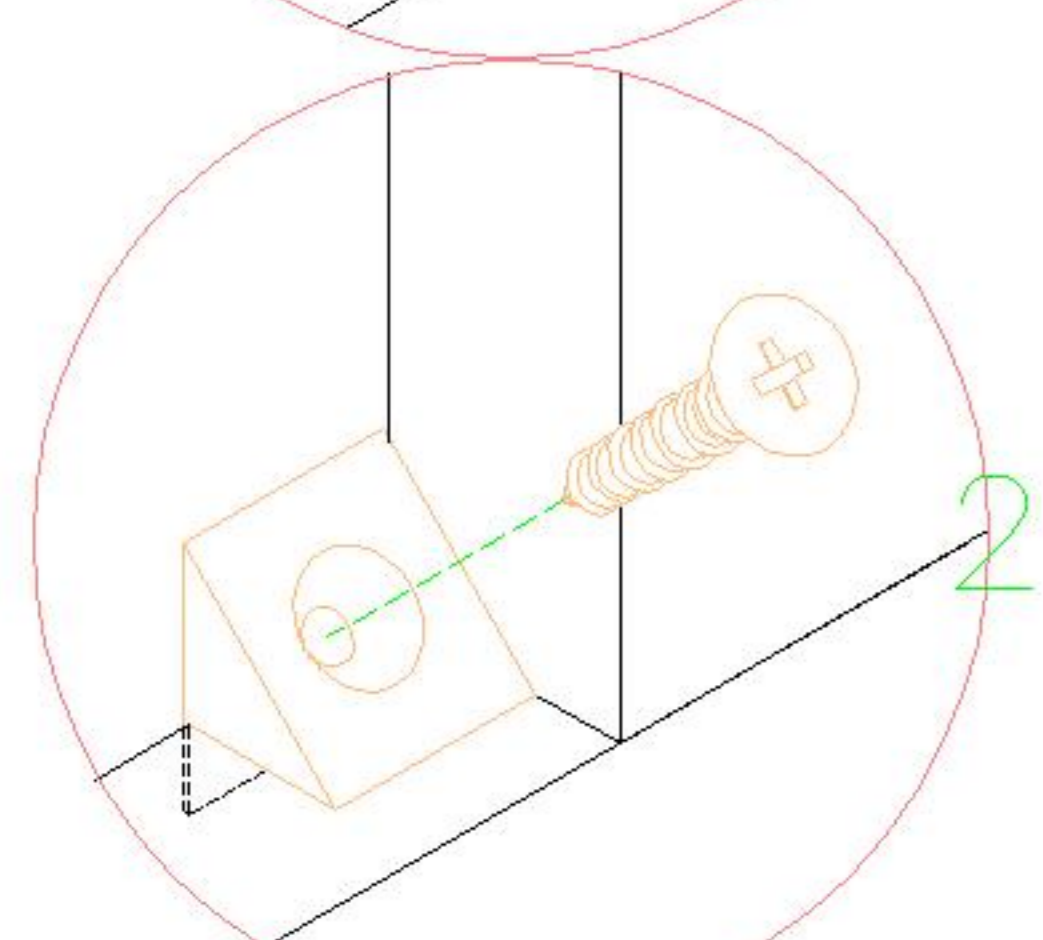
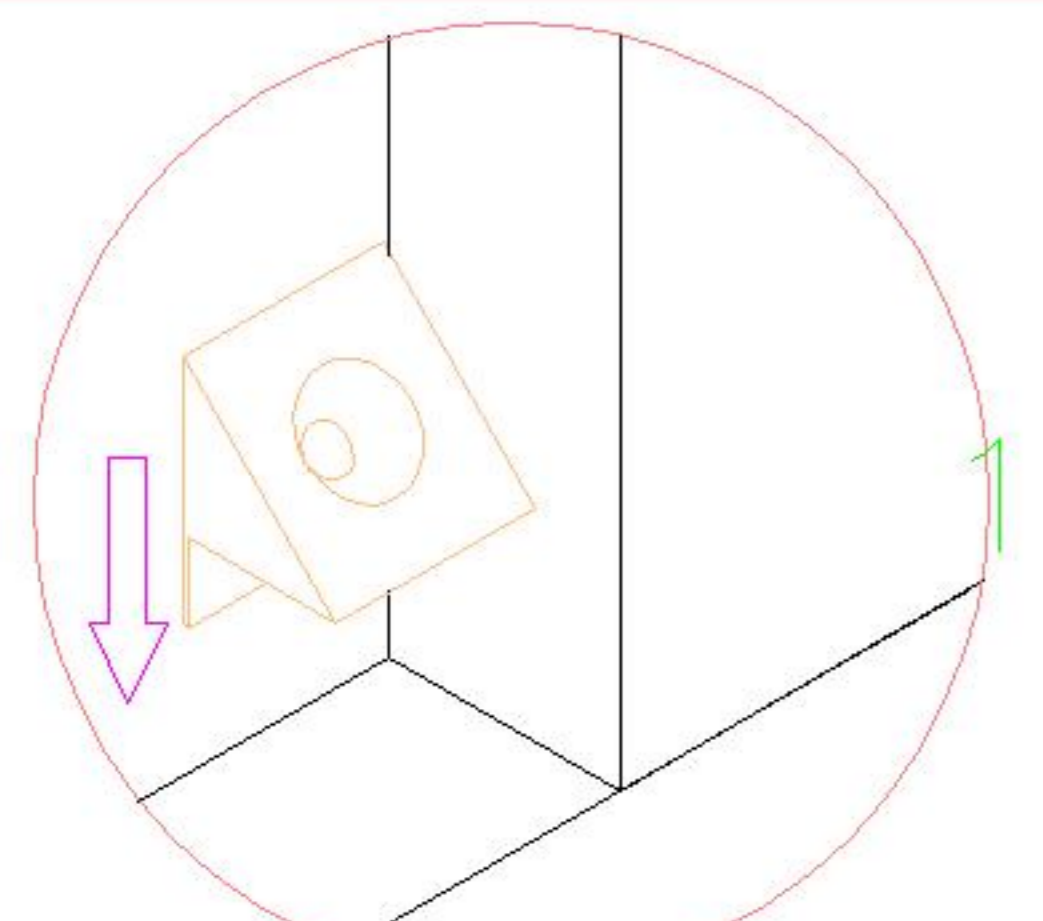
调节左右  
Adjust left and right



调节前后  
Before and after adjustment



门铰  
Hinge



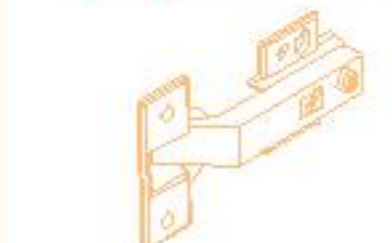
背板扣  
Back Plate Buckle-White



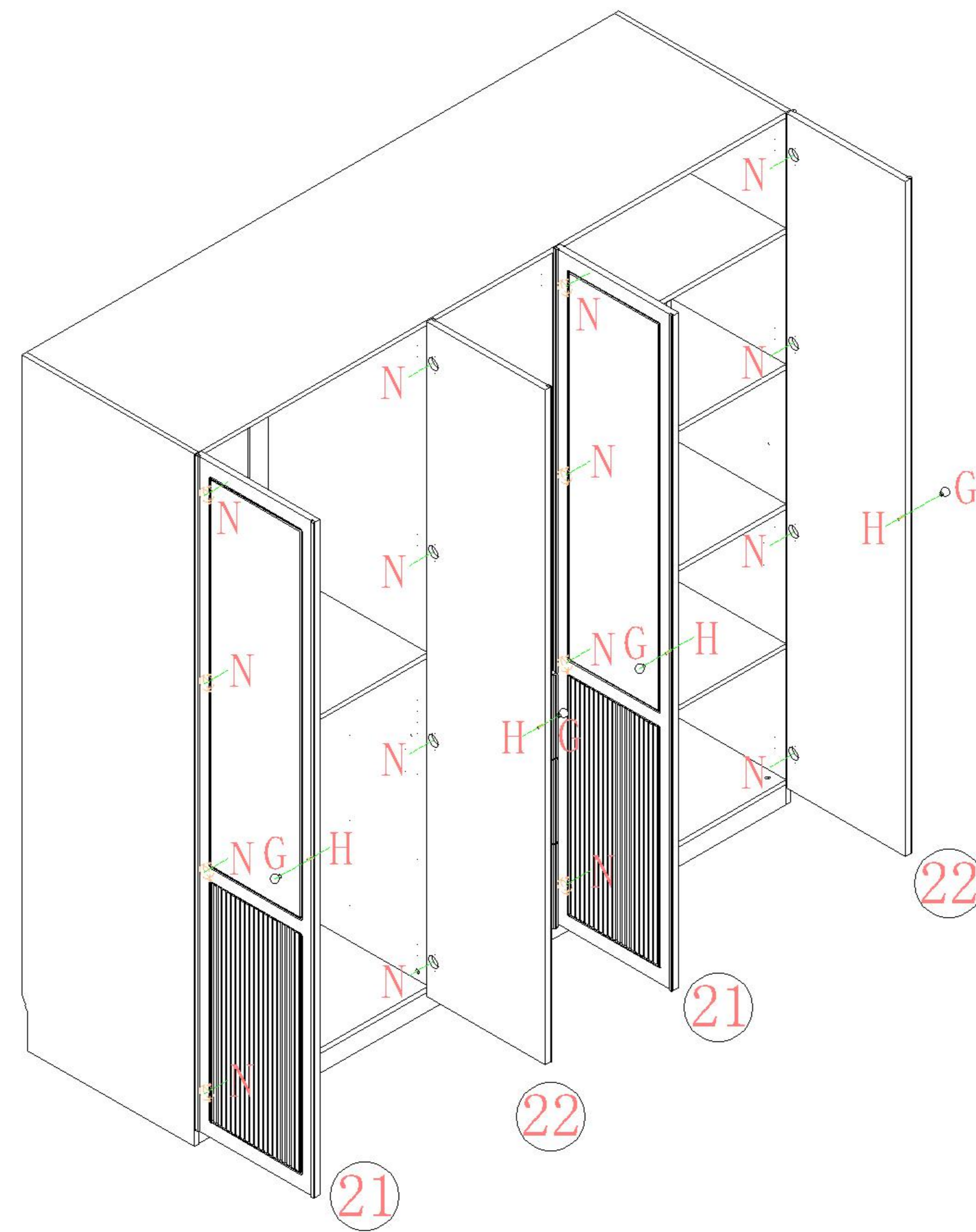
(G)\*4



(H)\*4



(N)\*16



21



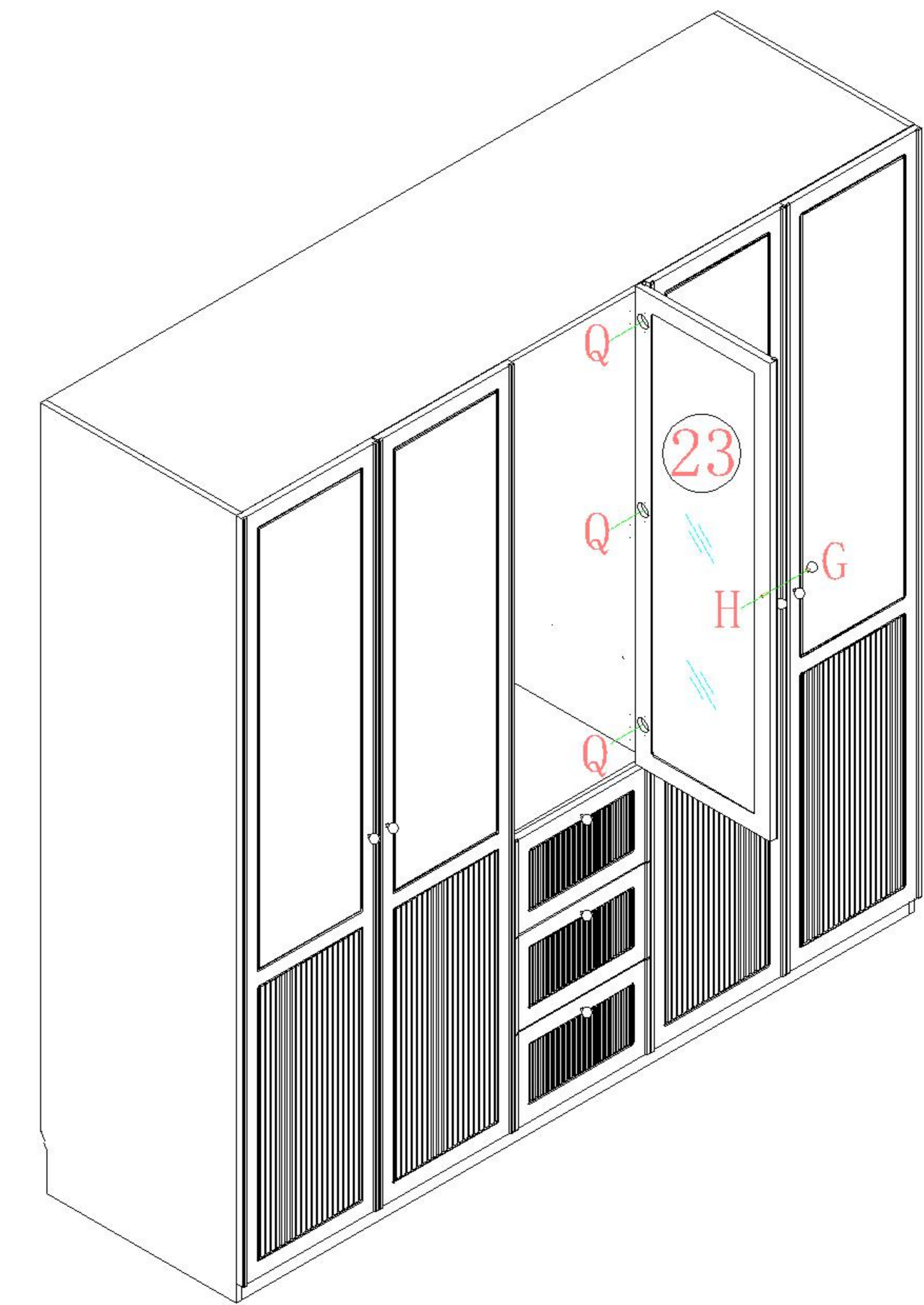
(G)\*1



(H)\*1

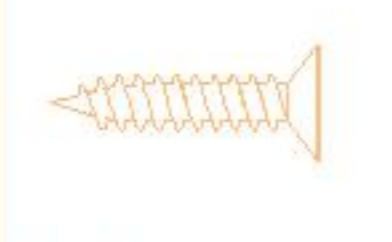


(Q)\*3



22

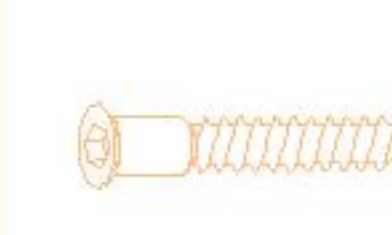
23



(E)\*16



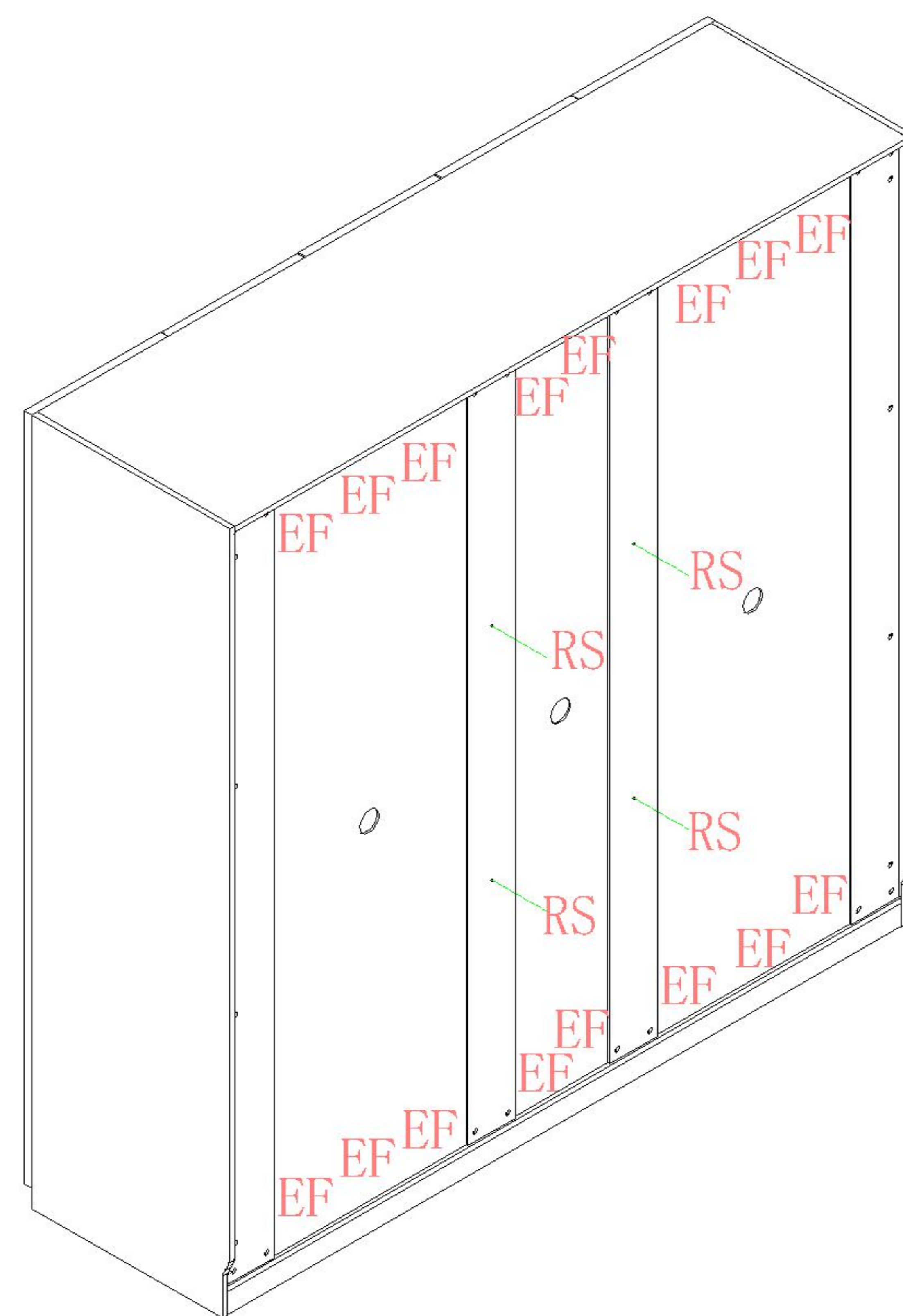
(F)\*16



(R)\*4



(S)\*1



24

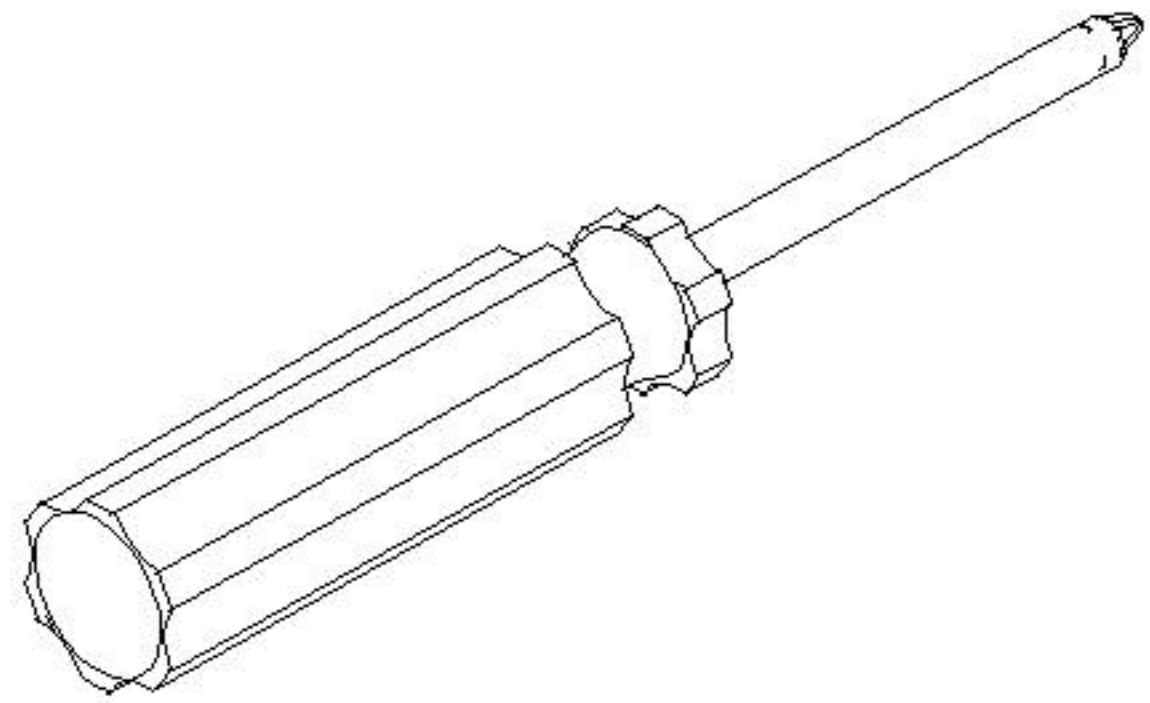
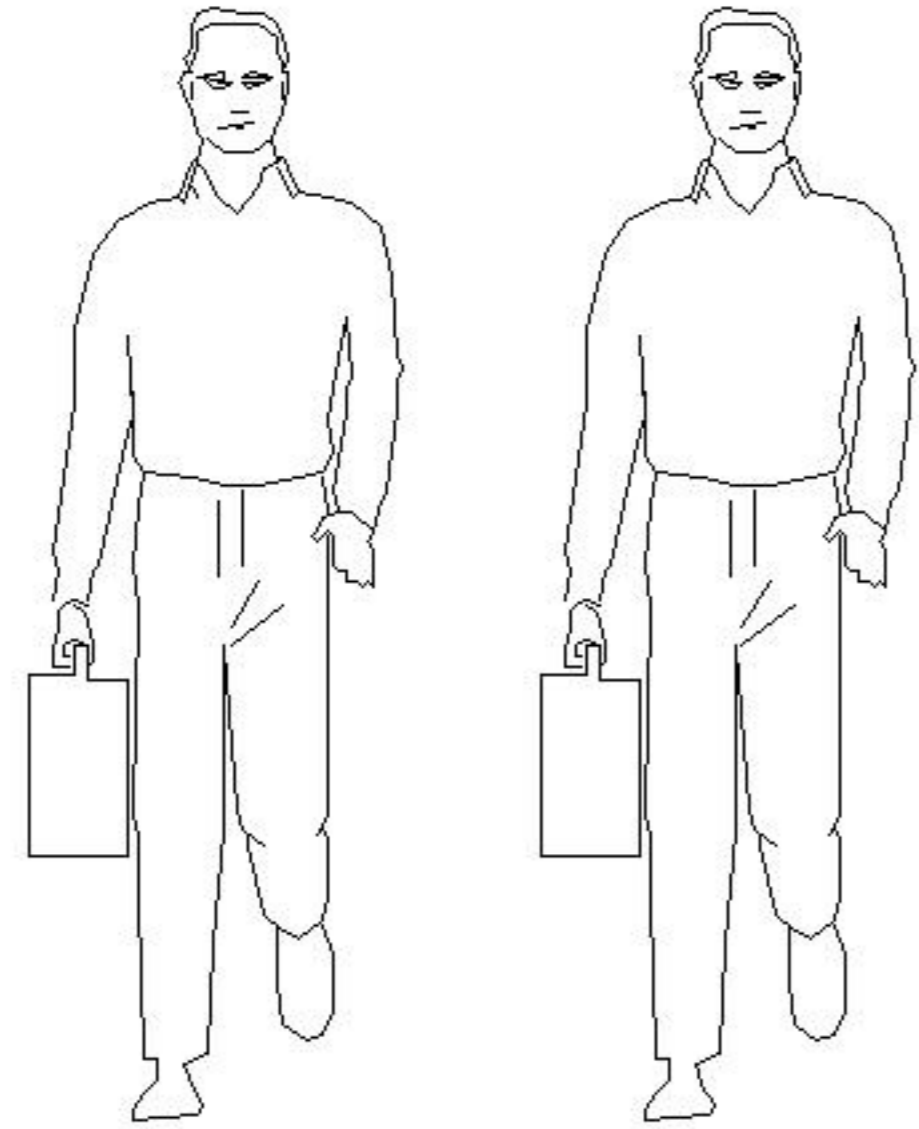


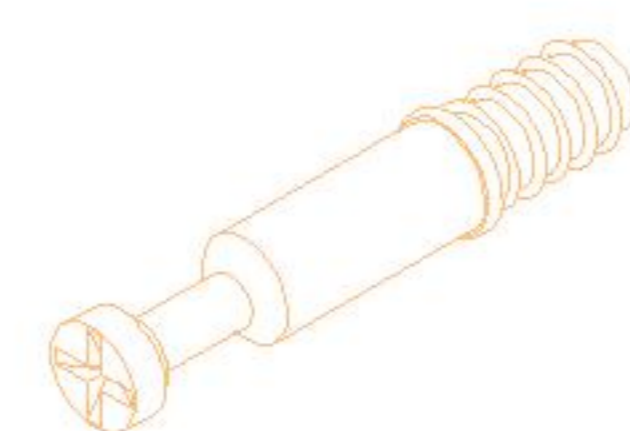
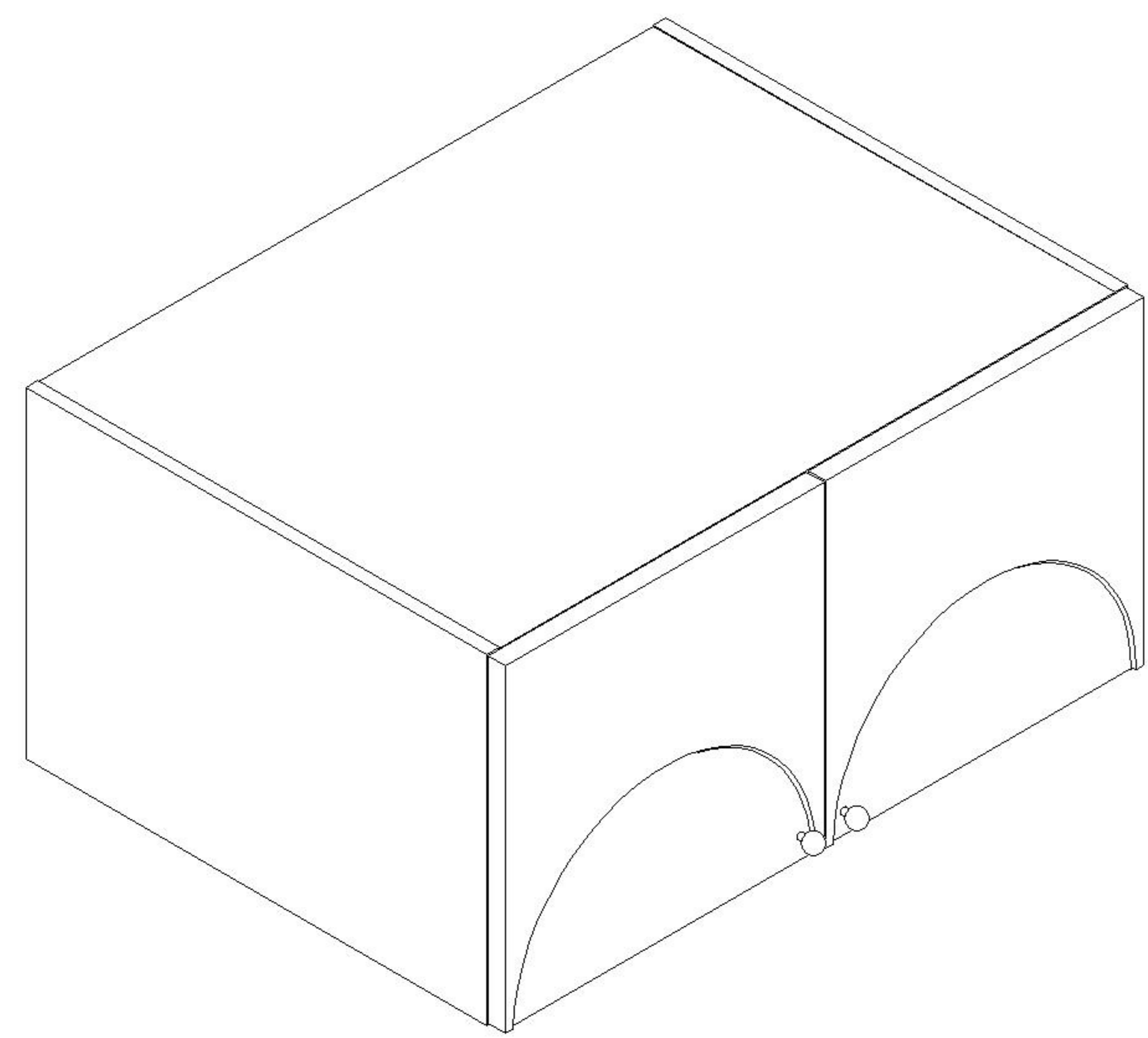
# LINSY 林氏家居

## 五金表/Hardware list

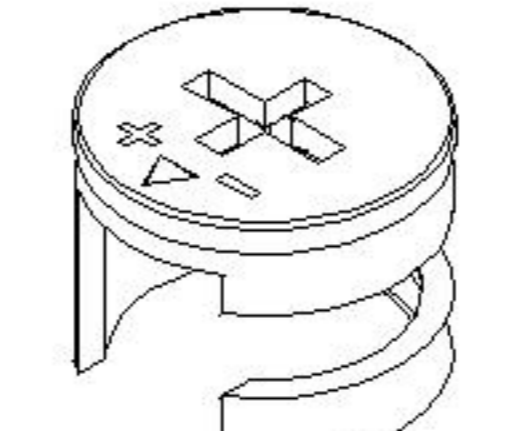
## 部件表/Parts List

### 安装示意图/Assembly Instruction

产品名称 Model NO.	TE12D-A
产品规格 Specification	796*620.5*400mm
安装工具 Tool	安装人数 Installer
	



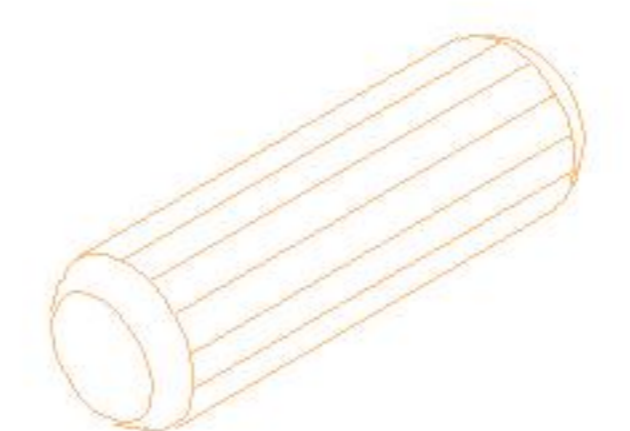
(A)\* 8  
二合一螺杆  
2-in-1-screw



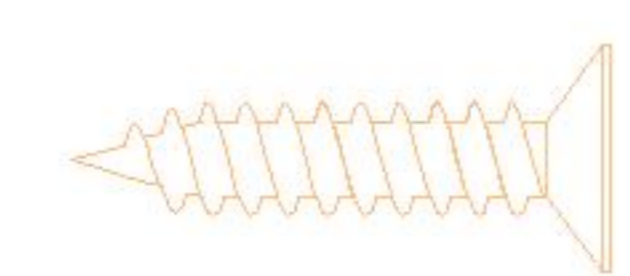
(B)\* 8  
大三合一锁饼  
Three-in-one large lock



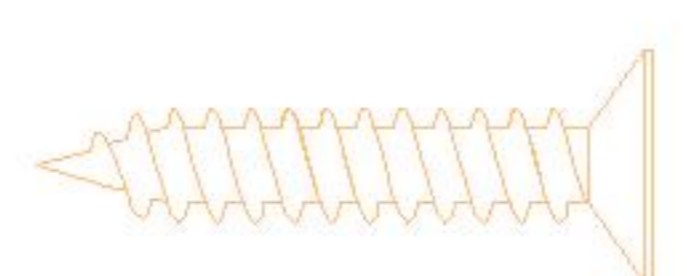
(C)\* 4  
背板扣  
Back Plate Buckle-White



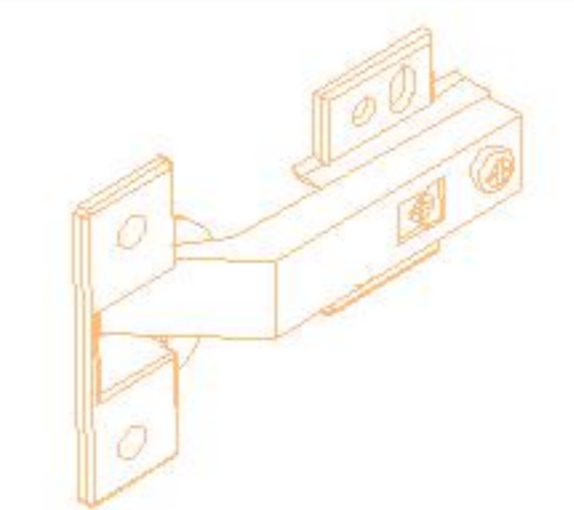
(D)\* 8  
木榫Ø8x30mm  
wood tenon



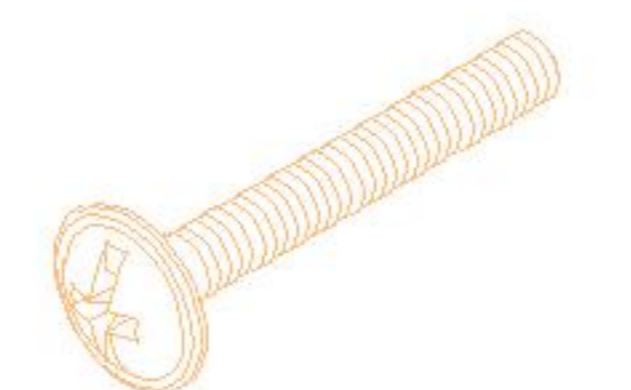
(E)\* 4  
自攻螺丝M3.5x16mm  
Self-tapping screw



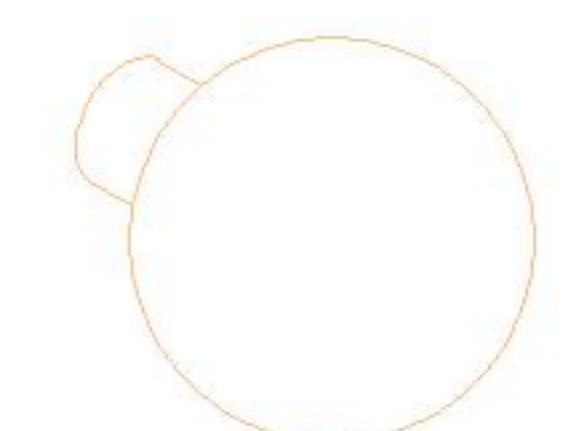
(F)\* 4  
自攻螺丝M4x25mm  
Self-tapping screw



(G)\* 4  
缓冲门铰直弯-杯径Ø35  
Hinge-straight bending-diameter 35



(H)\* 2  
拉手螺丝-M1x22mm  
pulling screw



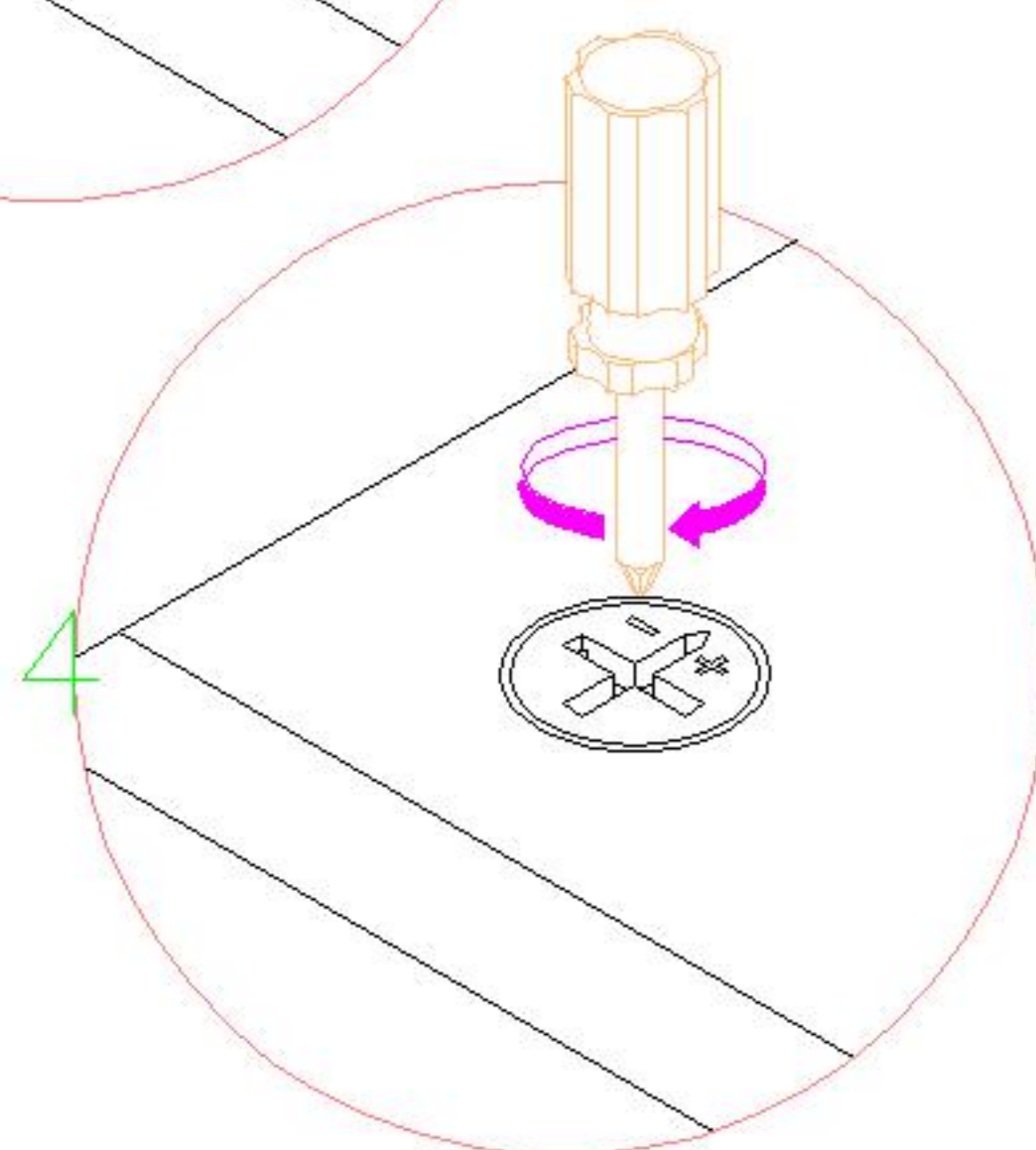
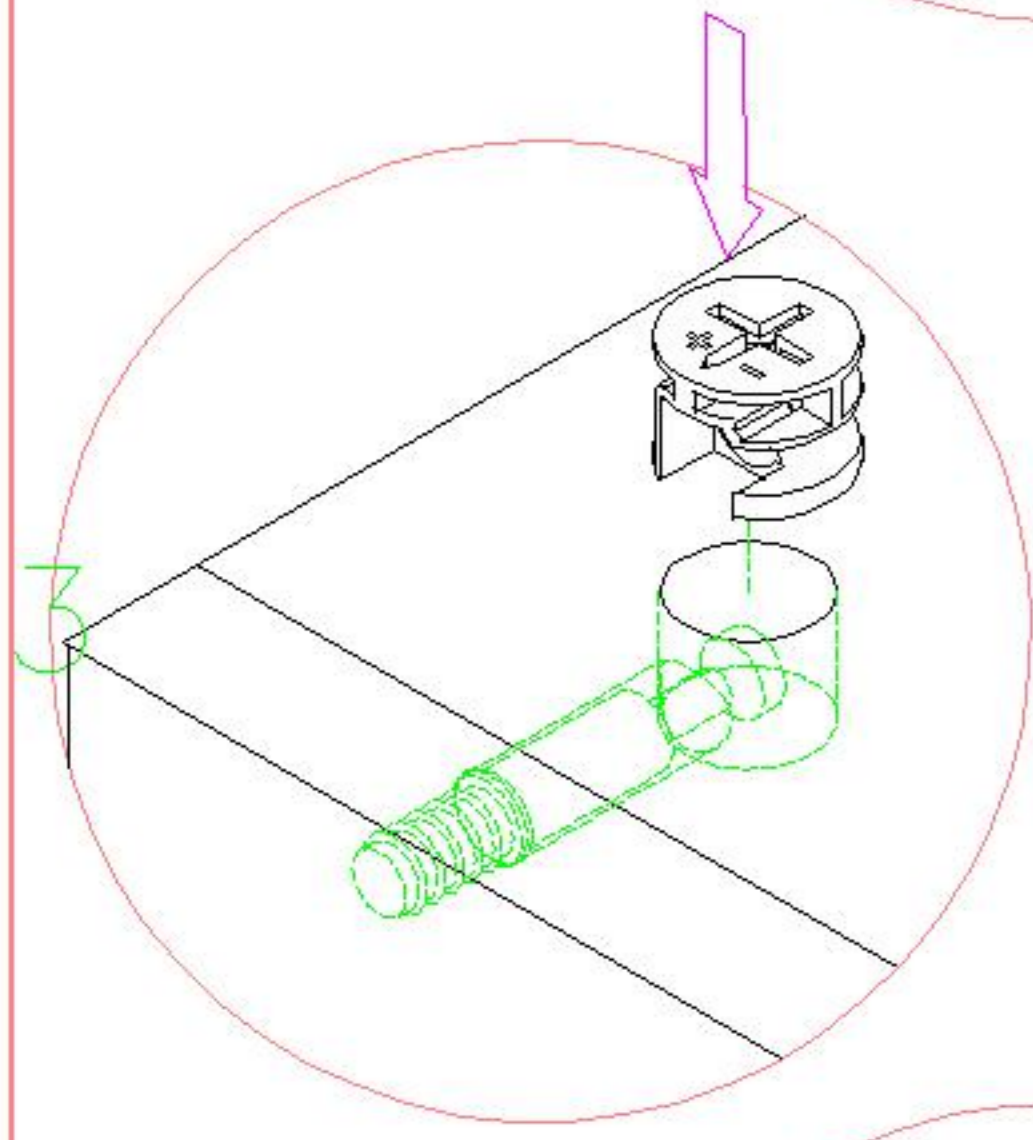
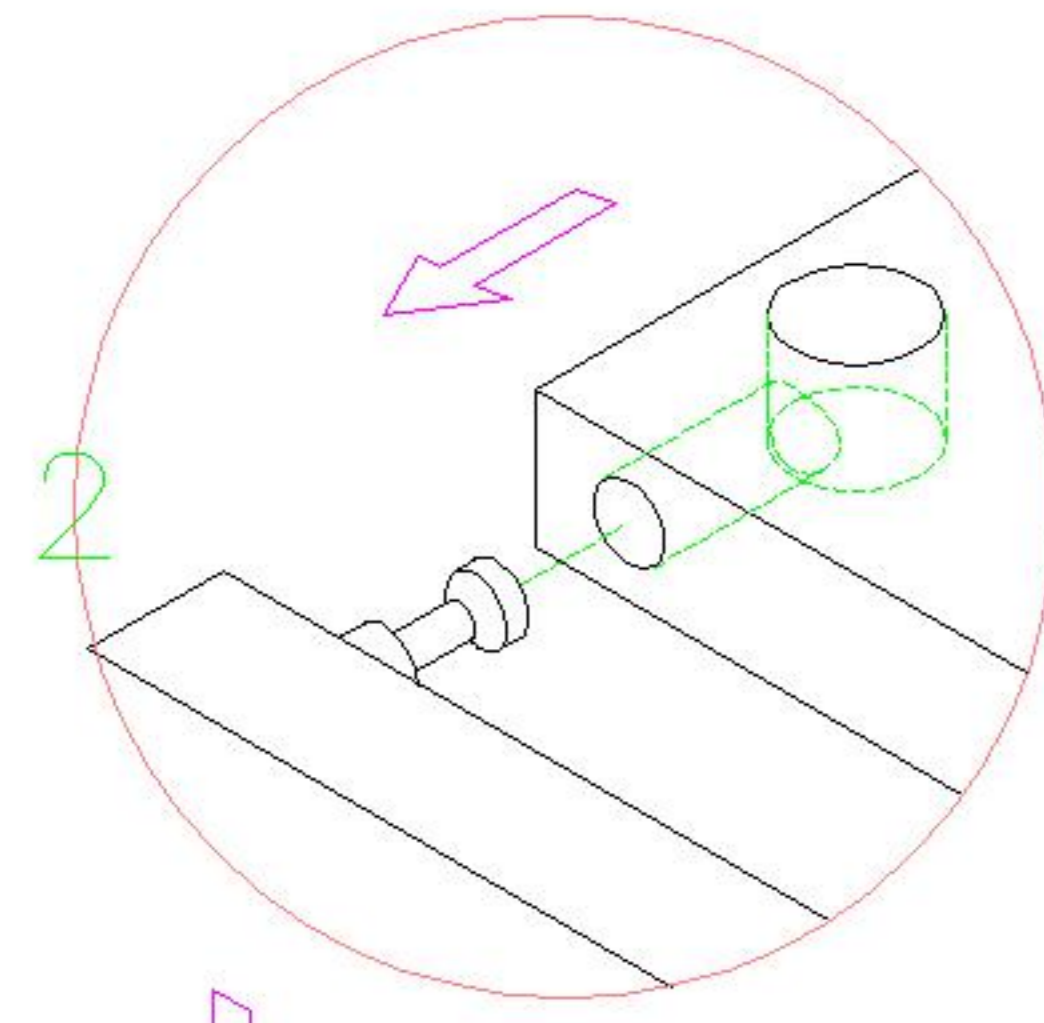
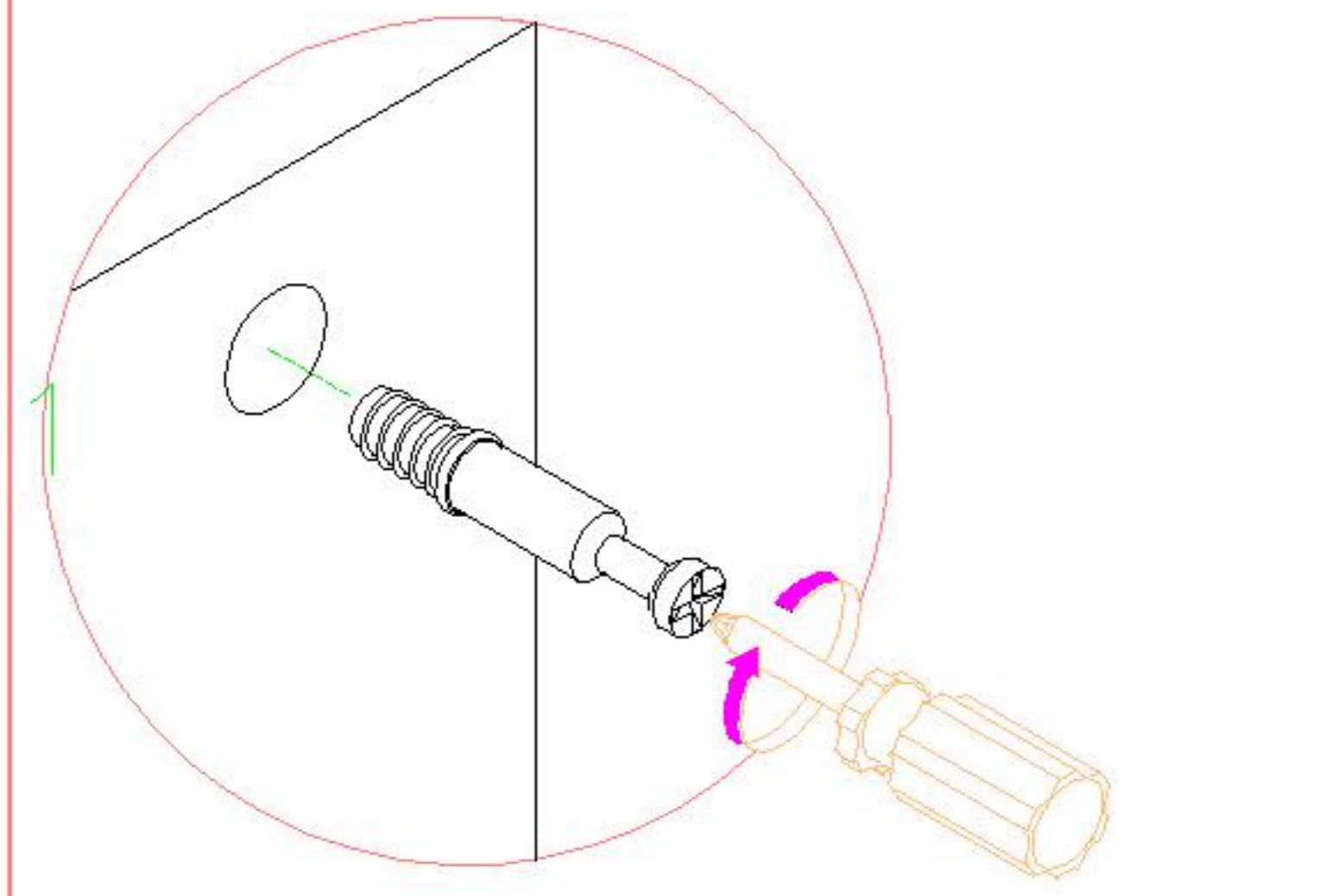
(I)\* 2  
拉手  
Handle

编号NO.	名称Name	规格 (mm) Specification	数量QTY	材质Material
①	面底板Bottom board	766*574*15	2	人造板 WBP
②	侧板Side board	400*574*15	2	人造板 WBP
③	背板Back board	776*378*5	1	人造板 WBP
④	左门板Door board(L)	396*396*22	1	吸塑板 Blister board
⑤	右门板Door board(R)	396*396*22	1	吸塑板 Blister board

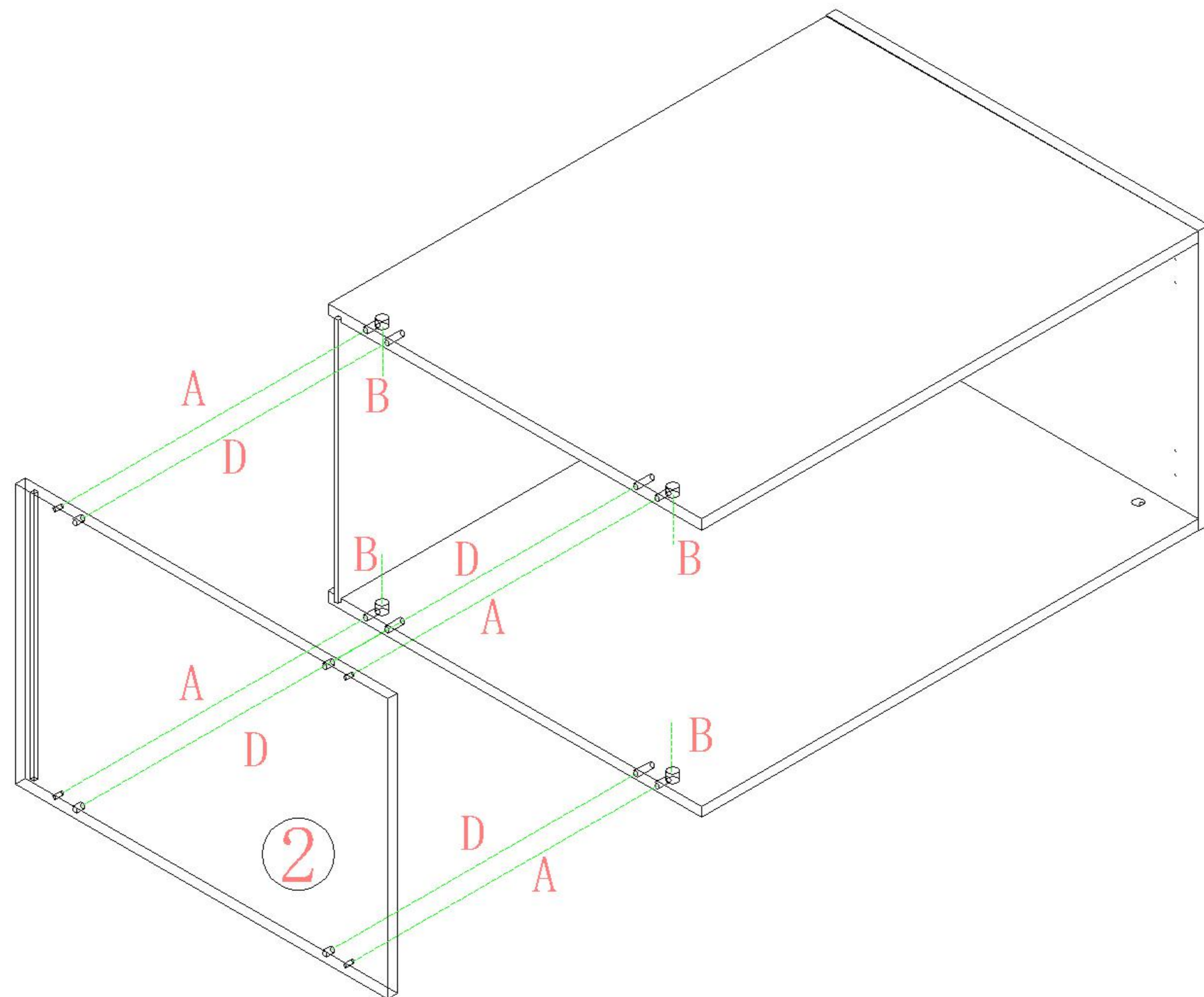
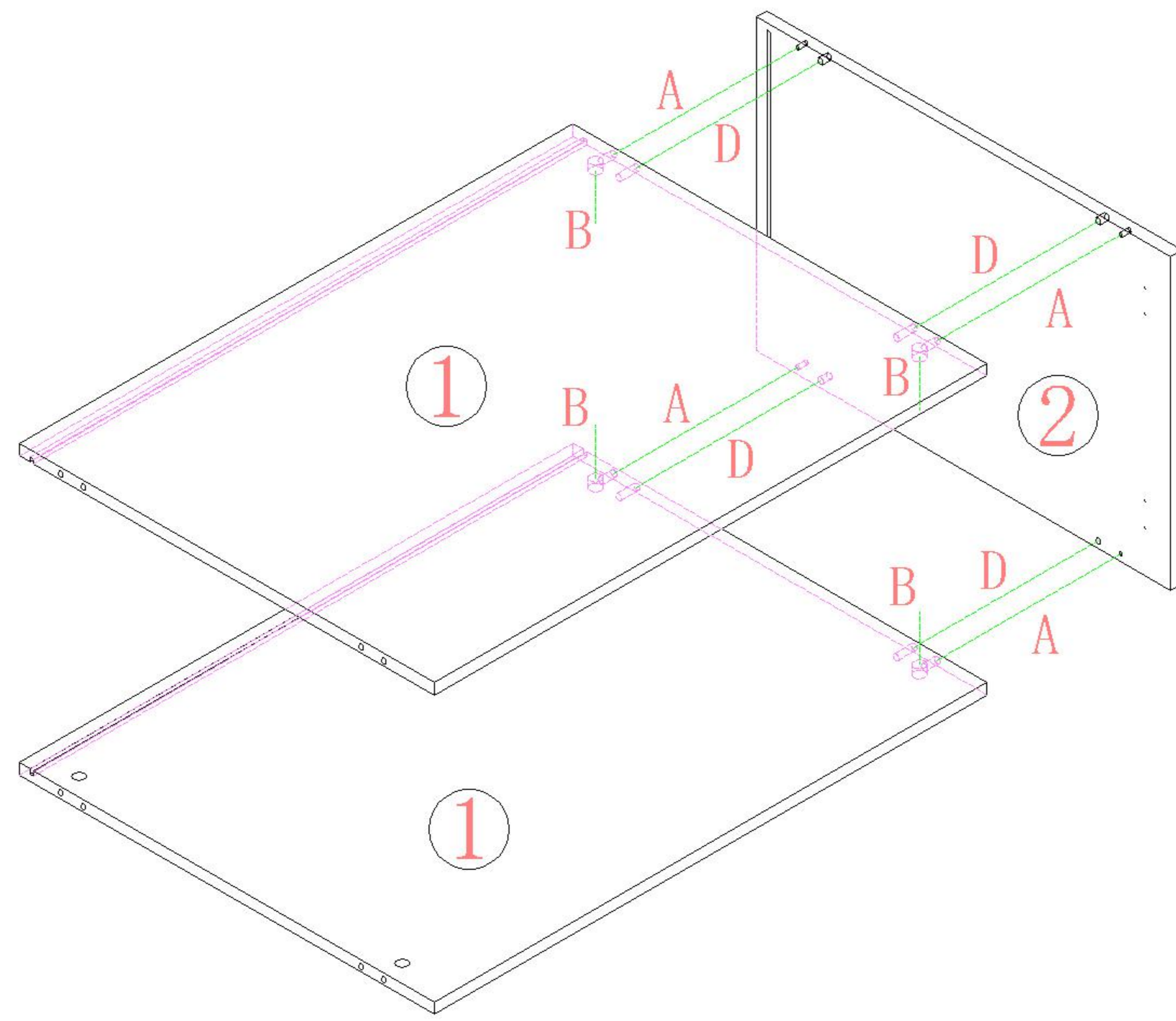
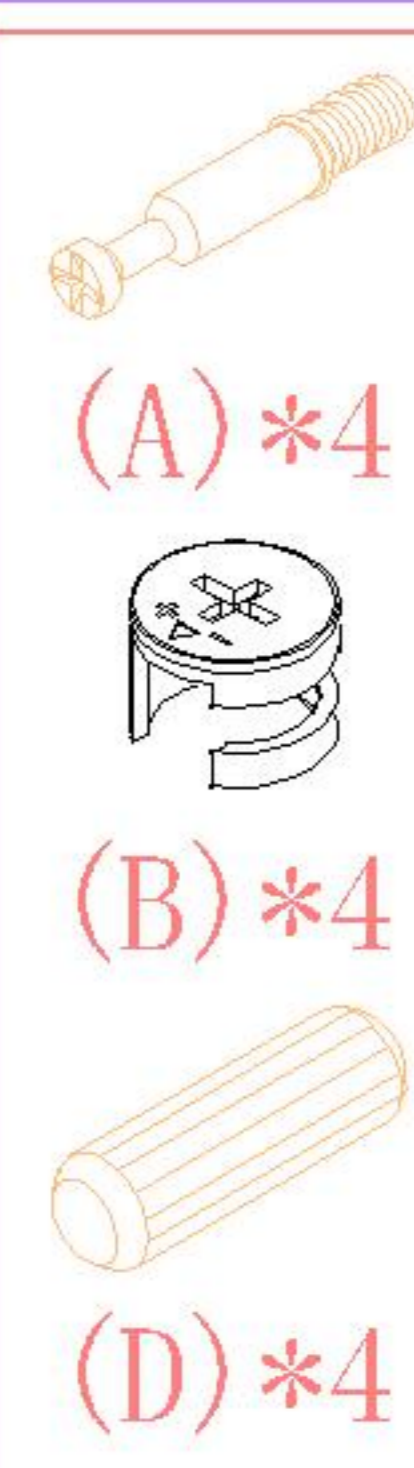


TE12D-A

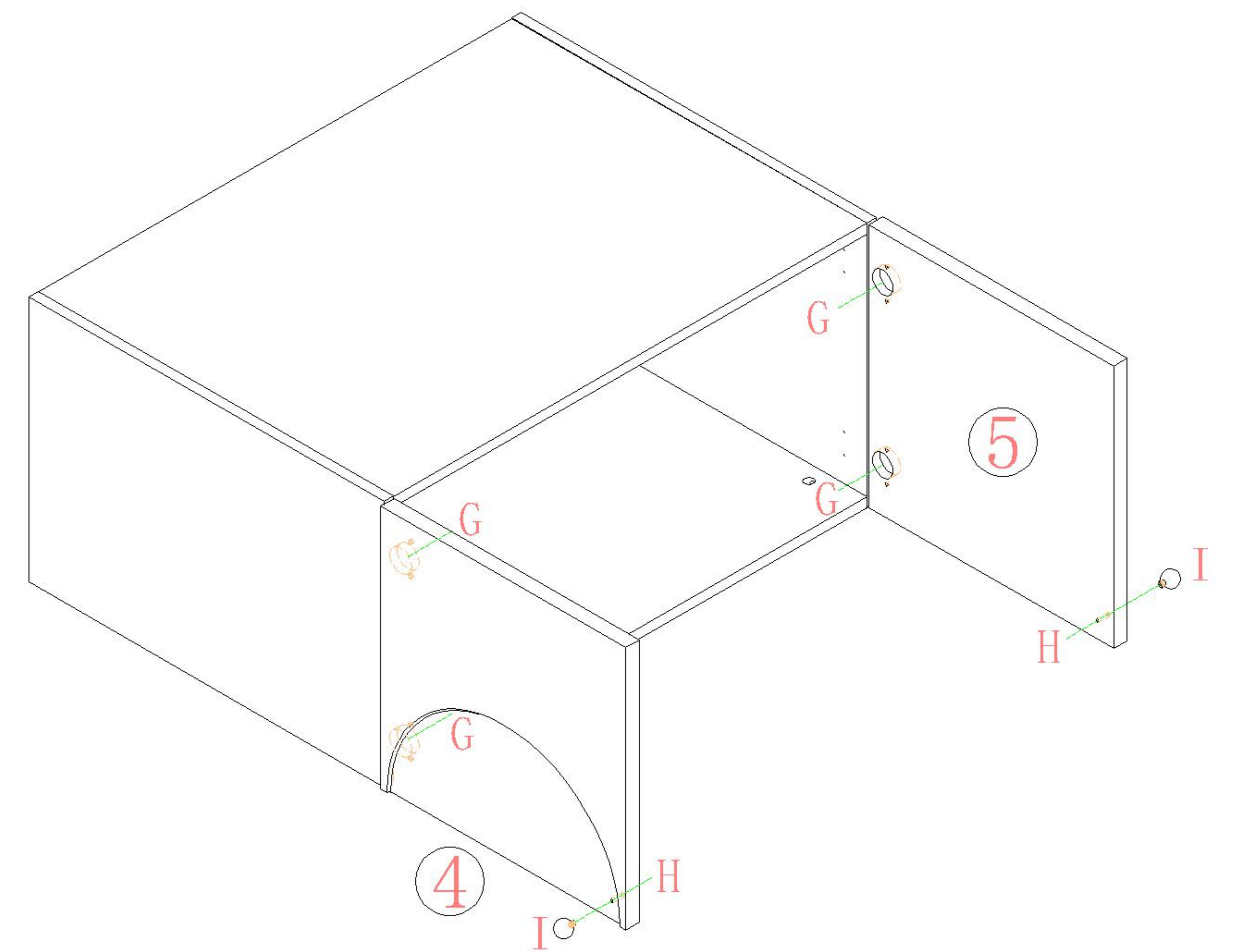
安装方法/  
Installation method



大二合一  
two-in-one



3



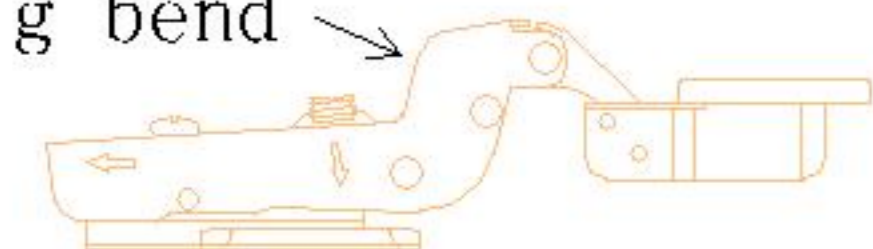
4



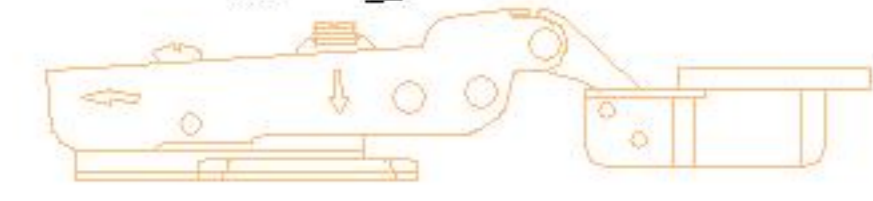
TE12D-A

# 安装方法/ Installation method

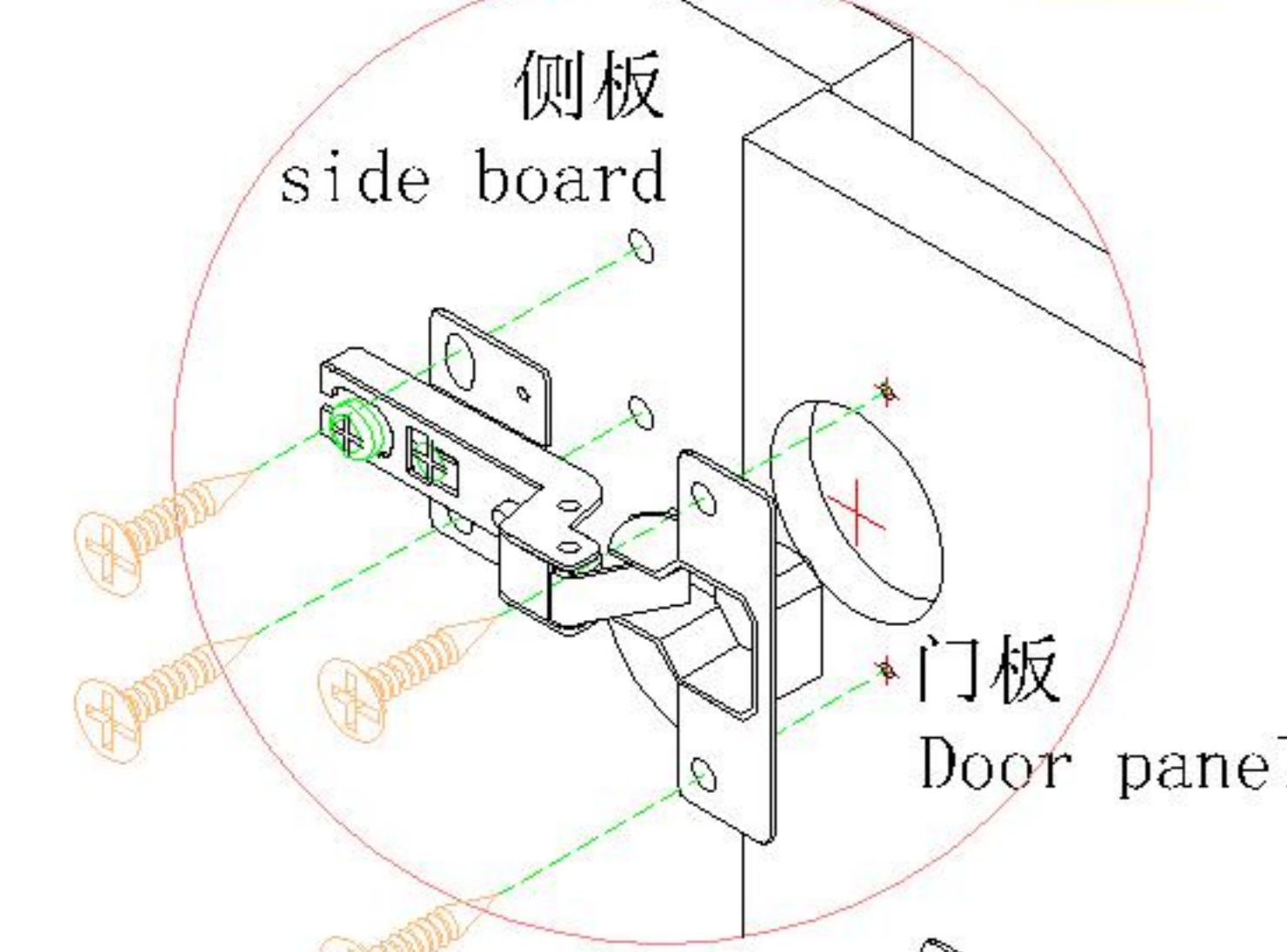
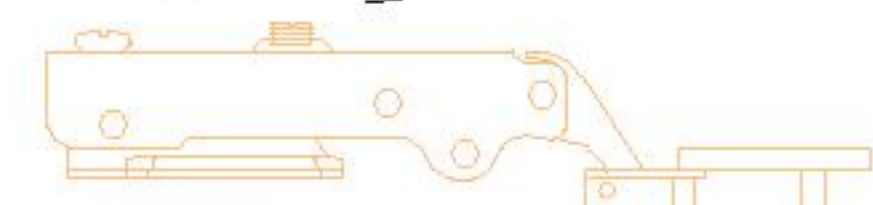
大弯big bend



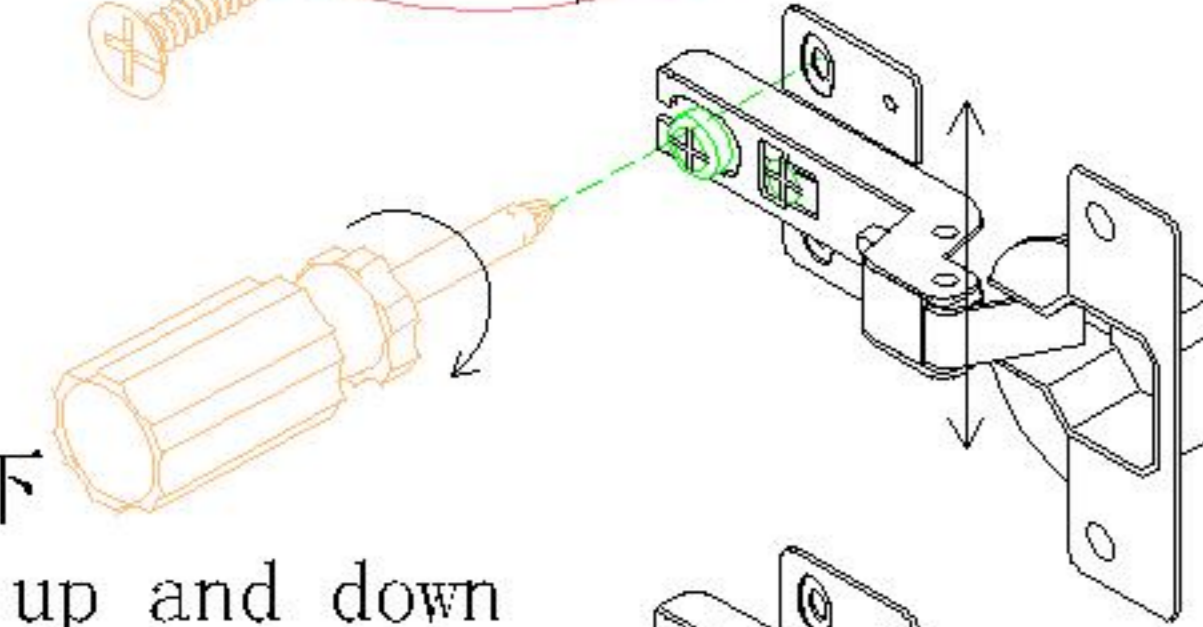
中弯middle bending



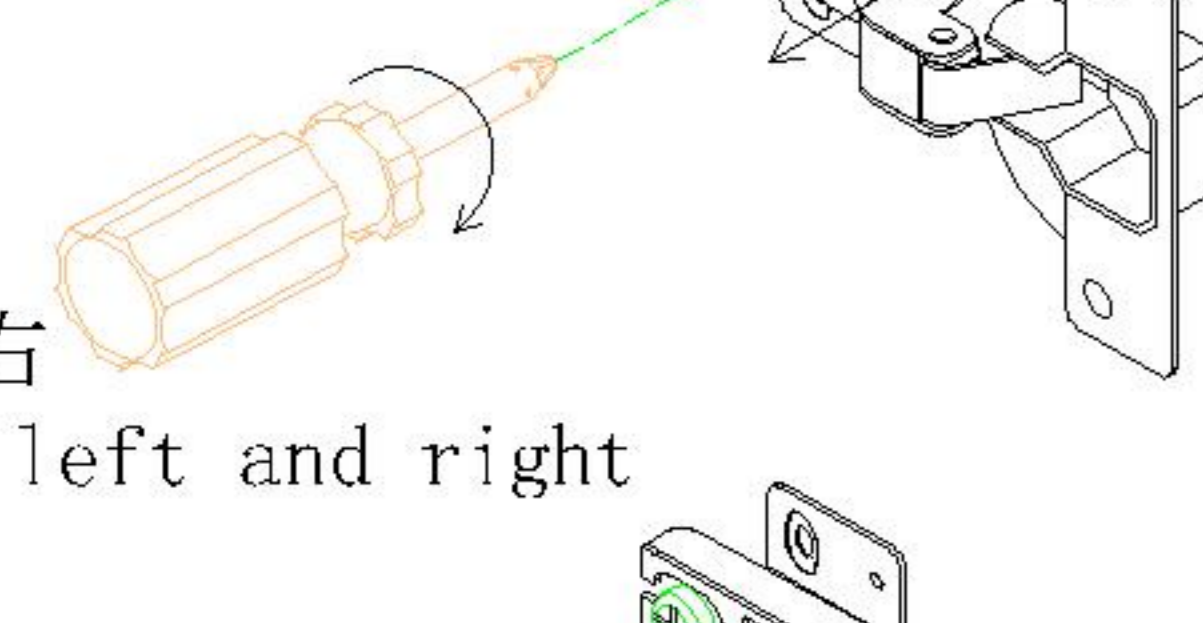
直弯straight bending



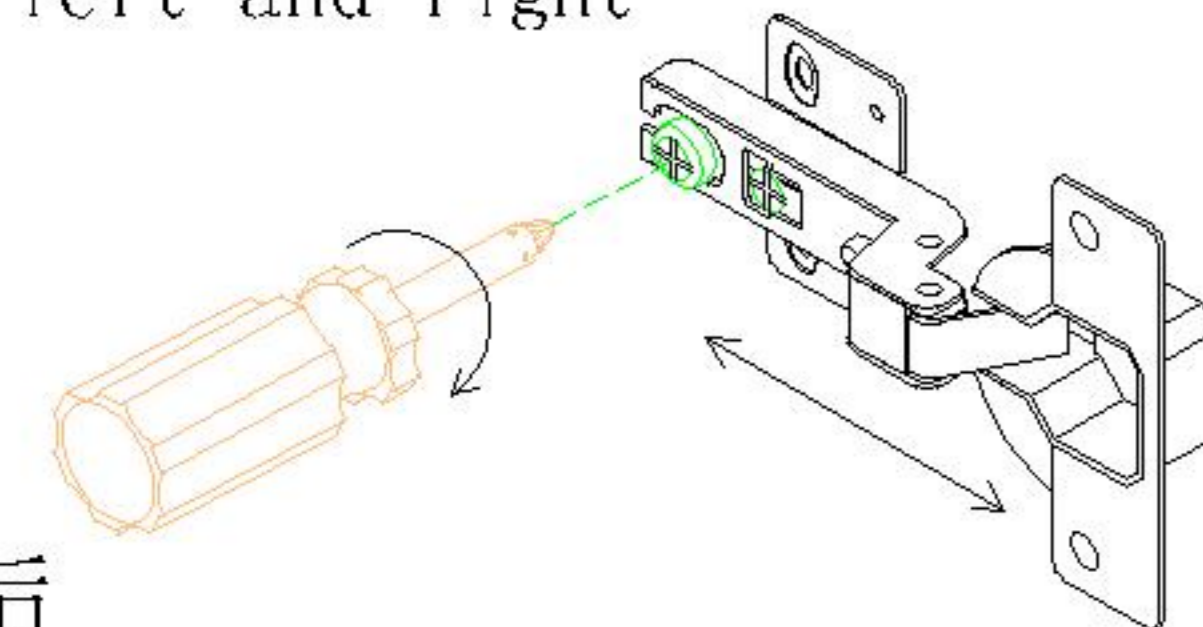
调节上下  
Adjust up and down



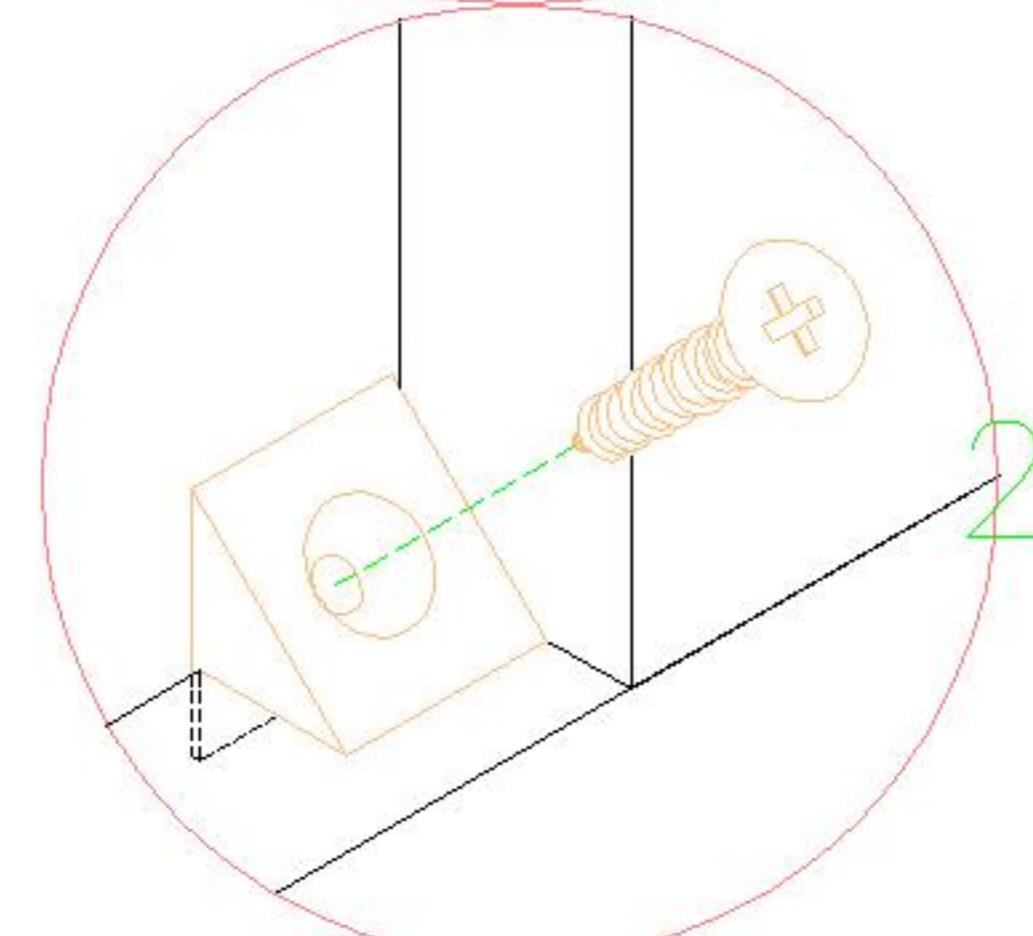
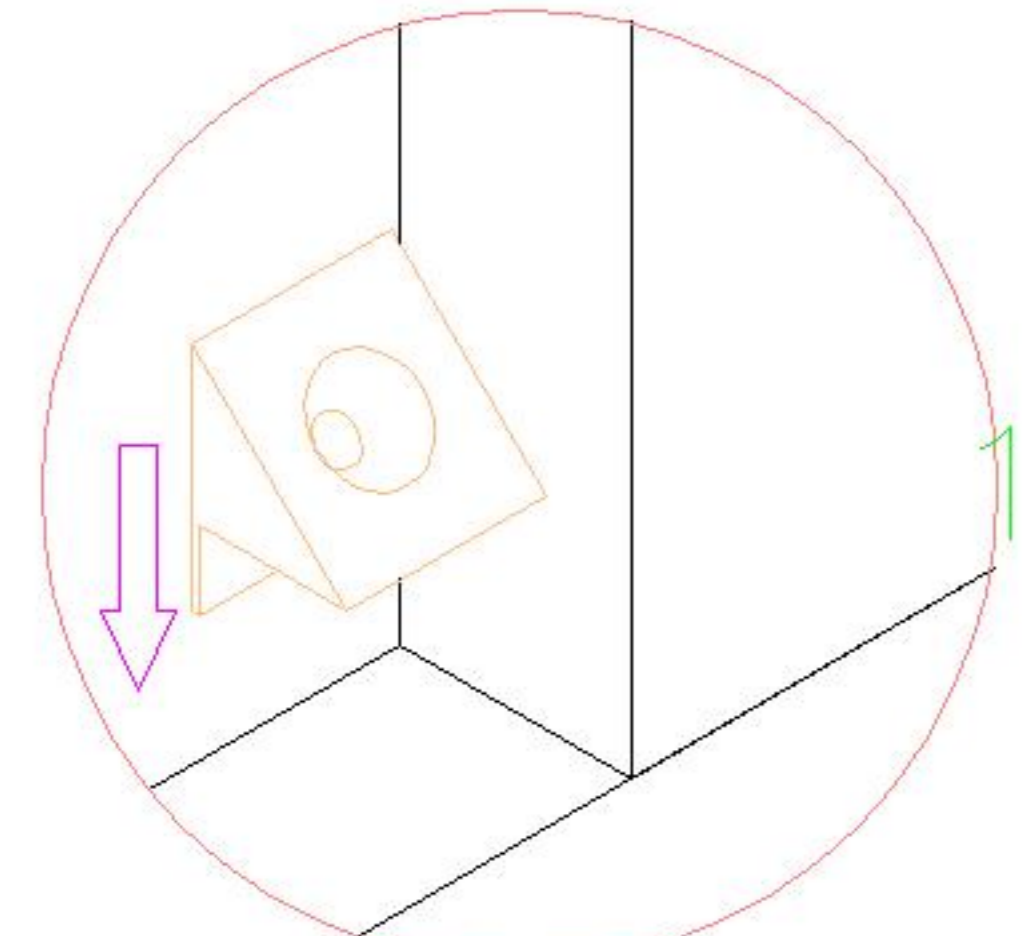
调节左右  
Adjust left and right



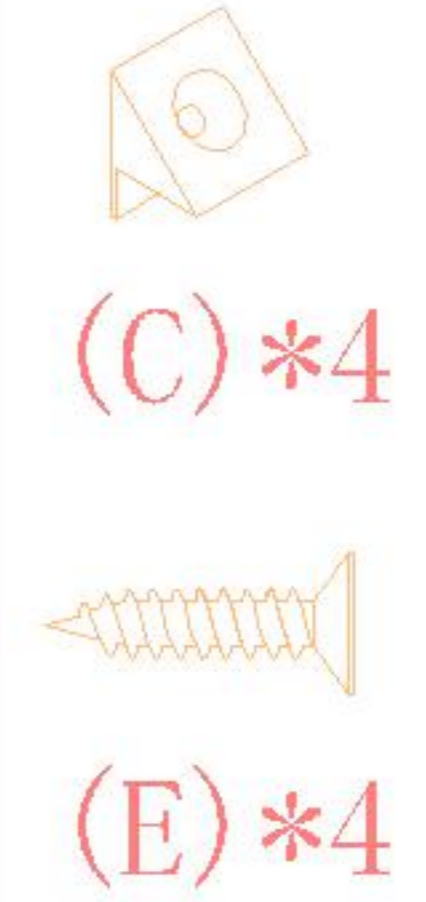
调节前后  
Before and after adjustment



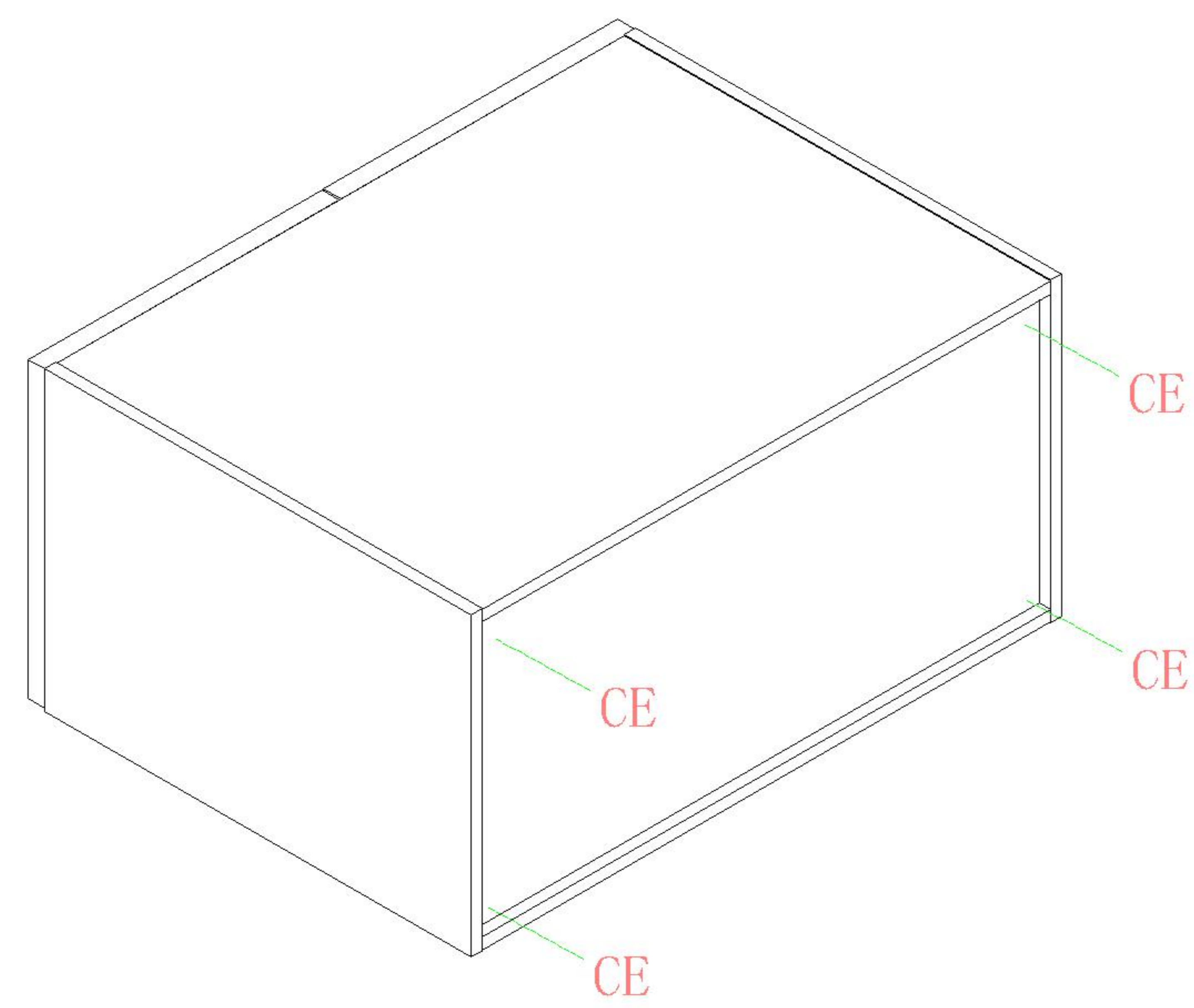
门铰  
Hinge



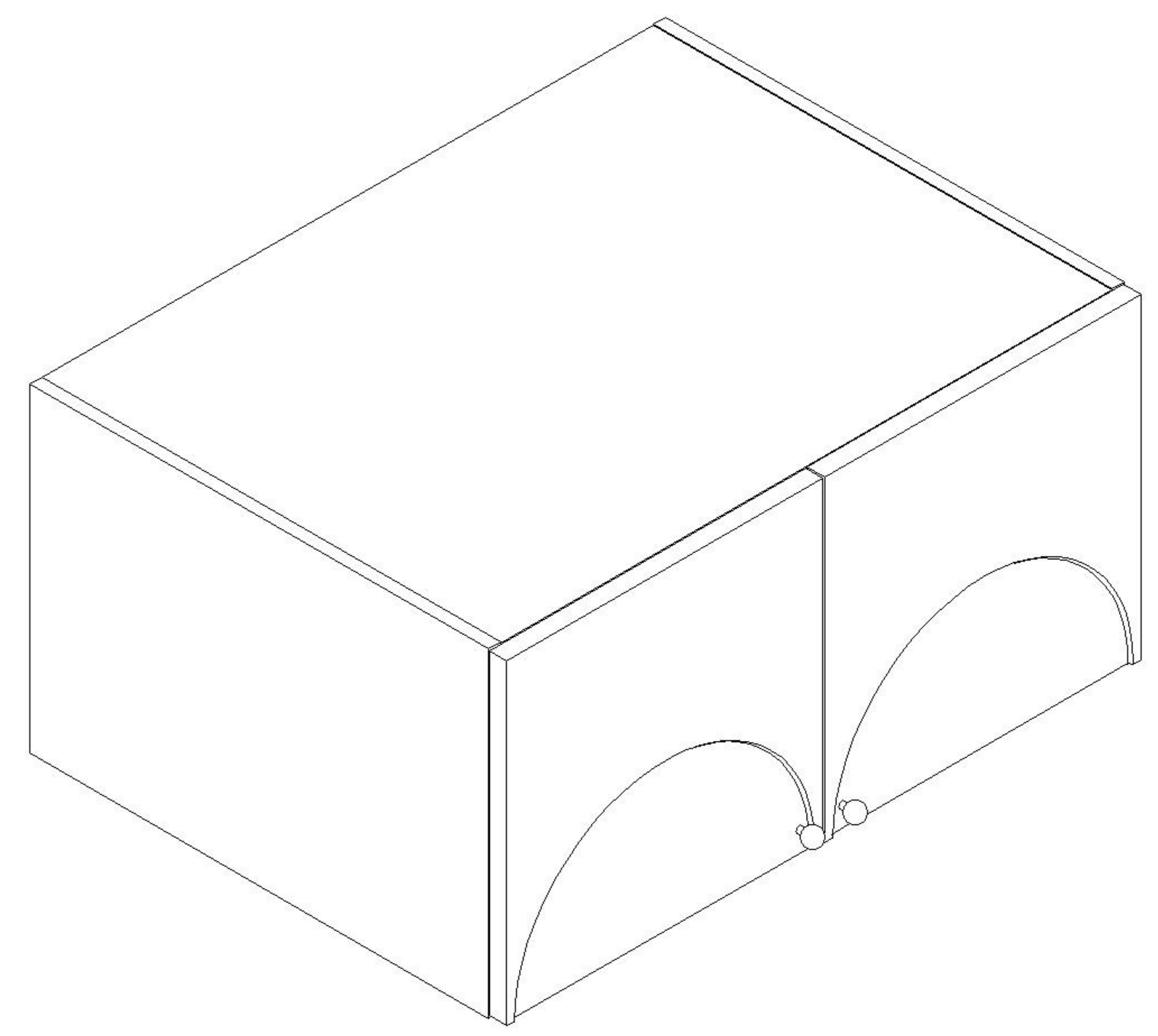
背板扣  
Back Plate Buckle-White



(C)\*4  
(E)\*4

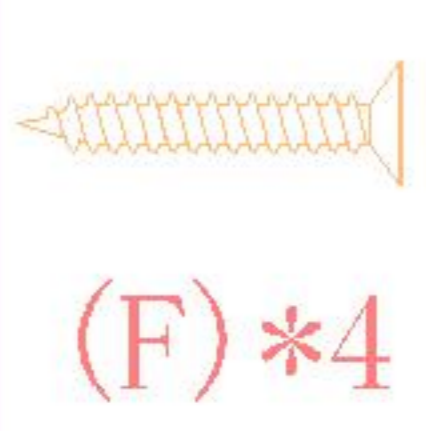


5

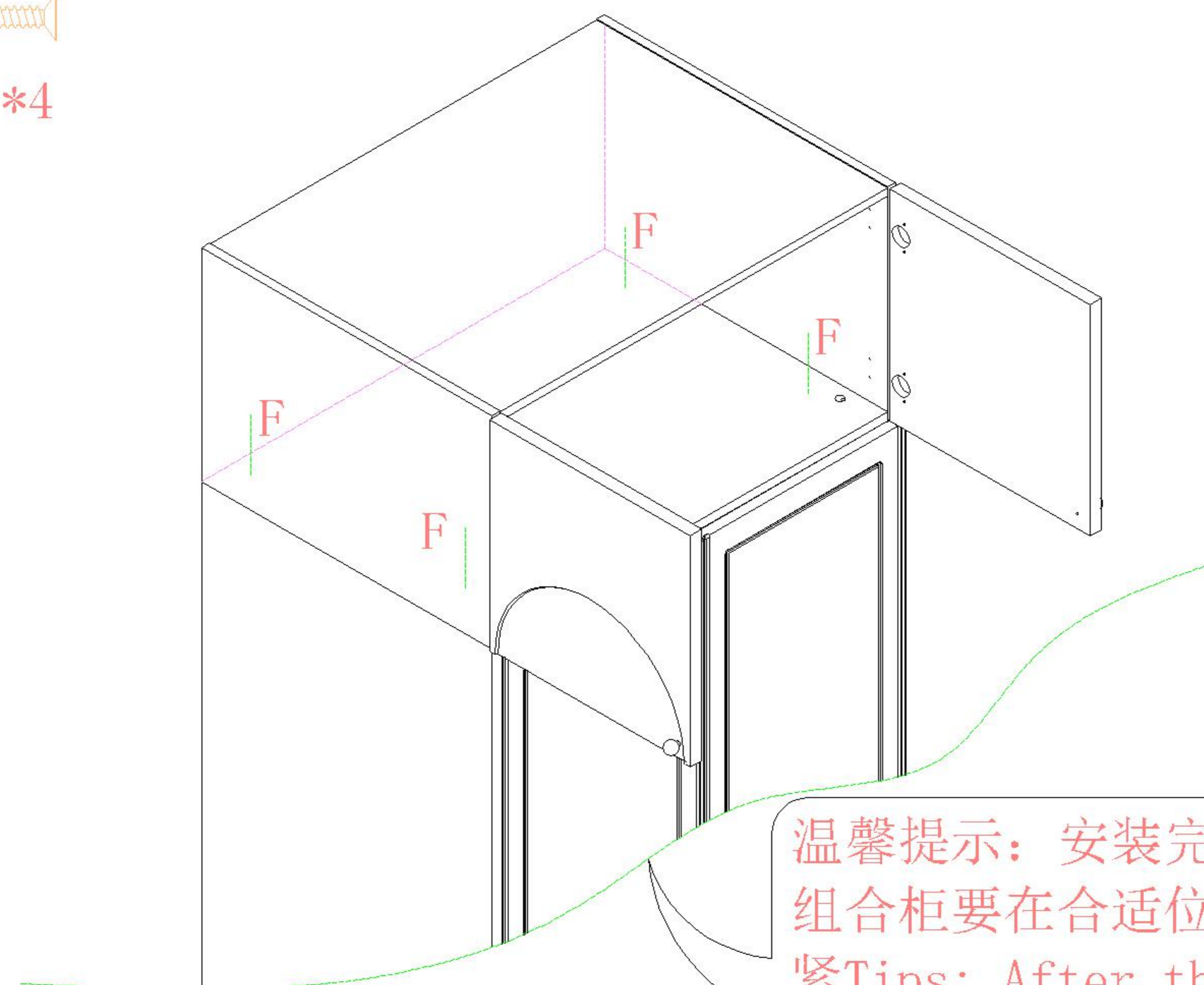


6

▲安装完成  
Installation is complete



(F)\*4



7

温馨提示：安装完成后，顶柜与组合柜要在合适位置用五金F锁紧  
Tips: After the installation, the top cabinet and the combination cabinet should be locked with hardware F at appropriate positions