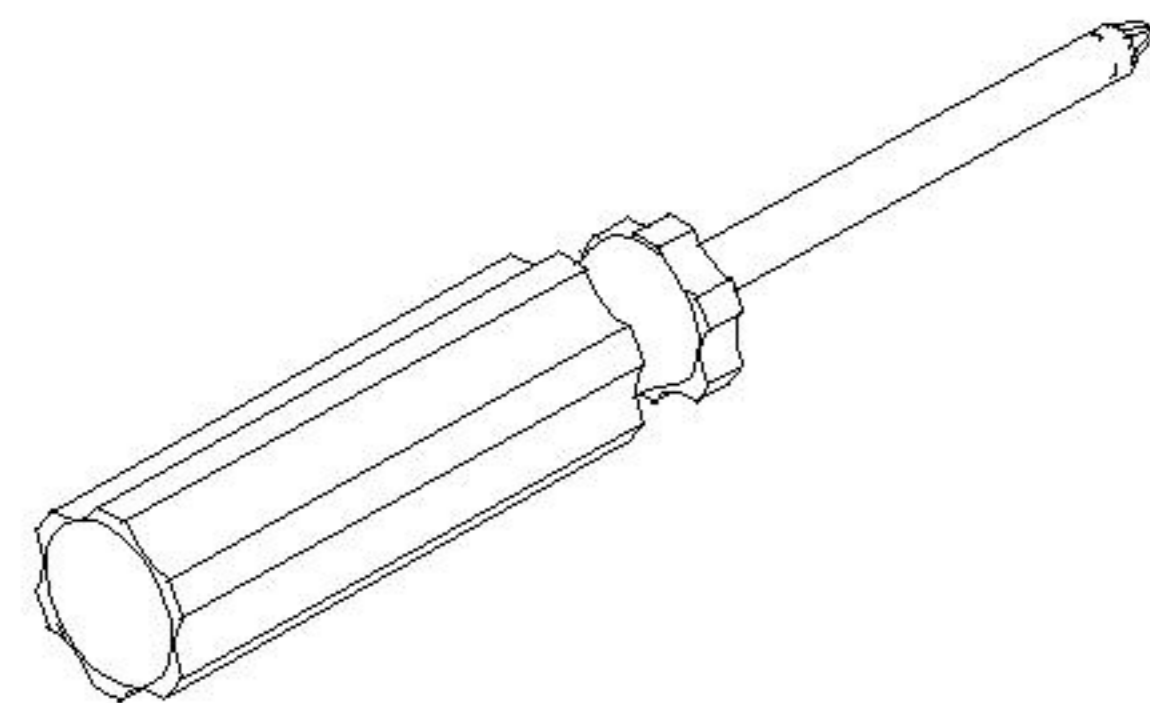
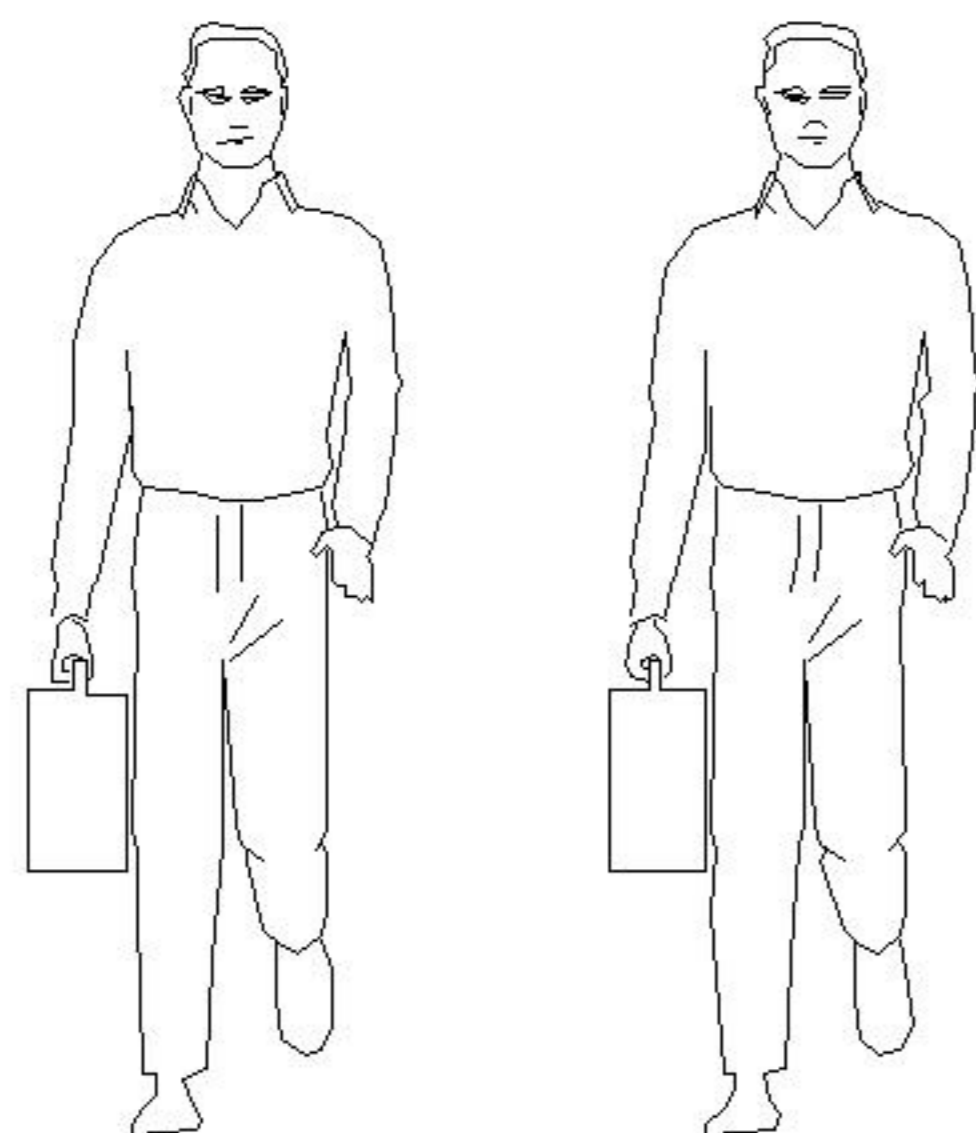
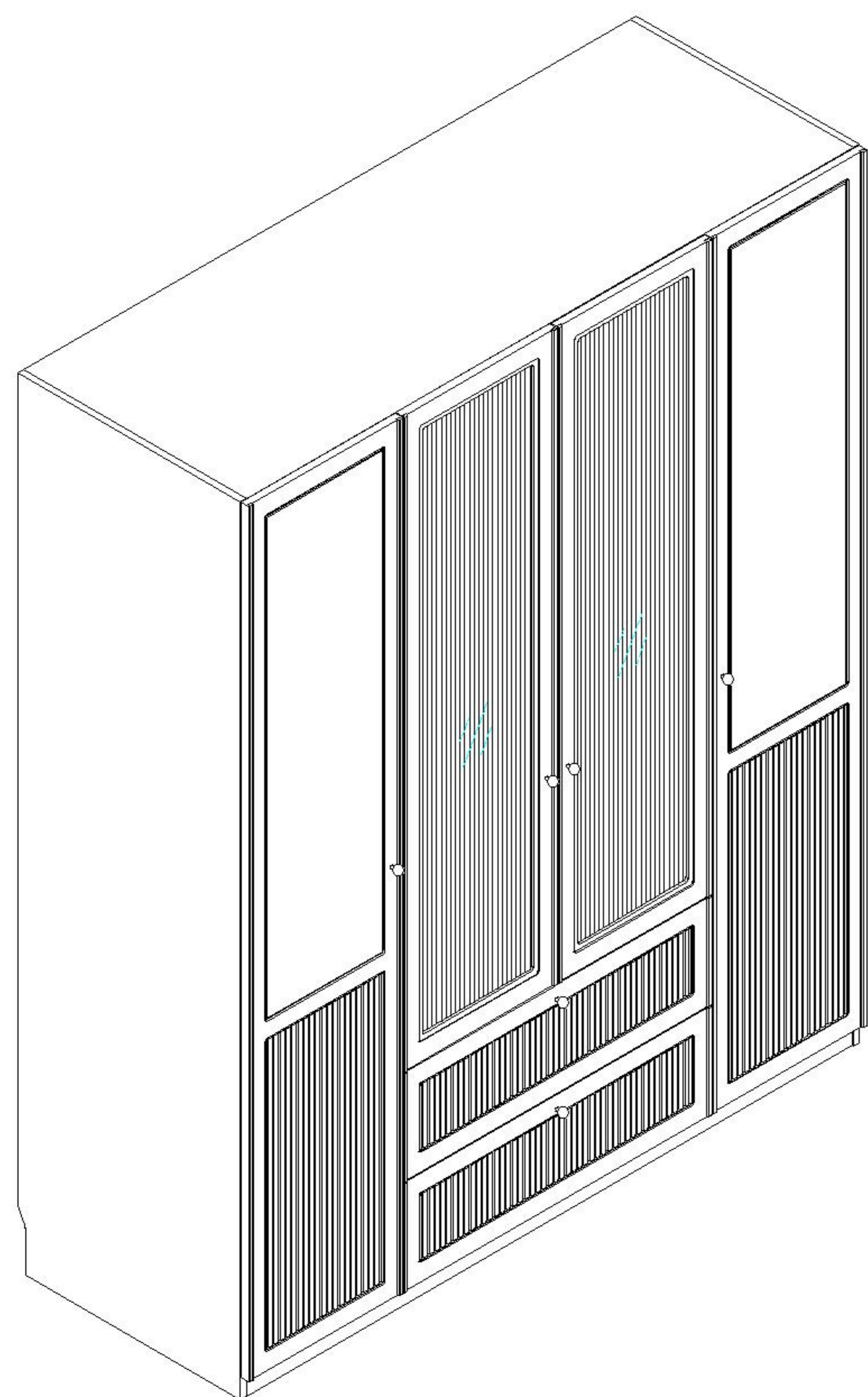


安装示意图/Assembly Instruction

产品名称 Model NO.	TE10D-A
产品规格 Specification	1592*620.5*2003mm
安装工具 Tool	安装人数 Installer
	



注：安装至少需要2人

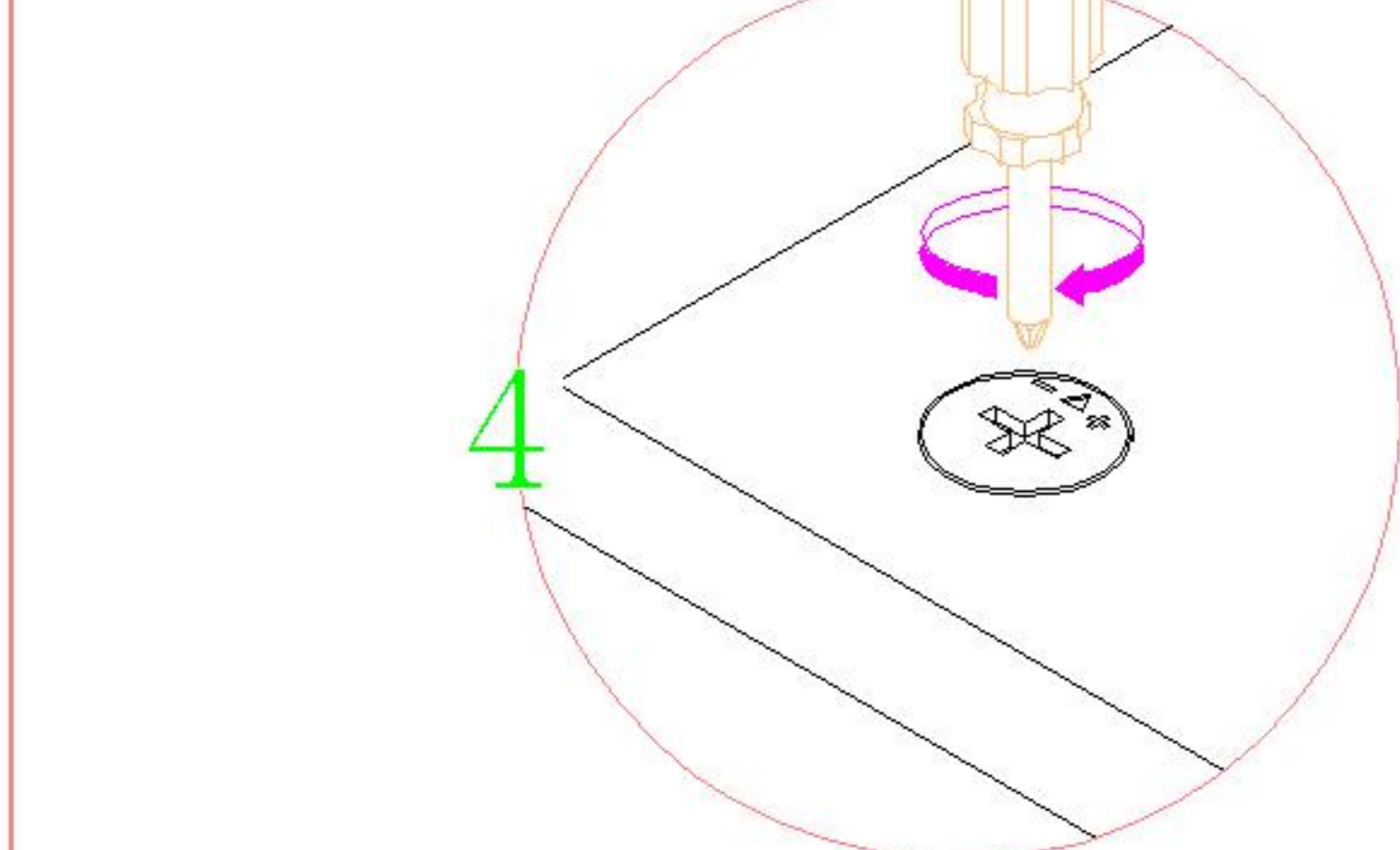
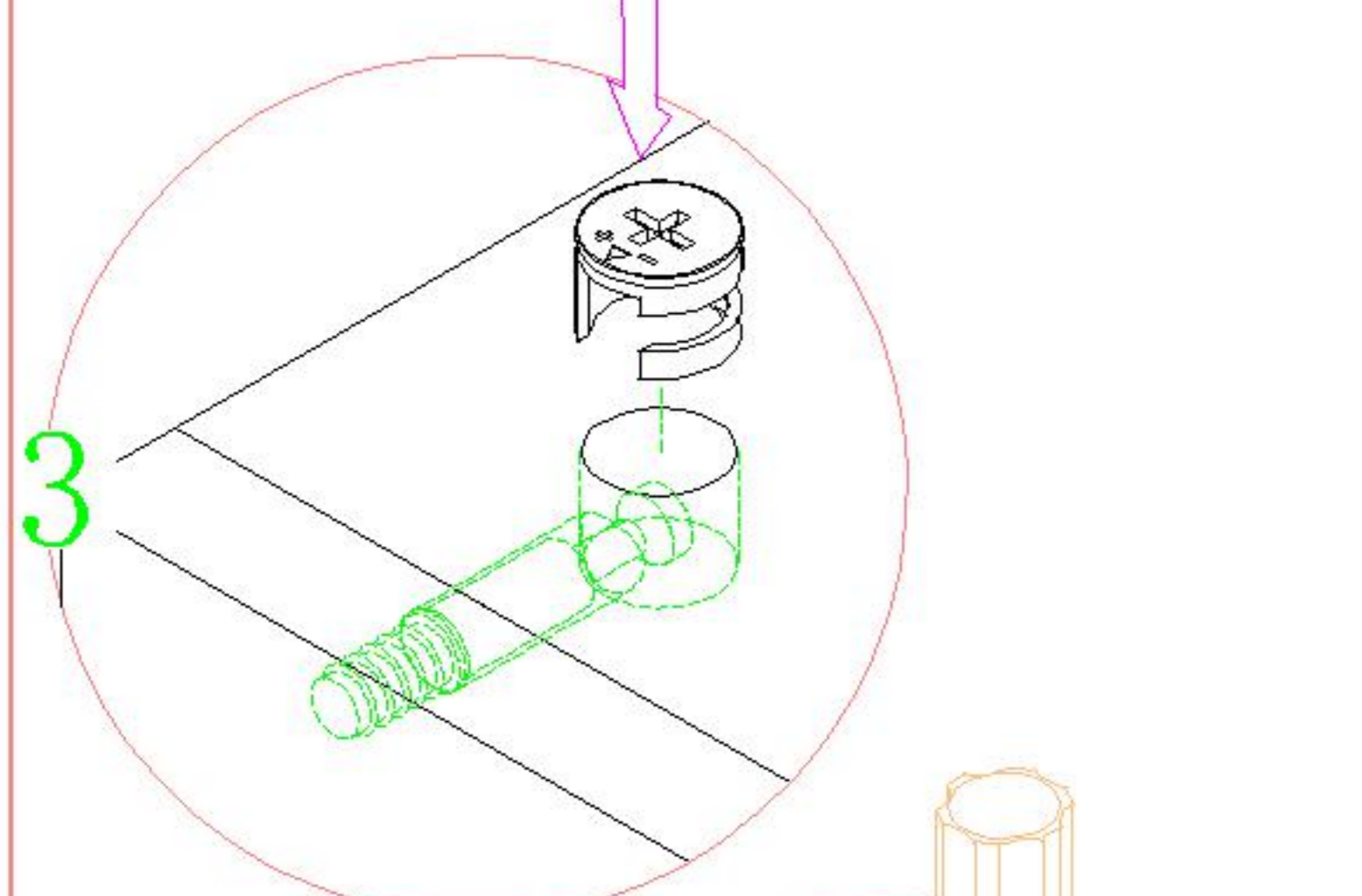
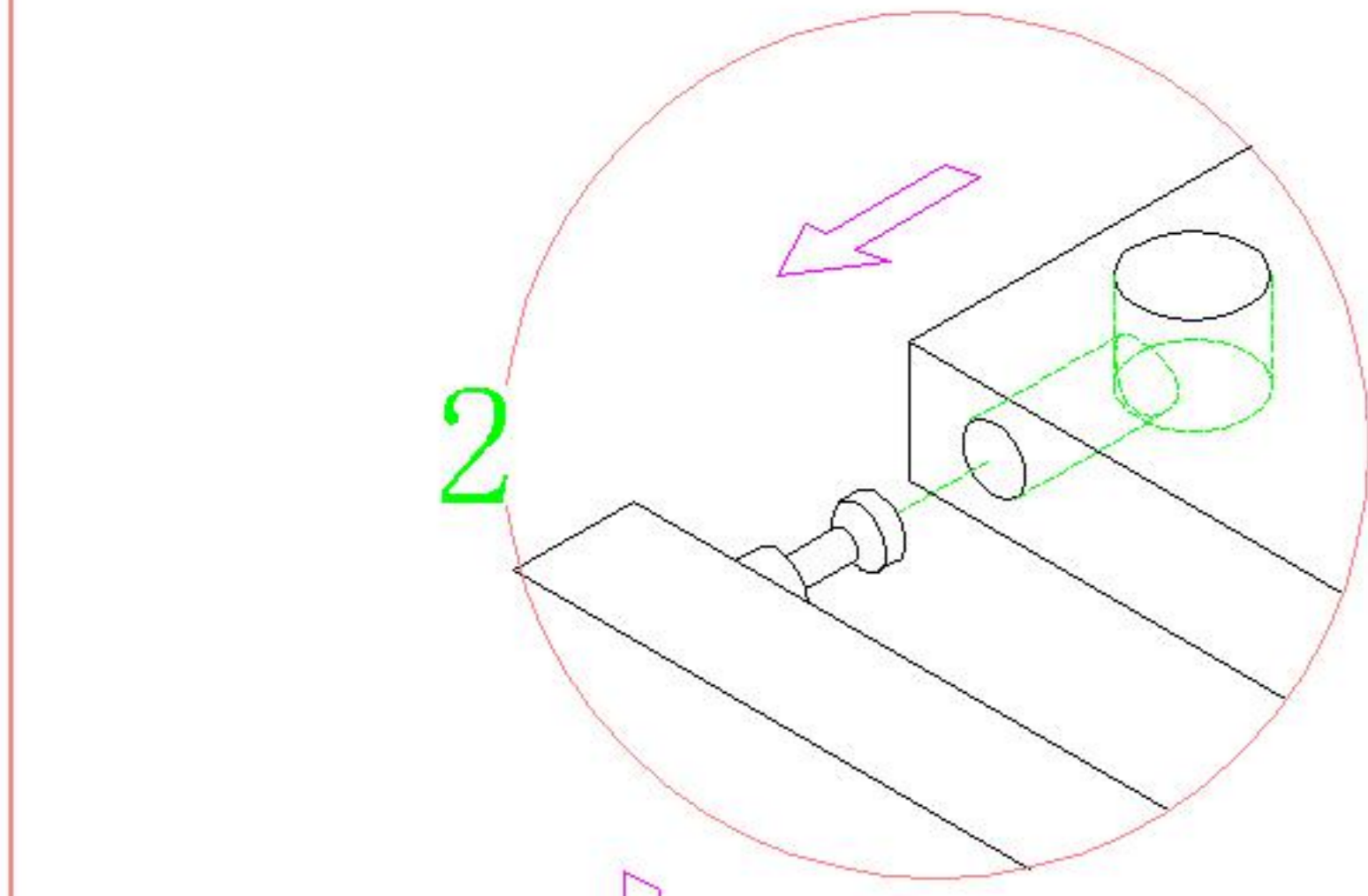
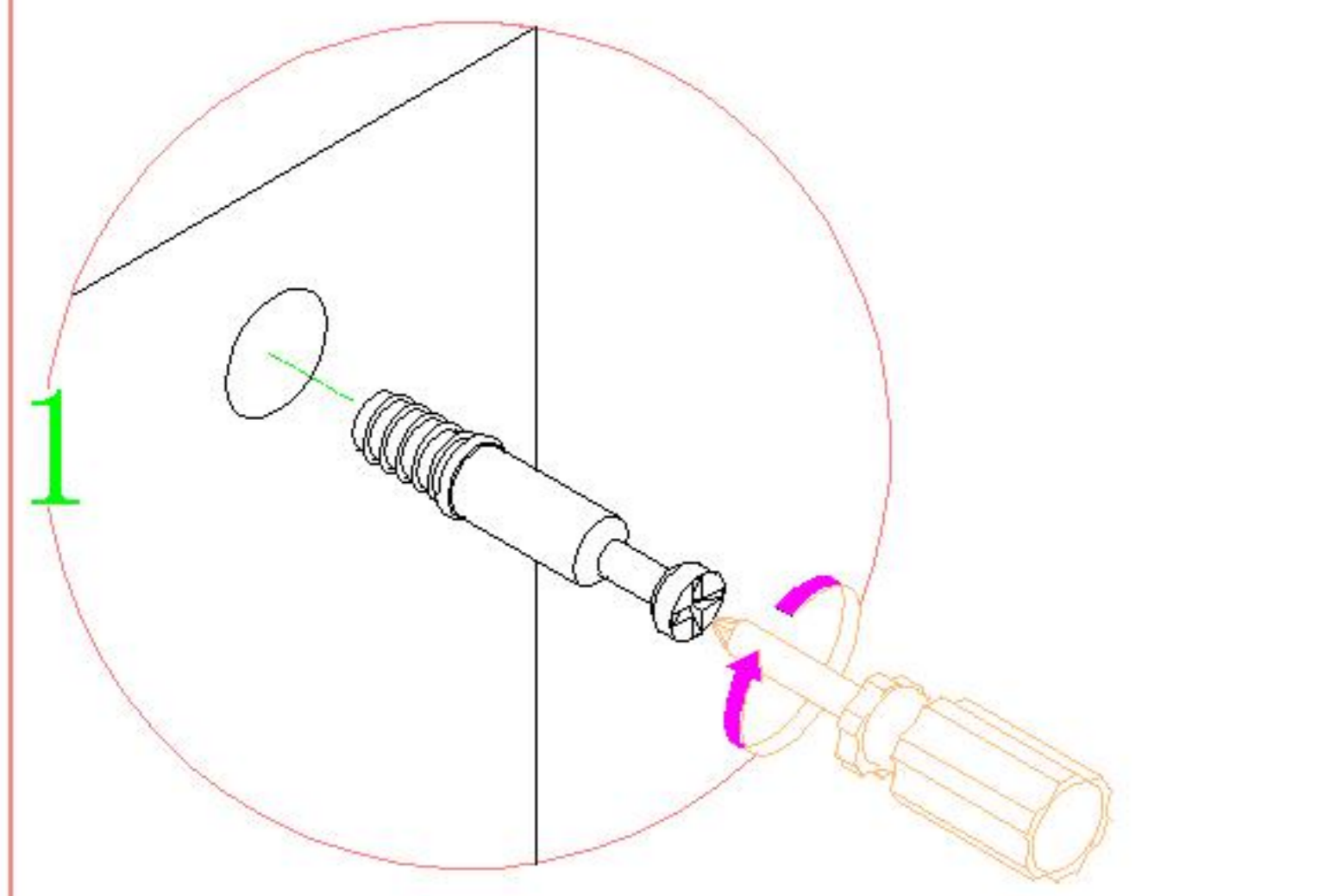
Note: 2 persons are required at least for installation

编号NO.	名称Name	规格 (mm) Specification	数量QTY	材质Material
①	右侧板Side board(R)	2000*574*15	1	人造板 WBP
②	左侧板Side board(L)	2000*574*15	1	人造板 WBP
③	顶板Top board	1562*574*15	1	人造板 WBP
④	底板Bottom board	1562*554*15	1	人造板 WBP
⑤	大层板Big shelf	765*532*15	2	人造板 WBP
⑥	活动层板Movable shelf	382*532*15	2	人造板 WBP
⑦	固定层板Fixed shelf	382*532*15	1	人造板 WBP
⑧	中侧板Middle side board	1912*534*15	2	人造板 WBP
⑨	边背拉条Side back brace	1912*140*15	2	人造板 WBP
⑩	背拉条Back brace	1912*217*15	2	人造板 WBP
⑪	大背板Big backboard	1922*575*5	1	人造板 WBP
⑫	小背板Small backboard	1922*152*5	2	人造板 WBP
⑬	长脚条Long foot slat	1562*58*15	2	人造板 WBP
⑭	中脚条Middle foot strip	522*58*15	2	人造板 WBP
⑮	抽屉侧板Drawer's sideboard	395*142*15	4	人造板 WBP
⑯	抽屉后板Drawer's Back board	740*142*15	2	人造板 WBP
⑰	抽屉底板Drawer's Bottom board	720*405*5	2	人造板 WBP
⑱	抽屉底托条Drawer's bottom bracket	395*58*15	2	人造板 WBP
⑲	抽屉面板Drawer's top panel	794*242*22	2	吸塑板Blister board
⑳	左门板Door board(L)	1950*396*22	1	吸塑板Blister board
㉑	右门板Door board(R)	1950*396*22	1	吸塑板Blister board
㉒	左中门板组立Left middle door panel assembly	1460*396*22	1	吸塑板+玻璃Blister board+Glass
㉓	右中门板组立Right middle door panel assembly	1460*396*22	1	吸塑板+玻璃Blister board+Glass

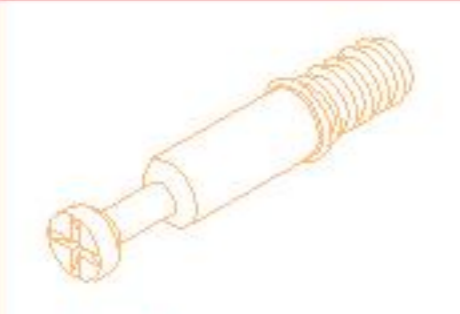
 (A)* 88 二合一螺杆 2-in-1-screw	 (B)* 88 大三合一锁饼 Three-in-one large lock	 (C)* 17 木榫Ø8x30mm wood tenon	 (D)* 42 自攻螺丝M3.5x12mm Self-tapping screw
 (E)* 15 自攻螺丝M3.5x16mm Self-tapping screw	 (F)* 15 背板扣 Back Plate Buckle-White	 (G)* 6 拉手 Handle	 (H)* 6 拉手螺丝-M4x22mm pulling screw
 (I)* 3 透气孔盖-白色 Vent cover - white	 (J)* 8 挂衣托-F874-B Clothes hanger	 (K)* 1 挂衣杆1 L-758 Clothes hanging rod 3	 (L)* 3 挂衣杆2 L-375 Clothes hanging rod 2
 (M)* 2 三节滚珠导轨-14" three-section ball rail	 (N)* 14 缓冲门铰直弯-杯径Ø35 llinge straight bending diameter 35	 (O)* 20 层板托 shelf support	 (P)* 16 脚垫-灰色 Footrest - Grey
 (Q)* 4 过山丝-M7x38mm Self-tapping screw galvanized	 (R)* 1 内六角扳手4mm spanner-(4mm) hex		

TE10D-A

安装方法/
Installation method



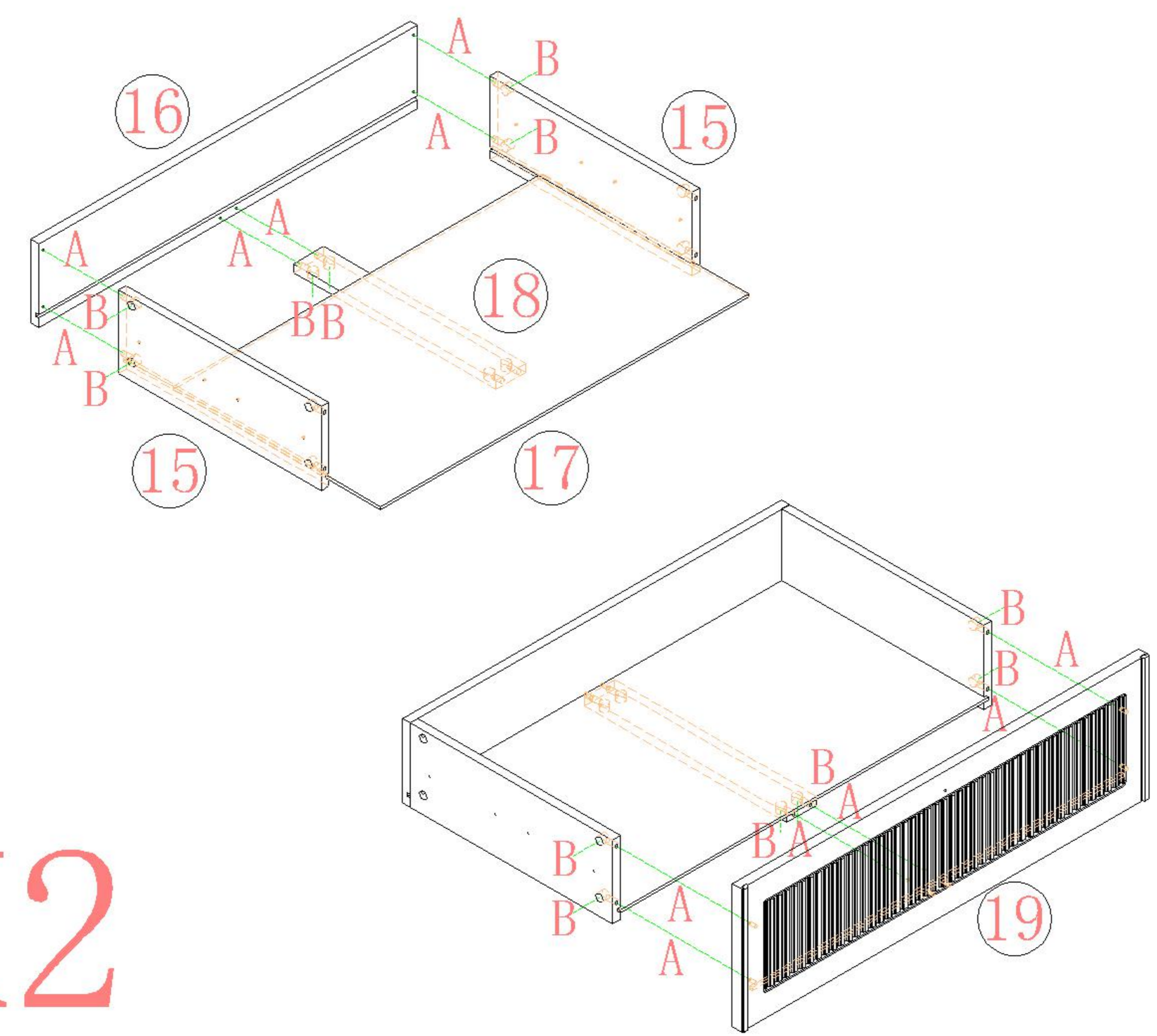
大二合一
two-in-one



(A)*24

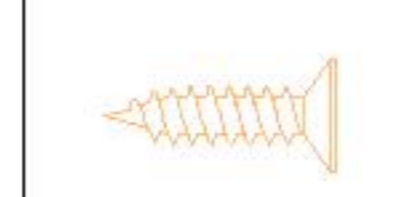


(B)*24



X2

1



(D)*12



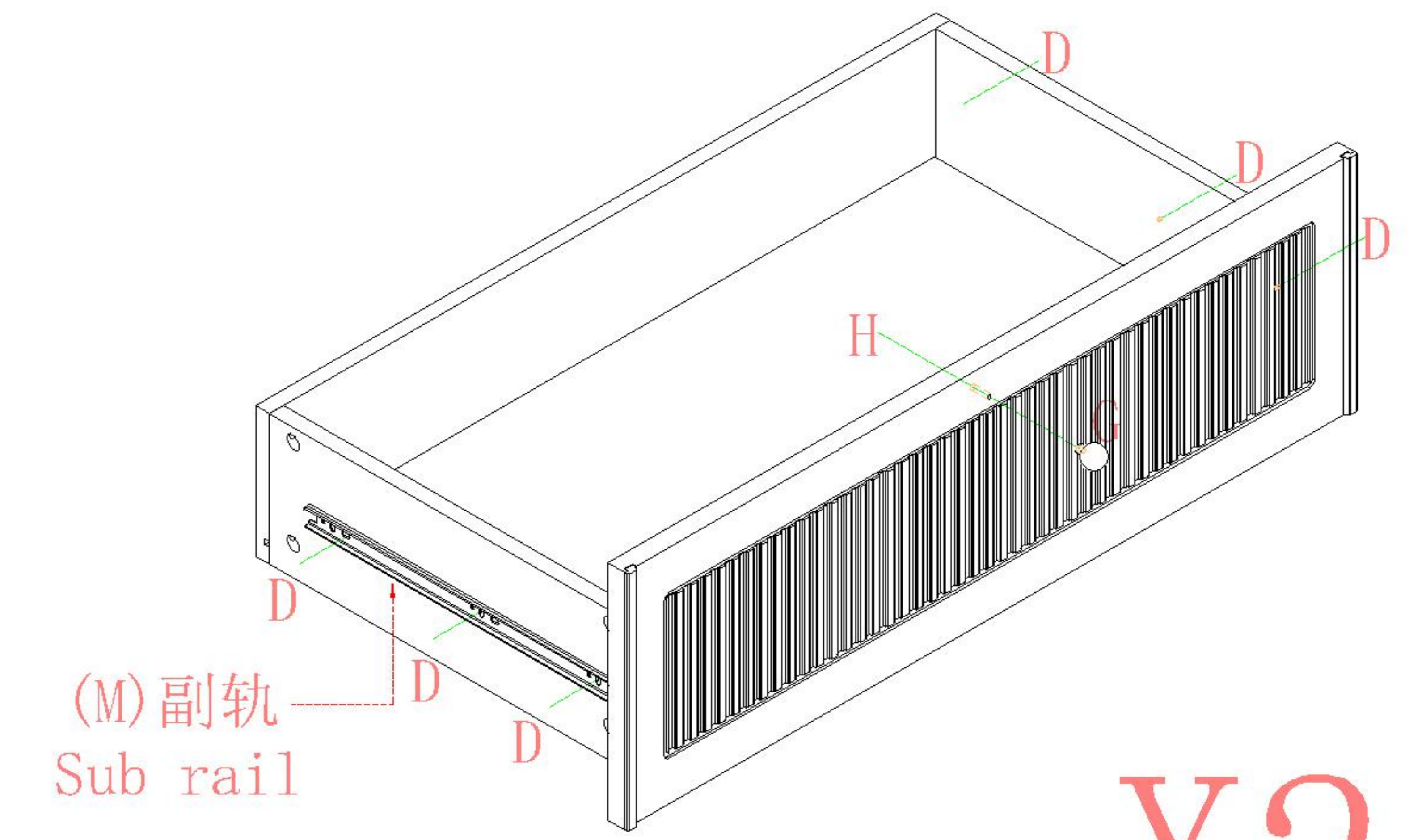
(M)*2



(G)*2



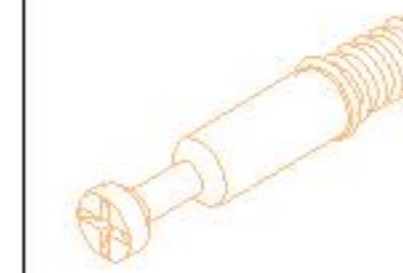
(H)*2



(M) 副轨
Sub rail

X2

3



(A)*12



(B)*12



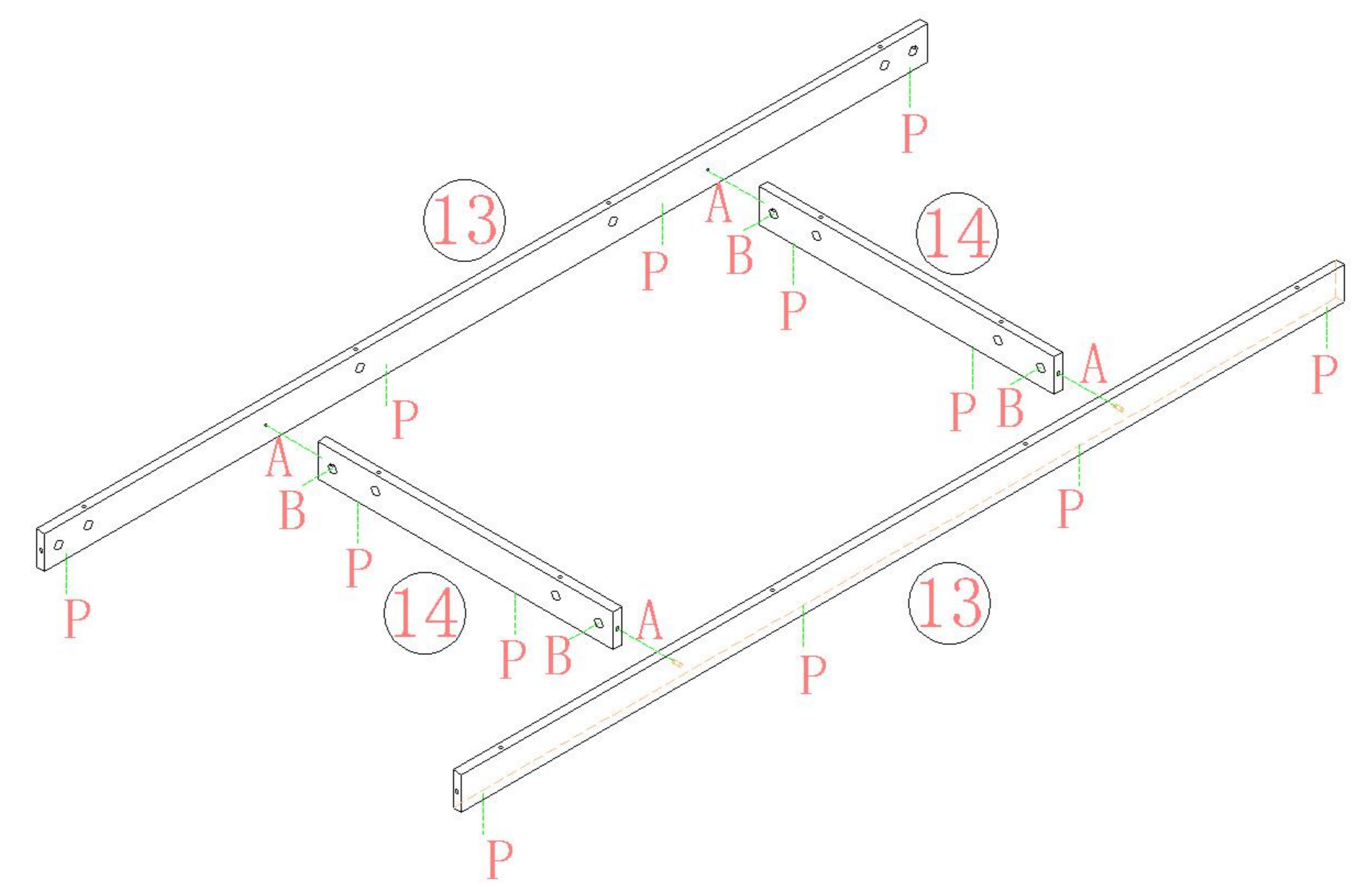
(A)*4



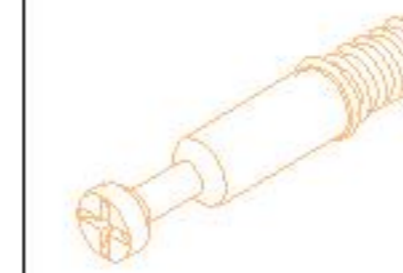
(B)*4



(P)*12



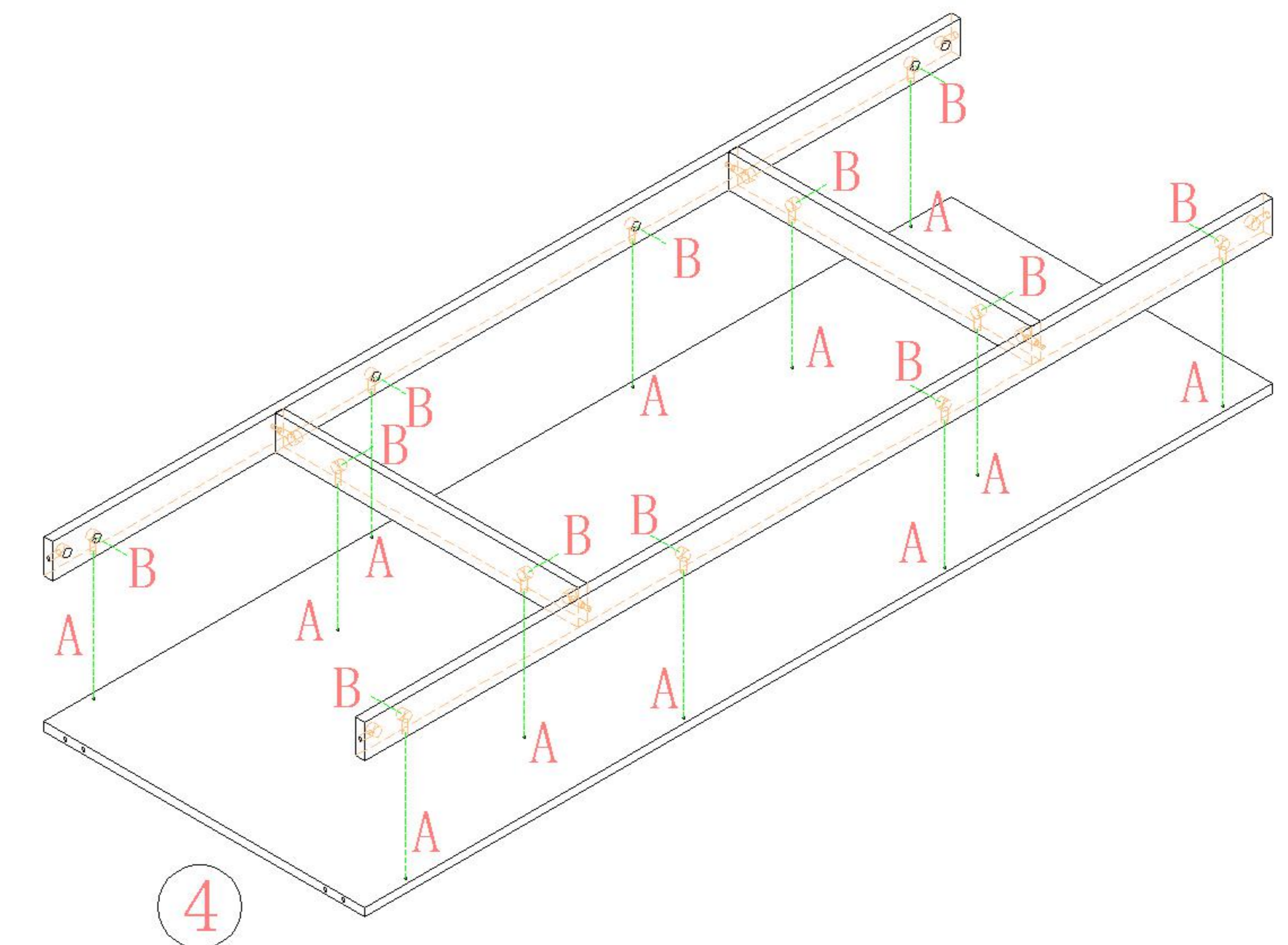
4



(A)*12



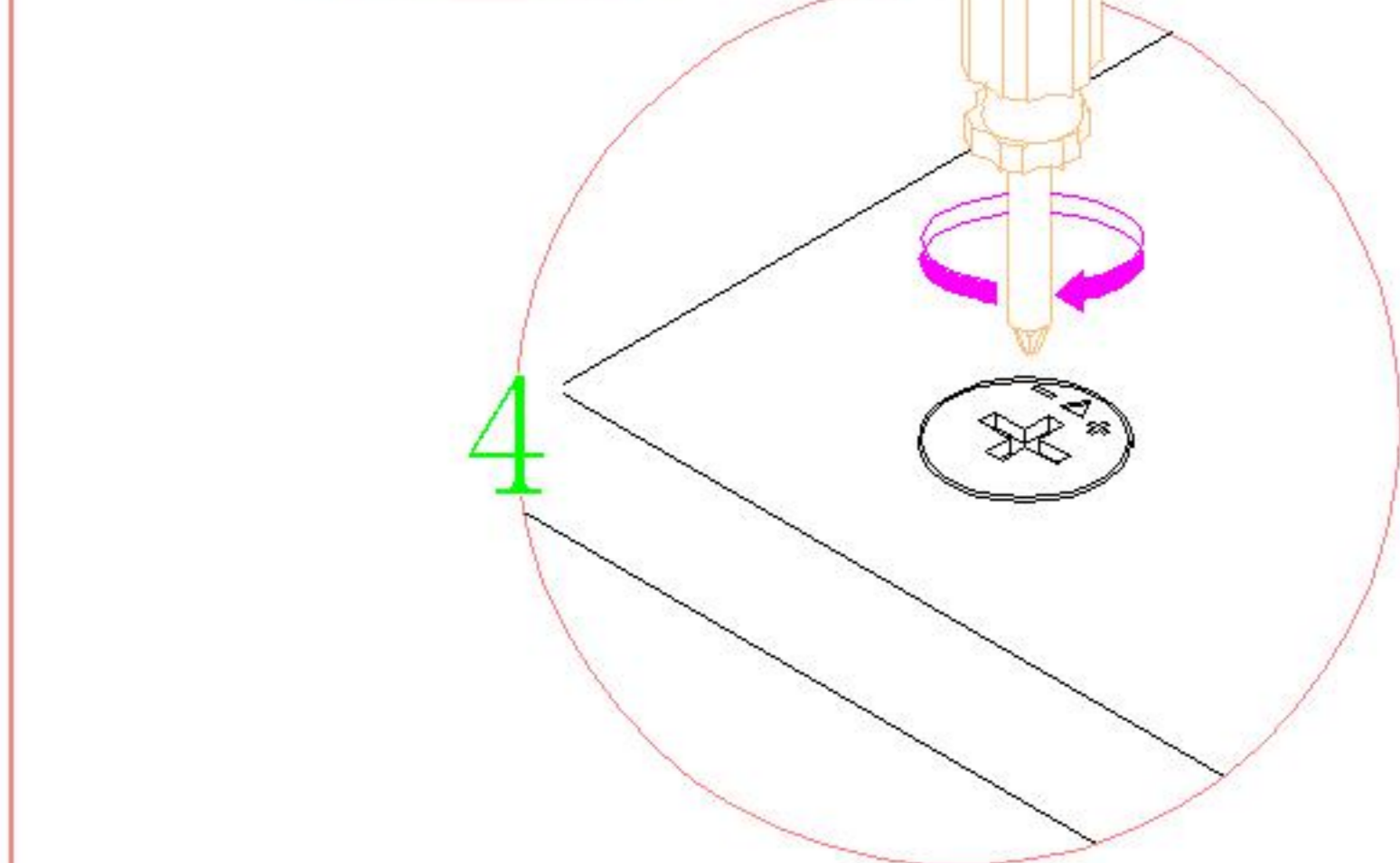
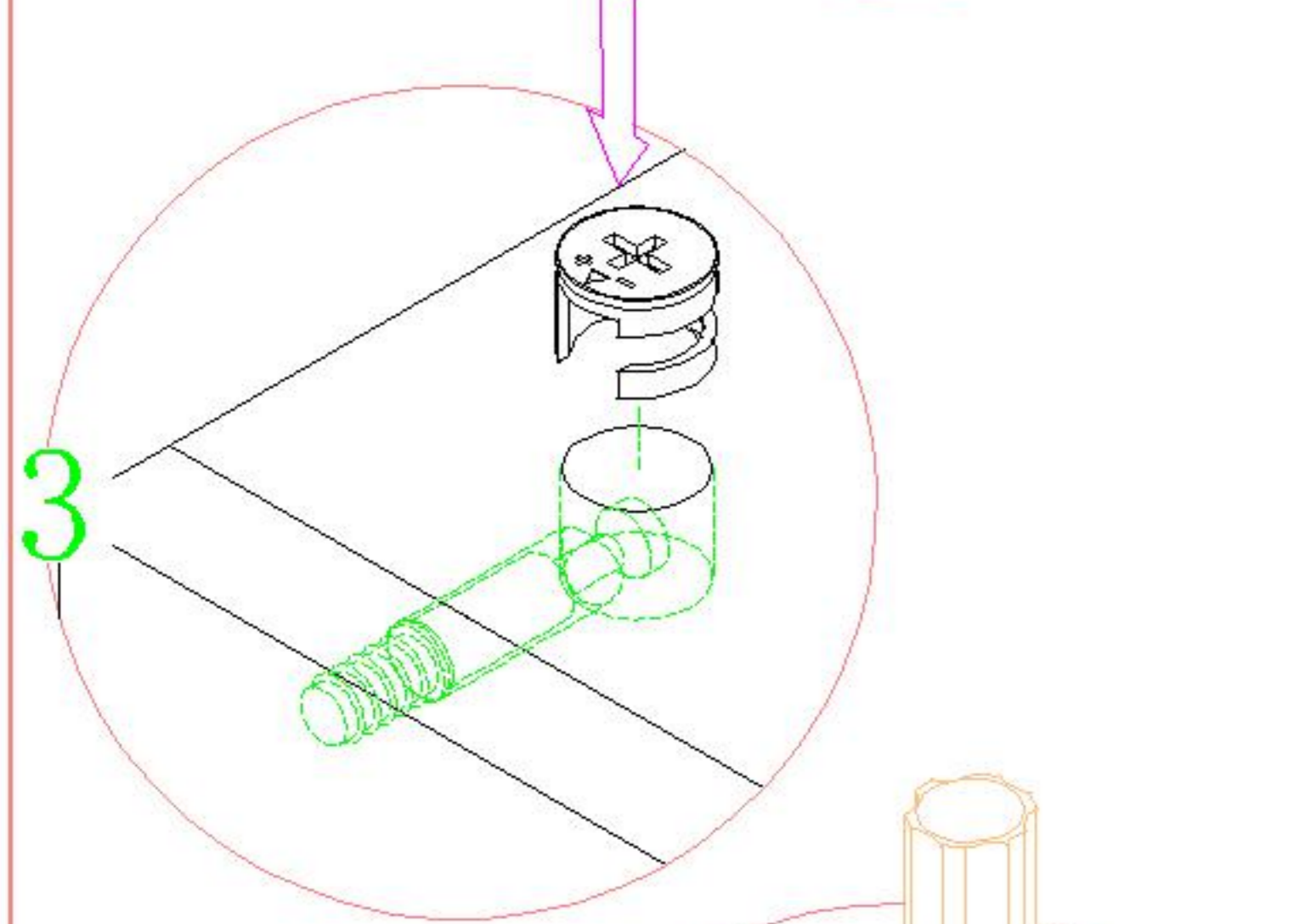
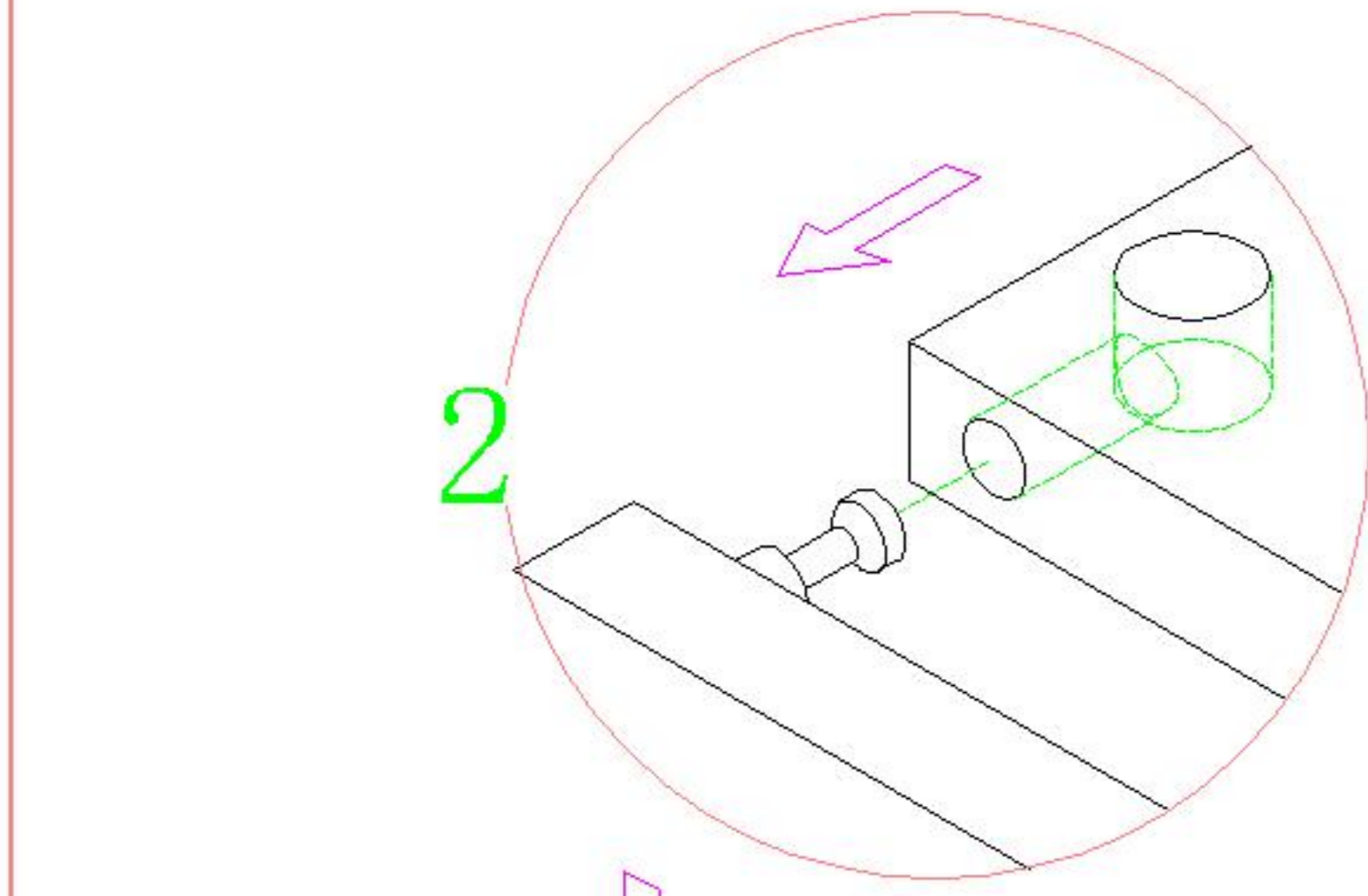
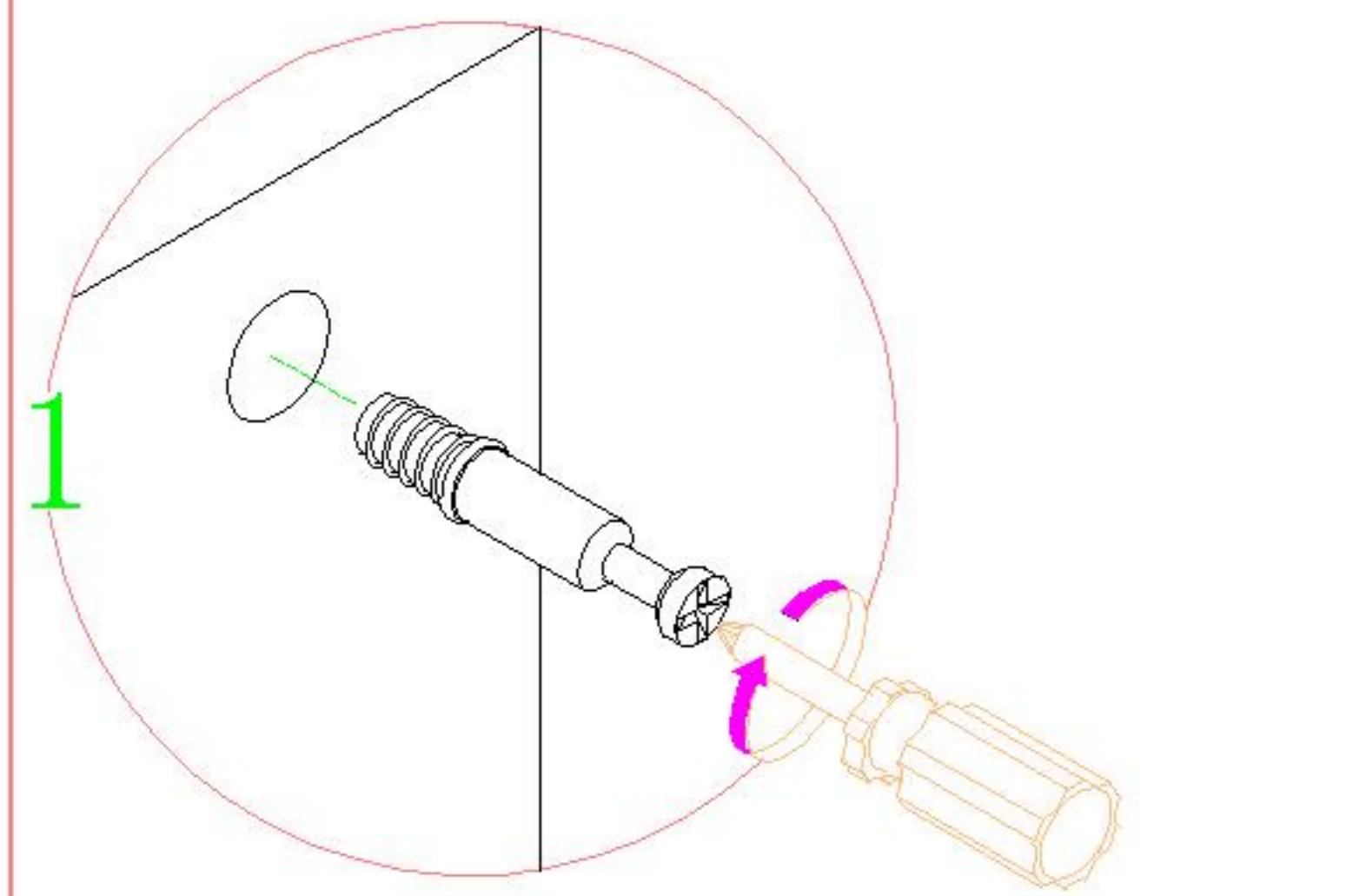
(B)*12



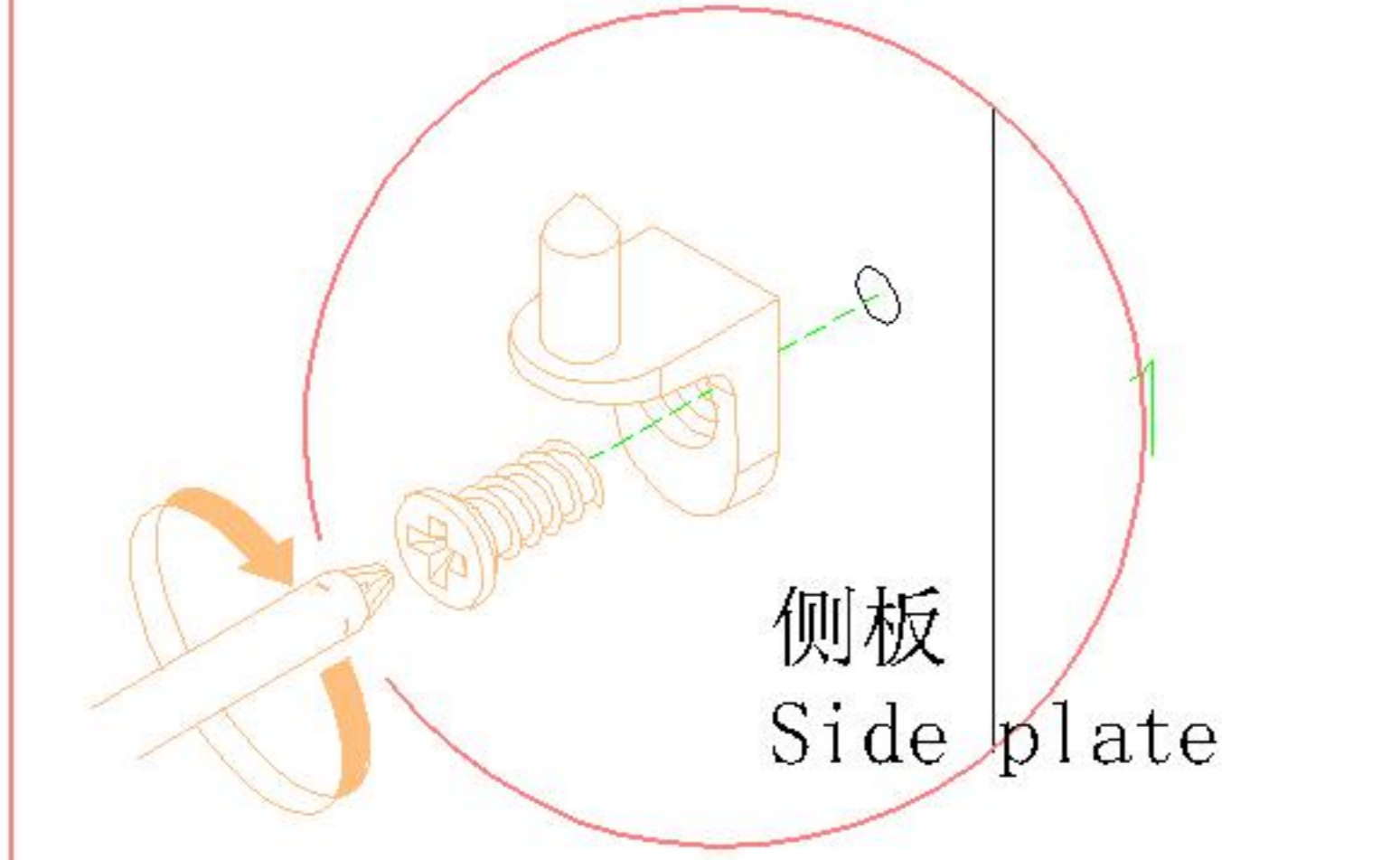
X2

TE10D-A

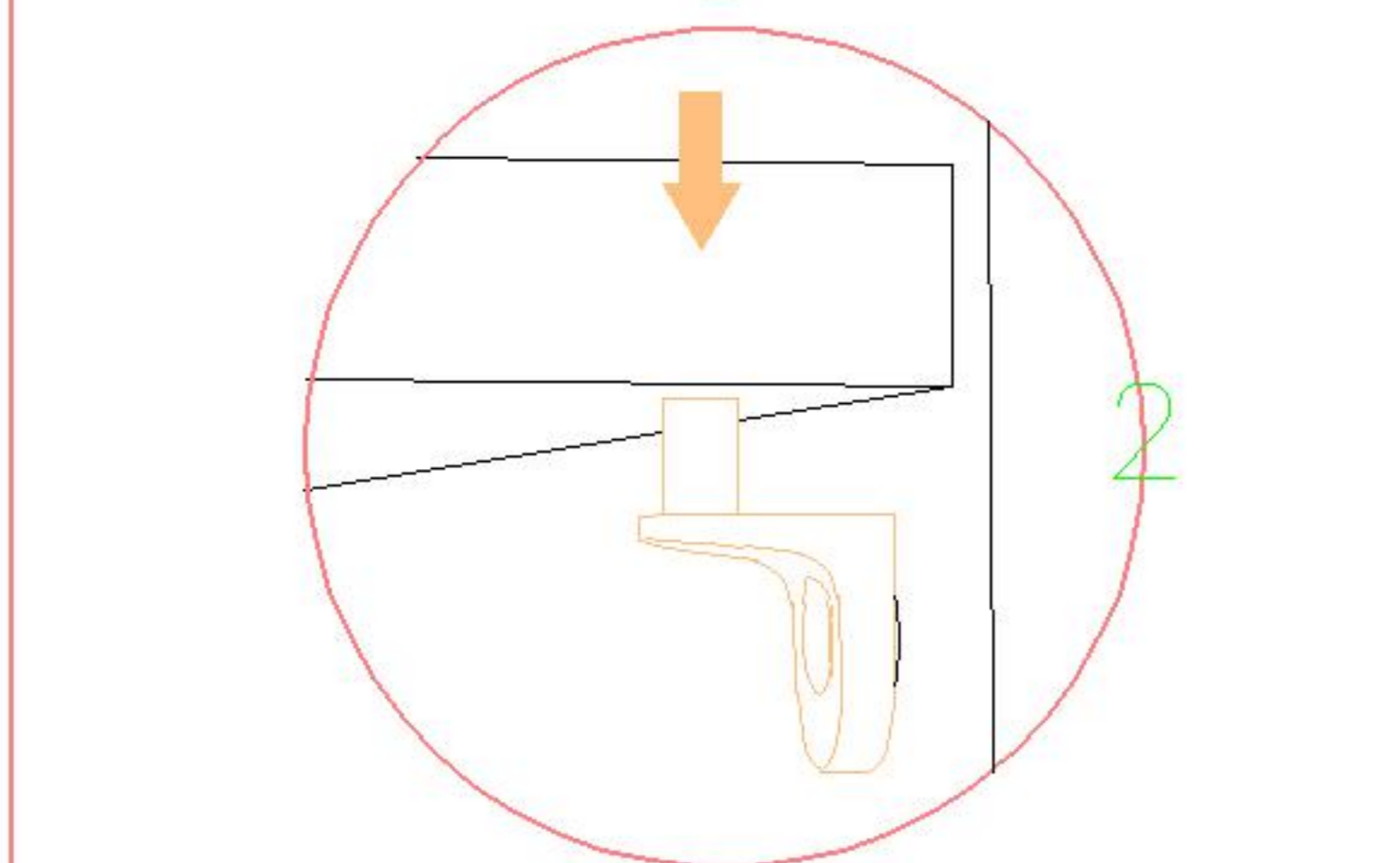
安装方法/
Installation method



大二合一
two-in-one

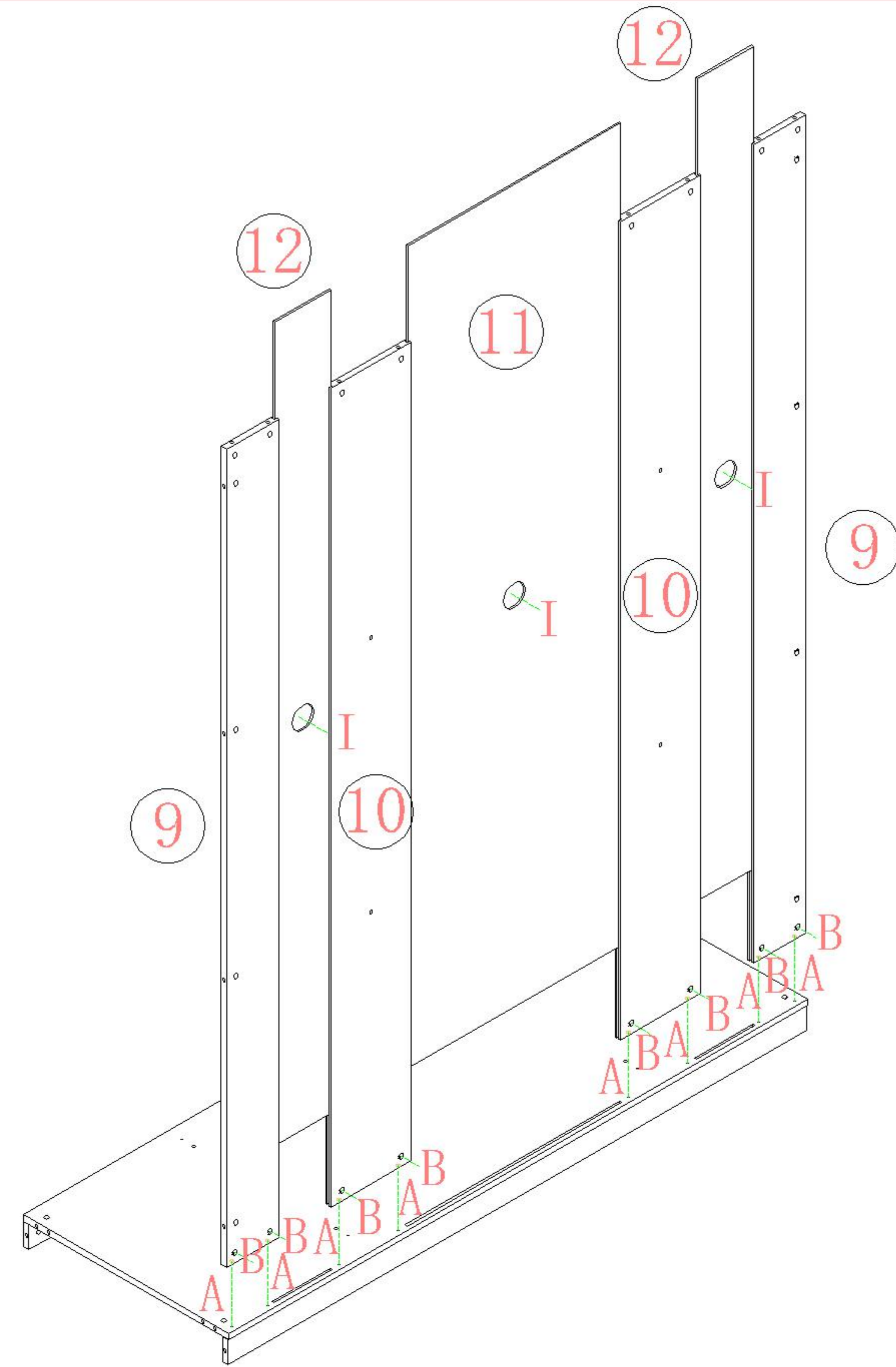


侧板
Side plate



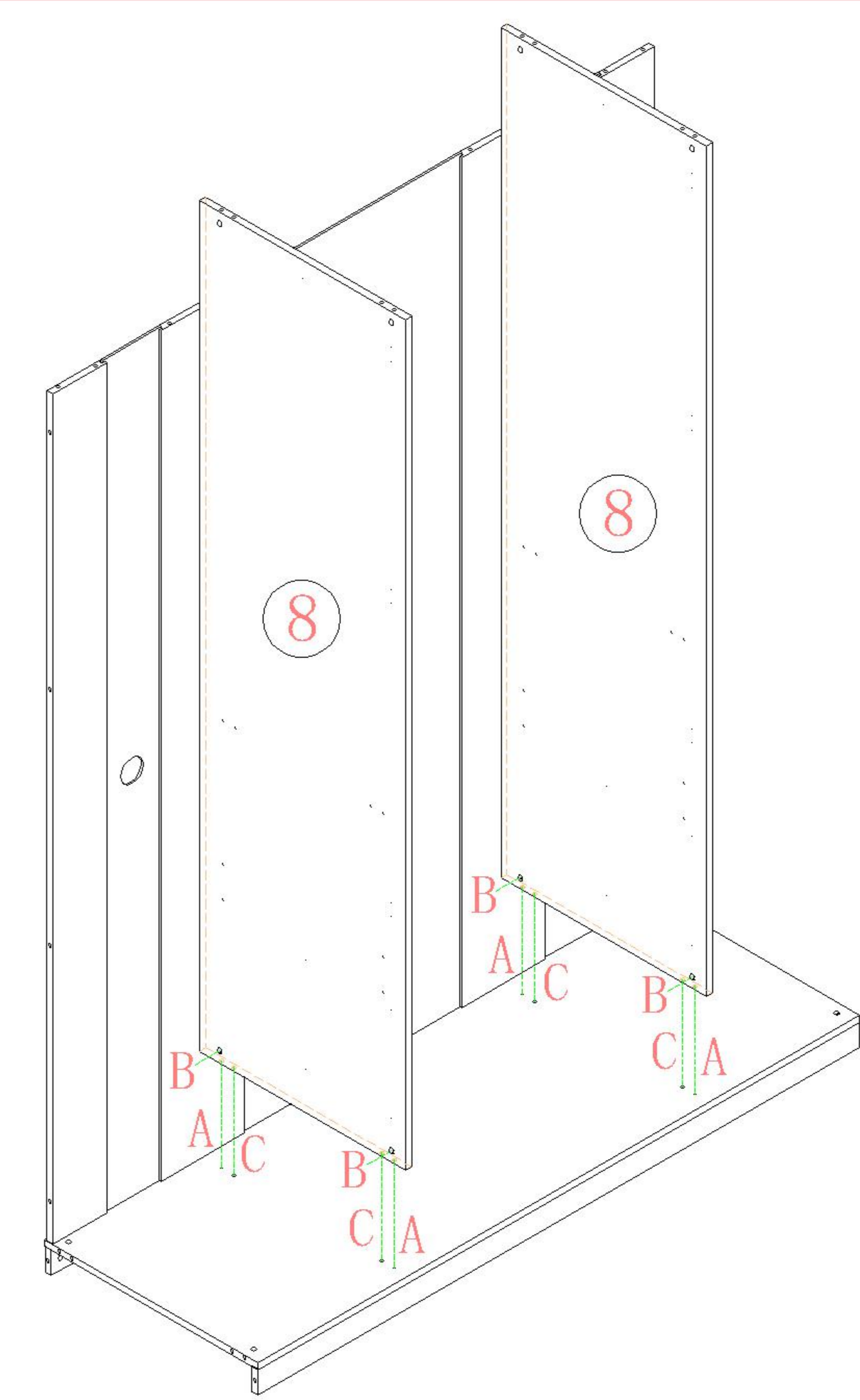
层板托5mm
shelf support

- (A)*8
- (B)*8
- (I)*3



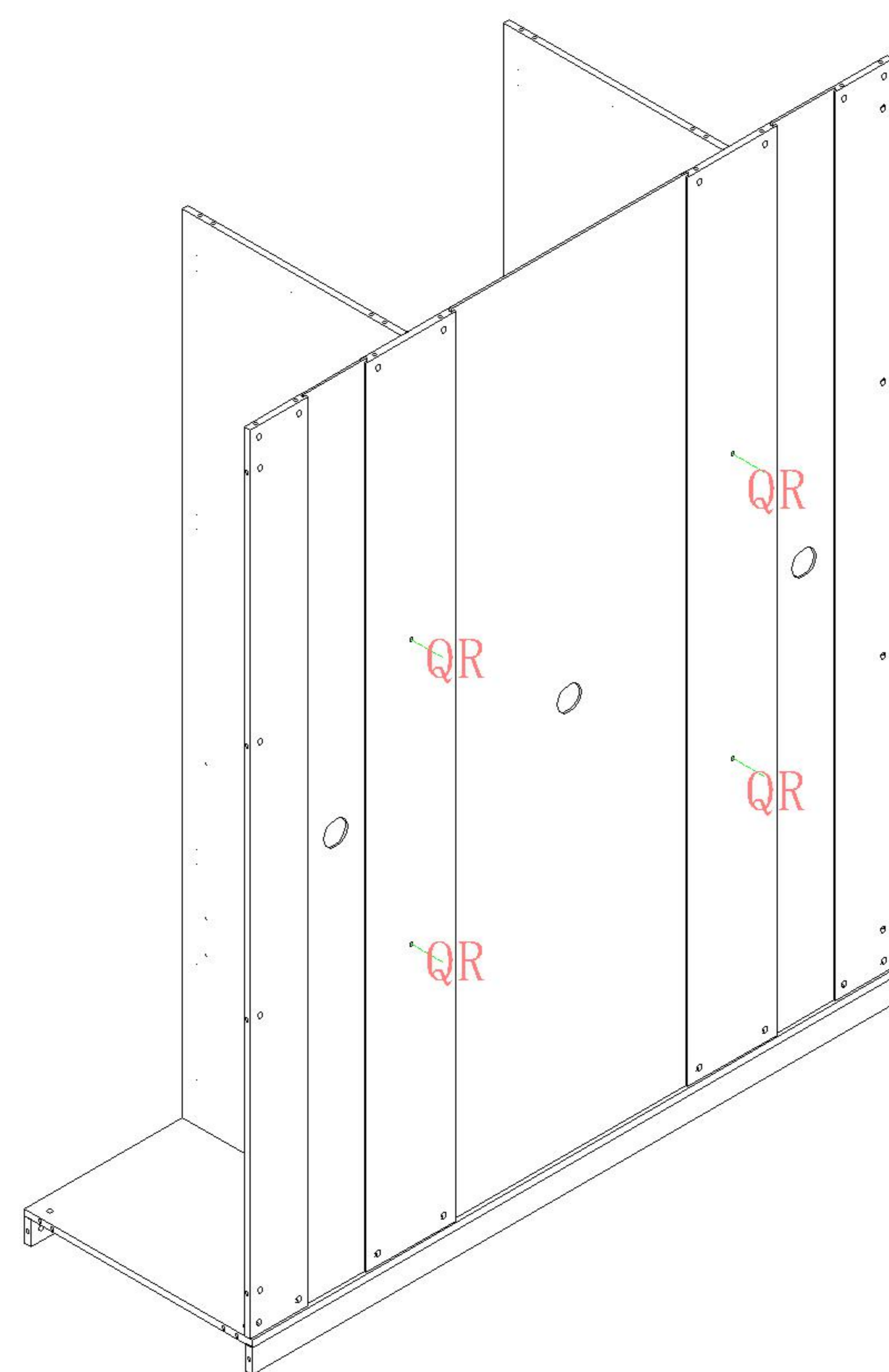
5

- (A)*4
- (B)*4
- (C)*4



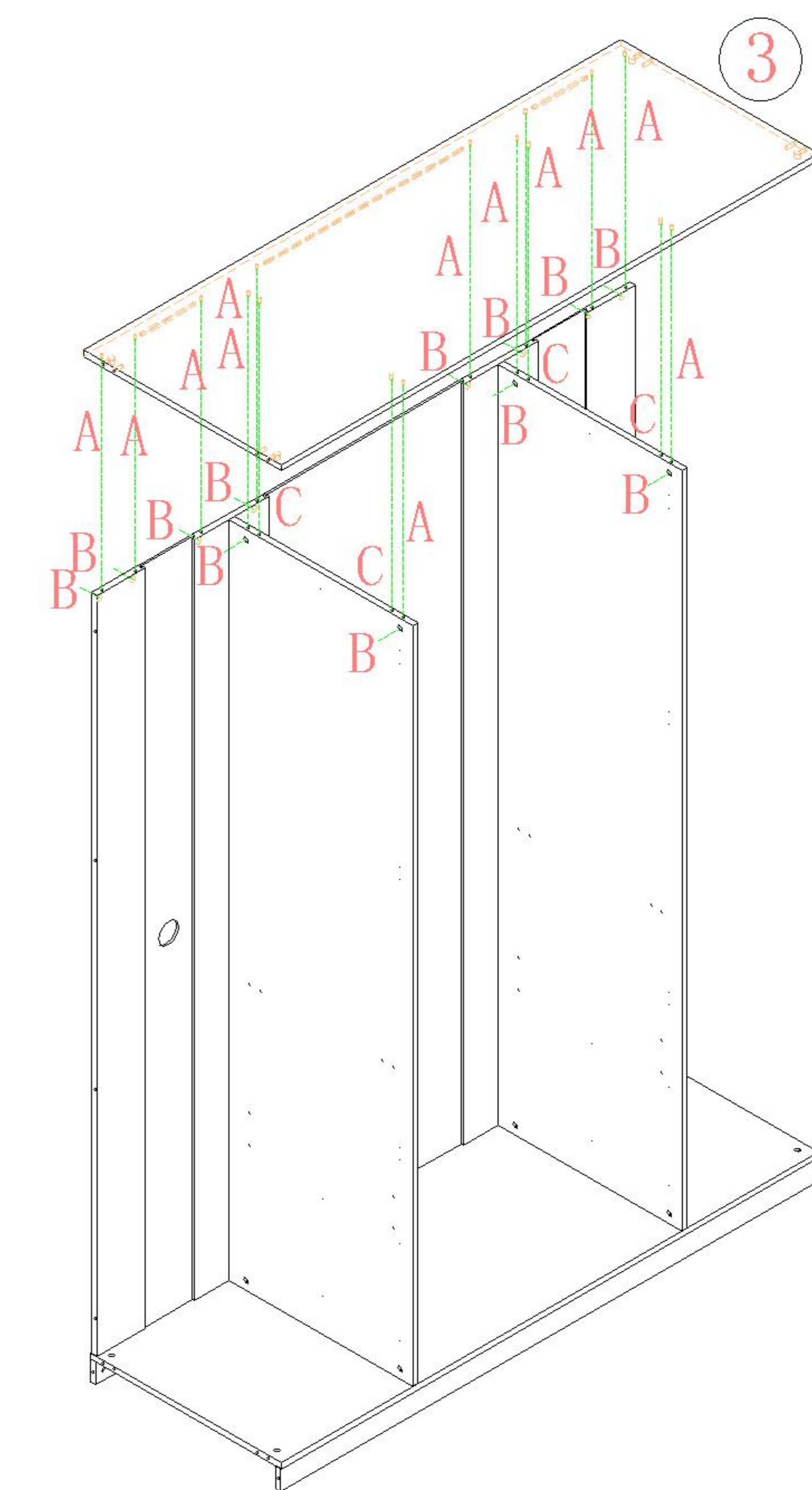
6

- (Q)*4
- (R)*1



7

- (A)*12
- (B)*12
- (C)*4

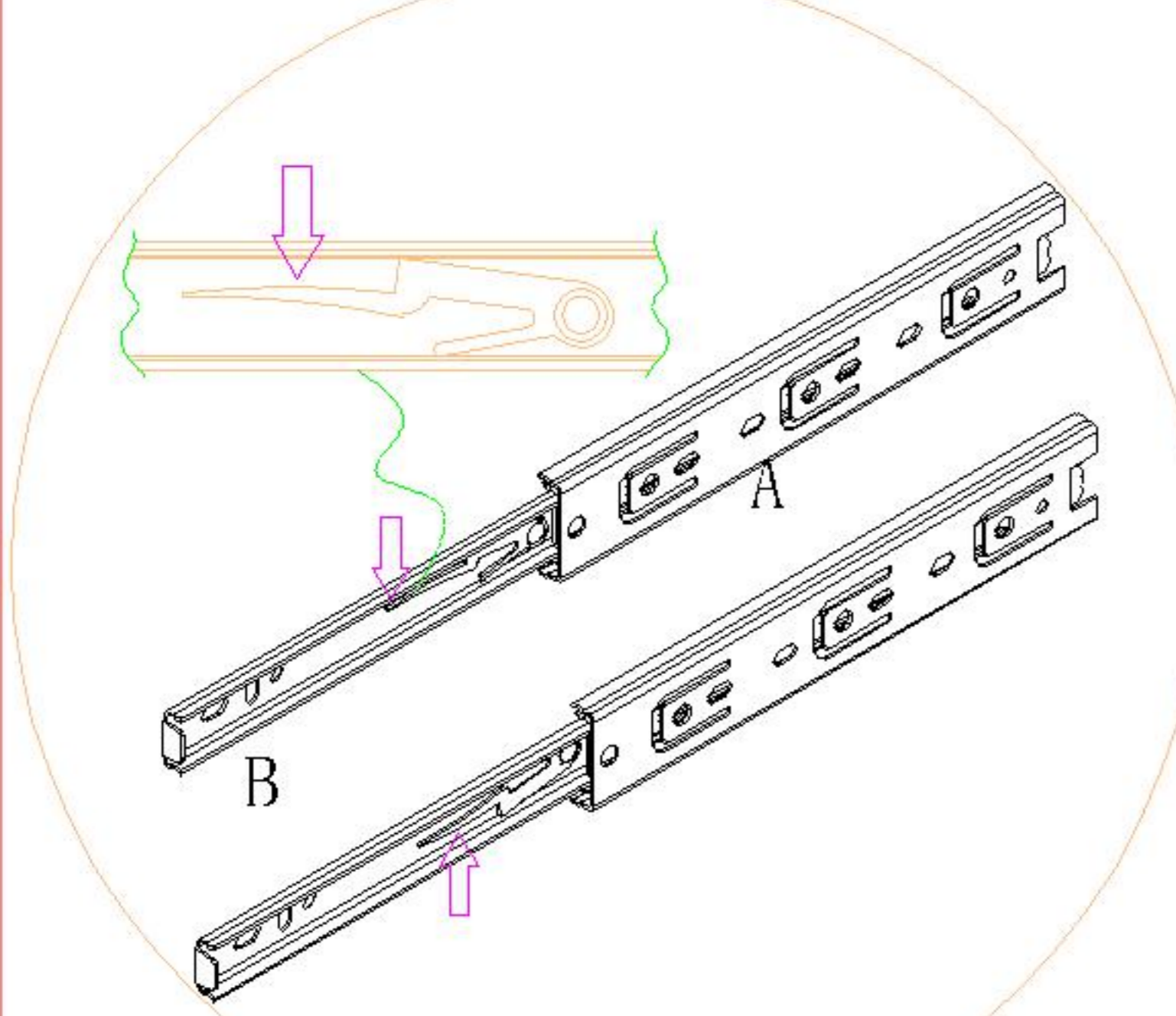


8

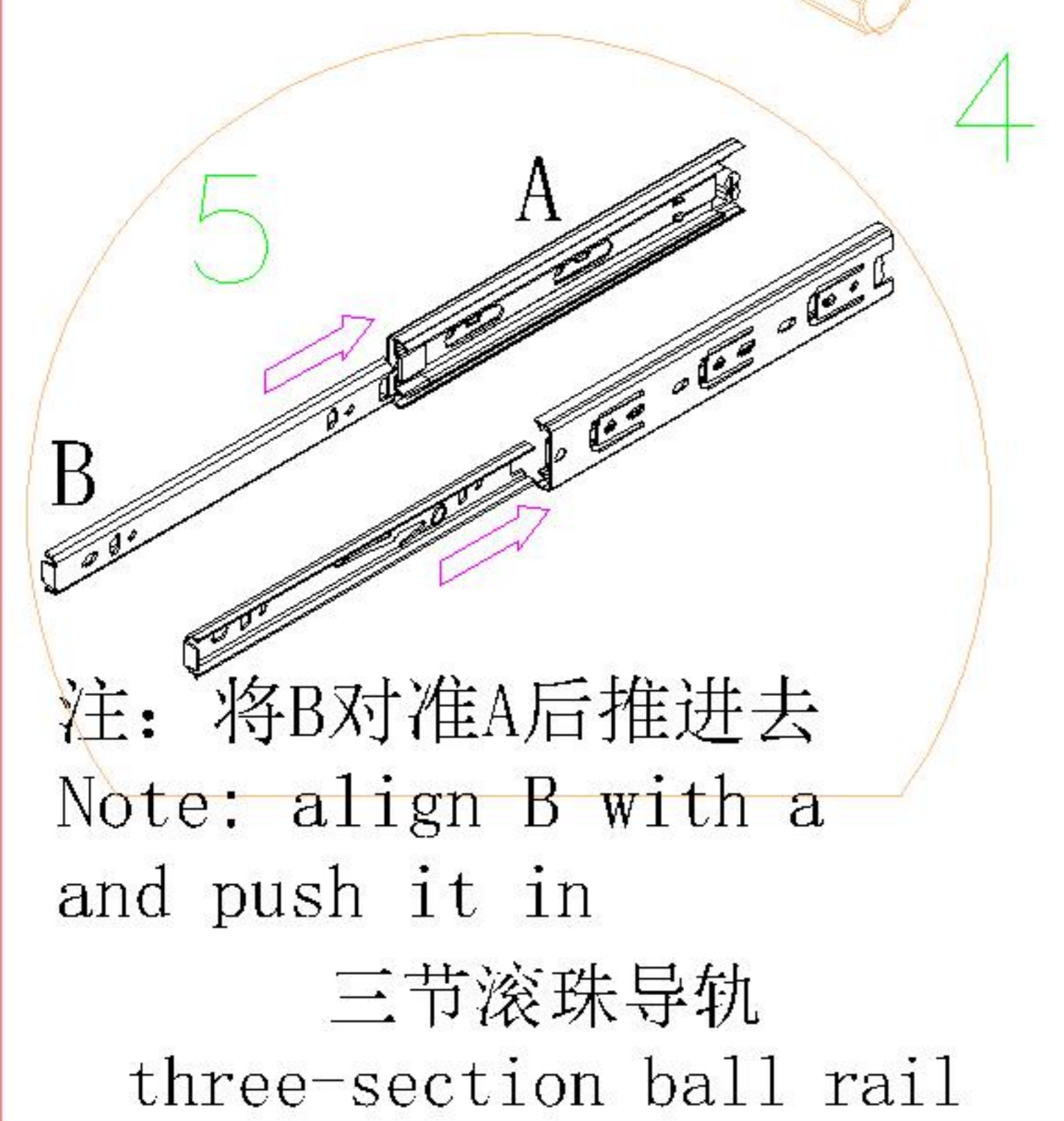
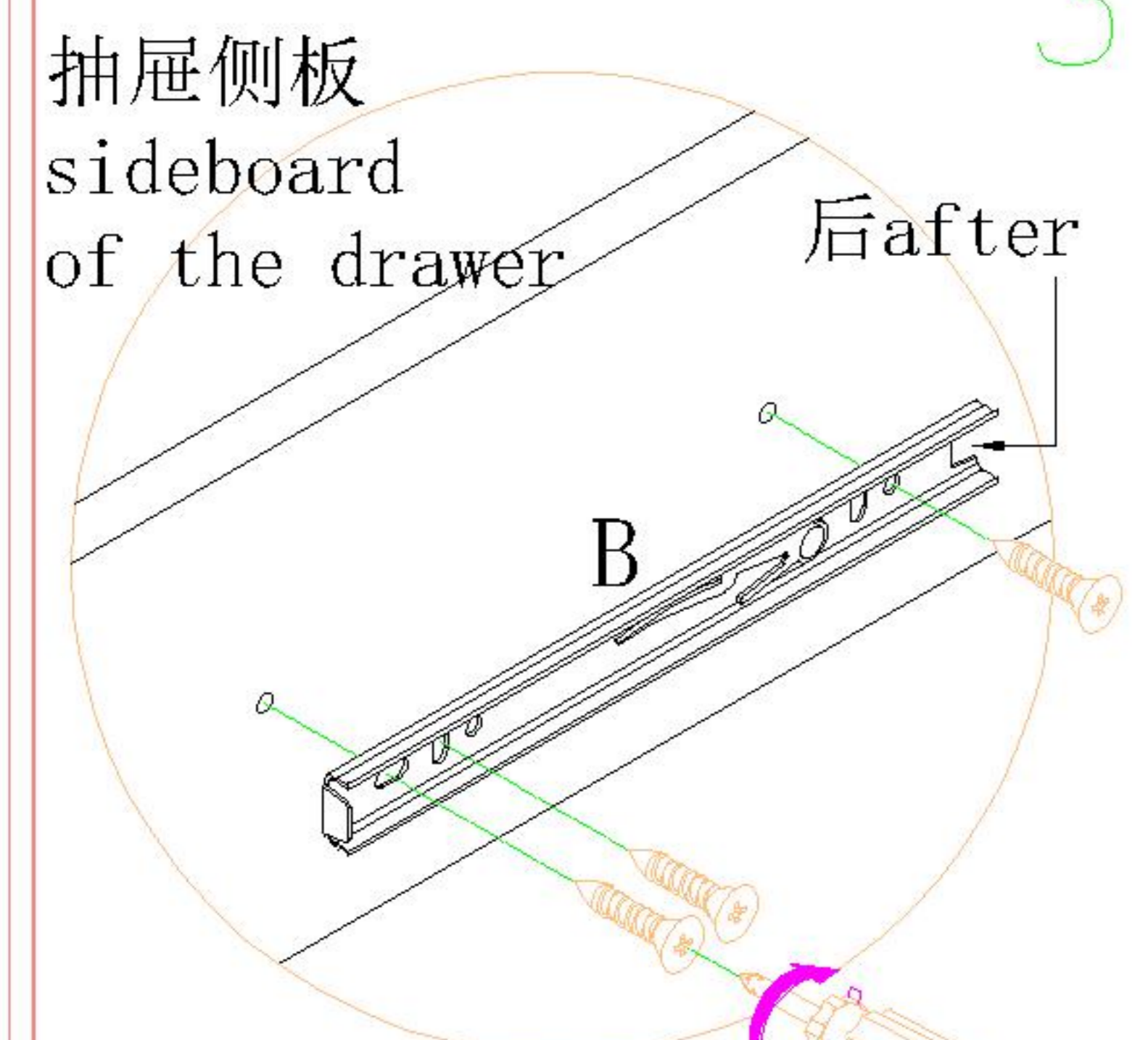
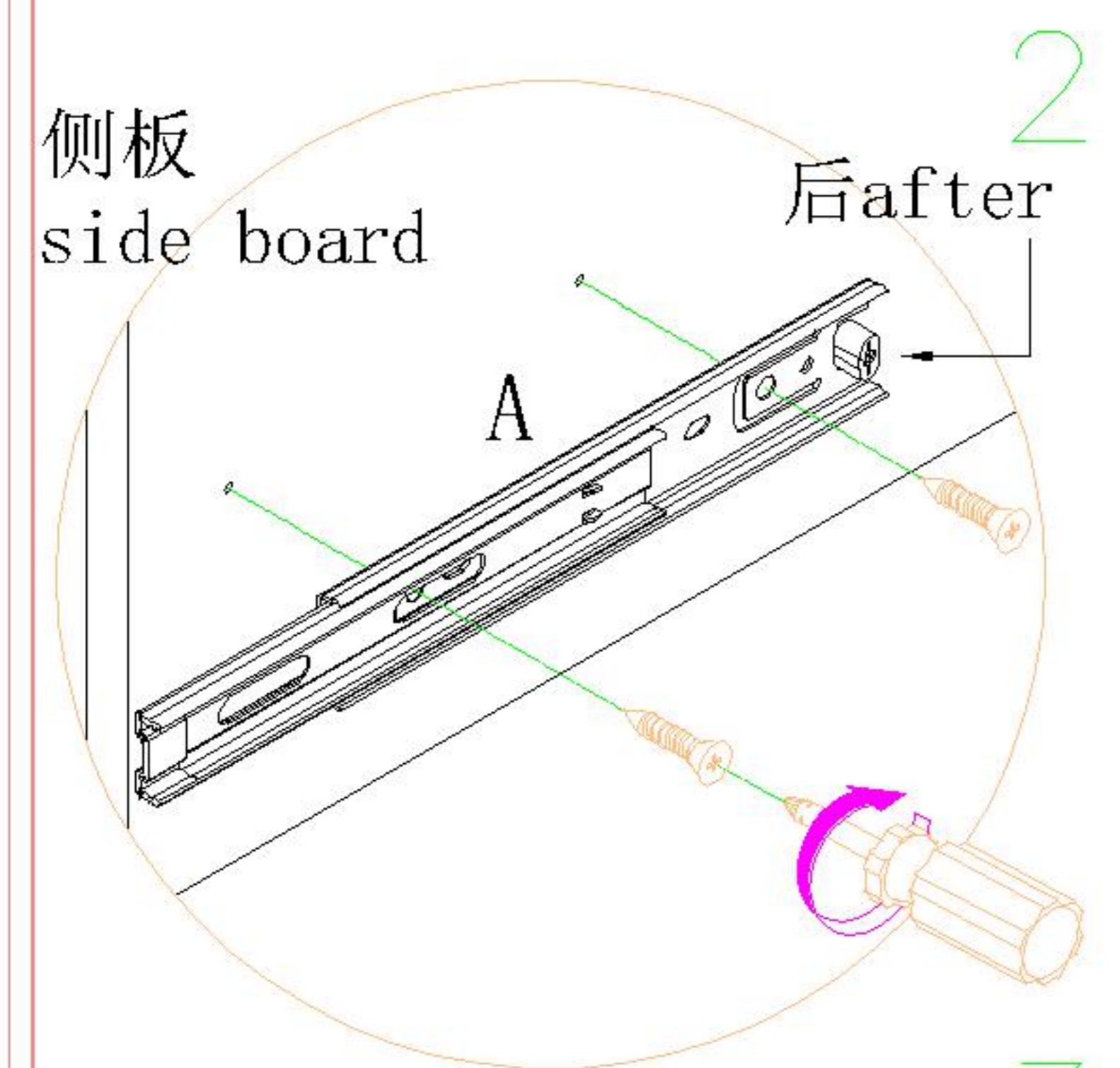
TE10D-A

安装方法/ Installation method

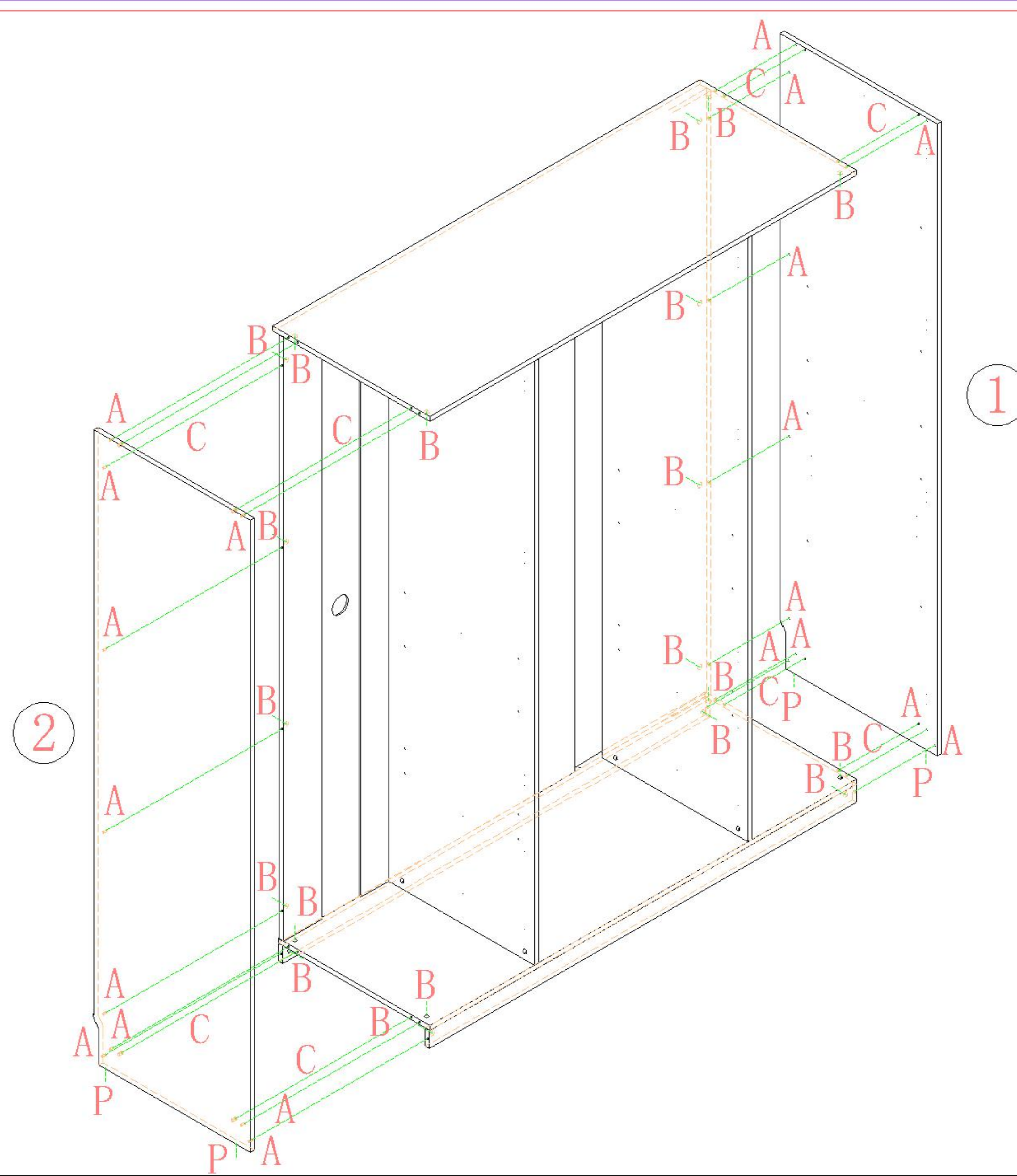
阀门开关(下压为开)
Valve switch
(press down to open)



注: 先将A与B拆下来
Note: remove a and B first

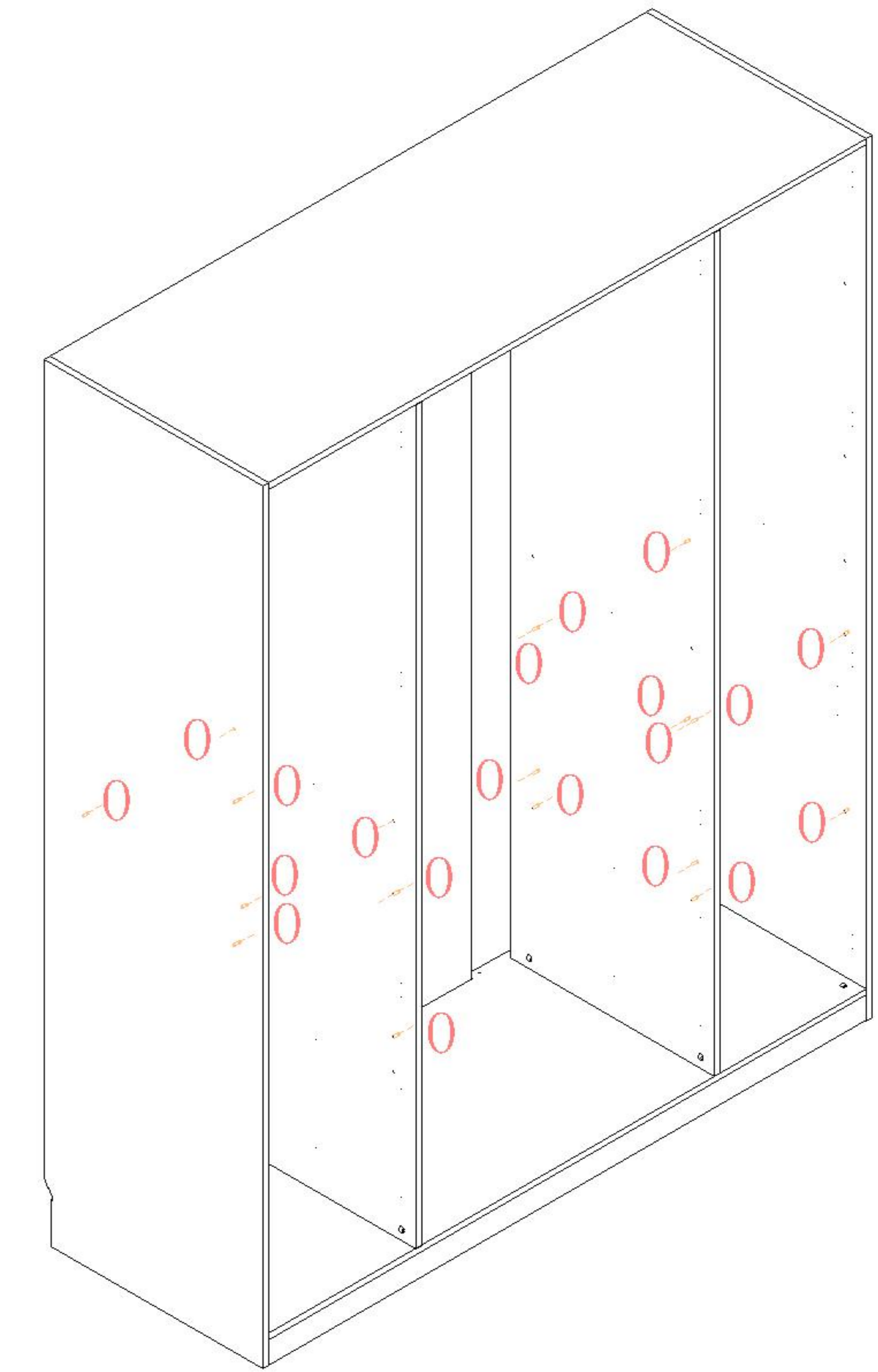


- (A)*20
- (B)*20
- (C)*8
- (P)*4



9

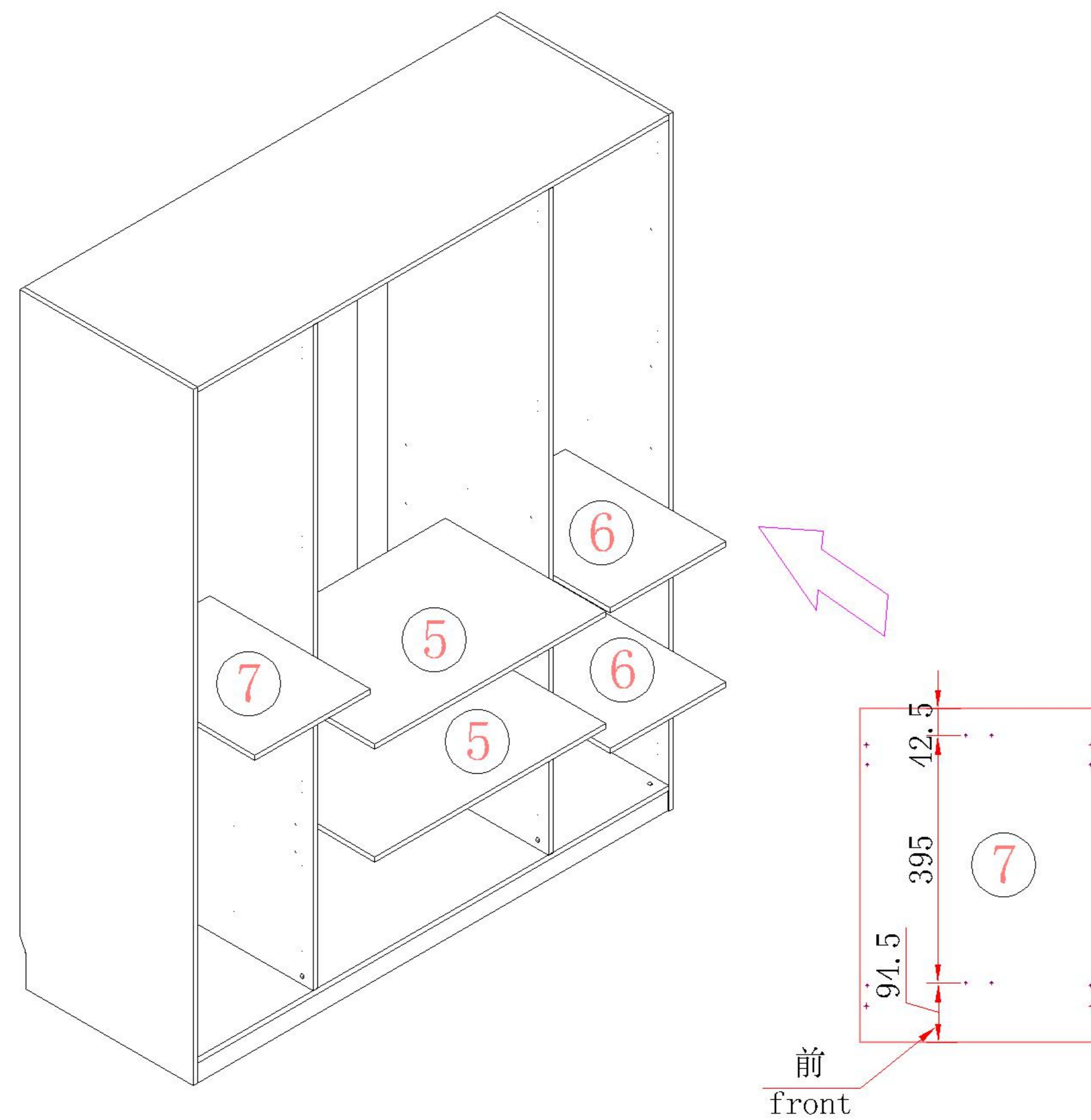
- (O)*20



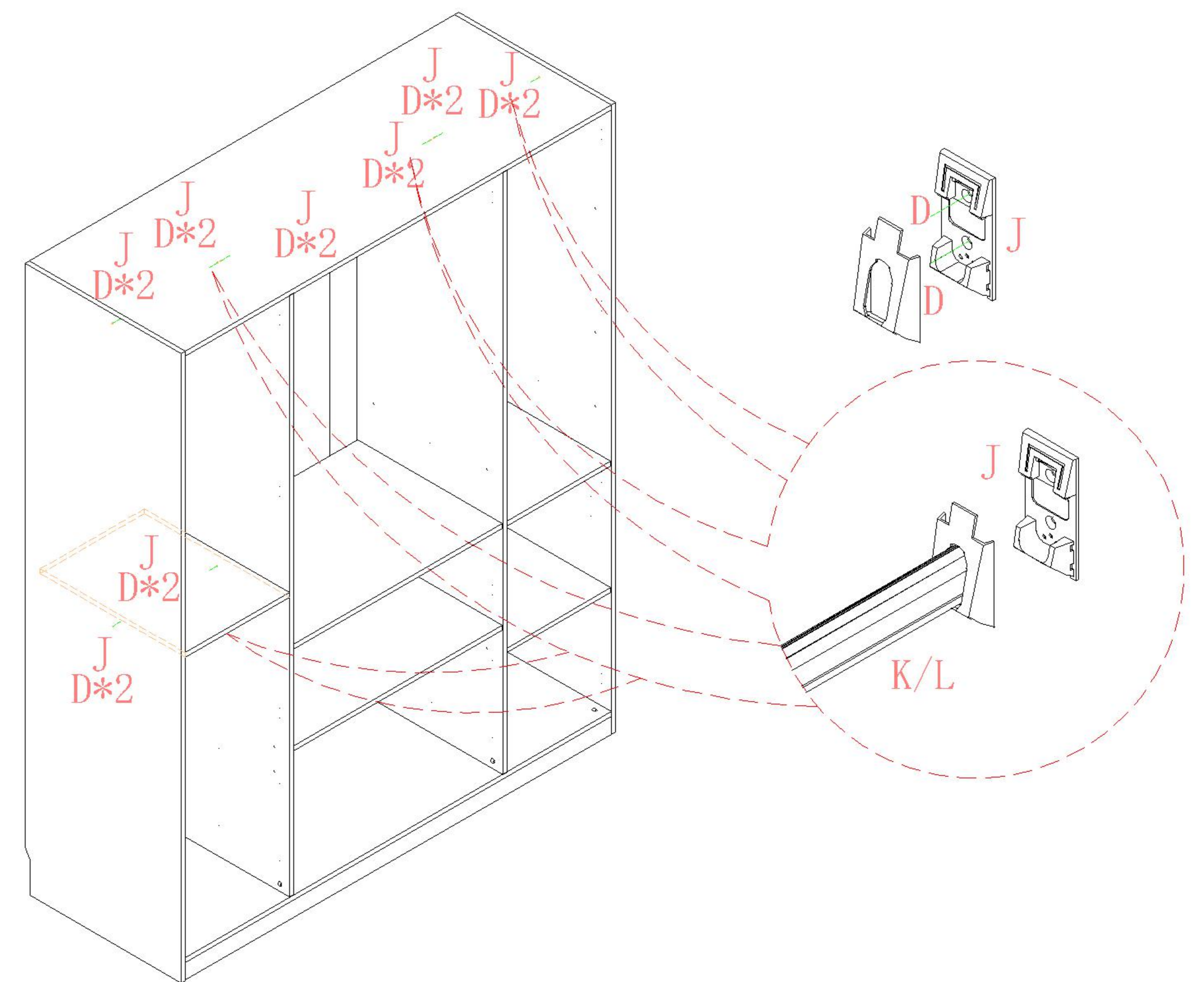
10

11

- (D)*16
- (J)*8
- (K)*1
- (L)*3



12



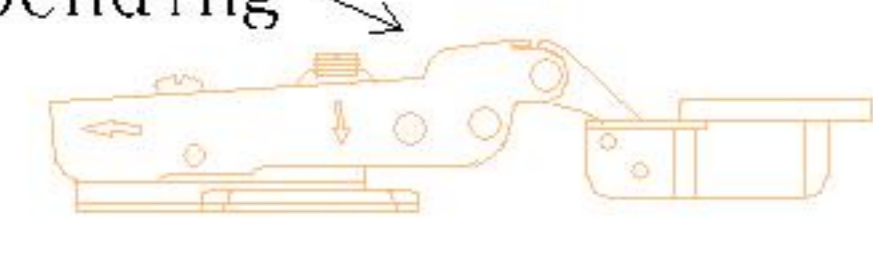
TE10D-A

安装方法/
Installation method

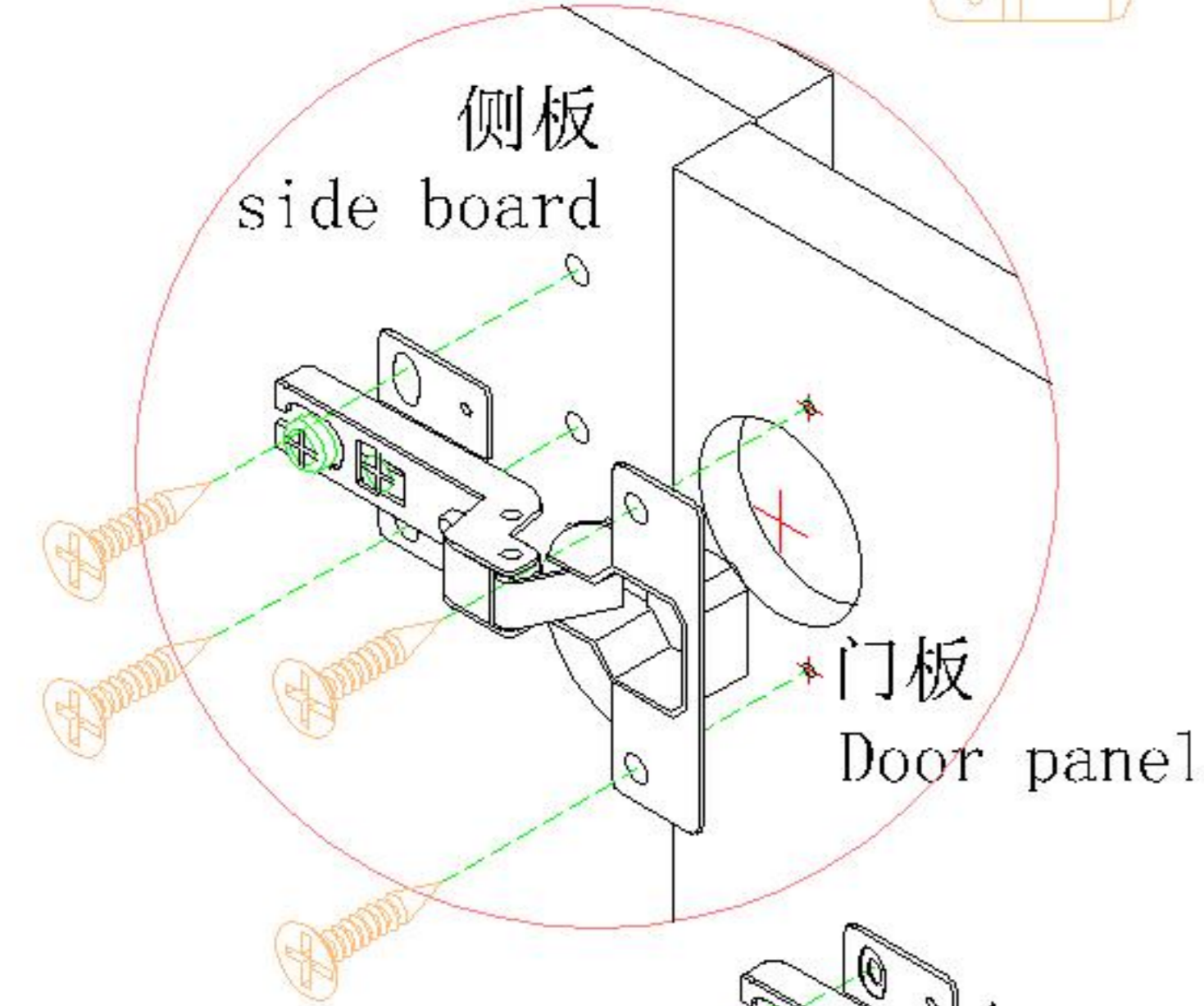
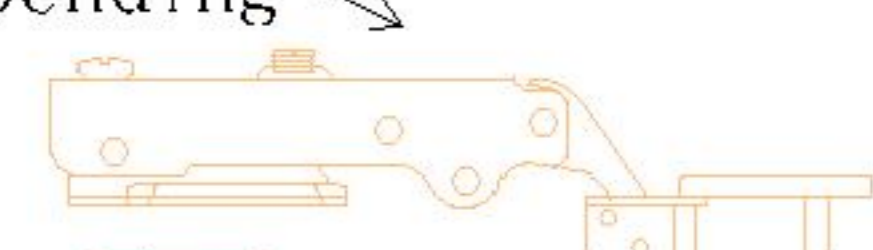
大弯big bend



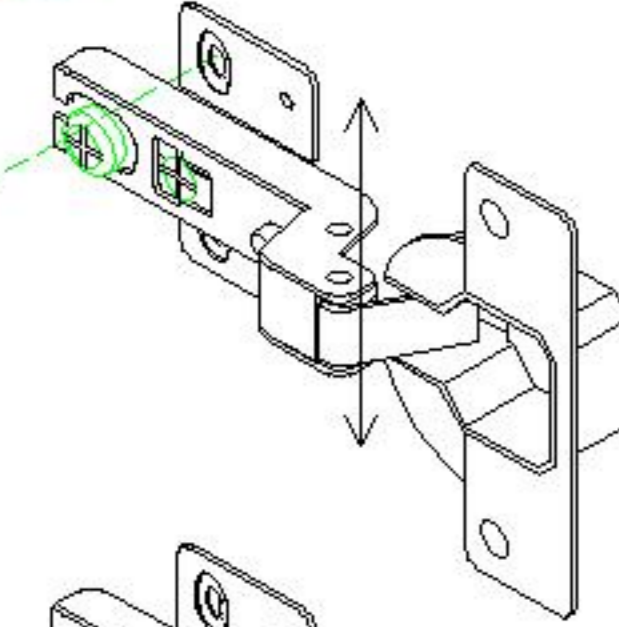
中弯middle bending



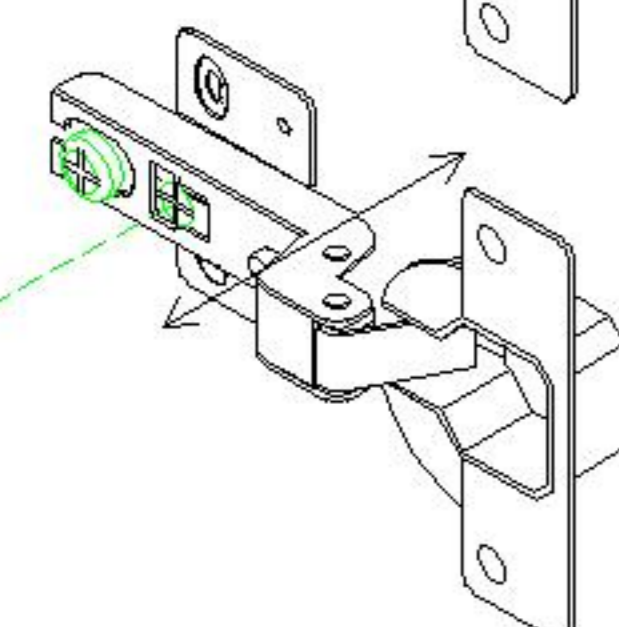
直弯straight bending



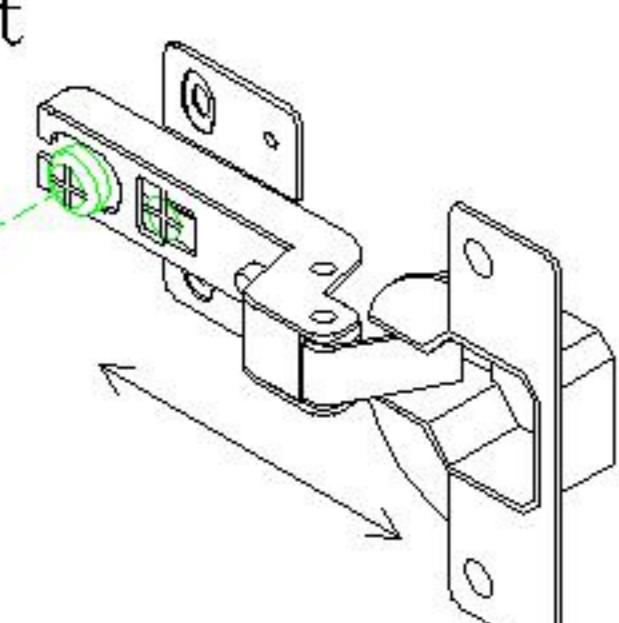
调节上下
Adjust up and down



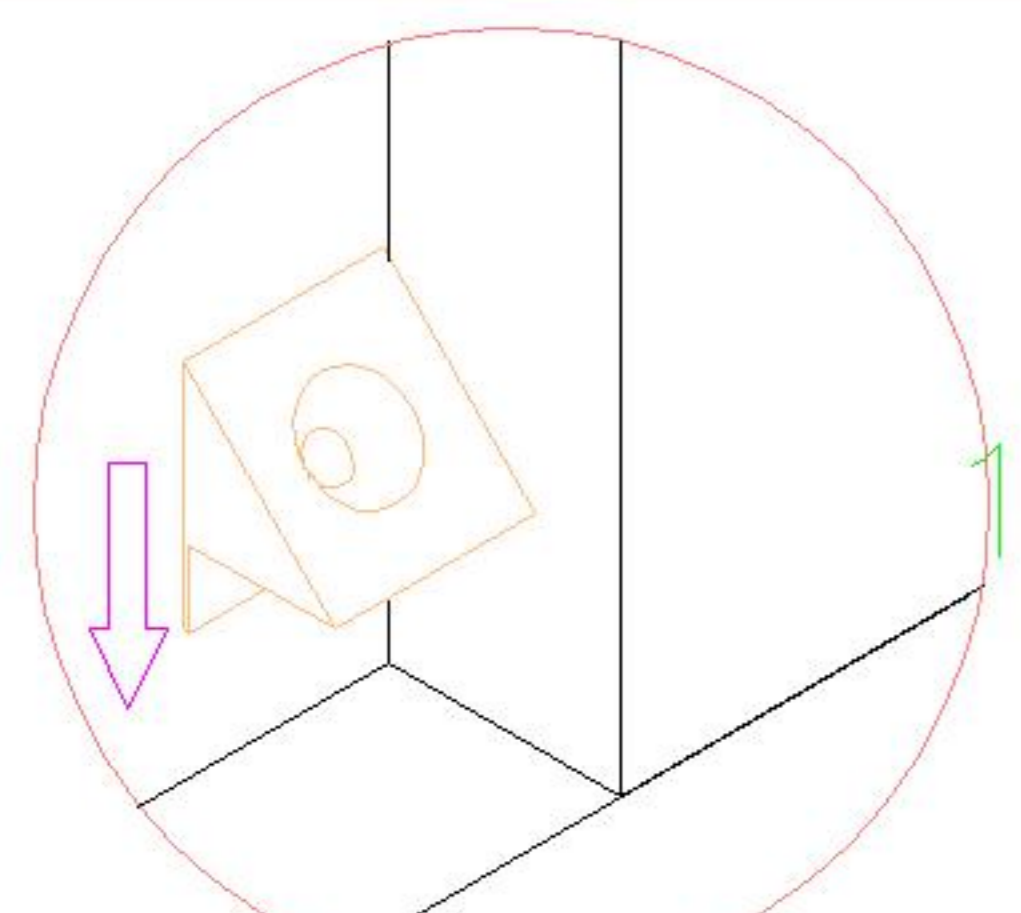
调节左右
Adjust left and right



调节前后
Before and after adjustment



门铰
Hinge



背板扣
Back Plate Buckle-White

(D)*12



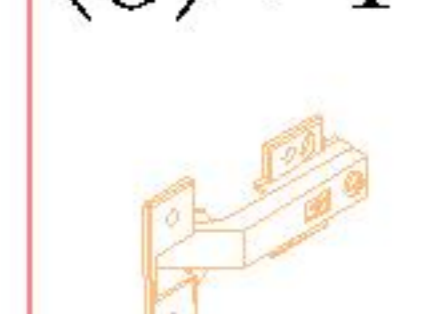
(M)*2



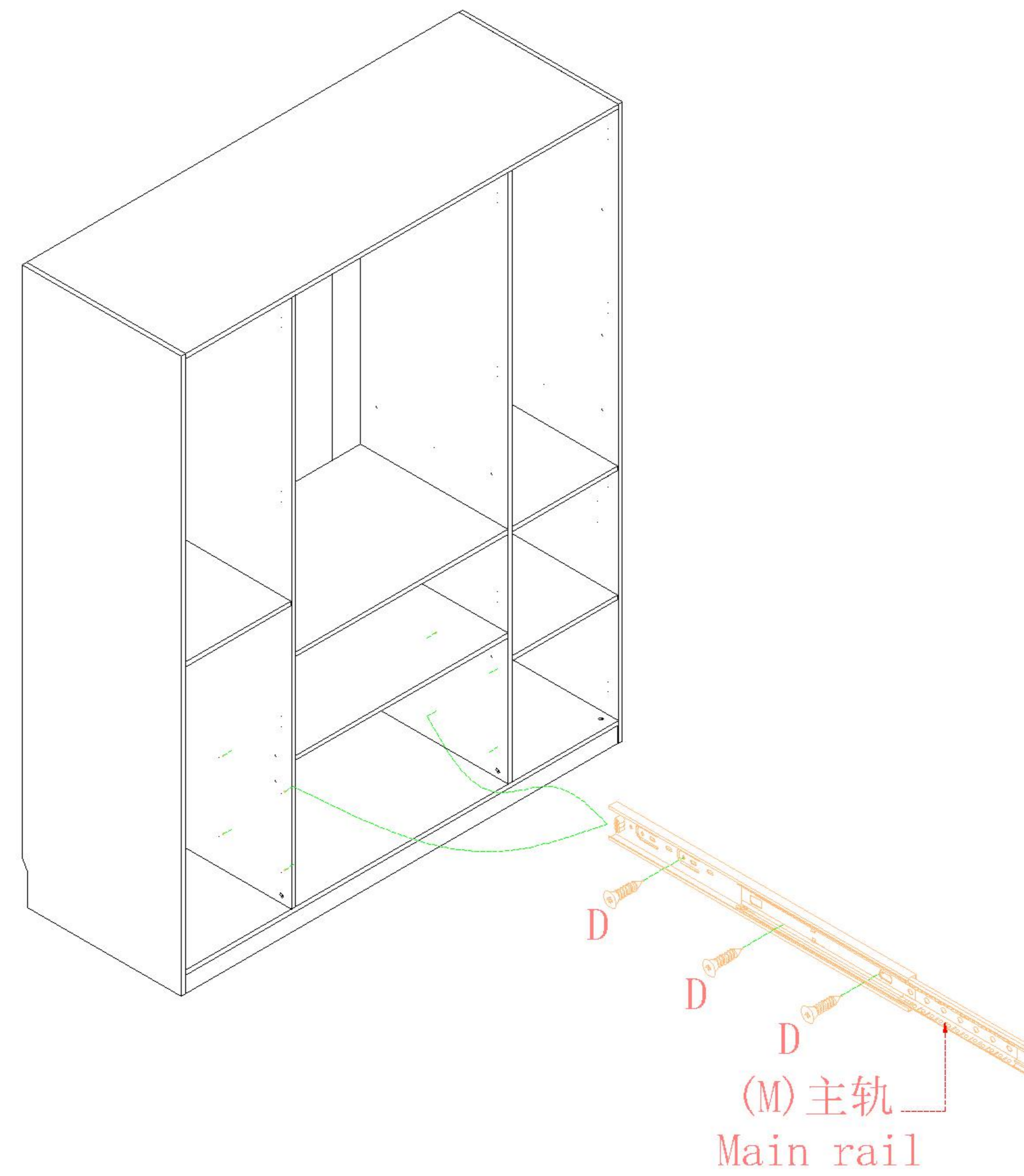
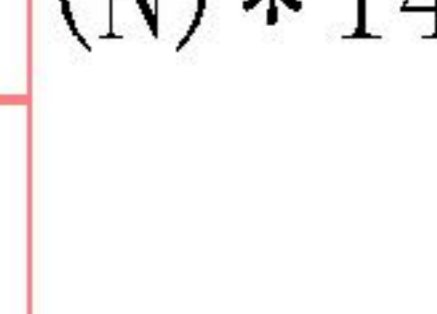
(H)*4



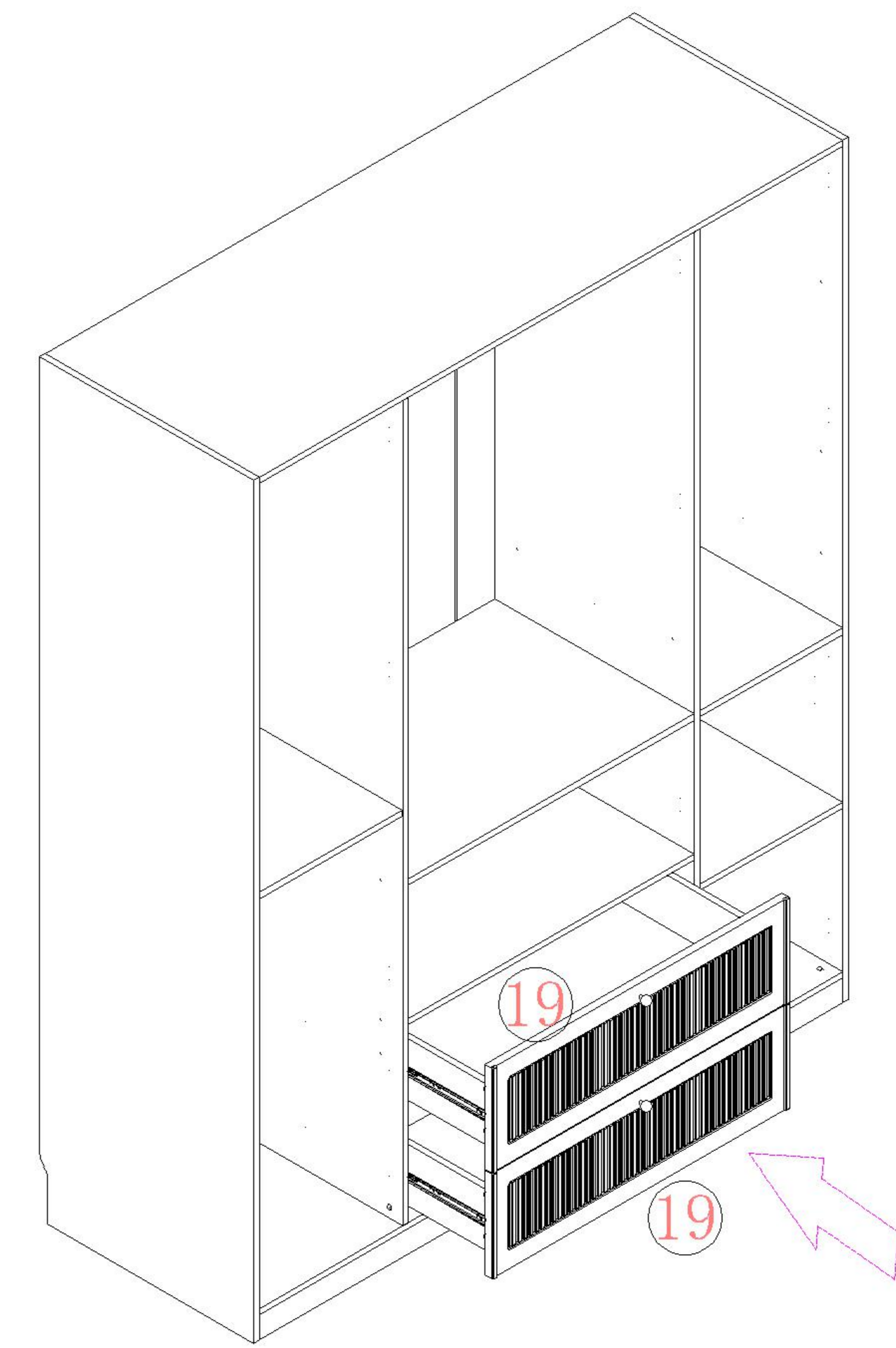
(G)*4



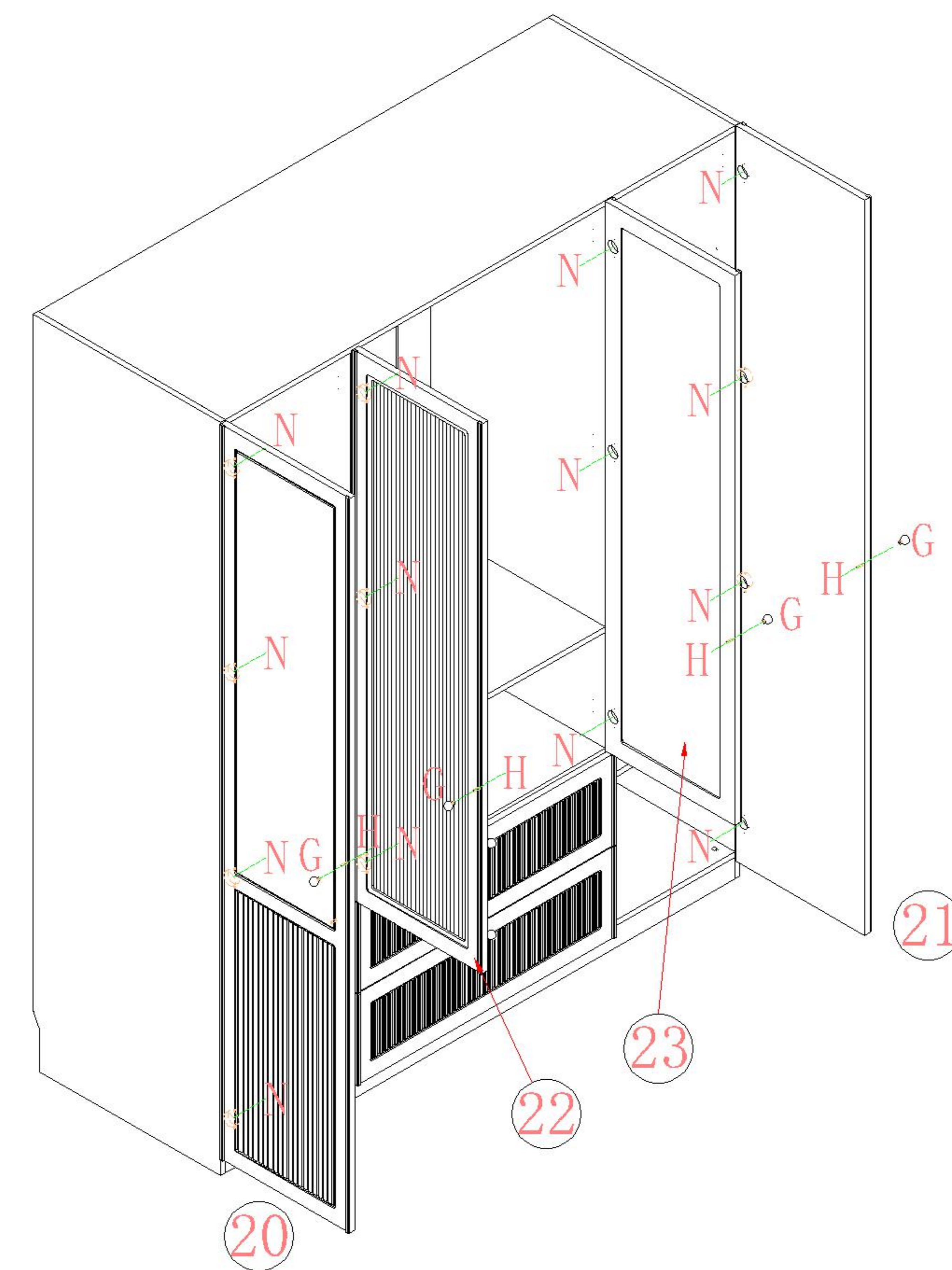
(N)*14



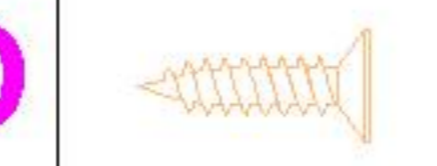
13



14



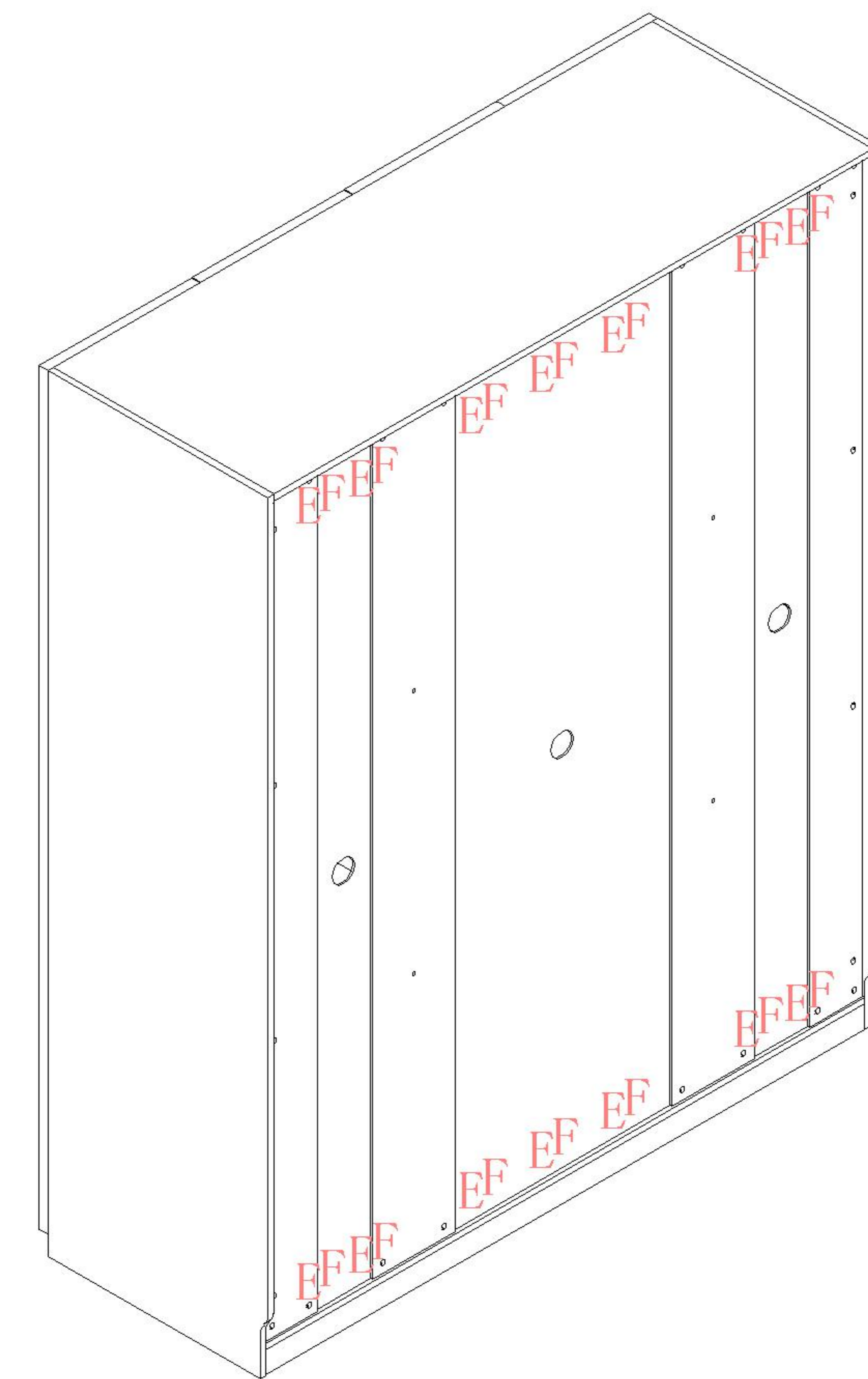
15



(E)*14



(F)*14



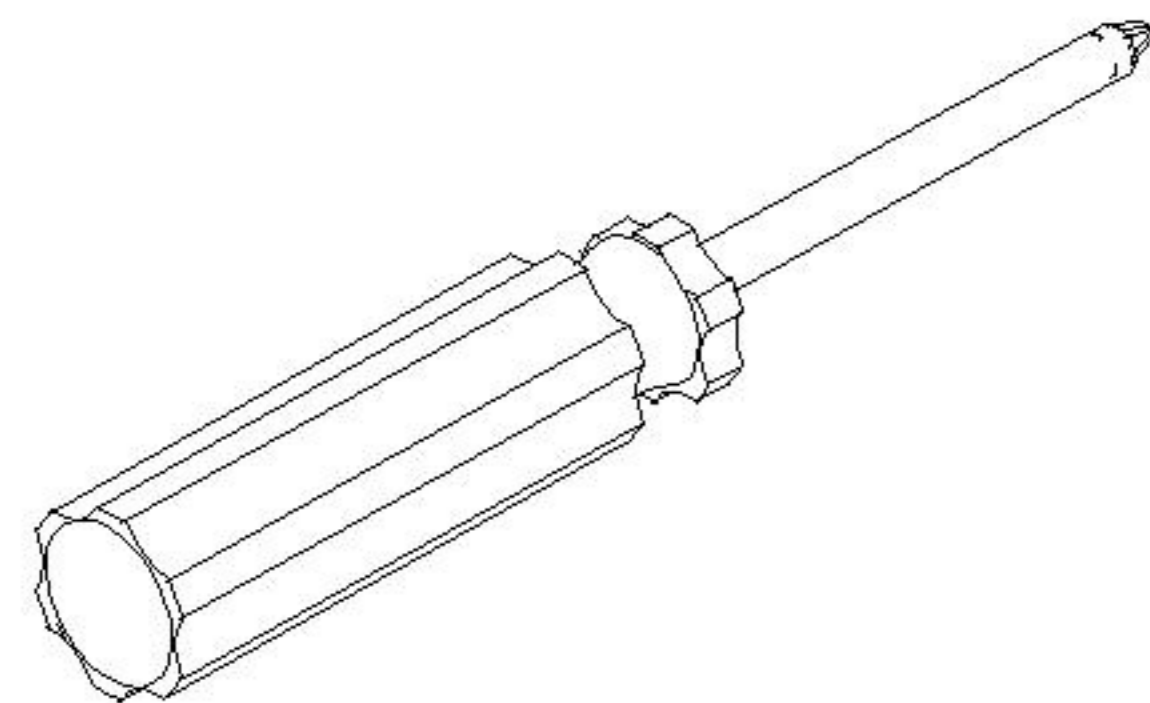
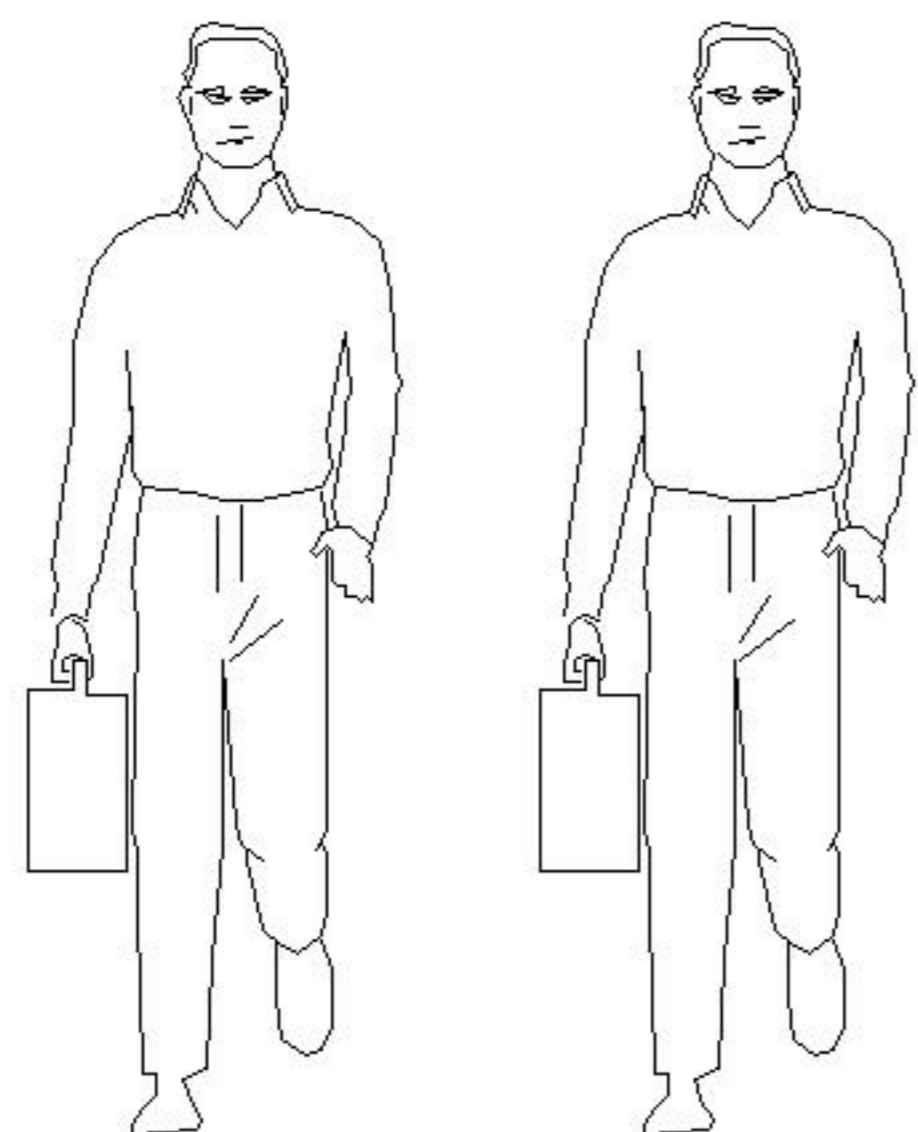
16

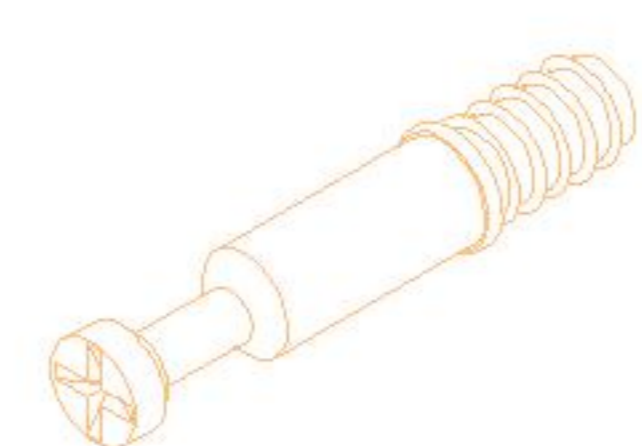
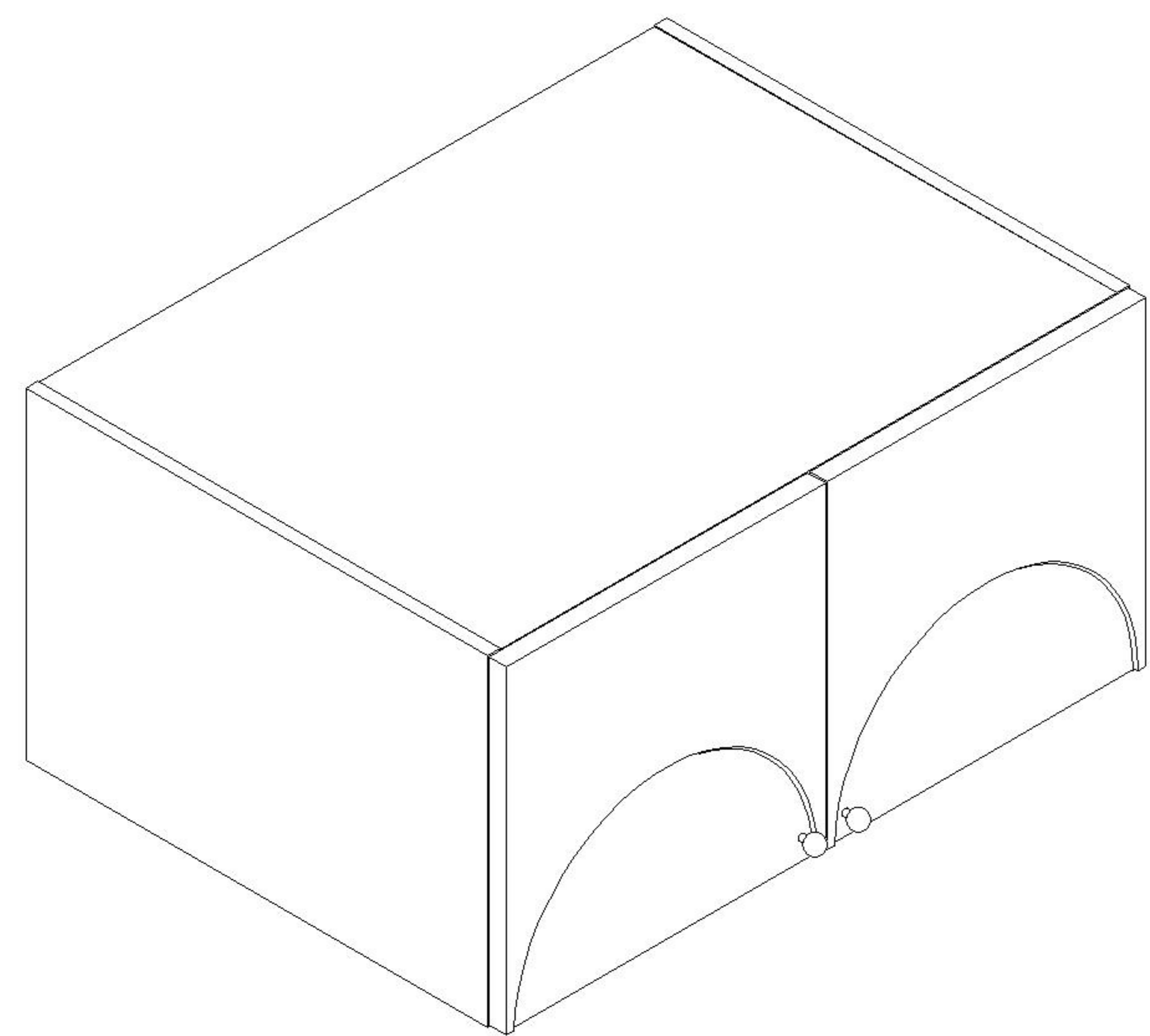
LINSY 林氏家居

五金表/Hardware list

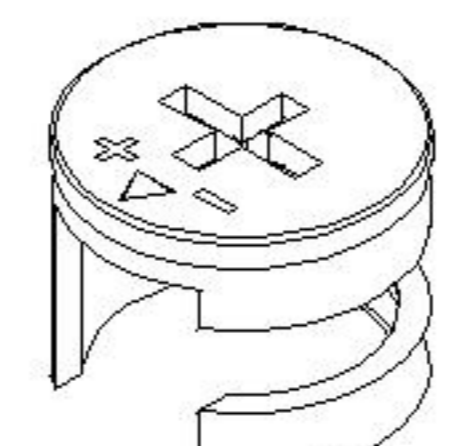
部件表/Parts List

安装示意图/Assembly Instruction

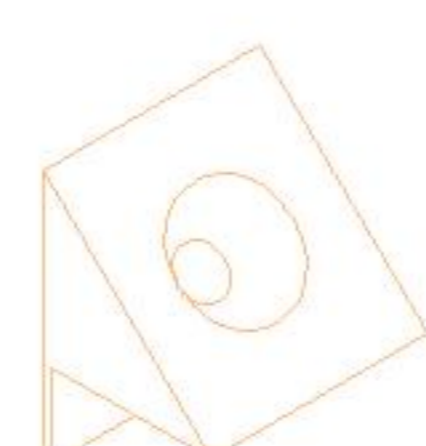
产品名称 Model NO.	TE12D-A
产品规格 Specification	796*620.5*400mm
安装工具 Tool	安装人数 Installer
	



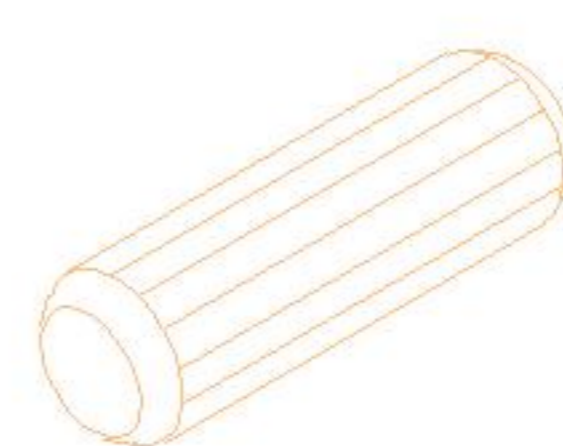
(A)* 8
二合一螺杆
2-in-1-screw



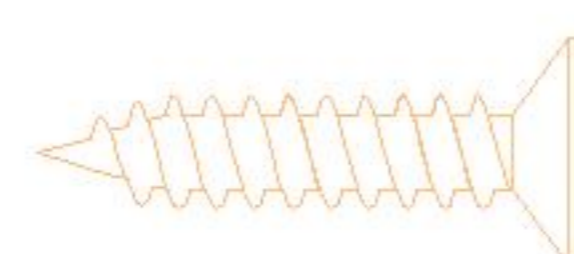
(B)* 8
大三合一锁饼
Three-in-one large lock



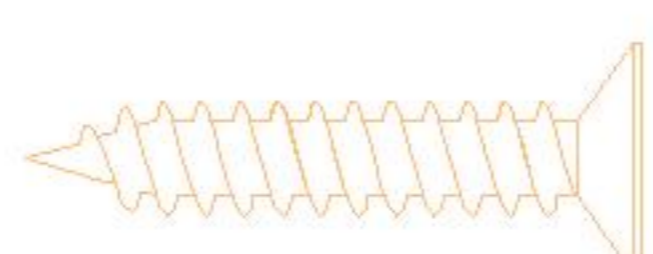
(C)* 4
背板扣
Back Plate Buckle-White



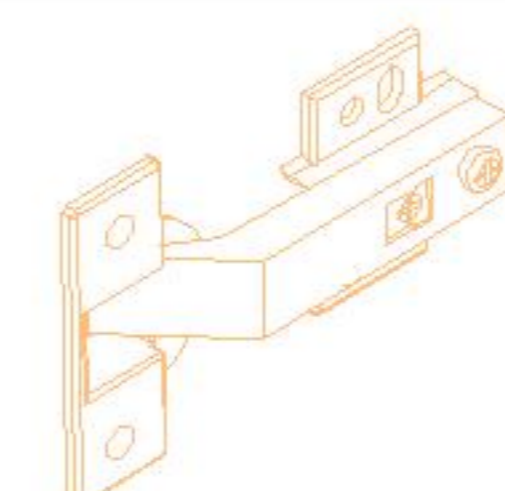
(D)* 8
木榫Ø8x30mm
wood tenon



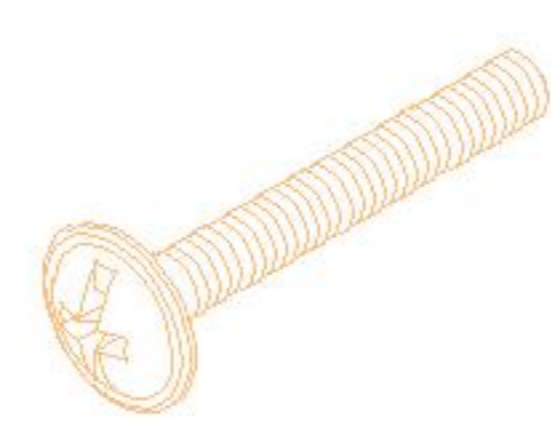
(E)* 4
自攻螺丝M3.5x16mm
Self-tapping screw



(F)* 4
自攻螺丝M4x25mm
Self-tapping screw



(G)* 4
缓冲门铰直弯-杯径Ø35
Hinge-straight bending-diameter 35



(H)* 2
拉手螺丝-M1x22mm
pulling screw

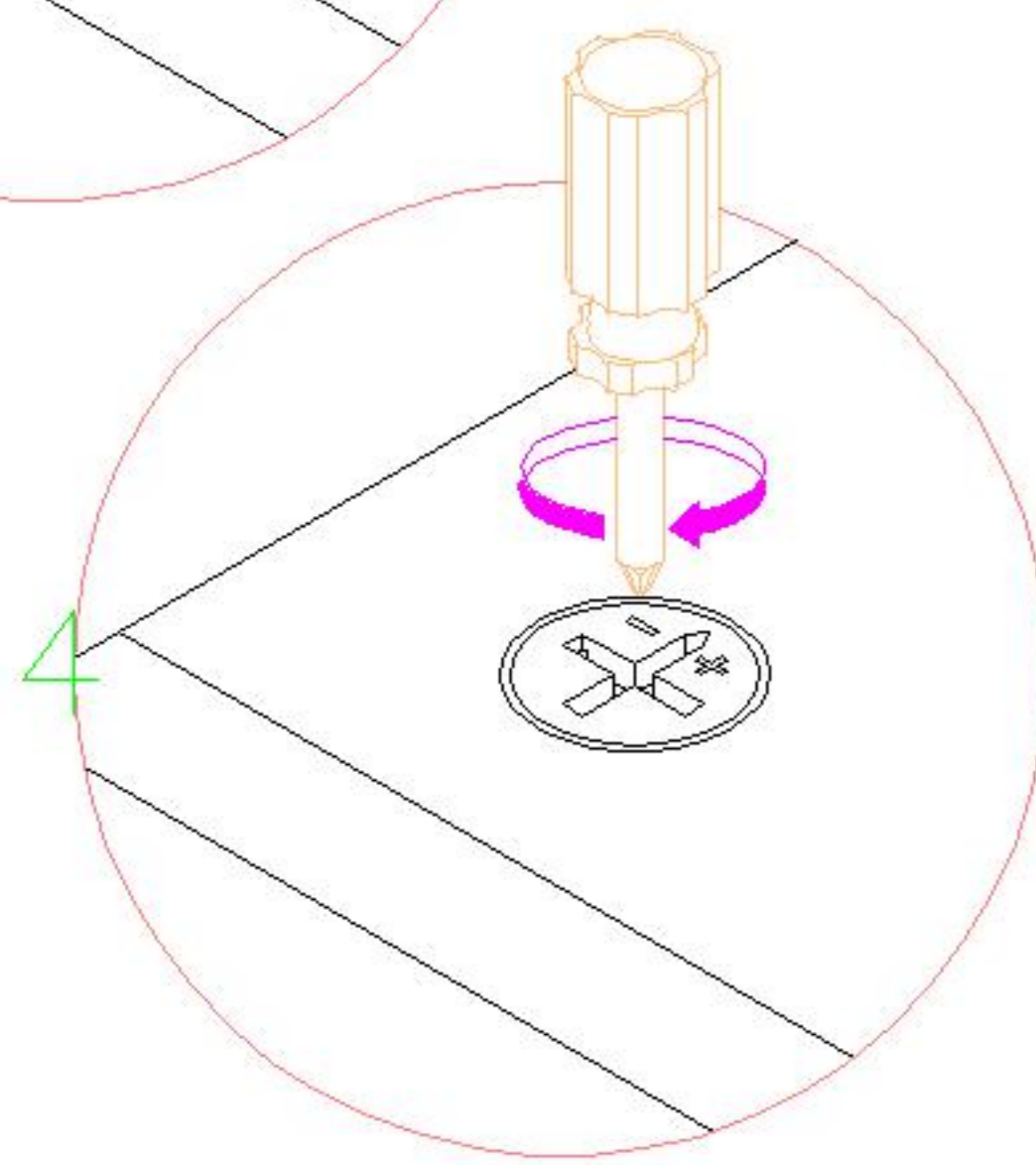
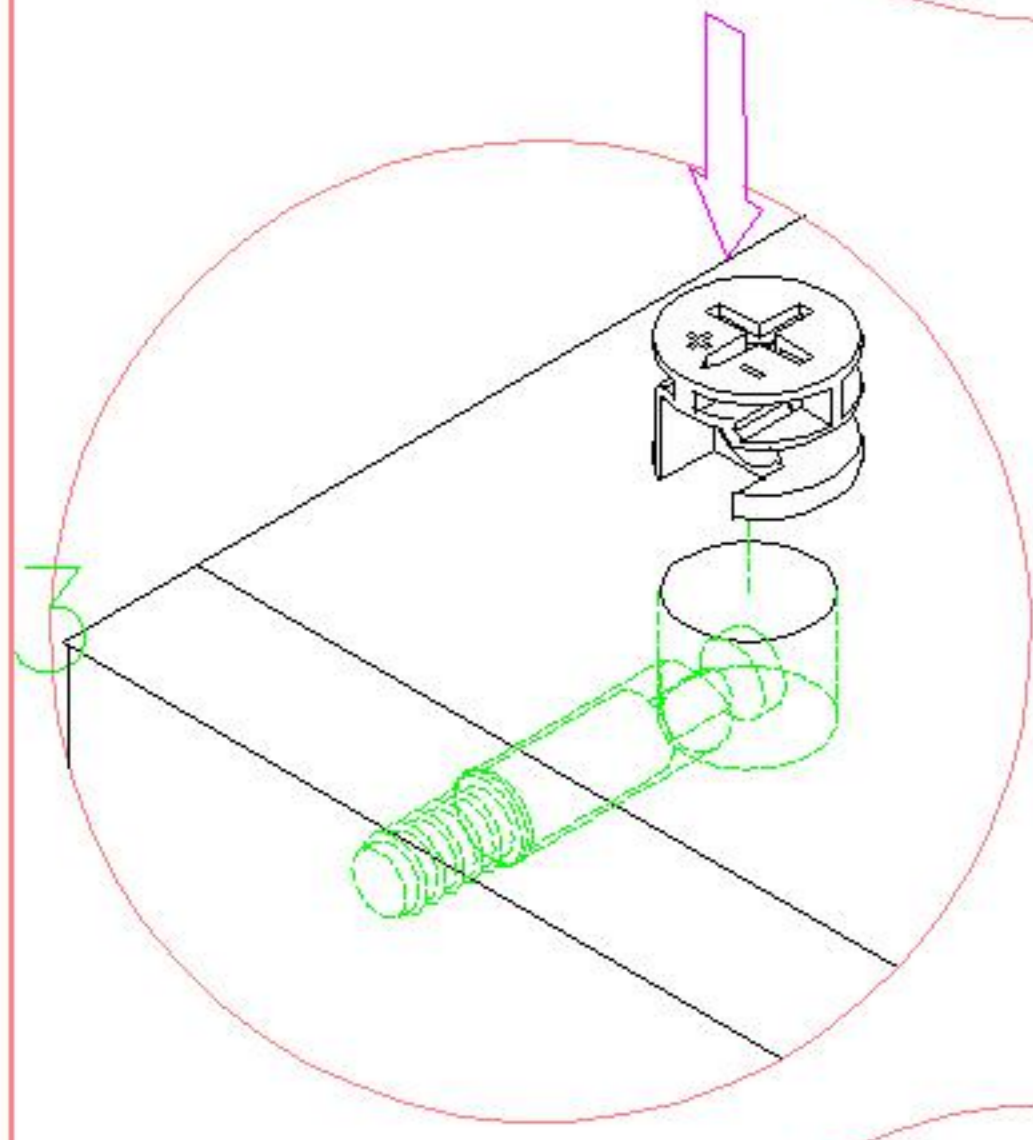
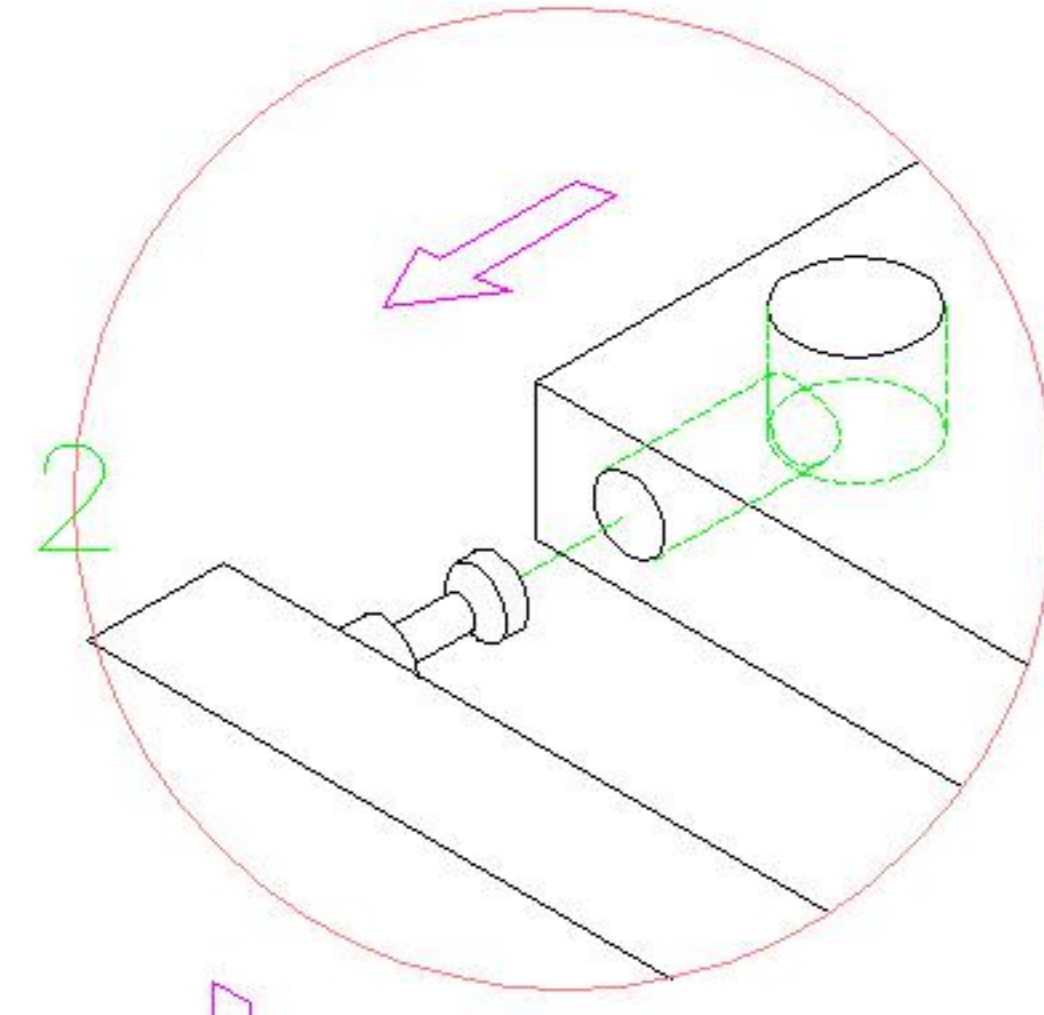
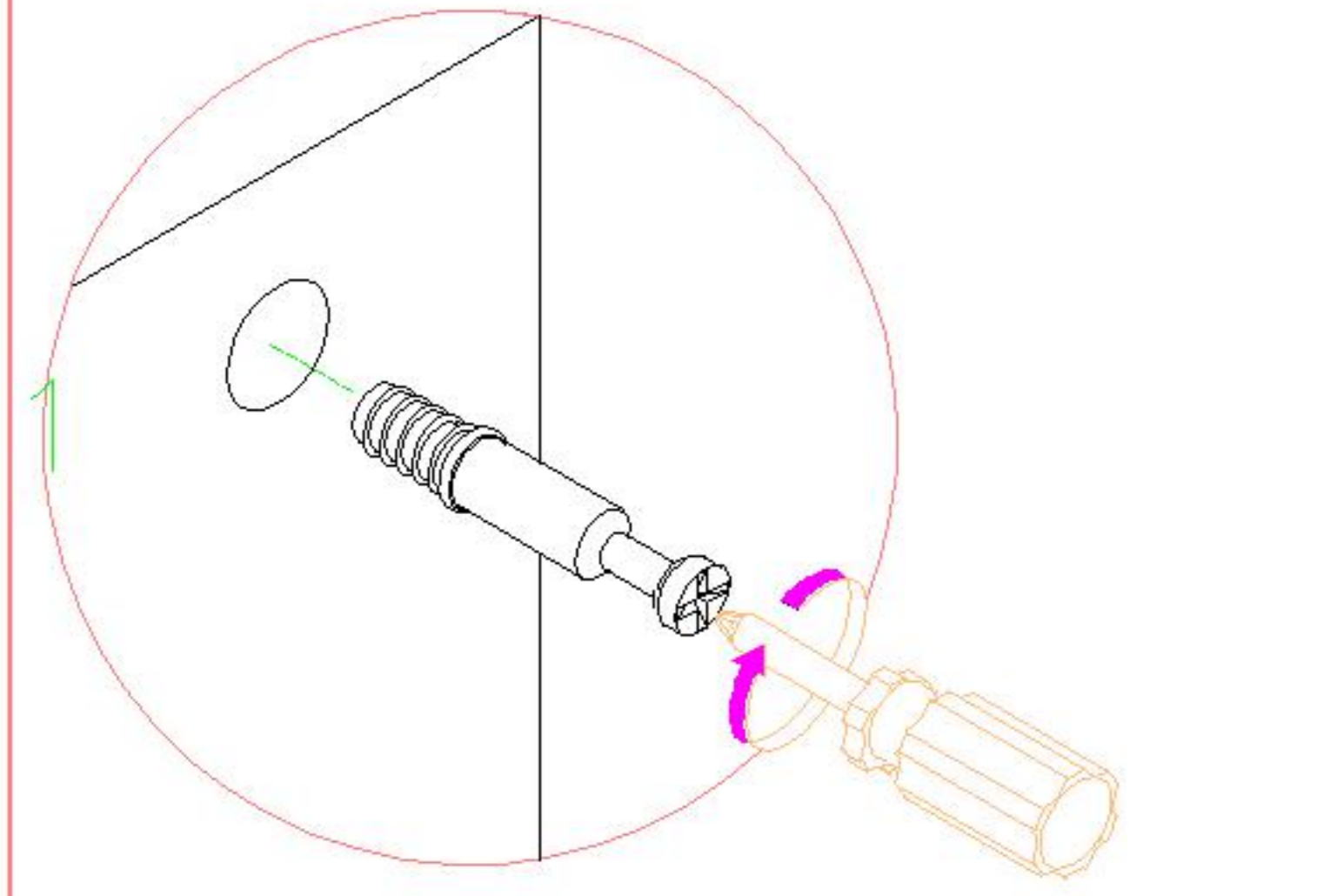


(I)* 2
拉手
Handle

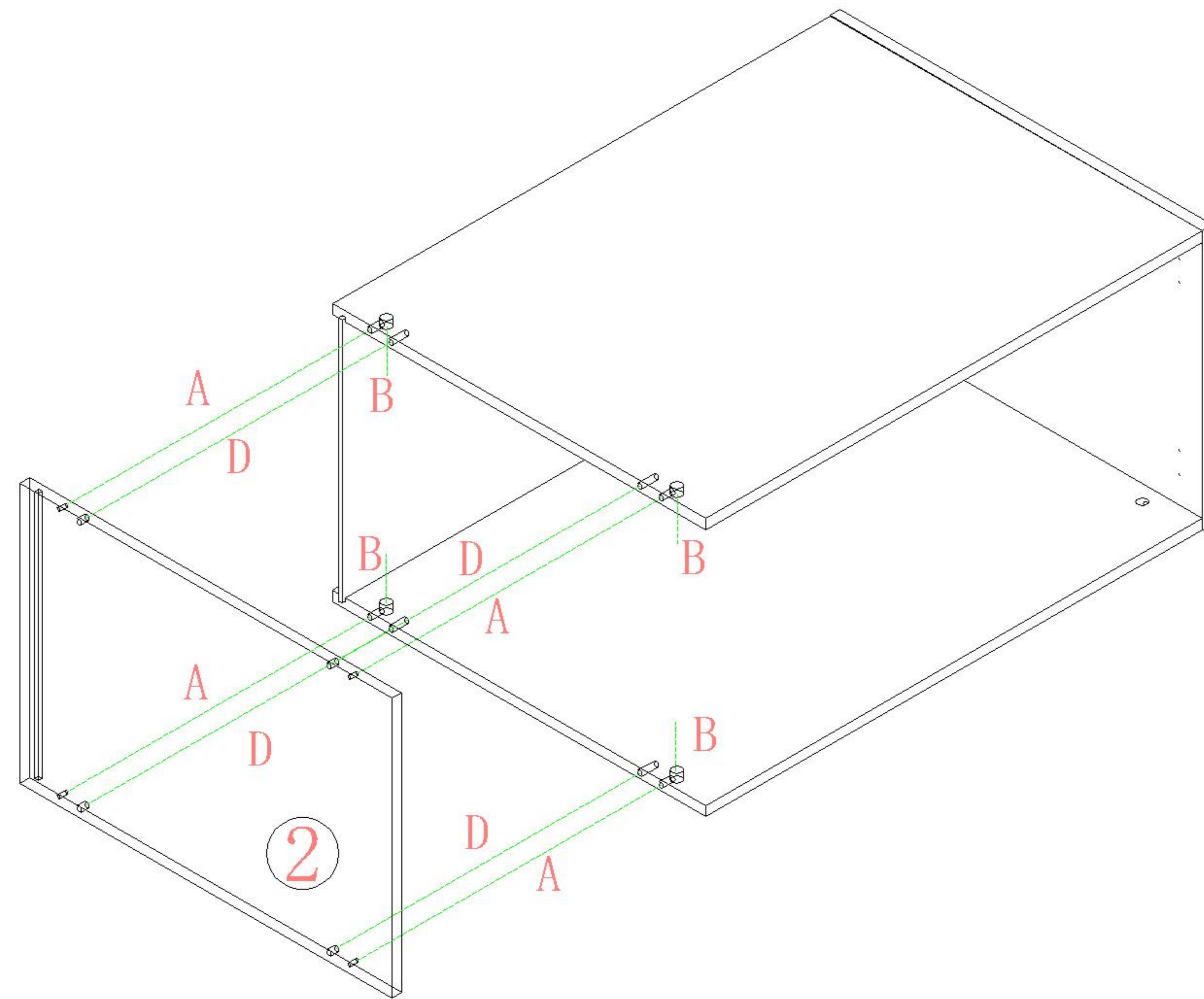
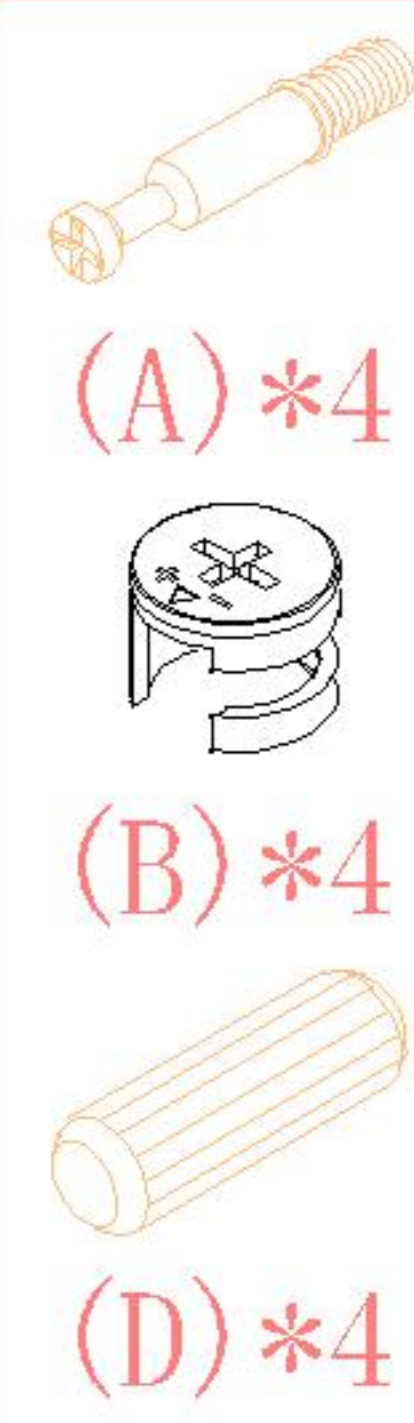
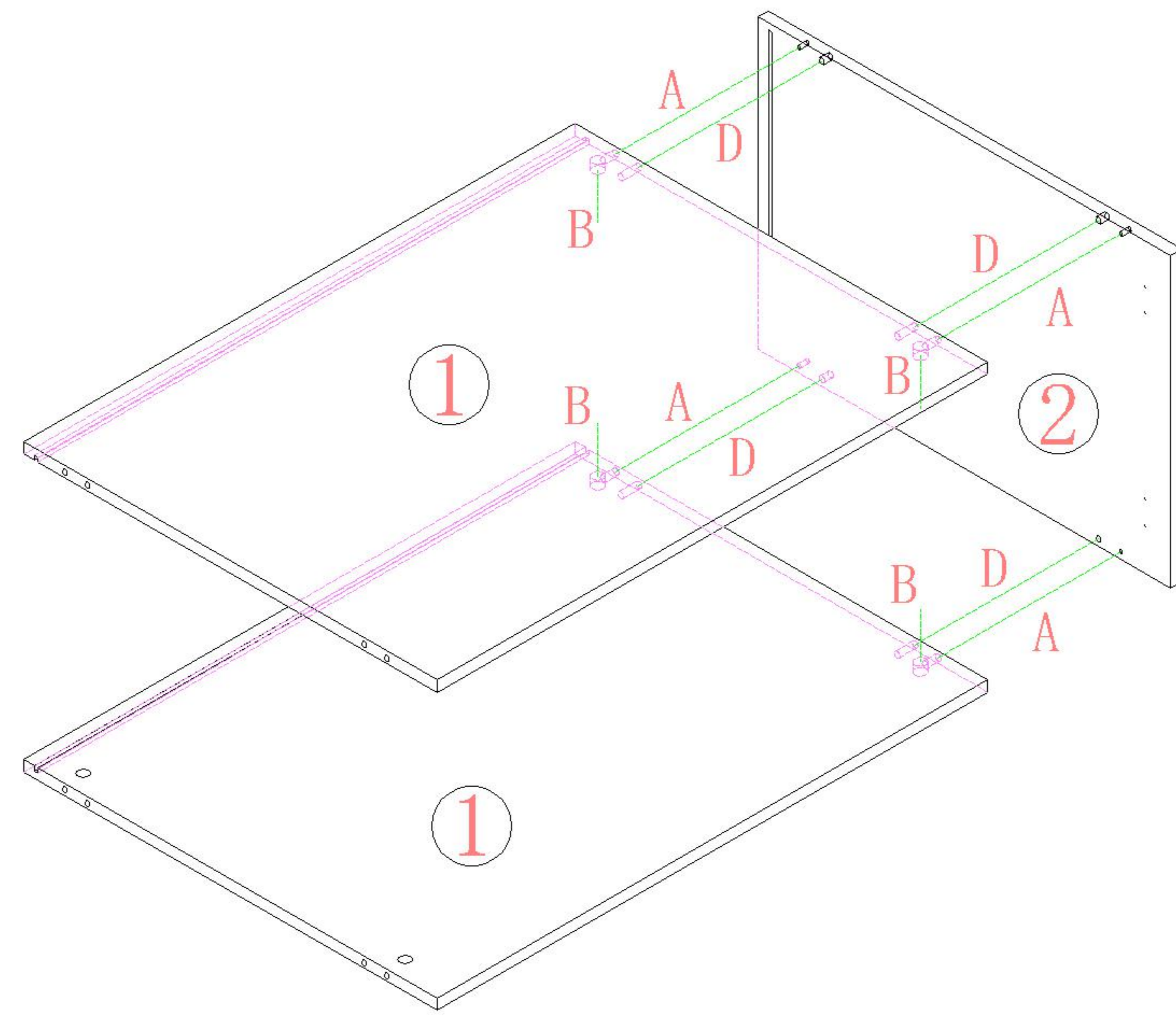
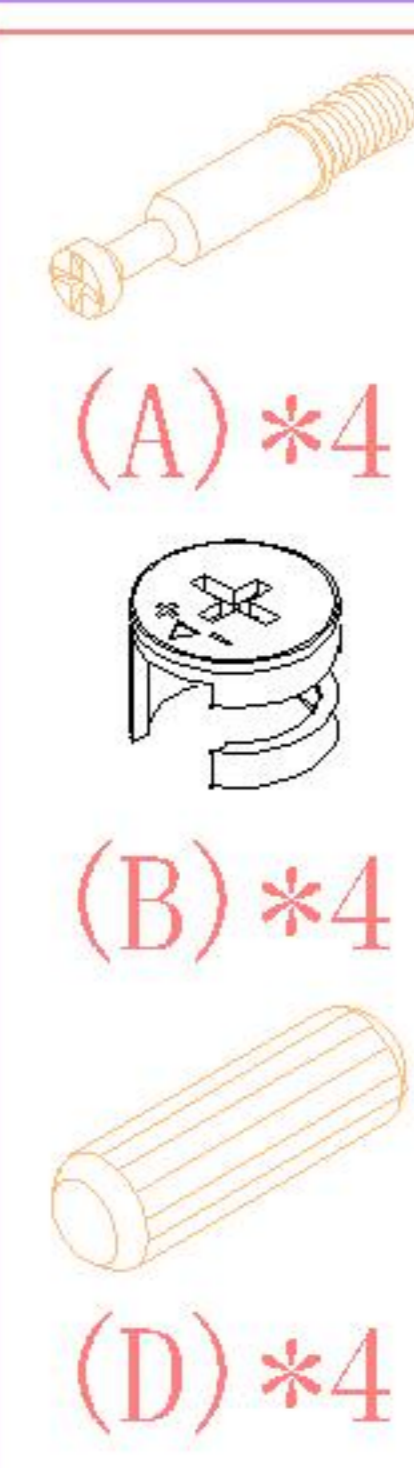
编号NO.	名称Name	规格 (mm) Specification	数量QTY	材质Material
①	面底板Bottom board	766*574*15	2	人造板 WBP
②	侧板Side board	400*574*15	2	人造板 WBP
③	背板Back board	776*378*5	1	人造板 WBP
④	左门板Door board(L)	396*396*22	1	吸塑板 Blister board
⑤	右门板Door board(R)	396*396*22	1	吸塑板 Blister board

TE12D-A

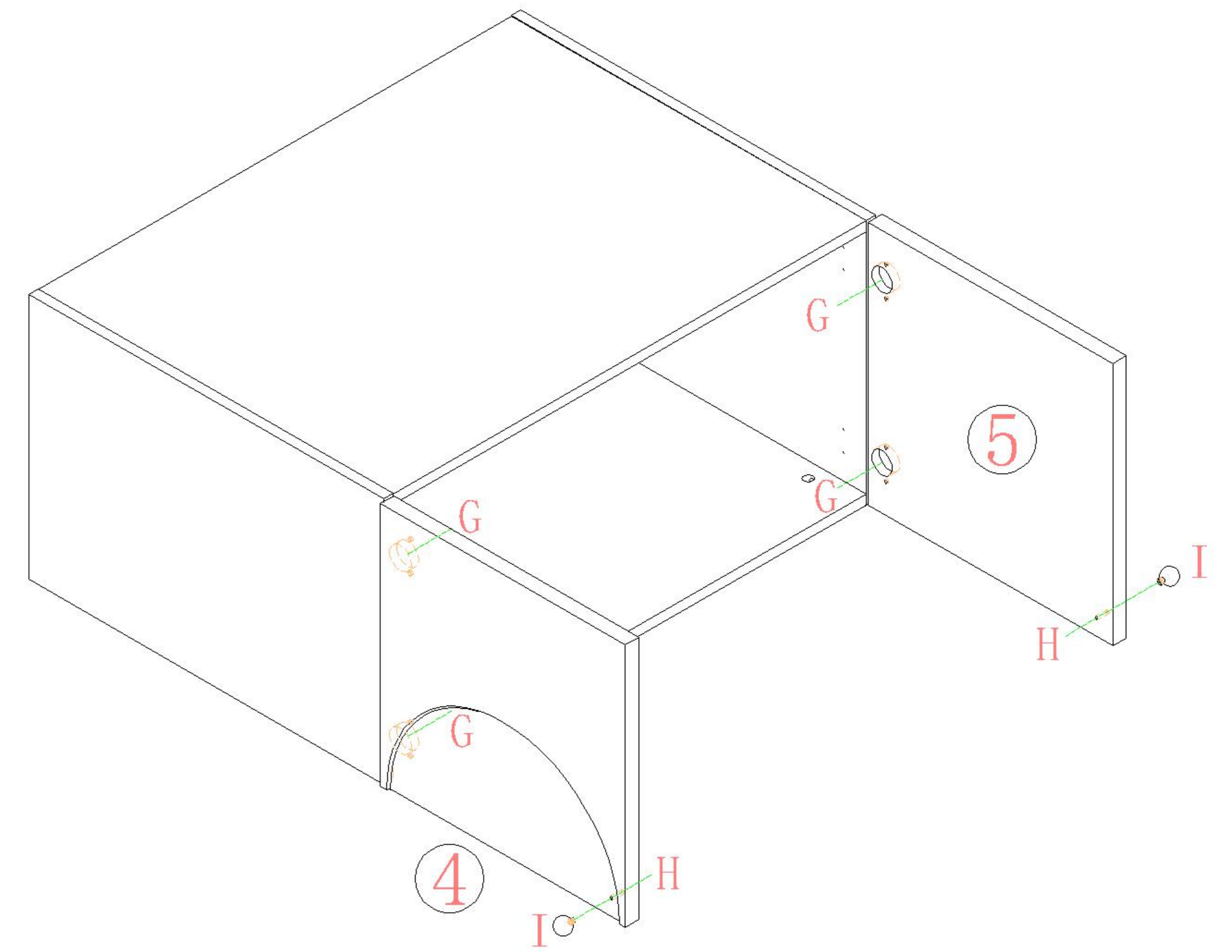
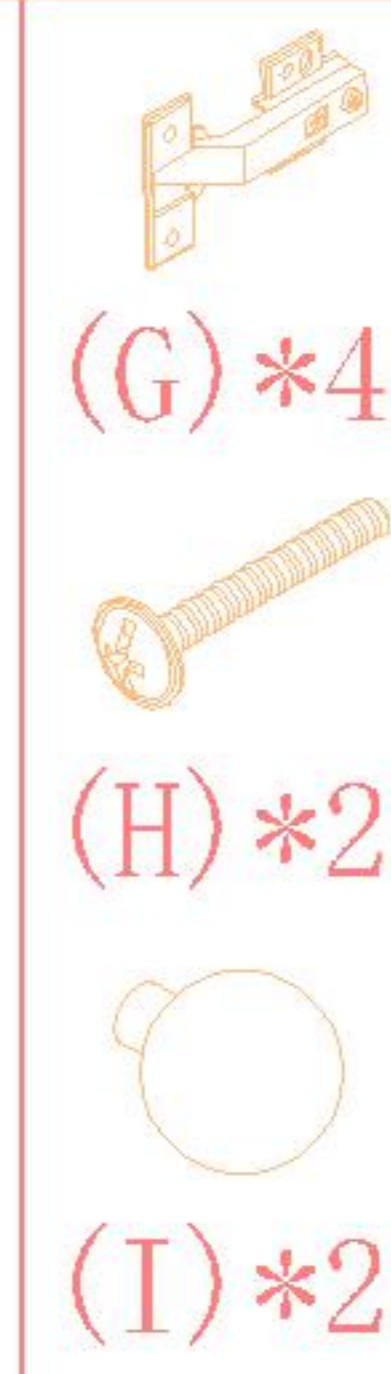
安装方法/
Installation method



大二合一
two-in-one



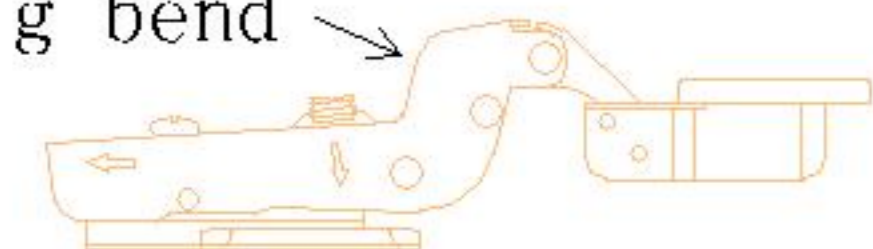
3



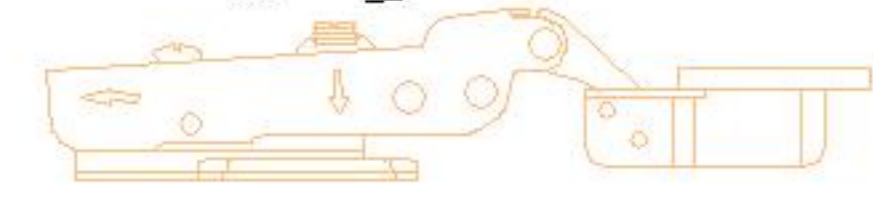
TE12D-A

安装方法/ Installation method

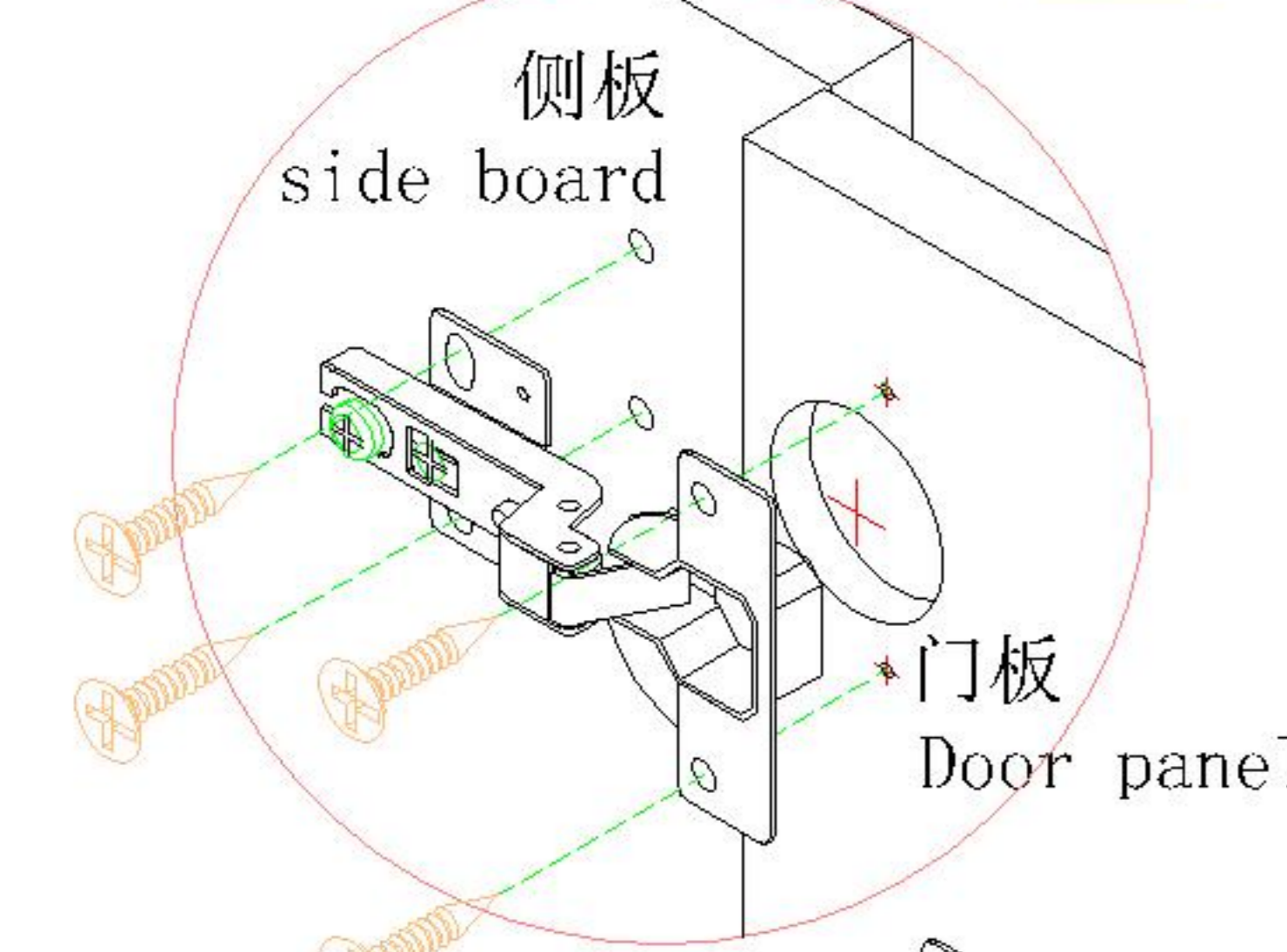
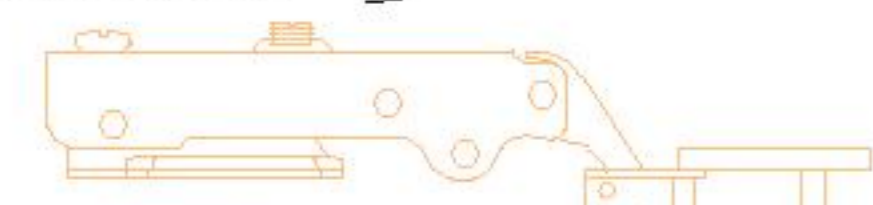
大弯big bend



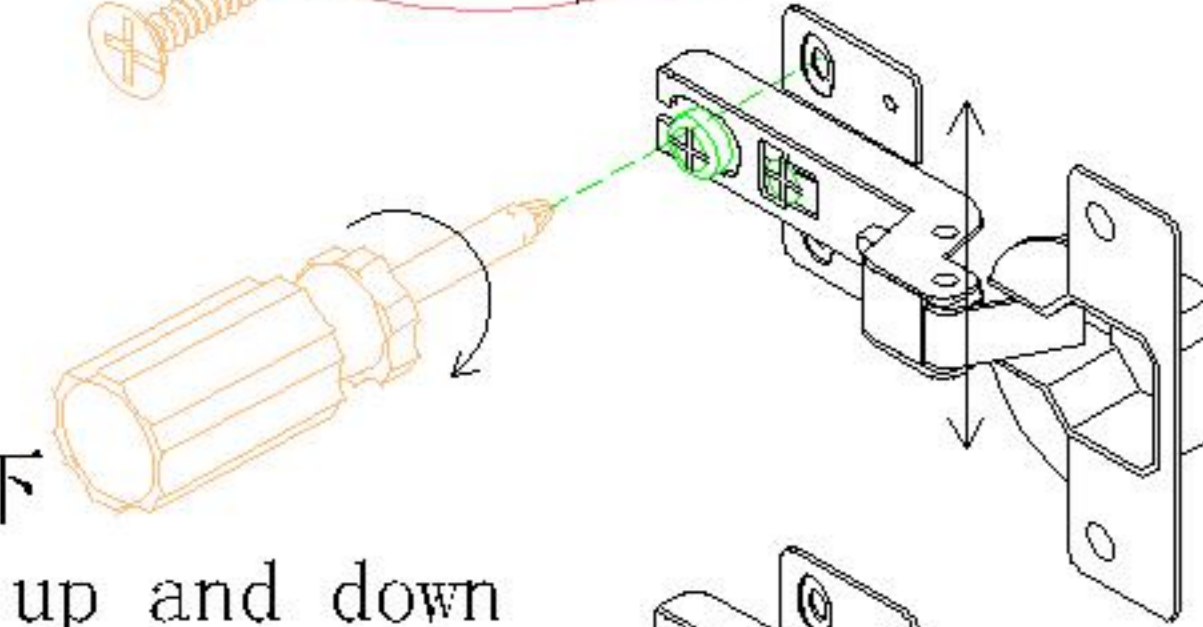
中弯middle bending



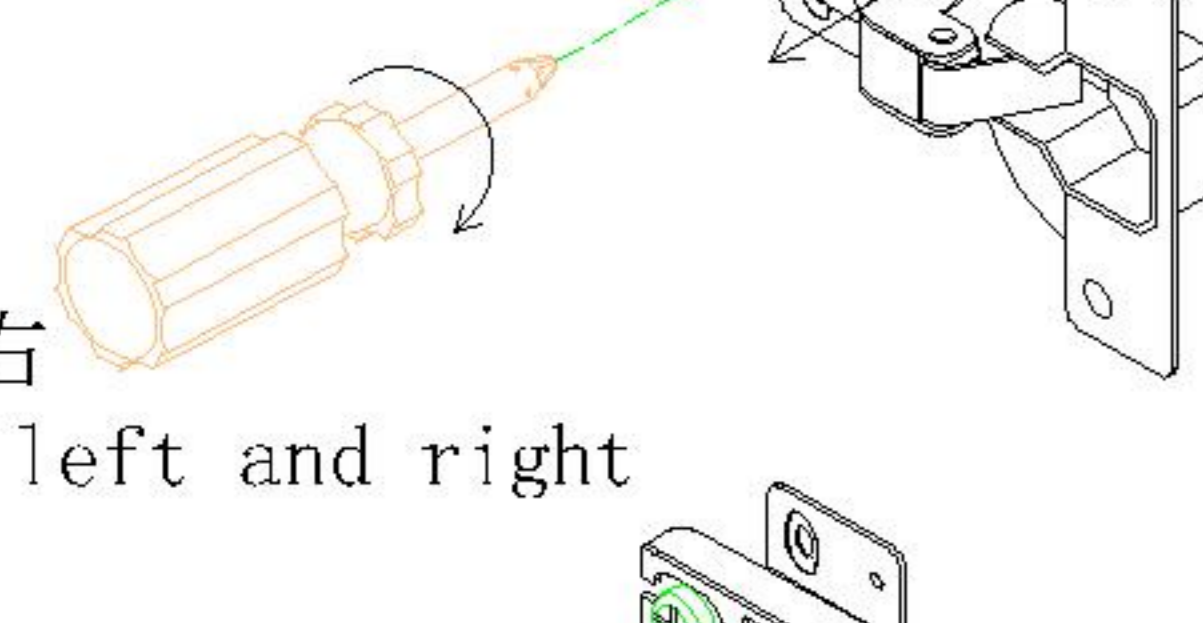
直弯straight bending



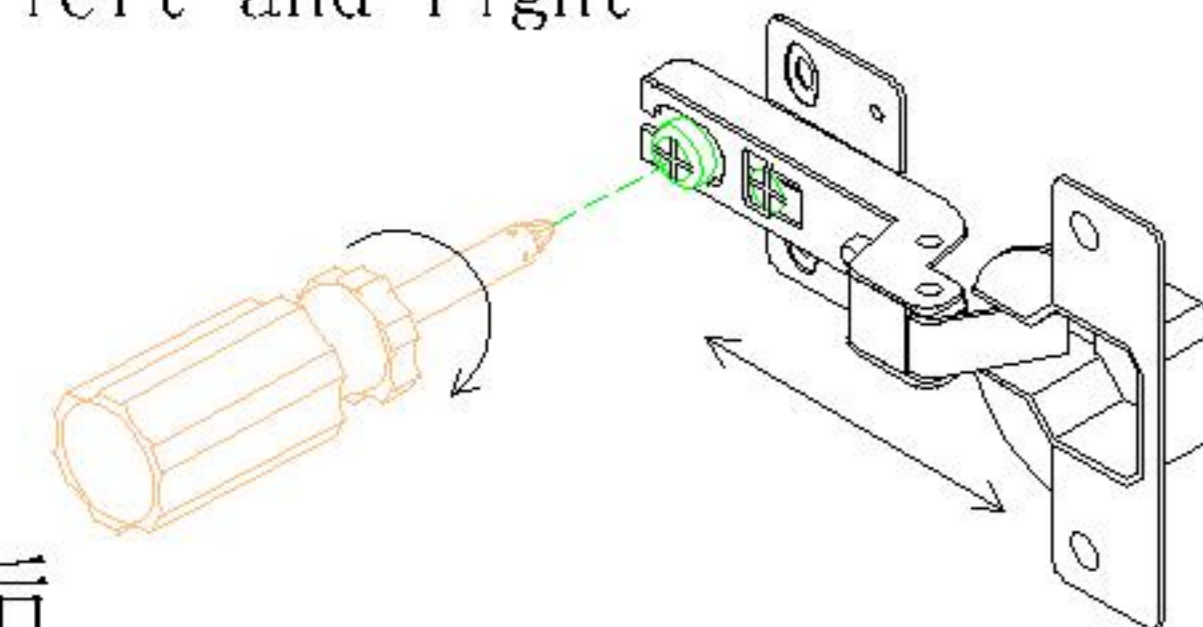
调节上下
Adjust up and down



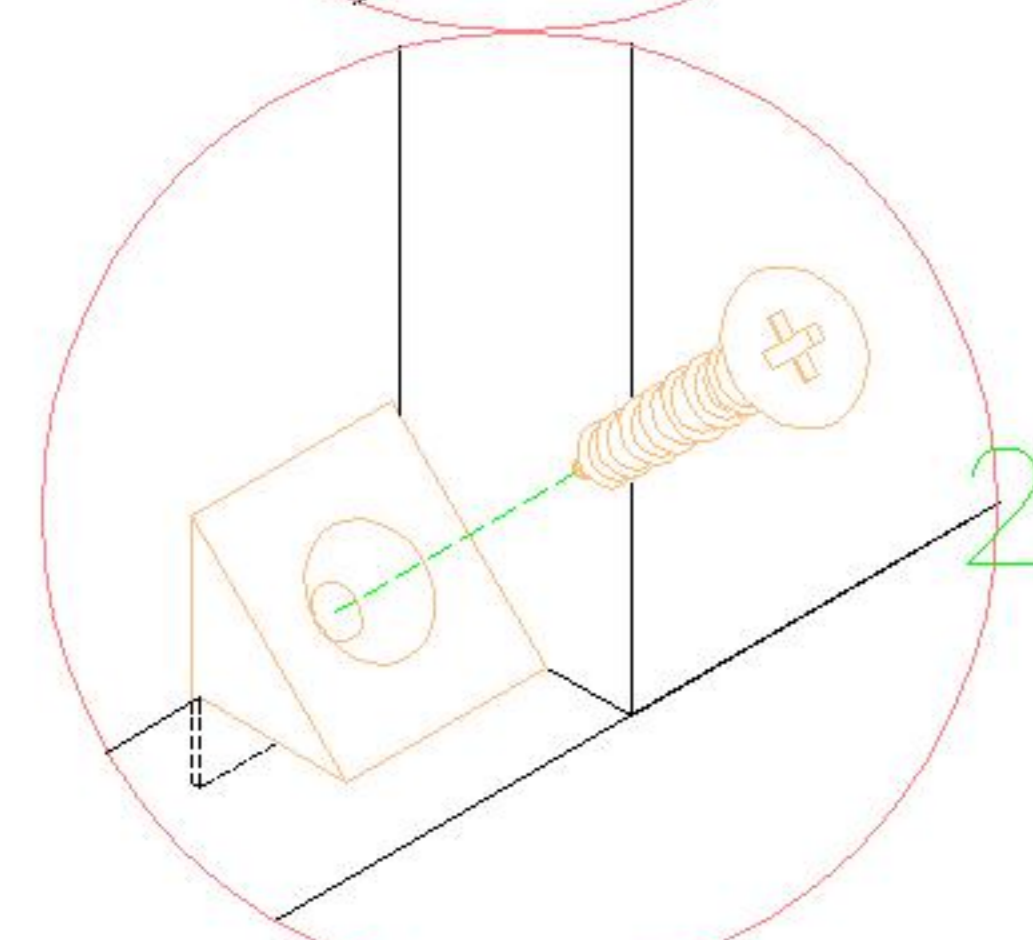
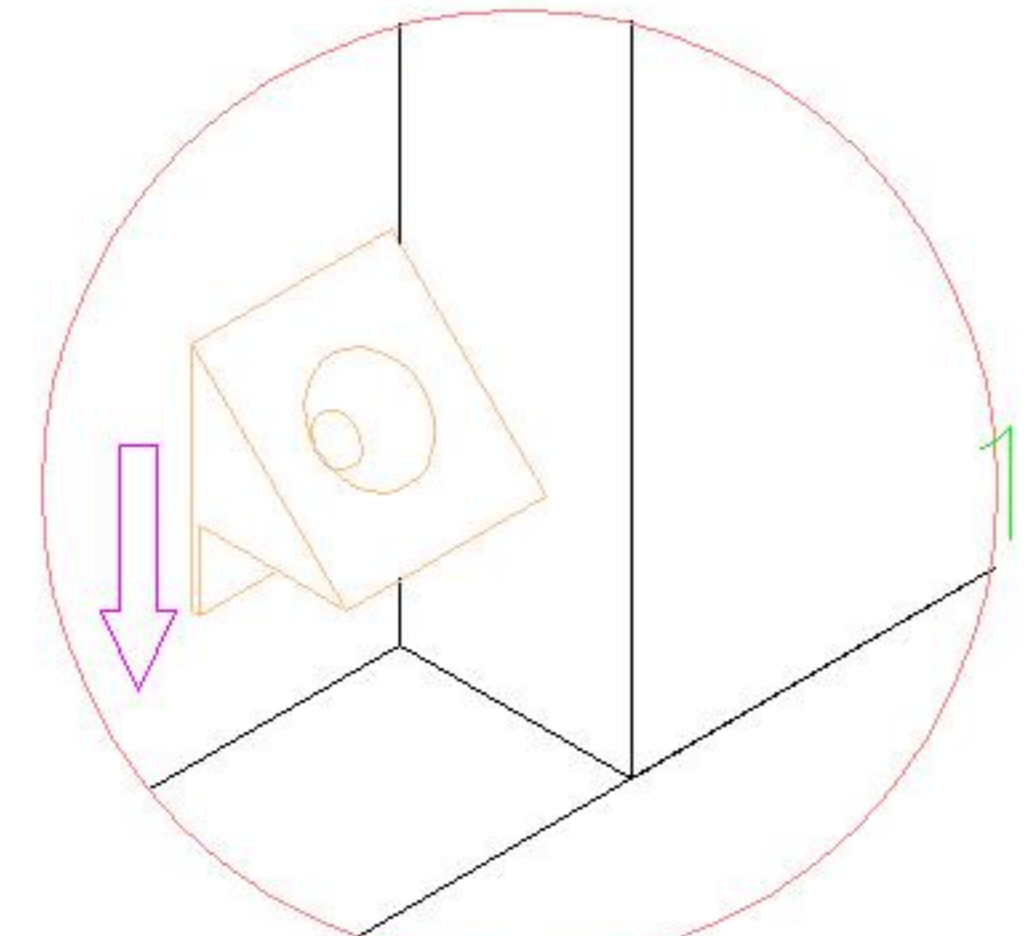
调节左右
Adjust left and right



调节前后
Before and after adjustment

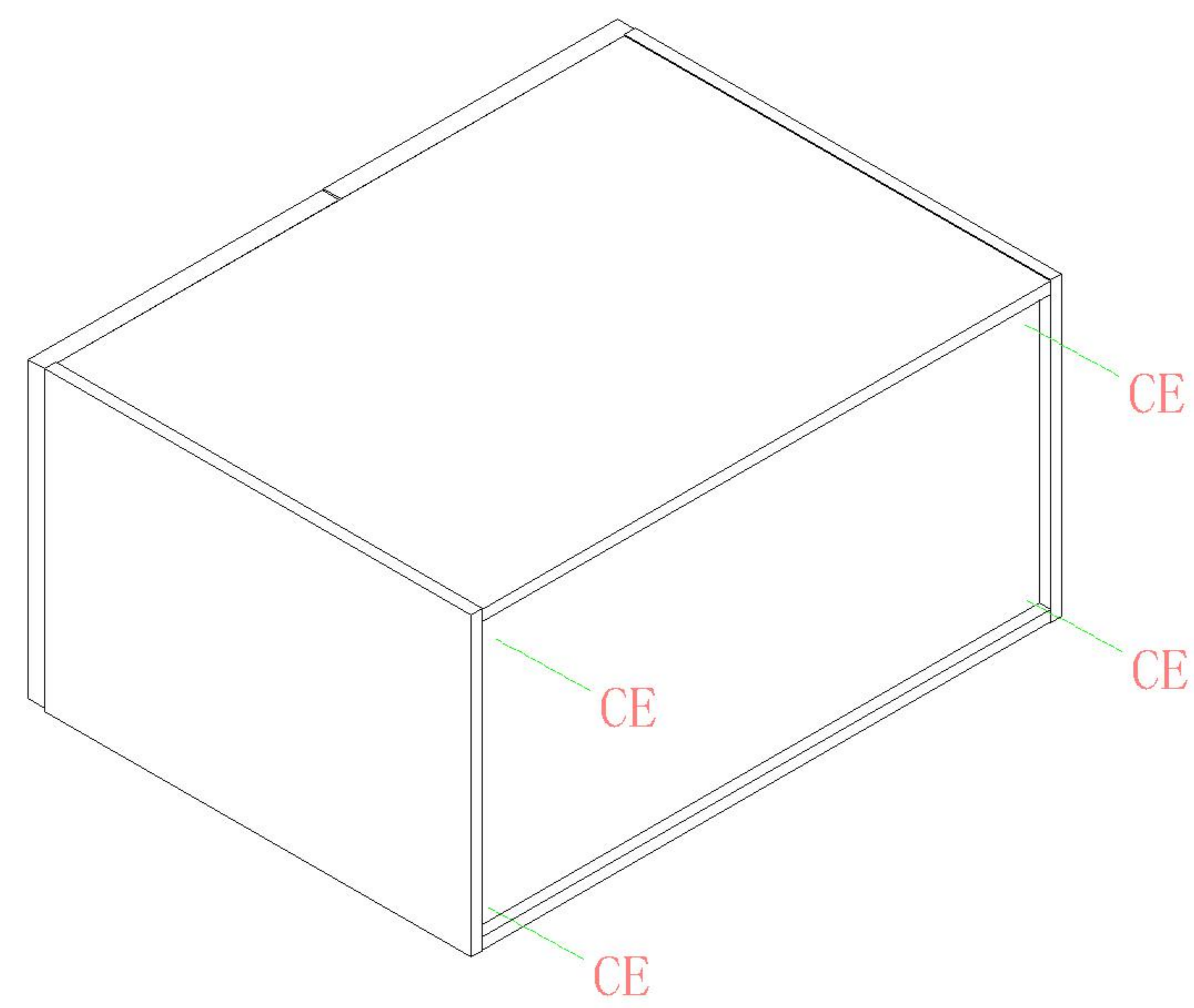


门铰
Hinge

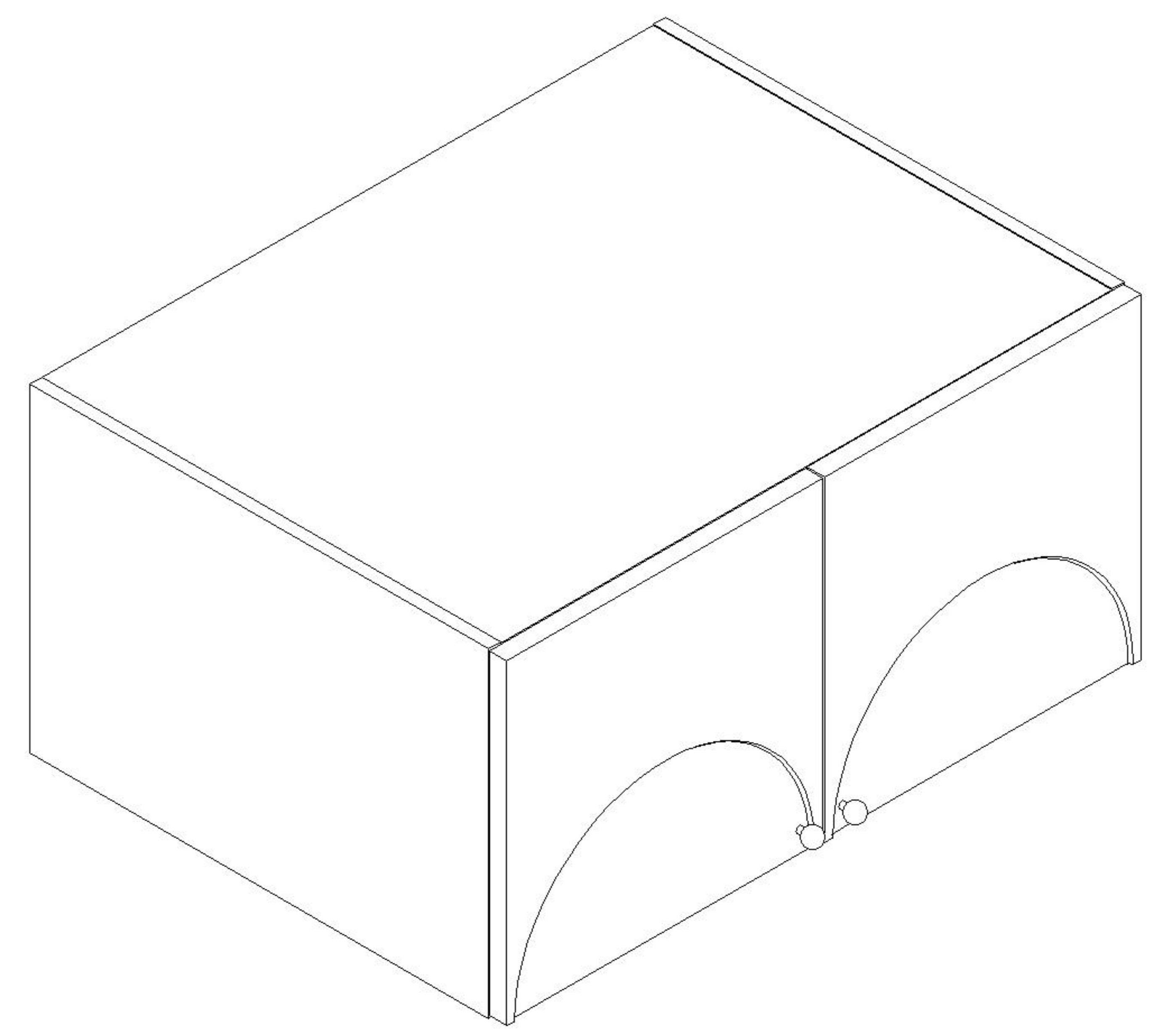


背板扣
Back Plate Buckle-White

(C)*4
(E)*4



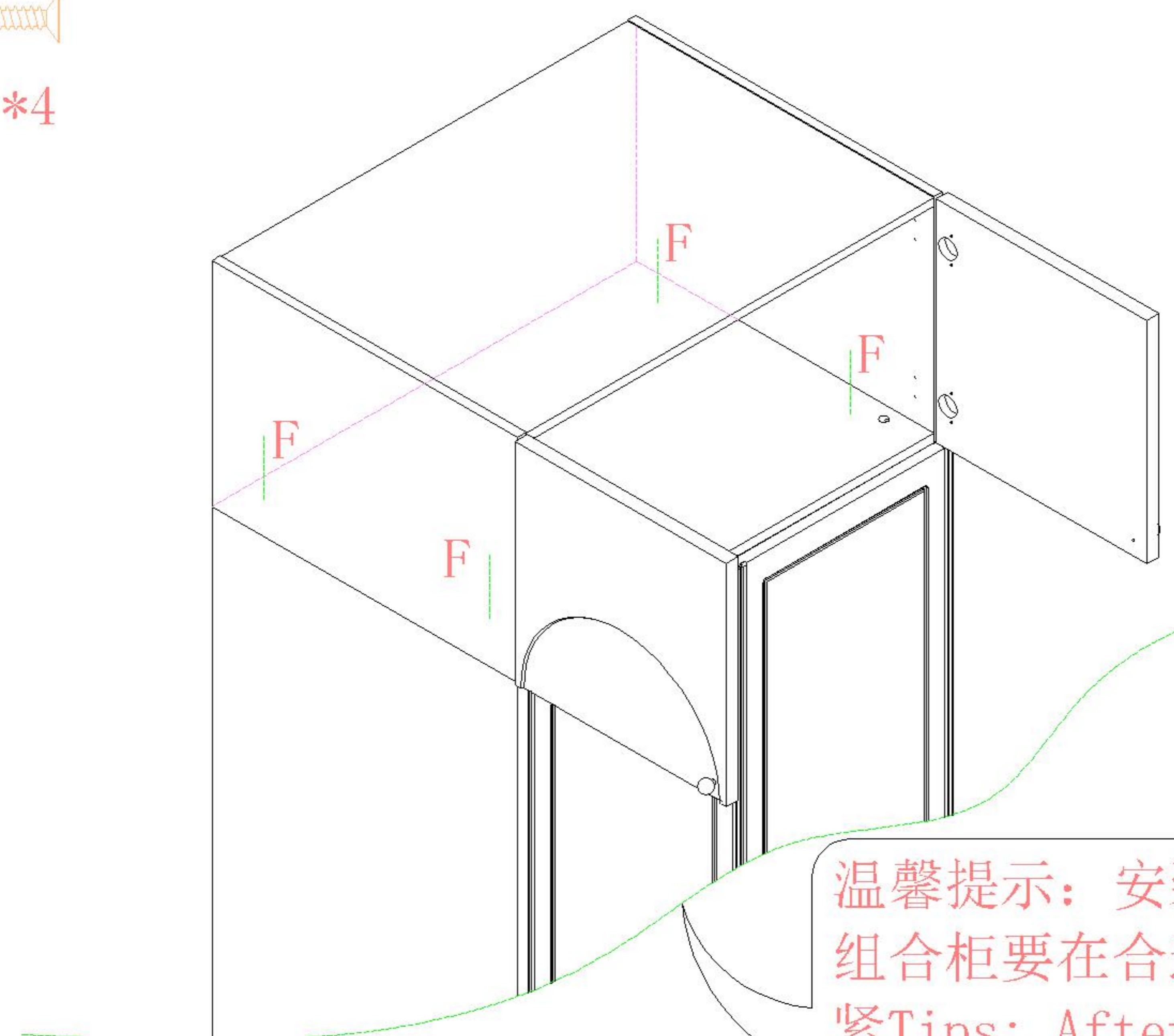
5



6

▲安装完成
Installation is complete

(F)*4



7

温馨提示：安装完成后，顶柜与组合柜要在合适位置用五金F锁紧
Tips: After the installation, the top cabinet and the combination cabinet should be locked with hardware F at appropriate positions