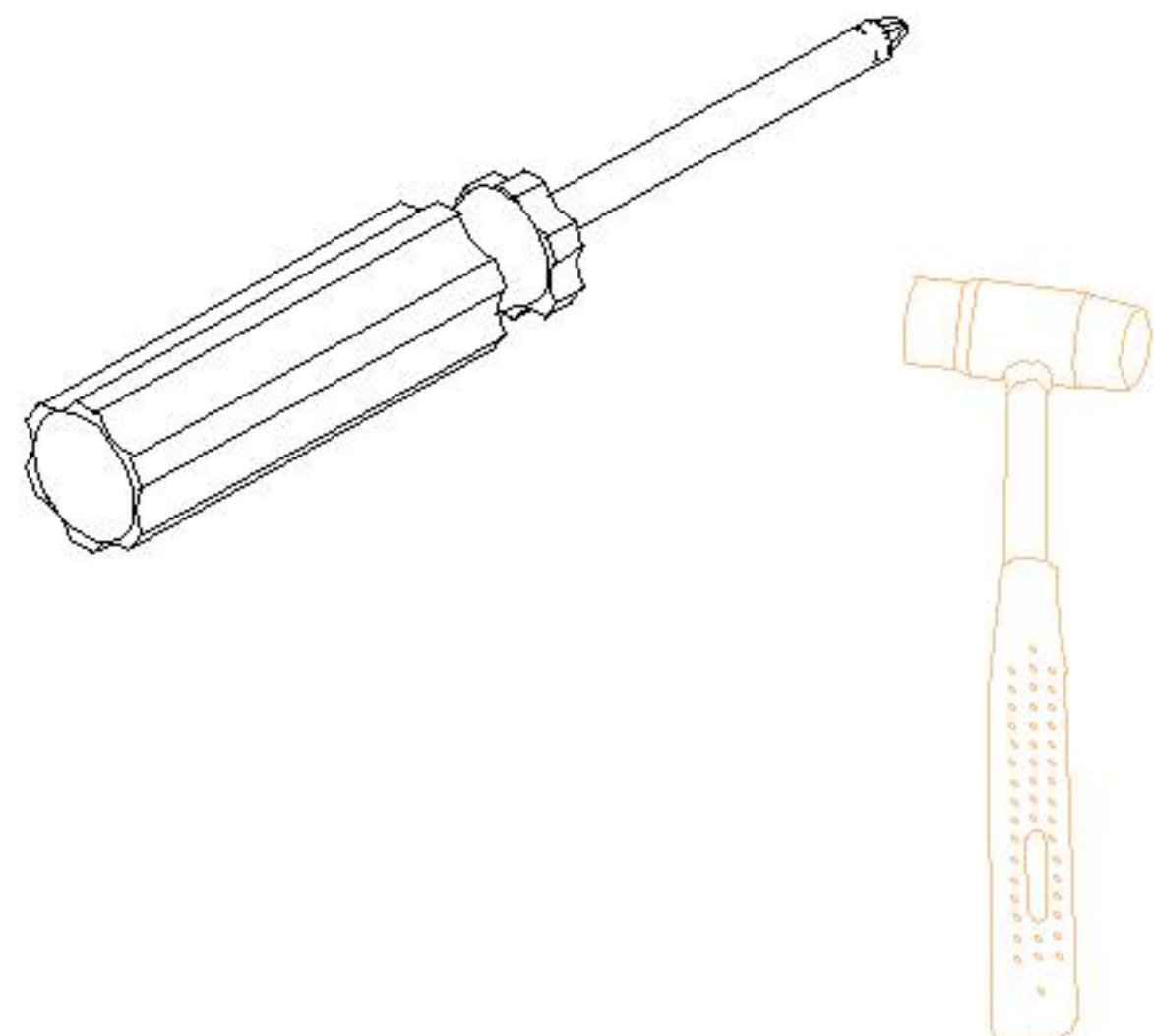
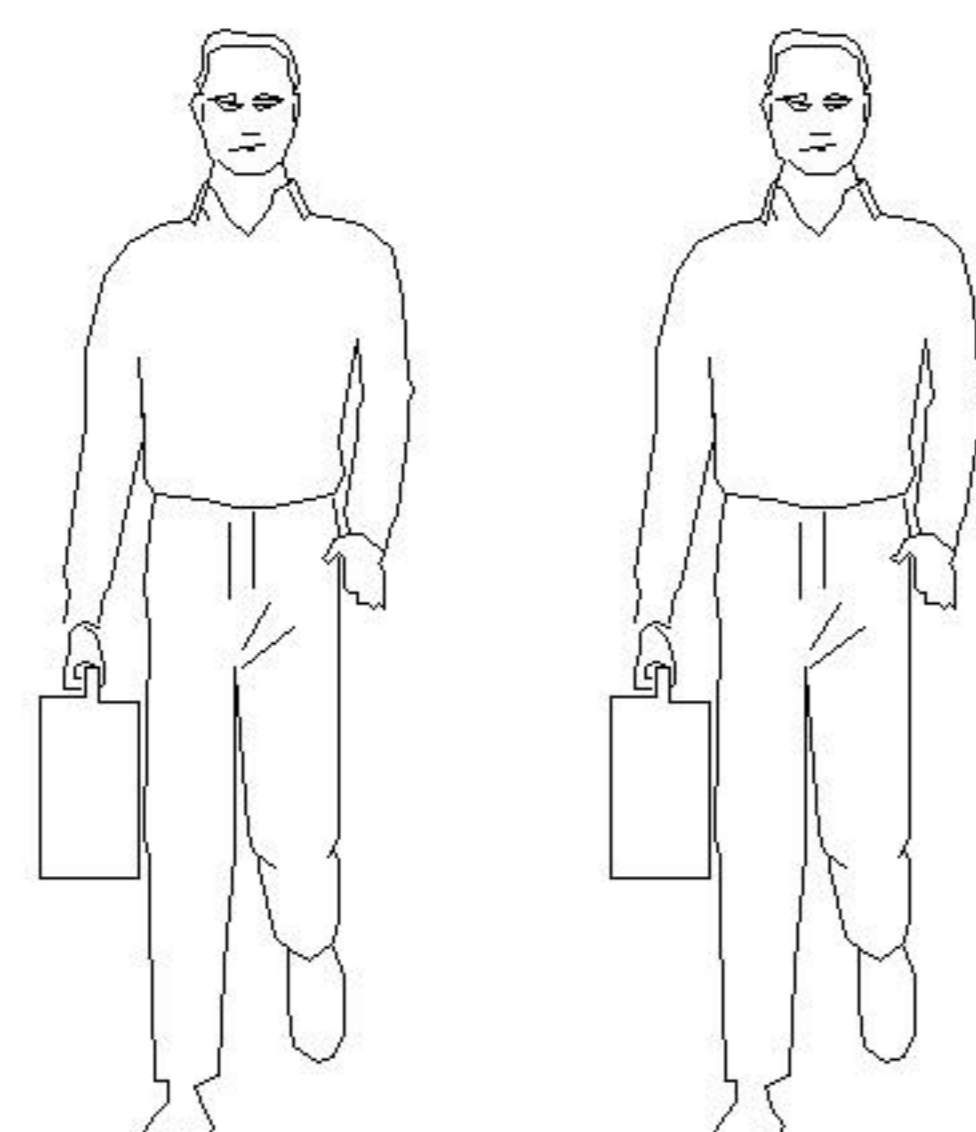


# LINSY 林氏家居

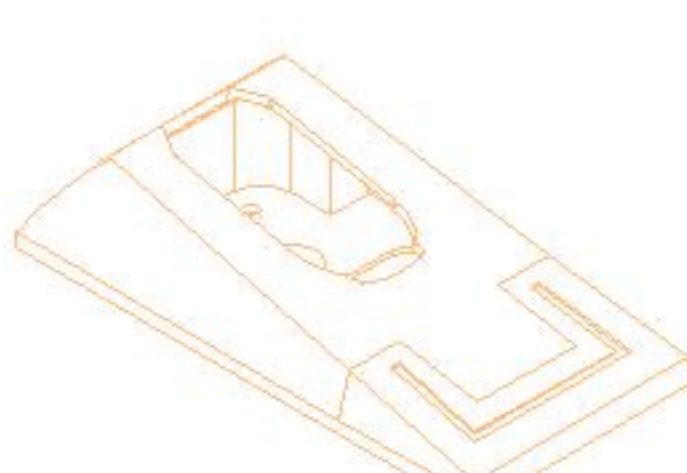
## 五金表/Hardware list

## 部件表/Parts List

### 安装示意图/Assembly Instruction

产品名称 Model NO.	TE8D-A(玻璃衣柜)
产品规格 Specification	796*620.5*2003mm
安装工具 Tool	安装人数 Installer
	



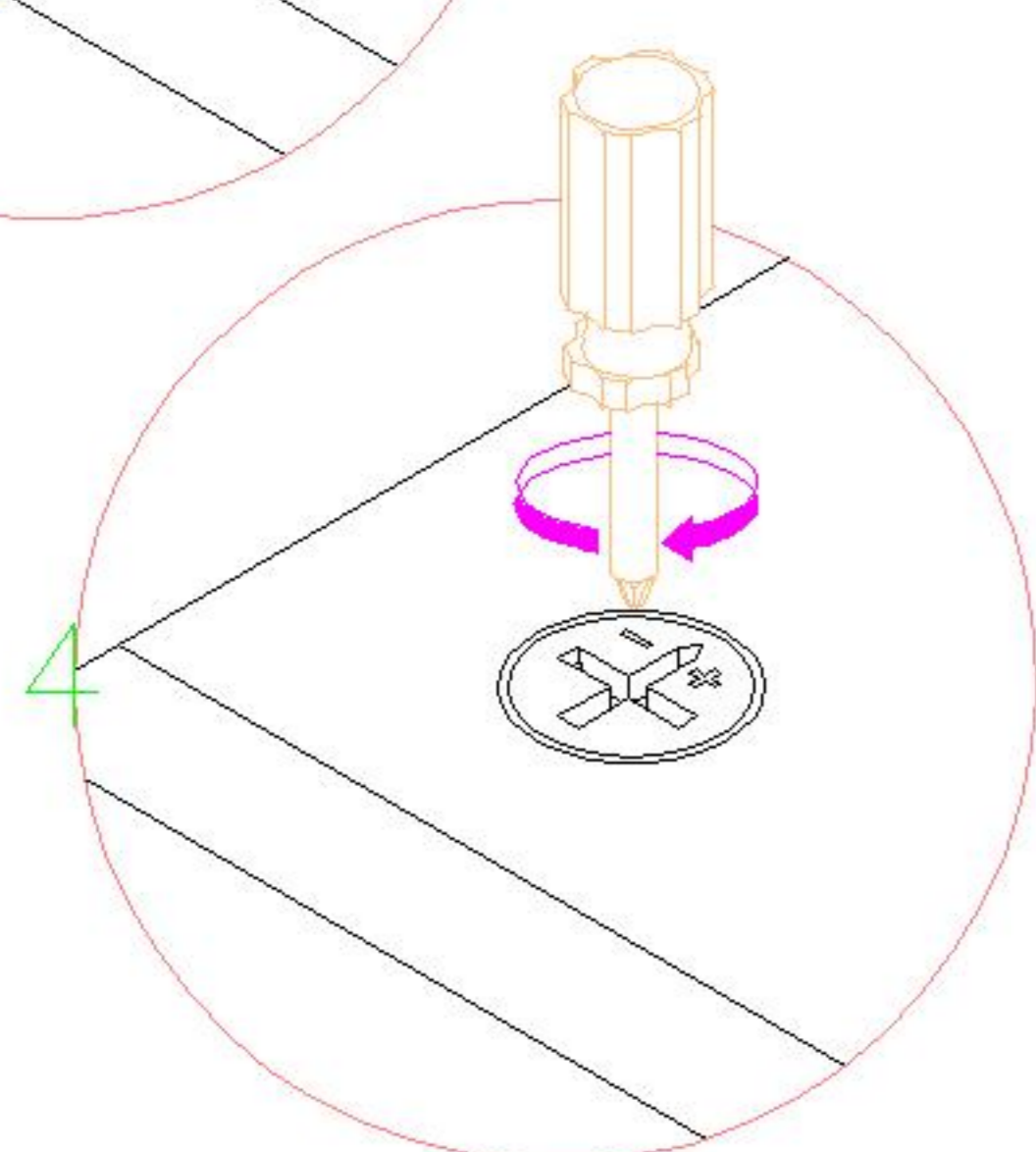
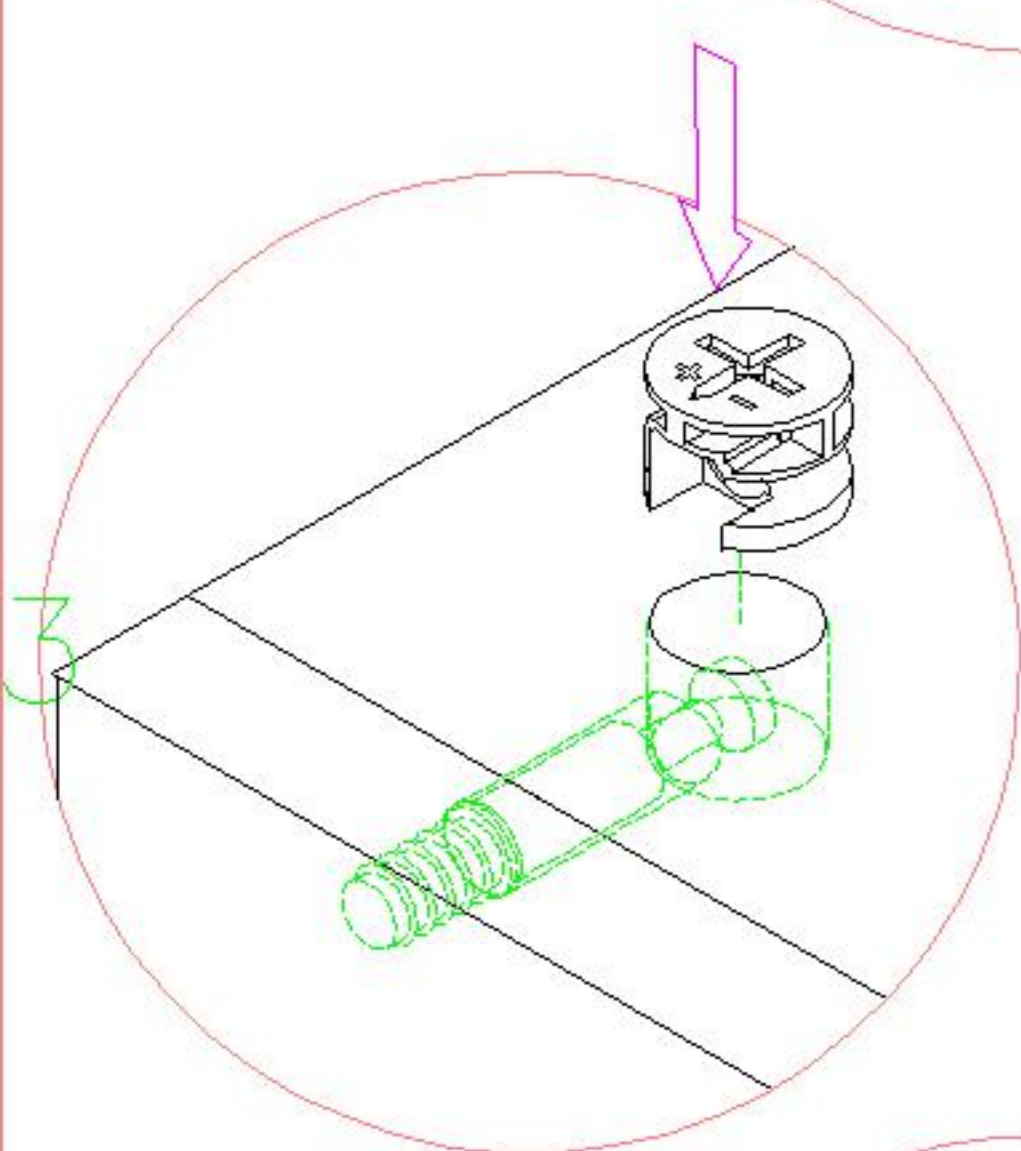
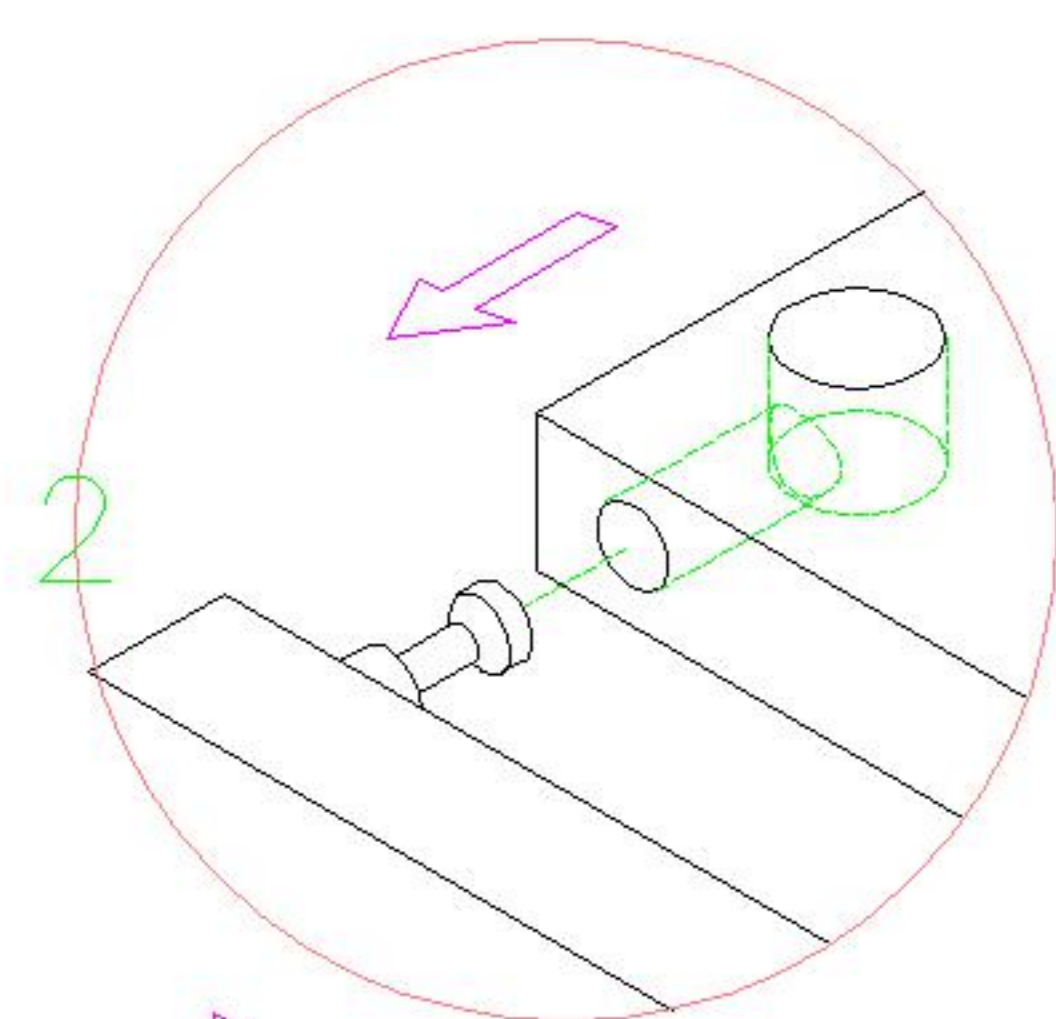
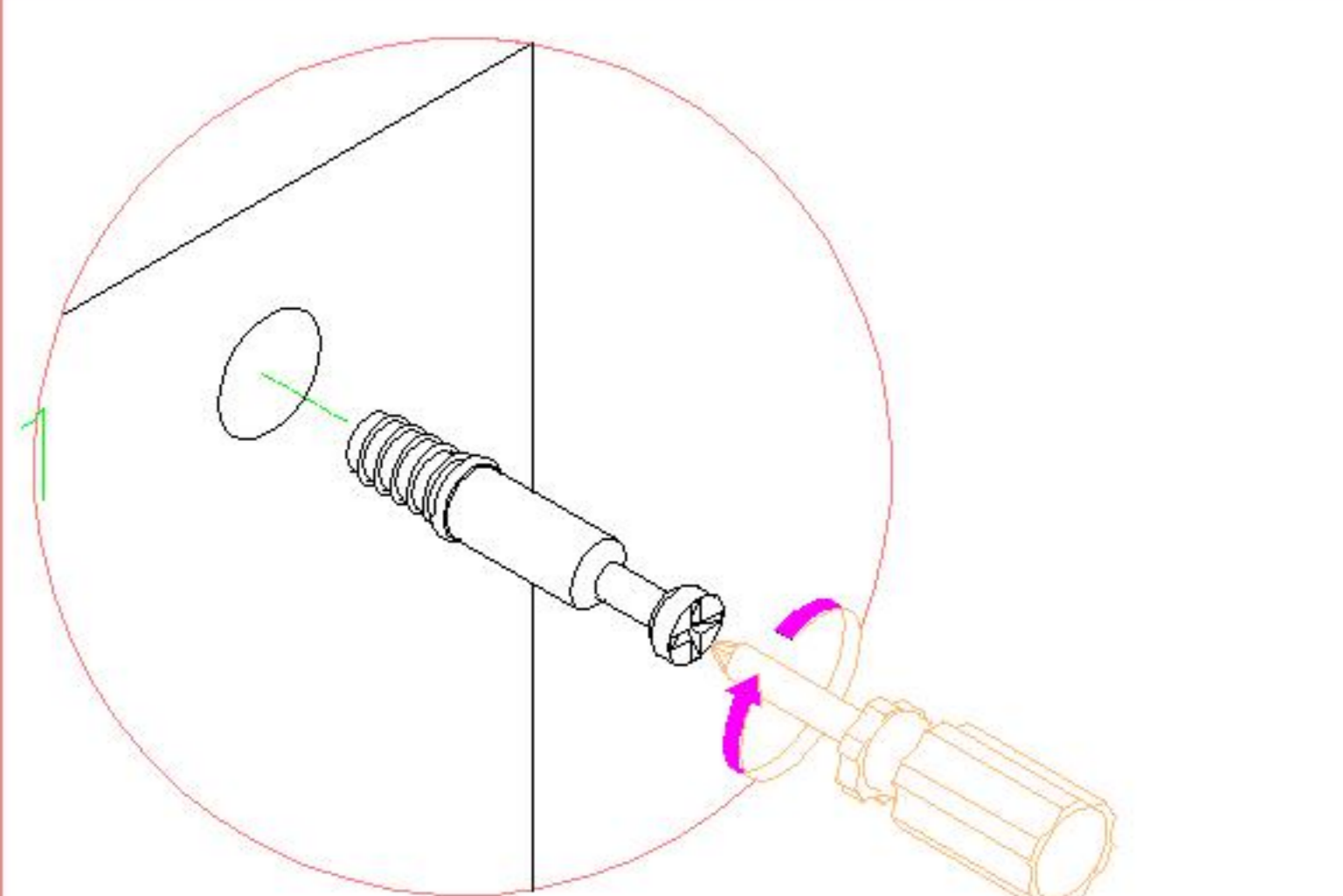
 (A)* 21 自攻螺丝M3.5x12mm Self-tapping screw	 (B)* 46 二合一螺杆 2-in-1-screw	 (C)* 46 大三合一锁饼 Three-in-one large lock	 (D)* 6 背板扣 Back Plate Buckle-White
 (E)* 8 木榫Ø8x30mm wood tenon	 (F)* 6 自攻螺丝M3.5x16mm Self-tapping screw	 (G)* 2 拉手螺丝-M4x22mm pulling screw	 (H)* 2 拉手 Handle
 (I)* 1 透气孔盖-白色 Vent cover - white	 (J)* 2 挂衣托F874-B Clothes hanger	 (K)* 8 缓冲门铰直弯-杯径Ø35 Hinge-straight bending-diameter 35	 (L)* 4 层板托 shelf support
 (M)* 8 脚垫-灰色 Footrest - Grey	 (N)* 1 三节滚珠导轨-18" three-section ball rail	 (O)* 8 圆管-Ø14*460 Round tube	 (P)* 8 自攻螺丝M4x35mm Self-tapping screw
 (Q)* 1 挂衣杆-L=758mm Clothes hanging rod			

编号NO.	名称Name	规格 (mm) Specification	数量QTY	材质Material
①	右侧板 Side board(R)	2000*574*15	1	人造板 WBP
②	左侧板 Side board(L)	2000*574*15	1	人造板 WBP
③	顶板 Top board	766*574*15	1	人造板 WBP
④	底板 Bottom board	766*554*15	1	人造板 WBP
⑤	长层板 Long laminate	765*532*15	1	人造板 WBP
⑥	背拉条 Back brace	1912*101*15	2	人造板 WBP
⑦	大背板 Big backboard	1922*575*5	1	人造板 WBP
⑧	长脚条 Long foot slat	766*58*15	2	人造板 WBP
⑨	导轨垫条 Rail cushion strip	532*88*25	2	人造板 WBP
⑩	小抽屉面板 Small drawer's panel	712*82*15	1	人造板 WBP
⑪	小抽屉侧板 Small Drawer's side board	442*58*15	2	人造板 WBP
⑫	中拉条 Brace	442*58*15	1	人造板 WBP
⑬	小抽屉后板 Small drawer's back board	690*58*15	1	人造板 WBP
⑭	左门板组立 Door board assembly(L)	1950*396*22	1	吸塑板+玻璃 Blister board+Glass
⑮	右门板组立 Door board assembly(R)	1950*396*22	1	吸塑板+玻璃 Blister board+Glass

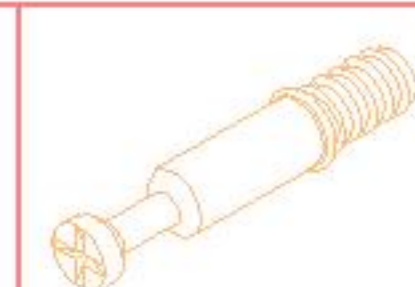


TE8D-A (玻璃衣柜)

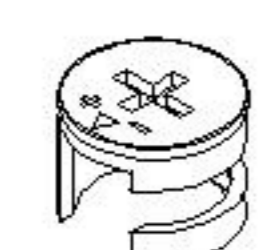
安装方法/  
Installation method



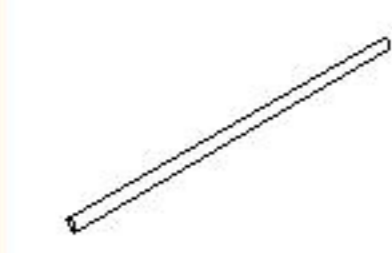
大二合一  
two-in-one



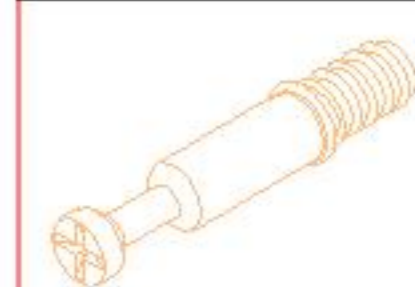
(B)\*6



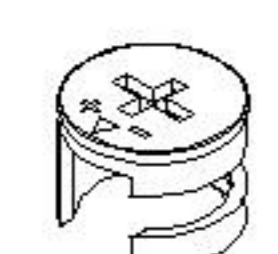
(C)\*6



(O)\*8



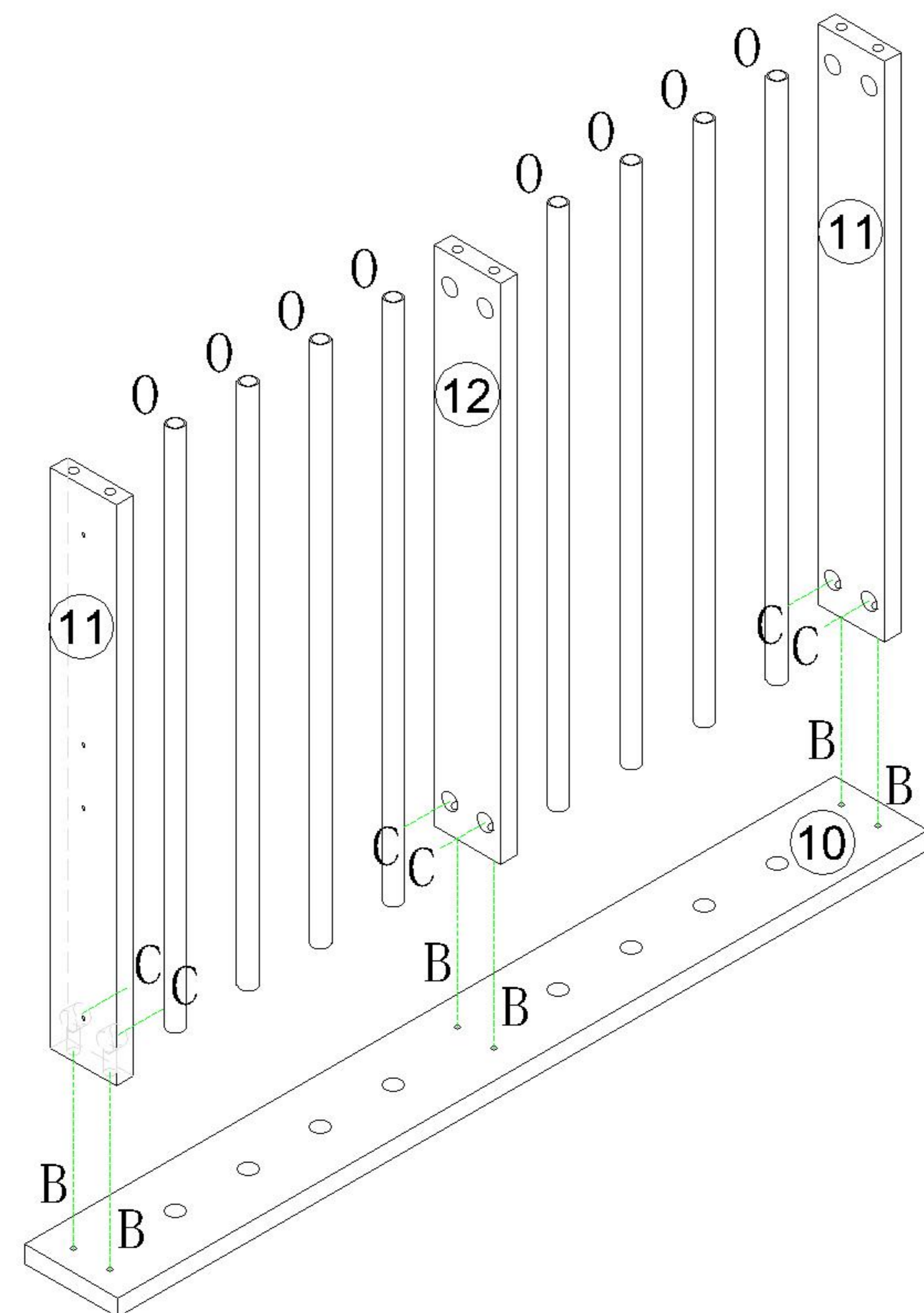
(B)\*4



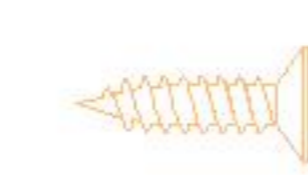
(C)\*4



(M)\*4



1



(A)\*8



(B)\*6

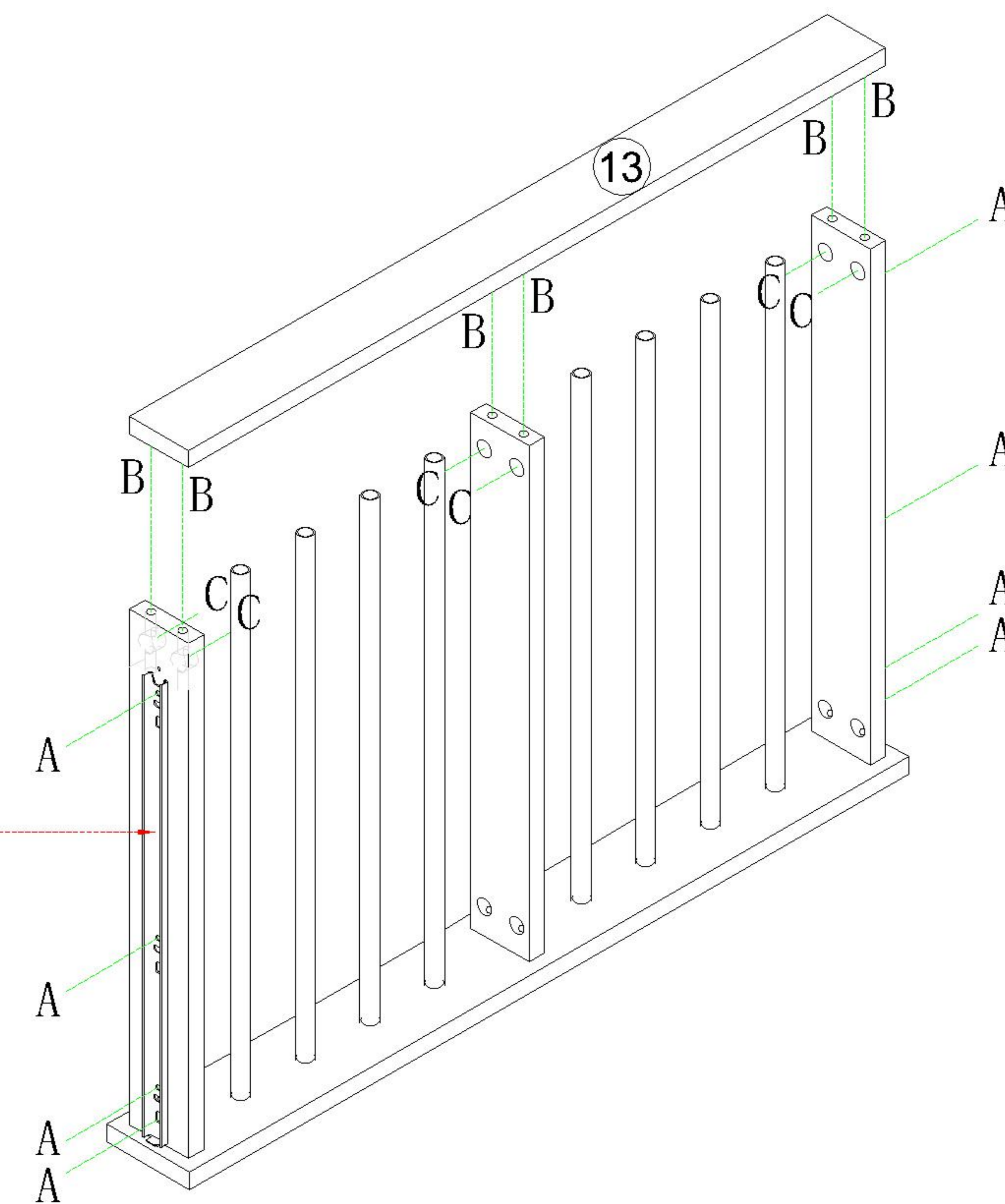


(C)\*6



(N)\*1

(N) 副轨  
Sub rail



2

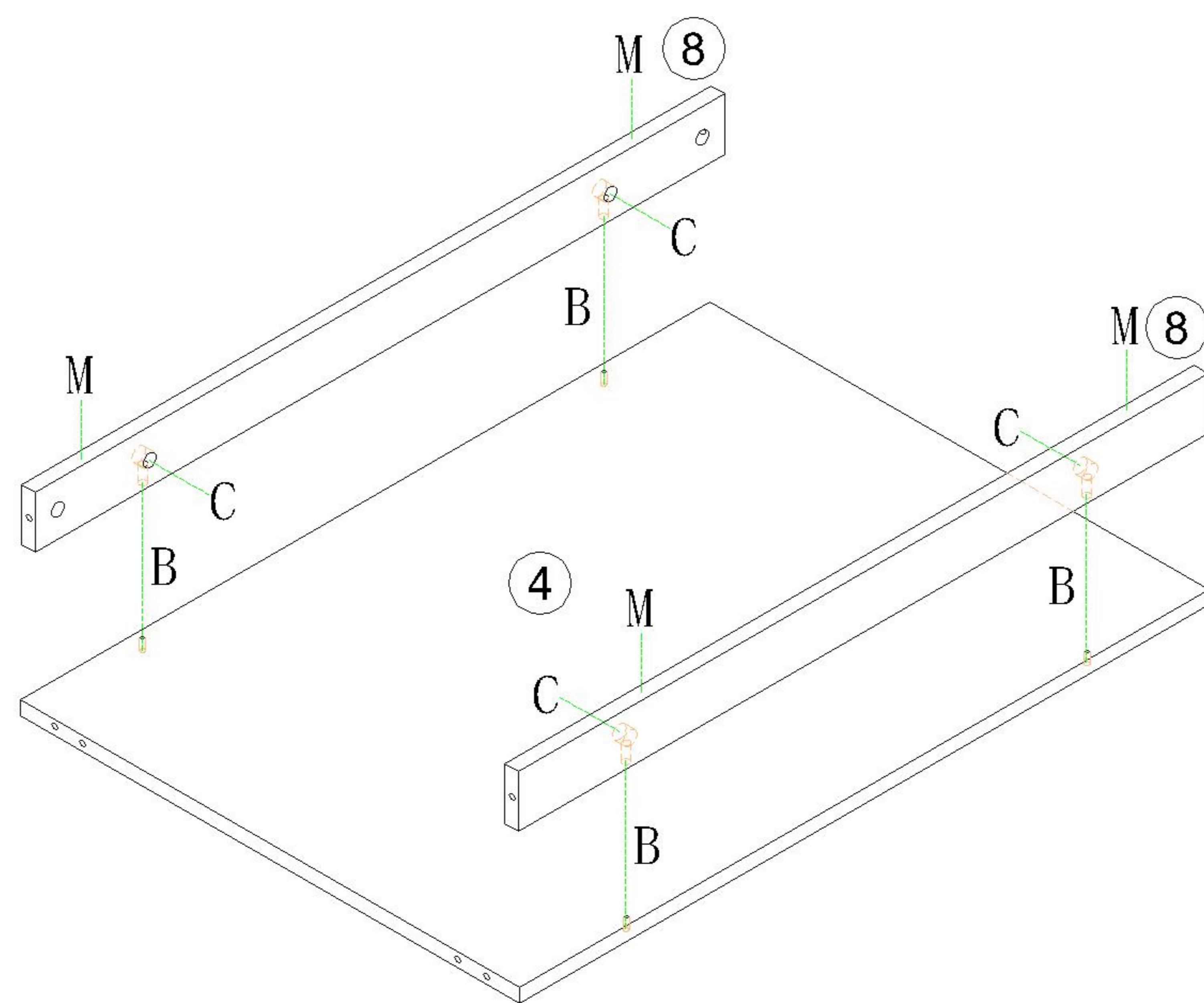
3



(B)\*4



(C)\*4



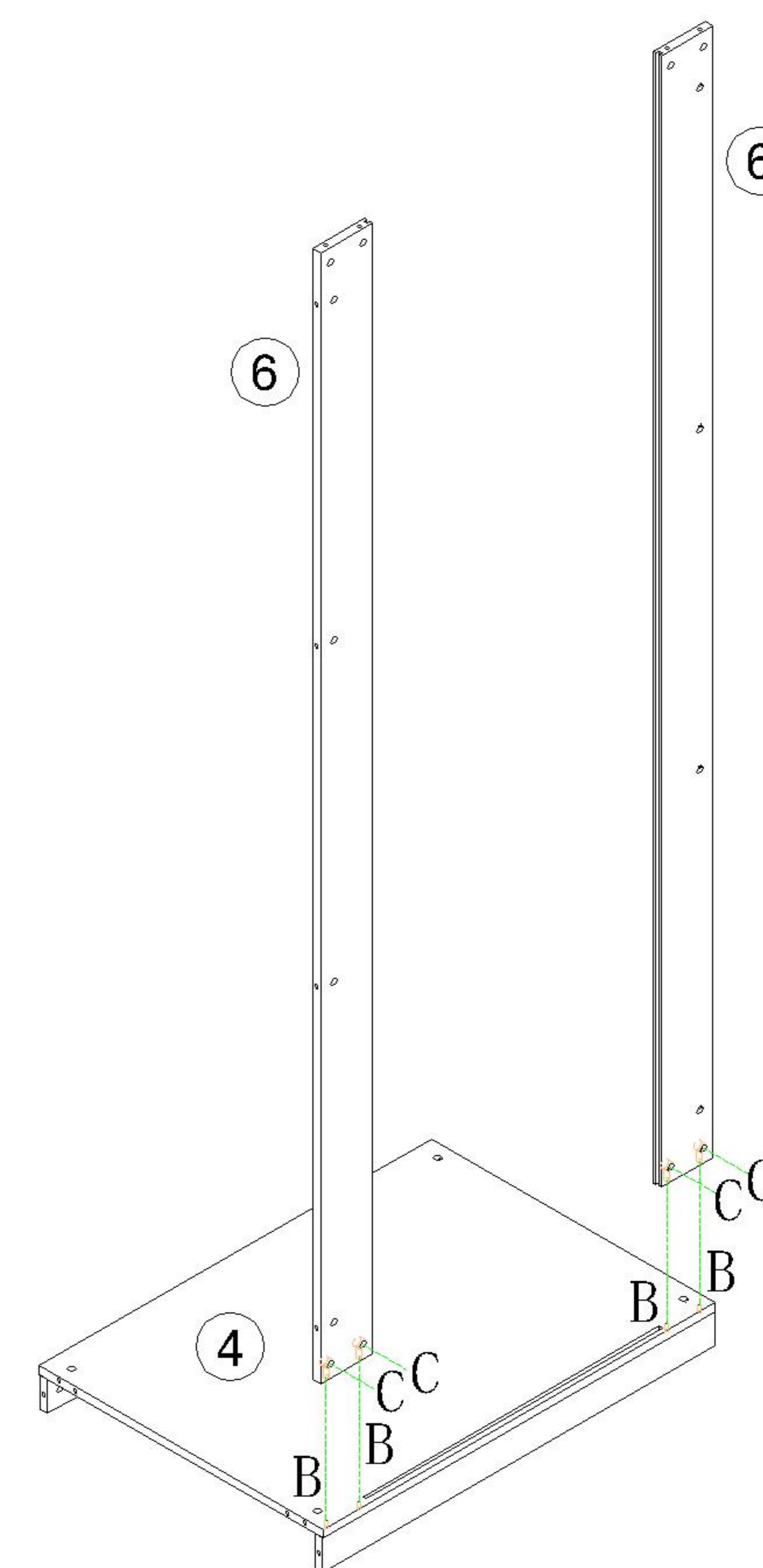
4



(B)\*4



(C)\*4



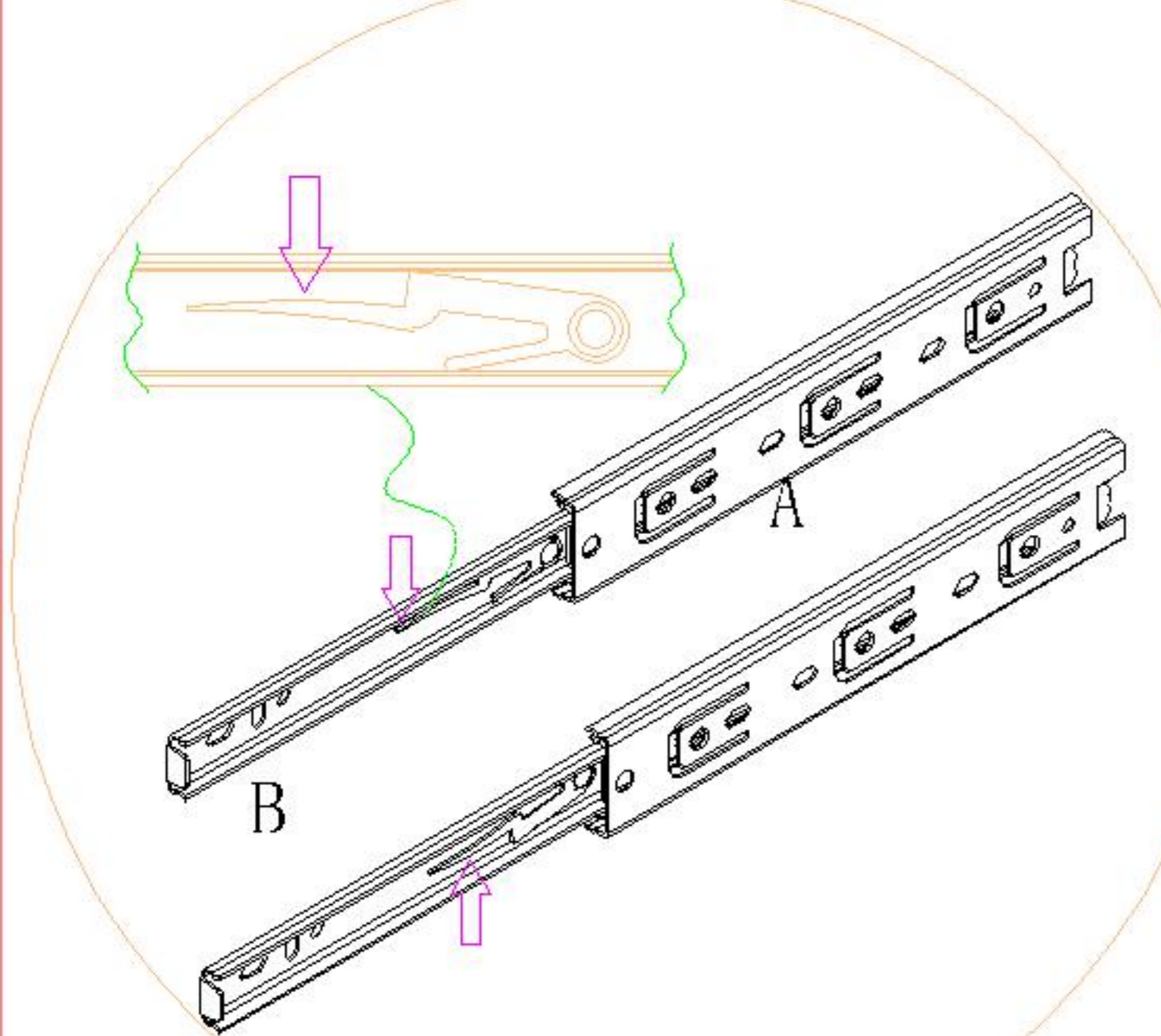


TE8D-A (玻璃衣柜)

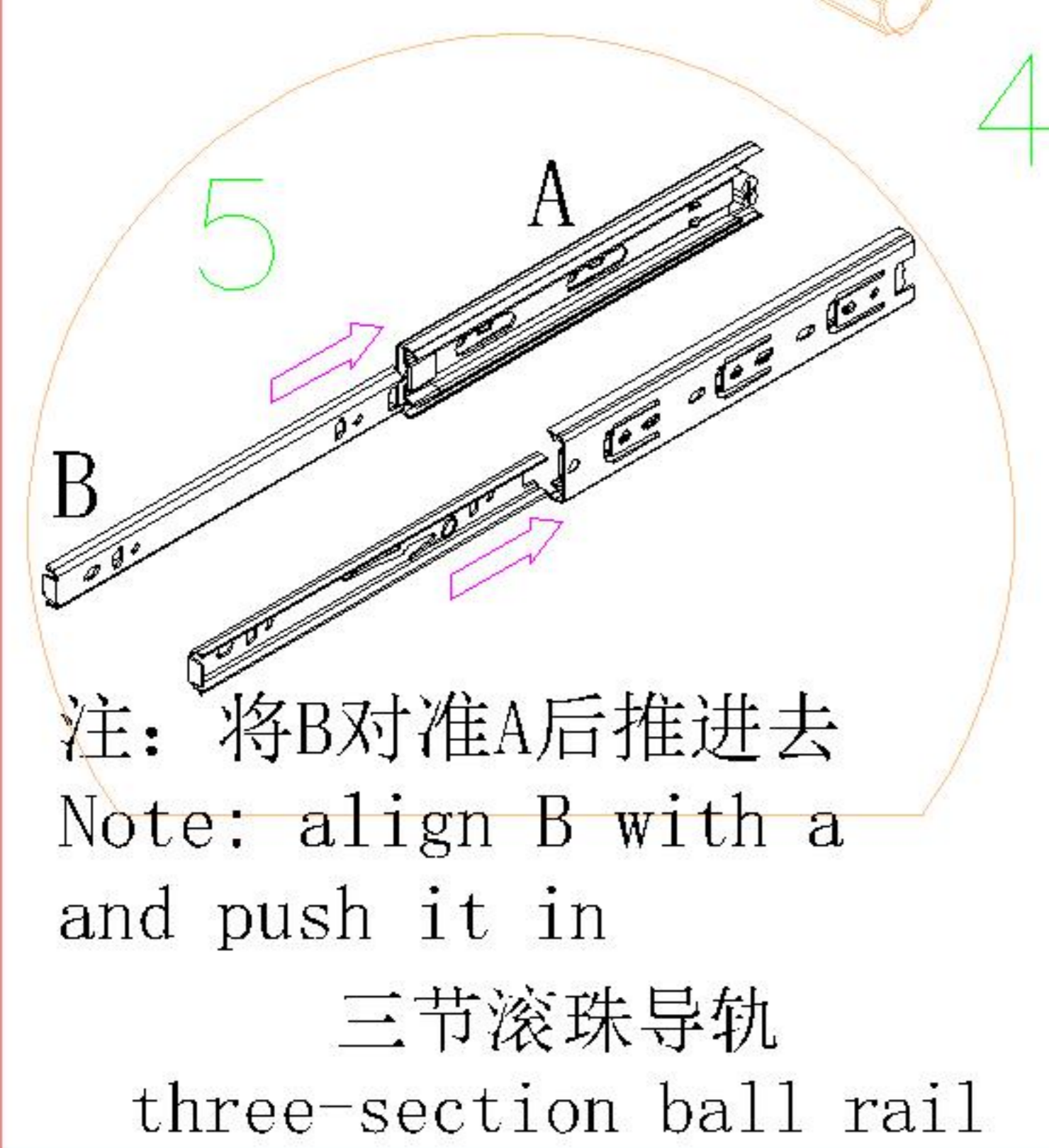
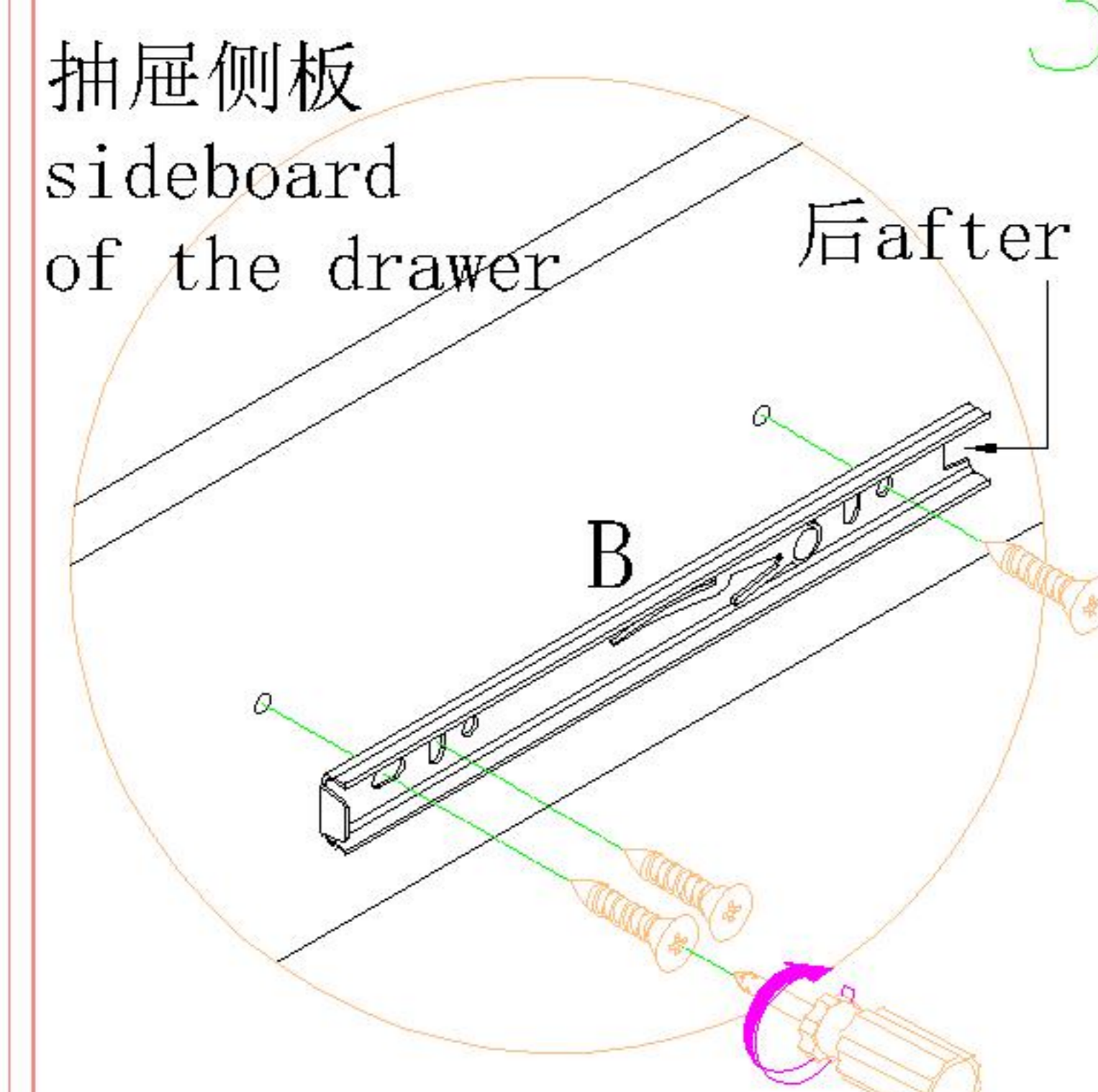
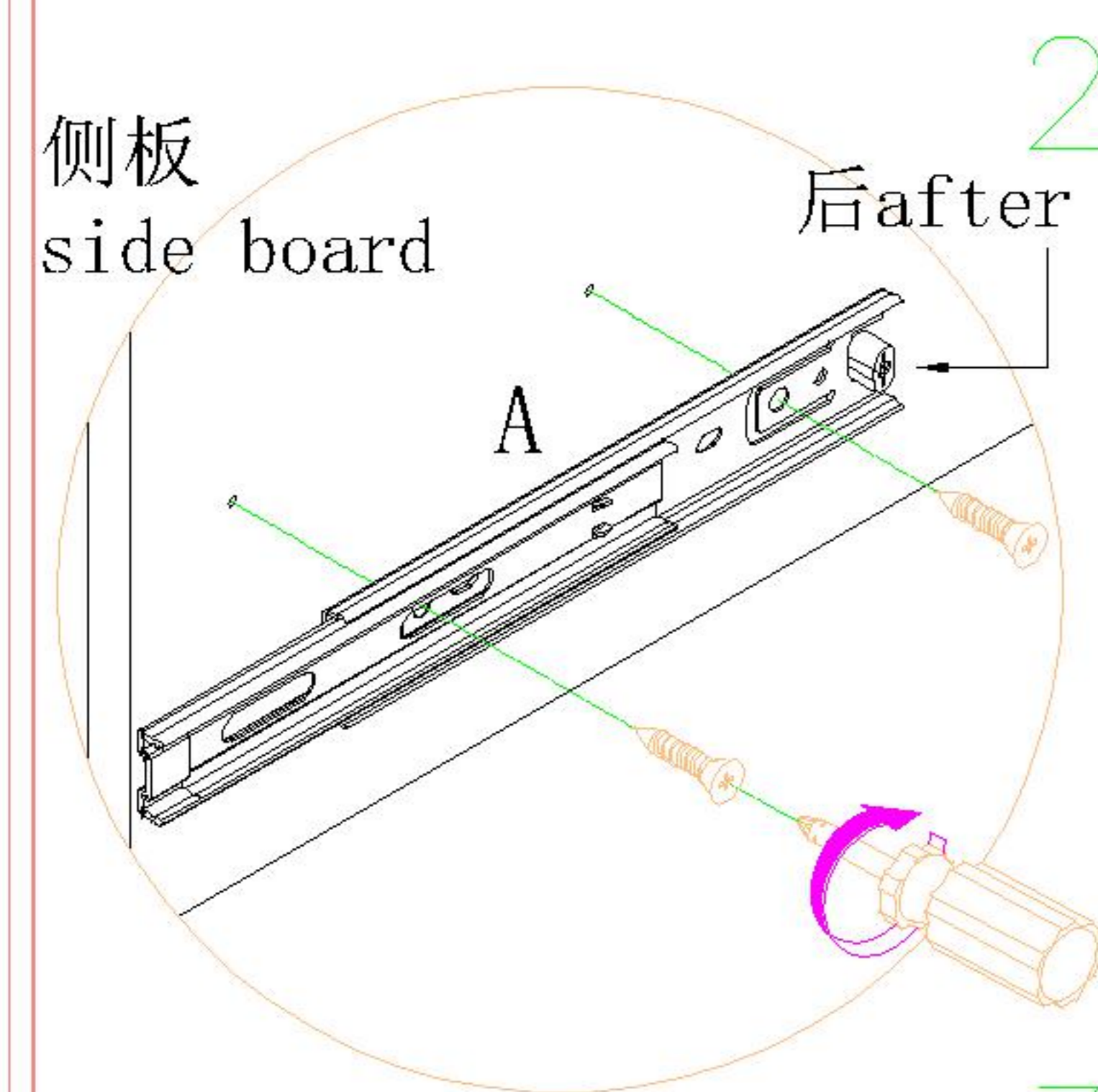
安装方法/  
Installation method

阀门开关(下压为开)  
Valve switch  
(press down to open)

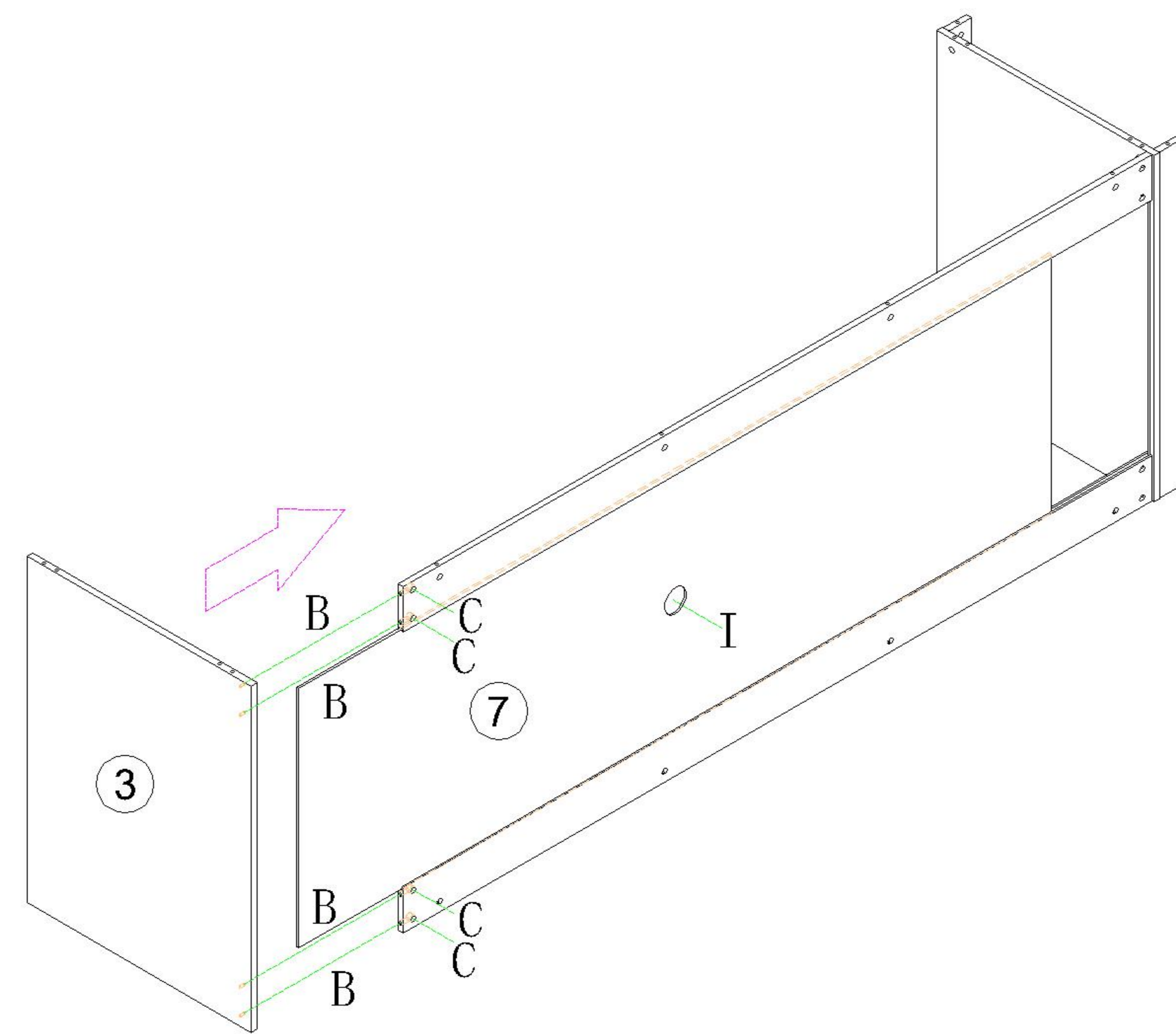
1



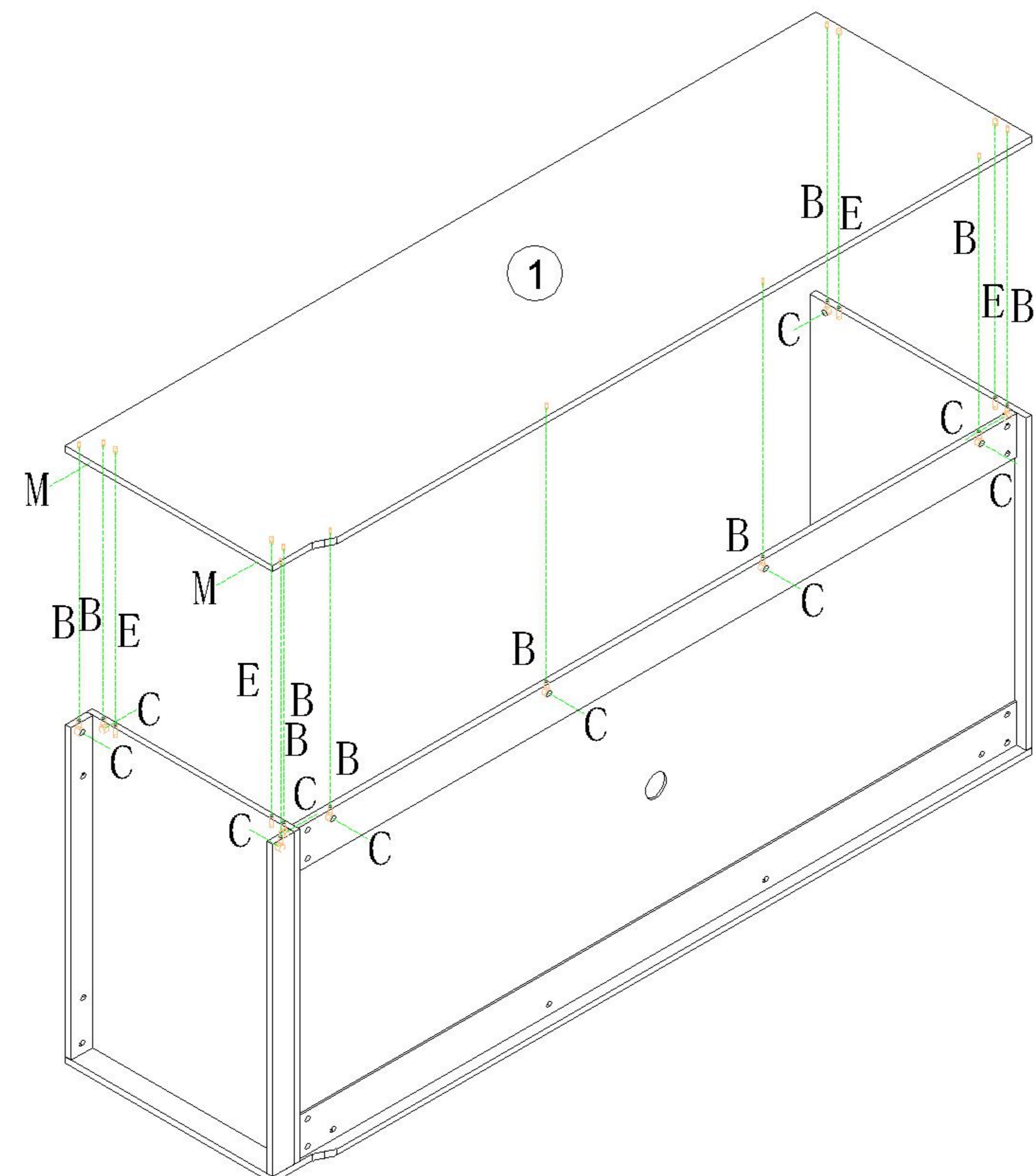
注: 先将A与B拆下来  
Note: remove a and B first



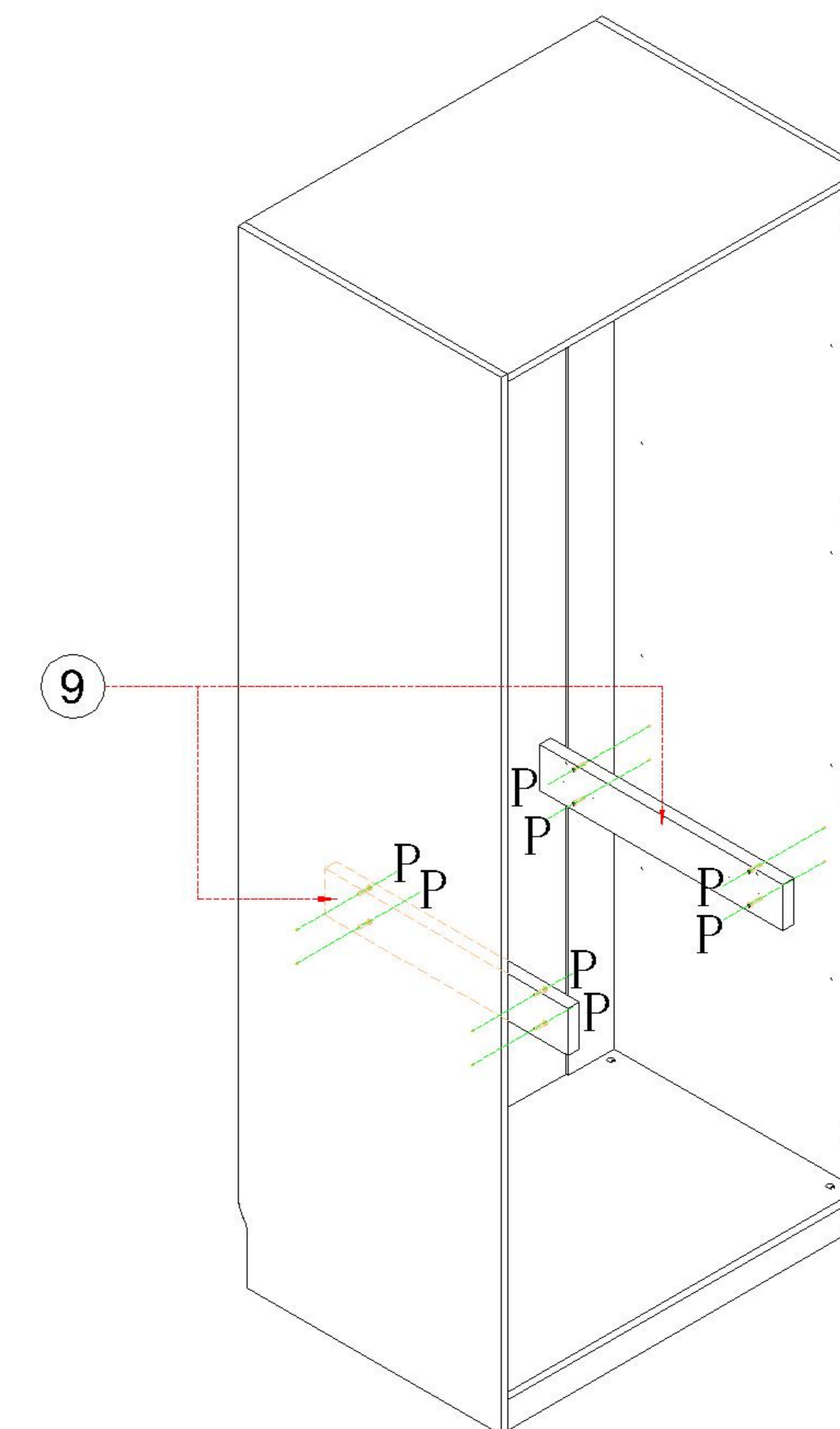
- (B)\*4
- (C)\*4
- (I)\*1



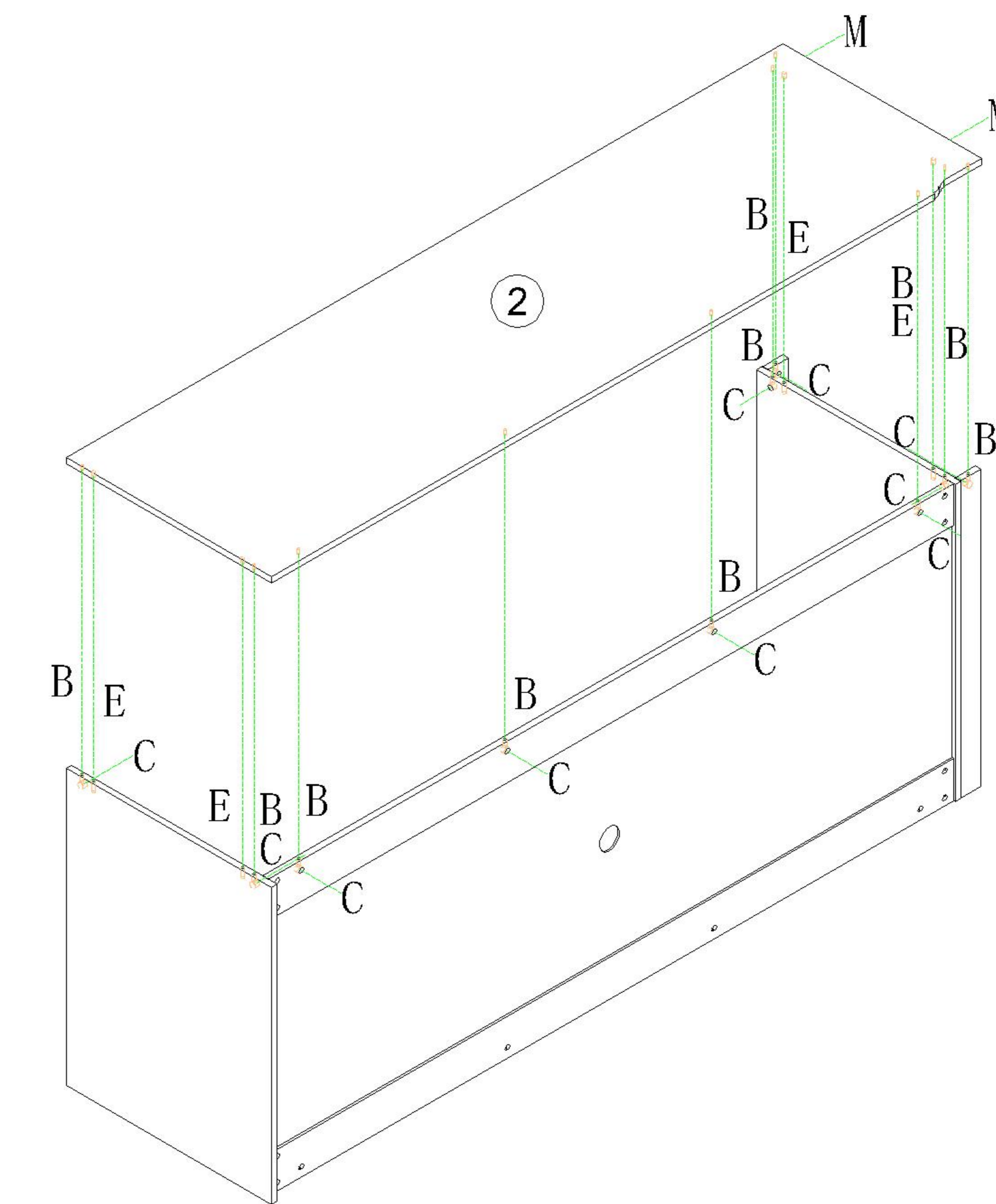
- (B)\*10
- (C)\*10
- (E)\*4
- (M)\*2



- (P)\*8



- (B)\*10
- (C)\*10
- (E)\*4
- (M)\*2



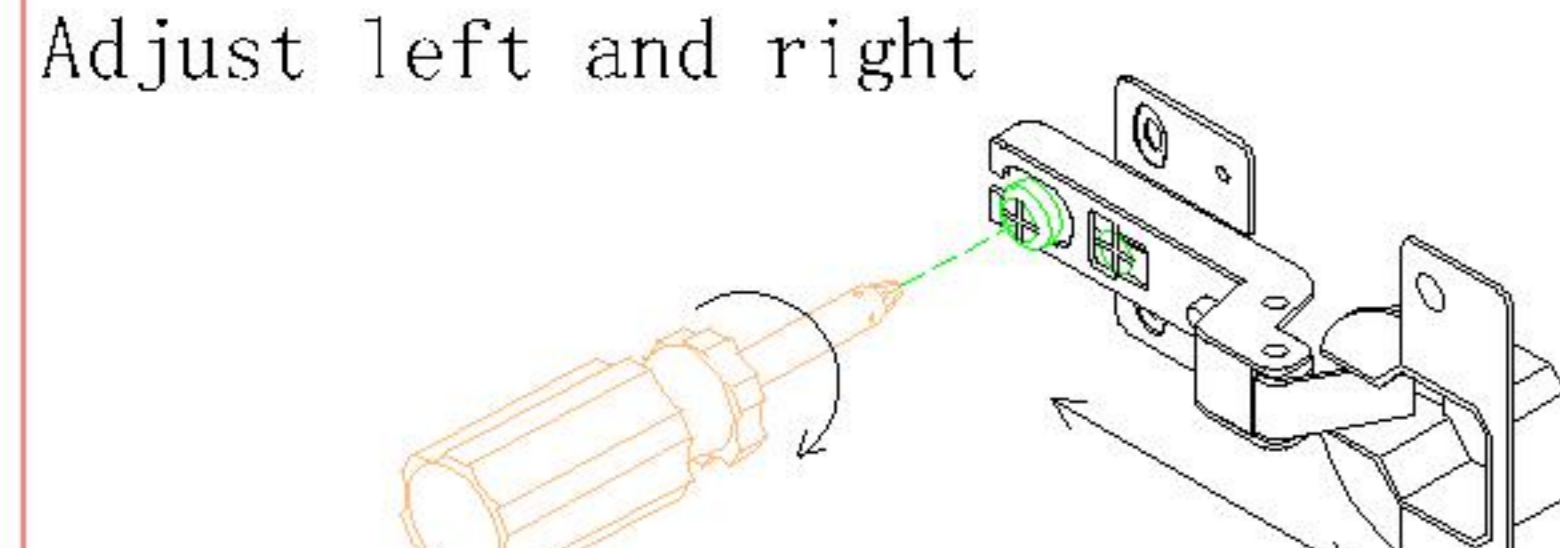
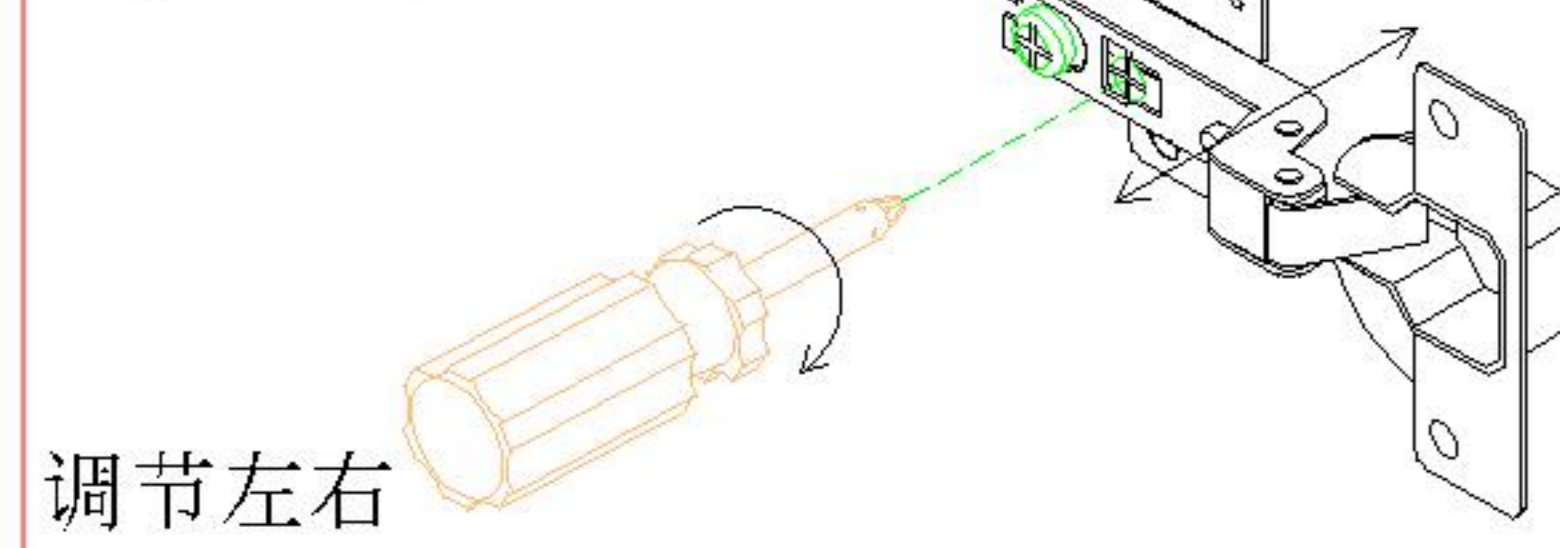
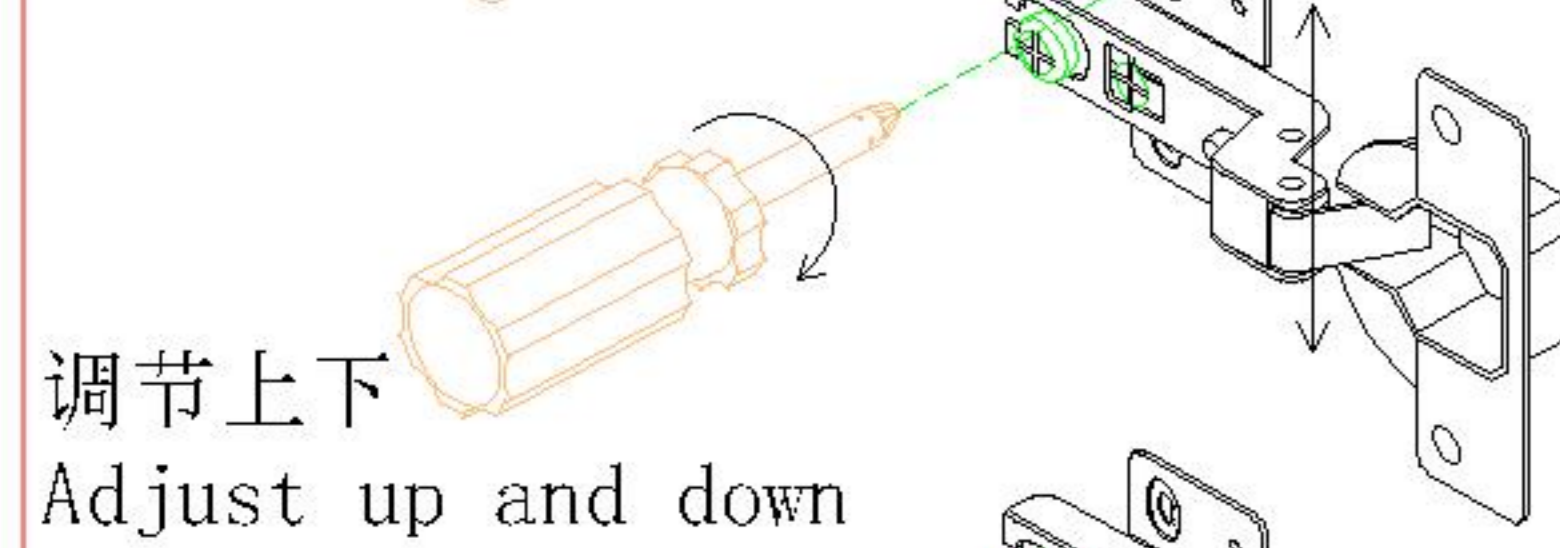
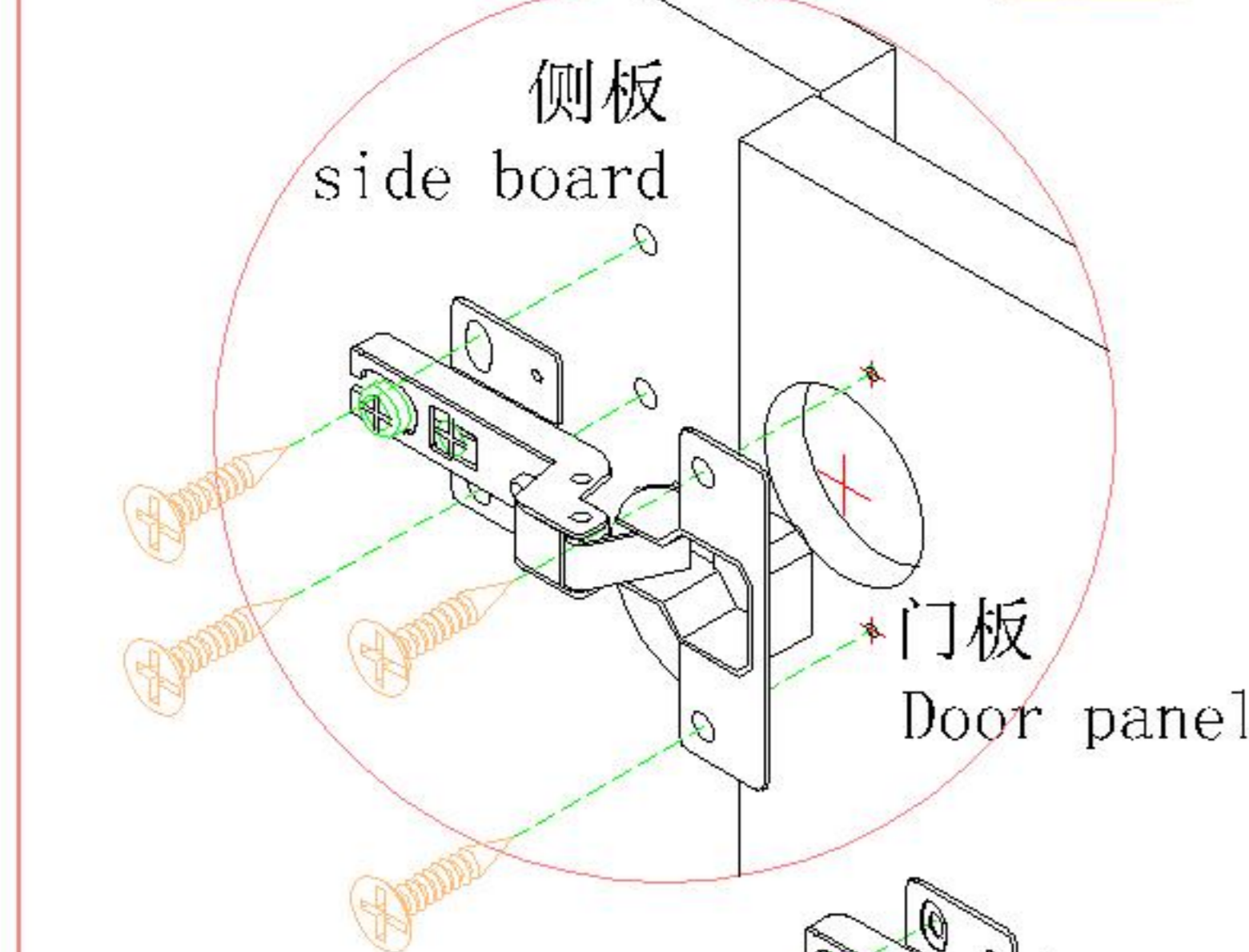
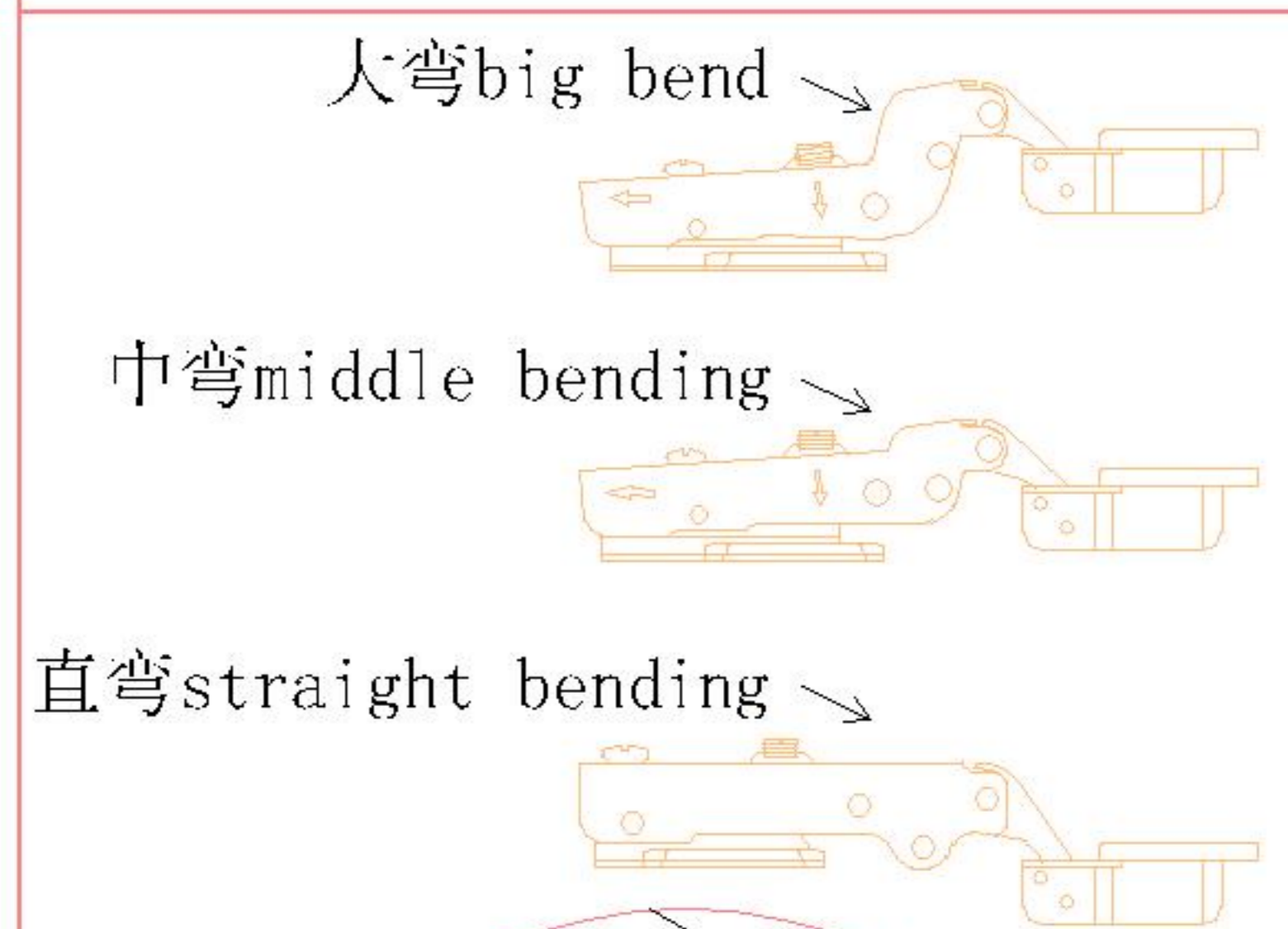
6

8

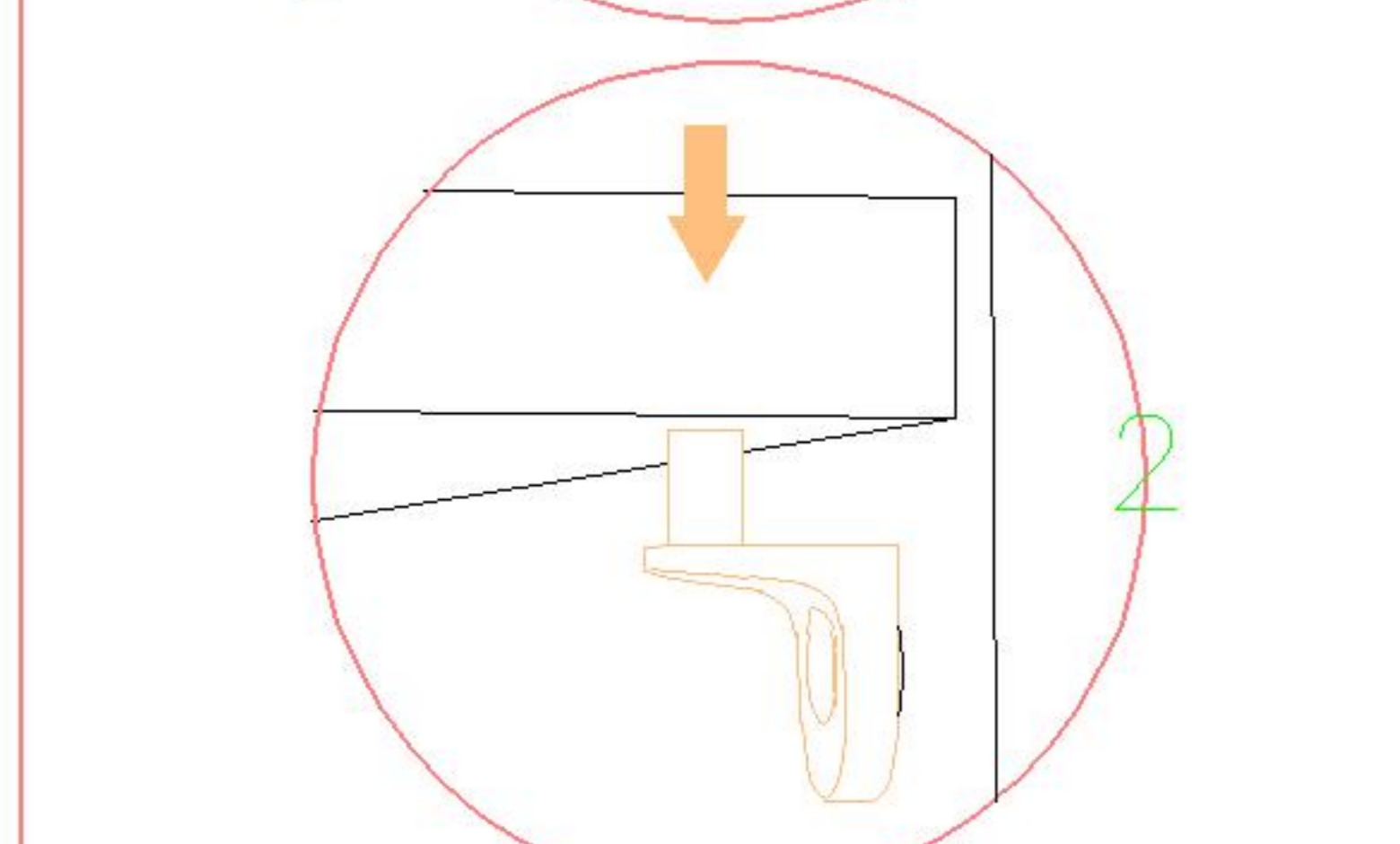
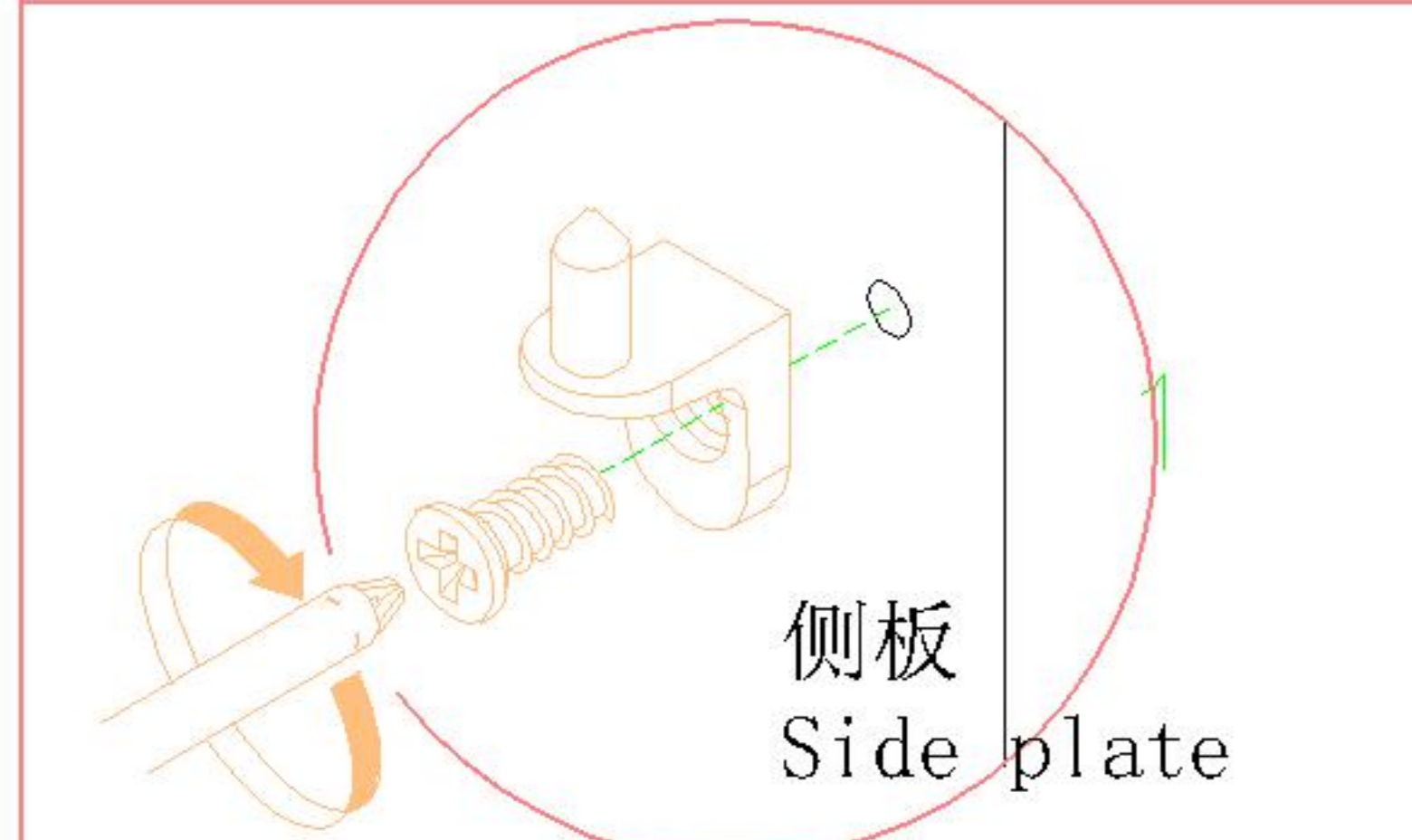


TE8D-A (玻璃衣柜)

安装方法/  
Installation method



门铰  
Hinge



层板托5mm  
shelf support

(A)\*8



(L)\*4



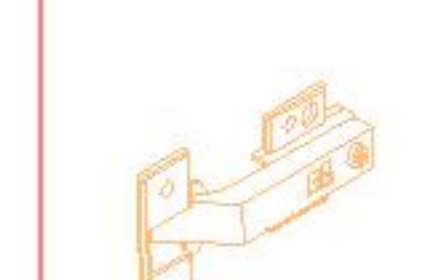
(N)\*1



(G)\*2



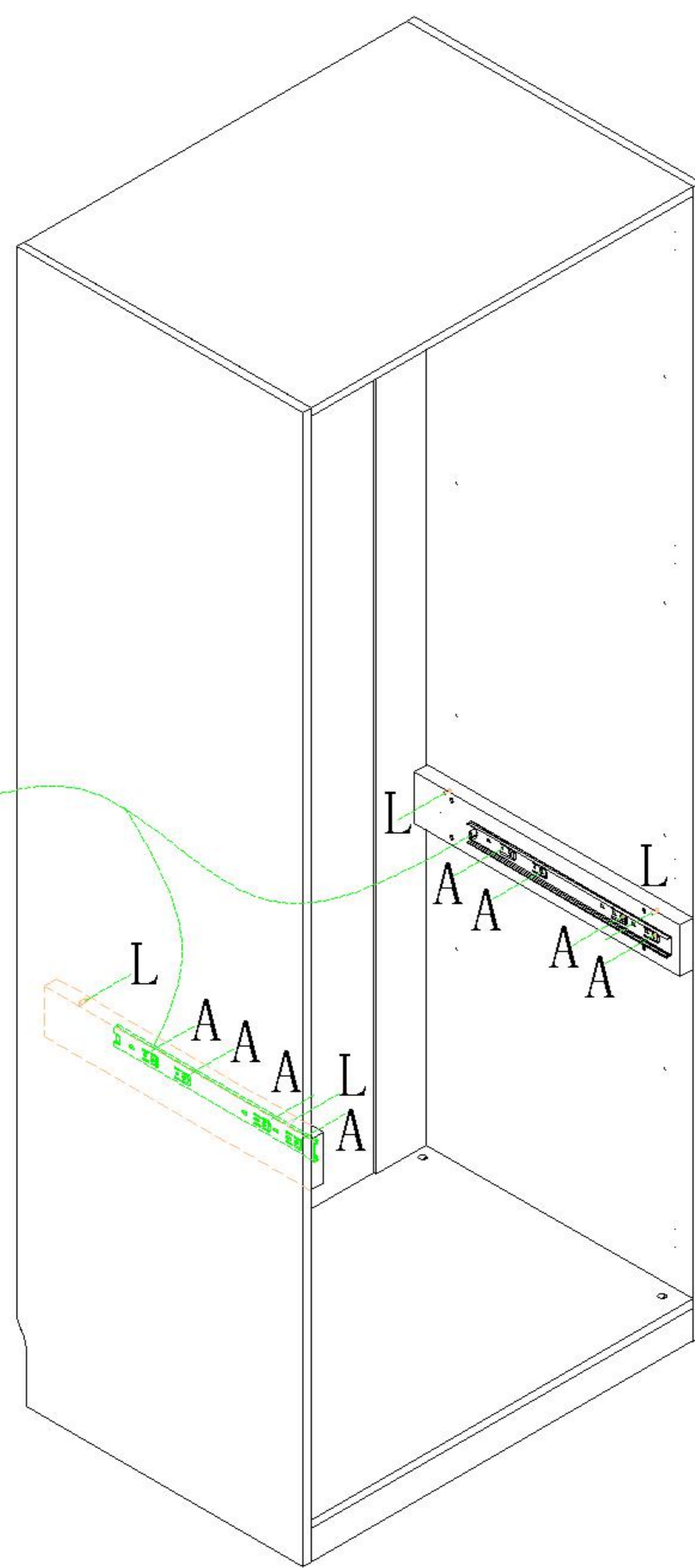
(H)\*2



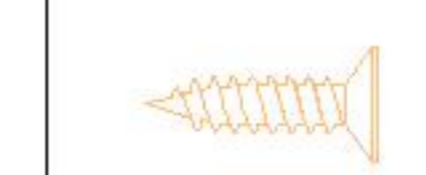
(K)\*8



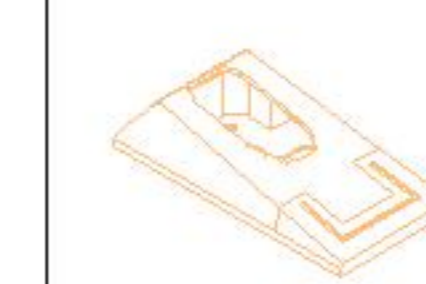
N 主轨  
Main rail



9



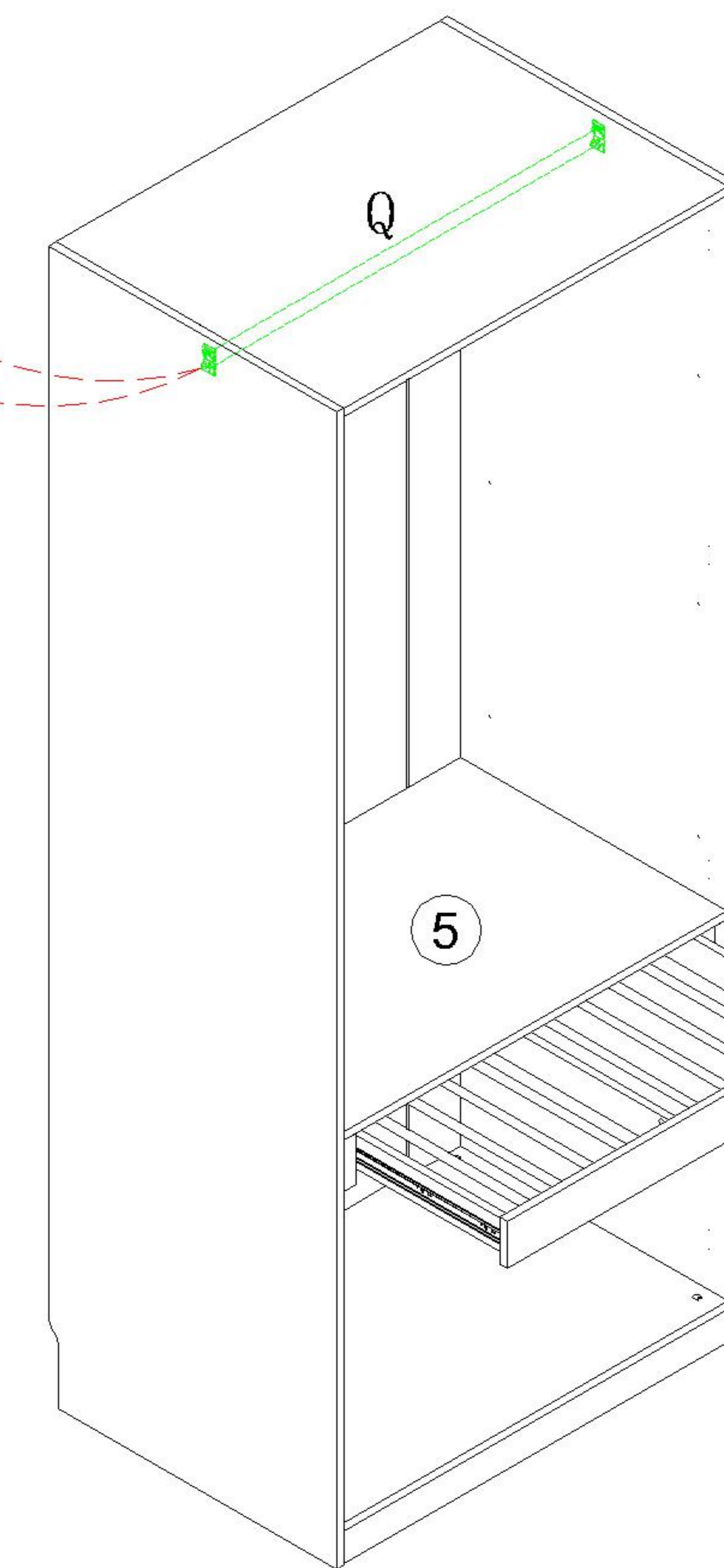
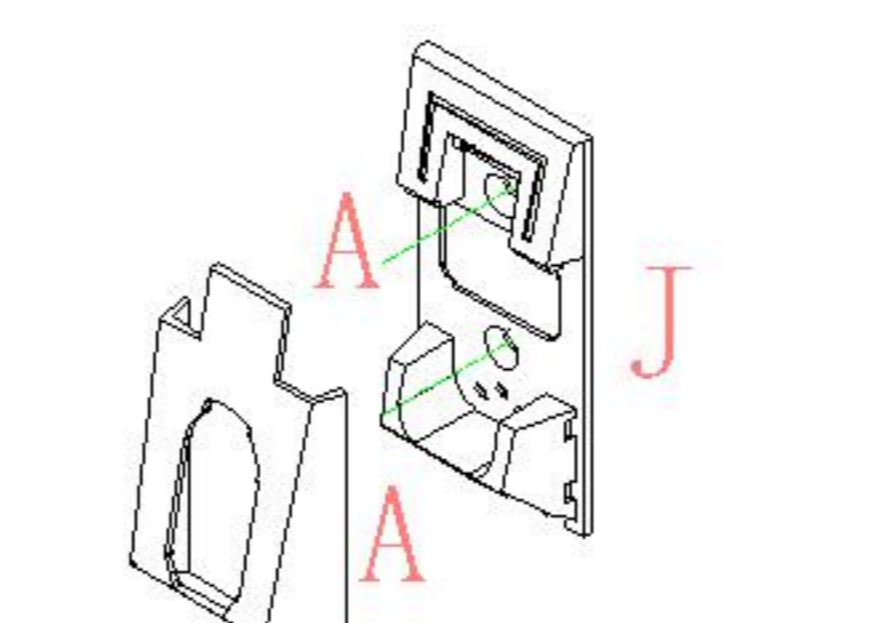
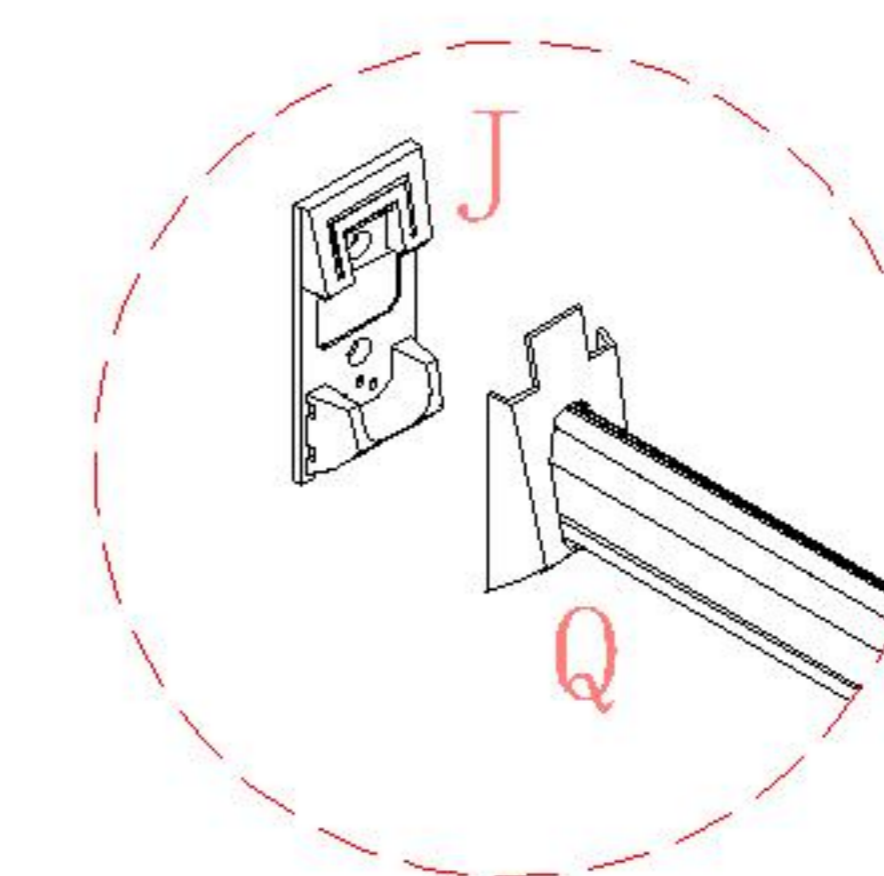
(A)\*4



(J)\*2



(Q)\*1

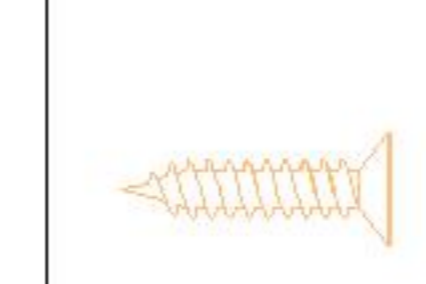


10

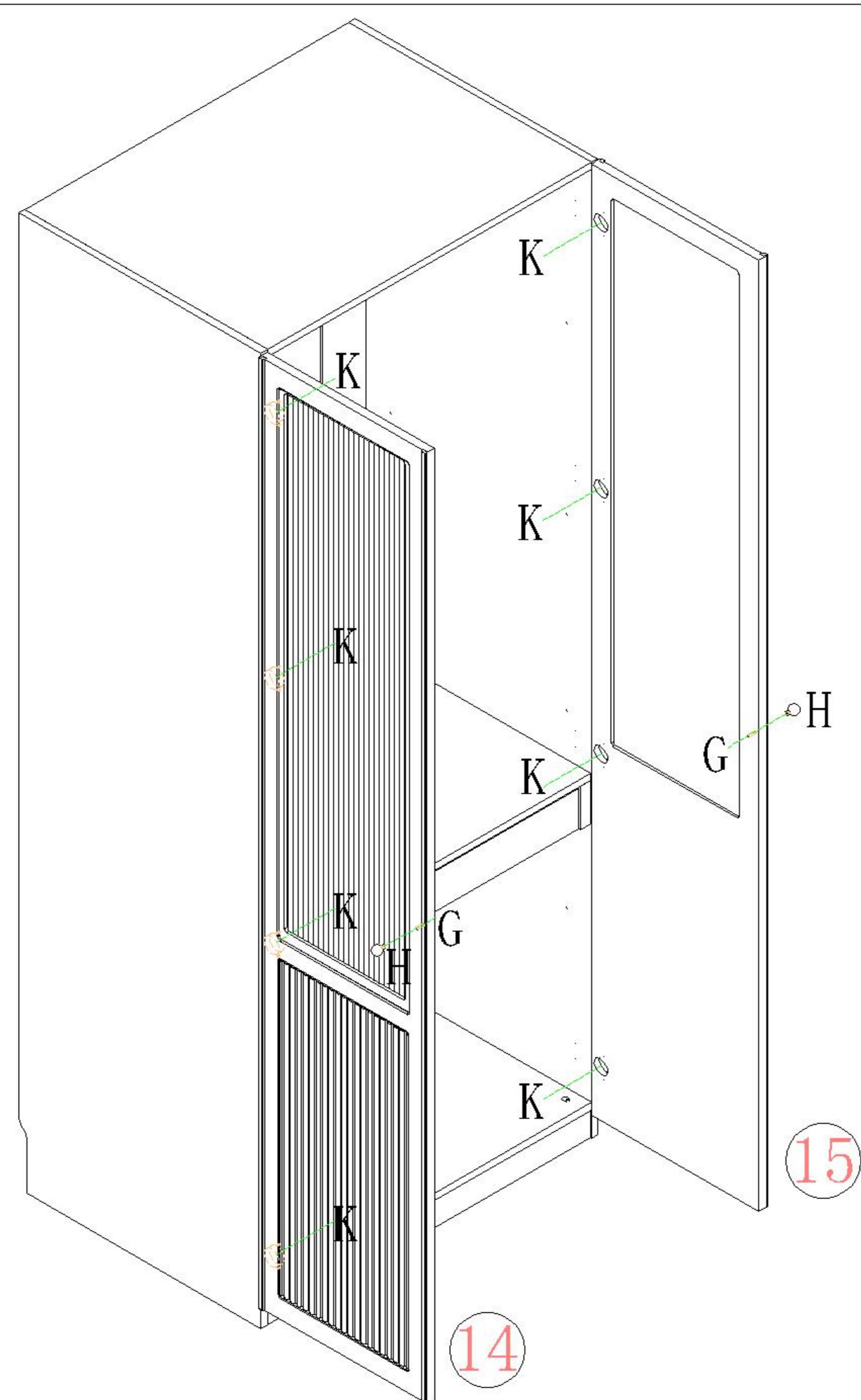
11



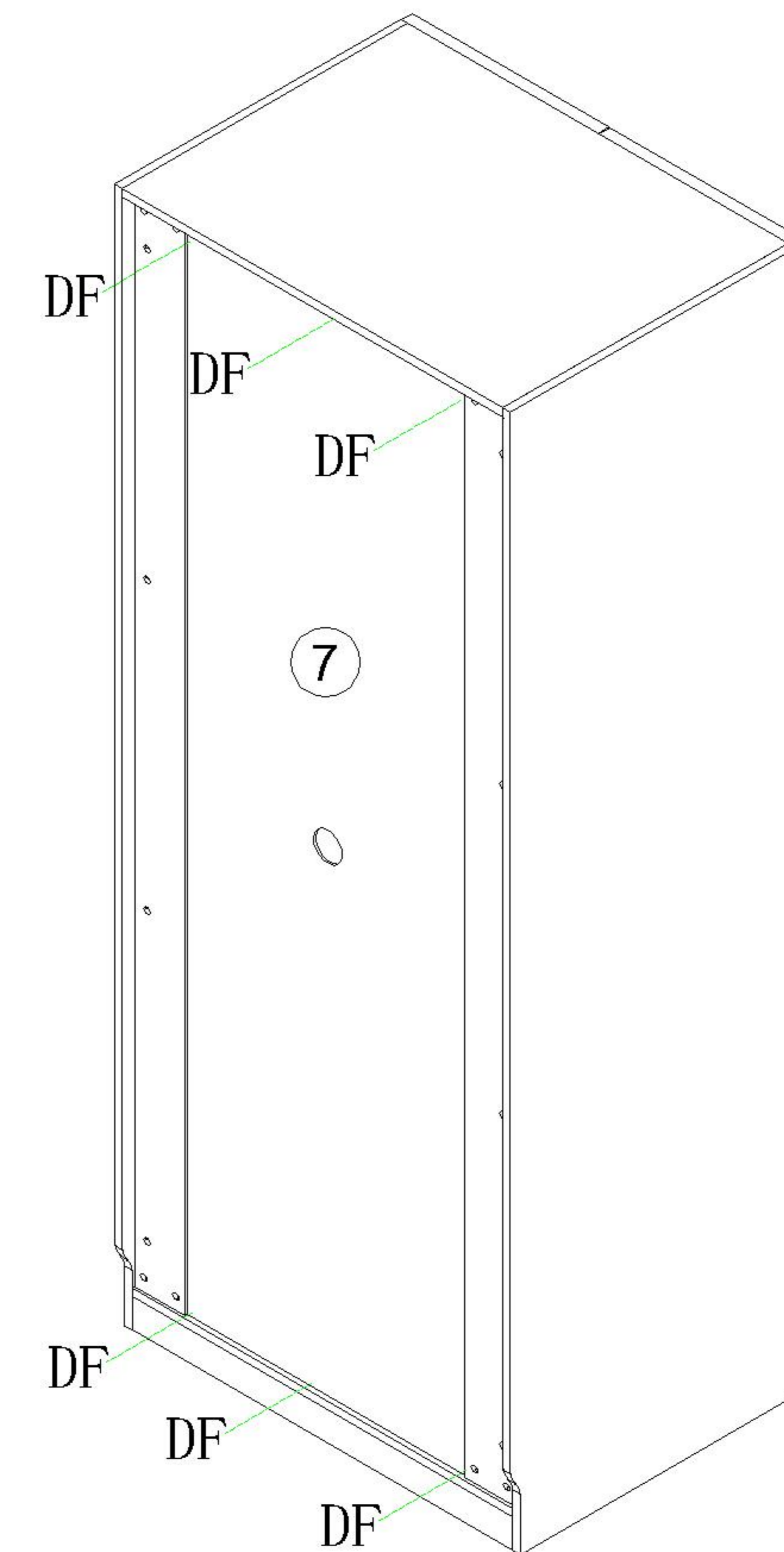
(D)\*6



(F)\*6



12



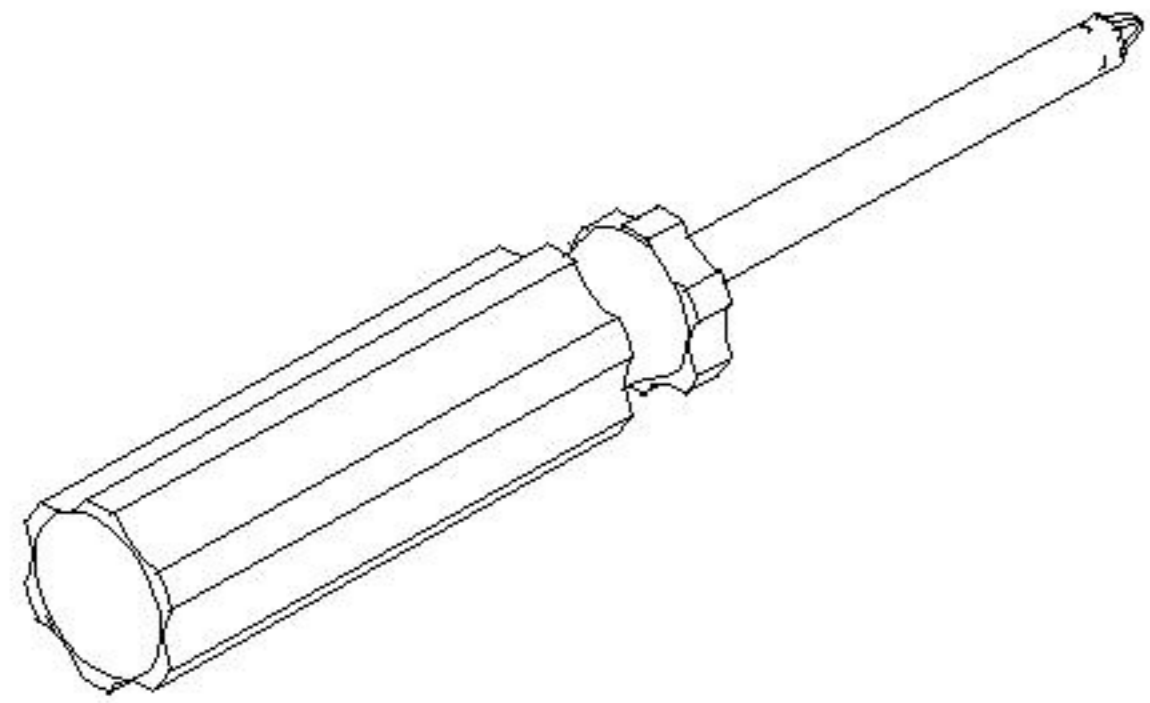
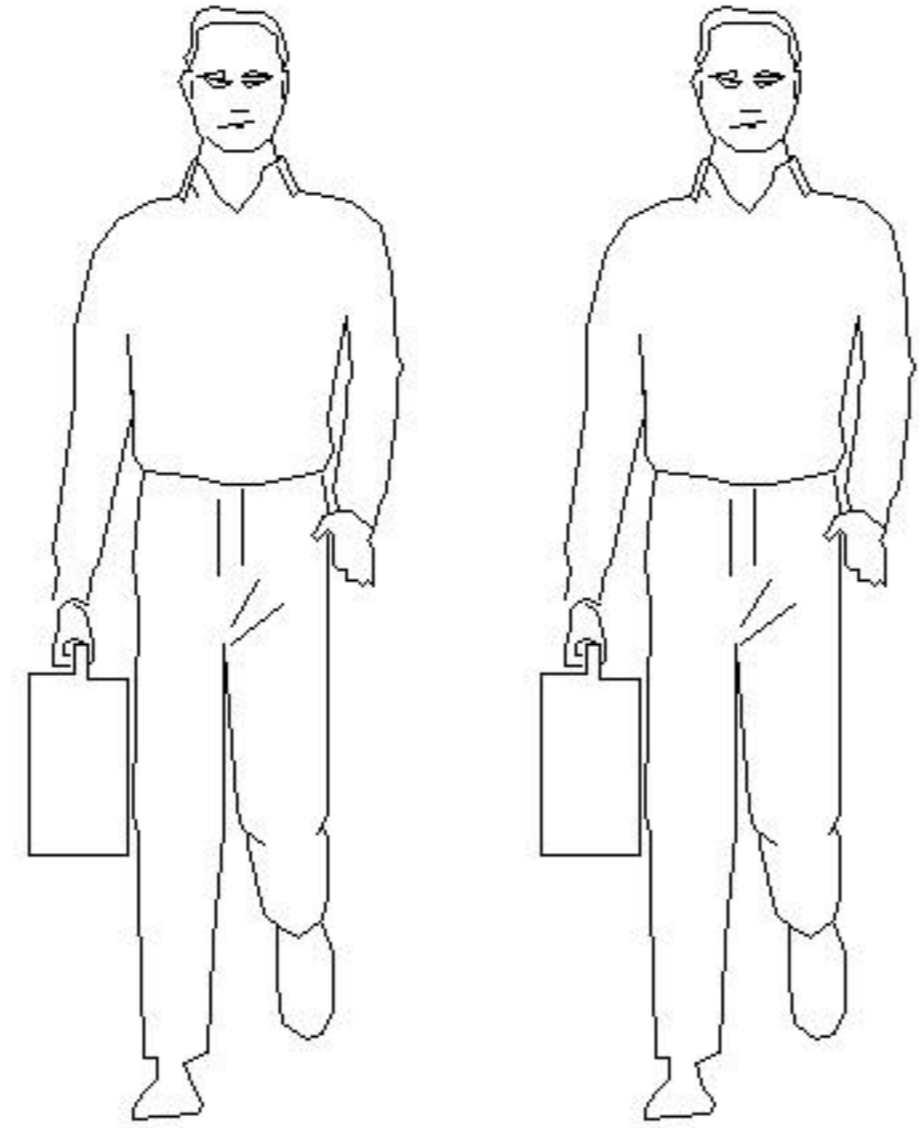


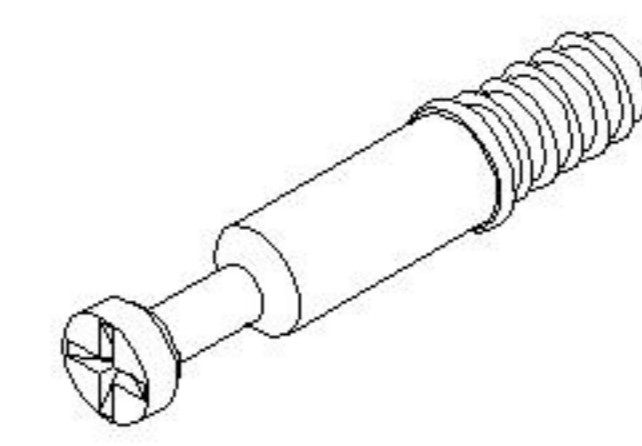
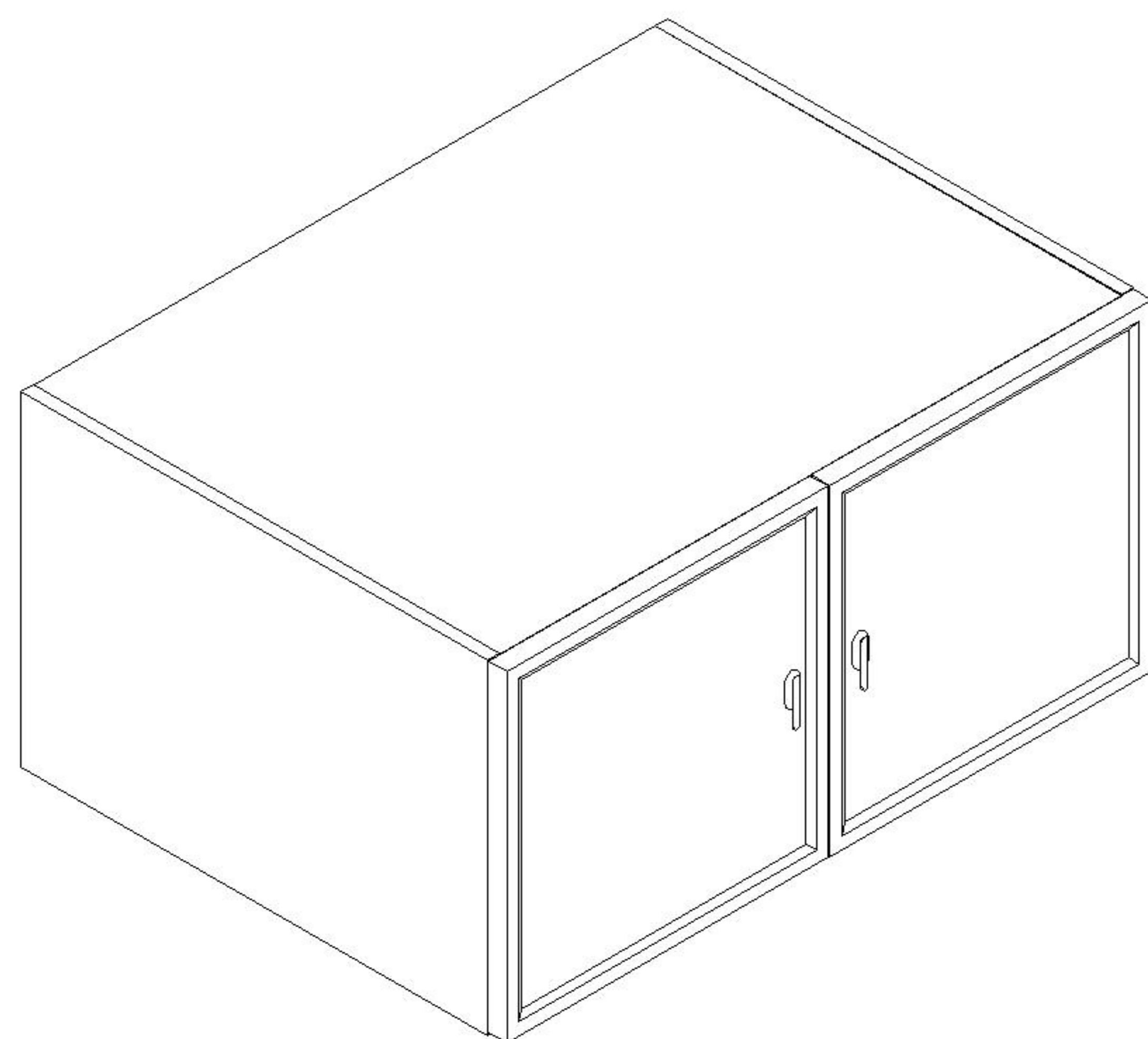
# LINSY 林氏家居

## 五金表/Hardware list

## 部件表/Parts List

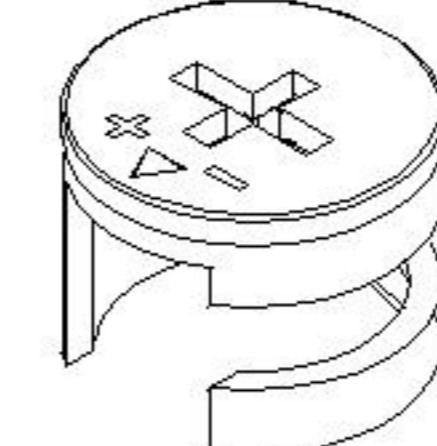
### 安装示意图/Assembly Instruction

产品名称 Model NO.	T07D-A1
产品规格 Specification	796*612*400 mm
安装工具 Tool	安装人数 Installer
	



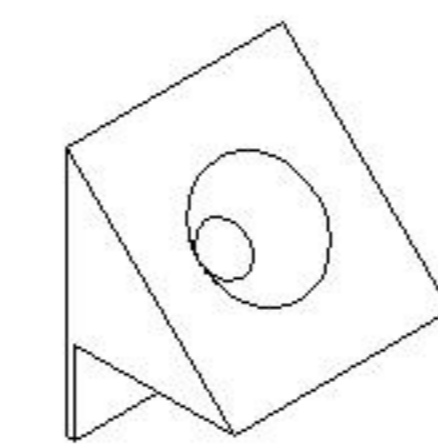
(A)\* 8

二合一螺杆  
2-in-1-screw



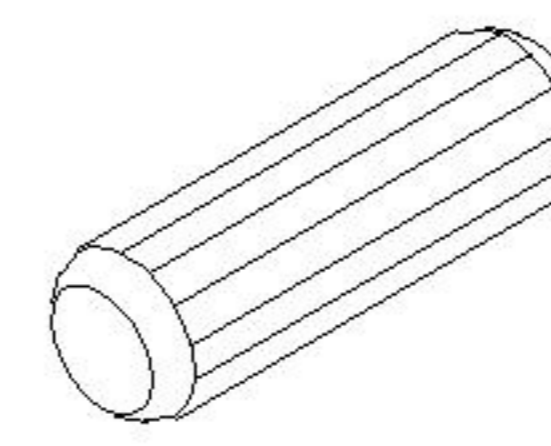
(B)\* 8

大三合一锁饼  
Three-in-one large lock



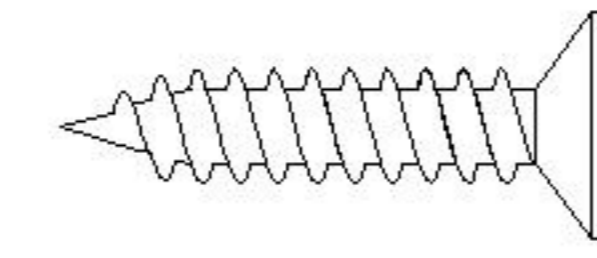
(C)\* 4

背板扣  
Back Plate Buckle-White



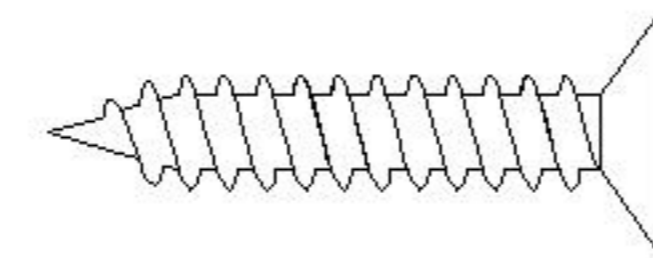
(D)\* 8

木榫Ø8x30mm  
wood tenon



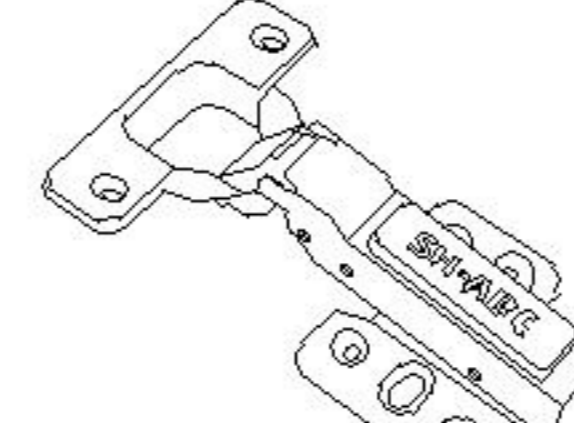
(E)\* 4

自攻螺丝M3.5x16mm  
Self-tapping screw



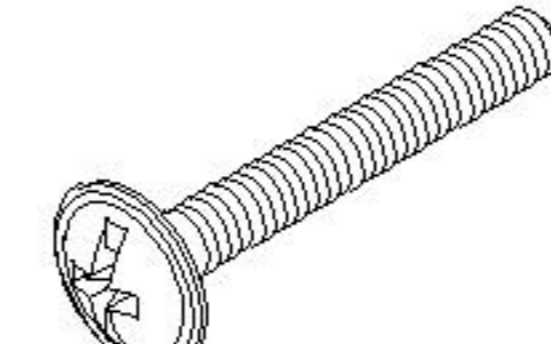
(F)\* 4

自攻螺丝M1x25mm  
Self-tapping screw



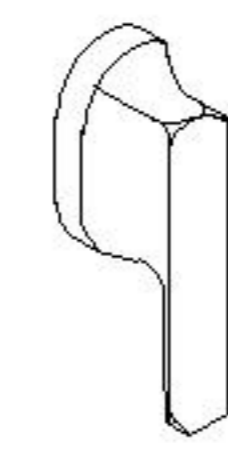
(G)\* 4

缓冲门铰中弯-杯径Ø40  
Hinge-middle bending-diameter 40



(H)\* 2

拉手螺丝-M1x22mm  
pulling screw



(I)\* 2

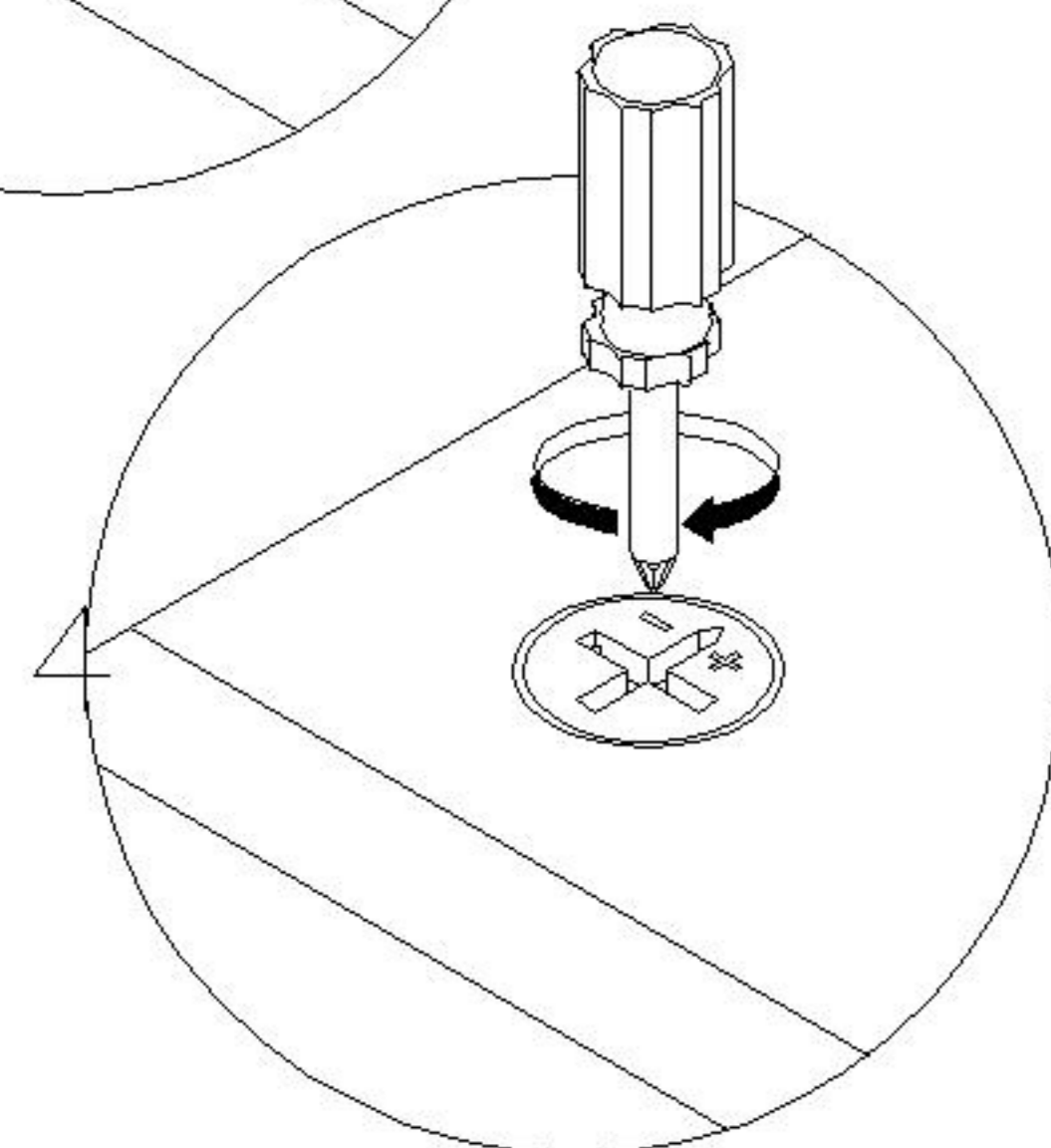
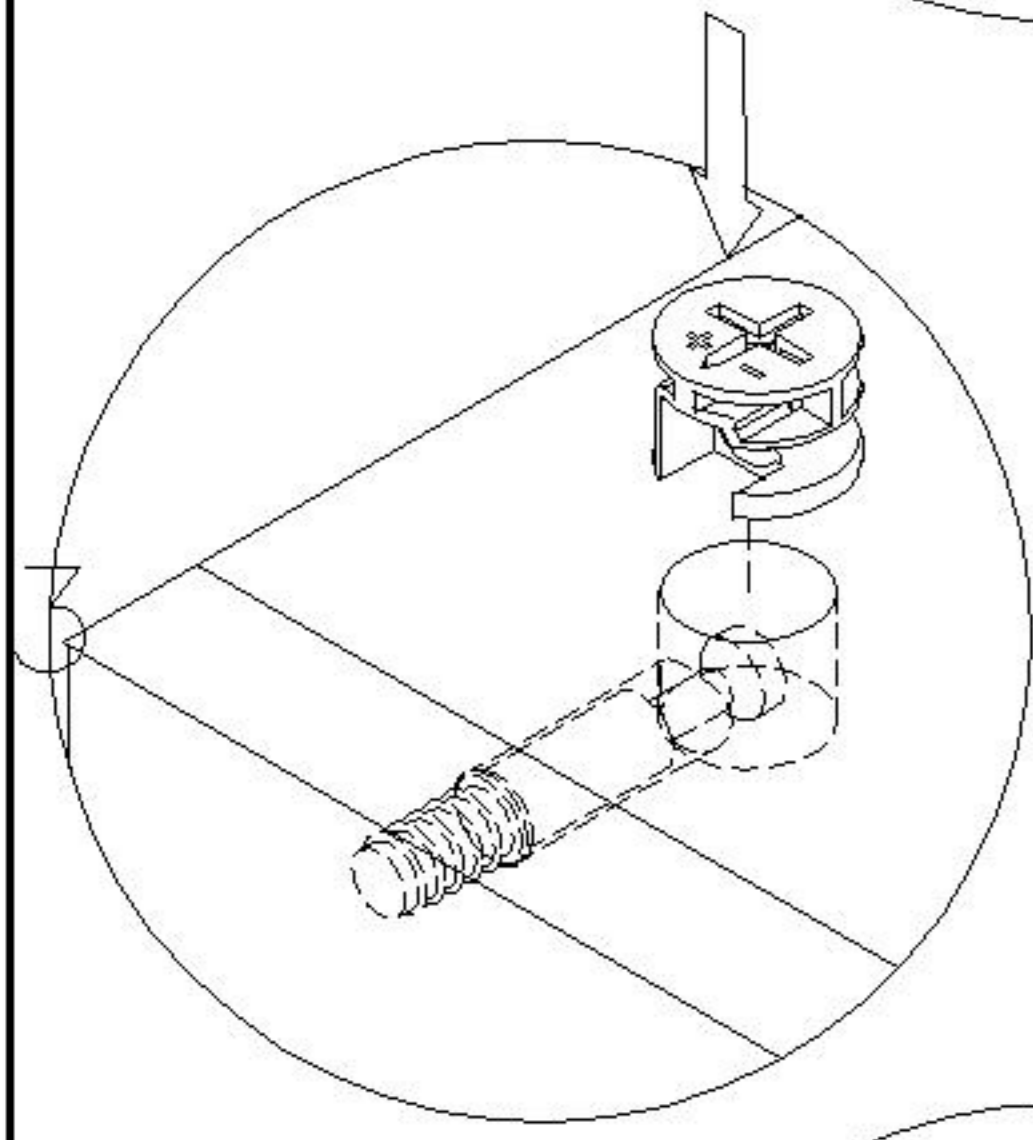
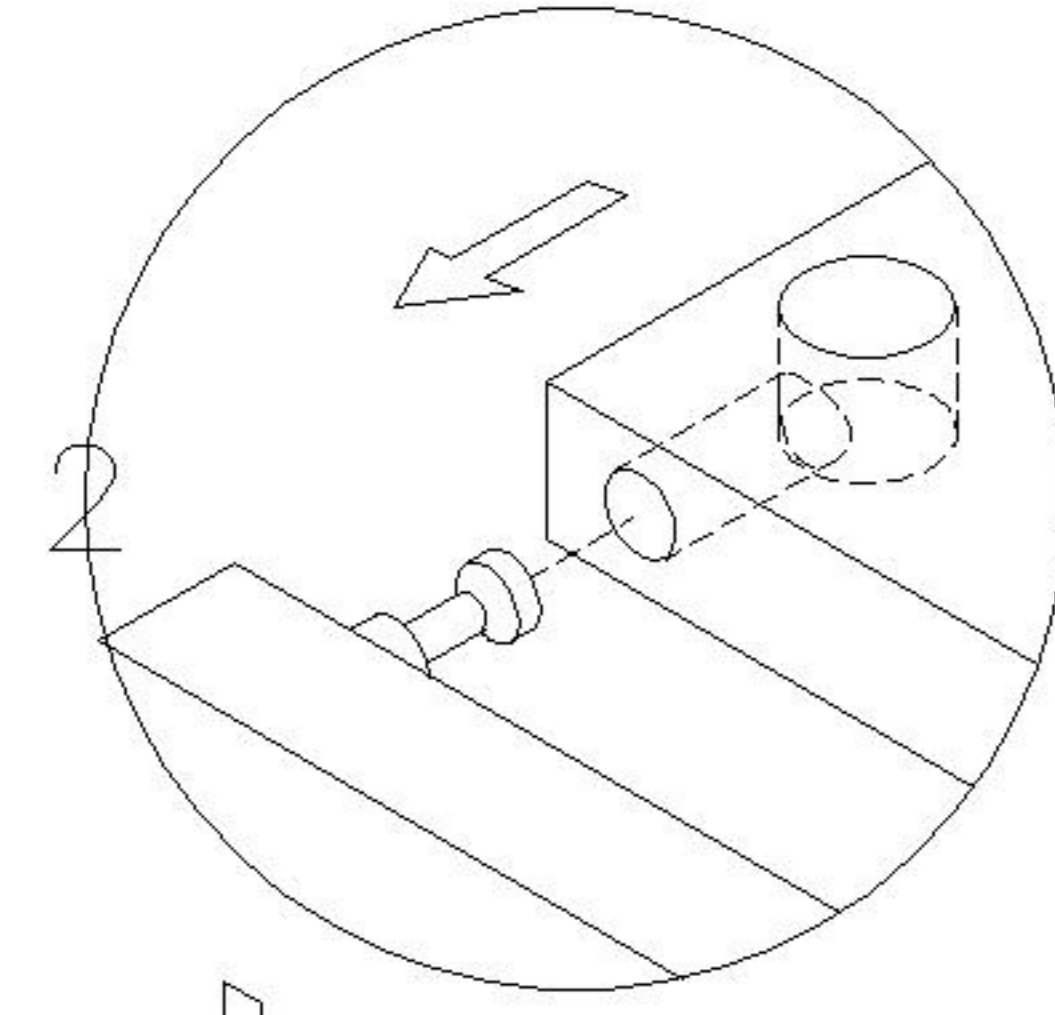
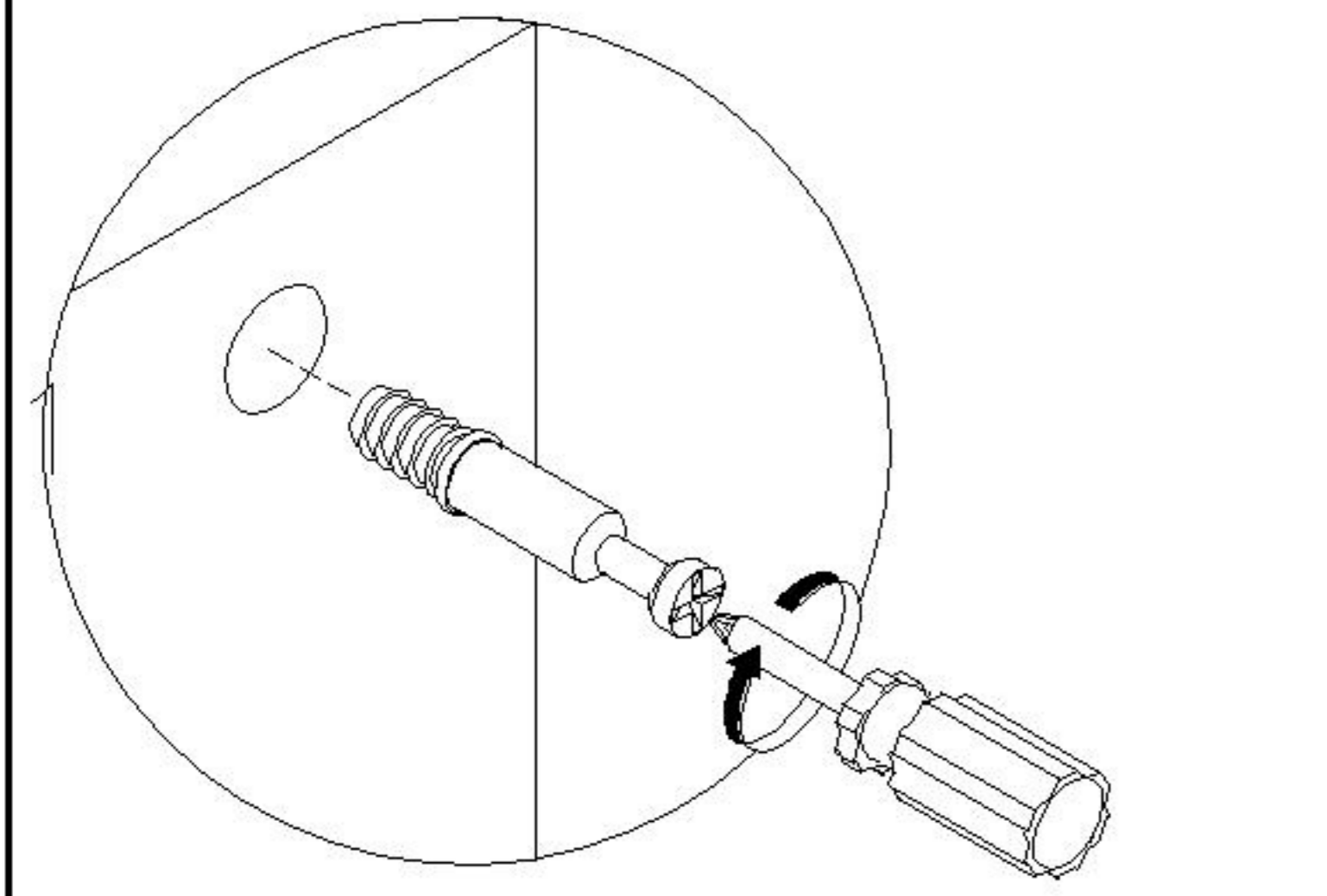
拉手  
Handle

编号NO.	名称Name	规格 (mm) Specification	数量QTY	材质Material
①	面底板Bottom board	766*574*15	2	三胺板Melamine
②	侧板Side board	400*574*15	2	三胺板Melamine
③	背板Back board	776*378*5	1	三胺板Melamine
④	门板Door board	396*396*23	2	吸塑板 Blister board

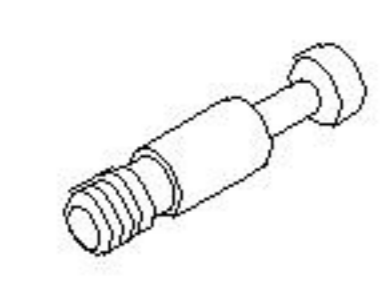


T07D-A1

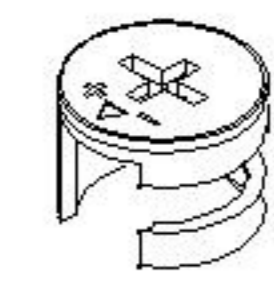
安装方法/  
Installation method



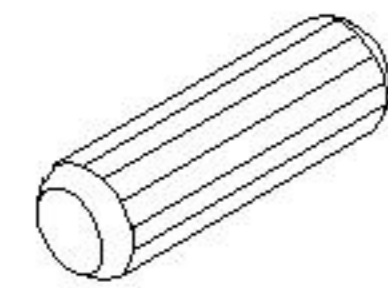
大二合一  
two-in-one



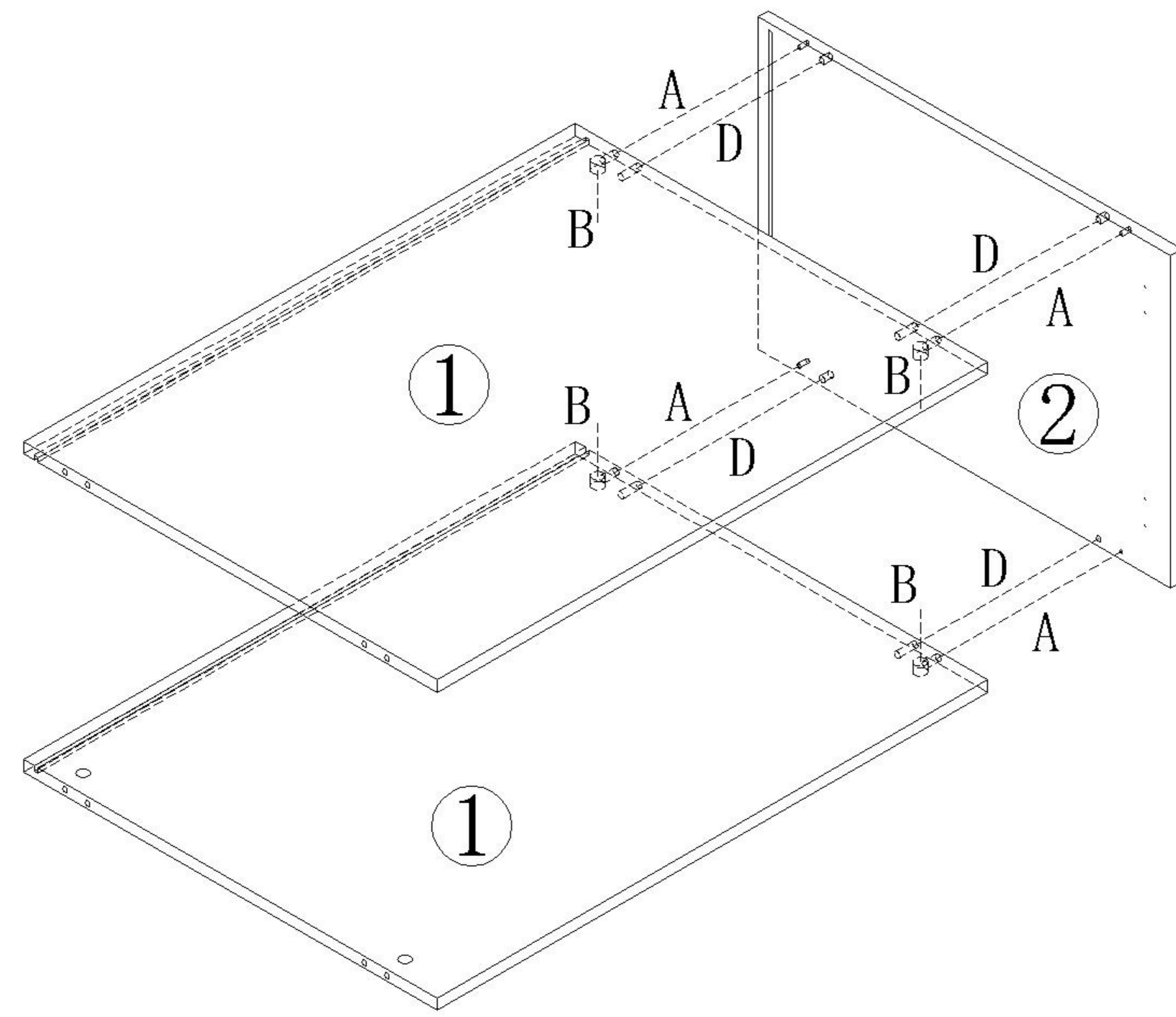
(A)\*4



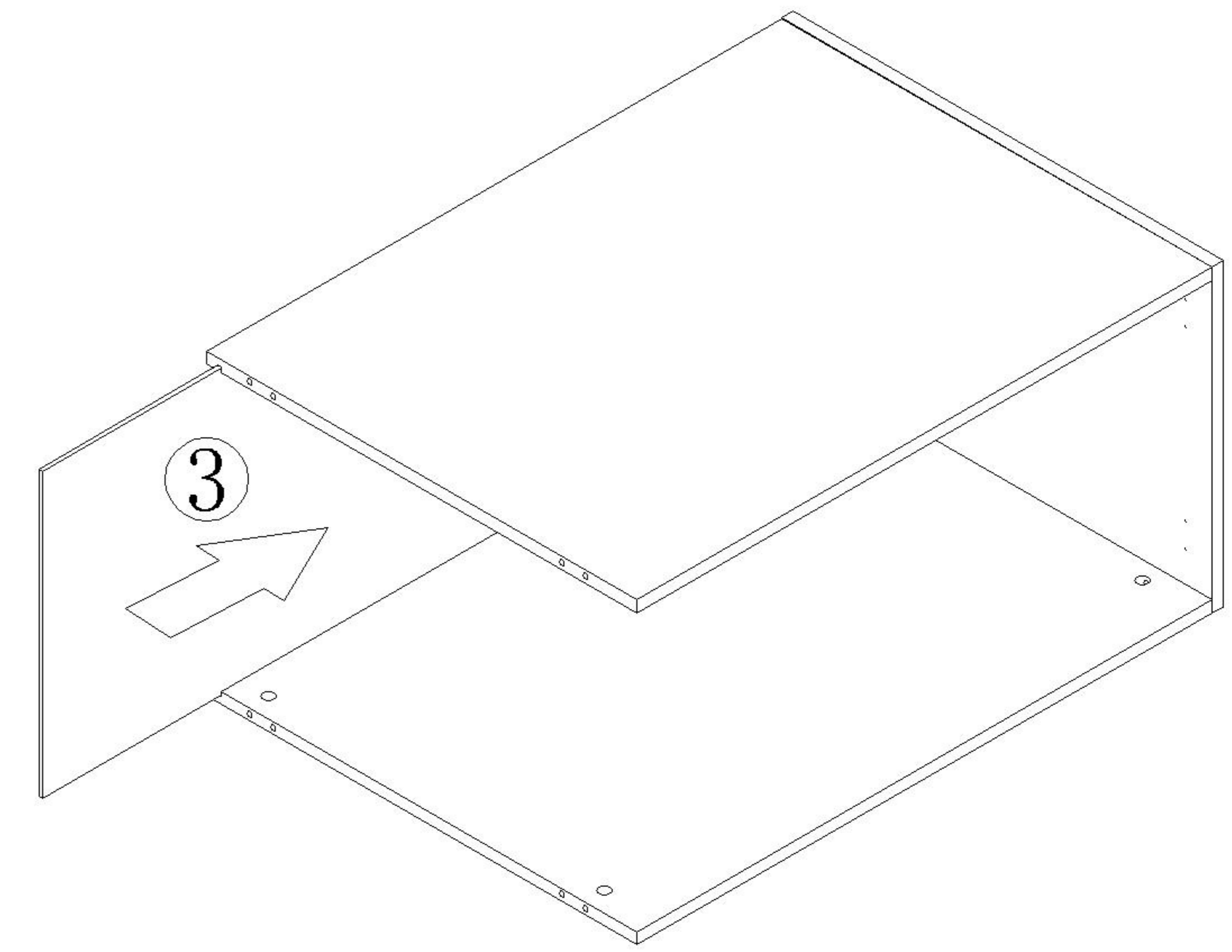
(B)\*4



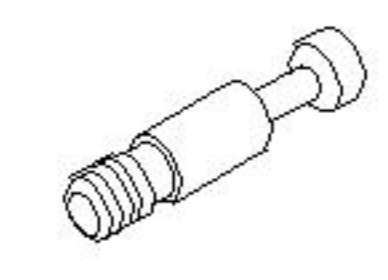
(D)\*4



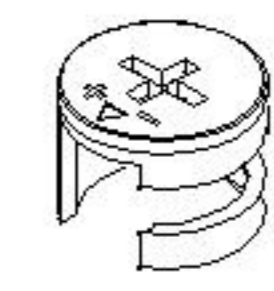
1



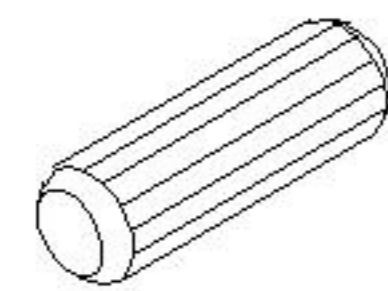
2



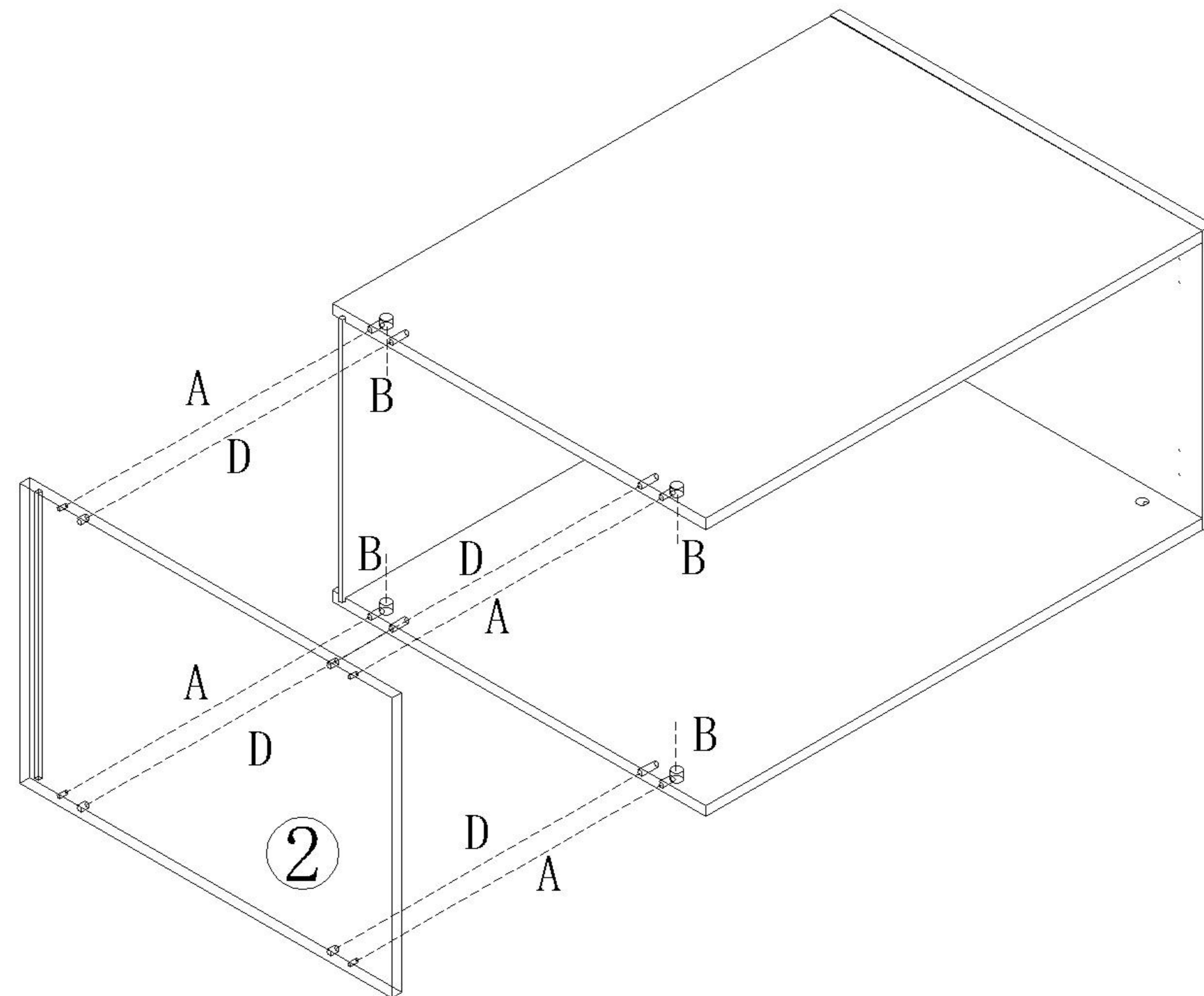
(A)\*4



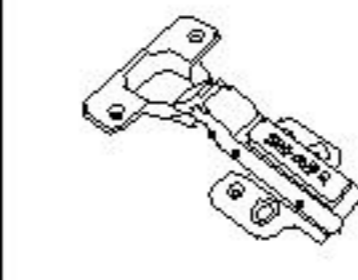
(B)\*4



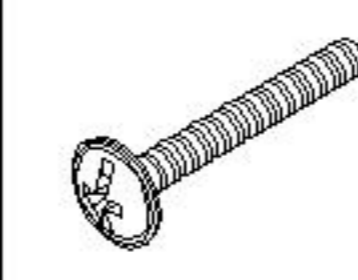
(D)\*4



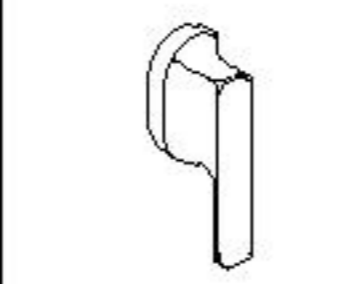
3



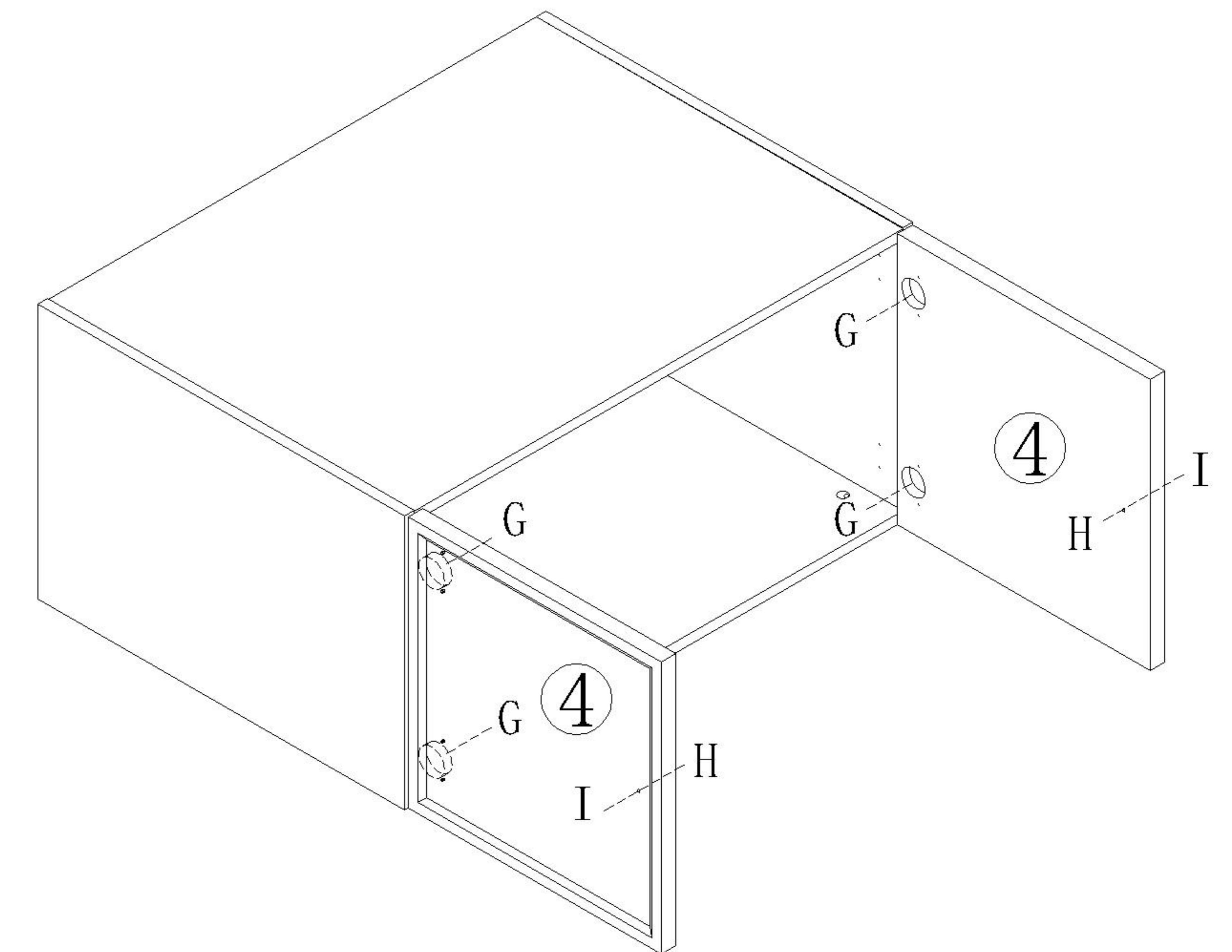
(G)\*4



(H)\*2



(I)\*2



4



T07D-A1

### 安装方法/ Installation method

大弯big bend

中弯middle bending

直弯straight bending

侧板 side board

门板 Door panel

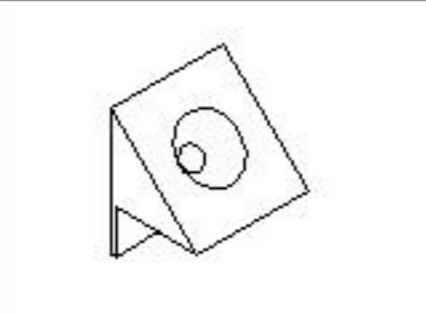
调节上下 Adjust up and down

调节左右 Adjust left and right

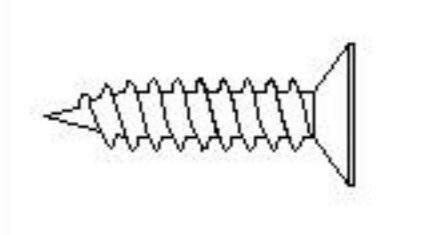
调节前后 Before and after adjustment

门铰 Hinge

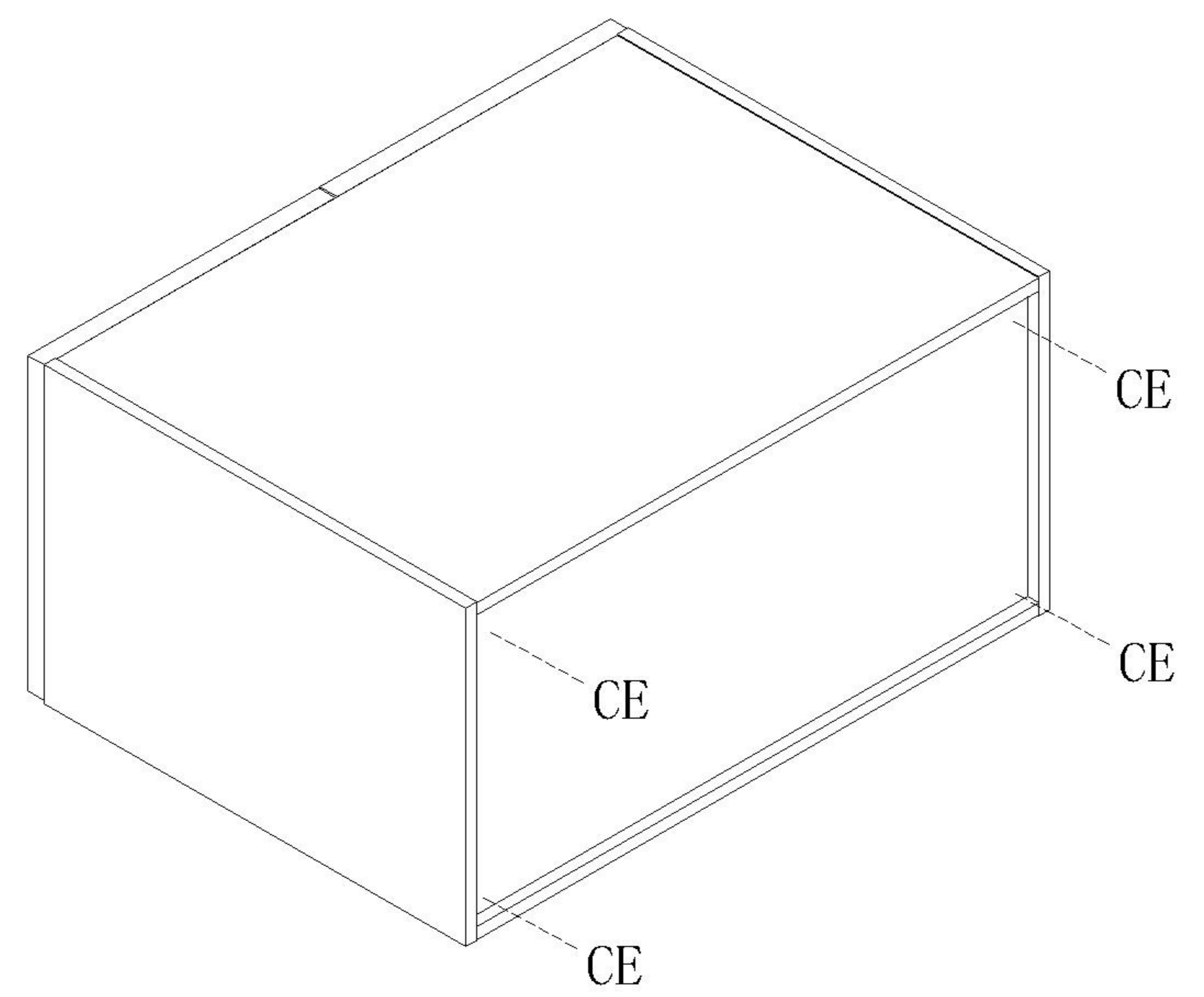
背板扣 Back Plate Buckle-White



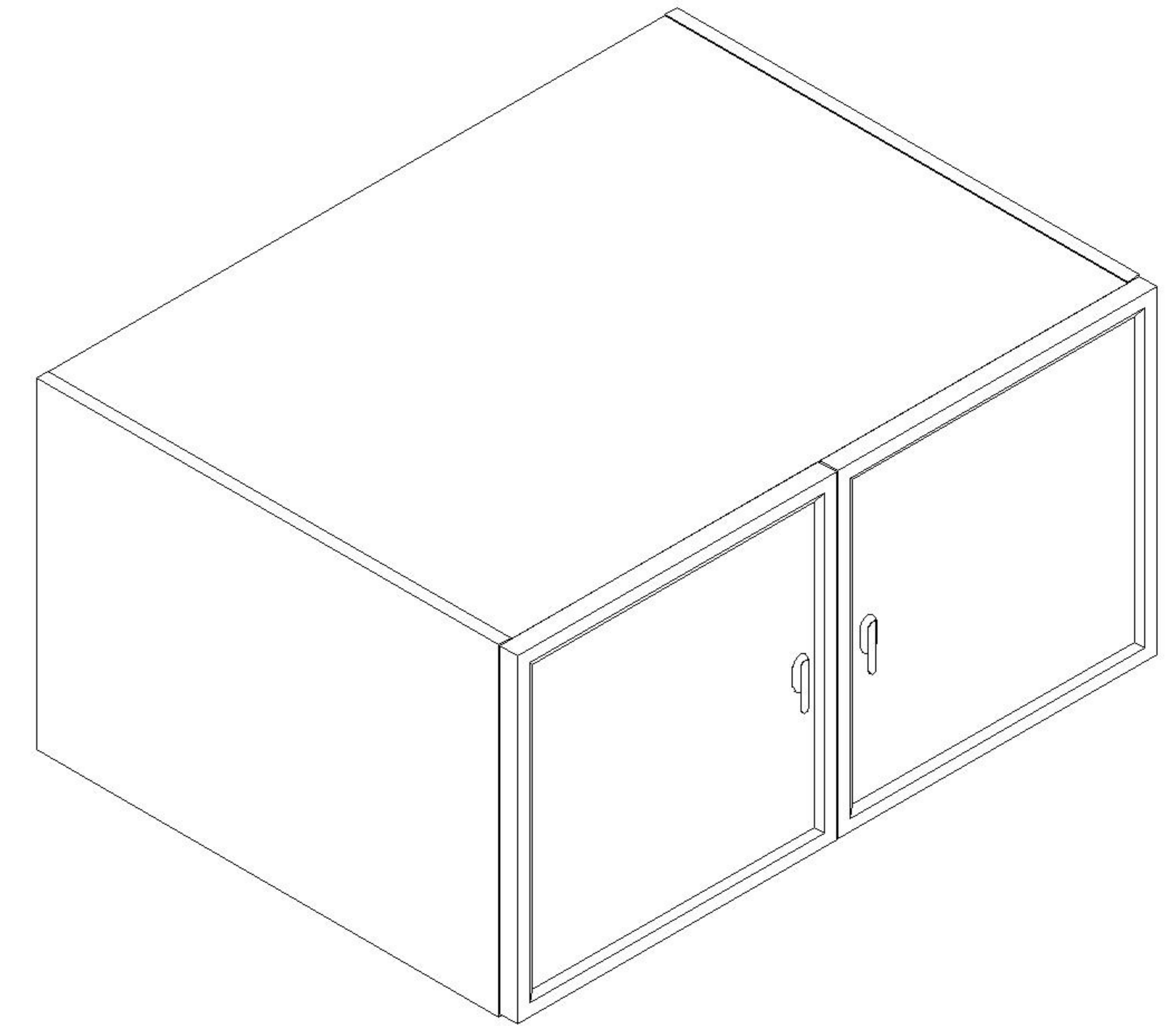
(C)\*4



(E)\*4

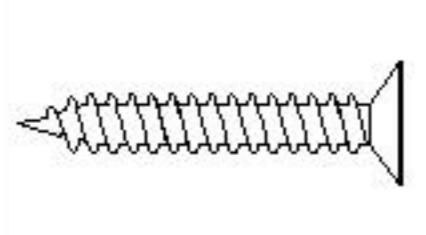


5

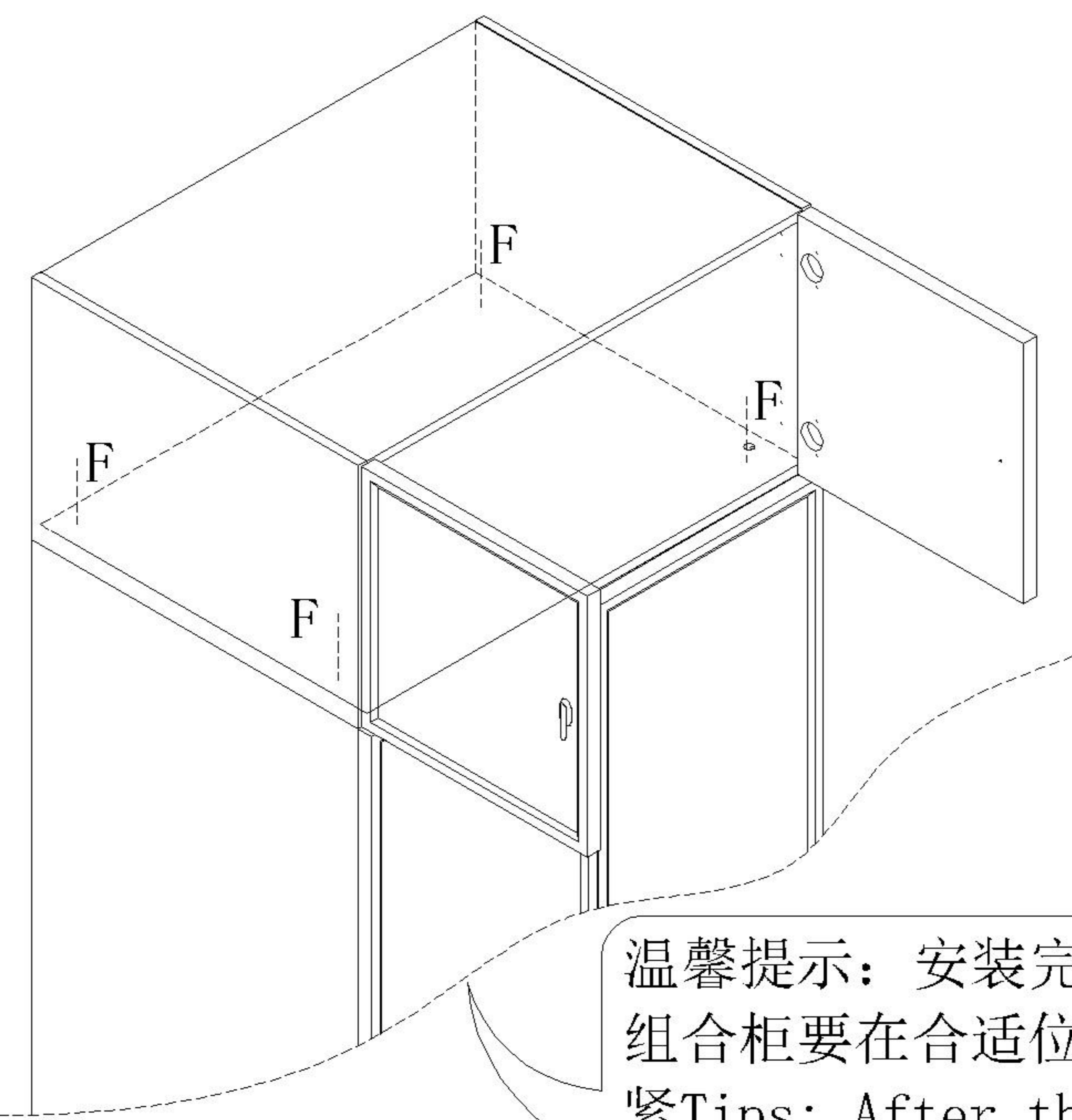


► 安装完成  
Installation is complete

6



(F)\*4



7

温馨提示：安装完成后，顶柜与组合柜要在合适位置用五金F锁紧  
Tips: After the installation, the top cabinet and the combination cabinet should be locked with hardware F at appropriate positions